

15/25kV	600A Deadbreak Connecting Plug	K651CP
---------	--------------------------------	--------



Features:

- 15/25kV 600A Deadbreak rated
- 100% peroxide-cured construction includes insulation and conductive EPDM materials
- Allows de-energized connection of two 600 Amp connectors
- Available with or without stud
- Torque control with 600ATM and torque wrench

K651CP Connecting Plug

Applications:

The Elastimold® K650CP connecting plug is an insulated bus that is used to attach and connect two or more Elastimold® K655LR/K656LR 600 Amp connectors. Units use a 600ATM wrench for installation.

Ratings:

Meets ANSI/IEEE Standard 386, Latest Revision

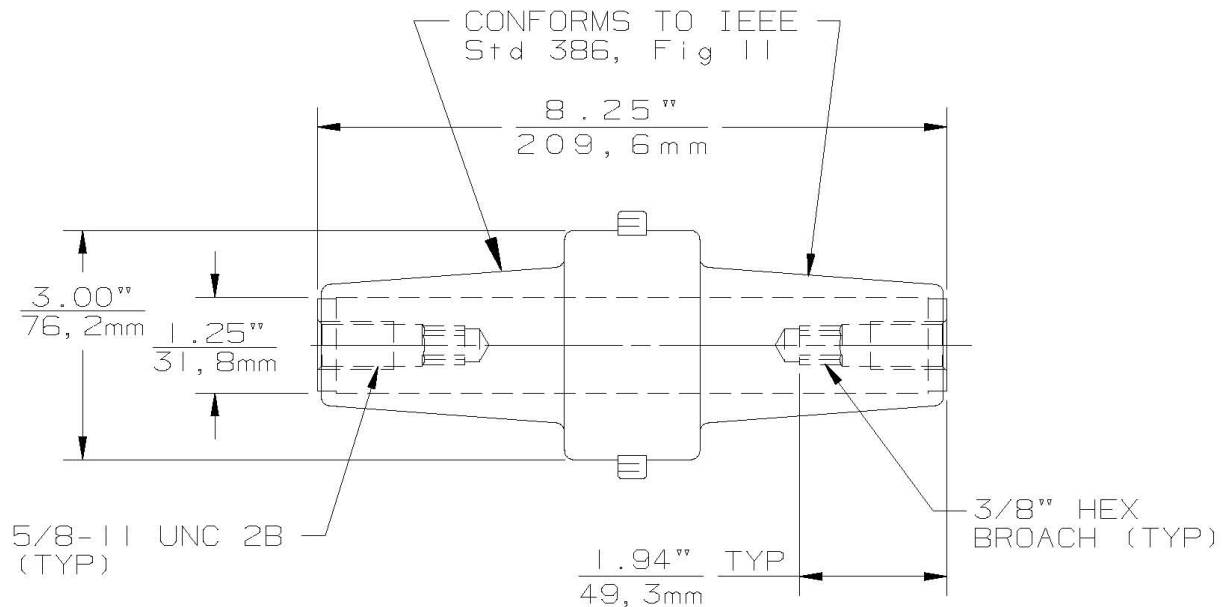
For 15kV Voltage Class:

8.3kV Max Phase-to-Ground – Operating Voltage
 14.4kV Max Phase-to-Phase
 95kV BIL – Impulse Withstand (1.2 x 50 microsecond wave)
 34kV AC – One minute withstand
 84kV DC – 15 minutes withstand
 53kV AC – Corona Extinction @ 3pC sensitivity
 600 Amp – Continuous
 25kA Sym – 10 Cycles Momentary

For 28kV Voltage Class:

16.2kV Max Phase-to-Ground – Operating Voltage
 28kV Max Phase-to-Phase
 140kV BIL – Impulse Withstand (1.2 x 50 microsecond wave)
 45kV AC – One minute withstand
 84kV DC – 15 minutes withstand
 21.5kV AC – Corona Extinction @ 3pC sensitivity
 900 Amp – Continuous
 25kA Sym – 10 Cycles Momentary

15/25kV	600A Deadbreak Connecting Plug	K651CP
---------	---------------------------------------	--------



Ordering Instructions:

To order 15/25kV 600 Amp connecting plug specify **K651CP**.

Each kit contains the following:

1	Connecting Plug	K651CP
1	Tube, lubricant	82-08
1	Installation instruction	IS-0915

Note:

- Available with the stud factory-assembled by adding "SP" to the part number.
- Available with a loose stud by adding suffix "S" to the part number.