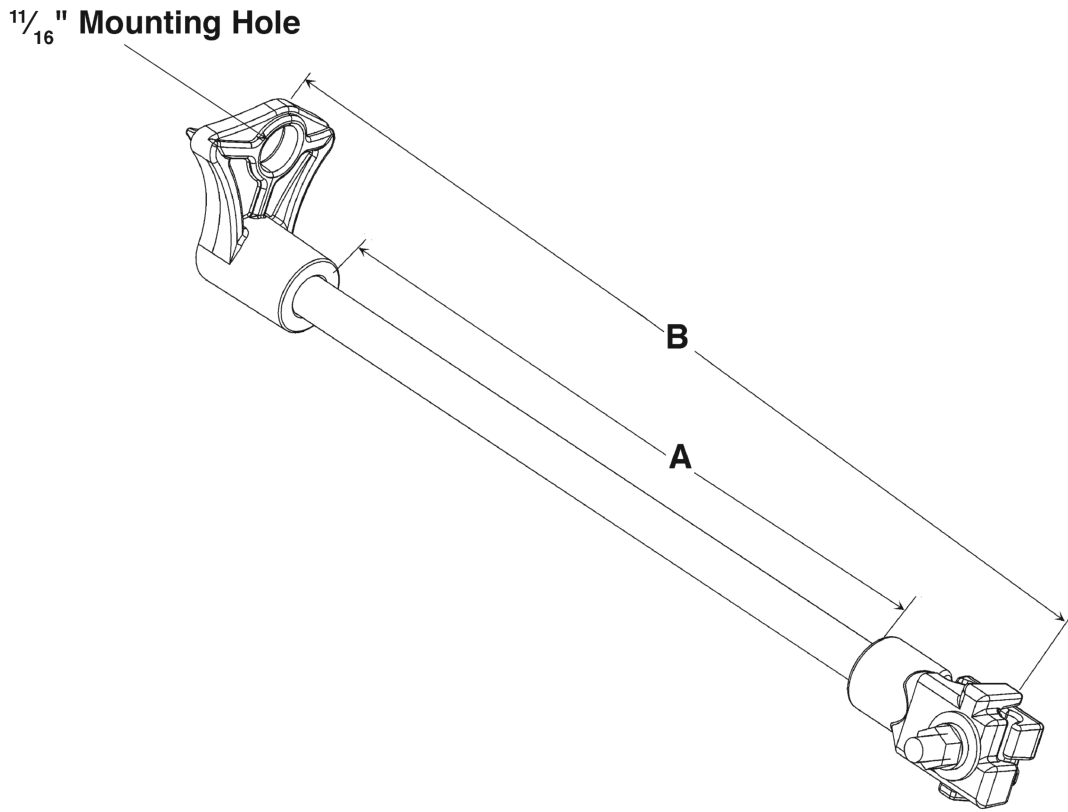


Downlead Bracket



Base and Cable Clamp
are hot-dip-galvanized
ductile iron.

Catalog Number	Length A	Conductor Size		Weight (Each)	
		Length B	Minimum		Maximum
Medium Duty 5/8" (16 mm) Dia. Rod					
DLM12BC	12" (30.5 cm)	16.5" (41.9 cm)	0.128" (3.25 mm)	0.398" (10.11 mm)	1.89 lbs. (.85 kg)
DLM18BC	18" (45.7 cm)	22.5" (57.2 cm)	0.128" (3.25 mm)	0.398" (10.11 mm)	2.02 lbs. (.91 kg)
DLM24BC	24" (61.0 cm)	28.5" (72.5 cm)	0.128" (3.25 mm)	0.398" (10.11 mm)	2.15 lbs. (.97 kg)