



[Catalog Home](#)

Product Datasheet

ANDERSON FARGO

WTH205 -- Bus Support, Aluminum Weldment



Bus Support, Aluminum Weldment, Open, Rigid or Slip Fit, 2 IPS/EHIPS Tube to Insulator, 5 in B.C.

Product Specifications

Family Image



Bus Supports

Bus Supports



WTH Series

Tube to Insulator, Open Clamp
Slip-Fit or Rigid Aluminum
Weldment Bus Supports

PDF Catalog Page

[Click HERE to view the web page.](#)

Bolt Circle Diameter

5

Mounting Hardware Material

Galvanized Steel

Dimension C

2.75 in (69.85 mm)

Dimension J

.63 in (15.88 mm)

Dimension K

.69 in X .88 in

Dimension L

9.38 in (238.12 mm)

Dimension W

4.0 in (101.6 mm)

Material Type

Non-Standard

UPC Code

09635934270

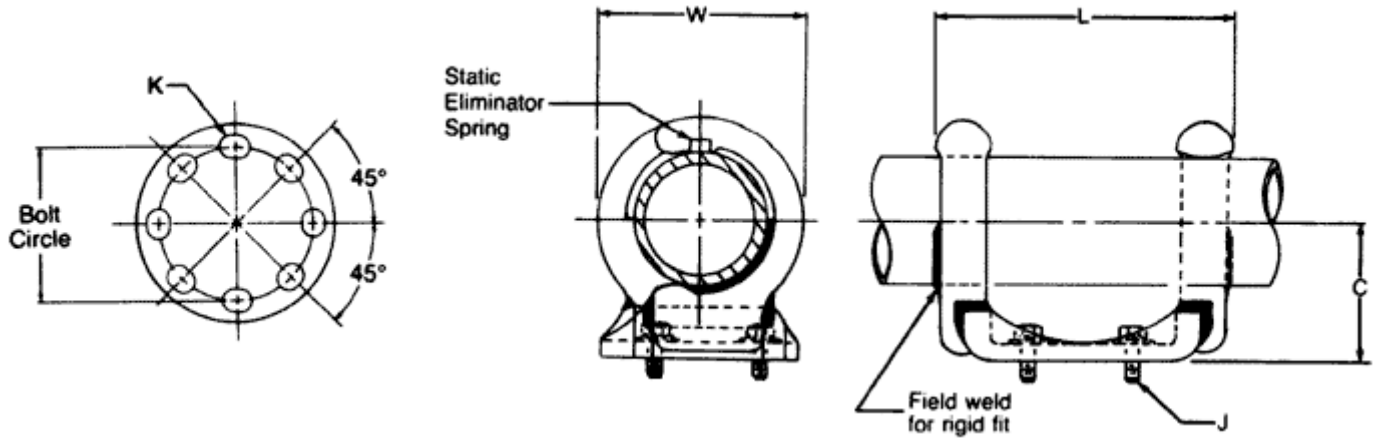
Standard Package

12

Standard Package Unit	Each
Min Order Qty	1
Weight / Ea.	3.626 lbs

Compressed Product Number

WTH205



[Catalog Home](#)



[Warranty Info](#) | [Trademarks](#) | [Terms of Use](#)

All contents Copyright © 2007 Hubbell Power Systems, Inc. All rights reserved.

NOTE: Because Hubbell has a policy of continuous product improvement, we reserve the right to change design and specifications without notice.