



[Catalog Home](#)

Product Datasheet



ANDERSON FARGO

WTT3024 -- Tee, Aluminum Weldment



Tee, Aluminum Weldment, Tube to Tube, 3 to 2-1/2 IPS/EHIPS tubes

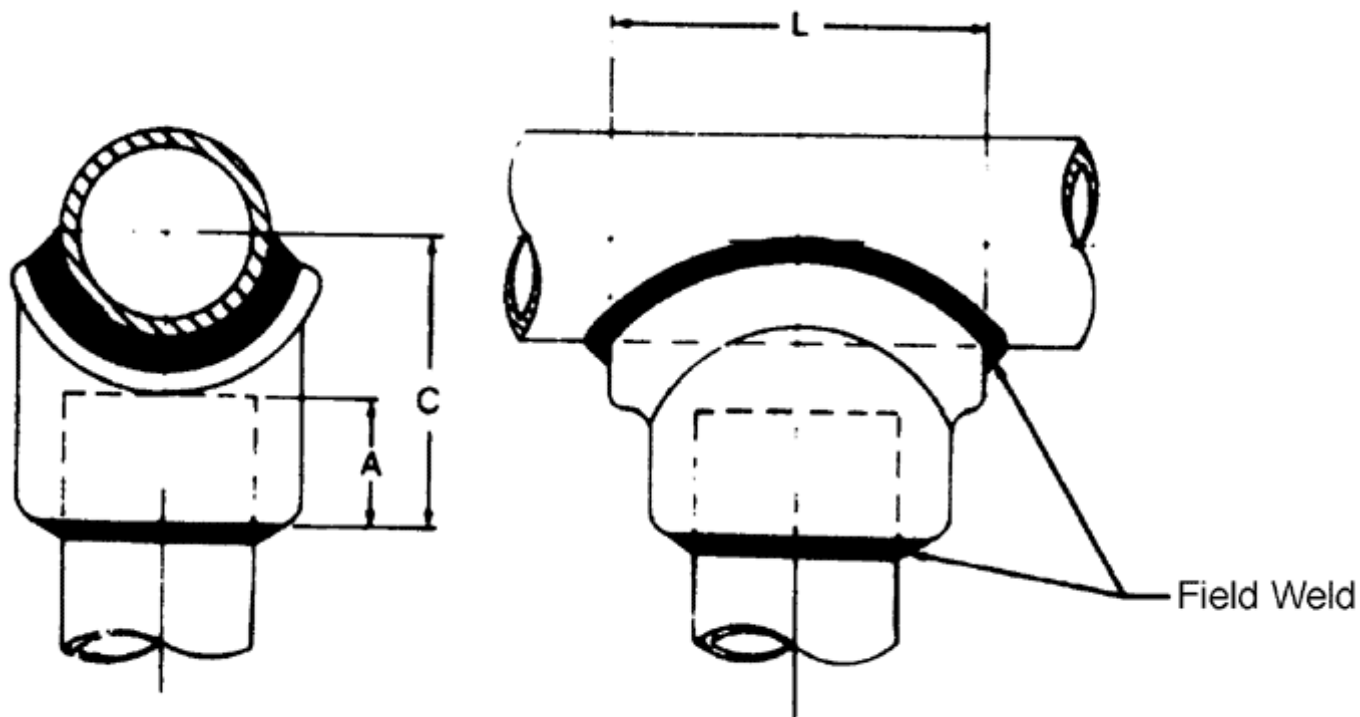
Product Specifications

<p>Family Image</p>	 <p>Tees</p>
<p>Tees</p>	 <p>WTT Series Tube to Tube Aluminum Weldment Tees</p>
<p>PDF Catalog Page</p>	<p>Click HERE to view the web page.</p>
<p>Dimension A</p>	<p>2.00 in (50.8 mm)</p>
<p>Dimension B</p>	<p>4.25 in (108.0 mm)</p>
<p>Dimension L</p>	<p>4.38 in (111.1 mm)</p>
<p>Material Type</p>	<p>Non-Standard</p>
<p>Standard Package</p>	<p>1</p>
<p>Standard Package Unit</p>	<p>Each</p>

Min Order Qty	1
Weight / Ea.	1.666 lbs

Compressed Product Number

WTT3024



[Catalog Home](#)



[Warranty Info](#) | [Trademarks](#) | [Terms of Use](#)

All contents Copyright © 2007 Hubbell Power Systems, Inc. All rights reserved.

NOTE: Because Hubbell has a policy of continuous product improvement, we reserve the right to change design and specifications without notice.