

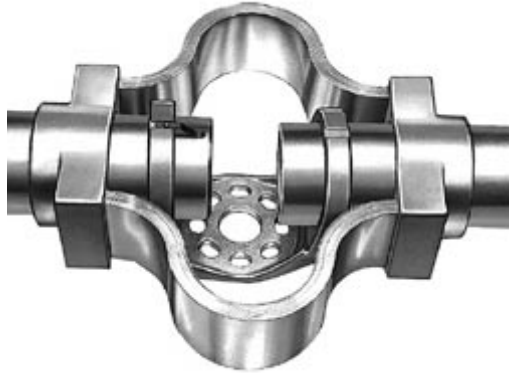


[Catalog Home](#)

**Product Datasheet**

**ANDERSON FARGO**

**WURF405 -- Bus Support, Aluminum Weldment**



Bus Support, Aluminum Weldment, Expansion, 4 IPS Tube to Insulator, 5 in B.C.

**Product Specifications**

**Family Image**



Bus Supports

**Bus Supports**



WURF Series  
Expansion, Tube to Insulator  
Aluminum Weldment  
Bus Supports

**PDF Catalog Page**

[Click HERE to view the web page.](#)

**Bolt Circle Diameter**

5

**Mounting Hardware Material**

Galvanized Steel

**Dimension C**

4.50 in (114.3 mm)

**Dimension K**

.69 in X .88 in

**Dimension L**

14.38 in (365.12 mm)

**Dimension W**

17.0 in (431.8 mm)

**Dimension Z**

1.25 in (31.75 mm)

**Material Type**

Non-Standard

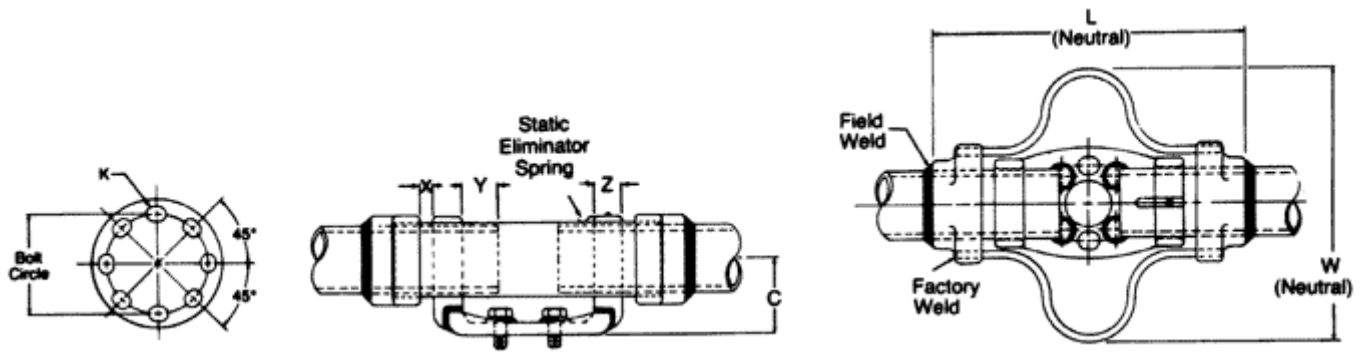
**UPC Code**

09635934432

Standard Package	1
Standard Package Unit	Each
Min Order Qty	1
Weight / Ea.	2.803 lbs

**Compressed Product Number**

WURF405



[Catalog Home](#)



[Warranty Info](#) | [Trademarks](#) | [Terms of Use](#)

*All contents Copyright © 2007 Hubbell Power Systems, Inc. All rights reserved.*

NOTE: Because Hubbell has a policy of continuous product improvement, we reserve the right to change design and specifications without notice.