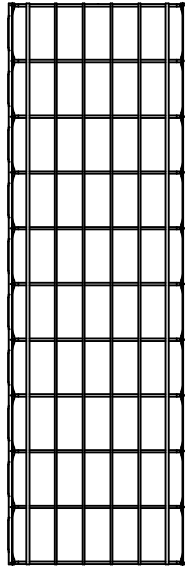


CF 54 CABLOFIL CABLE TRAY

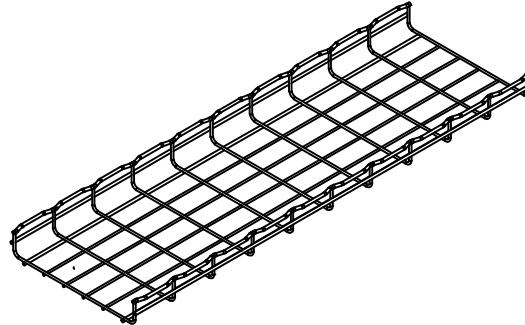
CABLOFIL®

INNOVATORS IN CABLE MANAGEMENT

8319 State Route 4
 Mascoutah IL 62258
 Phone: 800-658-4641
 618-566-3230
 Fax: 618-566-3250
www.cablofil.com



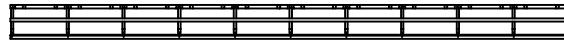
TOP



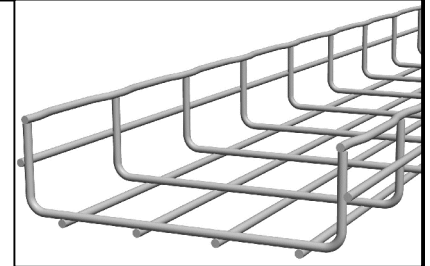
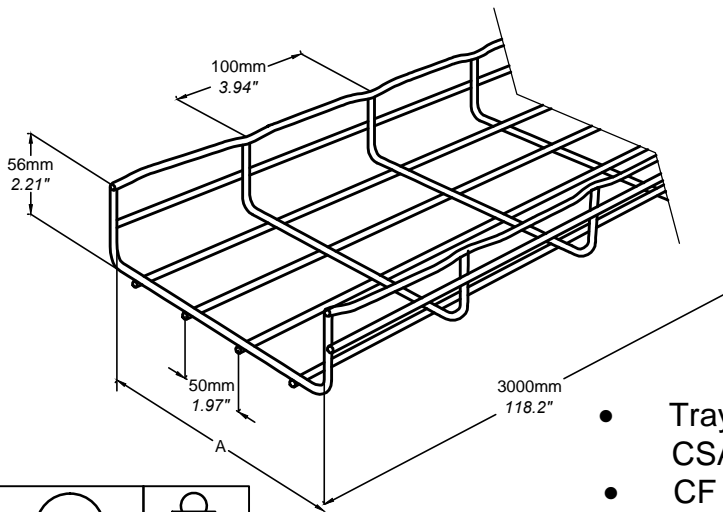
ISOMETRIC




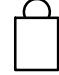
FRONT



SIDE



- Tray designed per NEMA VE-1, CSA C22.2 No. 126
- CF has top wave wire (shown)
- ZF has straight top wire

| |  |  | |
|--|-------------------------------------------------------------------------------------|-------------------------------------------------------------------------------------|----|
| | in | mm | lb |

| | | | |
|----------------|-------|-----|------|
| ZF* & CF54 50 | 1.967 | 50 | 5.3 |
| ZF* & CF54 100 | 3.937 | 100 | 6.5 |
| ZF* & CF54 150 | 5.904 | 150 | 7.8 |
| ZF* & CF54 200 | 7.872 | 200 | 9.0 |
| ZF* & CF54 300 | 11.81 | 300 | 13.4 |
| ZF* & CF54 400 | 15.75 | 400 | 22.8 |
| ZF* & CF54 450 | 17.71 | 450 | 25 |
| ZF* & CF54 500 | 19.68 | 500 | 24.4 |
| ZF* & CF54 550 | 21.65 | 550 | 25.9 |
| ZF* & CF54 600 | 23.62 | 600 | 27.5 |
| ZF54 750* | 29.53 | 750 | 32.6 |
| ZF54 900* | 35.43 | 900 | 37.7 |

* Top Wire Is Straight Type



| | | |
|----|----|------|
| BL | PE | 316L |
| EZ | GC | 304L |

| | Material | Finish |
|------|-----------------------------------|-------------------------------|
| EZ | Carbon Steel ASTM A510 Grade 1008 | Electroplated Zinc, ASTM B633 |
| GC | Carbon Steel ASTM A510 Grade 1008 | Hot-Dip Galvanized ASTM A123 |
| BL | Carbon Steel ASTM A510 Grade 1008 | Black Painted ASTM D 3451 |
| PE | Carbon Steel ASTM A510 Grade 1008 | Custom Painted ASTM D 3451 |
| 304L | AISI TYPE 304L | Passivated ASTM A 380 |
| 316L | AISI TYPE 316L | Passivated ASTM A 380 |