



I-BEAM[®] IBZ

Highly Configurable Fluorescent High Bay.

ENGINEERED TO PERFORM



For more than 60 years, Lithonia Lighting has delivered high-quality, reliable lighting solutions in an evolving market. We have leveraged this experience to develop innovative lighting technology that meets growing consumer demands in efficiency, reliability, environmental impact and customization options. Lithonia Lighting prides itself in engineering products to perform while ensuring they are easy to install and maintain. This makes them the most preferred products on the market.

Since its launch in 2005, the I-BEAM® system has become the most widely used and specified fluorescent high bay in the industry. Since day one, it has offered energy savings, value and performance that can't be matched by traditional HID lighting.

INSTALLED BY PREFERENCE



I-BEAM[®] IBZ
FLUORESCENT HIGH BAY



The **I-BEAM[®] IBZ** system is the most widely used and specified fluorescent high bay in the industry. It boasts a user-friendly design, energy efficiency and nearly limitless options to meet the needs of a wide variety of applications.

IBZ FEATURES

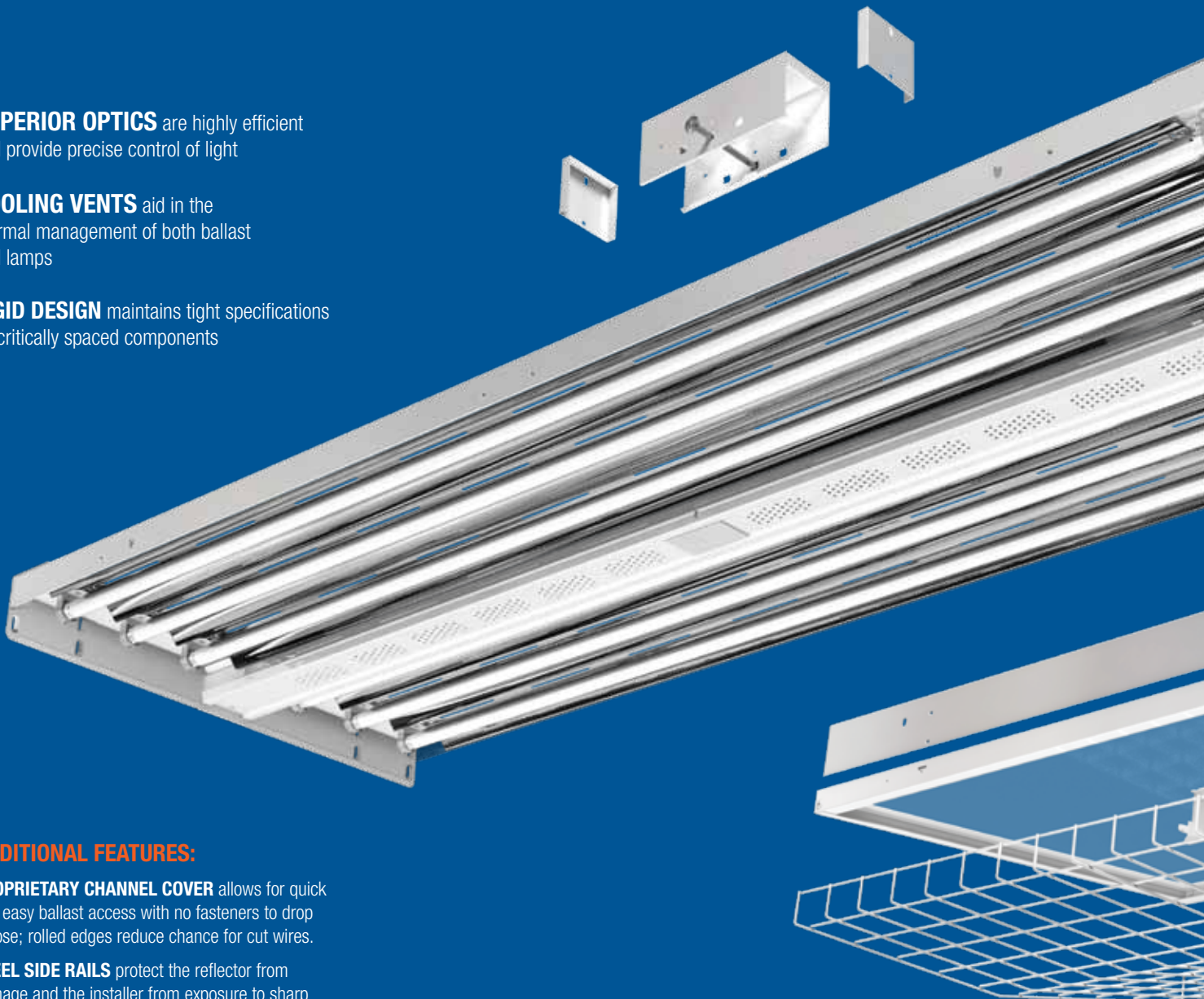
- Optional features and accessories that can be factory or field installed.
- Proprietary Z-strip channel that allows quick ballast access.
- Superior thermal management and optical design.
- State-of-the-art T5HO lamp and ballast system featuring Cool Running Plus™ Technology.

ENGINEERED TO PERFORM

SUPERIOR OPTICS are highly efficient and provide precise control of light

COOLING VENTS aid in the thermal management of both ballast and lamps

RIGID DESIGN maintains tight specifications on critically spaced components



ADDITIONAL FEATURES:

PROPRIETARY CHANNEL COVER allows for quick and easy ballast access with no fasteners to drop or lose; rolled edges reduce chance for cut wires.

STEEL SIDE RAILS protect the reflector from damage and the installer from exposure to sharp edges during handling.

FLAT, LOW-PROFILE DESIGN reduces space occupancy on trucks and lifts. It also allows for less packaging resulting in less jobsite material to clean up and recycle.

SEGMENTED REFLECTORS have multiple breaks that add strength to the reflector and provide precise control of light distribution.

CONTROLS

Fixture can be equipped with an occupancy sensor, photo sensor, nLight® or nWiFi™. Devices are factory-installed and require minimal labor to set up during fixture installation.





T-BEAM[®] IBZ
FLUORESCENT HIGH BAY

COOL RUNNING PLUS[™] TECHNOLOGY

ballast warranted for five years in environments up to 155°F (68°C)

OPTIONAL ENERGY-SAVING T5HO LAMPS

supported by an unprecedented five-year warranty (three-year with occupancy sensors)

MULTIPLE OPTIONS AND ACCESSORIES

available to support almost any application

**INSTALLED BY
PREFERENCE**

THE MOST CONFIGURABLE PRODUCT

The I-BEAM IBZ was engineered to be the most configurable high bay on the market. It offers numerous options for almost every electrical and optical component, including a long list of field-installable accessories.



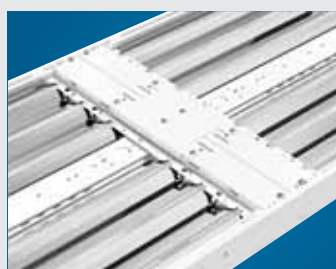
INTEGRATED MODULAR PLUG (IMP) must be factory-installed and allows for field installation of various modular accessories including cordsets, motion sensors, photocells and LC&D XPoint™ relays.



IBZ BACKPACK™ electrical box can be factory-installed to house additional components such as emergency ballasts, step-down transformers and dimming ballasts. Extended brackets allow air flow for increased heat management of all components.



V-SHAPED WIRE GUARDS (external) flex on impact to absorb shock, reducing damage to the fixture assemblies. Wire guards can be mounted on top and bottom of fixtures to provide full protection.



TANDEM CAPABILITY supports applications requiring high luminance and high mounting heights. The 8' tandem option is factory-assembled with continuous steel side panels and tensioning couplers. Tandem kits are also available for field installation.



EMBEDDED OCCUPANCY SENSOR can be placed in the channel cover, which reduces the risk of sensor damage compared to non-embedded sensors.



PENDANT MONOPOINT BRACKET accepts 3/4" rigid conduit for single-point mounting. The bracket can be adjusted to help counterbalance fixture to offset weight variance from end to end.

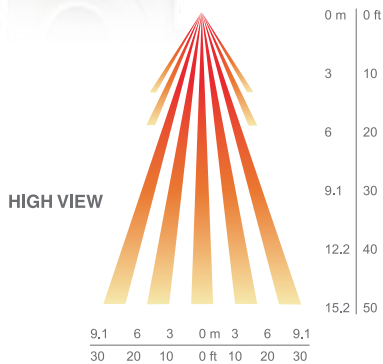
IN THE INDUSTRY

SENSORS & CONTROLS

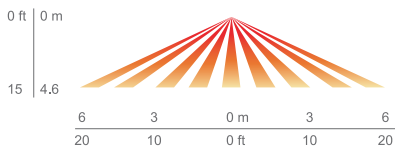
Sensors are an excellent way to maximize the return on your high bay lighting investment. **I-BEAM IBZ** fixtures can be equipped with an occupancy sensor, photo sensor, nLight® or nWiFi™. These devices are factory-installed and require minimal labor to set up during fixture installation.



MSI360
360° Lens



LOW VIEW



MSI360: The Sensor Switch CRMB-6 open-area sensor has 360° coverage and can be integrated with a photocell (PE) for further energy savings.

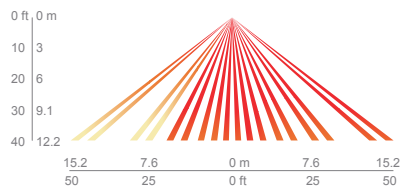
Mounting Location: End plate

- Best choice for 15 to 45 ft (4.57 to 13.72 m) mounting heights
- 15 to 20 ft (4.57 to 6.10 m) radial coverage overlaps area lit by a typical high bay fixture

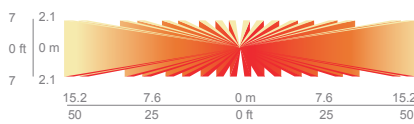


MSI
Aisleway Lens

SIDE VIEW



TOP VIEW



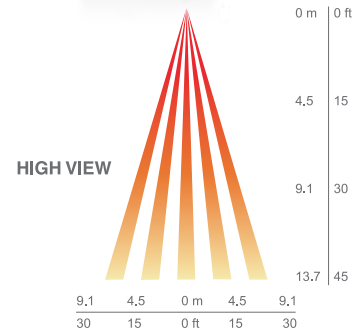
MSI: The Sensor Switch CMRB-50 aisleway sensor offers a dedicated sensor and extended range compared to competitive products.

Mounting Location: End plate

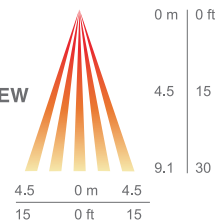
- Provides 50° bi-directional and 10° wide coverage pattern
- 1.2x mounting height equals approximate detection range in either direction
- Sensor lens turret rotates 90° in order to easily adjust the direction of the view pattern



MSE360
Embedded 360° Lens



LOW VIEW



MSE360: The Sensor Switch SFR-5 open-area sensor is embedded in the IBZ, making it less intrusive than traditional sensors.

Mounting Location: Center channel

- Recommended for fixtures that have a 1.0 spacing-to-mounting-height ratio or less
- Use provided masking kit to mask off a portion of the view pattern for end-of-aisle applications or to trim sensor's side viewing to create a rectangular pattern for center-of-aisle viewing only

All I-BEAM LED fixtures can be equipped with nLight. nLight is an exclusive and revolutionary system that cost-effectively combines time-based and sensor-based lighting controls. The digital interface allows for quick, easy modifications to time delays, photocell sensitivity and light levels at the individual fixture level.

nWiFi for nLight adds conventional WiFi technology to nLight devices, such as occupancy sensors and relays, enabling them to seamlessly communicate with both wired and wireless nLight lighting control zones. This powerful new nLight technology further simplifies installation and reduces hardware costs.



TAKING THE RISK OUT OF HIGH-TEMPERATURE ENVIRONMENTS

It is not uncommon for ambient temperature at the mounting height to reach 149°F (65°C), putting critical fixture components at risk.

The I-BEAM IBZ includes the most advanced thermal management system on the market. These advancements were made possible from years of high bay lighting experience and close interaction with industry-leading component manufacturers to integrate state-of-the-art electronics. The byproduct of this collaboration is a system that provides years of trouble-free service while performing in high-ambient applications.



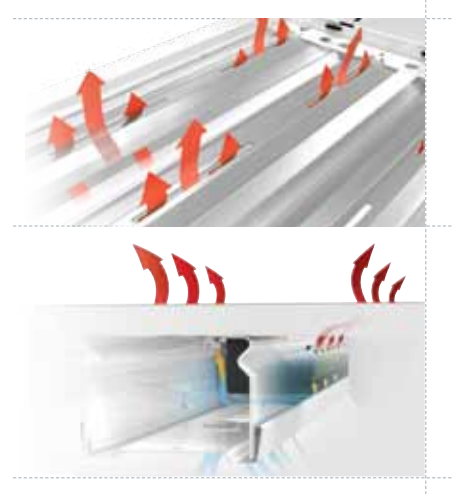
THERMAL MANAGEMENT

REFLECTOR DESIGN

Perfectly sized vents have been added to the reflectors to create the “Venturi Effect.” Using lamp heat, air pulls through the lamp cavity to provide ventilation and reduce dirt buildup on top of the lamps.

CHANNEL DESIGN

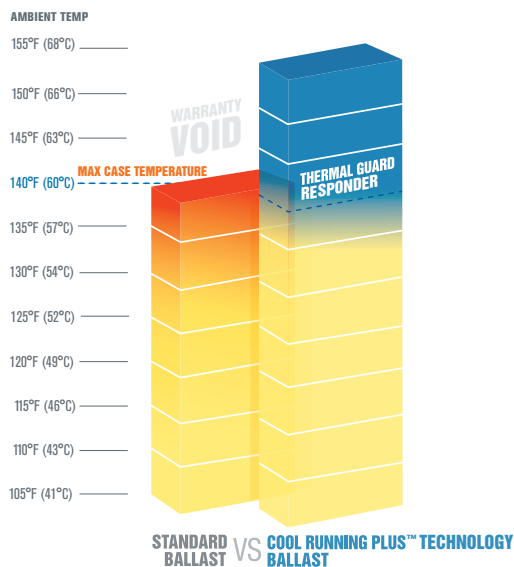
The thermal management of the ballast is critical to ensuring the longest possible life of the fixture’s electrical components. With perforated vents in the channel and channel cover, the IBZ can convect heat away from three sides of the ballast. The other side of the ballast is designed to make solid, continuous contact with the surface conducting heat while using the steel channel as a heat sink.





Standard T5HO ballasts are UL listed for 194°F (90°C) maximum case temperature, which occurs when ambient temperature reaches no higher than 140°F (60°C). Cool Running Plus™ Technology allows our ballast to operate up to 155°F (68°C) before reaching maximum case temperature. By protecting critical components, you get more reliable ballasts and longer service life.

Lithonia Lighting partnered with the leader in T5HO ballasts to engineer the most technologically advanced Philips Advance T5HO ballast on the market. This patent-pending ballast featuring Cool Running Plus™ Technology is the standard ballast on the I-BEAM® IBZ system.



ADVANTAGES OF COOL RUNNING PLUS™ TECHNOLOGY

- THERMAL GUARD RESPONDER** uses a programmable microprocessor to monitor system temperature and regulate ballast temperature, ensuring the ballast doesn't overheat and degrade the system components.
- INDEPENDENT LAMP OPERATION** allows system to retain higher light levels when individual lamps need to be replaced.
- ENHANCED TWO-LEVEL SWITCHING** (night light mode) saves additional energy when switching from four-lamp to two-lamp operation.
- FAST START TIME** of less than one second allows the system to be more effective when using sensors or when switched on/off frequently.
- 5/155 WARRANTY** guarantees system performance for five years at ambient temperatures as high as 155°F (68°C).



IBZ Fluorescent High Bay, T5HO

ORDERING INFORMATION

Specifications subject to change. See lithonia.com for most recent ordering information.

Example: IBZ 454L

Series	Lamp type	Distribution	Shielding ^{2,3}	Voltage	Ballast configuration	Ballast		
IBZ <i>For tandem double-length unit, add prefix "T". Ex: TIBZ</i>	<u>Lamps installed¹</u>	(blank)	Narrow distribution, ≤5% uplight	(blank) No shielding	(blank) MVOLT; 120-277V	(blank) Standard configuration	(blank) Cool Running Plus T5 electronic, 1.0 BF, programmed rapid start GEB10PS90 T5 electronic, 1.0 BF, programmed rapid start	
	454L 4-lamp 54W T5HO	NDU	Narrow distribution, enhanced uplight, ≤13% uplight	A12125	HVOLT 347V-480V ⁵	4-lamp = (1) 4-lamp ballast 6-lamp = (1) 2-lamp and (1) 4-lamp ballast 8-lamp = (2) 4-lamp ballasts		
	654L 6-lamp 54W T5HO			ACL				
	854L 8-lamp 54W T5HO			PCL125				
	<u>Unlamped</u>	WD	Wide distribution, ≤5% uplight	NLWG	No lens; wire guard in door frame			
	454 4-lamp 54W T5HO	WDU	Wide distribution, enhanced uplight, ≤13% uplight					
	654 6-lamp 54W T5HO							
854 8-lamp 54W T5HO								

Lamp color	Options
(blank) F54T5HO/841	GLR Internal fast-blow fuse ^{7,8}
LP835 F54T5HO/835	GMF Internal slow-blow fuse ^{7,8}
LP850 F54T5HO/850	EL14 Emergency battery pack ^{7,9,10}
<u>Amalgam lamps⁶</u>	EL14SD Emergency battery pack w/ self-diagnostics ^{7,9,10}
LP841A F54T5HO/841	I162 1250 lumens per lamp battery ^{9,10,11}
LP835A F54T5HO/835	OUTCTR Wiring leads pulled through back center of fixture ³
LP850A F54T5HO/850	OCS RELOC® OnePass® 5' installed ⁷
<u>Energy-saving 49W lamps</u>	IMP Integrated modular plug ^{12,23}
P841E49 F54T5HO/841	FSP Integral full side panels
P835E49 F54T5HO/835	PBTSTK Polybutylene terephthalate sockets
P850E49 F54T5HO/850	HBBSIC Chain hanger (pair)
	HBBS36IC Chain hanger with 36" chain (pair)

Cord sets:	Motion sensors:
CS1W Straight plug, 120V ^{13,14}	MSI Aisle motion sensor, pre-wired ¹⁵
CS3W Twist-lock, 120V ^{13,14}	MSI360 360° motion sensor, pre-wired ¹⁵
CS7W Straight plug, 277V ^{13,14}	MSE360 360° motion sensor, embedded ^{7,16}
CS11W Twist-lock, 277V ^{13,14}	MSE360LB 360° motion sensor, embedded ^{7,17}
CS25W Twist-lock, 347V ^{13,14}	XP1 XPoint single relay ¹⁸
CS97W Twist-lock, 480V ^{13,14}	XP2 XPoint double relay ¹⁸
CS93W 600 SO white cord, no plug (no voltage required) ^{13,14}	nMSI nLight, aisle motion sensor, pre-wired ⁷
<u>Wire guards:</u>	nMSI360 nLight enabled, 360° motion sensor, pre-wired ⁷
WGX External wire guard installed	
2WGX External wire guard installed on bottom of fixture ¹⁹	

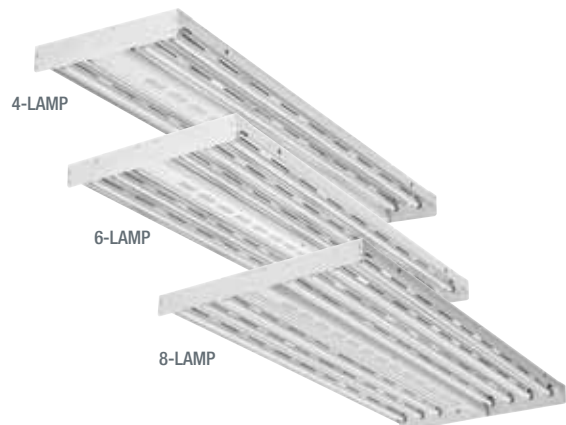
Accessories: Order as separate catalog number.

Mounting:	Field-installable door and lens assemblies: ^{21,22}	Cord sets and sensors for IMP option:	Wire guards:
IBAC120 M20 Aircraft cable 10' with hook (one pair)	DLIBZ14 A12125 4-lamp pattern 12 acrylic lens, 0.125" ^{21,22}	CS1WIMP Straight plug, 120V ^{7,13,14}	WGIBZ14 Standard 4-lamp wire guard
IBAC240 M20 Aircraft cable 20' with hook (one pair)	DLIBZ14 ACL 4-lamp clear acrylic lens ^{21,22}	CS3WIMP Twist-lock, 120V ^{7,13,14}	WGIBZ19 Standard 6-lamp wire guard
IBHMP Hook monopoint	DLIBZ14 PCL125 4-lamp clear polycarbonate lens, 0.125" ^{21,22}	CS7WIMP Straight plug, 277V ^{7,13,14}	WGIBZ24 Standard 8-lamp wire guard
IBZACVH Aircraft 10' V hanger (one pair)	DLIBZ19 A12125 6-lamp pattern 12 acrylic lens, 0.125" ^{21,22}	CS11WIMP Twist-lock, 277V ^{7,13,14}	
IBZTFC Tandem coupler and side panel	DLIBZ19 ACL 6-lamp clear acrylic lens ^{21,22}	CS25WIMP Twist-lock 347V	
IBZPMP Pendant monopoint splice box, includes side covers ²⁰	DLIBZ19 PCL125 6-lamp clear polycarbonate lens, 0.125" ^{21,22}	CS93WIMP 600V SO white cord, no plug (no voltage required) ¹³	
IBZPMPHB Pendant monopoint splice box, includes side covers (3/4" hub) ²⁰	DLIBZ24 ACL 8-lamp clear acrylic lens ^{21,22}	CS97WIMP Twist-lock 480V	
HBBS36 Chain hanger, 36" (one pair)	DLIBZ24 PCL125 8-lamp clear polycarbonate lens, 0.125" ^{21,22}	MSIIMP Aisle sensor ^{7,23}	
IBZSMB Surface-mounting bracket (one pair)		MSI360IMP 360° sensor ^{7,23}	

Notes

- Lamps installed are F54T5HO/841 unless otherwise specified.
- 5/55°F warranty with open fixtures only.
- Not available with MSE360 option.
- For wire guard in door frame, add "WG" to shielding. Ex: A12125WG.
- Nonstandard configurations may require factory installed BACKPACK™. Consult factory.
- Not for use with motion sensors.
- Specify voltage.
- Not available with 347 voltage.
- Battery options require a BACKPACK™ installed by the factory in order to accommodate the size of the battery. The BACKPACK is NOT field installable. May only be surface mounted using IBZSMB. Not available with pendant mount using IBZ PMP or IBZ PMPHB. Not available with IMP.
- Certified to UL1598 (approx. 1100 lumens at 25°C when using 49W lamps, and 911 lumens at 45°C). Single-lamp operation only. 120 or 277 voltage only.
- Max 2500 lumens when used with 54W T5 lamps up to 55°C ambient temperature (120 or 277 voltage only).
- Must be factory-installed. Not available on TIBZ 16-lamp configurations.
- All cord sets are 18/3, 6', white.
- Cord sets are voltage specific. Specify voltage. Other configurations available. Consult factory.
- Specify voltage; 120, 208, 240, 277, 347 or 480.
- Recommended for heights of 30-40'. Not available with lensed units. 120, 277 or 347 voltage only.
- Embedded sensor. For mounting heights up to 20'; not available with lensed units. 120, 277 or 347 voltage only.
- Contact LC&D for additional system components required.
- One wire guard shipped as separate line item for top installation in field. Not available with IBZPMP.

- When ordering IBZPMP, two-ballast configurations are recommended. Ex: 2/2. Not available with tandem units. Not available with any battery pack.
- Not available with MSE360 or MSE360LB.
- Add WG to nomenclature if wire guard is to be installed in door frame, ex: DLIBZ14 A12125WG.
- Must have "IMP" power cord to power fixture.



IBZ Fluorescent High Bay, T8

ORDERING INFORMATION

Specifications subject to change. See lithonia.com for most recent ordering information.

Example: IBZ 432L

Series	Lamp type	Distribution	Shielding ²	Voltage	Ballast configuration
IBZ <i>For tandem double-length unit, add prefix "T". Ex: TIBZ</i>	<u>Lamps installed¹</u>	(blank) Narrow distribution, ≤5% uplight	(blank) No shielding	(blank) MVOLT; 120-277V	(blank) Standard configuration
	432L 4-lamp 32W T8	NDU Narrow distribution, enhanced uplight, ≤13% uplight	A12125 Pattern 12 acrylic, 0.125" ³		
	632L 6-lamp 32W T8	WD Wide distribution, ≤5% uplight	ACL Clear acrylic, 0.125" ³		
	832L 8-lamp 32W T8	WDU Wide distribution, enhanced uplight, ≤13% uplight	PCL125 Clear polycarbonate, 0.125" ³		
	<u>Unlamped</u>				
	432 4-lamp 32W T8				
632 6-lamp 32W T8					
832 8-lamp 32W T8					

Ballast	Lamp color	Options
(blank) T8 electronic, instant start, 1.15-1.20 BF	(blank) F32T8/841 LP835 F32T8/835 LP850 F32T8/850	GLR Internal fast-blow fuse ^{4,5} GMF Internal slow-blow fuse ^{4,5} EL14 Emergency battery pack ^{4,6,7} EL14SD Emergency battery pack w/ self-diagnostics ^{4,6,7} I162 1250 lumens per lamp battery ^{4,6,8} OUTCTR Wiring leads pulled through back center of fixture ² OCS RELOC® OnePass® 5' installed ⁴ IMP Integrated modular plug ^{9,10} FSP Integral full side panels HBBSIC Chain hanger (pair) HBBS36IC Chain hanger with 36" chain (pair)
GE10IS T8 electronic ballast, ≤10% THD, instant start, .88 BF		
GE10PS T8 electronic ballast, ≤10% THD, programmed rapid start, .88 BF		
GE10PSH T8 electronic ballast, ≤10% THD, programmed rapid start, 1.15-1.20 BF		
		Cord sets: CS1W Straight plug, 120V ^{11,12} CS3W Twist-lock, 120V ^{11,12} CS7W Straight plug, 277V ^{11,12} CS11W Twist-lock, 277V ^{11,12} CS25W Twist-lock, 347V ^{11,12} CS97W Twist-lock, 480V ^{11,12} CS93W 600 SO white cord, no plug (no voltage required) ¹¹ Wire guards: WGX External wire guard installed 2WGX Dual wire guard for top and bottom protection ¹⁷
		Motion sensors: MSI Aisle motion sensor, pre-wired ¹³ MSI360 360° motion sensor, pre-wired ¹³ MSE360 360° motion sensor, embedded ¹⁴ MSE360LB 360° motion sensor, embedded ¹⁵ XP1 XPoint single relay ¹⁶ XP2 XPoint double relay ¹⁶ nMSI nLight, aisle motion sensor, pre-wired ⁴ nMSI360 nLight enabled, 360° motion sensor, pre-wired ⁴

Accessories: Order as separate catalog number.

Mounting:	Field-installable door and lens assemblies: ^{2,19}	Cord sets and sensors for IMP option:	Wire guards:
IBAC120 M20 Aircraft cable 10' with hook (one pair)	DLIBZ14 A12125 4-lamp pattern 12 acrylic lens, 0.125" ^{2,19}	CS1WIMP Straight plug, 120V ^{11,12}	WGIBZ14 Standard 4-lamp wire guard
IBAC240 M20 Aircraft cable 20' with hook (one pair)	DLIBZ14 ACL 4-lamp clear acrylic lens ^{2,19}	CS3WIMP Twist-lock, 120V ^{11,12}	WGIBZ19 Standard 6-lamp wire guard
IBHMP Hook monopoint	DLIBZ14 PCL125 4-lamp clear polycarbonate lens, 0.125" ^{2,19}	CS7WIMP Straight plug, 277V ^{11,12}	WGIBZ24 Standard 8-lamp wire guard
IBZACVH Aircraft 10' V hanger (one pair)	DLIBZ19 A12125 6-lamp pattern 12 acrylic lens, 0.125" ^{2,19}	CS11WIMP Twist-lock, 277V ^{11,12}	
IBZTFC Tandem coupler and 8' side panel	DLIBZ19 ACL 6-lamp clear acrylic lens ^{2,19}	CS25WIMP Twist-lock, 347V	
IBZPMP Pendant monopoint splice box, includes side covers ¹⁸	DLIBZ19 PCL125 6-lamp clear polycarbonate lens, 0.125" ^{2,19}	CS93WIMP 600V SO white cord, no plug (no voltage required) ¹¹	
IBZPMPHB Pendant monopoint splice box, includes side covers (3/4" hub) ¹⁸	DLIBZ24 ACL 8-lamp clear acrylic lens ^{2,19}	CS97WIMP Twist-lock, 480V	
HBBS36 Chain hanger, 36" (one pair)	DLIBZ24 PCL125 8-lamp clear polycarbonate lens, 0.125" ^{2,19}	MSIIMP Aisle sensor ^{10,20}	
IBZSMB Surface-mounting bracket (one pair)		MSI360IMP 360° sensor ^{10,20}	

Notes

- Lamps installed are F32T8/841 unless otherwise specified.
- Not available with MSE360 or MSE360LB options.
- For wire guard in door frame, add "WG" to shielding. Ex: A12125WG.
- Specify voltage.
- Not available with 347 voltage.
- Battery options require a BACKPACK™ installed by the factory in order to accommodate the size of the battery. The BACKPACK is NOT field installable. May only be surface mounted using IBZSMB. Not available with pendant mount using IBZPMP or IBZ PMPHB. Not available with IMP.
- Output in emergency mode varies with ambient temperature (911 lumens at 45°C). Single-lamp operation only. 120 or 277 voltage only.
- Max 3000 lumens when used with T8 lamps up to 55°C ambient temperature. Not available with IMP. 120 or 277 voltage only.
- Must be factory-installed. Not available on TIBZ 16-lamp configurations.
- Must have "IMP" power cord to power fixture.
- All cord sets are 18/3, 6', white.
- Cord sets are voltage specific. Specify voltage. Other configurations available. Consult factory.
- Specify voltage; 120, 208, 240, 277, 347 or 480.
- Recommended for heights of 30-40'. Not available with lensed units. 120, 277 or 347 voltage only.
- Recommended for heights up to 20'. Not available with lensed units. 120, 277 or 347 voltage only.
- Contact LC&D for additional system components required.
- External bottom wire guard factory installed. External top wire guard shipped separately for field installation. Not available with IBZPMP.
- When ordering IBZPMP, two-ballast configurations are recommended. Ex: 2/2. Not available with tandem units. Not available with any battery pack.
- Add WG to nomenclature if wire guard is to be installed in door frame, ex: DLIBZ14 A12125WG.
- 120 or 277 voltage only.

INTEGRATE DAYLIGHTING & CONTROLS WITH I-BEAM® IBZ



OTHER LITHONIA LIGHTING® INDUSTRIAL FLUORESCENT PRODUCTS

