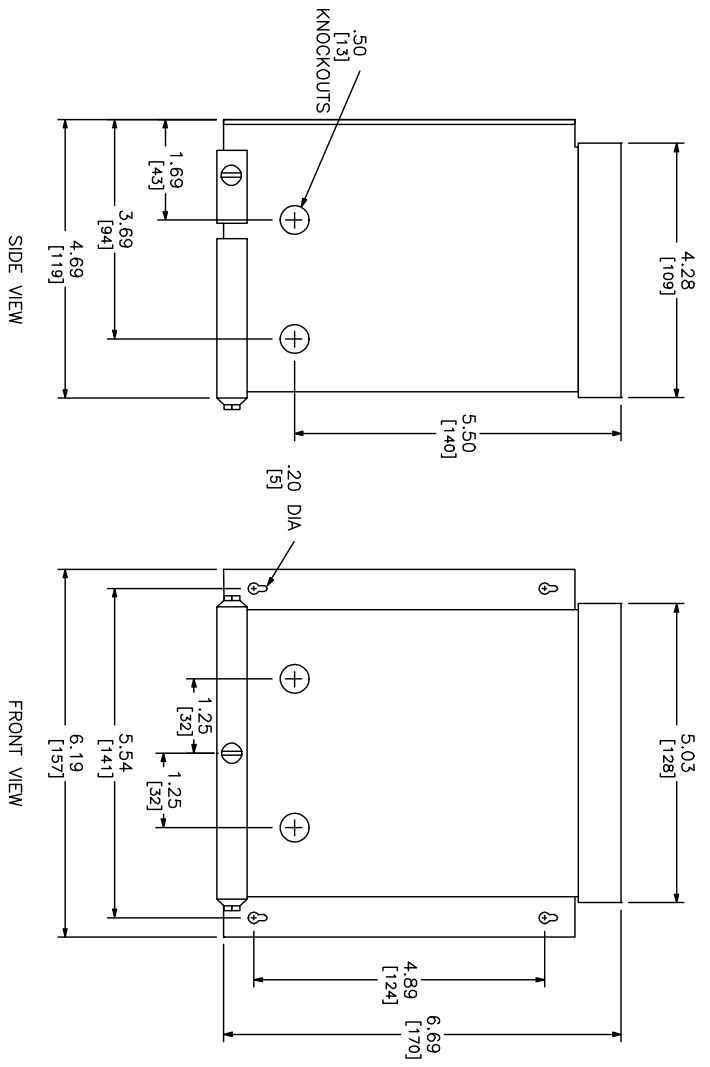
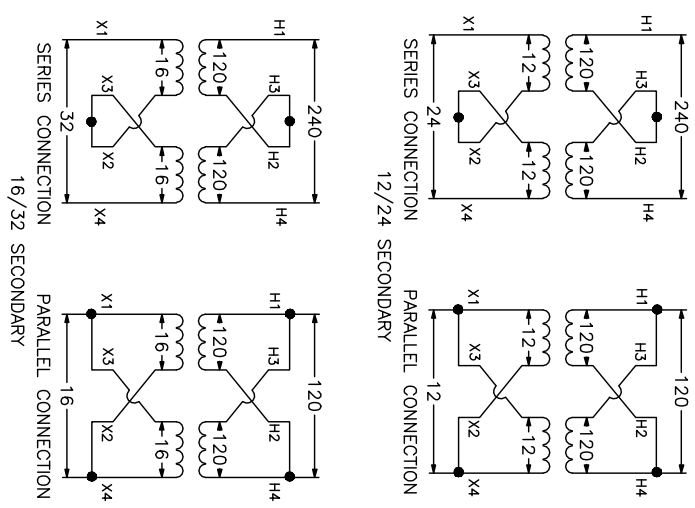


BUCK AND BOOST TRANSFORMER
 .750 KVA 1Ø 60HZ
 120 X 240V PRIMARY



SEISMIC QUALIFICATION:
 TO BE COMPLIANT WITH THE SEISMIC REQUIREMENTS OF ASCE/SEI7, THIS UNIT HAS BEEN QUALIFIED BY SHAKE TABLE TESTING THROUGH SELF CERTIFICATION TO ICC-ES AC156. THE ENCLOSURE SHOWN ABOVE IS 6A. CONTACT YOUR LOCAL SCHNEIDER ELECTRIC/SQUARE D REPRESENTATIVE FOR RELATED QUESTIONS.

NOTES:
 UL/CUL LISTED
 NEMA 3R NON-VENTILATED ENCLOSURE
 COPPER WOUND
 185°C INSULATION SYSTEM FOR 115°C RISE
 EPOXY-RESIN ENCAPSULATED



DUAL DIMENSIONS: INCHES MILLIMETERS

KVA	CATALOG NUMBERS		TEMP. RISE	WGT LBS
	12/24 SECONDARY	16/32 SECONDARY		
.750	750SV43F	750SV46F	115°C	15.5

BUCK AND BOOST TRANSFORMERS
 .750 KVA 1PH 60HZ
 120 X 240V PRIMARY

DWG# 3617

