



Product Datasheet


ANDERSON FARGO

CFS139105S -- Suspension Clamp



Suspension Clamp, Aluminum, EHV or Std Voltage, for use with conductors 1.18 - 1.39 with fitting: Socket

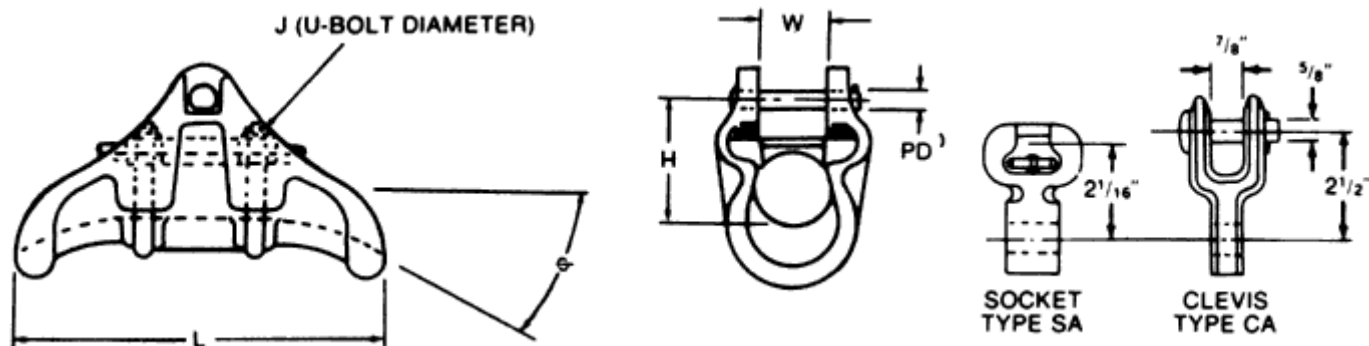
Product Specifications

Series	 <p>CFS-L series EHV or Standard Voltage Aluminum for use w/o armor rods</p>
PDF Catalog Page	Click HERE to view the web page.
Fitting	Socket
Clamp Material	Aluminum
Fitting Catalog No.	SA-13
Ultimate Body Strength	25,000 lbs (11,340 kgs)
Maximum Take-off Angle 0	17.5
Dimension H	2.88 in (73.0 mm)
Dimension J	0.500 in (12.7 mm)
Dimension L	10.5 in (267 mm)
Dimension W	1.53 in (38.9 mm)
Dimension PD	0.625 in (15.9 mm)
Hardware Material	Galvanized Steel
Minimum - Maximum Conductor Size	AAC 1100 kcmil (91) Thru AAC 556.5 kcmil (37) w/Armor Rods AAAC 466.3 kcmil str (19) w/Armor Rods Thru AAAC 559.6 kcmil str (19) w/Armor Rods ACSR 1033.5 kcmil (36/1) Thru ACSR 477.0 kcmil (30/7) w/Armor Rods ACAR 1080.6 kcmil (24/13) Thru ACAR 5
Clamping Range	1.18 - 1.39 in (29.97 - 35.31 mm)
Voltage Application	EHV

Material Type	Non-Standard
UPC Code	09635929877
Standard Package	1
Standard Package Unit	Each
Min Order Qty	1
Weight / Ea.	6.272 lbs

Compressed Product Number

CFS13910.5S



[Catalog Home](#)



[Warranty Info](#) | [Trademarks](#) | [Terms of Use](#)

All contents Copyright © 2007 Hubbell Power Systems, Inc. All rights reserved.

NOTE: Because Hubbell has a policy of continuous product improvement, we reserve the right to change design and specifications without notice.