

Posi-Lok™ Distribution Panels use lightweight, single conductor cables to provide the means for hurried personnel to quickly and safely connect and disconnect power systems without having to use any tools.

### Applications:

- Posi-Lok™ Power Distribution Panels utilize single conductor cable that can be used to full amperage capability without the need to derate like multi-conductor solutions
- Ideal for disaster relief, temporary power, stand-by emergency power, and power distribution applications

### Certifications and Compliances:

- UL Listed: E67181
- CSA certified: LR13963-48

### Environmental Rating:

- NEMA 3

### Features:

**1** Safe, sequential interlock ensures ground mates first and breaks last

**2** Limit switch capabilities

**3** Reliable Posi-Lok, Cross-Phase Protection System ensures phase integrity

**4** UL Listed and CSA certified

**5** Lockout/tagout compatible for safety and security

**6** Quick and easy installation - panels can be mounted into a standard 19 inch rack

**7** Shatter-resistant insulators and polarizing shells provide long-lasting, durable connectors

**8** Double set screw termination for added strength and quick installation (crimp also available)

**9** Plugs are uniquely keyed and color-coded to eliminate cross-phasing

Cut-away view of E0400 male plug

CONNECT SEQUENCE: DISCONNECT SEQUENCE: START LEFT TO RIGHT RIGHT TO LEFT NOT FOR INTERRUPTING CURRENT IN NO BREAKER FOUR COOPER ILL. COMPANY

GROUND NEUTRAL BLACK RED BLUE

LA GRANGE, NC

UL LISTED E67181

CAUTION READ INSTRUCTIONS BEFORE USE

LOCKED OUT DO NOT REMOVE

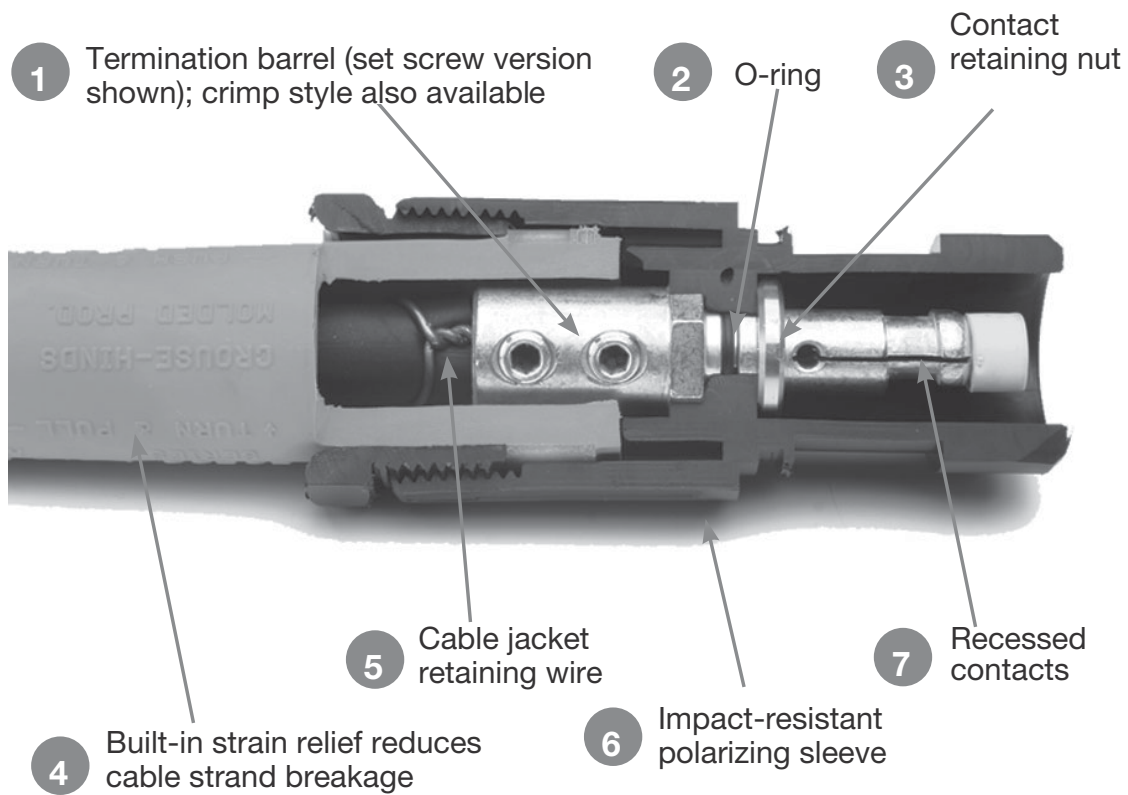
# 11P Posi-Lok™ Connectors

Now there's no need to haul around huge, multi-conductor cables. Posi-Lok™ Power Distribution Systems let you use lighter, single conductor cables rated at higher amperages.

Posi-Lok™ Plugs feature recessed electrical contacts that are protected by shatter-resistant insulators and impact-resistant molded sleeves.

More than 25 years of field testing has proven that the unique elastomeric tapered insulator allows maximum flexing with minimum breakage. There are no metal clamps or grommets to cause cable failure.

The same plugs that connect to panels also connect to each other so that you can use long runs of cable. Polarity is assured because each plug is uniquely keyed and color-coded for easy, positive connecting.



Cut-away view of E0200 male plug

# Posi-Lok™ Panels E0400 Series

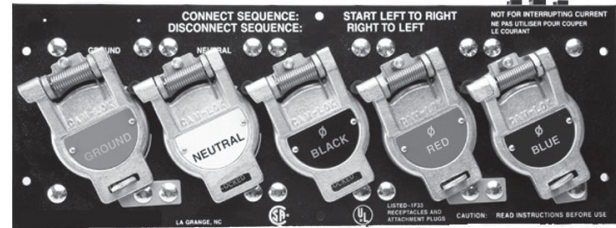
11P

**Cable Size #2 AWG - 4 / 0**  
**600V AC/DC**  
**Up to 400A Continuous**

## Posi-Lok™ E0400 Series Female Panels

### Features:

- Designed to meet Article 520-53 Section K and Article 530-22 Section A (NEC) standards
- Sequential interlock system requires the user to connect and disconnect each plug in sequence
- Polarized panels eliminate the possibility of cross-phasing
- Proven Cam-Lok™ double cam principle provides a positive, vibration-proof connection
- No moving contact surfaces, eliminating arcing or burning of contacts
- Recessed contacts protected by insulating jacket that extends beyond contact ends for safety



### Testing and Code Compliance:

- Listed to UL498, File No. E67181
- CSA certified to C22.2 No. 182.3-M1987, File No. LR13963

### Material Characteristics:

- Panel - steel
- Temperature rating: -40°C to 105°C

### Ordering Information - Female Panels:

Receptacles Per Panel	Cat. #	Cover Color Code
3	E0400-1685	GR, WH, BK
4	E0400-1686-NN	GR, BK, RD, BU
4	E0400-1696	GR, WH, BK, RD
4	E0400-1883-NN	GR, BRN, ORG, YEL
5	E0400-1687	GR, WH, BK, RD, BU
5	E0400-1702	GR, WH, BRN, ORG, YEL
6	E0400-1885	GR, WH, WH, BK, RD, BU

GR = Green; WH = White; BK = Black; RD = Red; BU = Blue; BRN = Brown; ORG = Orange; YEL = Yellow; NN = Panel without Neutral

Add "LS" suffix to end of catalog number to order panels with a limit switch. Available on all positions - consult factory. Limit switch ratings are [125, 250, 480 VAC, 15A], [125 VDC, .5A], [250 VDC, .25A]. **Plugs must be ordered separately.**

11P

# 11P

## Posi-Lok™ Plugs E0400 Series

Cable Size #2 AWG - 4 / 0  
600V AC/DC  
Up to 400A Continuous

### Posi-Lok™ E0400 Series Male Plugs, Crimp and Double Set Screw

#### Features:

- Designed to meet Article 520-53 Section K and Article 530-22 Section A (NEC) standards
- Polarized plugs eliminate the possibility of cross-phasing
- Built-in strain relief reduces cable strain
- Proven Cam-Lok™ double cam principle provides a positive, vibration-proof connection
- No moving contact surfaces, eliminating arcing or burning of contacts
- Recessed contacts protected by insulating jacket that extends beyond contact ends for safety

#### Testing and Code Compliance:

- Listed to UL498, File No. E67181
- CSA certified to C22.2 No. 182.3-M1987, File No. LR13963

#### Material Characteristics:

- Insulator - TPE
- Polarizing shell - thermoplastic
- Temperature rating: -40°C to 105°C

#### Ordering Information - Male Plugs:

Termination	Position	Complete Cat. #	Contact Only Cat. #	Insulator Cat. #	Polarizing Shell Cat. #
Crimp 1 / 0 - 2 / 0	Green	E0400-141	A201271-2	3336200-1	A201263-6
	White	E0400-142	A201271-2	3336200-2	A201263-7
	Black	E0400-143	A201271-2	3336200-3	A201263-8
	Red	E0400-144	A201271-2	3336200-4	A201263-9
	Blue	E0400-145	A201271-2	3336200-5	A201263-10
	Brown	E0400-146	A201271-2	3336200-6	A201263-29
	Orange	E0400-147	A201271-2	3336200-7	A201263-30
	Yellow	E0400-148	A201271-2	3336200-8	A201263-31
Crimp 3 / 0 - 4 / 0	Green	E0400-161	A201271-1	3336200-9	A201263-1
	White	E0400-162	A201271-1	3336200-10	A201263-2
	Black	E0400-163	A201271-1	3336200-11	A201263-3
	Red	E0400-164	A201271-1	3336200-12	A201263-4
	Blue	E0400-165	A201271-1	3336200-13	A201263-5
	Brown	E0400-166	A201271-1	3336200-14	A201263-26
	Orange	E0400-167	A201271-1	3336200-15	A201263-23
	Yellow	E0400-168	A201271-1	3336200-16	A201263-25
Double Set Screw #2 - 2 / 0	Green	E0400-151	A201283-3	3336200-1	A201263-6
	White	E0400-152	A201283-3	3336200-2	A201263-7
	Black	E0400-153	A201283-3	3336200-3	A201263-8
	Red	E0400-154	A201283-3	3336200-4	A201263-9
	Blue	E0400-155	A201283-3	3336200-5	A201263-10
	Brown	E0400-156	A201283-3	3336200-6	A201263-29
	Orange	E0400-157	A201283-3	3336200-7	A201263-30
	Yellow	E0400-158	A201283-3	3336200-8	A201263-31
Double Set Screw 3 / 0 - 4 / 0	Green	E0400-181	A201283-1	3336200-9	A201263-1
	White	E0400-182	A201283-1	3336200-10	A201263-2
	Black	E0400-183	A201283-1	3336200-11	A201263-3
	Red	E0400-184	A201283-1	3336200-12	A201263-4
	Blue	E0400-185	A201283-1	3336200-13	A201263-5
	Brown	E0400-199	A201283-1	3336200-14	A201263-26
	Orange	E0400-195	A201283-1	3336200-15	A201263-23
	Yellow	E0400-192	A201283-1	3336200-16	A201263-25



1 Male insulator



2 Male contact



3 Polarizing shell

Assembled length is 7-1/4"

**Crouse-Hinds**  
by **F.T.M.**

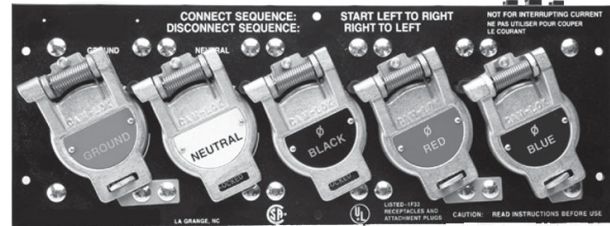
**Posi-Lok™ Plugs and Panels**  
**E0400 Series**  
**Cable Size #2 AWG - 4 / 0**  
**600V AC/DC**  
**Up to 400A Continuous**

11P

**Posi-Lok™ E0400 Series Male Panels**

**Features:**

- Designed to meet Article 520-53 Section K and Article 530-22 Section A (NEC) standards
- Sequential interlock system requires the user to connect and disconnect each plug in sequence
- Polarized panels eliminate the possibility of cross-phasing
- Proven Cam-Lok™ double cam principle provides a positive, vibration-proof connection
- No moving contact surfaces, eliminating arcing or burning of contacts
- Recessed contacts protected by insulating jacket that extends beyond contact ends for safety



**Testing and Code Compliance:**

- Listed to UL498, File No. E67181
- CSA certified to C22.2 No. 182.3-M1987, File No. LR13963

**Material Characteristics:**

- Insulator - TPE
- Temperature rating: -40°C to 105°C

**Ordering Information - Male Panels:**

Receptacles Per Panel	Cat. #	Cover Color Code
3	E0400-1660	GR, WH, BK
4	E0400-1661-NN	GR, BK, RD, BU
4	E0400-1672	GR, WH, BK, RD
4	E0400-1862-NN	GR, BRN, ORG, YEL
5	E0400-1662	GR, WH, BK, RD, BU
5	E0400-1703	GR, WH, BRN, ORG, YEL
6	E0400-1860	GR, WH, WH, BK, RD, BU

GR = Green; WH = White; BK = Black; RD = Red; BU = Blue; BRN = Brown; ORG = Orange; YEL = Yellow; NN = Panel without Neutral  
 Add "LS" suffix to end of catalog number to order panels with a limit switch. Available on all positions - consult factory. Limit switch ratings are [125, 250, 480 VAC, 15A], [125 VDC, .5A], [250 VDC, .25A]. **Plugs must be ordered separately.**

11P

# 11P Posi-Lok™ Plugs and Panels E0400 Series

**Cable Size #2 AWG - 4 / 0**  
**600V AC/DC**  
**Up to 200A Continuous**

## Posi-Lok™ E0400 Series Female Plugs, Crimp and Double Set Screw

### Features:

- Designed to meet Article 520-53 Section K and Article 530-22 Section A (NEC) standards
- Polarized plugs eliminate the possibility of cross-phasing
- Built-in strain relief reduces cable strain
- Proven Cam-Lok™ double cam principle provides a positive, vibration-proof connection
- No moving contact surfaces, eliminating arcing or burning of contacts
- Recessed contacts protected by insulating jacket that extends beyond contact ends for safety

### Testing and Code Compliance:

- Listed to UL498, File No. E67181
- CSA certified to C22.2 No. 182.3-M1987, File No. LR13963

### Material Characteristics:

- Insulator - TPE
- Polarizing shell - thermoplastic
- Temperature rating: -40°C to 105°C

### Ordering Information - Female Plugs:

Termination	Position	Complete Cat. #	Contact Only Cat. #	Insulator Cat. #	Polarizing Shell Cat. #
Crimp 1 / 0 - 2 / 0	Green	E0400-241	A201272-4	3336199-1	A201262-6
	White	E0400-242	A201272-4	3336199-2	A201262-7
	Black	E0400-243	A201272-4	3336199-3	A201262-8
	Red	E0400-244	A201272-4	3336199-4	A201262-9
	Blue	E0400-245	A201272-4	3336199-5	A201262-10
	Brown	E0400-246	A201272-4	3336199-6	A201262-27
	Orange	E0400-247	A201272-4	3336199-7	A201262-28
	Yellow	E0400-248	A201272-4	3336199-8	A201262-29
Crimp 3 / 0 - 4 / 0	Green	E0400-261	A201272-2	3336199-9	A201262-1
	White	E0400-262	A201272-2	3336199-10	A201262-2
	Black	E0400-263	A201272-2	3336199-11	A201262-3
	Red	E0400-264	A201272-2	3336199-12	A201262-4
	Blue	E0400-265	A201272-2	3336199-13	A201262-5
	Brown	E0400-266	A201272-2	3336199-14	A201262-26
	Orange	E0400-267	A201272-2	3336199-15	A201262-23
	Yellow	E0400-268	A201272-2	3336199-16	A201262-25
Double Set Screw #2 - 2 / 0	Green	E0400-251	A201284-3	3336199-1	A201262-6
	White	E0400-252	A201284-3	3336199-2	A201262-7
	Black	E0400-253	A201284-3	3336199-3	A201262-8
	Red	E0400-254	A201284-3	3336199-4	A201262-9
	Blue	E0400-255	A201284-3	3336199-5	A201262-10
	Brown	E0400-256	A201284-3	3336199-6	A201262-27
	Orange	E0400-257	A201284-3	3336199-7	A201262-28
	Yellow	E0400-258	A201284-3	3336199-8	A201262-29
Double Set Screw 3 / 0 - 4 / 0	Green	E0400-281	A201284-1	3336199-9	A201262-1
	White	E0400-282	A201284-1	3336199-10	A201262-2
	Black	E0400-283	A201284-1	3336199-11	A201262-3
	Red	E0400-284	A201284-1	3336199-12	A201262-4
	Blue	E0400-285	A201284-1	3336199-13	A201262-5
	Brown	E0400-299	A201284-1	3336199-14	A201262-26
	Orange	E0400-295	A201284-1	3336199-15	A201262-23
	Yellow	E0400-292	A201284-1	3336199-16	A201262-25



1 Female insulator



2 Female contact



3 Polarizing shell

Assembled length is 7-1/4"

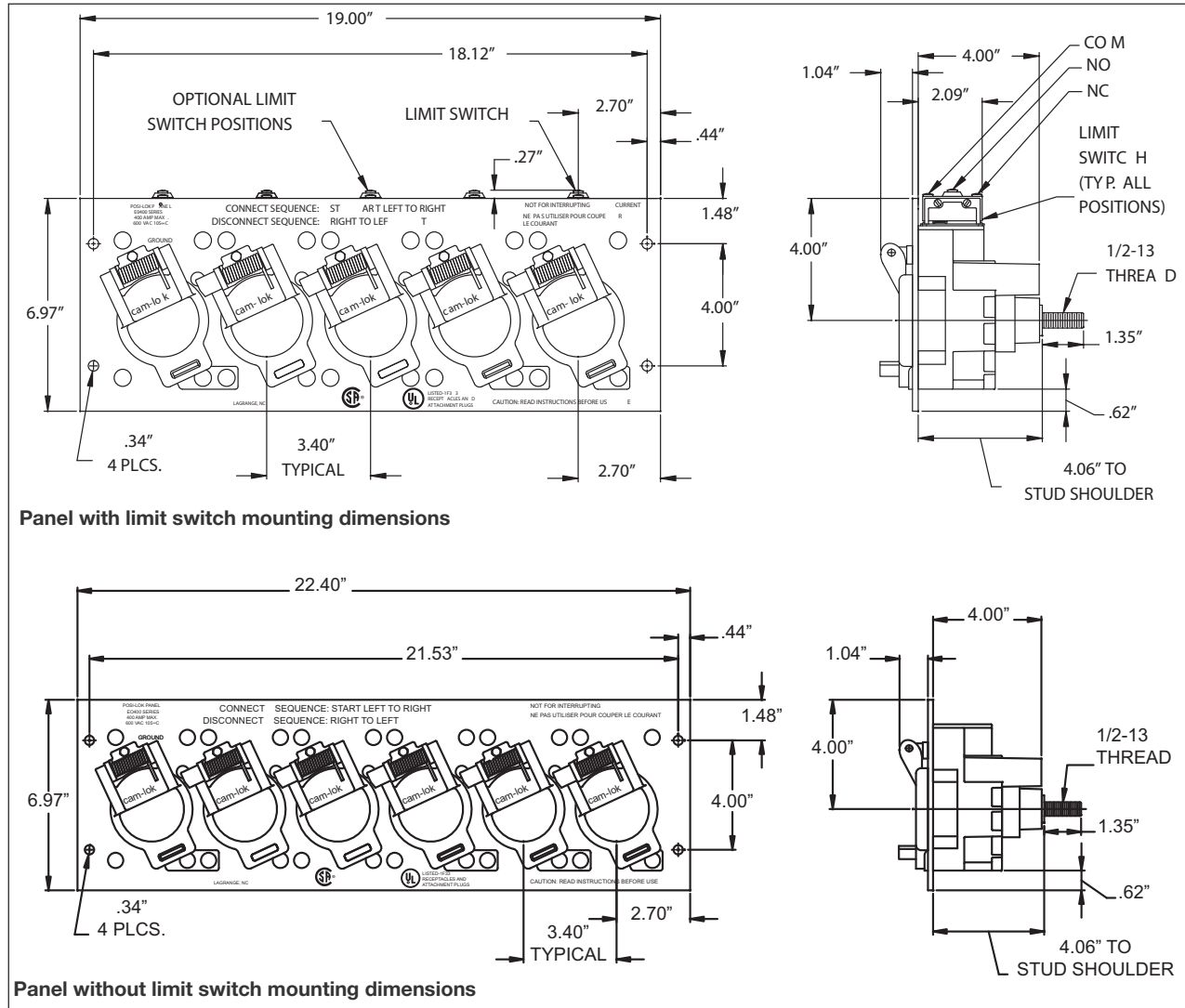


# Posi-Lok™ Plugs and Panels E0400 Series

Cable Size #2 AWG - 4 / 0  
600V AC/DC  
Up to 200A Continuous

11P

## Dimensions:



## Protective Plug Caps:

Cat. #	Description
A100601-17	Cap for Male E0400
A100602-17	Cap for Female E0400
A201319-1	Cap for Male E0200
A201319-1	Cap for Female E0200

11P

# 11P Posi-Lok™ Tools and Accessories

## Replacement Parts, Crimping Nest and Presses

### Ordering Information:

Cat. #	Description
A400001	Assembly Tool
A100632	Tool for Removing Contacts from Insulators
A100072	Cable Cutter - #2 - 4 / 0 Cable
201310	Insulator Holding Bracket
A201303	Assembly Tool for 200A Plugs
A200020-3	COM-A-LONG for Pulling Male Contact
A200020-4	COM-A-LONG for Pulling Female Contact
A101208	2 Oz. Tube Silicon Grease for Lubricating Mating End of Synthetic Rubber Insulators

### Ordering Information - Crimping Nest and Presses:

Cable Size	Crimping Nests Cat. #	Crimping Presses (Includes Crimp Nest) Cat. #
#2 - #1	100514-3	A200914-3
1 / 0 - 2 / 0	100514-4	A200914-4
3 / 0	100514-5	A200914-5
4 / 0	100514-6	A200914-6

### Ordering Information - Other Accessories:

Connector Series	Set Screw Cat. #	Copper Shim Cat. #	Pressure Pad Cat. #	Retaining Wire Cat. #
E0200	100012-33	100400-5	-	100573-1
E0400	100012-18	100400-8	101214	100573-1



11P