

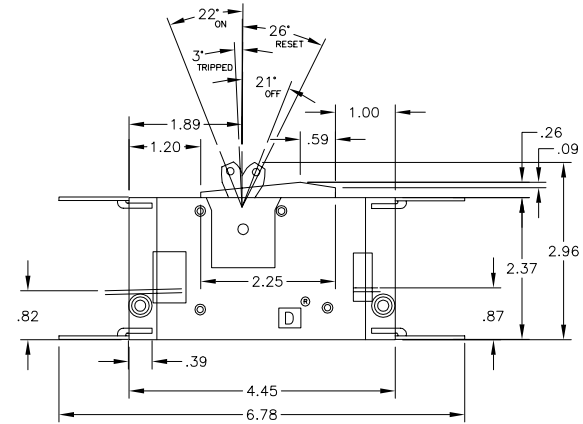
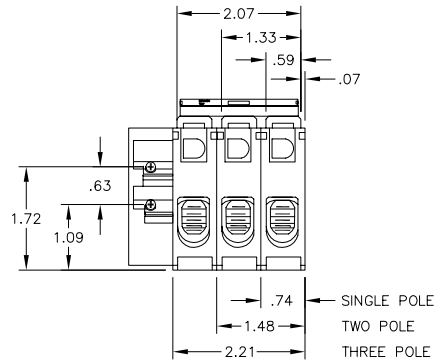
120/240 VAC	
PART NO.	AMP RATING
QOU(*)70	70
QOU(*)80	80
QOU(*)90	90
QOU(*)100	100
QOU(*)125	125

(\*) = NUMBER OF POLES (1,2,OR 3)  
 "B" SUFFIX INDICATES 40 CT. BULK PKG'S.  
 1 AND 2 POLE NOT AVAILABLE W/70 AMP RATING  
 1 POLE NOT AVAILABLE W/125 AMP RATING

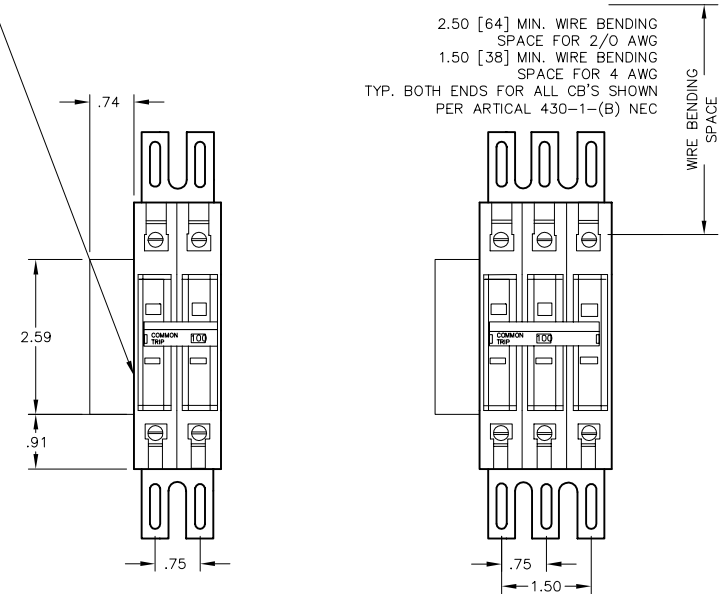
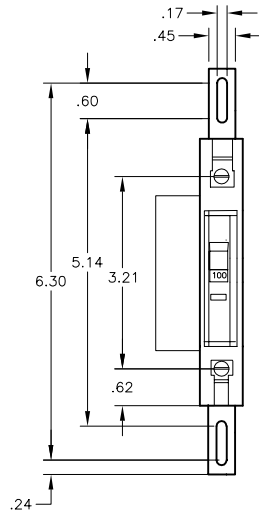
**CIRCUIT BREAKERS**  
 ONE, TWO, AND THREE POLE BREAKERS:  
 120/240 VAC  
 10,000 AMP INTERRUPTING CAPACITY  
 CALIBRATED FOR 40 DEGREES CELCIUS

**SWITCHES**  
 NOT AVAILABLE IN SINGLE POLE  
 TWO POLE: 100 & 125A 240 VAC  
 THREE POLE: 100 & 125A 240 VAC  
 CAN BE USED ON CIRCUITS CAPABLE  
 OF DELIVERING 10,000 AMPS WHEN  
 PROTECTED BY A CIRCUIT  
 BREAKER OF SIMILAR AMPERAGE  
 LUGS RATED FOR #4 - 2/0 75 C WIRE ONLY  
 SIMULTANEOUS SWITCHING ON AND OFF OF ALL POLES

Catalog Number: SEE CHART  
 Ratings: SEE CHART  
 UL File/Guide: CB'S: E84905 SWITCHES: E87159  
 CSA File/Guide: CB'S: LR40970 SWITCHES: LR40969  
 Meets Standards: UL LISTED AS HACR EXCEPT 10 AMP  
 Weight: -  
 Wire Size: #4 - 2/0 75 C WIRE ONLY  
 Terminal torque: -  
 Mounting Hwd.: FLUSH & SURFACE MOUNT



VISI - TRIP WINDOW:  
 SIMULTANEOUS OPENING AND CLOSING OF ALL POLES  
 WHEN CIRCUIT BREAKER TRIPS, HANDLE ASSUMES CENTER  
 POSITION AND RED INDICATOR APPEARS NEAR WINDOW



"THE SQUARE D COMPANY HAS PROPRIETARY RIGHTS TO THE INFORMATION CONTAINED HEREON. THIS INFORMATION REMAINS THE PROPERTY OF SQUARE D COMPANY AND MAY BE USED ONLY IN CONFORMANCE WITH INSTRUCTIONS ISSUED BY SQUARE D COMPANY. USER SHOULD VERIFY DRAWINGS ARE TO THE LATEST/CURRENT REVISION PRIOR TO INCORPORATING IN A DESIGN FILE."

**DO NOT SCALE DRAWING**  
 UNLESS OTHERWISE SPECIFIED DIMENSIONS ARE IN INCHES

THIRD ANGLE PROJECTION  
 TOLERANCES  
 UNLESS OTHERWISE SPECIFIED  
 2 PLACE DECIMALS ± .01

QOU HIGH AMP CIRCUIT BREAKER  
 70-125 AMP

**SQUARE D COMPANY**

DWG# QOU\_1-3P\_125A\_OUTLINE\_001  
 NO.