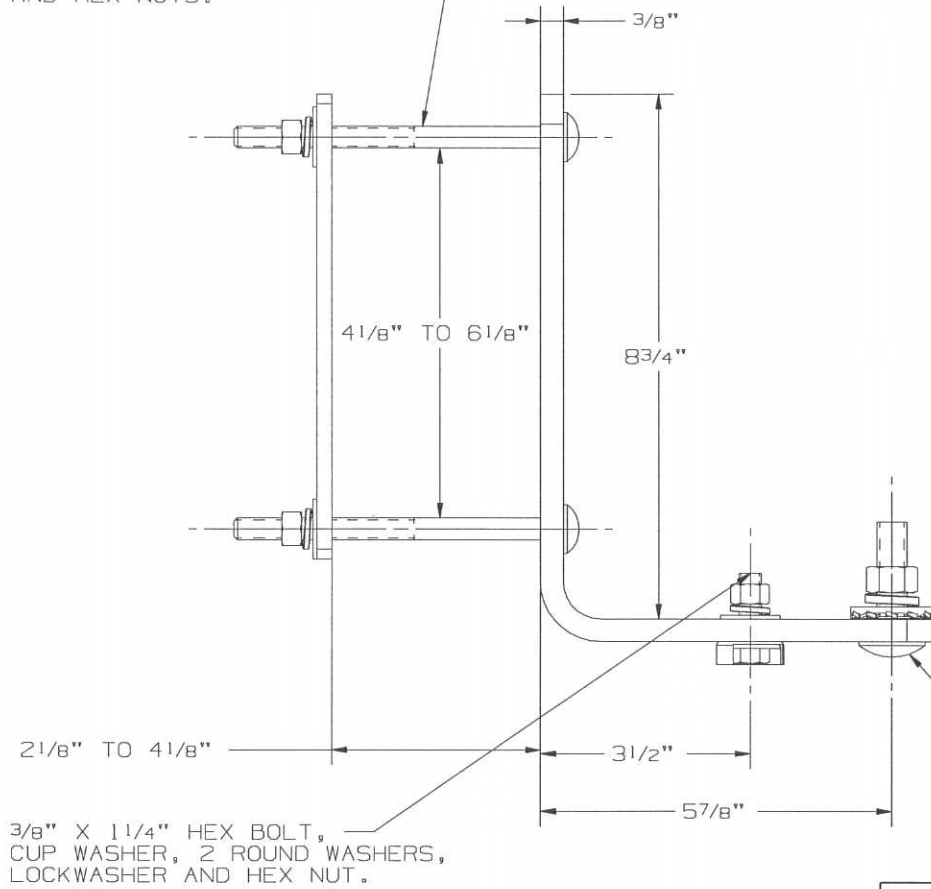


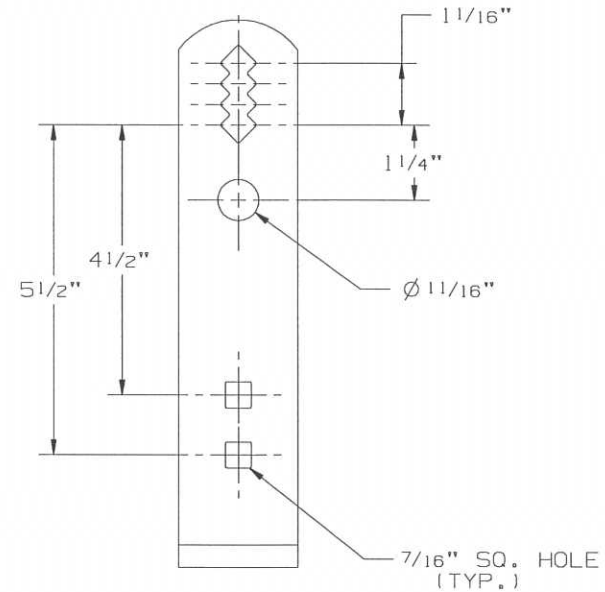
3/8" X 5 1/2" CARRIAGE BOLTS WITH ROUND WASHERS, LOCKWASHERS AND HEX NUTS.



3/8" X 1 1/4" HEX BOLT, CUP WASHER, 2 ROUND WASHERS, LOCKWASHER AND HEX NUT.

NOTES :

1.) MATERIAL: STEEL, HOT DIP GALVANIZED PER ASTM A153.



1/2" X 2" CARRIAGE BOLT, EXT. TOOTH LOCKWASHER, ROUND WASHER, SPRING LOCKWASHER AND HEX NUT. (BOLT HELD CAPTIVE)

CATALOG NUMBER : DM56B4

LATEST EC NO:		REV.	DATE	CHANGED BY	RESP ENGINEER
---		-	-----	---	---
				DO NOT SCALE THIS DWG	THIRD ANGLE PROJECTION
				ISO DUAL DIMENSIONS IN=INCH, MM=MILLIMETER	
DRN BY:	DATE	TITLE:			
JJL	09-03-10	CUTOUT/ARRESTER BRACKET			
		HUBBELL POWER SYSTEMS			CHANCE
		CAE CAD CAM			DWG NO: SADM56B4

CONFIDENTIAL: THIS DRAWING AND ITS CONTENTS ARE CONFIDENTIAL AND THE EXCLUSIVE PROPERTY OF HUBBELL/A.B. CHANCE COMPANY. NO PUBLICATION, DISTRIBUTION OR COPIES MAY BE MADE WITHOUT WRITTEN CONSENT BY HUBBELL / A.B. CHANCE COMPANY. © 2001 HUBBELL/A.B. CHANCE. UNPUBLISHED - ALL RIGHTS RESERVED UNDER THE COPYRIGHT LAWS