

NEER Aluminum Threaded Conduit Bodies

For Rigid Conduit and IMC

LB-D, LL-D, LR-D, LC, TC: Threaded

Applications



- For threaded rigid conduit or IMC.
- Provides access to the interior of the raceway for wire pulling, splicing and maintenance.

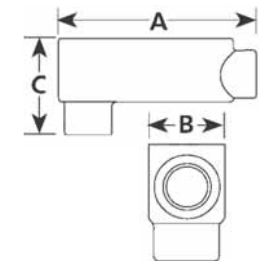
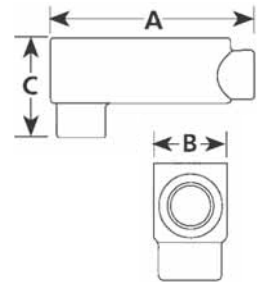
Standard Material/Finish

- Diecast aluminum/epoxy powder coat

Certifications and Compliances

- UL Standard: 514A
- UL Listed: E53330
- CSA Standard: C22.2 No. 18.3
- CSA Certified: 208044
- NEMA: FB-1

	Trade Size (Inches)	Catalog Number Threaded	Dimensions in Inches/ Millimeters			Volume in ³ /dm ³	Max. No. Conductors
			A	B	C		
	1/2	LB-50-D	4.40/ 111.8	1.31/ 33.3	2.20/ 55.9	4.30/ 0.1	N/A †
	3/4	LB-75-D	5.17/ 131.3	1.53/ 38.9	2.56/ 65.0	7.30/ 0.1	3 #6AWG
	1	LB-100-D	5.79/ 147.1	1.74/ 44.2	2.74/ 69.6	12.20/ 0.2	3 #4AWG
	1-1/4	LB-125-D	7.79/ 197.9	2.49/ 63.2	3.50/ 88.9	32.30/ 0.5	3 #2AWG
	1-1/2	LB-150-D	7.81/ 198.4	2.49/ 63.2	3.65/ 92.7	33.80/ 0.6	3 #2AWG
	2	LB-200-D	10.20/ 259.1	3.10/ 78.7	4.26/ 108.2	71.20/ 1.2	3 #4/0AWG
	2-1/2	LB-250-D	13.14/ 333.8	4.33/ 110.0	5.75/ 146.1	153.00/ 2.5	3 #4/0AWG
	3	LB-300-D	13.14/ 333.8	4.33/ 110.0	6.41/ 162.8	183.50/ 3.0	3 #4/0AWG
	3-1/2	LB-350-D	15.46/ 392.7	5.43/ 137.9	7.11/ 180.6	304.90/ 5.0	3 #350MCM
	4	LB-400-D	14.46/ 367.3	5.43/ 137.9	7.20/ 182.9	308.00/ 5.0	3 #350MCM
	1/2	LL-50-D	4.40/ 111.8	2.06/ 52.3	1.40/ 35.6	4.30/ 0.1	N/A †
	3/4	LL-75-D	5.07/ 128.8	2.26/ 57.4	1.88/ 47.8	7.30/ 0.1	3 #6AWG
	1	LL-100-D	5.94/ 150.9	2.68/ 68.1	2.14/ 54.4	12.20/ 0.2	3 #4AWG
	1-1/4	LL-125-D	7.87/ 199.9	3.50/ 88.9	2.97/ 75.4	35.40/ 0.6	3 #2AWG
	1-1/2	LL-150-D	7.87/ 199.9	3.50/ 88.9	2.97/ 75.4	35.80/ 0.6	3 #1/0AWG
	2	LL-200-D	10.20/ 259.1	3.83/ 97.3	3.65/ 92.7	69.70/ 1.1	3 #4/0AWG




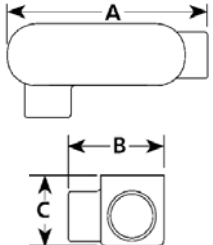

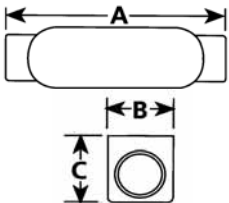

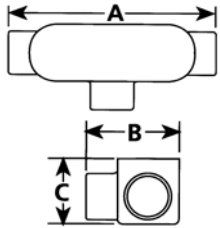
† Does not apply.

NEER Aluminum Threaded Conduit Bodies

For Rigid Conduit and IMC

Commercial Products

COMMERCIAL PRODUCTS: CONDUIT BODIES – EMT

	Trade Size (Inches)	Catalog Number Threaded	Dimensions in Inches/ Millimeters			Volume in ³ /dm ³	Max. No. Conductors	
			A	B	C			
	1/2	LR-50-D	4.40/ 111.8	2.06/ 52.3	1.40/ 35.6	4.30/ 0.1	N/A †	
	3/4	LR-75-D	5.07/ 128.8	2.26/ 57.4	1.88/ 47.8	7.30/ 0.1	3 #6AWG	
	1	LR-100-D	5.94/ 150.9	2.68/ 68.1	2.14/ 54.4	12.20/ 0.2	3 #4AWG	
	1-1/4	LR-125-D	7.87/ 199.9	3.50/ 88.9	2.97/ 75.4	35.80/ 0.6	3 #2AWG	
	1-1/2	LR-150-D	7.87/ 199.9	3.50/ 88.9	2.97/ 75.4	35.80/ 0.6	3 #1/0AWG	
	2	LR-200-D	10.20/ 259.1	3.83/ 97.3	3.65/ 92.7	69.70/ 1.1	3 #4/0AWG	
	1/2	LC-50	4.82/ 122.4	1.31/ 33.3	1.40/ 35.6	4.30/ 0.1	N/A †	
	3/4	LC-75	5.50/ 139.7	1.53/ 38.9	1.64/ 41.7	7.30/ 0.1	3 #6AWG	
	1	LC-100	6.44/ 163.6	1.74/ 44.2	1.90/ 48.3	12.20/ 0.2	3 #4AWG	
	1-1/4	LC-125	8.45/ 214.6	2.49/ 63.2	2.73/ 69.3	33.40/ 0.5	3 #2AWG	
	1-1/2	LC-150	8.45/ 214.6	2.49/ 63.2	2.73/ 69.3	33.50/ 0.5	3 #1/0AWG	
	2	LC-200	10.71/ 272.0	3.10/ 78.7	3.41/ 86.6	69.50/ 1.1	3 #4/0AWG	
	1/2	TC-50	4.82/ 122.4	2.06/ 52.3	1.40/ 35.6	4.30/ 0.1	N/A †	
	3/4	TC-75	5.50/ 139.7	2.28/ 57.9	1.64/ 41.7	7.30/ 0.1	3 #6AWG	
	1	TC-100	6.44/ 163.6	2.68/ 68.1	1.90/ 48.3	12.20/ 0.2	3 #4AWG	
	1-1/4	TC-125	8.45/ 214.6	3.50/ 88.9	2.73/ 69.3	33.10/ 0.5	3 #2AWG	
	1-1/2	TC-150	8.45/ 214.6	3.50/ 88.9	2.73/ 69.3	33.10/ 0.5	3 #1/0AWG	
	2	TC-200	10.71/ 272.0	3.83/ 97.3	3.41/ 86.6	67.00/ 1.1	3 #4/0AWG	

† Does not apply.

NEER Aluminum Conduit Body Accessories

For Rigid Conduit and IMC

CC: Aluminum Covers with Screws

Applications

- Cover for LB-D, LR-D, LL-D, LC and TC Series conduit bodies.

Standard Material/Finish

- Diecast aluminum/epoxy powder coat

Certifications and Compliances

- UL Standard: 514A
- UL Listed: E53330
- CSA Standard: C22.2 No. 18.3
- CSA Certified: 208044
- NEMA: FB-1



FG: Fiber Gaskets

Applications

- Cover gasket to provide sealing for LB-D, LR-D, LL-D, LC and TC Series conduit bodies.

Standard Material/Finish

- Fiber



NG: Neoprene Gaskets


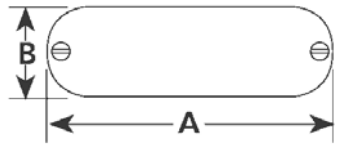

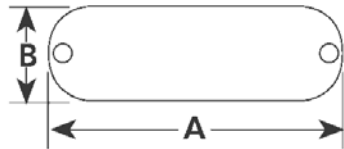

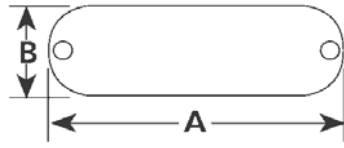
Applications

- Cover gasket to provide sealing for LB-D, LR-D, LL-D, LC and TC Series conduit bodies.

Standard Material/Finish

- Neoprene



	Trade Size (Inches)	Catalog Number	Dimensions in Inches/Millimeters		
			A	B	
	1/2	CC-50	3.90/99.1	1.37/34.8	
	3/4	CC-75	4.70/119.4	1.60/40.6	
	1	CC-100	5.40/137.2	1.78/45.2	
	1-1/4 and 1-1/2	CC-125	7.25/184.2	2.52/64.0	
	2	CC-200	9.50/241.3	3.11/79.0	
	2-1/2 and 3	CC-250	12.13/308.1	4.45/113.0	
	3-1/2 and 4	CC-400	14.94/379.5	5.50/139.7	
	1/2	FG-50	3.90/99.1	1.37/34.8	
	3/4	FG-75	4.60/116.8	1.56/39.6	
	1	FG-100	5.34/135.6	1.73/43.9	
	1-1/4 and 1-1/2	FG-125	7.25/184.2	2.51/63.8	
	2	FG-200	9.50/241.3	3.05/77.5	
	2-1/2 and 3	FG-250	12.13/308.1	4.39/111.5	
	3-1/2 and 4	FG-400	14.88/378.0	5.43/137.9	
	1/2	NG-50	3.90/99.1	1.37/34.8	
	3/4	NG-75	4.60/116.8	1.56/39.6	
	1	NG-100	5.34/135.6	1.73/43.9	
	1-1/4 and 1-1/2	NG-125	7.25/184.2	2.51/63.8	
	2	NG-200	9.50/241.3	3.05/77.5	
	2-1/2 and 3	NG-250	12.13/308.1	4.39/111.5	
	3-1/2 and 4	NG-400	14.88/378.0	5.43/137.9	