

Zinc Liquidtight Connectors

For Liquidtight Flexible Metal Conduit & Type B Non-Metallic Conduit

Type LMM

Straight

Use:

Terminate and seal liquidtight flexible metal conduit to either oiltight, liquidtight or raintight box or enclosure. Connectors can be used with tapered thread female entry or unthreaded knockout using the provided sealing washer and locknut.

Features:

- Furnished with locknut and sealing ring
- Liquidtight/Raintight/Oiltight
- Suitable for grounding (through 1¼")
- Suitable for wet locations

Material/Finish:

Zinc Die Cast

Third Party Certification:



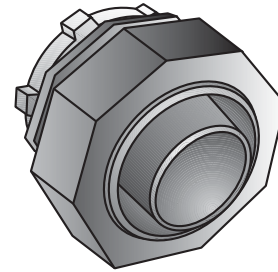
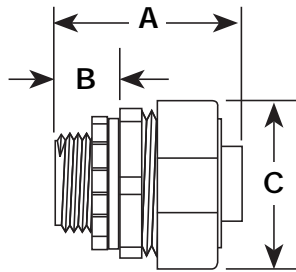
UL Listed: E-32539



LMM-01 through LMM-61
LMM-02 through LMM-62
CSA Certified: LR14489
LMM-71 through LMM-91
LMM-72 through LMM-92
CSA Certified: LR39354

Applicable Third Party Standards:

UL Standard: 514B
CSA Standard: C22.2 No. 18
NEMA: FB-1
Fed. Spec: W-F-406D,
Type 1, Class 3, Style 1



Type LMM-01

Trade Size (inches)	Catalog Number	Insulated Throat Catalog Number	Dimensions in Inches		
			A	B	C Dia.
⅜*	LMM-01	LMM-02	1.49	0.53	1.28
½	LMM-11	LMM-12	1.49	0.53	1.28
¾	LMM-21	LMM-22	1.53	0.53	1.56
1	LMM-31	LMM-32	1.95	0.66	1.81
1¼	LMM-41	LMM-42	2.06	0.67	2.25
1½	LMM-51	LMM-52	2.06	0.67	2.50
2	LMM-61	LMM-62	2.04	0.67	3.00
2½	LMM-71	LMM-72	3.54	1.02	3.68
3	LMM-81	LMM-82	4.05	1.07	4.38
3½	LMM-85	LMM-86	4.44	1.09	4.98
4	LMM-91	LMM-92	4.99	1.15	5.54

*⅜" fits ½" KO

Zinc Liquidtight Connectors

For Liquidtight Flexible Metal Conduit & Type B Non-Metallic Conduit

Type LML

90°

Use:

Terminate and seal liquidtight flexible metal conduit, at 90° angle, to either oiltight, liquidtight or raintight box or enclosure. Connectors can be used with tapered thread female entry or unthreaded knockout using the provided sealing washer and locknut.


Features:

- Furnished with locknut and sealing ring
- Liquidtight/Raintight/Oiltight
- Suitable for grounding (through 1¼")
- Suitable for Wet Locations

Material/Finish:

Zinc Die Cast

Third Party Certification:

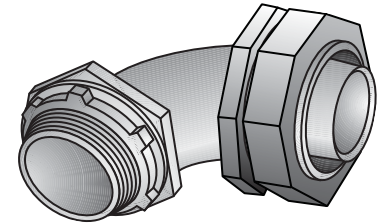
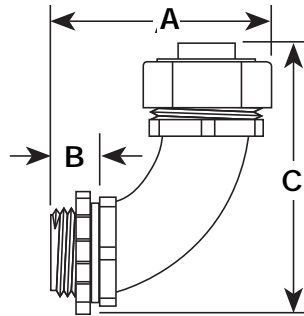
 UL Listed: E-32539



LML-01 through LML-61
LML-02 through LML-62
CSA Certified: LR14489
LML-71 through LML-91
LML-72 through LML-92
CSA Certified: LR39354

Applicable Third Party Standards:

UL Standard: 514B
CSA Standard: C22.2 No. 18
NEMA: FB-1
Fed. Spec: W-F-406D,
Type 1, Class 3, Style K



Type LML-01

Trade Size (inches)	Catalog Number	Insulated Throat Catalog Number	Dimensions in Inches		
			A	B	C
⅜*	LML-01	LML-02	2.15	0.53	2.40
½	LML-11	LML-12	2.15	0.53	2.45
¾	LML-21	LML-22	2.42	0.53	2.64
1	LML-31	LML-32	2.90	0.66	3.34
1¼	LML-41	LML-42	3.40	0.67	3.76
1½	LML-51	LML-52	3.40	0.67	4.22
2	LML-61	LML-62	4.30	0.67	4.78
2½	LML-71	LML-72	5.75	1.03	7.00
3	LML-81	LML-82	6.00	0.99	7.25
3½	LML-85	LML-86	7.88	1.18	9.00
4	LML-91	LML-92	8.75	1.17	10.00

*⅜" fits ½" KO