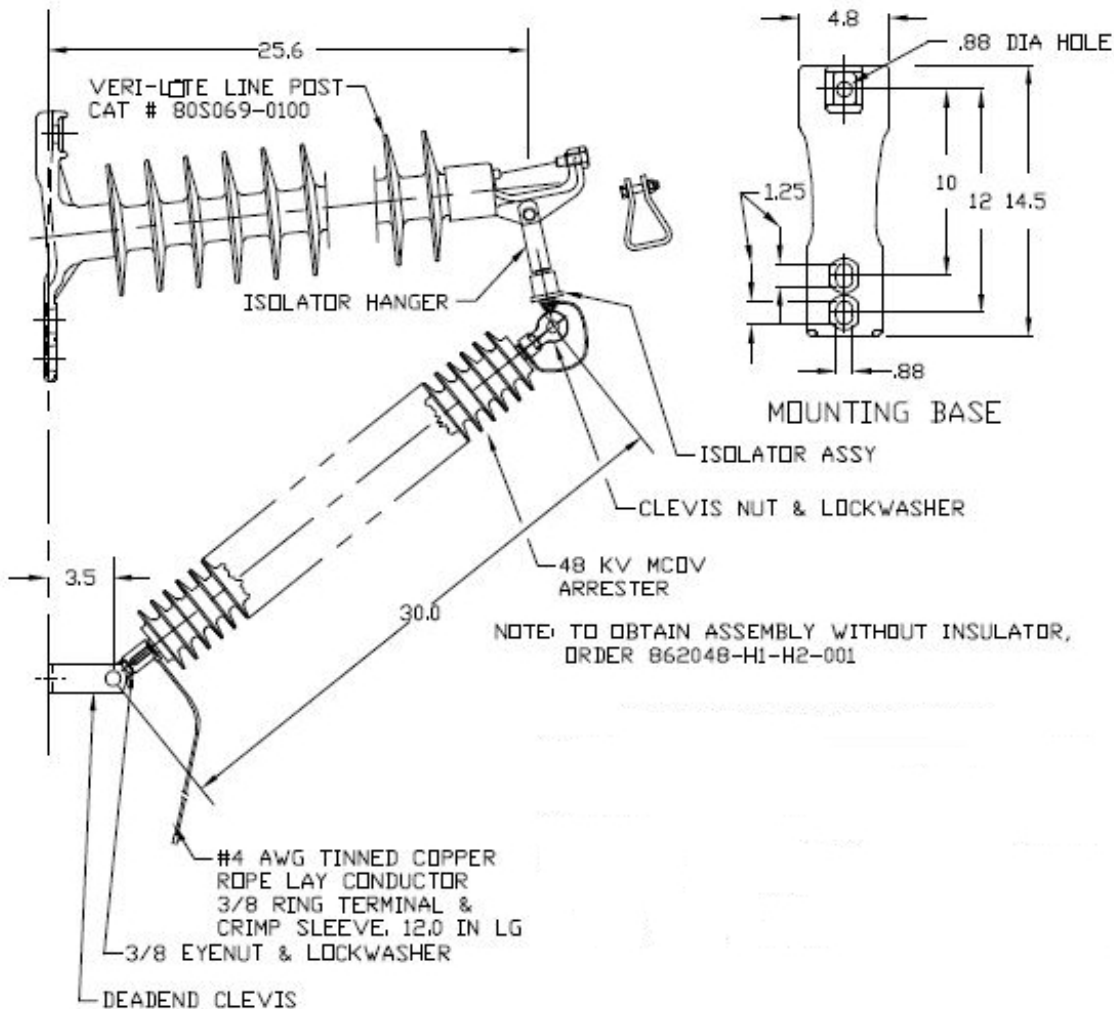




Product Datasheet

OHIO/BRASS

662048H1H2001 -- Protecta*Lite



48 kV MCOV
Arrester with
Insulator

Product Specifications

With Insulator	Yes
Construction Style	Horizontal Post Assembly
Line Voltage	69 kV
MCOV	48
Leakage Distance to Base	81.4 inches
Weight / Ea.	20.0 lbs
8/20 Maximum Discharge Voltage @ 1.5 kA	147.6 kV
8/20 Maximum Discharge Voltage @ 3 kA	157.4 kV
8/20 Maximum Discharge Voltage @ 5 kA	166.9 kV
8/20 Maximum Discharge Voltage @ 10 kA	183.4 kV
8/20 Maximum Discharge Voltage @ 20 kA	206.3 kV
8/20 Maximum Discharge Voltage @ 40 kA	245.5 kV
0.5 usec 10 kA Maximum IR	197.2 kV
500 A Switching Surge Maximum IR	141.5 kV
Standard Package	Each
Standard Package Unit	1
Insulator Type	Veri*Lite Line Post

Notes

Protecta*Lite assemblies can be customized for all distribution and transmission lines. This e-Catalog represents a sampling of typical configurations. Please contact your Ohio Brass representative for details. Selection of arrester MCOV size is based upon the maximum continuous voltage that is applied across the arrester in service (line-to-ground). For arresters on effectively grounded neutral systems, this is normally the maximum line-to-ground voltage — e.g., 84kV on a 138 kV system. For ungrounded or impedance-grounded systems, the MCOV should be at least 90 percent of maximum phase-to-phase voltage. For more information about arrester selection, please contact us.

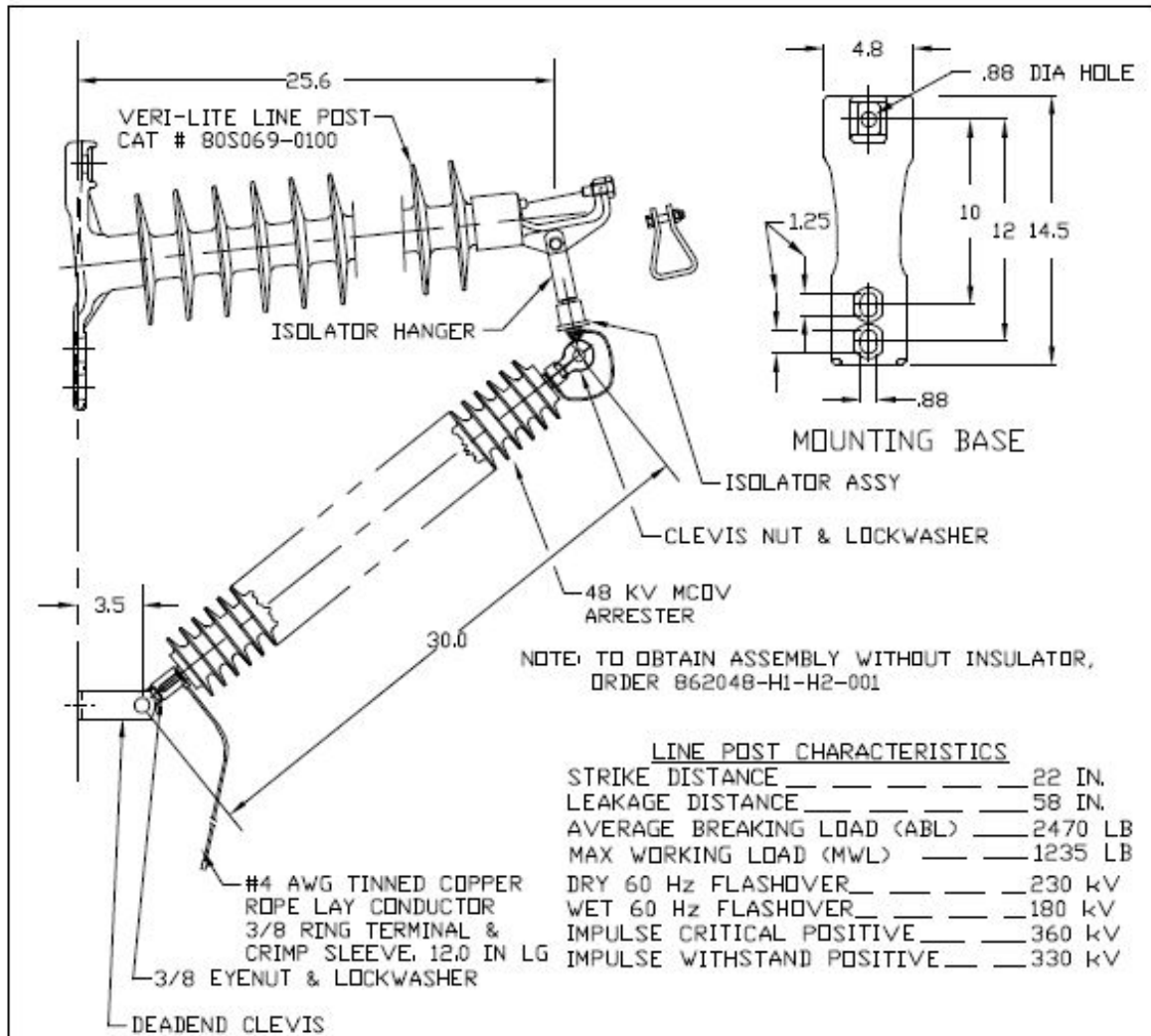
Features

Protecta*Lite assemblies allow for the elimination of an overhead shield wire and offer the following advantages:

Cost Savings	Performance Improvements
<ul style="list-style-type: none"> Shield Wire Material 	<ul style="list-style-type: none"> Lower Lightning Interruption Rate
<ul style="list-style-type: none"> Shield Wire Stringing Cost 	<ul style="list-style-type: none"> EMF Reduction
<ul style="list-style-type: none"> Less Costly Structures 	<ul style="list-style-type: none"> Reduced Visual Impact
<ul style="list-style-type: none"> Less Costly Foundations 	<ul style="list-style-type: none"> Reduced Breaker Operations
<ul style="list-style-type: none"> Shield Wire Power Losses Eliminated 	<ul style="list-style-type: none"> Prevents Backflash (OHSW does not)

Compressed Product Number

662048H1H2001




NOTE: TO OBTAIN ASSEMBLY WITHOUT INSULATOR,
ORDER 862048-H1-H2-001

LINE POST CHARACTERISTICS

STRIKE DISTANCE	22 IN.
LEAKAGE DISTANCE	58 IN.
AVERAGE BREAKING LOAD (ABL)	2470 LB
MAX WORKING LOAD (MWL)	1235 LB
DRY 60 Hz FLASHOVER	230 kV
WET 60 Hz FLASHOVER	180 kV
IMPULSE CRITICAL POSITIVE	360 kV
IMPULSE WITHSTAND POSITIVE	330 kV

ARRESTER LEAKAGE DISTANCE-81.4 IN WEIGHT-20 LBS.

.5 μ SEC 10kA IR kV	500 A SWITCHING SURGE IR kV	MAXIMUM 8/20 DISCHARGE VOLTAGE - kV AT					
		1.5 kA	3.0 kA	5 kA	10 kA	20 kA	40 kA
197.2	141.5	147.6	157.4	166.9	183.4	206.3	245.5

CONFIDENTIAL: THIS DRAWING AND ITS CONTENTS ARE CONFIDENTIAL AND THE EXCLUSIVE PROPERTY OF HUBBELL POWER SYSTEMS. NO PUBLICATION, DISTRIBUTION OR COPIES MAY BE MADE WITHOUT THE WRITTEN CONSENT OF HUBBELL POWER SYSTEMS. HUBBELL POWER SYSTEMS UNPUBLISHED ALL RIGHTS RESERVED UNDER THE COPYRIGHT LAWS.	 HUBBELL® POWER SYSTEMS		
	TITLE PROTECTA LITE 48 KV MCOV		
	SIZE DWG NO. S ---	CAT / PART / ASSY NO. 662048-H1-H2-001	REV 1
REV DATE 07/09/09	DO NOT SCALE THIS DRAWING	DRN BY JVR DATE 02/23/09	SHEET 1 OF 1

[Catalog Home](#)



[Warranty Info](#) | [Trademarks](#) | [Terms of Use](#)

All contents Copyright © 2007 Hubbell Power Systems, Inc. All rights reserved.

NOTE: Because Hubbell has a policy of continuous product improvement, we reserve the right to change design and specifications without notice.