



► Model AV1-LED

LED Flashing Combination Audible/Visual Signal

Model AV1-LED is a combination audible/visual signal. The AV1-LED features a 100% polycarbonate housing that is rated for Type 3R rain-tight applications.

All AV1-LED units feature a unique twist-and-lock dome design to allow for tool-free access to the LED. The fresnel lensing provides superior visibility in all directions.

The integrated buzzer provides 85 dBa output @ 10 feet (95 dBa @ 1 meter). The unit is capable of independent flashing light and sounder operation. The LED can be field adjusted to two flash patterns, 60 FPM or 75 FPM, via a jumper on the PC board.

Each unit is factory assembled with two color-coded leads. If desired, the user can remove the leads and connect directly to the terminal block located in the base of the unit.

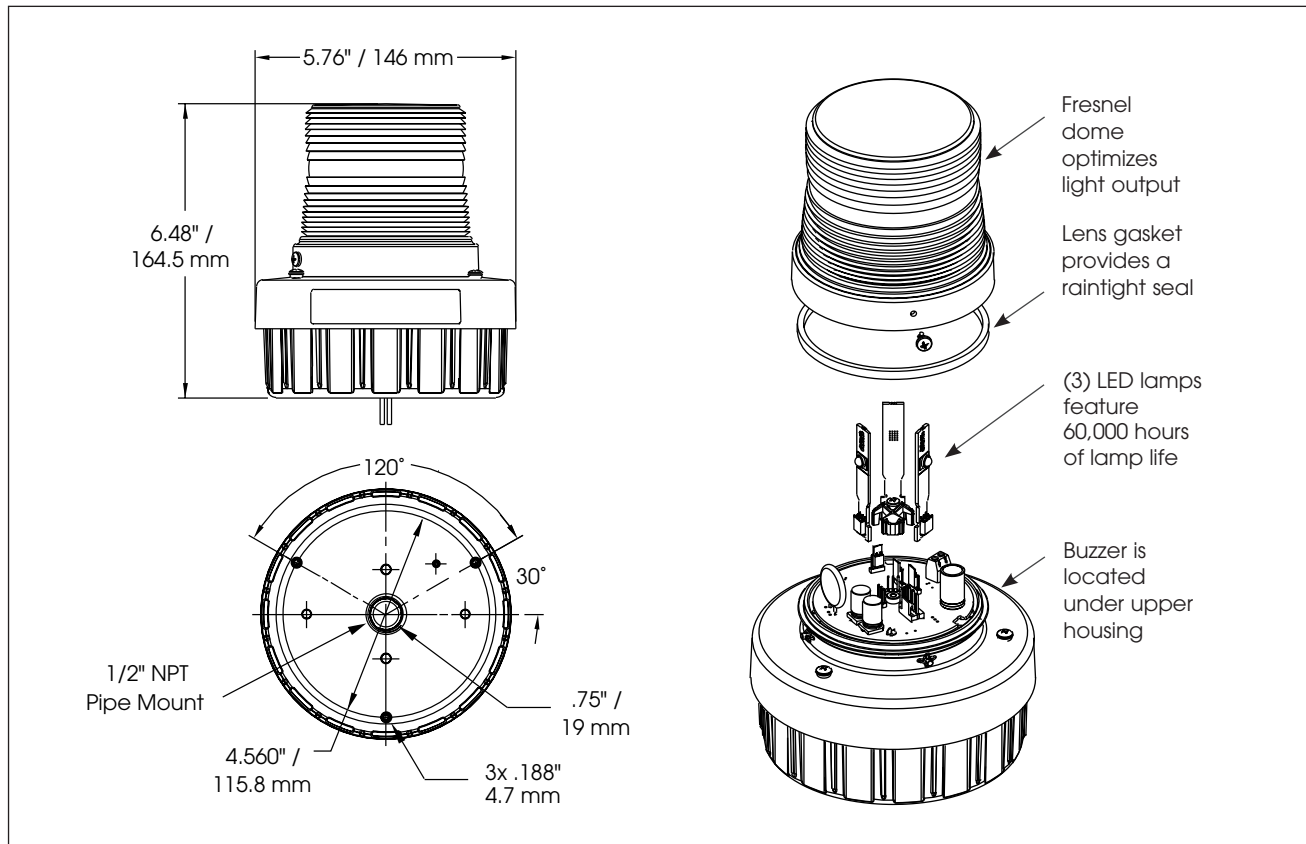
FEATURES

- Available in 24VDC and 120VAC
- 50,000 hour LED light source
- Surface mount, integrated 1/2-inch NPT pipe mount, and 4-inch electrical box mount
- Five lamp/lens colors:
Amber, Blue, Clear, Green and Red
- Twist-off lens for easy access
- Internal buzzer produces 85 dBa at 10' (95 dBa @ 1m)
- PLC compatible
- Type 3R enclosure
- UL and cUL Listed

MODEL	VOLTAGE	OPERATING CURRENT	FLASH RATE/ MINUTE	DECIBELS		MOUNT
				10'	1M	
AV1-LED-024 *	24VDC	0.27 amps	60/75	85	95	1/2" NPT Pipe/Surface
AV1-LED-120 *	120VAC	0.03 amps	60/75	85	85	1/2" NPT Pipe/Surface

* Indicates color: (A) Amber, (B) Blue, (C) Clear, (G) Green or (R) Red

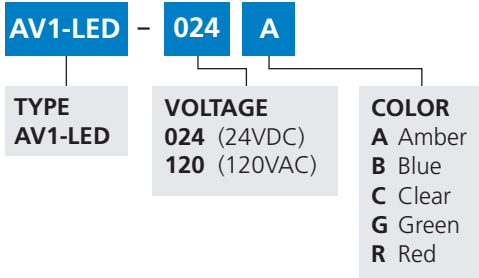
Audible/Visual Signaling Device (AV1-LED)



SPECIFICATIONS

Lamp Life:	50,000 Hours	
Light Source:	LED	
Operating Temperature:	-31°F to 150°F	-35°C to 66°C
Net Weight:	1.25 lbs	0.57 kg
Shipping Weight:	1.75 lbs	0.8 kg
Height:	6.48"	164.5 mm
Diameter:	5.76"	146 mm

HOW TO ORDER



REPLACEMENT PARTS

Description	Part Number
Dome Kit, Amber ¹	K8550292A-02
Dome Kit, Blue ¹	K8550292A-01
Dome Kit, Clear ¹	K8550292A
Dome Kit, Green ¹	K8550292A-04
Dome Kit, Red ¹	K8550292A-03
Buzzer, 24VDC	K8591002A-03
Buzzer, 120VAC	K8591002A
Amber LED	K2005633A-A
Blue LED	K2005633A-B
Green LED	K2005633A-G
Red LED	K2005633A-R
White LED	K2005633A-W

¹ Includes 1 lens gasket and 1 surface mount gasket

OPTIONAL ACCESSORIES

Description	Part Number
Corner Bracket	LCMB2*
Wall Bracket	LWMB2*
Hazardous Location Mounting Bracket	LHWB

* Rated for NEMA 3R installations
Mounting Brackets shown on pages 128-131