



[Catalog Home](#)

Product Datasheet

ANDERSON FARGO

BSD84S -- Strain Clamp, Quadrant, Heavy Duty



Strain Clamp, Quadrant, Heavy Duty, Bronze, Conductor Range 0.475 - 0.84 in, Fitting: Socket

Product Specifications

Category Image



Bolted Deadends

Aluminum & Bronze

Quadrant

Aluminum & Copper Conductor

Series Image (Quadrant)

BSD/BSDS Series



Quadrant Dead End

Bolted, Bronze

Copper & Copperweld® Conductor

PDF Catalog Page

[Click HERE to view the web page.](#)

Fitting Type

Socket

Style

BSD - Strain Clamp, Quadrant, Heavy Duty

Type

Bolted

Material

Bronze

Fitting Catalog No.

SA-06

Voltage Application

Std

Body Material

Aluminum Bronze Alloy

Keeper Material

Electrical Bronze

Socket and Clevis Material

Galvanized Ductile Iron

Cotter Pin Material

#302 Stainless Steel

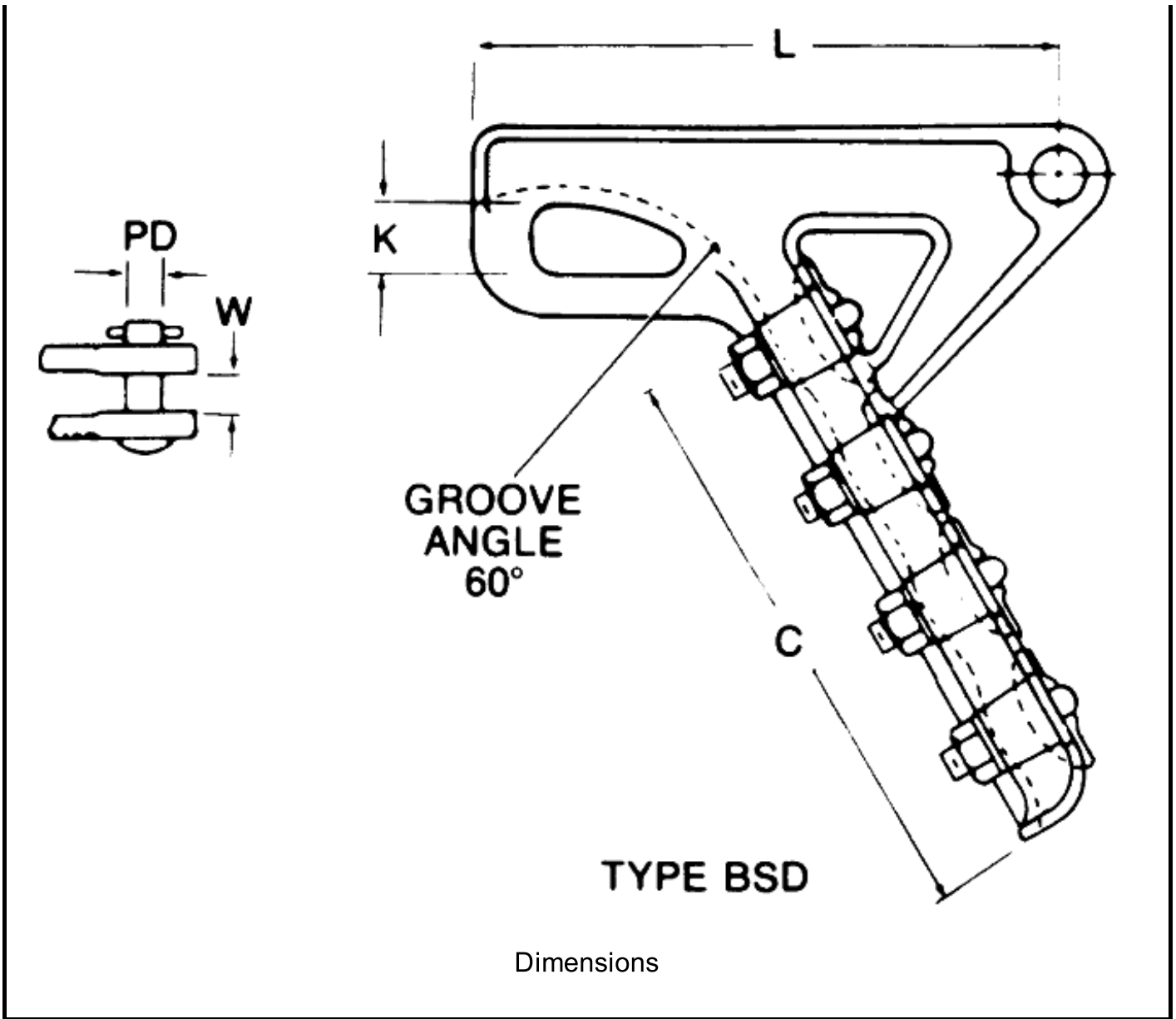
Hardware Material	Galvanized Steel
Ultimate Body Strength	25,000 lb (11,340 kg)
U-Bolts	4
Bolt Size	.50 in (12.70 mm)
Dimension C	12 in (304.80 mm)
Dimension K	1.25 in (31.75 mm)
Dimension L	12 in (304.80 mm)
Dimension W	1 in (25.40 mm)
Conductor Range Minimum - Maximum	Cu 4/0 str (7) Thru Cu 500 kcmil (37)
Minimum Conductor Diameter	0.475
Maximum Conductor Diameter	0.84
Weight / Ea.	13.72 lbs
Standard Package	5
UPC Code	09635929281

Notes

For use with ANSI class 52-3 & 52-5 insulators.

Compressed Product Number

BSD84S



[Catalog Home](#)



[Warranty Info](#) | [Trademarks](#) | [Terms of Use](#)

All contents Copyright © 2007 Hubbell Power Systems, Inc. All rights reserved.

NOTE: Because Hubbell has a policy of continuous product improvement, we reserve the right to change design and specifications without notice.