



Price\* : 623.00 USD



### Main

Range of product	Modicon M340 automation platform
Product or component type	Analog input module
Electrical connection	1 connector 28 ways
Input output isolation	Non isolated
Input level	High level
Analogue input number	8
Analogue input type	Current +/- 20 mA Current 0...20 mA Current 4...20 mA Voltage +/- 10 V Voltage +/- 5 V Voltage 0...10 V Voltage 0...5 V Voltage 1...5 V

### Complementary

Analog/Digital conversion	16 bits
Analogue input resolution	15 bits + sign
Input impedance	10 MOhm
Permitted overload on inputs	+/- 30 mA 0...20 mA +/- 30 mA 4...20 mA +/- 30 V +/- 10 V +/- 30 V +/- 5 V +/- 30 V 0...10 V +/- 30 V 0...5 V +/- 30 V 1...5 V +/- 30 mA +/- 20 mA
Internal conversion resistor	250 Ohm
Precision of internal conversion resistor	0.1 % - 15 ppm/°C
Type of filter	First order digital filtering

Fast read cycle time	1 ms + 1 ms x number of channels used
Nominal read cycle time	9 ms for 8 channels
Measurement error	<= 0.1 % of full scale +/- 10 V 0...60 °C <= 0.1 % of full scale +/- 5 V 0...60 °C <= 0.1 % of full scale 0...10 V 0...60 °C <= 0.1 % of full scale 0...5 V 0...60 °C <= 0.1 % of full scale 1...5 V 0...60 °C <= 0.3 % of full scale +/- 20 mA 0...60 °C <= 0.3 % of full scale 0...20 mA 0...60 °C <= 0.3 % of full scale 4...20 mA 0...60 °C 0.15 % of full scale +/- 20 mA 25 °C 0.15 % of full scale 0...20 mA 25 °C 0.15 % of full scale 4...20 mA 25 °C 0.08 % of full scale +/- 10 V 25 °C 0.08 % of full scale 0...10 V 25 °C 0.08 % of full scale 0...5 V 25 °C 0.08 % of full scale 1...5 V 25 °C 0.08 % of full scale +/- 5 V 25 °C <= 0.2 % of full scale +/- 10 V 0...60 °C
Temperature drift	30 ppm/°C 50 ppm/°C
Recalibration	Factory calibrated
Common mode between channels	>= 120 dB
Digital value format	+/- 10000 by default +/- 32000 in user scale
Isolation voltage	1400 V DC between channels and ground 1400 V DC between channels and bus 50 V DC between channels
Measurement resolution	0.36 mV +/- 10 V 0.36 mV 0...10 V 0.36 mV 0...5 V 0.36 mV 1...5 V 0.36 mV +/- 5 V 1.4 µA +/- 20 mA 1.4 µA 0...20 mA 1.4 µA 4...20 mA
Maximum conversion value	+/- 11.4 V +/- 10 V +/- 11.4 V 0...10 V +/- 11.4 V 0...5 V +/- 11.4 V 1...5 V 0...30 mA +/- 20 mA 0...30 mA 0...20 mA 0...30 mA 4...20 mA 0...30 mA +/- 5 V
Status LED	1 LED green RUN 1 LED per channel green channel diagnostic 1 LED red ERR 1 LED red I/O
Product weight	0.36 lb(US) (0.165 kg)
Current consumption	30 mA at 24 V DC 150 mA at 3.3 V DC

## Environment

Ambient air temperature for operation	32...140 °F (0...60 °C)
Relative humidity	10...95 % without condensation
IP degree of protection	IP20
Protective treatment	TC

## Ordering and shipping details

Category	18160 - MODICON M340
Discount Schedule	PC34
GTIN	00785901674030
Nbr. of units in pkg.	1
Package weight(Lbs)	0.3500000000000003

Returnability	Y
Country of origin	FR

### Offer Sustainability

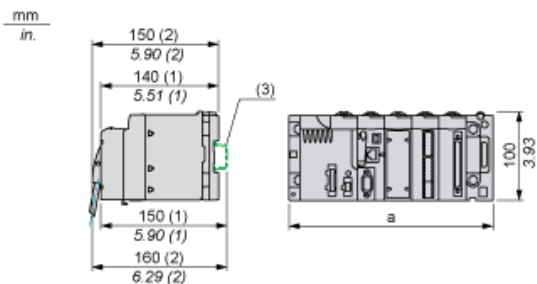
Sustainable offer status	Green Premium product
RoHS (date code: YYWW)	Compliant - since 0901 - Schneider Electric declaration of conformity <a href="#">Schneider Electric declaration of conformity</a>
REACH	Reference not containing SVHC above the threshold <a href="#">Reference not containing SVHC above the threshold</a>
Product environmental profile	Available
Product end of life instructions	Available

### Contractual warranty

Warranty period	18 months
-----------------	-----------

Modules Mounted on Racks

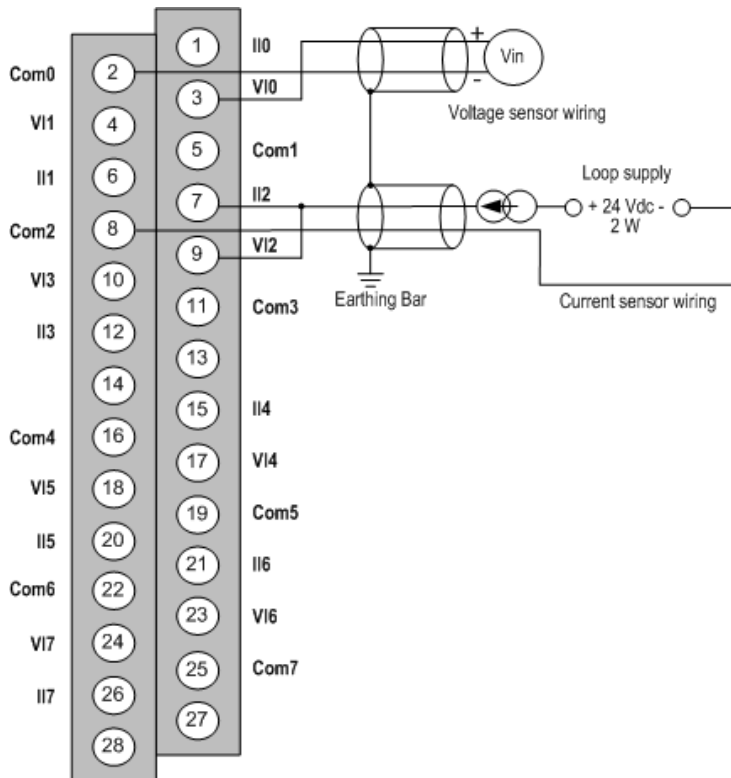
Dimensions



- (1) With removable terminal block (cage, screw or spring).
- (2) With FCN connector.
- (3) On AM1 ED rail: 35 mm wide, 15 mm deep. Only possible with BMXXBP0400/0400H/0600/0600H/0800/0800H rack.

Rack references	a in mm	a in in.
BMXXBP0400 and BMXXBP0400H	242.4	09.54
BMXXBP0600 and BMXXBP0600H	307.6	12.11
BMXXBP0800 and BMXXBP0800H	372.8	14.68
BMXXBP1200 and BMXXBP1200H	503.2	19.81

Wiring Diagram



VIx + pole input for channel x.  
COMx pole input for channel x, COMx are connected together internally.  
IIx current reading resistor + input.  
Channel voltage sensor.  
Channel current sensor.