



Product Datasheet

ANDERSON FARGO

CE03404 -- Clevis Eye



Clevis Eye, Rotated, Ductile Iron, Clevis: 0.875" Opening, 0.625" Pin, Eye: 0.500" with 0.813" Hole, UTS 20,000 lb

Product Specifications

Hardware Family



**Clevis Eye &
Y-Clevis Eye**
Coupling Fittings

Clevis Eye Fittings

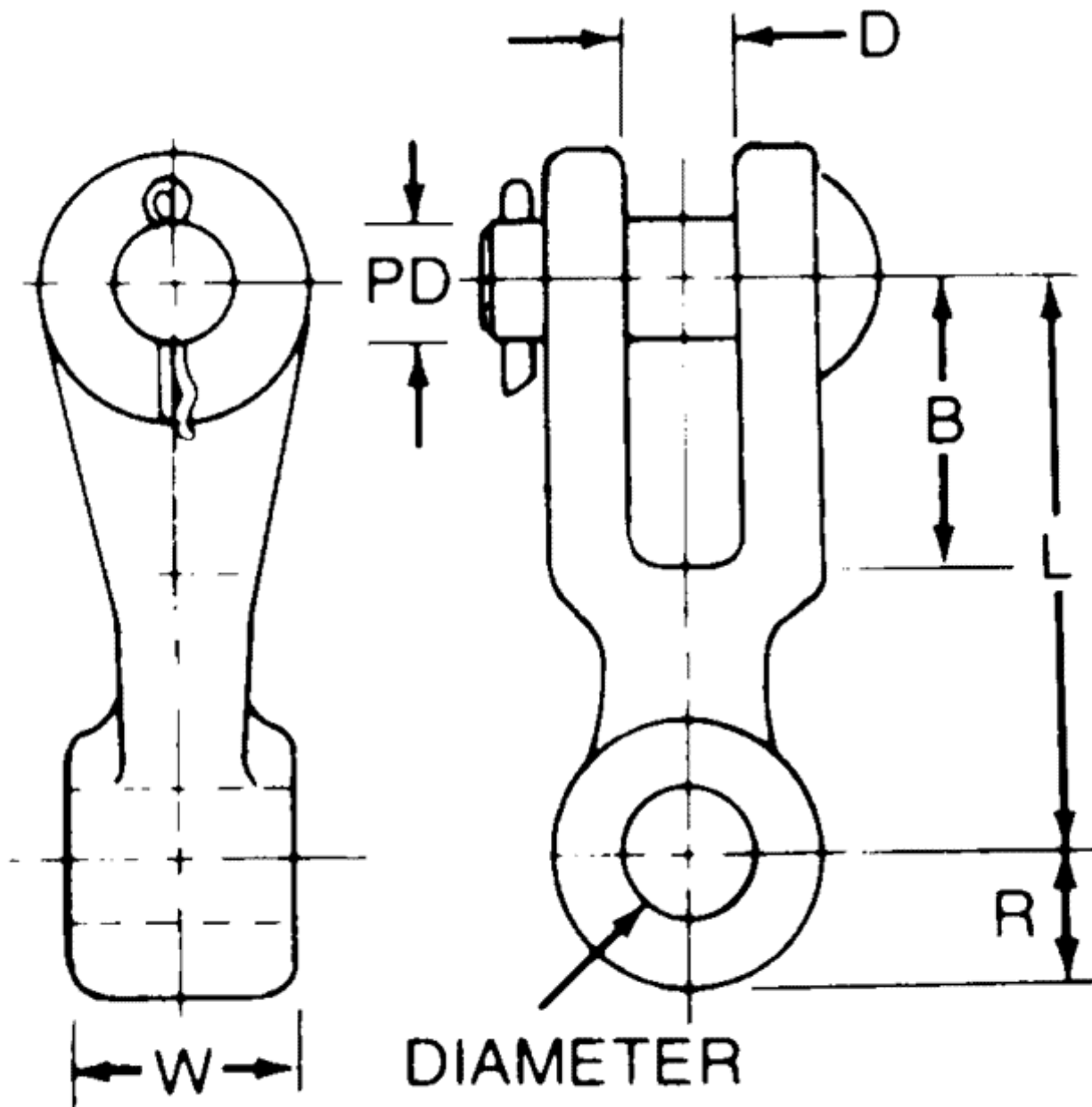


CE Series
Clevis-Eye, Rotated
Coupling Fittings

PDF Catalog Page	Click HERE to view the web page.
Ultimate Strength	20,000 lb (9,072 kg)
Coupling Length	3.500 in (88.90 mm)
Eye Width	0.500 in (12.70 mm)
Eye Hole Diameter	0.813 in (20.64 mm)
Dimension B	2.500 in (63.50 mm)
Dimension D	0.875 in (22.23 mm)
Dimension W	0.500 in (12.70 mm)
Dimension PD	0.625 in (15.88 mm)
Material	Ductile Iron
Cotter Pin Material	Stainless Steel
Clevis Pin Material	Galvanized Steel
Material Type	Standard
UPC Code	09635929836
Standard Package	25
Standard Package Unit	Each
Min Order Qty	1
Weight / Ea.	1.764 lbs

Compressed Product Number

CE03404



[Catalog Home](#)



[Warranty Info](#) | [Trademarks](#) | [Terms of Use](#)

All contents Copyright © 2007 Hubbell Power Systems, Inc. All rights reserved.

NOTE: Because Hubbell has a policy of continuous product improvement, we reserve the right to change design and specifications without notice.