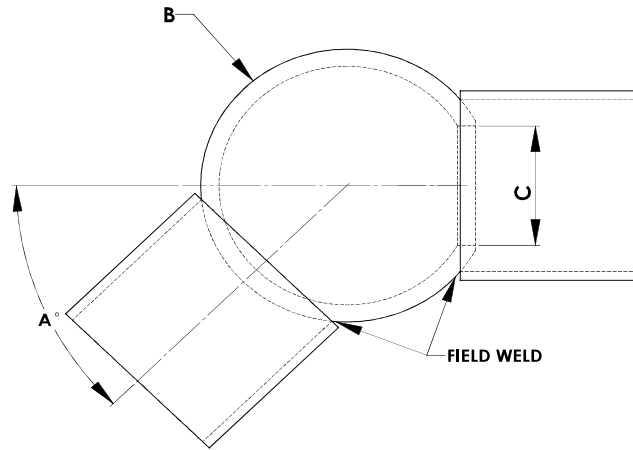
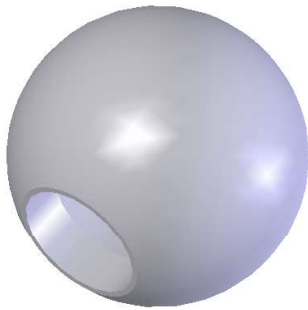


A connector for linking pipes at compound angles. The economical type EHV MAC depends on its high conductivity, lightweight aluminum alloy casting for resistance to corrosion and stress in the field.

These connectors are capable of corona free performance through 500KV.



WELDED EHV ANGLED COUPLERS, PIPE TO PIPE					
CATALOG NUMBER	PIPE SIZE IPS	MAX KV	DIMENSIONS-INCHES		
			A	B	C
18-MAC-5	1 1/2	230	130	5	1 1/4
	2		115		
	2 1/2		105		
	3		90		
	3 1/2		80		
	4		60		
18-MAC-8	3	345	125	8	2 3/4
	3 1/2		120		
	4		110		
	5		95		
	6		75		
18-MAC-12	3	500	140	12	2 3/4
	3 1/2		135		
	4		130		
	5		120		
	6		100		