



**POWER
SYSTEMS, INC.**

**Interactive
eCatalog**

In the world of power transmission and distribution, look to Hubbell.

[Catalog Home](#)

Product Datasheet

ANDERSON FARGO

DSC1405012 -- Stud Connector, Bronze



Stud Connector, Bronze, 1-1/2-12 Stud to 0.325-0.813 Cable, Straight

Product Specifications

Family Image



Stud Connectors

Stud Connectors

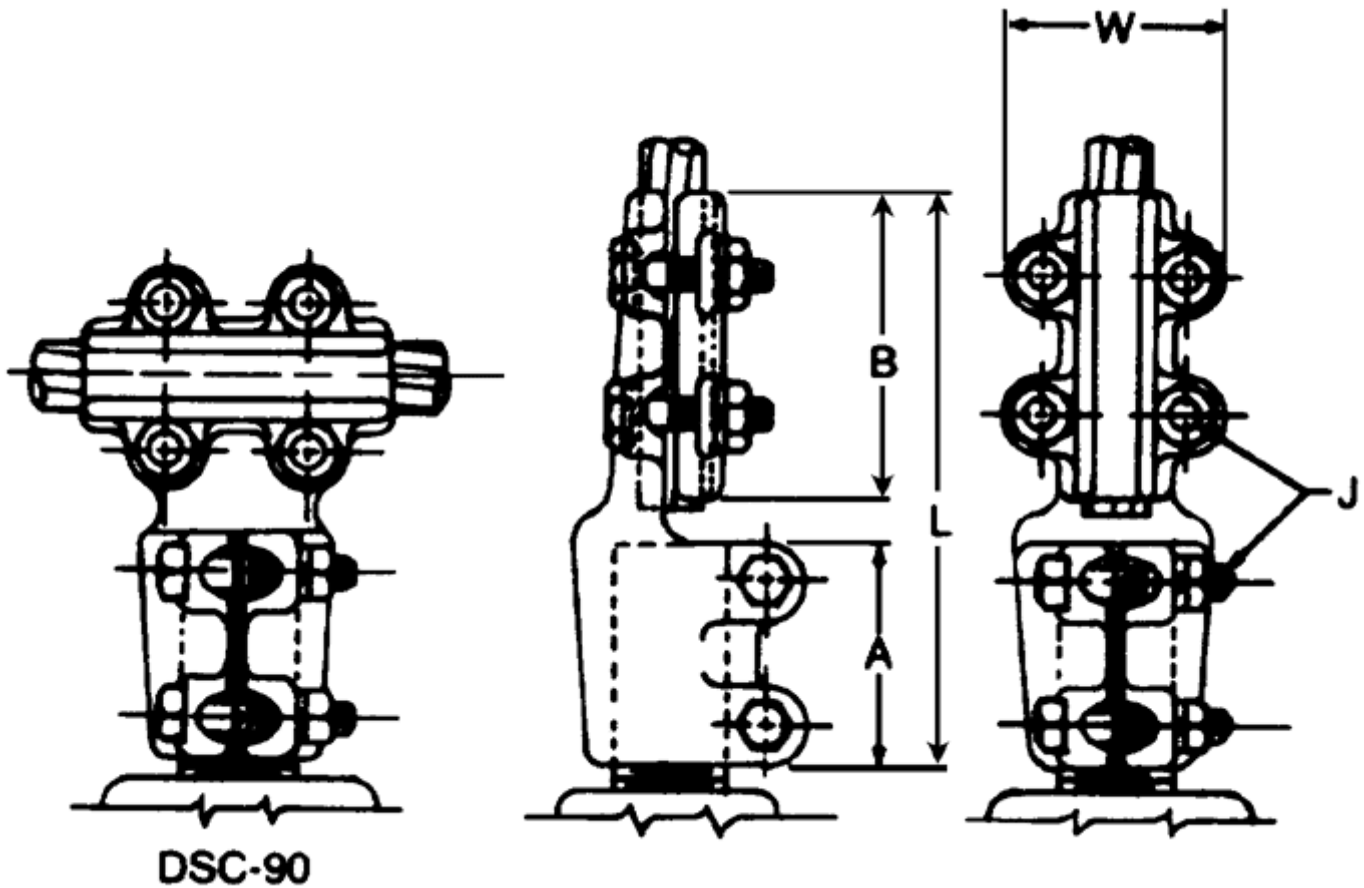


DSC Series
Stud to Cable
Bronze Bolted Stud Connectors

PDF Catalog Page	Click HERE to view the web page.
Stud Diameter - Threads	1 1/2 in - 12
Stud to Conductor Angle	Straight
Clamping Hardware Material	Stainless Steel
Dimension A	2.25 in (57.2 mm)
Dimension B	2.75 in (69.9 mm)
Dimension J	.50 in (12.7 mm)
Dimension L	5.50 in (139.7 mm)
Dimension W	2.50 in (63.5 mm)
Minimum Conductor	0.325
Maximum Conductor	0.813
Material Type	Non-Standard
UPC Code	09635930077
Standard Package	12
Standard Package Unit	Each
Min Order Qty	1
Weight / Ea.	4.9 Lbs

Notes
 To specify 90 degree connector, insert "-90" into catalog number: EXAMPLE: DSC-14050-90-12

Compressed Product Number
 DSC1405012





[Warranty Info](#) | [Trademarks](#) | [Terms of Use](#)

All contents Copyright © 2007 Hubbell Power Systems, Inc. All rights reserved.

NOTE: Because Hubbell has a policy of continuous product improvement, we reserve the right to change design and specifications without notice.