

METER-RITE® GRADE LEVEL DOUBLE THROW SWITCHES

102313

WITH METER SOCKET

MANUAL, NOT FUSIBLE - QUICK-BREAK/QUICK-MAKE
METER-RITE® Switches listed below are rated 100% capacity, continuous duty.

CATALOG NUMBER	APPROX WEIGHT (LBS)	DPDT - DOUBLE POLE-DOUBLE THROW
SINGLE PHASE (240 VAC) WITH METER SOCKET NON-UL & NOT-SUSE RATED		
7103MS	38	DPDT with 100 amp main contacts, 100 amp aux contacts (Horn Bypass Meter-Socket)
7205AMSH	49	DPDT with 200 amp main contacts, 200 amp aux contacts (Horn Bypass Meter-Socket)
7205AMSH-X	66	DPDT with 200 amp main contacts, 200 amp aux contacts (Horn Bypass Meter-Socket) EXTRA DEEP/WIDE ENCLOSURE
7205AMSL	49	DPDT with 200 amp main contacts, 200 amp aux contacts (Lever Bypass Meter Socket)
7205AMSL-X	66	DPDT with 200 amp main contacts, 200 amp aux contacts (Lever Bypass Meter Socket) EXTRA DEEP/WIDE ENCLOSURE
7406MS	66	DPDT with 400 amp main contacts, 400 amp aux contacts (No-Bypass Meter Socket with 400:5 amp metering CT)
7406MS-X	83	DPDT with 400 amp main contacts, 400 amp aux contacts (No-Bypass Meter Socket with 400:5 amp metering CT) EXTRA DEEP/WIDE ENCLOSURE
*7410MS	66	DPDT with 400 amp main contacts, 400 amp aux contacts (Class 320 Lever Bypass Meter Socket)
SINGLE PHASE (240 VAC) WITH METER-SOCKET AND "CENTER-OFF" POSITION UL LISTED & SUSE RATED		
7215MSL-OH	66	DPDT with 200 amp main contacts, 200 amp aux contacts (Lever Bypass Meter-Socket for overhead service)
7215MSL-UG	83	DPDT with 200 amp main contacts, 200 amp aux contacts (Lever Bypass Meter-Socket for underground service)

CAUTION: Do Not Switch Between Sources With Motor Loads Operating.
 SUSE - Suitable for use as Service Equipment *Continuous rating 320 amps (80%)

Sales Information: 1-800-221-7665



Service & Support: 1-217-563-8333

106 E. State Street • Nokomis, Illinois 62075 www.ronkelectrical.com Phone: 217-563-8333 • Fax: 217-563-8336

METER-RITE® GRADE LEVEL DOUBLE THROW SWITCHES WITH METER SOCKET

DIMENSIONS OF NEMA 3R ENCLOSURES

CATALOG NUMBER	CONDUIT KNOCKOUT SIZES AND HUB TYPE
7103MS	(3) 1 to 1-1/4, (1) 1/2 Murray RX200 Hub or Equal
7205AMSH	(3) 1-1/2 to 2, (1) 1/2 Murray RX200 Hub or Equal
7205AMSH-X	(3) 1-1/2 to 2, (1) 1/2 Murray RX200 Hub or Equal
7205AMSL	(3) 1-1/2 to 2, (1) 1/2, Murray RX200 Hub or Equal
7205AMSL-X	(3) 1-1/2 to 2, (1) 1/2, Murray RX200 Hub or Equal
7406MS	(2) 2-1/2 to 3, (1) 1-1/2 to 2, (1) 1/2
7406MS-X	(3) 2-1/2 to 3, (1) 1-1/2 to 2, (1) 1/2
7410MS	(2) 2-1/2 to 3, (1) 1-1/2 to 2, (1) 1/2
7215MSL-OH	(3) 1-1/2 to 2, (1) 1/2, Murray RX200 Hub or Equal
7215MSL-UG	(4) 2 to 2-1/2, (1) 1/2

All knockouts are on bottom of switches.
Hubs are top mounted for overhead wiring unless noted above.

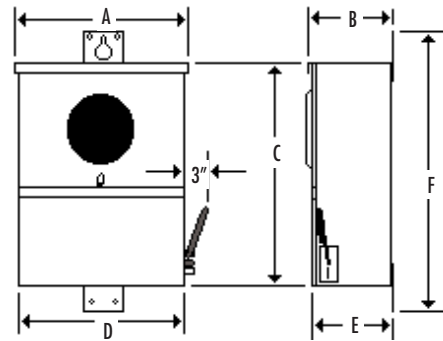


FIGURE 1

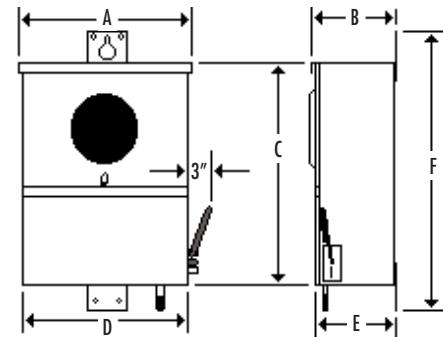


FIGURE 2

CATALOG NUMBER	WIRE RANGE	FIGURE#	A	B	C	D	E	F
7103MS	N	1	14-3/4	6	30-1/4	13-3/8	5-9/16	35
7205AMSH	L	1	15-3/4	8-9/16	35-1/4	15-1/2	8-5/16	40
7205AMSL	L	1	15-3/4	8-9/16	35-1/4	15-1/2	8-5/16	40
7406-MS	M	1	18-3/4	8-9/16	38-1/4	18-1/2	8-5/16	43
7410MS	M	1	18-3/4	8-9/16	38-1/4	18-1/2	8-5/16	43
7205AMSH-X	L	1	18-3/4	10-9/16	38-1/4	18-1/2	10-5/16	43
7205AMSL-X	L	1	18-3/4	10-9/16	38-1/4	18-1/2	10-5/16	43
7406MS-X	M	1	24-3/4	10-9/16	38-1/4	24-1/2	10-5/16	43
7215MSL-OH	L	2	18-3/4	8-9/16	38-1/4	18-1/2	8-5/16	43
7215MSL-UG	L	2	24-3/4	8-9/16	38-1/4	24-1/2	8-5/16	43

WIRE RANGE	SERVICE CONNECTIONS		CUSTOMER CONNECTIONS		
	LINE LUGS	NEUTRAL	AUXILIARY LUGS	LOAD LUGS	NEUTRAL
L	350 MCM - #6 CU-AL (LAY-IN TERMINAL)	250 MCM - #6 CU-AL (1-HOLE LUG)	250 MCM - #6 CU-AL (1-HOLE LUG)	250 MCM - #6 CU-AL (4-HOLE LUG)	350 MCM - #6 CU-AL (3-HOLE BAR)
M	(2) 250 MCM - 1/0 or (1) 600 MCM - #4 CU-AL (1-HOLE LUG)	(2) 250 MCM - 1/0 or (1) 600 MCM - #4 CU-AL (1-HOLE LUG)	(2) 250 MCM - 1/0 or (1) 600 MCM - #4 CU-AL (1-HOLE LUG)	250 MCM - #6 CU-AL (4-HOLE LUG)	350 MCM - #6 CU-AL (5-HOLE BAR)
N	2/0 - #8 CU-AL (LAY-IN TERMINAL)	250 MCM - #6 CU-AL (1-HOLE LUG)	1/0 - #14 CU-AL (1-HOLE LUG)	2/0 - #14 CU-AL (4-HOLE BAR)	2/0 - #14 CU-AL (3-HOLE BAR)

Other load lug and neutral configurations available. Contact RONK for more information.

Sales Information: 1-800-221-7665



Service & Support: 1-217-563-8333