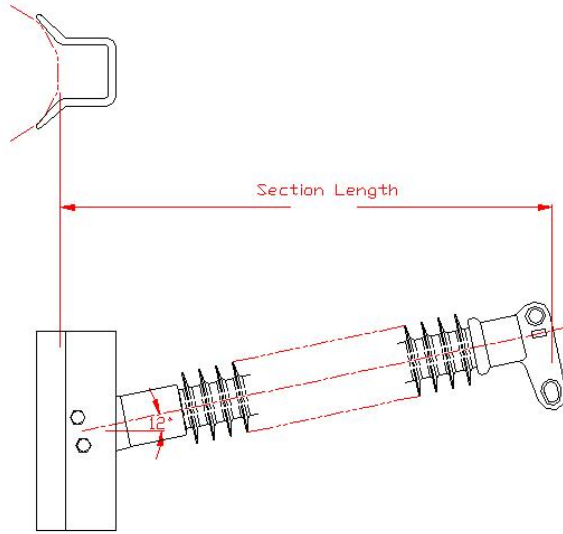


P250043S9020

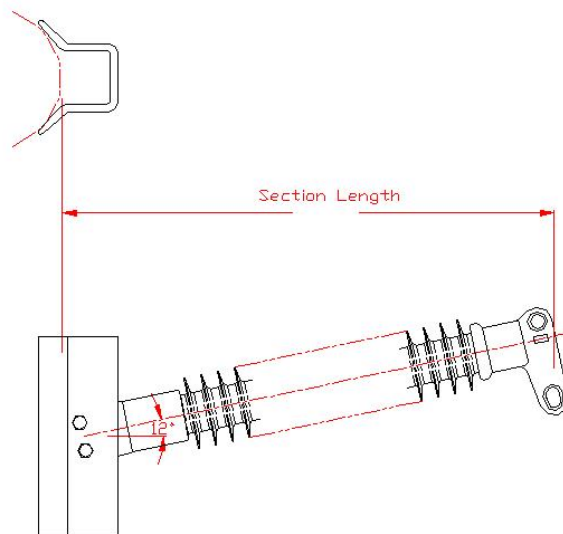


Product Specifications

Typical System Voltage	138kV / 161kV
Rod Diameter	2.5 IN, 2.5"
Top/Ground End Fitting	Long Tear Drop Blade
Bottom/Line End Fitting	Aluminum Gain 12" (305mm) CL mounting
Section Length	55.8 IN (1419 MM)
Leakage Distance	114 IN (2896 mm)
Corona Ring	None
Polymer Length	43.75 IN
System Voltage (kV)	138kV
Dry Arc Distance	44.3 IN (1125 MM)
Number of Sheds	36
Shed Style	Uniform
Shed Diameter	5.06"
SCL	3200 LB
RCL	1600 LB
Thickness of housing over Rod	> 3MM
ANSI 60Hz Dry FO	455
ANSI 60Hz Wet FO	405
IEC lightning Impulse Withstand - Positive	700
IEC lightning Impulse Withstand - Negative	800

Compressed Product Number

P250043S9020





[Warranty Info](#) | [Trademarks](#) | [Terms of Use](#)

All contents Copyright © 2007 Hubbell Power Systems, Inc. All rights reserved.

NOTE: Because Hubbell has a policy of continuous product improvement, we reserve the right to change design and specifications without notice.