

# Human/Machine Interfaces

Magelis™ XBTGT Advanced Touch panels

Catalog

March 2017



# Quick access to Product information

## Select your Catalogue, your Training

### Digi-Cat

The complete digital catalogue for industrial automation



Makes your choice easy every day, everywhere!



With just 3 clicks, you can reach the 7,000 pages of the Automation & Industrial Control catalogue, in both English and French.

- Digi-Cat is available on a USB key (for PC). To get your Digi-Cat, please contact your local center
- Download Digi-Cat from this address:

<http://digi-cat.schneider-electric.com/download.html>

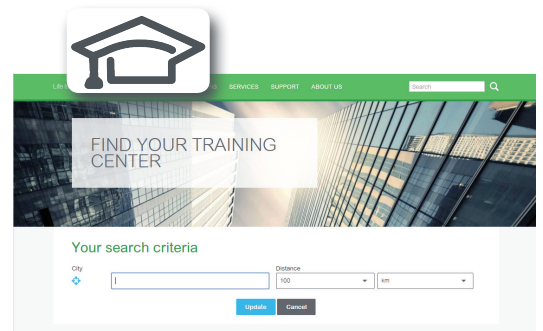
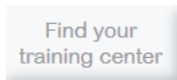


### Find your training

- Find the right training for your needs
- Locate the training center with the selector tool, using this address:

<http://www.schneider-electric.com/b2b/en/services/training/technical-training.jsp>

then click on



Life Is On



# General contents

## Magelis™ XBTGT Advanced Touch panels

**Selection guide** ..... page 2

### ■ Presentation

□ General ..... page 4

□ Functions ..... page 5

□ Description ..... page 7

### ■ References

□ Magelis XBTGT terminals ..... page 11

□ Separate components ..... page 12

□ Spare parts ..... page 13

□ Connection accessories ..... page 13

□ Connections ..... page 17

□ Substitution ..... page 21


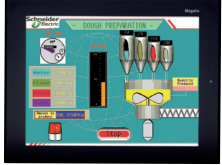


■ **Product reference index** ..... page 22

# Operator dialogue terminals

## Advanced Touch panels

<b>Applications</b>	Display of text messages, graphic objects and synoptic views Control and configuration of data	
<b>Type of terminal</b>	Advanced touch panels	
<b>Display</b>	Type Capacity	Backlit color STN LCD or backlit color TFT LCD (320 x 240 pixels) or (640 x 480 pixels) (3) 5.7" (color)
<b>Data entry</b>	Static function keys Dynamic function keys Service keys Alphanumeric keys	Via touch screen – – – –
<b>Memory capacity</b>	Applications Expansion	16 MB Flash EPROM (3) By means of 128 MB, 256 MB, 512 MB, 1 GB or 2 GB CF card
<b>Functions</b>	Maximum number of pages Variables per page Representation of variables Recipes Curves Alarm logs Real-time clock Discrete I/O Multimedia I/O	Limited by capacity of internal Flash EPROM memory or CF card memory Unlimited (8000 variables max.) Alphanumeric, bitmap, bargraph, gauge, tank, tank level indicator, curves, polygon, button, LED 32 groups of 64 recipes comprising 1024 ingredients max. Yes, with log Yes Built-in – (3)
<b>Communication</b>	Downloadable protocols Asynchronous serial link USB ports Bus and networks Printer link	Uni-TE (2), Modbus, Modbus TCP/IP (1) and for PLC brands: Mitsubishi, Omron, Allen-Bradley and Siemens RS 232C/RS 422/485 (COM1) and RS 485 (COM2) 1 (3) Modbus Plus and Fipway with USB gateway, PROFIBUS DP and Device Net with optional card Ethernet TCP/IP (10BASE-T/100BASE-TX) (1) RS 232C (COM1) serial link, USB port for parallel printer
<b>Development software</b>		Vijeo Designer (on Windows XP Professional and Windows 7 Professional 32/64-bit)
<b>Operating system</b>		Magelis (133 MHz RISC CPU) (3) Magelis (266 MHz RISC CPU)
<b>Type of terminal</b>	<b>XBTGT2430/2930</b>	<b>XBTGT4340</b>
<b>Pages</b>	See page 11	

(1) Depending on model.  
(2) Uni-TE version V2 for Twido controller and TSX Micro/Premium platform.  
(3) For XBTGT2430, 32 MB Flash EPROM, 1 sound output, 2 USB ports, 266 MHz RISC CPU.

Display of text messages, graphic objects and synoptic views Control and configuration of data			
Advanced touch panels		Advanced hand-held panels	
			
Backlit color TFT LCD (640 x 480 pixels or 800 x 600 pixels) (4) 10.4" (color)	Backlit color TFT LCD (800 x 600 pixels) 12.1" (color)	Backlit color TFT LCD (1024 x 768 pixels) 15" (color)	Color TFT LCD (640 x 480 pixels) 5.7" (color)
Via touch screen – – – –			11
32 MB Flash EPROM By means of 128 MB, 256 MB, 512 MB, 1 GB or 2 GB CF card			By means of 128 MB, 256 MB, 512 MB, 1 GB or 2 GB CF card (4)
Limited by capacity of internal Flash EPROM memory or CF card memory Unlimited (8000 variables max.) Alphanumeric, bitmap, bargraph, gauge, tank, tank level indicator, curves, polygon, button, LED 32 groups of 64 recipes comprising 1024 ingredients max. Yes, with log Yes Built-in 1 input (reset) and 3 outputs (alarm, buzzer, run)			
1 audio input (microphone), 1 composite video input (digital or analog video camera), 1 audio output (loudspeaker) (1)			1 audio output
Uni-TE (2), Modbus, Modbus TCP/IP (1) and for PLC brands: Mitsubishi, Omron, Allen-Bradley and Siemens RS 232C/RS 422/485 (COM1) and RS 485 (COM2) 2 Modbus Plus with USB gateway Ethernet TCP/IP (10BASE-T/100BASE-TX) RS 232C (COM1) serial link, USB port for parallel printer			Uni-TE (2), Modbus, Modbus TCP/IP and for PLC brands: Mitsubishi, Omron, Rockwell Automation and Siemens RS 232C/RS 422-485 (COM1) 1 – 1 Ethernet port (10BASE-T/100BASE-TX) –
Vijeo Designer (on Windows XP Professional and Windows 7 Professional 32/64-bit)			
Magelis (266 MHz RISC CPU)			Magelis (266 MHz RISC CPU)
<b>XBTGT5340</b>	<b>XBTGT6340</b>	<b>XBTGT7340</b>	<b>XBTGH2460/XBTGH2460B (5)</b>
See page 11			Please refer to our website <a href="http://www.schneider-electric.com">www.schneider-electric.com</a>

(4) Except for HMIGTW... with 4 GB SD memory card.  
(5) Version without Emergency stop button.



### Presentation

The Magelis Advanced panels with touch screen terminals consist of:

- A range of touch screen terminals (XBTGT) available with a wide choice of screen sizes (5.7", 7.5", 10.4", 12.1" and 15") in (color or TFT)
- An XBTGT 5.7" terminal (**XBTGT2930**) equipped with a anti-reflection coated screen and a backlit display that is twice as intense for applications in brightly-lit environments, in particular those which are exposed to sunlight.

### Operation

The Magelis Advanced panels are multifunction level terminals featuring new information and communication technologies which, depending on the model, include:

- High level of communication (embedded Ethernet, multilink, Web server and FTP)
- External storage of data (Compact Flash memory card and USB memory stick) for storing production data and backing up applications
- Multimedia data with integrated image and sound management (digital or analog camera)
- Management of peripherals: Printers, bar code readers, loudspeakers, etc.



### Configuration

Magelis Advanced panels can be configured using Vijeo Designer software in a Windows XP Professional and Windows 7 Professional 32/64-bit environment.

Vijeo Designer software boasts an advanced user interface with many configurable windows, enabling projects to be developed quickly and easily. This version can process composite video signals from a camera or camcorder. For more information on Vijeo Designer, please refer to our website [www.schneider-electric.com](http://www.schneider-electric.com).

### Functions

Magelis Advanced panels offer the following functions:

- Display of animated mimics with 8 types of animation (pressing the touch panel, color changes, filling, movement, rotation, size, visibility and value display)
- Control and modification of numeric or alphanumeric variables
- Display of current date and time
- Real-time and trending curves with log
- Alarm display, alarm log and management of alarm groups
- Multiwindow management
- Page calls initiated by the operator
- Multilingual application management (10 languages at the same time)
- Recipe management
- Data processing via Java script
- Storage of the application and logs on external Compact Flash application memory card or USB key
- Serial printer and bar code reader management
- Sound messages management
- Composite video signal management from camera or camcorder on XBTGT and digital video signal (Webcam) management on Magelis GTW

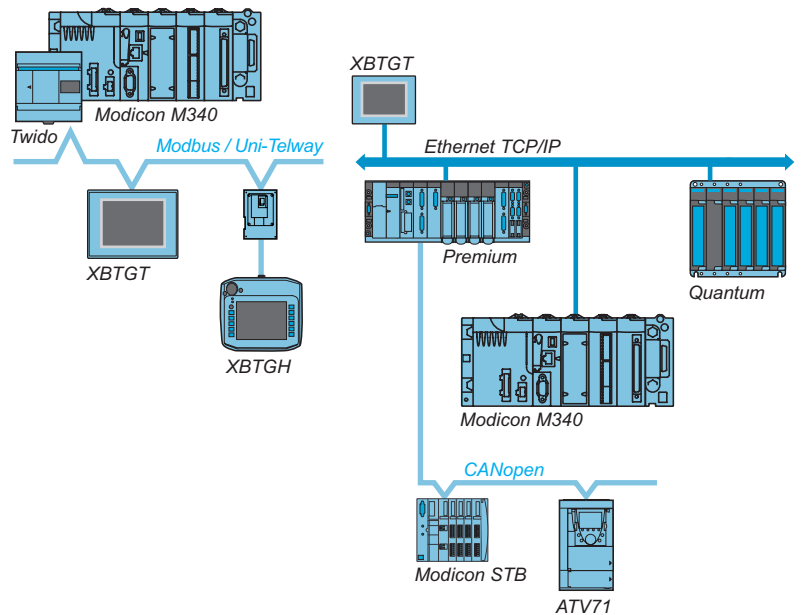
Magelis Standard Advanced panels have been designed for Transparent Ready architectures and equipment (combination of Web and Ethernet TCP/IP technologies). Therefore, all terminals with an Ethernet port feature a built-in FTP server for data file transfer and a Web Gate function for remote access to the application of the terminal from a PC with an Internet browser.

The latest version of Vijeo Designer thus allows Magelis Standard Advanced panels to browse HTML pages and send e-mails.

The flexibility of Windows XP Embedded on touch screen/open Standard Advanced panels Magelis GTW terminals simultaneously allows:

- The running of a Vijeo Designer application
- The use of Internet Explorer or Office Readers (.pdf, .doc, .xls, and .ppt documents)

### Communication



Magelis Standard Advanced panels communicate with PLCs via one or two integrated serial links, using communication protocols:

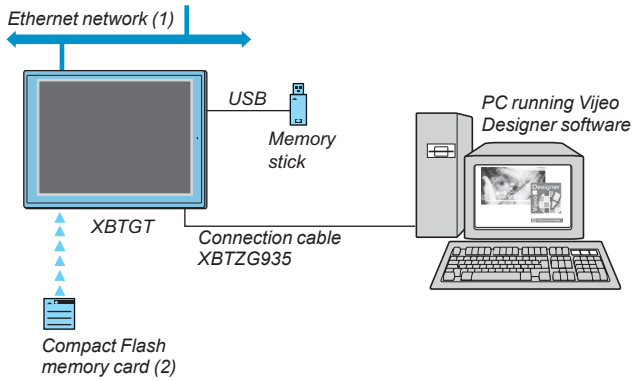
- Schneider Electric (Uni-TE, Modbus)
  - Third-party: Mitsubishi Electric, Omron, Allen-Bradley and Siemens
- Magelis multifunction terminals can be connected, depending on the model, to Ethernet TCP/IP networks using Modbus TCP or third party protocols, and to fieldbuses (FIPWAY, Modbus Plus, Device Net, PROFIBUS DP).



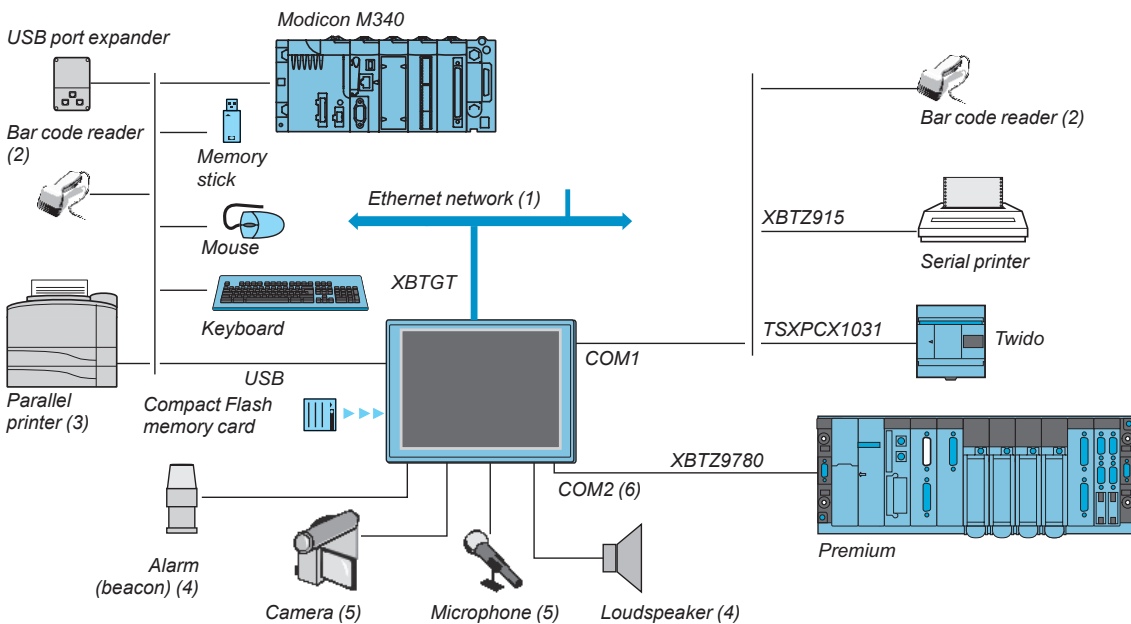
### Panel operating modes

The following illustrations show the equipment that can be connected to Magelis Standard Advanced panels according to their two operating modes.

#### Edit mode



#### Operating mode



(1) With **XBTGT●●30/XBTGT●●40/XBTGK●●30/XBTGTW●●●/HMIGTW●●●●** and **XBTGH246●●**.  
 (2) Validated with DataLogic Gryphon bar code reader.  
 (3) Validated with Hewlett Packard printer via USB/PIO converter.  
 (4) With **XBTGT/GK/GTW 7.5" screen min.** and **HMIGTW**.  
 (5) With multimedia **XBTGT 7.5" to 15": XBTGT●340**.  
 (6) With **XBTGT** and **XBTGK 5.7" screen min.**

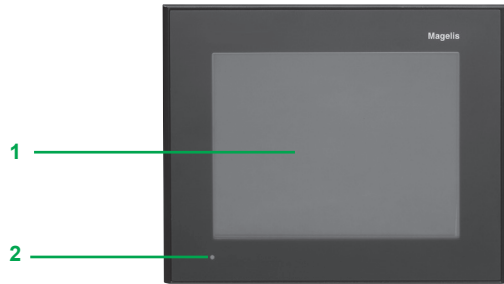
### Improve environmental resistance with Conformal Coating

The Conformal Coating service offer consists of varnishing the electronic cards to prolong the service life of the terminals and enable them to be used in corrosive environments. The varnishing increases resistance to condensation, dusty atmospheres and chemical corrosion (sulphurous and halogenous atmospheres).

For further information on this service offer, please contact our Customer Care Centre.

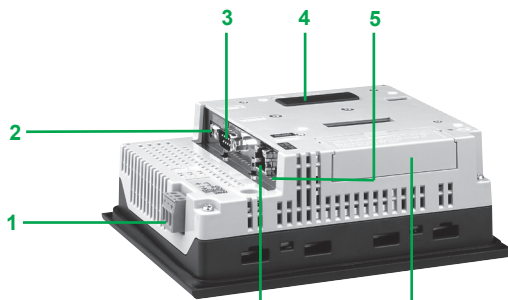
## Description

### Magelis Multifunction XBTGT2●30



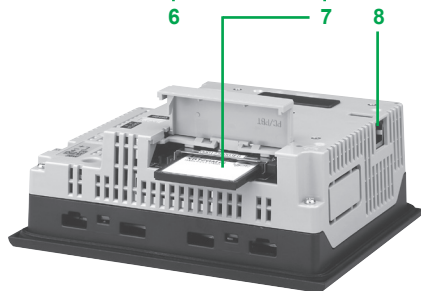
#### The front panel comprises:

- 1 Touch screen for displaying synoptic views (5.7" color)
- 2 Multicolor indicator (green, orange and red) showing the terminal's operating mode



#### The rear panel comprises:

- 1 Removable screw terminal block for 24 V  $\overline{\text{---}}$  power supply
- 2 USB type A host connector for connecting peripherals, transferring applications and Modicon M340 terminal port communication
- 3 9-way male SUB-D connector for RS 232C or RS 422/485 serial link to PLCs (COM1)
- 4 Expansion unit interface for fieldbus communication card (Device Net, PROFIBUS DP) (1)
- 5 Switch for polarization of the COM2 serial link used on Modbus
- 6 RJ45 connector for RS 485 serial link (COM2)
- 7 Compact Flash memory card slot with cover



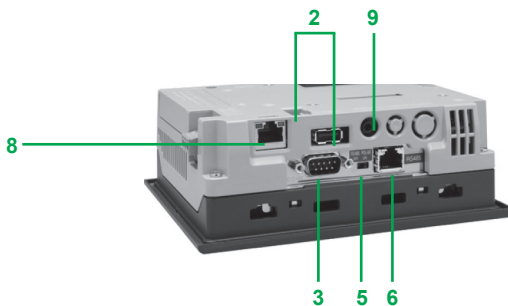
#### On XBTGT2930 only:

- 8 RJ45 connector for Ethernet TCP/IP link, 10BASE-T/100BASE-TX

#### On XBTGT2430 only:

- 8 RJ45 connector for Ethernet TCP/IP link, 10BASE-T/100BASE-TX
- 9 Mini-jack connector for audio output

(1) See page 18 for details of the required connection accessories.





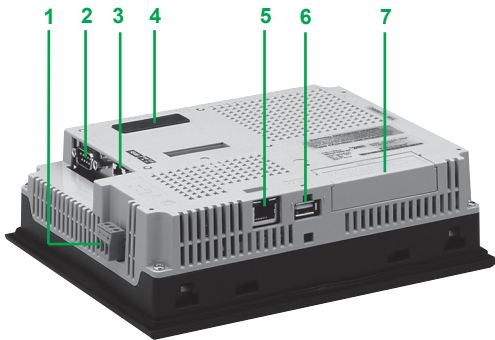
### Description

#### Magelis Multifunction XBTGT4340



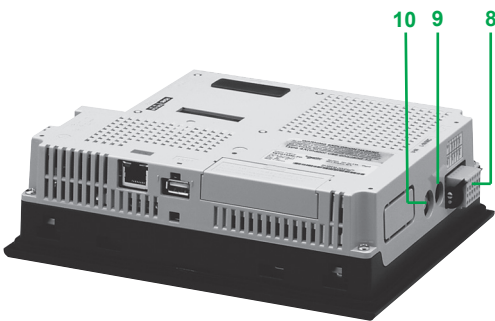
#### The front panel comprises:

- 1 Touch screen for displaying synoptic views (7.5" color TFT, depending on model)
- 2 Multicolor indicator (green, orange and red) showing the terminal's operating mode



#### The rear panel comprises:

- 1 Removable screw terminal block for 24 V  $\bar{\text{---}}$  power supply
- 2 9-way male SUB-D connector for RS 232C or RS 422/485 serial link to PLCs (COM1)
- 3 RJ45 connector for RS 485 (COM2) with switch for polarization of the link used on Modbus
- 4 Expansion unit interface for fieldbus communication card (Device Net, PROFIBUS DP) (1)
- 5 RJ45 connector for Ethernet TCP/IP link, 10BASE-T/100BASE-TX, with an activity LED
- 6 USB type A host connector for connecting peripherals, transferring applications and Modicon M340 terminal port communication
- 7 Slot for Compact Flash memory card with hinged cover
- 8 Removable I/O connector, 12 spring terminals for loudspeaker connection, 1 input (reset) and 3 outputs (alarm, buzzer, run)
- 9 Mini-jack connector for connecting a microphone
- 10 RCA connector for connecting a digital or analog video camera (NTSC/PAL)



(1) See page 18 for details of the required connection accessories.

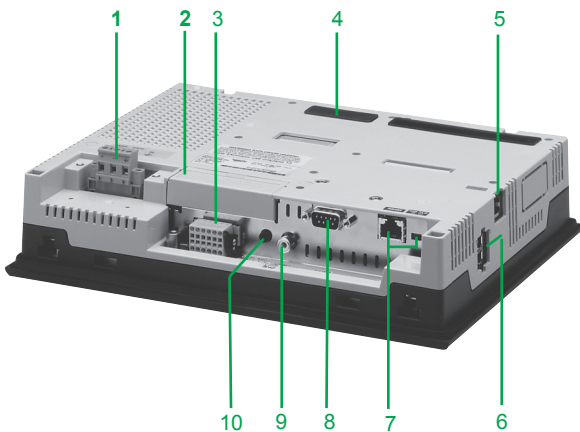
### Description

#### Magelis Multifunction XBTGT5340



#### The front panel comprises:

- 1 Touch screen for displaying synoptic views (10.4" color TFT, depending on model)
- 2 Multicolor indicator (green, orange and red) showing the terminal's operating mode



#### The rear panel comprises:

- 1 Removable screw terminal block for 24 V  $\overline{\text{---}}$  power supply
- 2 Slot for Compact Flash memory card, with hinged cover
- 3 Removable I/O connector, 12 spring terminals for loudspeaker connection, 1 input (reset) and 3 outputs (alarm, buzzer, run)
- 4 Expansion unit interface for fieldbus communication card (Device Net, PROFIBUS DP) (1)
- 5 RJ45 connector for Ethernet TCP/IP link, 10BASE-T/100BASE-TX, with an activity LED
- 6 Two USB type A host connectors for connecting peripherals, transferring applications and Modicon M340 terminal port communication
- 7 RJ45 connector for RS 485 (COM2) with switch for polarization of the link used on Modbus
- 8 9-way male SUB-D connector for RS 232C or RS 422/485 serial link to PLCs (COM1)
- 9 Mini-jack connector for connecting a microphone
- 10 RCA connector for connecting a digital or analog video camera (NTSC/PAL)

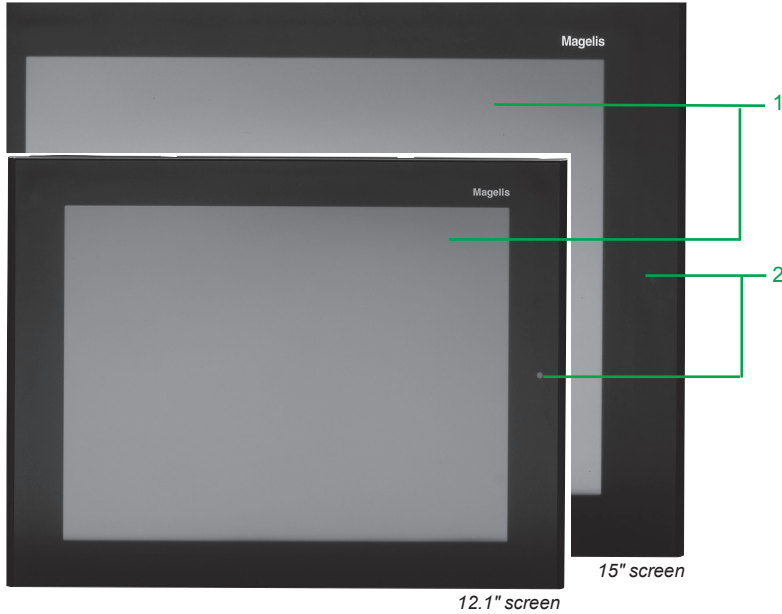
(1) See page 18 for details of the required connection accessories.

# Operator dialogue terminals

## Magelis XBTGT Advanced Touch panels with 12.1" or 15" screen

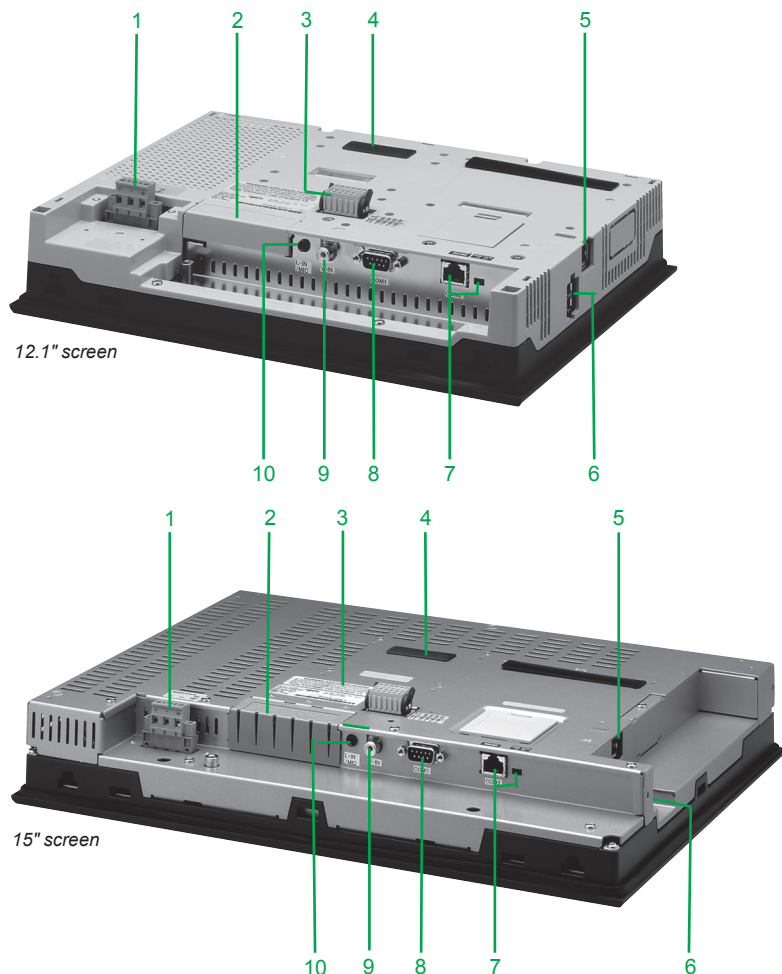
### Description

Magelis Multifunction XBTGT6340 & XBTGT7340



#### The front panel comprises:

- 1 Touch screen for displaying synoptic views (12.1" or 15" color TFT, depending on model)
- 2 Multicolor indicator (green, orange and red) showing the terminal's operating mode



#### The rear panel comprises:

- 1 Removable screw terminal block for 24 V  $\overline{\text{AC}}$  power supply
- 2 Slot for Compact Flash memory card, with hinged cover
- 3 Removable I/O connector, 12 spring terminals for loudspeaker connection, 1 input (reset) and 3 outputs (alarm, buzzer, run)
- 4 Expansion unit interface for fieldbus communication card (Device Net, PROFIBUS DP) (1)
- 5 RJ45 connector for Ethernet TCP/IP link, 10BASE-T/100BASE-TX, with an activity LED
- 6 Two USB type A host connectors for connecting peripherals, transferring applications and Modicon M340 terminal port communication
- 7 RJ45 connector for RS 485 (COM2) with switch for polarization of the link used on Modbus
- 8 9-way male SUB-D connector for RS 232C or RS 422/485 serial link to PLCs (COM1)
- 9 Mini-jack connector for connecting a microphone
- 10 RCA connector for connecting a digital or analog video camera (NTSC/PAL)

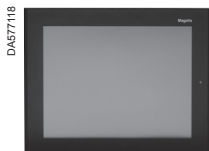
(1) See page 18 for details of the required connection accessories.



DA577116  
XBTGT2930



DA577117  
XBTGT4340



DA577118  
XBTGT5340



DA577119  
XBTGT6340



DA577120  
XBTGT7340

### Color touch screen terminals <sup>(1)</sup>

Type of screen	Number of ports	Application memory capacity	Compact Flash memory	Composite video input	Embedded Ethernet	Reference	Weight kg/lb
<b>Multifunction, 5.7" QVGA screen</b>							
TFT High Brightness	1 COM1 1 COM2 1 USB	16 MB	Yes	No	1	<b>XBTGT2930</b>	1.000/ 2.204

### Multifunction, 5.7" VGA screen

TFT	1 COM1 1 COM2 2 USB	32 MB	Yes	No	1	<b>XBTGT2430</b>	–
-----	---------------------------	-------	-----	----	---	------------------	---

### Multifunction, 7.5" VGA screen

TFT	1 COM1 1 COM2 1 USB	32 MB	Yes	Yes	1	<b>XBTGT4340</b>	1.800/ 3.968
-----	---------------------------	-------	-----	-----	---	------------------	-----------------

### Multifunction, 10.4" VGA screen

TFT	1 COM1 1 COM2 2 USB	32 MB	Yes	Yes	1	<b>XBTGT5340</b>	2.500/ 5.511
-----	---------------------------	-------	-----	-----	---	------------------	-----------------

### Multifunction, 12.1" SVGA screen

TFT	1 COM1 1 COM2 2 USB	32 MB	Yes	Yes	1	<b>XBTGT6340</b>	3.000/ 6.613
-----	---------------------------	-------	-----	-----	---	------------------	-----------------

### Multifunction, 15" XGA screen

TFT	1 COM1 1 COM2 2 USB	32 MB	Yes	Yes	1	<b>XBTGT7340</b>	5.600/ 12.345
-----	---------------------------	-------	-----	-----	---	------------------	------------------

(1) Fixing kit (screw clips), locking device for USB connectors and instruction sheet included with terminals. Setup documentation for XBTGT terminals is included in electronic format with Vijeo Designer configuration software (for more information on Vijeo Designer, please refer to our website [www.schneider-electric.com](http://www.schneider-electric.com)).

# Operator dialogue terminals

## Magelis XBTGT Advanced Touch panels

### Separate parts for terminals

#### Separate components

Description	Characteristics	Compatible with terminals	Reference	Weight kg/lb
<b>Compact Flash memory cards</b>	128 MB, blank	XBTGT	<b>XBTZGM128</b>	0.050/ 0.110
	256 MB, blank		<b>XBTZGM256</b>	0.050/ 0.110
	512 MB, blank		<b>MPCYN00CFE00N</b>	0.050/ 0.110
	1 GB, blank		<b>MPCYN00CF100N</b>	–
	2 GB, blank	XBTGT	<b>MPCYN00CF200N</b>	–
<b>Maintenance kits</b>	Includes fixings and seals for panel mounting	MPCST11N●J00T (8.4" screen)	<b>MPCYK10MNTKIT</b>	–
		MPCST21N●J20● (12" screen)	<b>MPCYK20MNTKIT</b>	–
		MPCST52NDJ10 (15" screen)	<b>MPCYK50MNTKIT</b>	–
<b>Protective sheets</b> (5 peel-off sheets)	–	XBTGT2●30	<b>XBTZG62</b>	0.200/ 0.441
		XBTGT43●0	<b>XBTZG64</b>	0.200/ 0.441
		XBTGT53●0/ XBTGT54●0	<b>XBTZG65</b>	0.200/ 0.441
		XBTGT63●0	<b>XBTZG66</b>	0.200/ 0.441
		XBTGT7340	<b>MPCYK50SPSKIT</b>	0.200/ 0.441
<b>Plastic protective covers</b> <b>Sold in lots of 5</b>	–	XBTGT2●●●	<b>XBTZG70</b>	–
		XBTGT53●●●	<b>XBTZG71</b>	–
<b>Spring fixing clips</b> <b>Sold in lots of 12</b>	Number of spring clips depending on terminal	XBTGT	<b>XBTZ3002</b>	–
Description	Description	Length m/ft	Reference	Weight kg/lb
<b>Mechanical adaptors for substitution of terminals of the Magelis range</b>	From XBTF032●10 to XBTGT2●●0	–	<b>XBTZGCO1</b>	–
	From XBTG2110 to XBTGT2●●0	–	<b>XBTZGCO2</b>	–
	From XBTF034●●● to XBTGT53●0	–	<b>XBTZGCO3</b>	–
	From XBTG5330 to XBTGT5330 From XBTGT5230 to HMIGTO531	–	<b>XBTZGCO4</b>	–
<b>Remote USB port for terminals</b> <b>XBTGT2●●0...GT7340</b>	Enables the USB type A port to be located remotely on the rear of the XBT terminal on a panel or enclosure door (Ø 21 mm fixing device)	1/2.20	<b>XBTZGUSB</b>	–
<b>Remote USB port for terminals</b> <b>XBTGT2●●0...GT7340</b>	Enables the USB mini-B port to be located remotely on the rear of the XBT or HMIGTO terminal on a panel or enclosure door (Ø 21 mm fixing device)	1/2.20	<b>XBTZGUSB</b>	–

DA577121



XBTZGM●●●

105960



XBTZGCO●

105872



XBTZGUSB

# Operator dialogue terminals

## Magelis XBTGT Advanced Touch panels

### Spare parts for terminals, Connection accessories for terminals

Spare parts			
Description	For use with terminals	Reference	Weight kg/lb
Seals	XBTGT2330	<b>XBTZG52</b>	0.030/ 0.066
	XBTGT4340	<b>XBTZG54</b>	0.030/ 0.066
	XBTGT5340	<b>XBTZG55</b>	0.030/ 0.066
	XBTGT6340	<b>XBTZG56</b>	0.030/ 0.066
	XBTGT7340	<b>XBTZG57</b>	0.030/ 0.066
Backlighting lamps	XBTGT5340	<b>XBTZG45</b>	0.200/ 0.441
	XBTGT5340 PV ≥ 3	<b>XBTZG45B</b>	0.200/ 0.441
	XBTGT7340	<b>XBTZG47</b>	0.200/ 0.441
USB fastenings Sold in lots of 5	XBTGT2●30/GT4340	<b>XBTZGCLP1</b>	–
	XBTGT5340/GT6340/GT7340	<b>XBTZGCLP2</b>	–
Fixing kit	4 clips and screws (max. tightening torque: 0.5 Nm), supplied with all XBTGT terminals	<b>XBTZGFIX</b>	0.100/ 0.220
Extension connector protection	XBTGT	<b>XBTZGCNC</b>	0.030/ 0.066
Power supply connector Sold in lots of 5	XBTGT2●30/GT4●40	<b>XBTZGPWS1</b>	0.030/ 0.066
	XBTGT5340/6340/7340	<b>XBTZGPWS2</b>	–
Auxiliary connector	XBTGT4340/5340/6340/7340	<b>XBTZGAUX</b>	–

### Cables for application transfer - Terminal to PC

Type of terminal (terminal end connector)	Connector (PC end)	Type	Length m/ft	Reference (1)	Weight kg/lb
<b>XBTGT2●●0...GT7340</b>	USB	TTL	2/ 6.56	<b>XBTZG935</b>	0.290/ 0.639

### Printer connection cables

Type of printer (2)	Connector (printer end)	Type	Length m/ft	Reference	Weight kg/lb
Serial printer for <b>XBTGT terminals</b>	SUB-D female 25-way	RS 232C (COM1)	2.5/ 5.51	<b>XBTZ915</b>	0.200/ 0.441
Serial printer for <b>XBTGT</b>	USB	RS 232C (COM1)	1.80/ 3.97	<b>HMIZURS</b>	–

### Adaptors and isolation boxes for XBT terminals and HMIGTO panels

These 3 adaptors are used with the connection cables depending on the application concerned. For example, the **XBTZ968** cable is used with the **XBTZG909** adaptor, to connect a Twido controller (via its terminal port) to an **XBTGT2●●0** terminal (via its COM1 port).

Description	Type of connector (automation product end)	Physical link (XBT or HMIGTO terminal end)	Length m/ft	Reference	Weight kg/lb
Adaptor for <b>XBTGT2●●0...7340</b>	25-way SUB-D connector	RJ 45 connector	0.2/ 0.44	<b>XBTZG939</b>	–
Adaptors for <b>XBTGT2●●0...7340</b>	25-way SUB-D connector	9-way SUB-D connector, RS 485 on XBT terminal only	0.2/ 0.44	<b>XBTZG909 (3)</b>	–
		9-way SUB-D connector, RS 232C	0.2/ 0.44	<b>XBTZG919</b>	–

Description	For use with	Link to isolate	Reference	Weight kg/lb
Serial link isolation units for <b>XBTGT2●●0...7340</b>	- Connection to serial port of XBT terminal - Isolated link on 9-way SUB-D connector (4) - Box power supply via USB port of terminal. Incorporates a USB port expander.	RS 232C/RS 485 (COM1)	<b>XBTZGI232</b>	–
		RS 485 (COM2)	<b>XBTZGI485</b>	–

(1) Cable included (depending on model) with Vijeo Designer software packages (for more information on Vijeo Designer, please refer to our website [www.schneider-electric.com](http://www.schneider-electric.com)).

(2) Parallel printer (see page 7).

(3) This adaptor cannot be used with Magelis GTO terminals.

(4) Male connector with **XBTZGI232**, female connector with **XBTZGI485**.



XBTZGI485



# Operator dialogue terminals

## Magelis XBTGT Advanced Touch panels

### Connection accessories for terminals

Cables for connecting Magelis terminals to other Schneider Electric products								
Automation product type	Type of connector (automation product end)	Protocol	Type of terminal	Link	On port	Length m/ft	Reference	Weight kg/lb
<b>Twido, Nano, Modicon TSX Micro, Modicon Premium</b>	Terminal port, 8-way female mini-DIN	Uni-TE (V1/V2), Modbus	XBTGT2●●0...7340	RS 485	COM1	2.5/ 5.51	<b>XBTZ9780</b>	0.180/ 0.397
					COM2	10/ 22.05	<b>XBTZ9782</b>	–
			XBTGT2●●0...7340	RS 485	COM1	2.5/ 5.51	<b>XBTZ968 + (2)</b>	0.180/ 0.397
						5/ 11.02	<b>XBTZ9681 + (2)</b>	0.340/ 0.750
			XBTGT2●●0...7340	RS 485	COM1	2.5/ 5.51	<b>XBTZ9018</b>	0.170/ 0.375
<b>Modicon M340 Modicon M238 Modicon M258</b>	RJ45	Modbus	XBTGT2●●0...7340	RS 485	COM1	2.5/ 5.51	<b>XBTZ9980</b>	0.230/ 0.507
					COM2	10/ 22.05	<b>XBTZ9982</b>	–
			XBTGT2●●0...7340	RS 485	COM1	1.8/ 3.97	<b>XBTZ938 + (2)</b>	0.230/ 0.507
						2.5/ 5.51	<b>XBTZ9008</b>	–
	USB Mini-B	Terminal port	XBTGT (4)	USB	USB type A	1.8/ 3.97 4.5/ 9.92	<b>BMXXCAUSBH018</b>	0.230/ 0.507
						<b>BMXXCAUSBH045</b>	–	
<b>Modicon Premium with TSXSCY2160●</b>	25-way female SUB-D	Uni-TE (V1/V2)	XBTGT2●●0...7340	RS 485	COM1	2.5/ 5.51	<b>XBTZ918 + (2)</b>	0.230/ 0.507
<b>Modicon Quantum</b>	9-way male SUB-D	Modbus	XBTGT2●●0...7340	RS 232C	COM1	2.5/ 5.51	<b>XBTZ9710 + (3)</b>	0.210/ 0.463
						3.7/ 8.16	<b>990NAA26320</b>	0.290/ 0.639
<b>Modicon STB</b>	HE13 (NIM, network interface module)	Modbus	XBTGT2●●0...7340	RS 232C	COM1	2/ 4.41	<b>STBXCA4002</b>	0.210/ 0.463
						2.5/ 5.51	<b>XBTZ988 + (3)</b>	0.220
<b>Modicon Momentum M1</b>	RJ45 (port 1 on Momentum M1)	Modbus	XBTGT2●●0...7340	RS 232C	COM1	2.5/ 5.51	<b>XBTZ9711 + (3)</b>	0.210/ 0.463
<b>TeSys U, T starters ATV312/61/71 variable speed drives ATS48 starters Lexium 05 Preventa XPSMC</b>	RJ45	Modbus	XBTGT2●●0...7340	RS 485	COM1	2.5/ 5.51	<b>XBTZ9980</b>	–
					COM2	10/ 22.05	<b>XBTZ9982</b>	–
			XBTGT2●●0...7340	RS 485	COM1	2.5/ 5.51	<b>XBTZ9008</b>	–

(1) Adaptor **XBTZG939** to be used with cables with “ + (1) ” after the reference.

(2) Adaptor **XBTZG909** to be used with cables with “ + (2) ” after the reference.

(3) Adaptor **XBTZG919** to be used with cables with “ + (3) ” after the reference.

(4) Except **XBTGT1●●0**.

# Operator dialogue terminals

## Magelis XBTGT Advanced Touch panels

### Connection accessories for terminals

#### Cables and adaptors for connecting Magelis terminals to third-party PLCs

##### Mitsubishi, Melsec PLCs

Description Driver used	Type of terminal	Type of connector (fitted to cable, excluding adaptor)	Physical link (COM1)	Length m/ft	Reference	Weight kg/lb
Connection cable, A CPU (SIO)	XBTGT2●●0...7340	9-way SUB-D 25-way SUB-D	RS 422	5/ 16.40	XBTZG9773	–
Connection cable, Q Link (SIO)	XBTGT2●●0...7340	9-way SUB-D 9-way SUB-D	RS 232C	5/ 16.40	XBTZG9772	–
Connection cable, Q CPU (SIO)	XBTGT2●●0...7340	9-way SUB-D mini-DIN	RS 232C	5/ 16.40	XBTZG9774	–
Connection cable, A Link (SIO)	XBTGT2●●0...7340	9-way SUB-D 25-way SUB-D	RS 232C	5/ 16.40	XBTZG9731	–
Connection cable, FX (CPU)	XBTGT2●●0...7340	9-way SUB-D mini-DIN	RS 422	5/ 16.40	XBTZG9775	–
Cable for 2-port adaptor, FX (CPU), A CPU (SIO) QnA CPU (SIO)	XBTGT2●●0...7340	9-way SUB-D Flying leads	RS 422	5/ 16.40	XBTZG9778 + (4)	–
Adaptor unit FX (CPU), A CPU (SIO) QnA CPU (SIO)	XBTGT2●●0...7340	2-port unit Screw terminals / 2 x 9-way SUB-D	RS 422	–	XBTZG979	–

109877



XBTZG9772

106876



XBTZG9731

##### Omron, Sysmac PLCs

Description Driver used	Type of terminal	Type of connector (fitted to cable, excluding adaptor)	Physical link (COM1)	Length m/ft	Reference	Weight kg/lb
Connection cables, Link (SIO)	XBTGT2●●0...7340	9-way SUB-D 9-way SUB-D	RS 232C	5/ 16.40	XBTZG9740	–
		9-way SUB-D 25-way SUB-D	RS 232C	5/ 16.40	XBTZG9731	–
Connecting cables, FINS (SIO)	XBTGT2●●0...7340	9-way SUB-D 9-way SUB-D	RS 232C	5/ 16.40	XBTZG9740	–

##### Rockwell Automation, Allen-Bradley PLCs

Description Driver used	Type of terminal	Type of connector (fitted to cable, excluding adaptor)	Physical link (COM1)	Length m/ft	Reference	Weight kg/lb
Connection cables, DF1 Full Duplex	XBTGT2●●0...7340	9-way SUB-D 25-way SUB-D	RS 232C	5/ 16.40	XBTZG9731	–
Connection cables, DH485	XBTGT2●●0...7340	25-way SUB-D 8-way mini-DIN	RS 485	5/ 16.40	XBTZ9732 + (2)	–

##### Siemens, Simatic PLCs

Description Driver used	Type of terminal	Type of connector (fitted to cable, excluding adaptor)	Physical link	Length m/ft	Reference	Weight kg/lb
Connection cables, PPI, S7 200	XBTGT2●●0...7340	RJ45/9-way SUB-D	RS 485 (COM2)	2.5/ 8.20	XBTZG9721	–
Connection cables, MPI port, S7 300/400	XBTGT2●●0...7340	9-way SUB-D 9-way SUB-D	RS 232C (COM1)	3/ 9.84	XBTZG9292	–
	XBTGT2●●0...7340	RJ45/flying leads other end	RS 485 (1) (COM2)	3/ 9.84	VW3A8306D30	0.150/ 0.331
		RJ45/9-way SUB-D	RS 485 (1) (COM1 or COM2) (3)	2.5/ 8.20	XBTZG9721	–

##### Customizable cables

Description Driver used	Terminal type	Type of connector (fitted to cable, excluding adaptor)	Physical link	Length m/ft	Reference	Weight kg/lb
Universal cable, RS 422	XBTGT2●●0...7340	9-way SUB-D/flying leads other end	RS 422 (COM1)	2.5/ 8.20	XBTZG9722	0.210/ 0.463
Universal adaptor, RS 422/485	XBTGT2●●0...7340	9-way SUB-D/Screw terminal	RS 422 (COM1)	–	XBTZG949 + (5)	–
		9-way SUB-D/Screw terminal	RS 485 (COM2)	–	XBTZG949 + (6)	–

(1) Non-isolated RS 485 serial link, 12 Mbps (187.5 kbps with XBTGT11●0/2110).

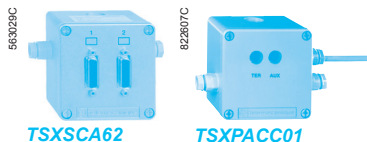
(2) Adaptor XBTZG909 to be used with cables with " + (2) " after the reference (see page 13).

(3) COM1 for HMIGTO1310, COM2 for the other terminals.

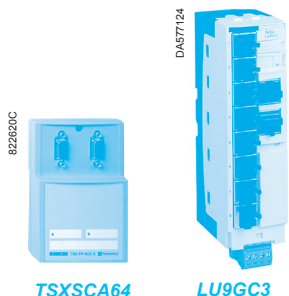
(4) Adaptor XBTZGCOM1 (9-way female/female SUB-D) to be used with cables with " + (4) " after the reference (XBTZG9778).

(5) Cable to be created by user and used in conjunction with 9-way female/female SUB-D adaptor XBTZGCOM1.

(6) Cable to be created by user and used in conjunction with isolation box XBTZGI485 and 9-way male/female SUB-D adaptor XBTZGCOM2.



TSXSACA62 TSXPACC01



TSXSACA64 LU9GC3



VW3A8306TF10



TWDXCAISO



ABL7RM24025

#### Connection of Magelis terminals via serial links and Ethernet network

Type of bus/network	Tap-off units	Connector (tap-off unit side)	Terminal type	Length m/ft	Reference	Weight kg/lb
Uni-Telway serial link	Subscriber socket <b>TSXSACA62</b>	15-way female SUB-D	XBTGT2●●0...7340	3/ 9.84	<b>VW3A8306</b>	0.150/ 0.331
			XBTGT2●●0...7340	1.8/ 5.90	<b>XBTZ908 + (2)</b>	0.240/ 0.529
	Connection box <b>TSXPACC01</b>	8-way female mini-DIN	XBTGT2●●0...7340	2.5/ 8.20	<b>XBTZ9780</b>	0.180/ 0.397
			XBTGT2●●0...7340	2.5/ 8.20	<b>XBTZ9018</b>	–
Modbus serial link	Subscriber socket <b>TSXSACA64</b>	15-way female SUB-D	XBTGT2●●0...7340	3/ 9.84	<b>VW3A8306</b>	0.150/ 0.331
			XBTGT2●●0...7340	1.8/ 5.90	<b>XBTZ908 + (2)</b>	0.240/ 0.529
	8-port Modbus splitter box <b>LU9GC3</b>	RJ45	XBTGT2●●0...7340	2.5/ 8.20	<b>XBTZ9008</b>	–
				2-port tap-off junction <b>TWDXCAISO</b> <b>TWDXCAT3RJ</b>		
T-junction box	With integrated cable, RJ45 fitted	XBTGT2●●0...7340	1/ 3.28	<b>VW3A8306TF10</b>	–	
Ethernet TCP/IP network	Hubs 499 NEH/NOH Switches 499 NES, 499 NMS, 499 NSS and 499 NOS	RJ45	XBTGT●●30 / ●●40	2/ 6.56	<b>490NTW00002</b>	–
				5/ 16.40	<b>490NTW00005</b>	–
				12/ 39.37	<b>490NTW00012</b>	–
				40/ 131.23	<b>490NTW00040</b>	–
				80/ 262.46	<b>490NTW00080</b>	–

#### Connection of Magelis terminals to fieldbuses

Type of bus/network	Connection components	Type of terminal	Reference	Weight kg/lb
FIPWAY, FIPIO	USB gateway	XBTGT	<b>TSXCUSBFIP</b>	–
Modbus Plus	USB gateway	XBTGT	<b>XBTZGUMP</b>	–
			<b>TSXCUSBMBP</b>	–
Profibus DP	Card on expansion bus	XBTGT	<b>XBTZGDPD</b>	–
Device Net	Card on expansion bus	XBTGT	<b>XBTZGDVN</b>	–

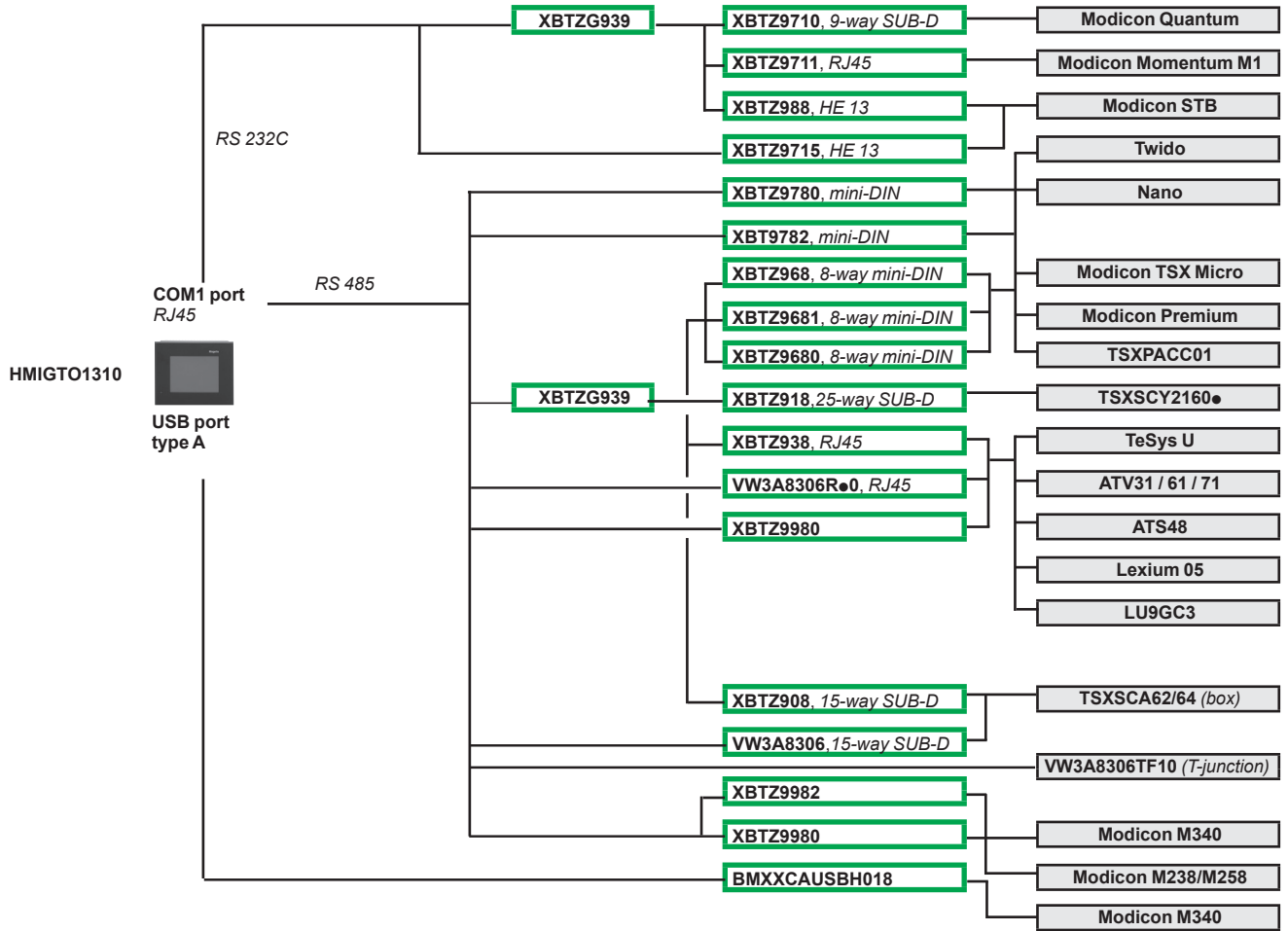
#### Modular regulated switch mode power supplies (1)

Input voltage/ Output voltage	Combination with terminals	Nominal power	Nominal current	Reference	Weight kg/lb
100...240 / 24 V single-phase wide range line supply 47...63 Hz	XBTGT1100...6340	30 W	1.2 A	<b>ABL8MEM24012</b>	0.195/ 0.430
	XBTGT7340	60 W	2.5 A	<b>ABL7RM24025</b>	0.255/ 0.562

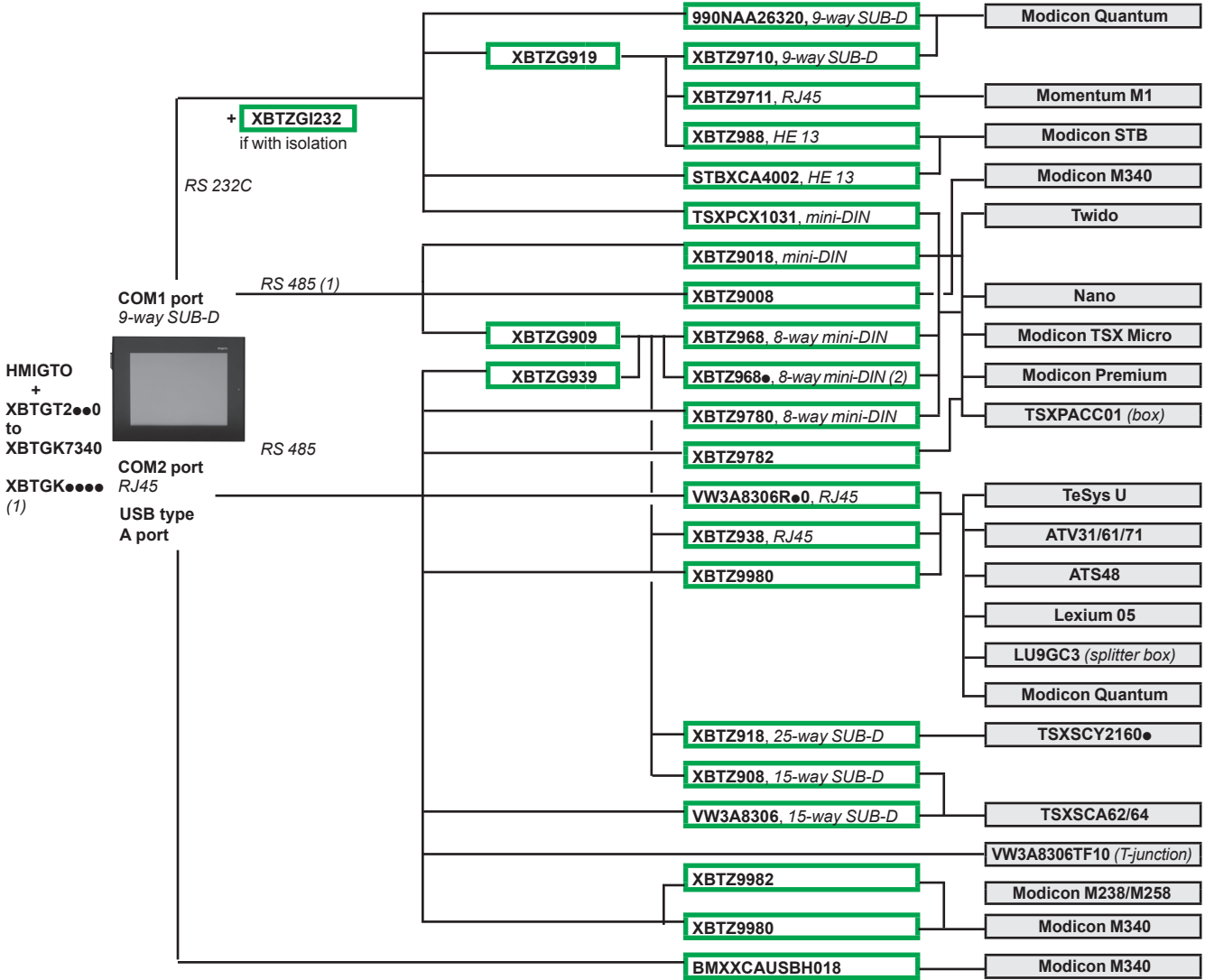
(1) Dimensions: H x W x D = 90 x 54 x 59 mm (ABL 8MEM24012) and 90 x 72 x 59 mm (ABL7RM24025). For further information, please refer to our website [www.schneider-electric.com](http://www.schneider-electric.com).

(2) Adaptor **XBTZG909** to be used with cables with " + (2) " after the reference (see page 13).

**XBTGT11•5 terminals, HMIGTO1310 terminals and Schneider Electric products**



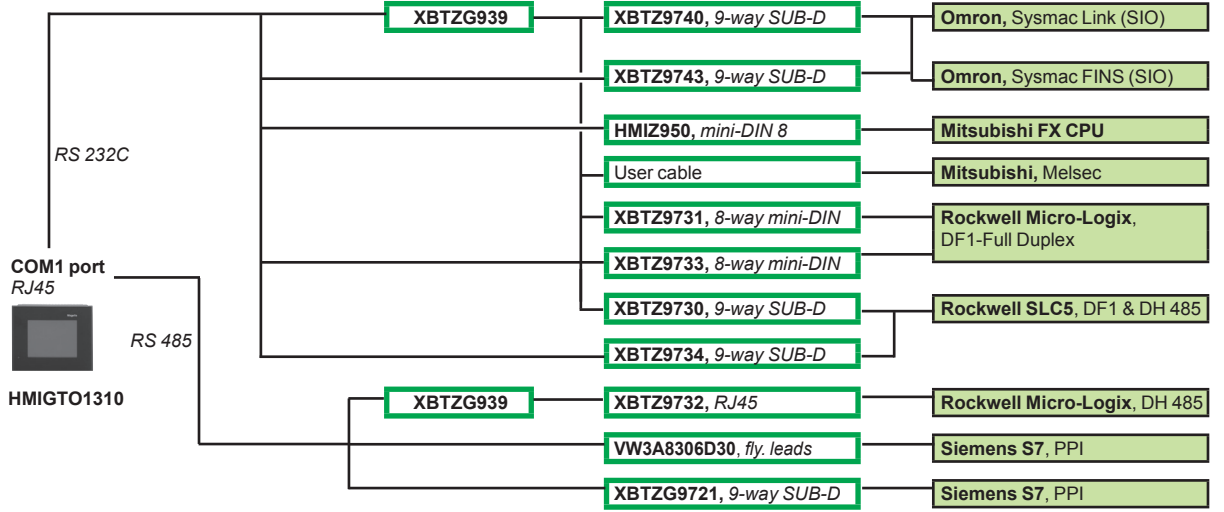
**XBTGT2●●0/GT7340/GK●●● terminals, HMIGTO terminals (except HMIGTO1310) and Schneider Electric products**



(1) RS485 not available for HMIGTO (COM1).

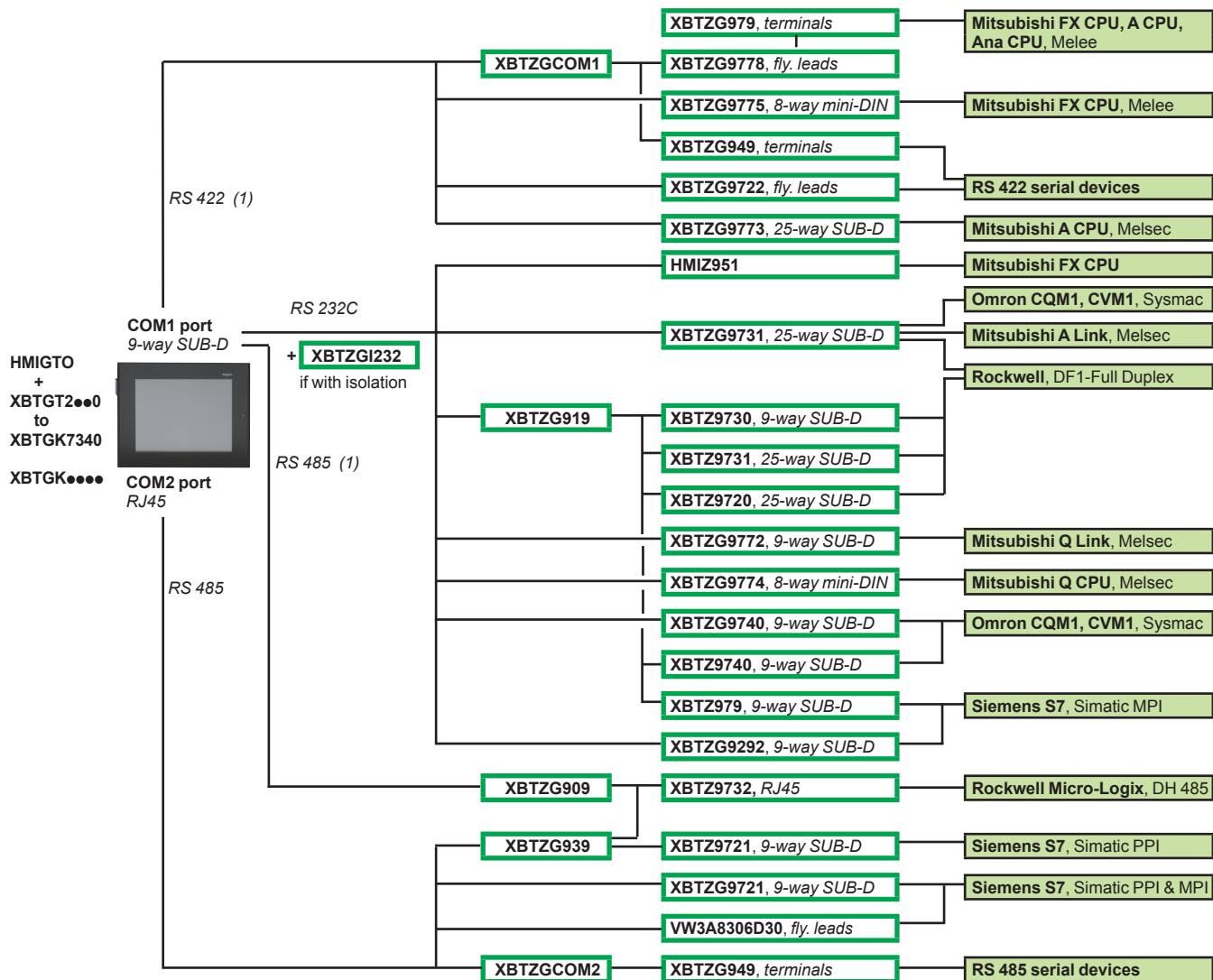
(2) ● defines the length:  
 - 0, 2.5 m (elbowed connector)  
 - 1, 5 m  
 - 6, 16 m  
 - 7, 20 m  
 - 8, 25 m

**HMIGTO1310 terminals and third party PLCs**



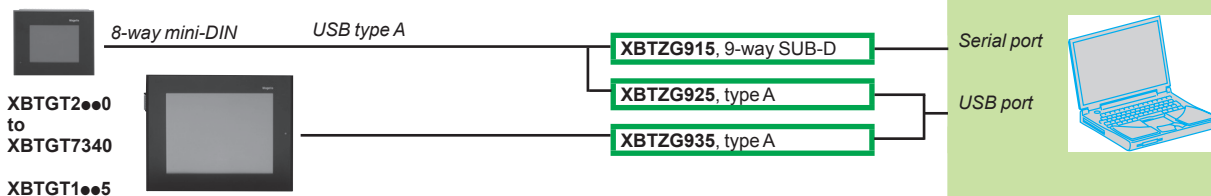


#### XBTGT2●●0/GT7340/GK●●● terminals, HMIGTO terminals and third-party PLCs



(1) RS 422 and RS 425 not available on HMIGTO (COM1).

#### Application transfer from XBTGT terminals to PC



#### Application transfer from HMIGTO terminals to PC



# Operator dialogue terminals

## Magelis XBTGT Advanced Touch panels

### Equivalent product table

Equivalent product table between XBTGT terminals and HMIGTO terminals			
Old range XBTGT	New range HMIGTO <i>Requires Vijeo Designer ≥ V6.1</i>	New range HMIGTU	Mechanical adaptor
XBTGT1100	HMIGTO1300	–	–
XBTGT1130	HMIGTO1310	–	–
XBTGT1105	HMIGTO1300	–	–
XBTGT1135	HMIGTO1310	–	–
XBTGT1335	HMIGTO1310	–	–
XBTGT2110	HMIGTO2300	–	–
XBTGT2120	HMIGTO2310	HMIDT351+HMIG3U	–
XBTGT2130	HMIGTO2310	HMIDT351+HMIG3U	–
XBTGT2220	HMIGTO2310	HMIDT351+HMIG3U	–
XBTGT2330	HMIGTO2310	HMIDT351+HMIG3U	–
XBTGT4230	HMIGTO4310	HMIDT351+HMIG3U	–
XBTGT4330	HMIGTO4310	HMIDT351+HMIG3U	–
XBTGT5230	HMIGTO5310	HMIDT542+HMIG3U	XBTZGC04
XBTGT5330	HMIGTO5310	HMIDT542+HMIG3U	–
XBTGT5430	HMIGTO5310	HMIDT542+HMIG3U	–
XBTGT6330	HMIGTO6310	HMIDT642+HMIG3U	–

Comments: when upgrading from the Magelis XBT range to the Magelis GTO Optimum range, the following parameters must be taken into account:

- connection to the Profibus DP and Device Net fieldbuses is not possible,
- a combined RS232/RS422 serial link is not possible with COM1,
- there is no "alarm" output or "loudspeaker" output in the current version of the Optimum range.

490NTW00002	16	XBTZG65	12
490NTW00005	16	XBTZG66	12
490NTW00012	16	XBTZG70	12
490NTW00040	16	XBTZG71	12
490NTW00080	16	XBTZG909	13
990NAA26320	14	XBTZG919	13
<b>B</b>		XBTZG935	13
BMXXCAUSBH018	14	XBTZG939	13
BMXXCAUSBH045	14	XBTZG949	15
<b>H</b>		XBTZG979	15
HMIZURS	13	XBTZG9292	15
<b>M</b>		XBTZG9721	15
MPCYK10MNTKIT	12	XBTZG9722	15
MPCYK20MNTKIT	12	XBTZG9731	15
MPCYK50MNTKIT	12	XBTZG9740	15
MPCYK50SPSKIT	12	XBTZG9772	15
MPCYN00CF100N	12	XBTZG9773	15
MPCYN00CF200N	12	XBTZG9774	15
MPCYN00CFE00N	12	XBTZG9775	15
<b>S</b>		XBTZG9778	15
STBXCA4002	14	XBTZGAUX	13
<b>T</b>		XBTZGCLP1	13
TSXCUSBMBP	16	XBTZGCLP2	13
<b>V</b>		XBTZGCNC	13
VW3A8306	16	XBTZGCO1	12
VW3A8306D30	15	XBTZGCO2	12
VW3A8306TF10	16	XBTZGCO3	12
<b>X</b>		XBTZGCO4	12
XBTGT2430	11	XBTZGFIX	13
XBTGT2930	11	XBTZGI232	13
XBTGT4340	11	XBTZGI485	13
XBTGT5340	11	XBTZGM128	12
XBTGT6340	11	XBTZGM256	12
XBTGT7340	11	XBTZGPWS1	13
XBTZ908	16	XBTZGPWS2	13
XBTZ915	13	XBTZGUSB	12
XBTZ918	14	XBTZGUSBB	12
XBTZ938	14		
XBTZ968	14		
XBTZ988	14		
XBTZ3002	12		
XBTZ9008	14		
	16		
XBTZ9018	14		
	16		
XBTZ9681	14		
XBTZ9710	14		
XBTZ9711	14		
XBTZ9732	15		
XBTZ9780	14		
	16		
XBTZ9782	14		
XBTZ9980	14		
XBTZ9982	14		
XBTZG45	13		
XBTZG45B	13		
XBTZG47	13		
XBTZG52	13		
XBTZG54	13		
XBTZG55	13		
XBTZG56	13		
XBTZG57	13		
XBTZG62	12		
XBTZG64	12		



Human Machine Interface



**Schneider Electric Industries SAS**

Head Office  
35, rue Joseph Monier  
F-92500 Rueil-Malmaison  
France

[www.schneider-electric.com/hmi](http://www.schneider-electric.com/hmi)

The information provided in this documentation contains general descriptions and/or technical characteristics of the performance of the products contained herein. This documentation is not intended as a substitute for and is not to be used for determining suitability or reliability of these products for specific user applications. It is the duty of any such user or integrator to perform the appropriate and complete risk analysis, evaluation and testing of the products with respect to the relevant specific application or use thereof. Neither Schneider Electric nor any of its affiliates or subsidiaries shall be responsible or liable for misuse of the information contained herein.

Design: Schneider Electric  
Photos: Schneider Electric

March 2017 - V2.0

DIA5ED2131201EN