

# CHANCE<sup>®</sup>

## Conductor Support Equipment

Catalog 2200 March 2020

Conductor Support Equipment -2200



## Wire Tong Applications

The following information is intended to assist in the selection of the proper Wire Tongs for a particular

application and greatest load. Four popular application methods are shown on these pages.

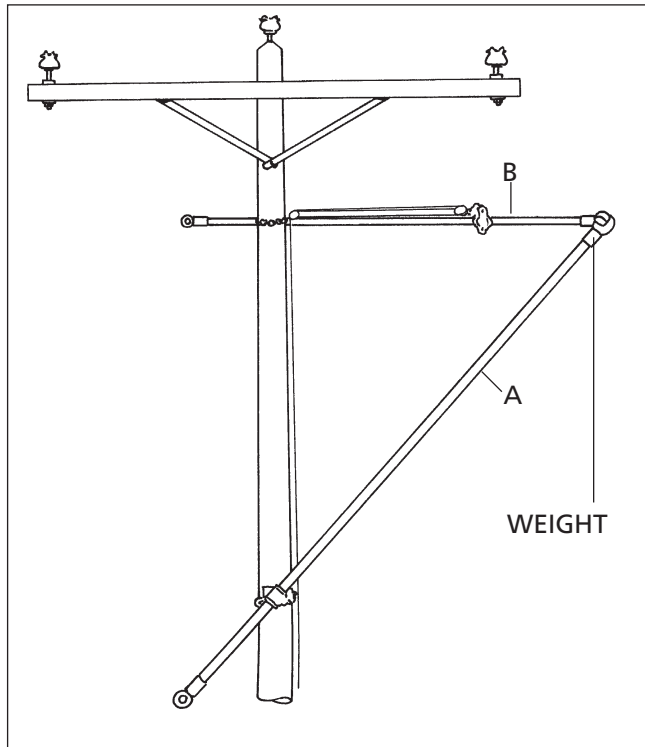


Figure 1 — Wire Tongs with saddles and wire tong blocks clamp on holding stick.

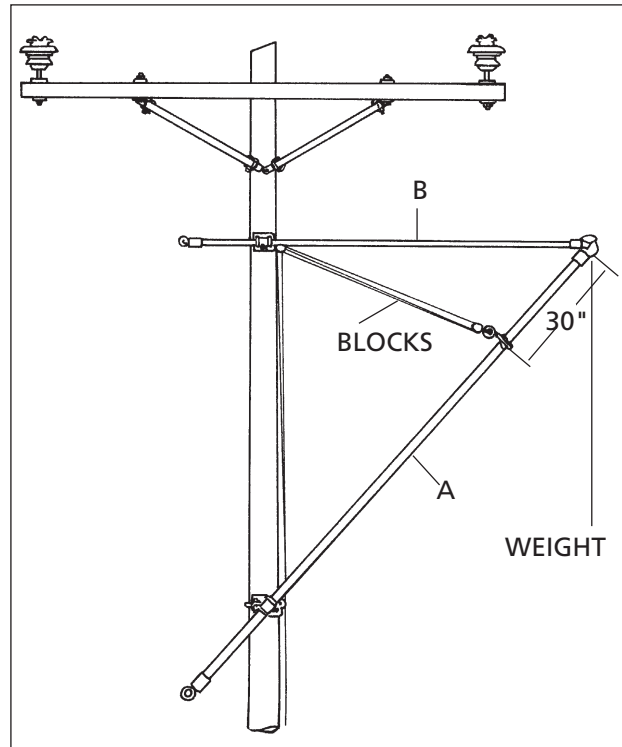


Figure 2 — Wire Tong with saddles and swivel wire tong band on lift stick.

### WORKING LOADS FOR CHANCE WIRE TONGS\*

Figure No.	Pole Diameter (inches)		Type Support	Maximum Working Load (lb. per Conductor)	Maximum Wire Size and Span (In Feet) (Level Ground)			
	Epoxiglas				ACSR		Copper	
	A	B			Size	Span	Size	Span
1	2 x 12	1½ x 10	Saddles	275	4/0	700	4/0	300
	2½ x 12	1½ x 10	Lever Lift	475	4/0	1200	4/0	500
2	2 x 12	1½ x 10	Saddles	275	4/0	700	4/0	300
	2½ x 12	1½ x 10	Lever Lift	475	4/0	1200	4/0	500

\*Based on Tong "B" substantially horizontal. The lower the top saddle is placed below the conductor level, the greater the strain on Tong "A" and therefore the less load it can support.

#### NOTE:

##### (1) Supports

- Maximum recommended load for Saddles with extensions is 800 lbs.
- Lever Lift will exceed Wire Tong strength when load is properly applied in line with pole

##### (2) Working Loads

- Any elevated structure requires an analysis in determining the load
- When calculations are impractical or unnecessary, and a pole is slightly higher than neighboring poles, consider total weight of span on each side as maximum working load
- Does not apply to hilltop structures where special analysis must be made to determine load

- When working load is greater than that given in the table for a particular Wire Tong, it will be necessary to use double Wire Tongs with double-type lever lift, or use larger Wire Tong

##### (3) Epoxiglas® Working Loads

- Maximum working loads are based on a pole deflection of approximately one inch when used in manner shown
- Cantilever values, with a safety factor of more than two, are: 1-1/2" – 375 ft.-lb.; 2" – 900 ft.-lb.; 2-1/2" – 1500 ft.-lb.; and 3" – 2500 ft.-lb.
- Tensile strength values, with a safety factor more than two, are: 1-1/2" – 1500 lb.; 2" – 2000 lb.; 2-1/2" – 2500 lb.; and 3" – 3000 lb.



# Wire Tong Applications

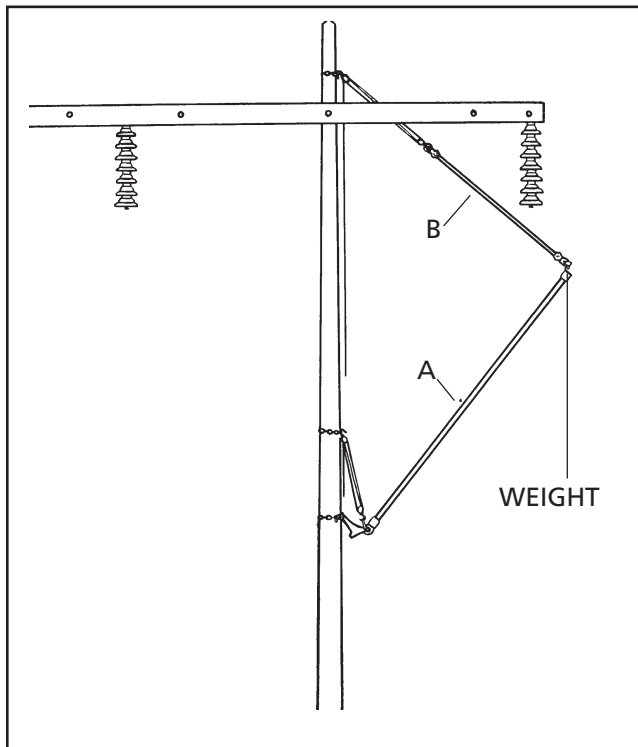


Figure 3— Wire Tongs, lever lift, link stick, and rope blocks used on heavy conductors.

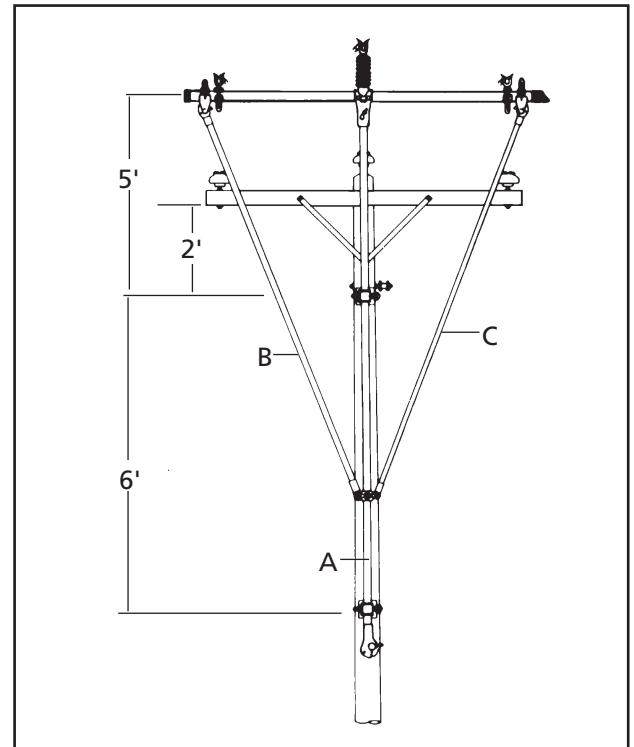


Figure 4— Three Phase Lift Set where all three wires are lifted at once.

## WORKING LOADS FOR CHANCE WIRE TONGS

Figure No.	Pole Diameter (inches) Epoxyglas			Type Support	Maximum Working Load (lb. per Conductor)	Maximum Wire Size and Span (In Feet) (Level Ground)			
	A	B	C			ACSR		Copper	
						Size	Span	Size	Span
3	2 x 12	1 1/2		Lever Lift	350	4/0	850	4/0	
	2 1/2 x 12	1 1/2			1000	397.5	1150	250	
4	2 1/2 x 12	2 x 8	2 x 8	Saddles	225+*	4/0	550	4/0	

\*With max. lift of 5' above saddle, max. unbalance of 225 lb. on one side.

**NOTE:**

**(1) Supports**

- Maximum recommended load for Saddles with extensions is 800 lbs.
- Lever Lift will exceed Wire Tong strength when load is properly applied in line with pole

**(2) Working Loads**

- Any elevated structure requires an analysis in determining the load
- When calculations are impractical or unnecessary, and a pole is slightly higher than neighboring poles, consider total weight of span on each side as maximum working load
- Does not apply to hilltop structures where special analysis must be made to determine load

- When working load is greater than that given in the table for a particular Wire Tong, it will be necessary to use double Wire Tongs with double-type lever lift, or use larger Wire Tong

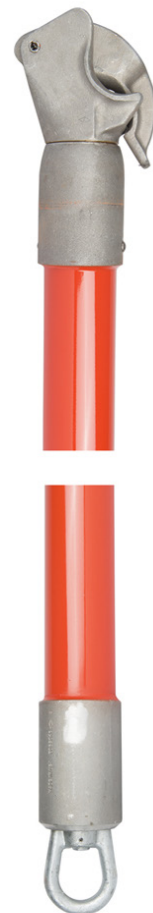
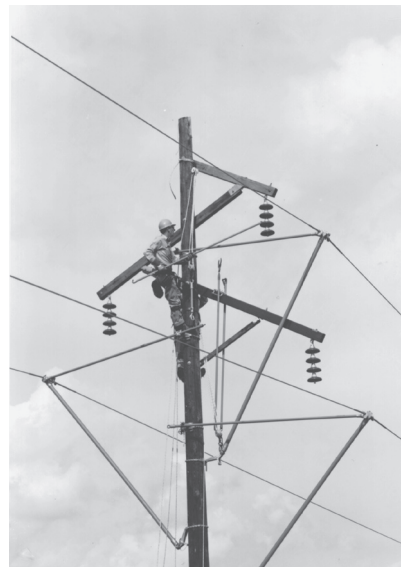
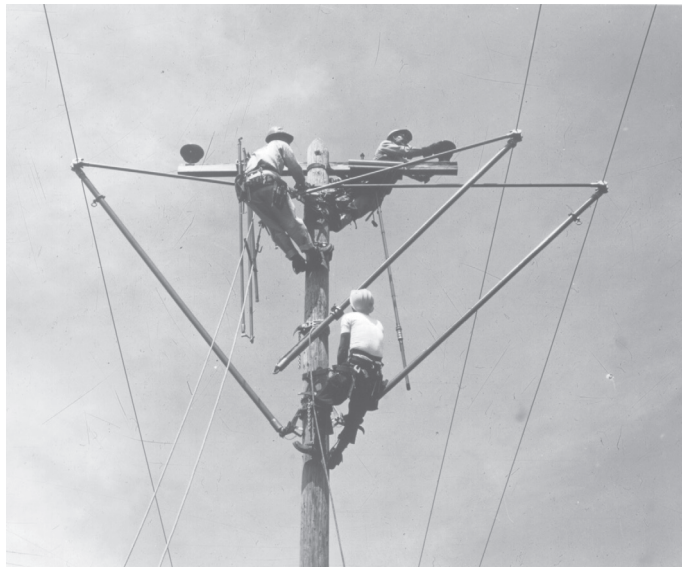
**(3) Epoxyglas® Working Loads**

- Maximum working loads are based on a pole deflection of approximately one inch when used in manner shown
- Cantilever values, with a safety factor of more than two, are: 1-1/2" – 375 ft.-lb.; 2" – 900 ft.-lb.; 2-1/2" – 1500 ft.-lb.; and 3" – 2500 ft.-lb.
- Tensile strength values, with a safety factor more than two, are: 1-1/2" – 1500 lb.; 2" – 2000 lb.; 2-1/2" – 2500 lb.; and 3" – 3000 lb.

## Wire Tongs

### Features & Applications

- Tested per OSHA & ASTM F711
- Designed for moving and holding conductors clear of working area
- Also used for flat crossarm and/or ridge pin-construction, on horizontal post insulator structures, and all types of suspension insulator lines
- Also used as auxiliary arm braces, and in EHV construction for brace pole or ladder positioning guides
- Whole family of clamps, attachments, saddles and lever lifts allows wire tongs to be adapted to mechanical requirements of various maintenance jobs
- Made with Epoxiglas® poles
- Castings made with heat-treated aluminum alloy, separated by bronze wear rings
- Wide-range jaws on head can be clamped tightly on conductor by turning stick from a position beyond minimum work clearances.
- Large head available on two tong sizes for extremely large conductors
- For working load, size, and application information, see pages 2202 and 2203

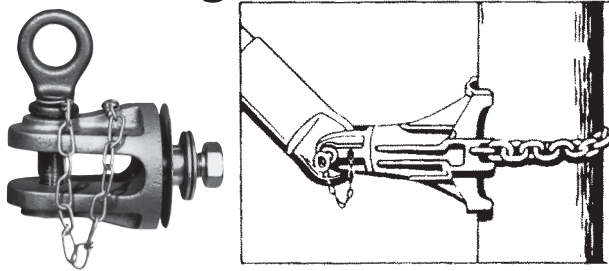


Catalog No.	Pole Dia. & Length	Overall Length	Wire Size		Approx. Weight
			Min.	Max.	
H46458	1½ x 8'	8' 7½"	0.16"	2.25"	7 lb./ 3.2 kg.
H464510	1½ x 10'	10' 7½"	0.16"	2.25"	8 lb./ 3.6 kg.
H46468	2" x 8'	8' 8"	0.16"	2.25"	11 lb./ 5.0 kg.
H464610	2" x 10'	10' 8"	0.16"	2.25"	12 lb./ 5.4 kg.
H464612	2" x 12'	12' 8"	0.16"	2.25"	14 lb./ 6.3 kg.
H464710	2½" x 10'	10' 8"	0.16"	2.25"	16½ lb./ 7.4 kg.
H464712	2½" x 12'	12' 8"	0.16"	2.25"	18½ lb./ 8.3 kg.
H464714	2½" x 14'	14' 8"	0.16"	2.25"	20½ lb./ 9.2 kg.
H464716	Spliced 2½" x 16'	17' 2"	0.16"	2.25"	28 lb./12.6 kg.
C4000171	3" x 12'	12' 10"	0.16"	2.25"	30 lb./13.5 kg.
C4000172	3" x 14'	14' 10"	0.16"	2.25"	35 lb./15.9 kg.
H467712	2½" x 12'	12' 10"	1.50"	2.88"	23 lb./10.4 kg.
H467714	2½" x 14'	14' 10"	1.50"	2.88"	25 lb./11.3 kg.





## Wire-Tong Saddle Clevis



### Features & Applications

- Used to attach butt ring of a wire tong, as a crossarm brace, to a wire tong saddle
- Allows wire tong to pivot and engage wire tong arm stirrup
- Wire tong can be attached after arm has been secured to pole

Cat. No.	Description	Weight
M474014	Wire Tong Saddle Clevis	14 oz./ 3 kg.

## WIRE TONG BAND

### Features & Applications

- Two screws clamp band to wire tong
- Each screw is threaded into half of the band and engages a slot in opposite half
- This permits halves of the band to be separated by a sliding action without removing screws
- Hinge ring slides on band, allowing rotation of wire tong when tong is supported by rope blocks
- For positive insulation between rope blocks and live conductors, install band at least the minimum distance for voltage class
- See table on page 2202

Cat. No.	For Pole Dia.	Weight
M17293	1½"	1½ lb./0.7 kg.
M1729	2"	1⅝ lb./0.7 kg.
M17291	2½"	1¾ lb./0.8 kg.
M17292	3"	1⅞ lb./0.8 kg.

## WIRE TONG BLOCKS CLAMP

### Features & Applications

- Use where pull is in line with pole
- Secured to wire tong under tension
- Rope blocks are connected to clamp ring
- This application places pull force in line with top wire tong
- Assists in pulling heavy conductors back into position

Cat. No.	For Pole Dia.	Weight
M4743	1½"	2⅝ lb./1.2 kg.
M47431	2"	2.3 lb./1.1 kg.
M47432	2½"	3.0 lb./1.4 kg.

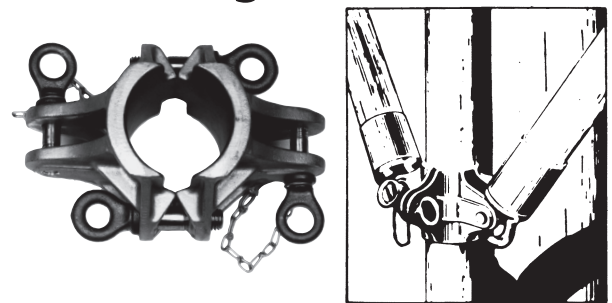
## WIRE TONG SWIVEL

### Features & Applications

- Designed to prevent kinking of conductor
- By attaching swivel to left tong and the holding tong hooked into the clevis attachment, there is only one tong hooked on the conductor
- Clevis pivots to allow tongs to assume correct positions
- This avoids the kinking caused by two wire tongs hooked side-by-side on a conductor

Cat. No.	For Pole Dia.	Weight
M4745	2"	1½ lb./0.7 kg.
M47451	2½"	1¾ lb./0.8 kg.

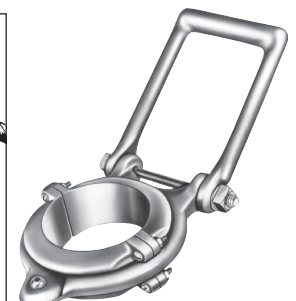
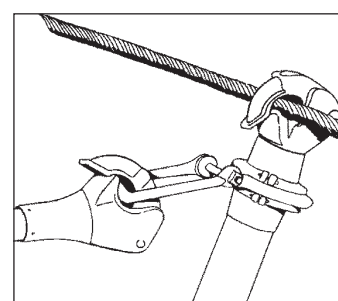
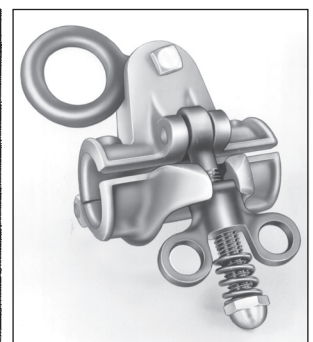
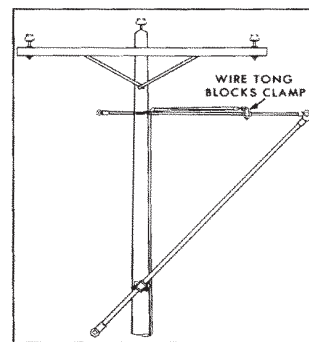
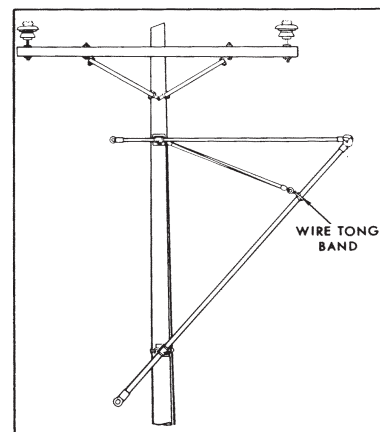
## Wire-Tong Pole Clevis



### Features & Applications

- Clamps around vertical wire tong supporting an auxiliary crossarm
- Engages butt rings of two wire tongs used as side braces

Cat. No.	Size	Weight
M17285	2½"	2½ lb./1.1 kg.
C4000345	3"	3¾ lb./1.7 kg.



## Wire-Tong Saddles



M474010W



M474018W



M47405W



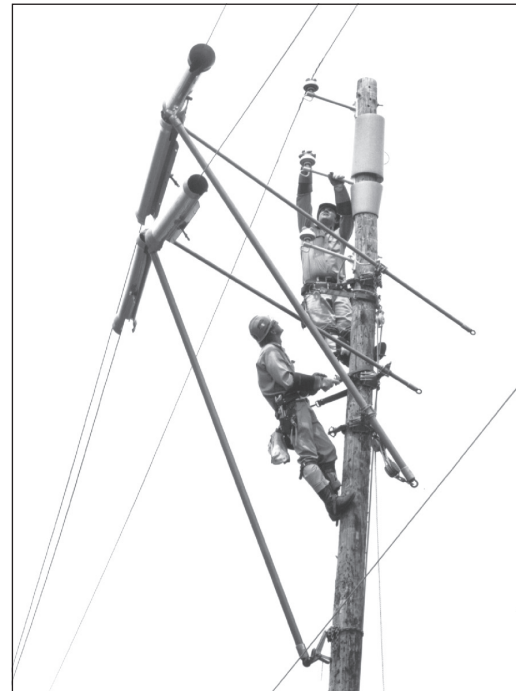
M474020W



M47412  
Pole Clamp



C4000073  
Extension



### Features & Applications

- Made of strong, yet lightweight aluminum alloy for handling ease
- Will support a maximum of 1000 lbs. (450 kg) without extension
- Has a tested working load rating of 800 lbs. (360 kg.) with extension
- Clamp is set far enough away from base to provide ample clearance for most jobs
- Can be bolted to the saddle when additional clearance is required
- Heat-treated aluminum-alloy extension is 4 inches (100 mm) long
- Wheel Type fasteners are easy to apply, hold saddle firmly in place and prevent riding down
- Wheel Tightener can fit into close places, including between crossarm braces

Catalog No.	Description	Approx. Weight
M47403W	Saddle and Tightener and 1½" (37.5mm) clamp	10 lb. 1 oz./4.56 kg.
M47404W	Saddle and Tightener and 2" (50mm) clamp	10 lb. 5 oz./4.68 kg.
M47405W	Saddle and Tightener and 2½" (62.5mm) clamp	10 lb. 9 oz./4.80 kg.
M47409W	Saddle and Tightener and 3" (75mm) clamp	10 lb. 12 oz./4.90 kg.
M474010W	Saddle and Tightener less clamp	8 lb. /3.60 kg.
M474015W	Saddle Wheel Tightener and Clevis	6 lb. 11 oz./3.03 kg.
M474016W	Saddle, Tightener, 1½" (37.5mm) clamp & extension	11 lb. 1 oz./5.01 kg.
M474017W	Saddle, Tightener, 2" (50mm) clamp & extension	11 lb. 5 oz./5.13 kg.
M474018W	Saddle, Tightener, 2½" (62.5mm) clamp & extension	11 lb. 9 oz./5.24 kg.
M474019W	Saddle, Tightener, 3" (75mm) clamp & extension	11 lb. 12 oz./5.33 kg.
M474020W	Saddle, Tightener, extension less clamp	9 lb. /4.08 kg.
C4000073	Wire Tong Saddle Extension	1 lb. /0.45 kg.
M47411	1½" (37.5mm) pole clamp only	2 lb. 1 oz./0.93 kg.
M47412	2" (50mm) pole clamp only	2 lb. 5 oz./1.04 kg.
M47413	2½" (62.5mm) pole clamp only	2 lb. 9 oz./1.20 kg.
M47415	3" (75mm) pole clamp only	2 lb. 12 oz./1.25 kg.



## CHAIN TIGHTENERS & EXTENSIONS

### Features & Applications

- For building wire tong holding assemblies, or for replacement
- Wheel Type fasteners are easy to apply, hold saddle firmly in place and prevent riding
- Wheel tightener has spring take-up
- Maximum workload is 2,500 lbs.
- Extension Chain increases length of Chain Tightener
- This allows Chain Tightener to be used on large-diameter poles

Catalog No.	Description	Weight
M1848W	Wheel Tightener Assembly (36" Chain)	5 <sup>3</sup> / <sub>4</sub> lb./2.6 kg.
M1847	18" Extension Chain	1 <sup>5</sup> / <sub>8</sub> lb./ .7 kg.
M18473	36" Extension Chain	3 lb./1.4 kg.
M18474	48" Extension Chain	4 lb./1.9 kg.
M18476	72" Extension Chain	6 lb./2.8 kg.
070358P	Wheel Tightener Only	3 <sup>1</sup> / <sub>2</sub> lb./1.8 kg.



M1848W



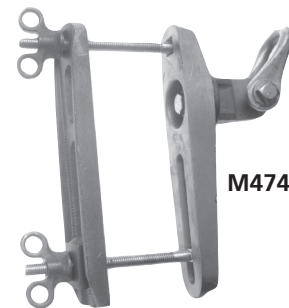
M1847

## CROSSARM TYPE SADDLE

### Features & Applications

- For underbuilt arms, when working space is limited or crowded with pole saddles
- Pivoting action of the saddle swivel and pole clamp attachment offers universal-joint action
- This allows movement of the wire tong in any direction and without binding
- Saddle shown does not include pole clamps, shown on page 2206
- Maximum workload is 500 lbs.

Catalog No.	Fits Crossarms	Weight
M4744	3" x 4 <sup>1</sup> / <sub>4</sub> " to 4" x 8"	6 lb./2.7 kg.



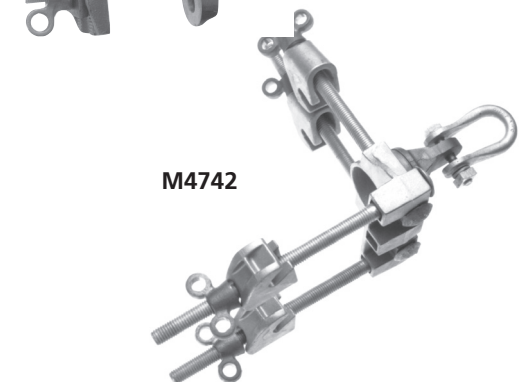
M4744

## TOWER TYPE SADDLE

### Features & Applications

- Used to support wire tongs or boom poles on towers
- Securely fastened to the angle-iron tower leg by four hooks tightened by wing nuts
- A clevis which bolts through the pivot lug permits rope blocks to be fastened
- This allows rope blocks to pivot with the wire tong or boom pole
- Saddle shown does not include pole clamps, shown on page 2206
- Maximum workload is 1,000 lbs.

Catalog No.	Description	Weight
M4742	Tower Saddle Less Clamp with regular hooks	11.25 lb./5.1 kg.
T4001413	Tower Saddle with small and large hooks	13.25 lb./6 kg.



M4742

## WIRE TONG STIRRUP

### Features & Applications

- Standard equipment with Chance Auxiliary Arms
- Stirrup may be ordered separately, for attaching Wire Tong Braces to Arm

Catalog No.	Description	Weight
C4000331	Wire Tong Stirrup	1 <sup>1</sup> / <sub>4</sub> lb/0.55 kg.



C4000331

## ROPE SNUBBING BRACKET

### Features & Applications

- Easily prevents line snarls
- Snubs all hand or light block lines to this bracket, mounted at the base of the pole to the six different rings
- Maximum workload is 1,000 lbs.

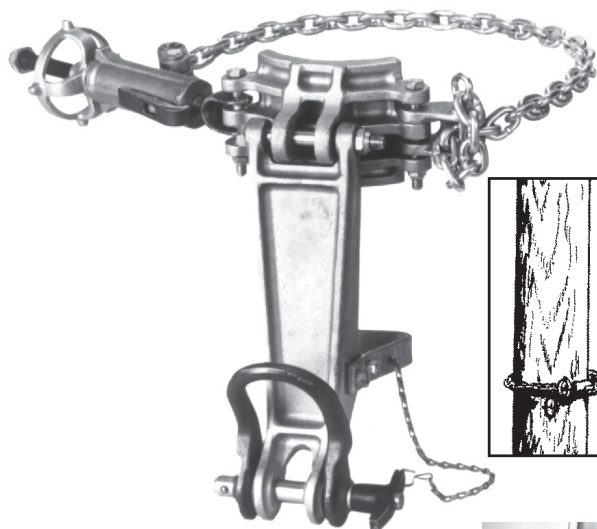
Catalog No.	Description	Weight
M1846W	Bracket with wheel tightener and 36" Chain	7 <sup>1</sup> / <sub>2</sub> lb/3.4 kg.



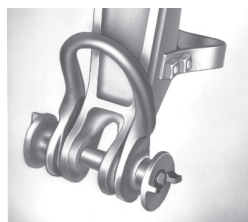
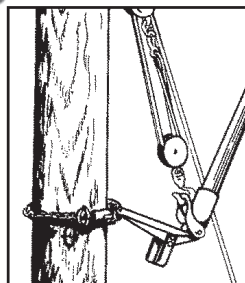
M1846W



## Lever-Lift Wire Tong Support



M4760W



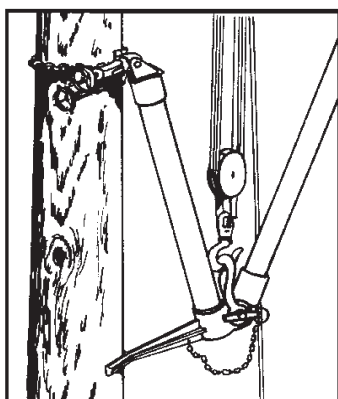
Double Type



C4001016



M47602



### Aluminum Base

#### Features & Applications

- For use where working space on pole is limited
- Also used on H-frame or heavy suspension insulator construction for raising or lowering conductors with wire tongs
- Lever Lift should be used in place of Wire Tong Saddles when loads exceed 500 lbs.
- Wire tong is attached to the Single Type by simply removing the cotter key
- Next, slide the shaft to the side, placing the butt ring of the tong into the fork
- Next, shoot the shaft through, and replace the cotter key
- For the Double Type, remove the wing nuts, slip butt rings of the two wire tongs on the shaft extensions and replace wing nuts
- High-strength aluminum alloy Lever Lifts are lightweight and easy to handle
- Provide a total conductor lift of 20¾ inches, and will support any size of wire tong
- When two Lever Lifts are required, one at each side of the pole, they can be attached at virtually the same height
- An arbor adapter is available to convert the Single Type Lever Lift to a Double Type
- Each Lever Lift is equipped with a clevis for attaching rope blocks
- The clevis, used at the end of the Lever Lift for attaching the lower rope blocks, will rotate on the same pin that holds the wire tong(s), permitting freedom of movement

Catalog No.	Description	Working Load Per Tong	Weight
M4760W	Single Type Lever Lift	1000 lb.	14½ lb./6.5 kg.
M47601W	Double Type Lever Lift	750 lb.	15½ lb./7.0 kg.
M47602	Arbor Adapter	—	1¾ lb./0.8 kg.

### Epoxiglas® Base

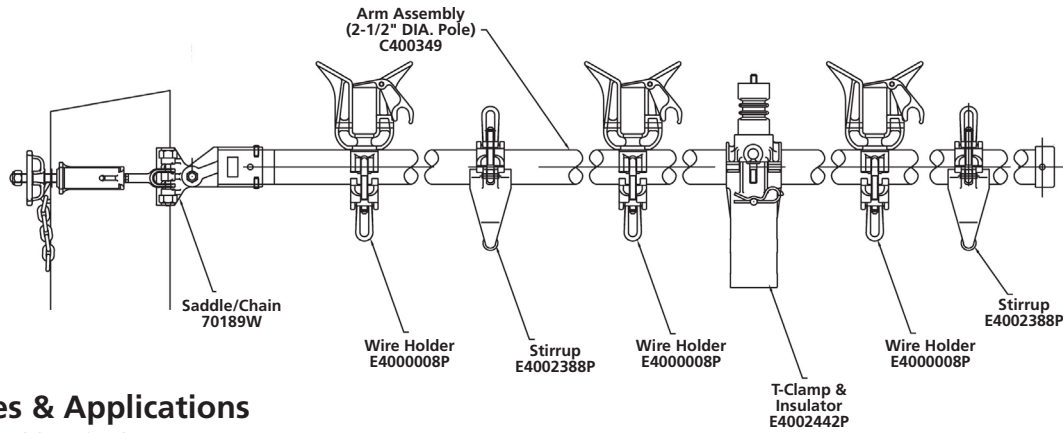
#### Features & Applications

- For same applications as aluminum-base units
- Normally used on higher transmission voltages where more lifting space is required
- Has a total conductor lift of 36"
- Arbor adapter (M47602) shown above can be used to convert an Epoxiglas lever lift into a double lift for two wire tongs
- Epoxiglas member is 36" long and provides the same working load per tong as the aluminum units

Catalog No.	Description	Working Load per Tong	Weight
C4001016	Epoxiglas Lever Lift	1000 lb.	18 lb./8.1 kg.



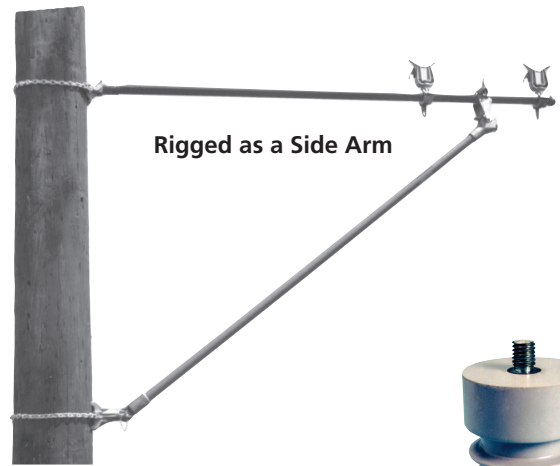
# Dual Auxiliary Arm



## Features & Applications

TESTED PER OSHA & ASTM F711

- For use where a changeout of poles, crossarms or insulators is necessary
- Standard Chance Epoxiglas® tools are lightweight and easily rigged
- Can be used as a side arm on regular construction, or alley arm construction
- Movable wireholders can be spaced for minimum conductor travel from the crossarm to the temporary arm
- Arm is long enough for use as a lifting arm with the use of three standard Chance Wiretongs
- When arm is to be left up overnight or during a period of possible rain, it should be wiped down with a silicone-treated cloth
- Furnished with 2 self-latching type E400008P Fork wireholders with 1.5" opening
- When lowered into wireholder, conductor trips safety latch, locking conductor into wireholder
- Latch must be swiveled with an insulated live line stick to release the conductor



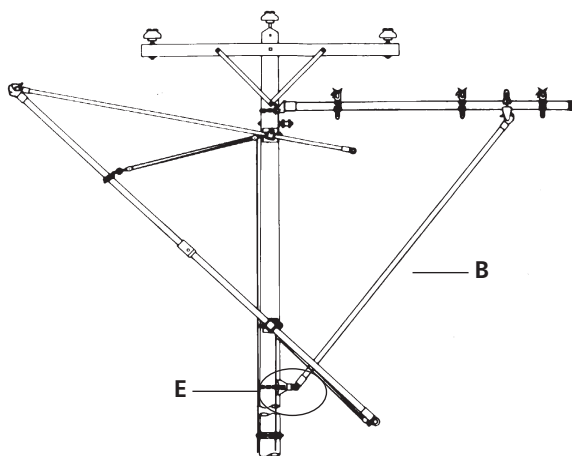
## Electrical Ratings

**GLOSSY, CLEAN AND DRY EPOXIGLAS®**  
 15kV Phase to Phase  
 34.5kV Phase to Phase with M48057 Insulators are used on each wireholder



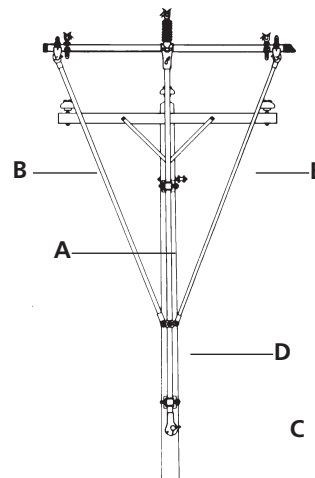
M48057

Catalog No.	Description	Weight
C4000075	Dual Auxiliary Arm, 10 ft., with Wheel Binder & 1.5" Fork Wireholder	33 lb./ 14.9 kg.



## Accessory Tools Required For Side Arm Application

- One B 2" x 8' Wire Tong H46468
  - One E Pole Type Saddle with Clevis M474015W
- Plus necessary insulated hand held tools.

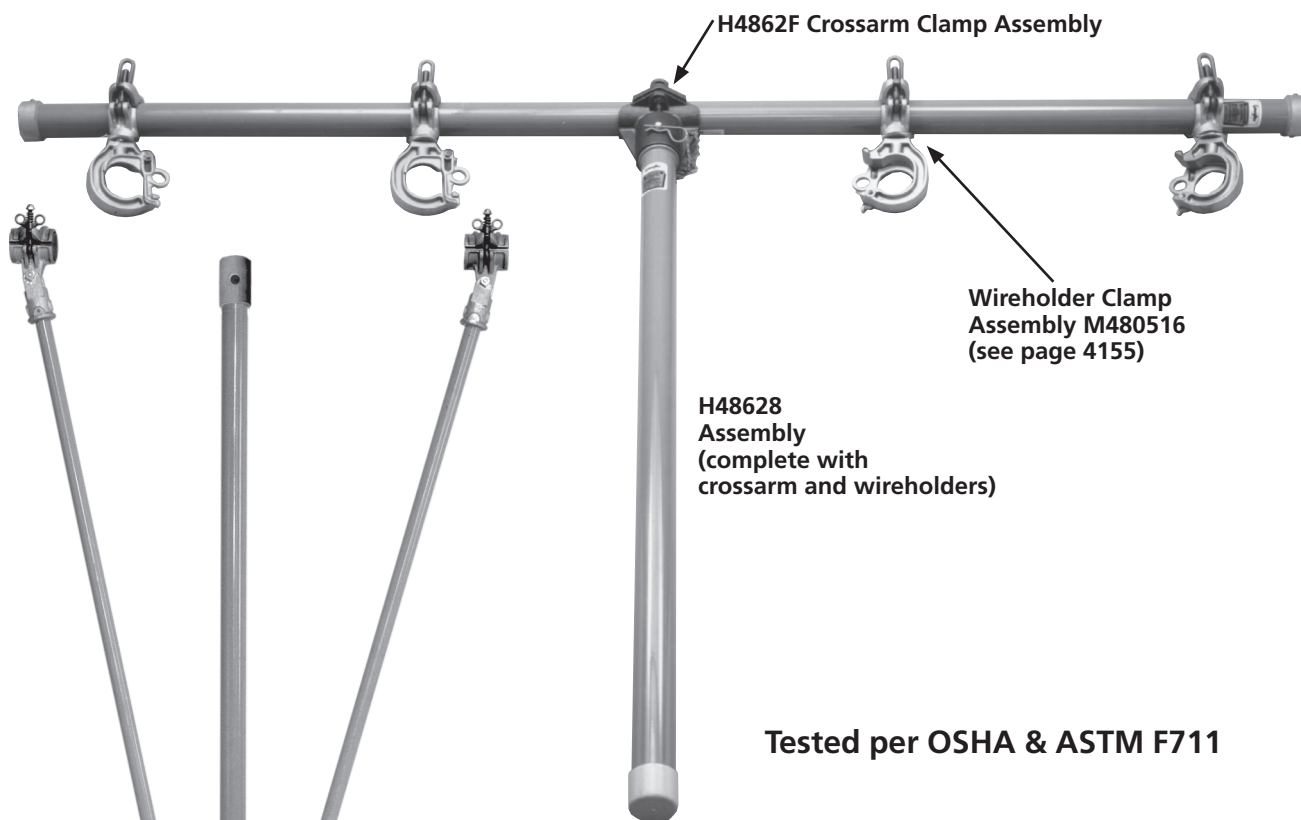


## Accessory Tools Required For Lifting Arm Application

- One A 2 1/2" x 16' Wire Tong H464716
  - Two B 2" x 8' Wire Tong H46468
  - Two C Pole Type Saddles with Extension M474018W and 2 1/2" Pole Clamps
  - One D 2 1/2" Pole Clevis M17285
- Plus necessary insulated hand held tools.



## Rubber-Glove Auxiliary Arm



Tested per OSHA & ASTM F711

### Features & Applications

- Used to change crossarms, insulators, or poles
- For short spans up to and including 15 kV phase-to-phase
- Two M47405W wire tong saddles can be used to mount mast to pole
- Saddles are not included and must be ordered separately
- Two mast pole lengths are available
- 5' mast provides a lift of 30" above the top saddle
- 10' mast provides a lift to 46" when saddles are mounted a recommended 18" apart
- Arm has a balanced rating of 600 lbs. – unbalanced at 150 lbs.
- Each wireholder is rated at 150 lbs.

**H486251**  
Mast and Braces only  
(included: crossarm clamps  
and mast-base swivel fitting)

Catalog No.	Description	Wireholders		Mast Pole Size	Crossarm Pole Size	Weight
		Qty.	Capacity			
H48628	Auxiliary Arm Assembly	4	2½" Max.	2½" x 4'11"	2½" x 8'	42 lb./18.9 kg.
H486251	Mast & Braces	None	N/A	2½" x 10'	None	37 lb./16.65 kg.

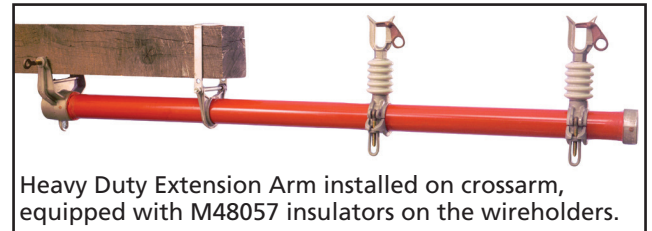


# Extension Arm



## Features & Applications

- Tested per OSHA & ASTM F711
- For use when reconductoring or insulator replacement is necessary
- Suspended under the crossarm by brackets to enable to conductor to be removed from the original crossarm and placed in the wireholder mounted on the Arm



## Electrical Ratings

GLOSSY, CLEAN AND DRY EPOXIGLAS<sup>®</sup>  
 15kV Phase to Phase  
 34.5kV Phase to Phase with M48057  
 Insulators are used on each wireholder

For 34.5 kV M48057 insulator should be installed.



M48057

- Order insulators separately

Catalog No.	Epoxiglas Arm Dia. & Length	No. of Wireholders	Fits Maximum Crossarm Size	Max. Vertical Loading Per Wireholder	Weight	Replacement Eye Screw
H480060	2 1/2" x 5'	1	3 3/4" x 4 3/4"	150 lb.	11 1/2 lb./6.2 kg.	640062P
H480072	2 1/2" x 6'	2	3 3/4" x 4 3/4"	150 lb.	13 lb./5.9 kg.	640062P
T4032417	2 1/2" x 6'	2	3 3/4" x 4 3/4" & 6" x 6"	150 lb.	15 lb./6.75 kg.	P4001444P
C4001310 (Heavy Duty)	3" x 6'	2	3 3/4" x 4 3/4" & 6" x 6"	300 lb.	24 lb./ 10.9 kg.	P4001444P
H480092	2 1/2" x 7'8"	3	3 3/4" x 4 3/4"	150 lb.	28 lb./ 12.7 kg.	640062P
H480092INS	2 1/2" x 7'8"	3	3 3/4" x 4 3/4"	150 lb.	31 lb./ 14.1 kg.	640062P



H480092



H480092INS

## Universal Extension Arms

- Fit composite or wood crossarms up to 3¾" x 4¾"
- Cushioned clamp and hanger loop to protect composite arms
- Grippers on clamp can be removed for wood crossarms
- Design allows removal of components for reconditioning pole
- Designed for use with rubber gloves or hot sticks



### 6-ft. Universal Extension Arm PSC4004101



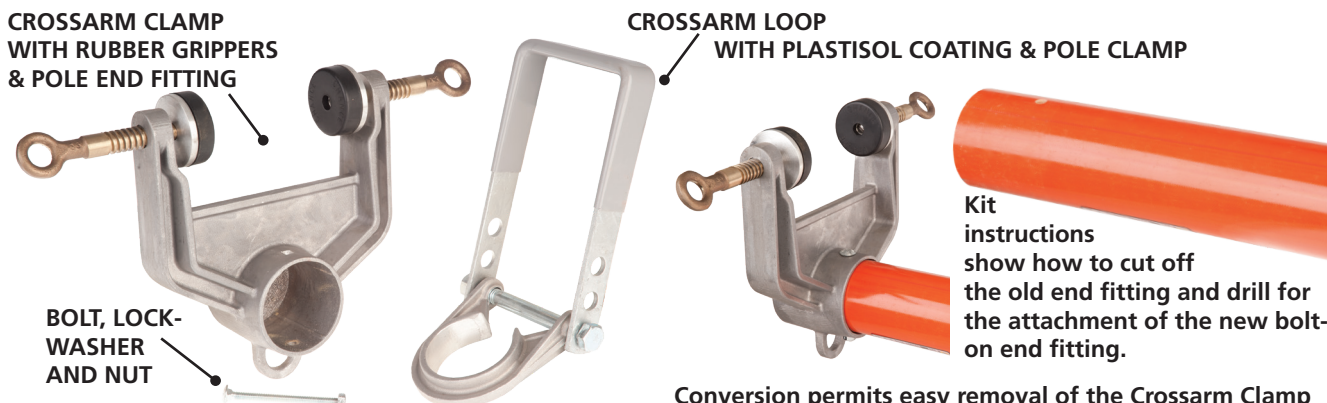
Catalog No.	Epoxiglas® Arm Dia & Length	Number of Wireholders	Fits Maximum Crossarm Size	Max. Vertical Loading per Wireholder
PSC4004101	2½" x 6'	2	3¾" x 4¾"	150 lb.
PSC4004102	2½" x 5'	1	3¾" x 4¾"	150 lb.

#### Electrical Ratings

GLOSSY, CLEAN AND DRY EPOXIGLAS®  
 15kV Phase to Phase  
 34kV Phase to Phase with M48057  
 Insulators are used on each wireholder

## Universal Extension Arm Retrofit Kit

- Allows conversion of wood-only Extension Arms to Universal Extension Arms



### Universal Extension Arm Retrofit Kit PSC4004103

# Temporary Conductor Support

## Crossarm Mounting Features & Applications

- Clamps to the crossarm, adjusting to crossarms from 3¼" x 4" to 6" x 6"
- C-clamp is made of heat-treated aluminum
- Can be installed with a Grip-All clampstick
- Maximum workload is 150 lbs.

Catalog No.	Description	Weight
C4000517	Conductor Support, Crossarm	3½ lb./1.6 kg.



C4000517

For 34.5 kV or when the tool is left overnight, an M48057 insulator should be installed.



M48057

## Pole Mounting Features & Applications

- Epoxiglas® temporary conductor support is used to hold energized distribution conductors
- For use during replacement of poles or repair/replacement of pole top and stand-off insulators
- Features wheel tightener for poles up to 14" in diameter
- M480517 fork-type, 1" wireholder is standard
- Working load: 150 lb. per wireholder
- Rated 100 lbs., Side Load, Max.



\*H4809W

(30" spacing, pole to wireholder)

Tested per OSHA & ASTM F711

Catalog No.	Description	Weight
*H4809W	Single Conductor Support	20 lb./ 9 kg.
C4001509	Two Conductor Supports	22 lb./10 kg.

\*200 lb. total load capacity for H4809W.



C4001509 (48" long Epoxiglas arm)

Tested per OSHA & ASTM F711

## Electrical Ratings

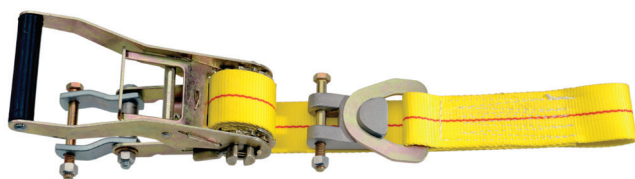
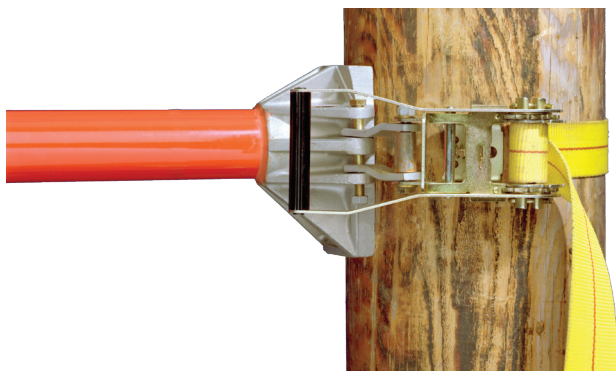
GLOSSY, CLEAN AND DRY EPOXIGLAS®  
15kV Phase to Phase  
34.5kV Phase to Phase with M48057  
Insulators are used on each wireholder



## Temporary Conductor Supports

### D-Buckle Strap On Ratchet Pole Binder

- Single- & Double-Wireholder Models



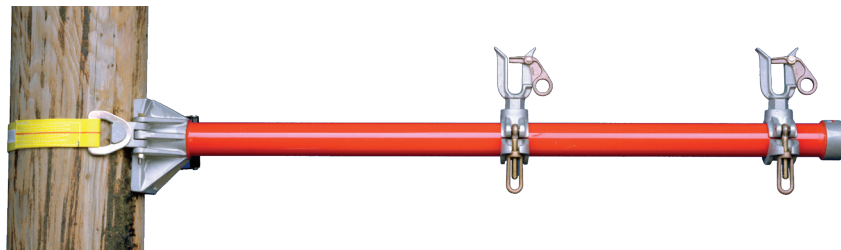
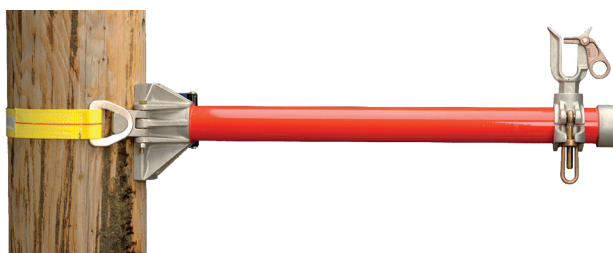
Strap Binder Kit T4002007

### Features & Applications

- New D-shaped buckle on the strap-free end adds speed and convenience
- Hanging a temporary conductor support involves just hooking buckle in clasp on bracket and cinching the strap with ratchet handle
- With strap-type ratchet-action mount rather than a chain binder, these supports are same as on page 2211
- Strap and ratchet assembly may be ordered alone for retrofit, below
- Polyester strap offers advantage of less stretch than nylon for this application
- With 10,000-lb. rated tensile strength, 2"-wide strap comes in 44" length to fit most structures
- Wide handle opening on rapid-action ratchet permits easy operation
- Works well even with rubber gloves and leather protectors
- Epoxiglas<sup>®</sup> temporary conductor support is used to hold energized distribution conductors
- For use during replacement of poles or repair/ replacement of pole top and stand-off insulators
- Fork-type wireholder accepts up to 1"-diameter conductor
- Working load: 150 lb. per wireholder on T4001939 only

### Electrical Ratings

GLOSSY, CLEAN AND DRY EPOXIGLAS<sup>®</sup>  
 15kV Phase to Phase  
 34.5kV Phase to Phase with M48057  
 Insulators are used on each wireholder



Strap Binder Kit  
complete with D-buckle and Ratchet Mechanism

Strap-Type Temporary Conductor Supports  
Epoxiglas<sup>®</sup> pole: 2½" diameter

Catalog No.	Description	Weight
T4002007	D-Buckle Strap Binder only	4½ lb./2 kg.

Catalog No.	Description	Weight
*T4001940	30" - One Conductor Support	14 lb./6.3 kg.
T4001939	48" - Two Conductor Supports	18 lb./8.1 kg.

\*200 lb. total load capacity for T4001940.

Tested per OSHA & ASTM F711





# Corner Restraint Bracket Tool

## Features & Applications

- For insulator changes on running corners
- Helps isolate pole and hoist during maintenance
- D-buckle on strap quickly mounts ratchet pole binder
- Adds efficiency to energized changeout of insulators on distribution running-corner poles
- Works with strap hoist to help control each phase conductor while insulators are changed
- Helps restrain conductor while repairs are made
- Also acts as load restraint for hoist to pull conductor back in for reconnection to insulator string
- Dual-pin/single-roller set-up lets you rig the bracket for mounting on either side of pole
- So strap always rides on the roller, place roller on appropriate push-button pin
- New D-shaped buckle on the strap-free end adds speed and convenience
- Hanging a temporary conductor support involves just hooking buckle in clasp on bracket and cinching the strap with ratchet handle
- **Bracket rigged on guy side of pole:** Used where the conductor is pulled in only a short distance toward the pole
- **Bracket rigged on conductor side of pole:** Used where the conductor must be pulled in a considerable distance toward the pole

**Maximum Load Rating:** 2,000 lb. (900 kg.)

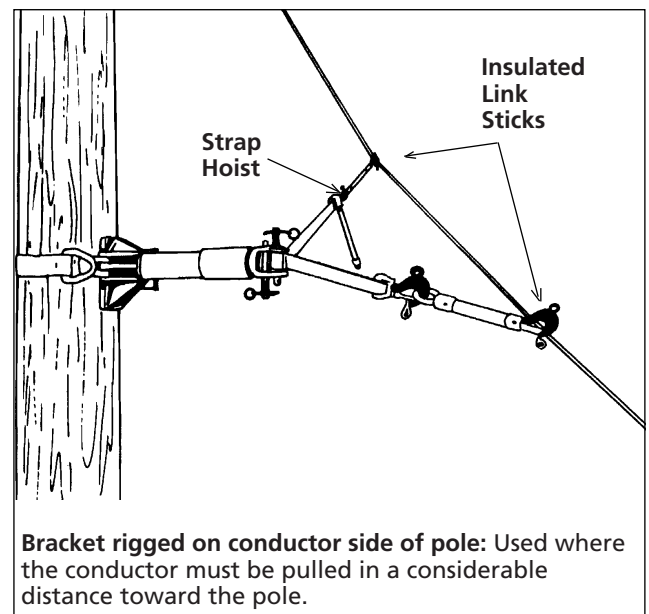
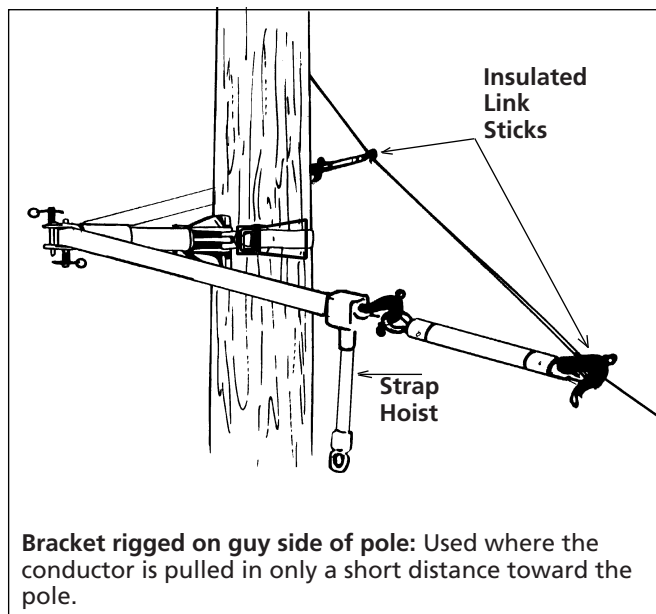
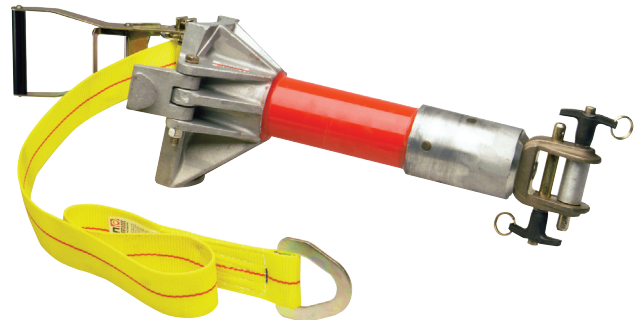
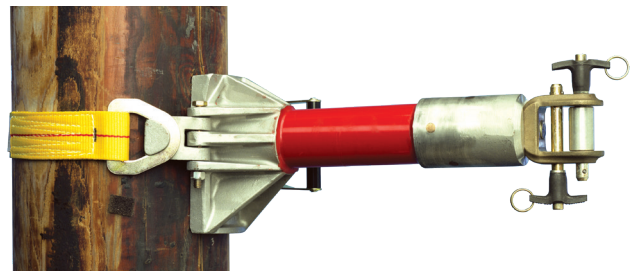
**Epoxiglas® member:** 2½" diameter, 6" clear length

## Ordering Information

Catalog No.	Description	Weight
T4002272	Corner Restraint Bracket	13¾ lb. / 6.2 kg.

## For Hot-line Procedures

- For maintenance by hotsticks or rubber-glove techniques, Corner Restraint Bracket assists in isolating strap hoist from pole, a potential ground
- Also avoids cutting a short section from a poleguard cover-up or using (and possibly damaging) a rubber blanket as a pad between strap and pole
- To insulate the strap hoist, a 12"-long link stick connects the hoist's hooks to hot-line grips on the conductor
- Poleguards and rubber cover-up are required to isolate the phase being worked from ground and other phase potentials



## Hot Stick Tension Puller 34.5 kV Ø-Ø and 69 kV Ø-Ø



Specifications:	34.5 kV	69 kV
Capacity	4,000 lb.	4,000 lb.
Working range	58-70 in.	66-76 in.
Maximum take-up	12 in.	12 in.
Insulation		
Maximum	43 in.	51 in.
Minimum	31 in.	39 in.
Length	60 in.	66 in.

### Features & Applications

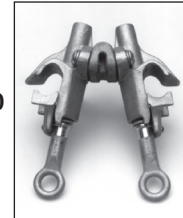
- Equipped with rings for handling and operation with the Chance Grip-All Clampstick or with rubber gloves
- Both models have a non-swiveling hook on each end for positive hotstick operation
- Spring-loaded gate rotates 135° left or right from closed position
- Large, ratchet wrench selector lever easily accommodates hotsticks

Catalog No.	Description	Weight
C4000574	34.5 kV, Safety Hook both ends	12 lb./ 5.4 kg.
C4000575	69 kV, Safety Hook both ends	12½ lb./ 5.6 kg.



Tension Puller Hook Adapter C4000573

- Hook Adapter is a field-replacement for adding catch and hotstick eye
- Adapter is interchangeable with hooks of both Tension Pullers above



Tie Back Clamp C4000600  
Conductor Range:  
#4 to 397.4 kcmil ACSR

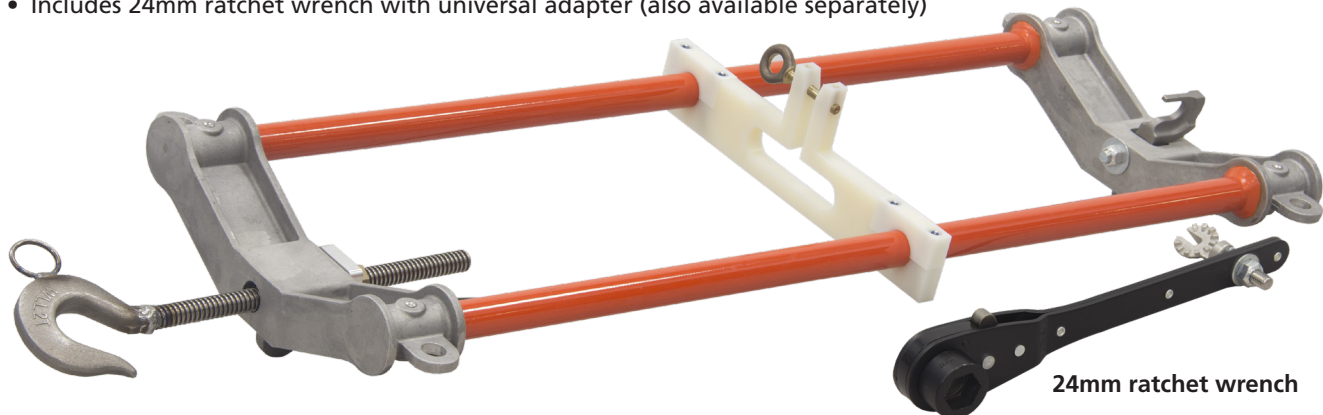
- Tie Back Clamp installs with a Grip-All clampstick
- Used with a Tension Puller to keep the tail of a conductor out of the work area by tying it back to the main line after it has been cut
- Clamp also may be used to hold a jumper on the main line while applying a compression connector

## Symmetrical Tension Puller

Tension puller tool for changing out insulator strings with bells up to 10" (25.4 cm) diameter.

### Features

- Takes up mechanical tension from the conductor to change the insulator string
- Made with CHANCE® Epoxiglas® poles manufactured and tested per ASTM F711 and IEC 60855
- Accommodates insulator string with hardware up to 30" (76 cm)
- Max load rating 4,000 lbs (1,779 daN)
- Removable/adjustable holding device included
- Includes 24mm ratchet wrench with universal adapter (also available separately)



24mm ratchet wrench

Catalog No.	Description	Weight
PSC4012730	Symmetrical Tension Puller w/ Ratchet Wrench	19.8 lb./9.0 kg.
PSC4012796	24mm Ratchet Wrench w/ Universal Adapter	2.4 lb./1 kg.



# Pole Protector

## NEW SURFACE GUARD for Concrete, Fiberglass, Steel Poles

### PROTECTIVE COVER FOR MOUNTING CHAIN-BINDER TOOLS:

- Simple installation for quick attachment of bases for ladders, platforms, conductor supports, auxilliary arms, pole tongs, etc.
- Tough material protects pole without reducing tool's load rating
- Not for mounting capstan hoists or any application that loads chain binder in an upward direction
- Not insulating cover up equipment



### Ordering Information

Catalog No.	Protector Size	Max. Pole Diameter
PSC4060624	7 in. x 4 ft.	up to 15"
PSC4060625	7 in. x 5 ft.	up to 19"
PSC4060626	7 in. x 6 ft.	up to 23"
PSC4060627	7 in. x 7 ft.	up to 27"







210 N. Allen St. • Centralia, MO 65240 • (573) 682-5521

NOTICE: For the latest revision of our Catalog and Literature, click here or visit our web site: [www.hubbellpowersystems.com](http://www.hubbellpowersystems.com)

NOTE: Hubbell has a policy of continuous product improvement. We reserve the right to change design and specifications without notice. ©Copyright 2020 Hubbell Incorporated

**NEVER COMPROMISE™**

[www.hubbellpowersystems.com](http://www.hubbellpowersystems.com)

