



Color:  Light Almond

UPC Code: 07847752602

Country Of Origin: China

NEMA:  
5-15R



## 688-T

### Brand Features

For an almost invisible installation behind wall-mounted TVs, entertainment centers, monitors and more, connect with Leviton Recessed Devices. The Recessed Entertainment Box (REB) centralizes AC power and low-voltage connection points for audio, video, data and phones. For smaller applications, choose a 2-Gang Recessed Duplex Receptacle (with openings for six installer-selected QuickPort connectors) or a 1-Gang Recessed Duplex Receptacle. Flush-mounted on the wall, the Leviton recessed boxes install invisibly behind wall units, wall-mounted flat panel TVs, and signature artwork. They are perfect for homes, apartments, co-ops, condominiums and offices.

### Item Description

1 GANG RECESSED SINGLE RECEPTACLE, 2-POLE, 3-WIRE, 15A-125V, NEMA 5-15R RESIDENTIAL GRADE. WITH CLOCK HANGER HOOK SUPPLIED. LIGHT ALMOND

### Technical Information

Product Features

**Grounding:** Grounding

**Feature:** Clock

**Amperage:** 15 A

**Voltage:** 125 VAC

**NEMA:** 5-15R

**Pole:** 2

**Wire:** 3

**Termination:** Side

**Face Material:** Thermoplastic

**Body Material:** Thermoplastic

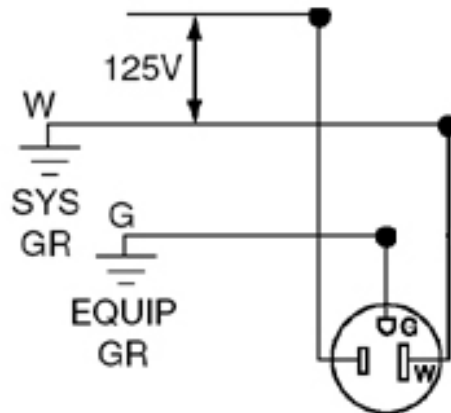
**Strap Material:** Steel

**Color:** Light Almond

**Standards and Certifications:** UL/CSA

**Warranty:** 2 Year Limited

### Wiring Diagram



5-15R

## SPECIFICATION SUBMITTAL

JOB NAME: <input type="text"/>	CATALOG NUMBERS: <input type="text"/>	
JOB NUMBER: <input type="text"/>	<input type="text"/>	<input type="text"/>

**Leviton Manufacturing Co., Inc.**

201 North Service Road, Melville, NY 11747

Teléfono: +1-800-323-8920 · FAX: +1-800-832-9538 · Tech Line (8:30AM-7:30PM E.S.T. Monday-Friday): +1-800-824-3005

**Leviton Manufacturing of Canada, Ltd.**

165 Hymus Boulevard, Pointe Claire, Quebec H9R 1E9 · Telephone: +1-800-469-7890 ·

FAX: +1-800-824-3005 · [www.leviton.com/canada](http://www.leviton.com/canada)

**Leviton S. de R.L. de C.V.**

Lago Tana 43, Mexico DF, Mexico CP 11290 · Tel.: (+52)55-5082-1040 · FAX: (+52)5386-1797 · [www.leviton.com.mx](http://www.leviton.com.mx)

**Visit our Website at: [www.leviton.com](http://www.leviton.com)**

© 2018 Leviton Manufacturing Co., Inc. Todos los derechos reservados. Subject to change without notice.

**Leviton has a global presence.**

If you would like to know where your local Leviton office is located please go to:

[www.leviton.com/international/contacts/](http://www.leviton.com/international/contacts/)

