

# PowerPacT™ P-Frame Drawout Circuit Breakers

## Class 612

## Instruction Bulletin

48049-336-02

06/2023

Retain for future use.

ENGLISH

## Safety Information

Read these instructions carefully and look at the equipment to become familiar with the device before trying to install, operate, service, or maintain it. The following special messages may appear throughout this bulletin or on the equipment to warn of hazards or to call attention to information that clarifies or simplifies a procedure.



The addition of either symbol to a “Danger” or “Warning” safety label indicates that an electrical hazard exists which will result in personal injury if the instructions are not followed.



This is the safety alert symbol. It is used to alert you to personal injury hazards. Obey all safety messages that follow this symbol to avoid possible injury or death.

### **DANGER**

**DANGER** indicates a hazardous situation which, if not avoided, **will result in** death or serious injury.

### **WARNING**

**WARNING** indicates a hazardous situation which, if not avoided, **could result in** death or serious injury.

### **CAUTION**

**CAUTION** indicates a hazardous situation which, if not avoided, **could result in** minor or moderate injury.


### **NOTICE**

**NOTICE** is used to address practices not related to physical injury. The safety alert symbol is not used with this signal word.

## Please Note

Electrical equipment should be installed, operated, serviced, and maintained only by qualified personnel. No responsibility is assumed by Schneider Electric for any consequences arising out of the use of this material.

A qualified person is one who has skills and knowledge related to the construction, installation, and operation of electrical equipment and has received safety training to recognize and avoid the hazards involved.

 **WARNING:** This product can expose you to chemicals including DINP, which is known to the State of California to cause cancer, and DIDP which is known to the State of California to cause birth defects or other reproductive harm. For more information go to: [www.P65Warnings.ca.gov](http://www.P65Warnings.ca.gov).

## Introduction

The P-frame drawout circuit breaker is designed to mount in a drawout cradle, using rear-mounted, plug-on pressure connections to provide electrical connection to the cradle.

Tripping functions are controlled by the MicroLogic™ trip unit. For additional information see the following user guides available on the Schneider Electric™ website:

- Catalog 0612CT0101: *PowerPacT™ M, P, and R-frame Circuit Breaker*
- Instruction bulletin 0613IB1313: *MasterPacT NT/NW and PowerPacT P- and R-Frame Modbus User Guide*
- Instruction bulletin 0612IB1201: *PowerPacT Circuit Breakers Dimensional Drawings*
- Instruction bulletin 48049-136-05: *MicroLogic 2.0A, 3.0A, 5.0A, and 6.0A Electronic Trip Units*
- Instruction bulletin 48049-330-03: *MicroLogic 5.0H and 6.0H Electronic Trip Units*
- Instruction bulletin 48049-137-05: *MicroLogic 5.0P and 6.0P Electronic Trip Unit*
- Instruction bulletin 48049-207-05: *MicroLogic 2.0, 3.0 and 5.0 Electronic Trip Units*

To access the website go to:

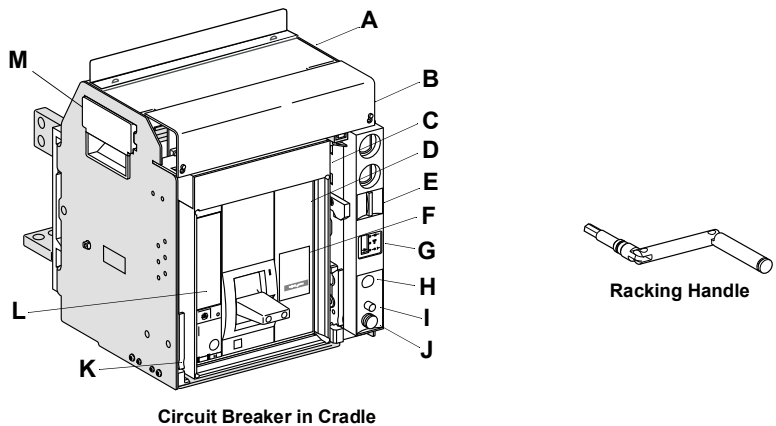
[www.se.com](http://www.se.com)

For application assistance, please call 1-888-778-2733.

## Configuration

- A. Cradle
- B. Terminal Cover
- C. Circuit Breaker
- D. Accessory Cover
- E. Padlock Provision
- F. Faceplate
- G. Position Indicator
- H. Racking Handle Insertion Opening
- I. Stop Release Button
- J. Racking Handle Storage Space
- K. Extension Rail Handle
- L. Trip Unit
- M. Lifting Tabs

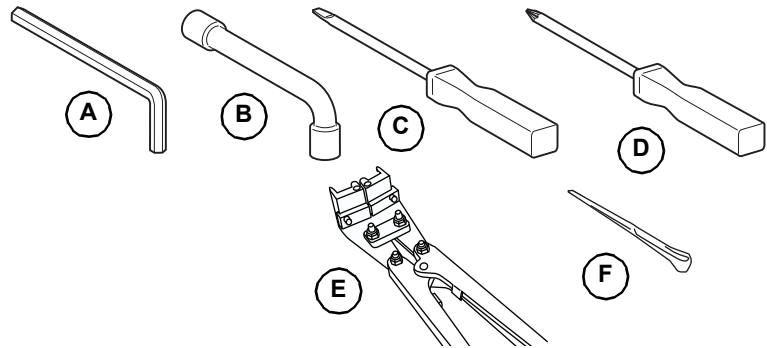
Figure 1: Circuit Breaker and Cradle



## Tools Required

- A. Hex Key, 6 mm
- B. Angled Socket Wrench, 3/8 in. (9.5 mm)
- C. Straight Blade Screwdriver (#2 or #3 Pozidriv®/Slotted)
- D. Torx® 20 Screwdriver
- E. Cluster Positioning Tool, Cat. No. S47542
- F. Wago Wire Insert Tool, Wago Part No. 209-129

Figure 1: Tools

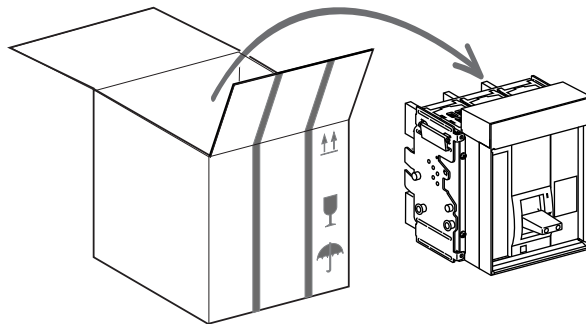


## Unpacking

### Unpacking Circuit Breaker

Remove circuit breaker from box.

Figure 2: Unpack Circuit Breaker

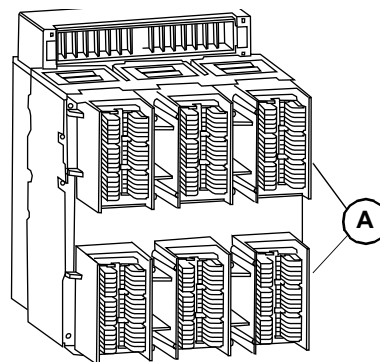


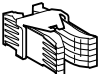
## Cluster Inspection, Replacement and Lubrication

### Inspect Clusters

1. Inspect clusters (A) on back of circuit breaker. Make sure clusters are installed properly as shown in Figure 3.
2. Visually inspect clusters for signs of damage such as:
  - Discolored areas
  - Visible copper on fingers
  - Cracked or broken springs

Figure 3: Clusters



	Clusters per Pole
	6
NT08	6
NT10	6
NT12	6

## NOTICE

### HAZARD OF EQUIPMENT DAMAGE

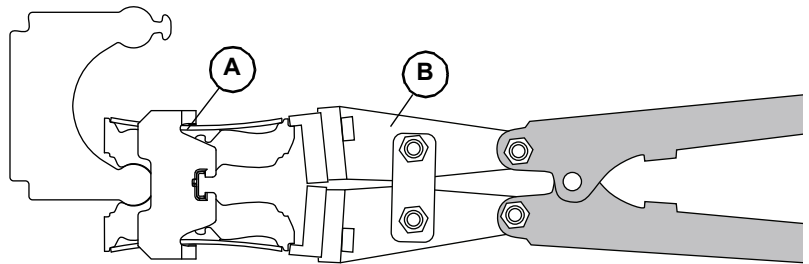
- If clusters are removed for any reason, clusters must be installed using cluster positioning tool S47542.
- Lubricate clusters as shown in “Cluster Grease Application” on page 5.
- Do not install anything in the cluster jaw except 3/8 in. (9.5 mm) wide bus bar.

**Failure to follow these instructions can result in equipment damage.**

### Replace Clusters

1. Remove worn or damaged cluster.
2. Install new cluster (A) using cluster positioning tool S47542 (B).

Figure 4: Cluster Replacement



### Cluster Lubrication

Use grease S48899 kit to lubricate cluster jaws as shown in Figure 5.

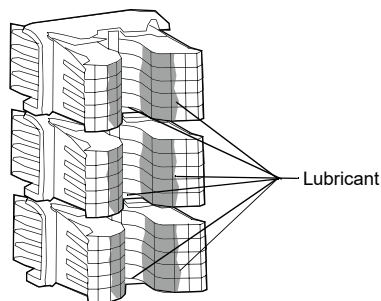
## NOTICE

### HAZARD OF EQUIPMENT DAMAGE

Inspect the cluster for lubrication when the circuit breaker is removed from the cradle.

**Failure to follow these instructions can result in equipment damage.**

Figure 5: Cluster Grease Application



### Cradle Stab Lubrication

The cradle stabs must be inspected and lubricated when the cradle is first installed and again during maintenance periods after all power has been disconnected.

Confirm that both sides of stab are coated with lubricant. If necessary, use grease kit (catalog number S48899) to lubricate stab.

### Unpacking Cradle

Remove the four bolts, nuts and washers (A) securing cradle to pallet.

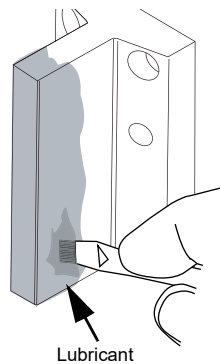
**⚡ ⚠ DANGER**

**HAZARD OF ELECTRIC SHOCK, EXPLOSION OR ARC FLASH**

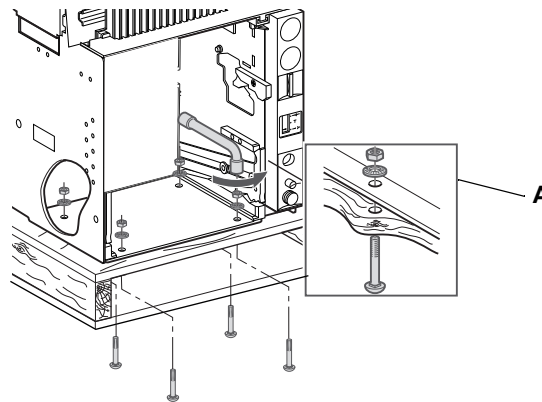
- Apply appropriate personal protective equipment (PPE) and follow safe electrical work practices. See NFPA 70E, CSA Z462, or NOM-029-STPS.
- This equipment must only be installed and serviced by qualified electrical personnel.
- Turn off all power supplying this equipment before working on or inside equipment.
- Always use a properly rated voltage sensing device to confirm power is off.
- Replace all devices, doors and covers before turning on power to this equipment.

**Failure to follow these instructions will result in death or serious injury.**

**Figure 6: Cradle Stab Grease Application**



**Figure 7: Remove Cradle Bolts**



## Lifting and Transporting

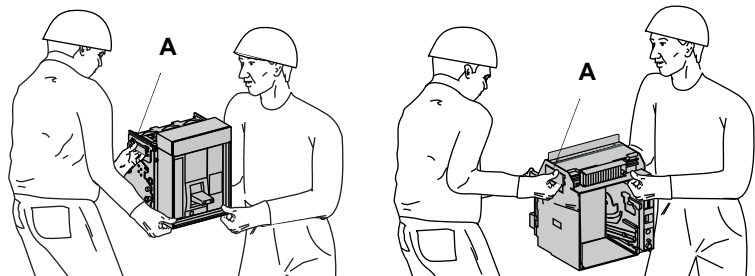
<b>⚠ CAUTION</b>
<p><b>HAZARD OF DEVICE FALLING</b></p> <ul style="list-style-type: none"> <li>• Always have two persons lift device.</li> <li>• Wear hard hat, safety shoes and heavy gloves.</li> </ul> <p><b>Failure to follow these instructions can result in injury or equipment damage.</b></p>

**Table 1: Weights**

Connector Type	Weights (lbs./kg)									
	Circuit Breaker		Cradle		Connector		Pallet	Total		
	3P	4P	3P	4P	3	4P		3P	4P	
FCF	40 / 18	52 / 24	36 / 16	43 / 20	15 / 7	20 / 9	10 / 5	101 / 46	125 / 57	
RCTH / RCTV	40 / 18	52 / 24	36 / 16	43 / 20	6 / 3	8 / 4	10 / 5	92 / 42	113 / 51	

Lifting requires two people, one on each side.  
Lift circuit breaker and cradle using lifting tabs (A) on sides of device.

**Figure 8: Lifting Circuit Breaker or Cradle**



## Installation

Equipment is normally shipped with cradles installed and circuit breakers shipped separately.

For equipment without cradles, install cradles as described below.

For equipment with cradles, see page 15 for circuit breaker installation.

### Cradle Installation

**NOTE:** Do not place tools or other materials on top of cradle.

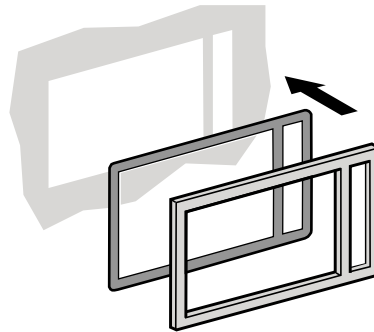
1. Install cradle accessories not purchased as factory installed at this time.

<b>⚠ ⚠ DANGER</b>
<p><b>HAZARD OF ELECTRIC SHOCK, EXPLOSION OR ARC FLASH</b></p> <ul style="list-style-type: none"> <li>• Apply appropriate personal protective equipment (PPE) and follow safe electrical work practices. See NFPA 70E, CSA Z462, or NOM-029-STPS.</li> <li>• This equipment must only be installed and serviced by qualified electrical personnel.</li> <li>• Turn off all power supplying this equipment before working on or inside equipment.</li> <li>• Always use a properly rated voltage sensing device to confirm power is off.</li> <li>• Replace all devices, doors and covers before turning on power to this equipment.</li> </ul> <p><b>Failure to follow these instructions will result in death or serious injury.</b></p>

<b>⚠ ⚠ DANGER</b>
<p><b>HAZARD OF ELECTRIC SHOCK, EXPLOSION OR ARC FLASH</b></p> <p>Do not place tools or other materials on top of cradle.</p> <p><b>Failure to follow these instructions will result in death or serious injury.</b></p>

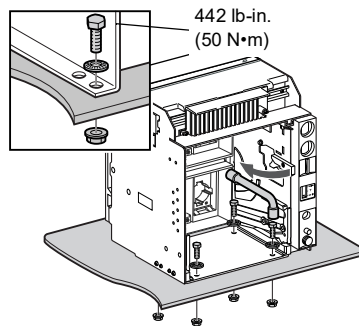
2. If equipment has a door cutout, install escutcheon shipped with cradle.
  - a. If not already present, cut opening in equipment door for escutcheon. See Dimensions on page 26 for opening dimensions.
  - b. Install escutcheon.

**Figure 9: Install Door Escutcheon**



3. Secure cradle.
  - a. Turn off all power supplying the equipment before working on or inside equipment.
  - b. If mounting holes are not already present, drill mounting holes in pan for mounting cradle. See Dimensions on page 26 for cradle mounting hole pattern dimensions.
  - c. Check flatness of the mounting surface. Surface must be flat to within 0.08 in. (2 mm).
  - d. Mount cradle to pan, using 3/8 in. bolts, washers and nuts.

**Figure 10: Secure Cradle**



**⚠️ ⚠️ DANGER**

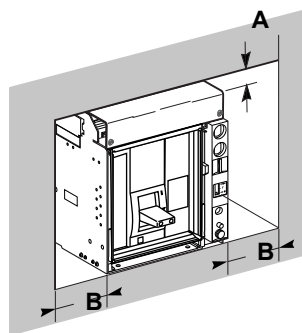
**HAZARD OF ELECTRIC SHOCK, EXPLOSION OR ARC FLASH**

Clearance requirements must be met for proper operation of the equipment.

**Failure to follow this instruction will result in**

4. Check clearances.

**Table 2: Clearance Requirements**



Minimum Clearance	A		B	
	in.	mm	in.	mm
Insulated Parts	1.3	33	0.4	10
Metal Parts	1.3	33	0.4	10

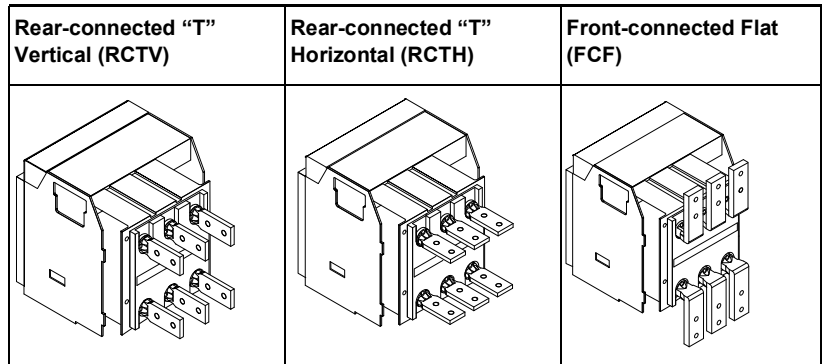


5. Install connectors.

Standard connectors are shown in Table 3. For information on non-standard connectors, contact the field office.

For connector dimensions, see Dimensions, page 26.

**Table 3: Standard Connectors**



6. Install bussing.

Bussing requirements by circuit breaker and connector are shown in Table 4.

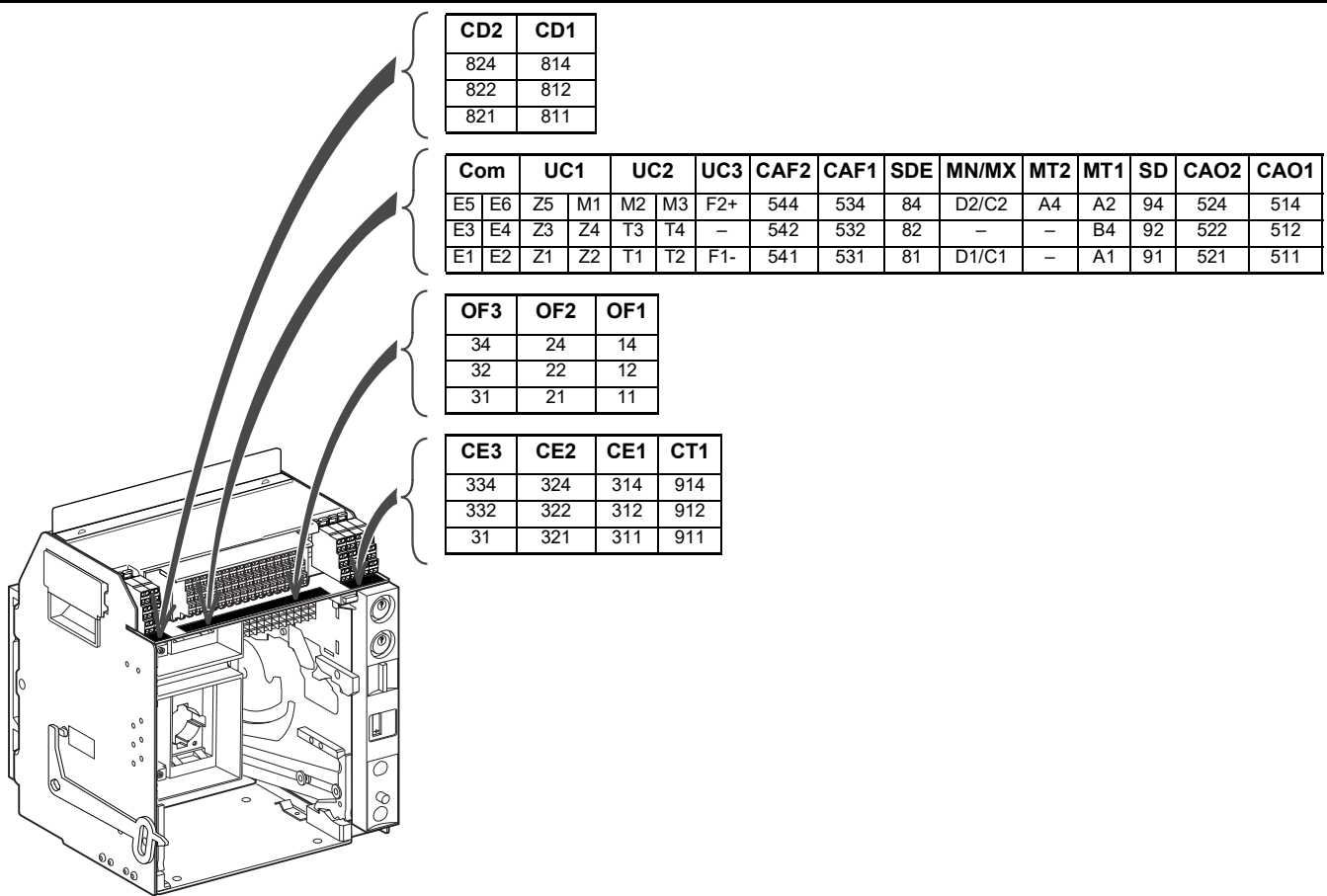
**NOTE:** Installer is responsible for bussing to connectors. Bussing must be supported by framework of the switchgear, with no weight on connectors. Bus supports must be braced to prevent short circuit forces from deflecting the connectors.

**Table 4: Bus Size Required**

Circuit Breaker Rating	Connector Type	Bus Per Connector	
		Number	Size
800 A	RCTV	1	0.25 x 3 in. (6 x 76 mm)
	RCTH	2	0.25 x 1.5 in. (6 x 38 mm)
	FCF	3	0.25 x 1.5 in. (6 x 38 mm)
1200 A	RCTV	1	0.25 x 3 in. (6 x 76 mm)
	RCTH	3	0.25 x 1.5 in. (6 x 38 mm)
	FCF	4	0.25 x 1.5 in. (6 x 38 mm)

7. Install accessory connections.

**Table 5: Terminal Layout for Push-in Connector Installation**



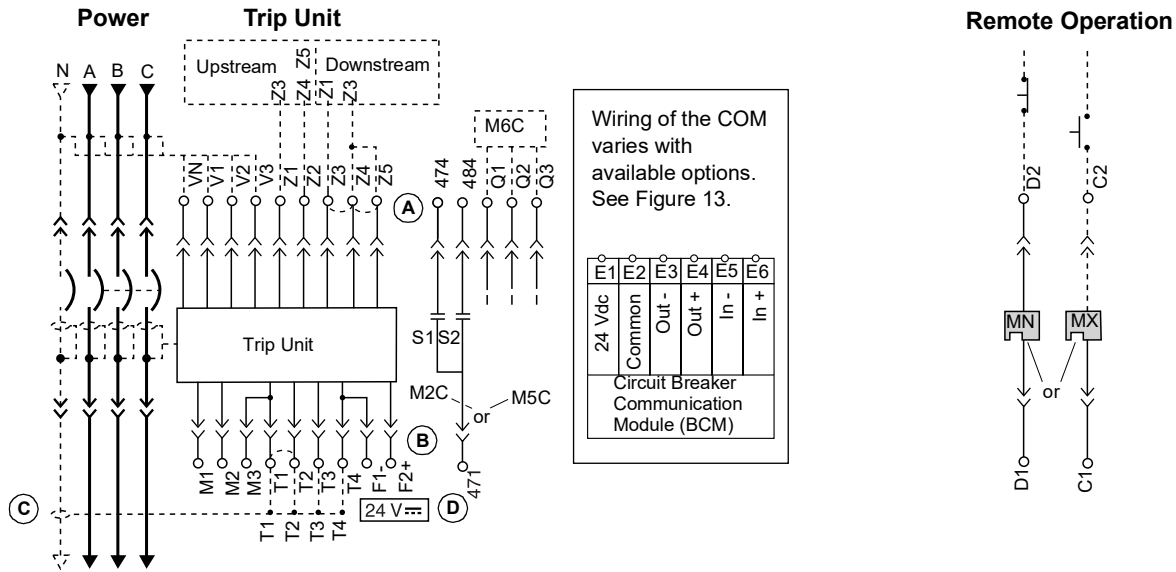
Function	Connector	Description
Auxiliary Contacts	OF	Open / Closed circuit breaker or switch position contacts
Rotary Handle Contacts	CAO	Early break contact
	CAF	Early make contact
Cradle Contacts	CD	Disconnected position contacts
	CE	Connected position contacts
	CT	Test position contacts
Remote Operation	SDE	Electrical fault alarm contact
	SD	Alarm contact
	MN	Undervoltage trip device
	MX*	Shunt trip

\* When networked MXF coils are used, terminal C3 must be connected to line even if the communication module is not installed.

Trip Unit Type				Connector	Description
Basic	A	P	H		
-	•	•	•	Com: E1-E6	Communication
-	•	•	•	UC1: Z	Zone-selective Interlocking
					Z1 = ZSI OUT signal
					Z2 = ZSI OUT
					Z3 = ZSI IN signal
					Z4 = ZSI IN short time
					Z5 = ZSI IN ground fault
-	•	•	•	UC1: M1	Modified differential ground fault (MDGF)
-	•	•	•	UC2: T	External neutral
-	•	•	•	UC2: M	Modified differential ground fault (MDGF)
-	•	•	•	UC3: F	24 Vdc external power supply (F1 -, F2 +)
-	-	•	•	UC3: Vn	External neutral plug

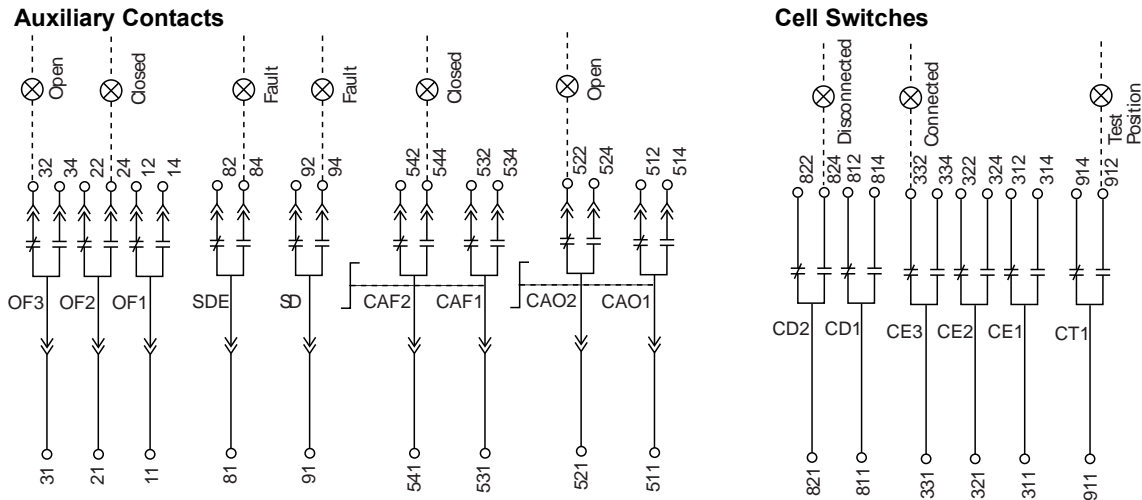
**NOTE:** All diagrams are showing circuit breaker open, connected and charged.

**Figure 11: Wiring Diagrams for Auxiliary Connections**



- A—Do not remove factory-installed jumpers between Z3, Z4 and Z5 unless ZSI is connected.
- B—Do not remove factory-installed jumper between T1 and T2 unless neutral CT is connected. Do not install jumper between T3 and T4.
- C—For proper wiring of neutral CT, refer to wiring schematics, page 14.
- D—24 Vdc power supply for trip unit must be separate and isolated from 24 Vdc power supply for communication modules.

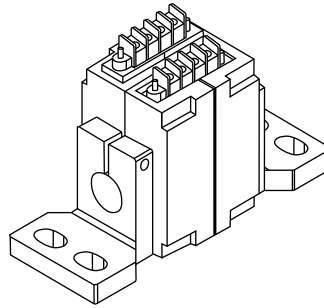
**Figure 12: Wiring Diagrams for Auxiliary Connections**





8. If circuit breaker has integral ground-fault tripping or alarm, a three-phase, four-wire circuit requires an external neutral current transformer (CT). Connect neutral CT to circuit breaker according to wiring diagrams in Figure 15.
  - a. Connect the primary:
    - If load is connected to lower end of circuit breaker, connect load neutral to H1 terminal of neutral CT.
    - If supply power is connected to lower end of circuit breaker, connect supply neutral to H1 terminal of neutral CT.

Figure 14: Neutral Current Transformers



**NOTE:** The equipment grounding connection must be upstream (line side) of the neutral CT and a neutral connection must exist from the supply transformer to the equipment.

- b. For circuit breakers using MicroLogic 5.0P, 6.0P, 5.0H or 6.0H trip units, connect terminal Vn on the neutral current transformer to the Vn terminal of the control wiring terminal. (This is necessary to allow the trip unit to make voltage measurements.) Terminals Vc and Vn are internally connected.
  9. Remove factory-installed jumper connecting T1 and T2.
  10. Feed Belden® cable and plastic conduit from the neutral CT to the cradle terminals.
  11. Connect the cable per the appropriate schematic in Figure 15.
  12. Verify all wiring.
- NOTE:** Modified differential ground-fault circuitry and ground-source return ground-fault circuitry require the use of a modified differential ground-fault module (MDGF) and special current transformers. For wiring of those systems, see the instructions with the MDGF.

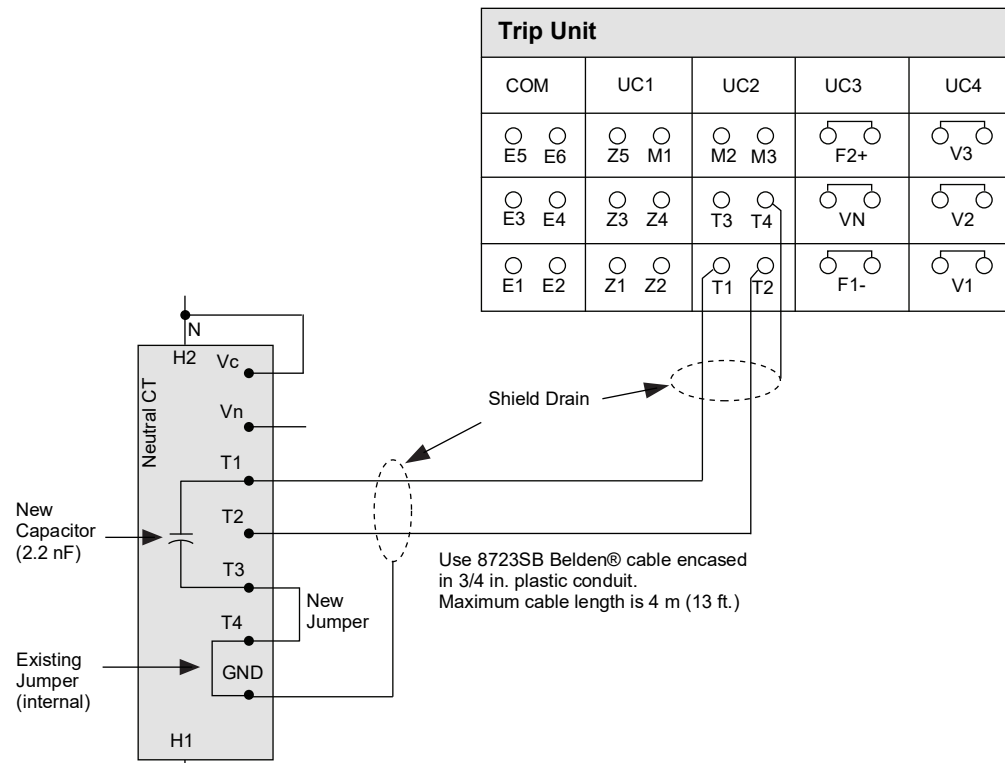
## NOTICE

### HAZARD OF IMPROPER TRIP SYSTEM OPERATION

F1 and F2 must be isolated from ground. Verify all wiring per the instructions in this bulletin.

**Failure to follow these instructions can result in a nuisance trip during closing.**

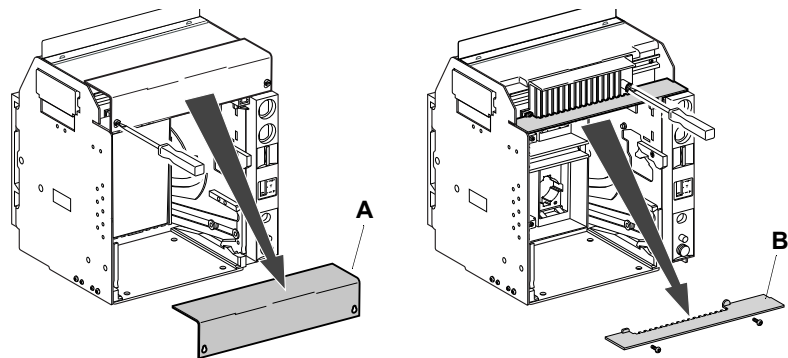
Figure 15: Wiring Schematic for NT Circuit Breakers



13. Install accessory wiring.

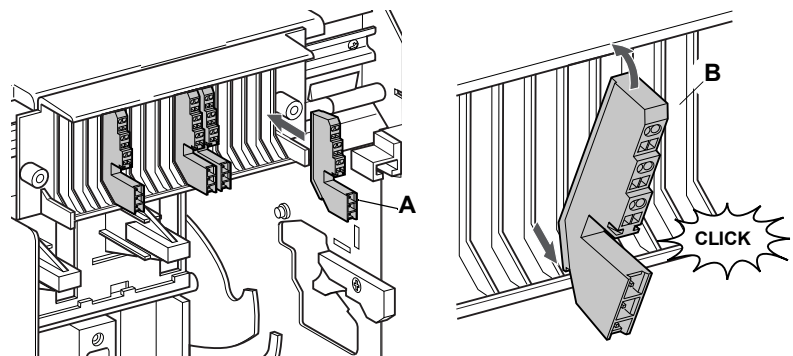
- a. Remove optional terminal cover (A), if installed, and wiring cover (B).

Figure 16: Remove Covers



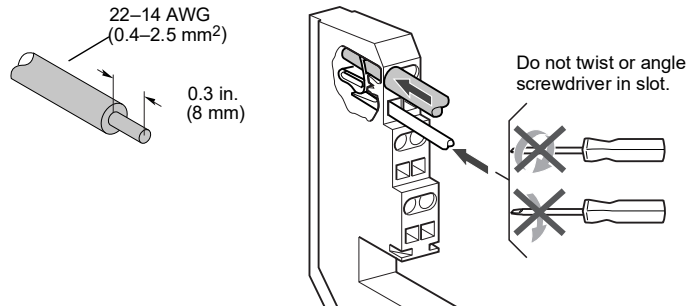
- b. Install accessory connector in correct slot (A). (Refer to label on cradle for standard positioning information.) Rotate accessory connector up (B) to snap in place.

Figure 17: Install Accessory Connector



c. Install control wires.

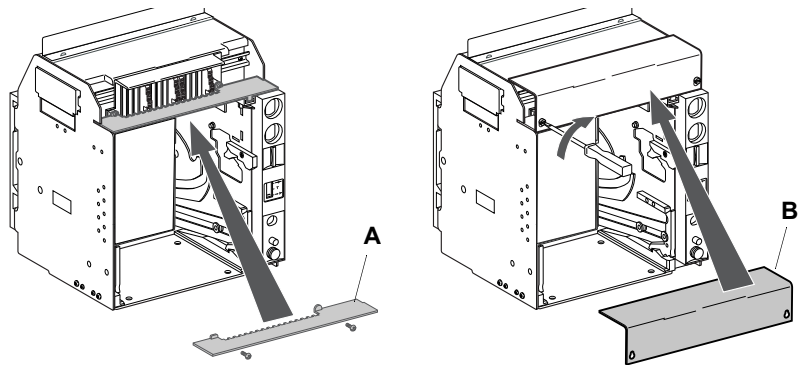
**Figure 18: Install Control Wires**



- d. Replace wiring cover (A).
- e. Replace optional terminal cover (B), if installed.

**NOTE:** Remove accessory connector in reverse order of installation. Use screwdriver to release tab.

**Figure 19: Replace Wiring Cover**



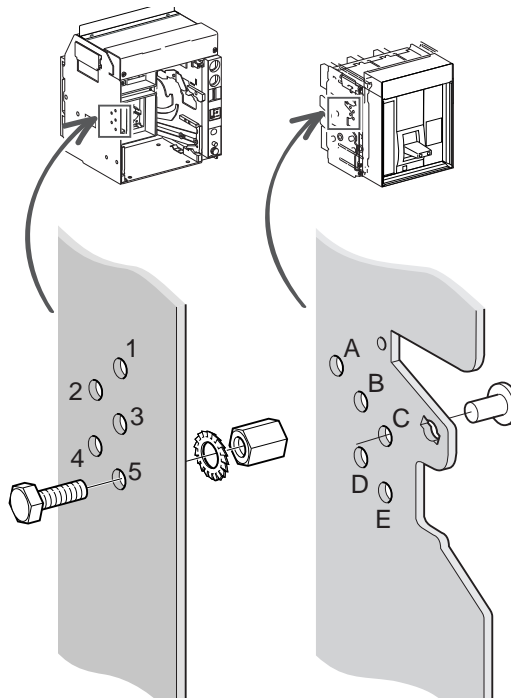
**Circuit Breaker Installation**

1. To prevent a circuit breaker with an inappropriate ampacity or interrupting rating from being installed in the cradle, install rejection pins on cradle and circuit breaker prior to installing circuit breaker.
  - a. Determine rejection pin pattern required.

**Possible Pin Combinations**

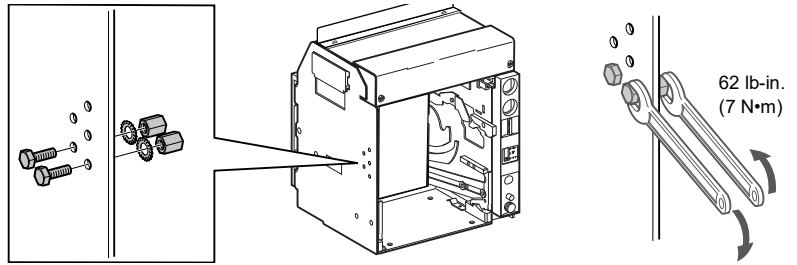
Circuit Breaker	Cradle	Circuit Breaker	Cradle
A, B, C	4, 5	B, C, D	1, 5
A, B, D	3, 5	B, C, E	1, 4
A, B, E	3, 4	B, C	1, 4, 5
A, B	3, 4, 5	B, D, E	1, 3
A, C, D	2, 5	B, D	1, 3, 5
A, C, E	2, 4	B, E	1, 3, 4
A, C	2, 4, 5	C, D, E	1, 2
A, D, E	2, 3	C, D	1, 2, 5
A, D	2, 3, 5	C, E	1, 2, 4
A, E	2, 3, 4	D, E	1, 2, 3

**Figure 20: Cradle Rejection Feature**



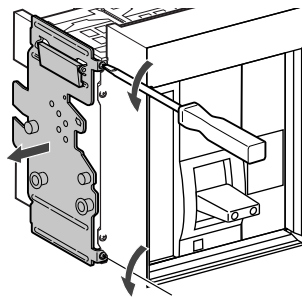
- b. Install cradle rejection pins in pattern determined above.

**Figure 21: Install Cradle Rejection Pins**



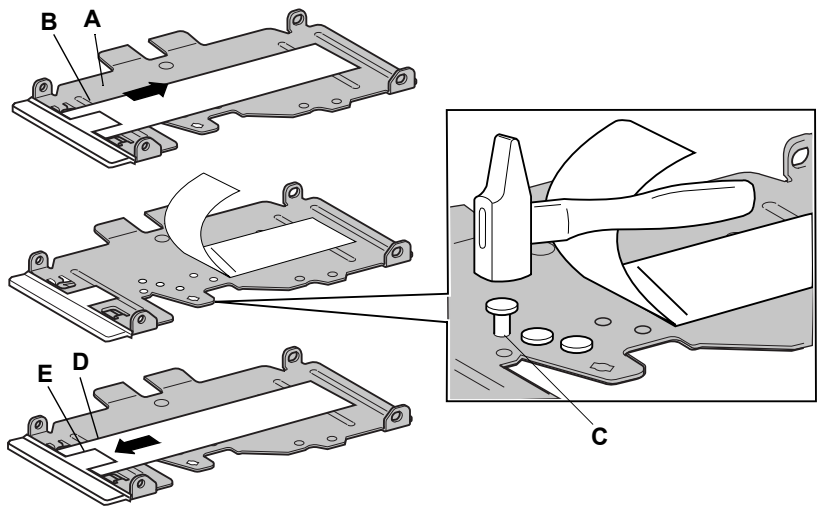
- c. Remove side plate from circuit breaker.

**Figure 22: Remove Circuit Breaker Side Plate**



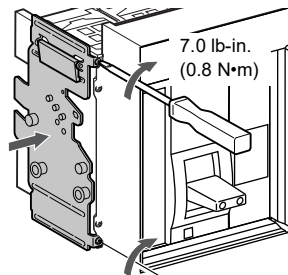
- d. Pull insulating paper (A) back from under retaining tab (B).
- e. Install circuit breaker rejection pins (C) into rejection pin plate in pattern determined above.
- f. Replace insulating paper (D) under retaining tab (E).

**Figure 23: Install Circuit Breaker Rejection Pins**



- g. Replace side plate on circuit breaker.

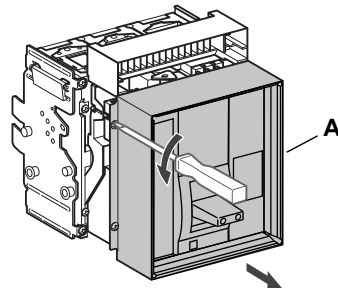
**Figure 24: Install Rejection Pin Plate**





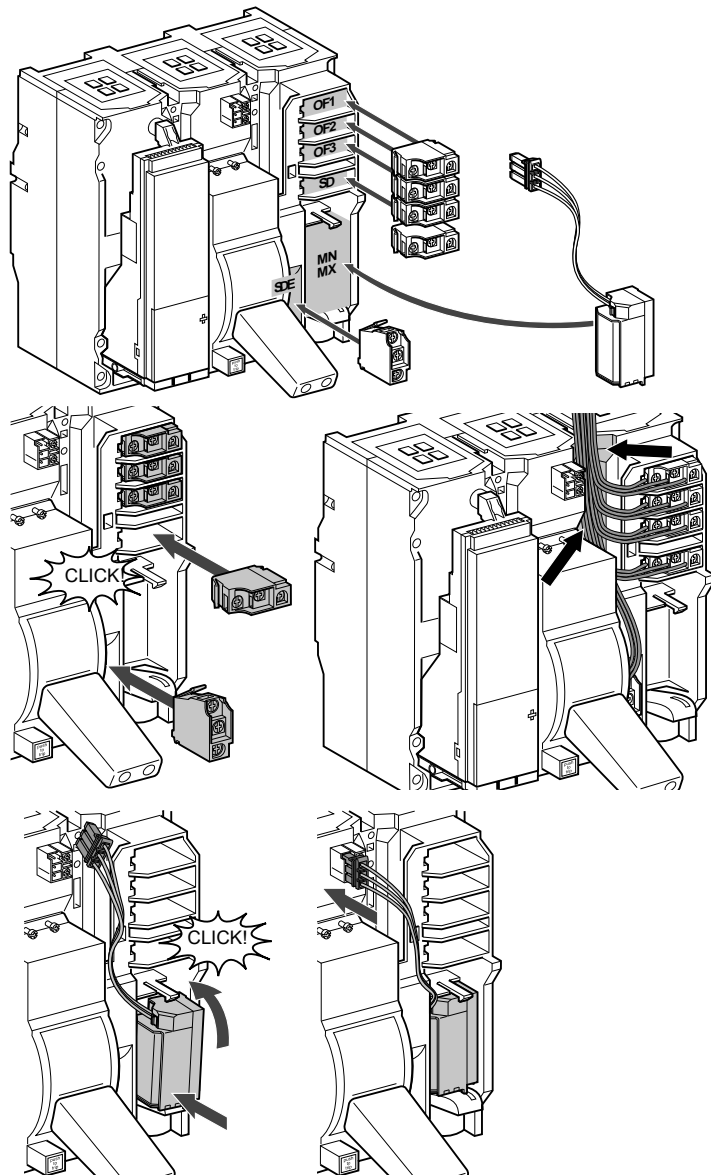
2. Install circuit breaker accessories not purchased as factory installed at this time.
  - a. If installing electrical accessories, loosen accessory cover screws and remove accessory cover (A).

**Figure 25: Install Accessories**



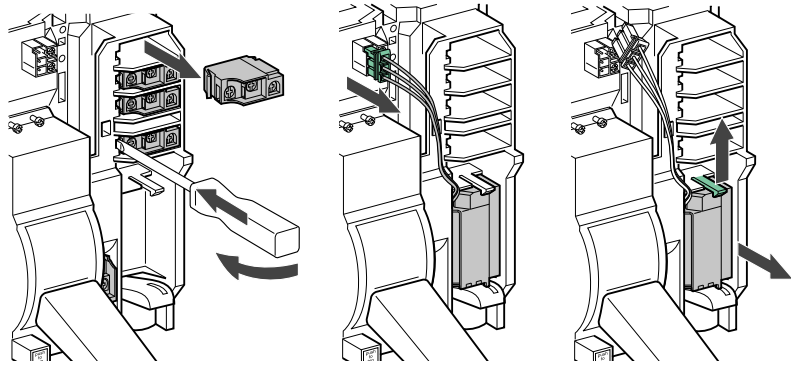
- b. Install accessory as instructed in the instructions packed with each accessory.

**Figure 26: Install Accessories**



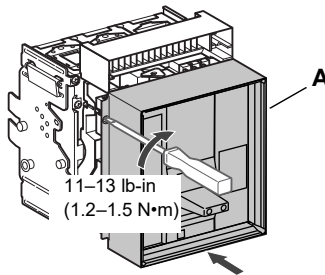
**NOTE:** Remove accessories in reverse order of installation.

**Figure 27: Remove Accessories**



c. Replace accessory cover (A).

**Figure 28: Replace Accessory Cover**



## NOTICE

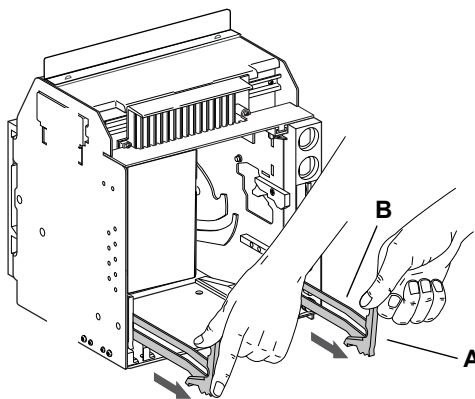
### HAZARD OF EQUIPMENT DAMAGE

Cradle must be secured when installing or removing circuit breaker.

**Failure to follow these instructions can result in equipment damage.**

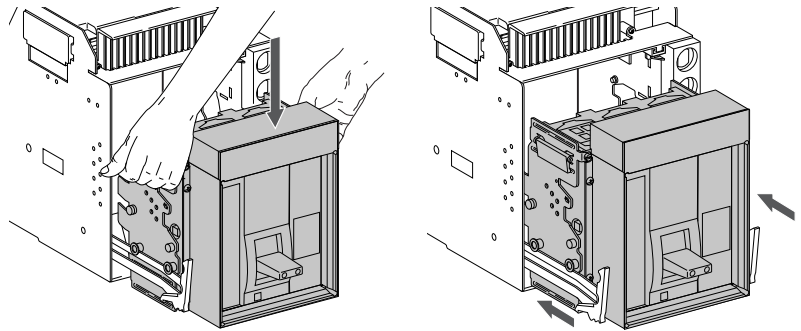
3. Pull out extension rail handles (A) until extension rails (B) are fully extended.

**Figure 29: Pull Out Rails**



4. Install circuit breaker on extension rails. See page 7 for proper lifting procedure.  
**NOTE:** Cradle must be secured on a pallet if it is not installed in the equipment prior to installing circuit breaker.
5. Inspect circuit breaker clusters for missing or misaligned clusters. See page 4 for information of checking, installing, and lubricating clusters.
6. Push in circuit breaker, then push in rails.
7. Connect circuit breaker. See page 22, Circuit Breaker Connection for instructions on connecting circuit breaker.  
See page 21 for instructions on operating circuit breaker.

**Figure 30: Install Circuit Breaker**



Paragraph 230-95(c) of the National Electrical Code requires that all equipment ground-fault protection systems be tested when first installed.

8. If the circuit breaker has equipment ground-fault protection installed, test it at this time.  
Make sure the trip unit is powered. The trip unit is powered if:

- Circuit breaker is closed or bottom fed and has more than 100 V of load voltage on two phases (P or H trip unit only).
- An available test kit(s) found in Section 7 of The Digest (Reference 0100CT1901) is connected and turned on.



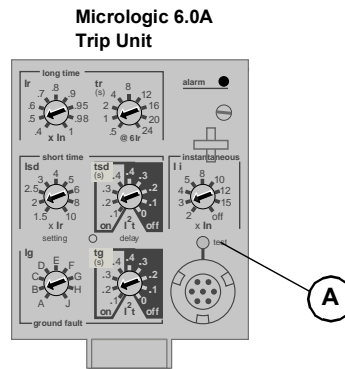
- 24 Vdc external power supply is connected.
- An external voltage tap is installed and voltage of more than 100 V is present on two phases (P or H trip unit only).

If this is a radial (single-ended) system, press ground-fault push-to-test button (A). Circuit breaker will trip and trip unit ground-fault indicator light will come on.

Record results in Table 6.

**NOTE:** If a complete check of the ground-fault system is necessary, use primary injection testing. If the system has multiple sources and/or requires field connections at the job site, use primary injection testing.

**Figure 31: Test Ground-Fault Push-to-Test**



**Table 6: Ground-Fault Test Results**

Date	Ground-fault Settings	Test Results	Signature

## Trip Unit

Protective functions, measurement functions and communications are controlled by the MicroLogic trip unit (A) installed in the circuit breaker. The trip unit is field replaceable for easy upgrading of functionality.

For complete information on the trip unit, its functions and field replacement, see the trip unit manual shipped with the circuit breaker.

**Figure 32: MicroLogic Trip Unit**

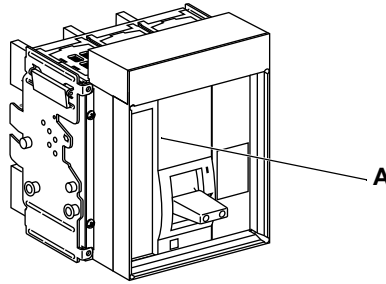


Table 7 describes the features available on the MicroLogic 3.0 and 5.0 standard trip units, the 3.0 A, 5.0 A and 6.0 A trip units with ammeters, the 5.0 P and 6.0 P power measurement trip units and the 5.0 H and 6.0 H harmonic measurement trip units.

For complete information on which trip units are available and their capabilities, refer to the Class 613 catalog.

**Table 7: MicroLogic Trip Unit Features**

Feature	MicroLogic Trip Unit								
	X = Standard Feature O= Available Option								
	Standard		Ammeter			Power		Harmonics	
	3.0	5.0	3.0 A	5.0 A	6.0 A	5.0 P	6.0 P	5.0 H	6.0 H
LI	X		X						
LSI		X		X		X		X	
LSIG/Ground-fault trip <sup>2</sup>					X		X		X
Ground-fault alarm/no trip <sup>1,2</sup>						X		X	
Ground-fault alarm and trip <sup>1,2</sup>							X		X
Adjustable rating plugs	X	X	X	X	X	X	X	X	X
True RMS sensing	X	X	X	X	X	X	X	X	X
UL Listed	X	X	X	X	X	X	X	X	X
Thermal imaging	X	X	X	X	X	X	X	X	X
Phase-loading bar graph			X	X	X	X	X	X	X
LED for long-time pick-up	X	X	X	X	X	X	X	X	X
LED for trip indication			X	X	X	X	X	X	X
Digital ammeter			X	X	X	X	X	X	X
Zone-selective interlocking				X	X	X	X	X	X
Communications			O	O	O	X	X	X	X
LCD dot matrix display						X	X	X	X
Advanced user interface						X	X	X	X
Protective relay functions						X	X	X	X
Neutral protection <sup>2</sup>						X	X	X	X
Contact wear indication						X	X	X	X
Incremental fine tuning of settings						X	X	X	X
Selectable long-time delay bands						X	X	X	X
Power measurement						X	X	X	X
Power quality measurements								X	X
Waveform capture								X	X

<sup>1</sup>Requires M2C or M6C programmable contact module.

<sup>2</sup>Requires neutral current transformer for 3-phase, 4-wire system.

## Operation

### Circuit Breaker Status

Connection or disconnection of the drawout circuit breaker requires insertion of the racking handle (while pressing “Push to open” button). If interlocks, padlocks or an open door lock are in place, the racking handle cannot be inserted.

**⚡ ⚠ DANGER**

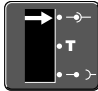
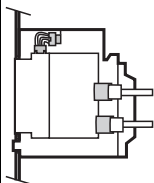
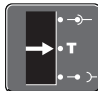
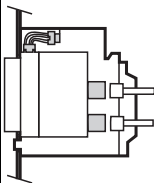

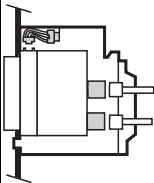
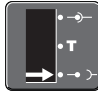
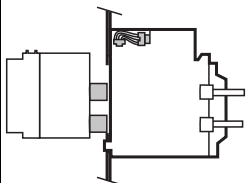
**HAZARD OF ELECTRIC SHOCK, EXPLOSION OR ARC FLASH**

- Apply appropriate personal protective equipment (PPE) and follow safe electrical work practices. See NFPA 70E, CSA Z462, or NOM-029-STPS.

This equipment must only be installed and serviced by qualified electrical personnel.

**Failure to follow these instructions will result in death or serious injury.**

**Table 8: Circuit Breaker Positions**

Position Indicator	Connector Position	Clusters	Secondary (Control) Connectors	Circuit Breaker Status
<p>Connected</p> 		Engaged	Engaged	Can be operated. Ready for service.
<p>Test</p> 		Disengaged	Engaged	Can be operated. Can have operation and control systems tested.
<p>Disconnected</p> 		Disengaged	Disengaged	Can be operated manually. Can be removed from carriage.
<p>Withdrawn</p> 		Disengaged	Disengaged	Removed from carriage.

As the circuit breaker position changes, the position contacts change states.

**Figure 33: Device Position Operation**

Circuit Breaker Position	Disconnected Position	Auxiliary Contacts Isolated	Test Position	Primary Connectors Isolated	Connected Position
Disconnected Position Switches (CD)	Open				
	Closed				
Test Position Switches (CT)	Open		Closed		Open
	Closed		Open		Closed
Connected Position Switches (CE)	Open				
	Closed				

As the circuit breaker main contacts operate, the auxiliary contacts change positions.

**Figure 34: Device Contact Operation**

	Completely Closed	Completely Open
Main Contacts	Closed	Open
Open / Closed Position Switches (OF)	Open	Closed
	Closed	Open

**Circuit Breaker Connection**

**⚠️ ⚠️ DANGER**

**HAZARD OF ELECTRIC SHOCK, EXPLOSION OR ARC FLASH**

- Apply appropriate personal protective equipment (PPE) and follow safe electrical work practices. See NFPA 70E, CSA Z462, or NOM-029-STPS.
- This equipment must be installed and serviced only by qualified electrical personnel.

**Failure to follow these instructions will result in death or serious injury.**

**NOTICE**

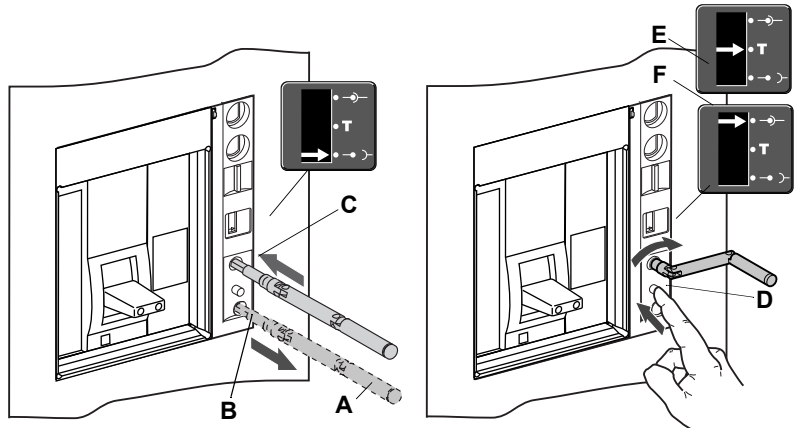
**HAZARD OF EQUIPMENT DAMAGE**

- Use racking handle provided to rack circuit breaker into or out of cradle.
- Do not use power tools for racking.
- Do not continue to turn handle after stop release button has popped out.

**Failure to follow these instructions can result in equipment damage.**

1. Disconnect load from secondary disconnects.
2. Remove racking handle (A) from storage hole (B).
3. Insert racking handle in racking slot (C).
4. Push stop release button (D).
5. Turn racking handle clockwise until test position (E) is reached. Stop release button will pop out.
6. Push stop release button (D).
7. Turn racking handle clockwise until connected position (F) is reached. Stop release button will pop out. Replace racking handle in its storage hole (B).
8. Reconnect load to secondary disconnects.

Figure 35: Rack Circuit Breaker In



### Circuit Breaker Disconnection

## **⚠️ ⚠️ DANGER**

### **HAZARD OF ELECTRIC SHOCK, EXPLOSION OR ARC FLASH**

- This equipment must be installed and serviced only by qualified electrical personnel.
- Beware of potential hazards, wear personal protective equipment and take adequate safety precautions.

**Failure to follow these instructions will result in death or serious injury.**

## **NOTICE**

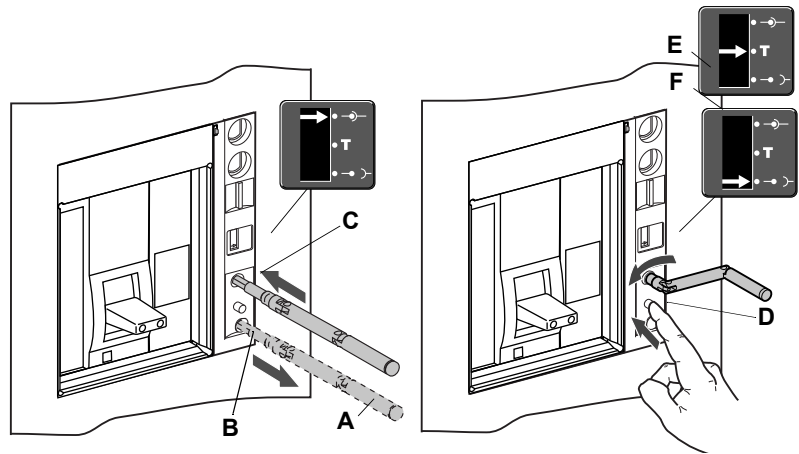
### **HAZARD OF EQUIPMENT DAMAGE**

- Use racking crank provided to rack circuit breaker into or out of cradle.
- Do not use power tools for racking.
- Do not continue to turn handle after stop release button has popped out.

**Failure to follow these instructions can result in equipment damage.**

1. Disconnect load from secondary disconnects
2. Remove racking handle (A) from storage hole (B).
3. Insert racking handle in racking slot (C).
4. Push stop release button (D). Turn racking handle counterclockwise until test position (E) is reached. Stop release button will pop out.
5. Push stop release button (D).
6. Turn racking handle counterclockwise until disconnected position (F) is reached. Stop release button will pop out. Replace racking handle in its storage hole (B).
7. Reconnect load to secondary disconnects.

**Figure 36: Rack Circuit Breaker Out**

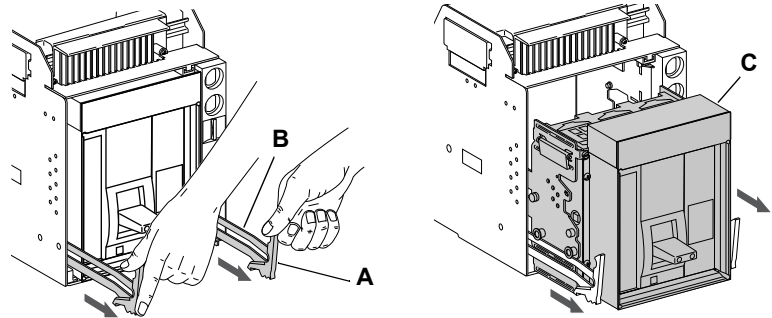


## REMOVAL

### Circuit Breaker Removal

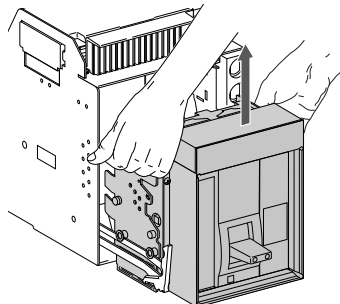
1. Disconnect circuit breaker as detailed on page 23, Circuit Breaker Disconnection.
2. Pull out extension rail handles (A) until extension rails (B) are fully extended. Pull out circuit breaker (C) to end of extension rails.

**Figure 37: Pull Out Circuit Breaker**



3. Remove circuit breaker from rails. Use lifting methods as detailed on page 7.

**Figure 38: Remove Circuit Breaker**



## NOTICE

### HAZARD OF EQUIPMENT DAMAGE

Cradle must be secured when installing or removing circuit breaker.

**Failure to follow these instructions can result in equipment damage.**



## Cradle Removal

1. Turn off all power supplying the equipment before working on or inside equipment.
2. Remove cradle in reverse order of installation.

### **DANGER**

#### **HAZARD OF ELECTRIC SHOCK, EXPLOSION OR ARC FLASH**

- Apply appropriate personal protective equipment (PPE) and follow safe electrical work practices. See NFPA 70E, CSA Z462, or NOM-029-STPS.
- This equipment must only be installed and serviced by qualified electrical personnel.
- Turn off all power supplying this equipment before working on or inside equipment.
- Always use a properly rated voltage sensing device to confirm power is off.
- Replace all devices, doors and covers before turning on power to this equipment.

**Failure to follow these instructions will result in death or serious injury.**

## Dimensions

### Enclosure Information

Table 9: Enclosure Dimensions

Circuit Breaker Enclosure Dimensions (H x W x D)		Ventilation Area			
		Top		Bottom	
in.	mm	in. <sup>2</sup>	mm <sup>2</sup>	in. <sup>2</sup>	mm <sup>2</sup>
18.25 x 13 x 9.5	463.6 x 330.2 x 241.3	9	5806	9	5806

### Door Cutout Dimensions

Figure 39: 800–1200 A Three-pole Drawout Circuit Breaker Door Cutout

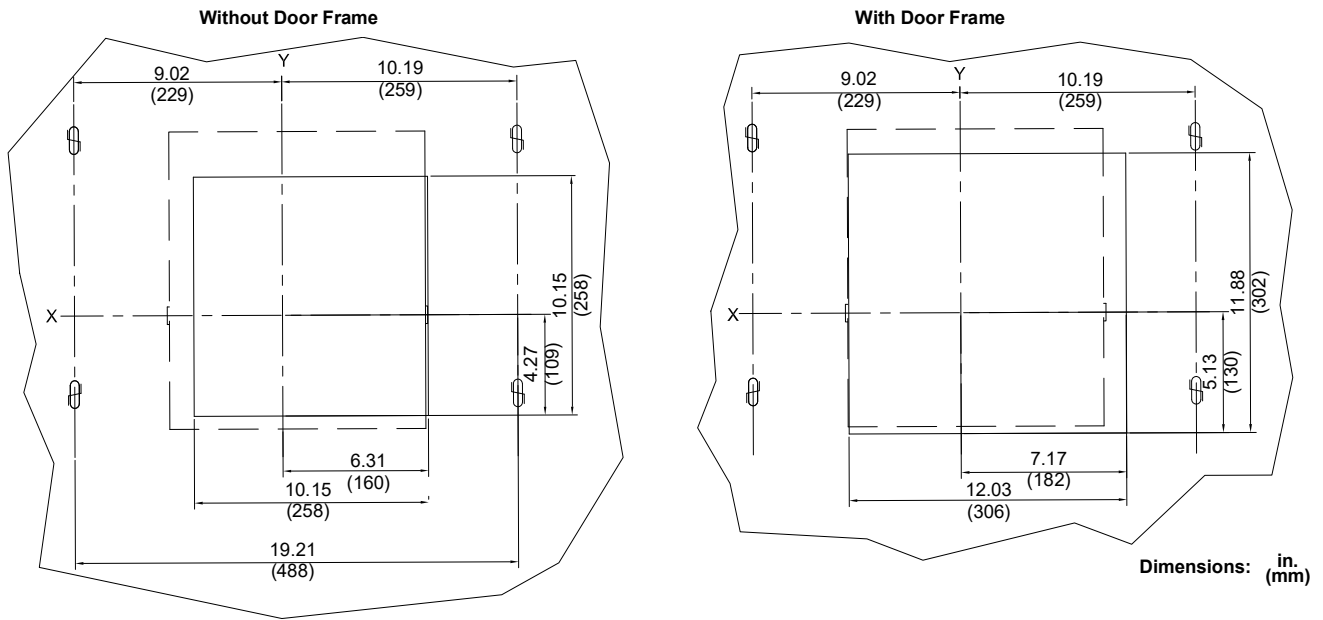
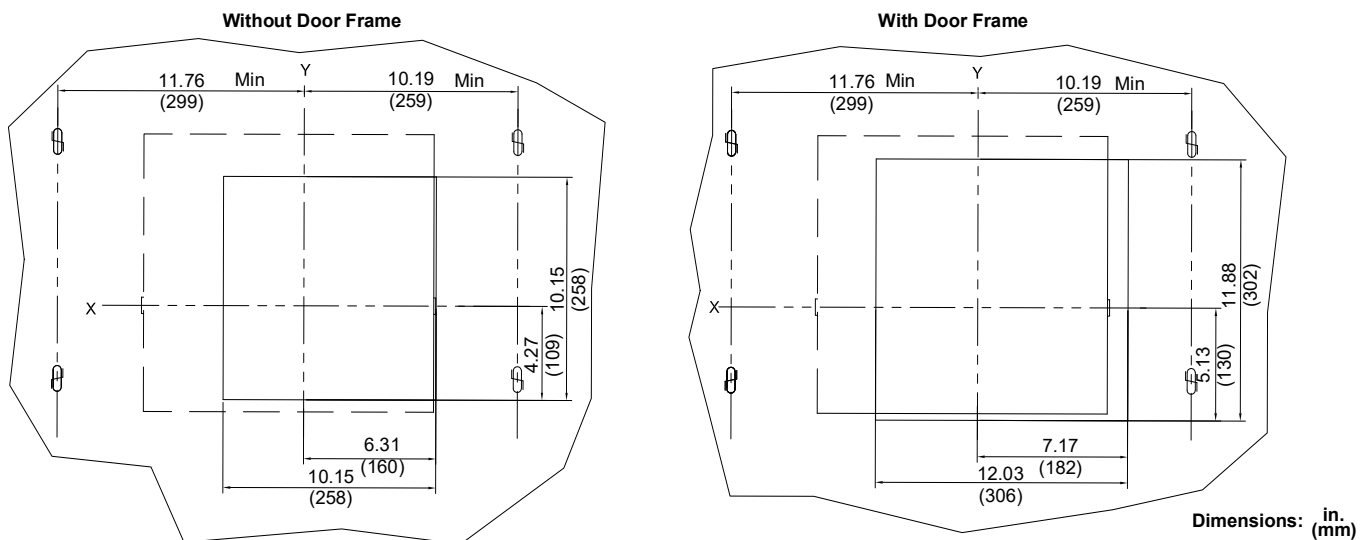
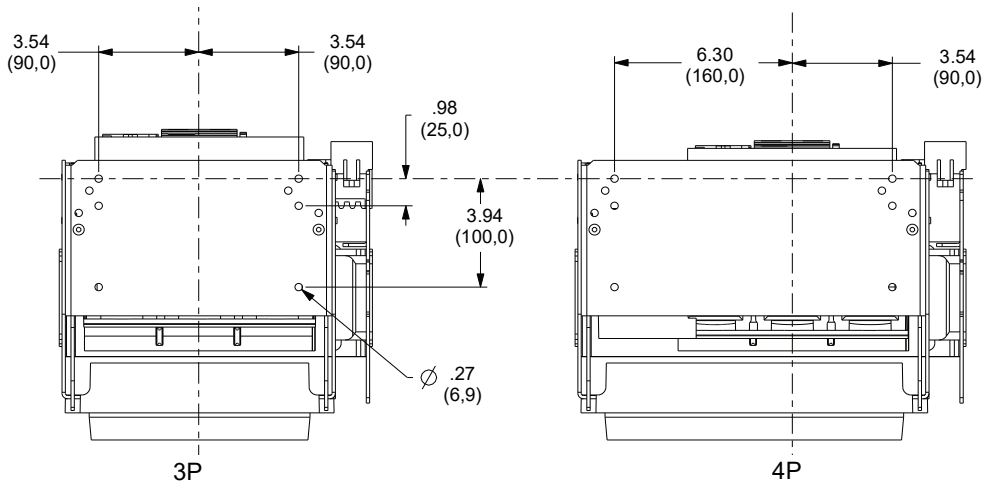


Figure 40: 800–1200 A Four-pole Drawout Circuit Breaker Door Cutout



**Horizontal Mounting Dimensions**

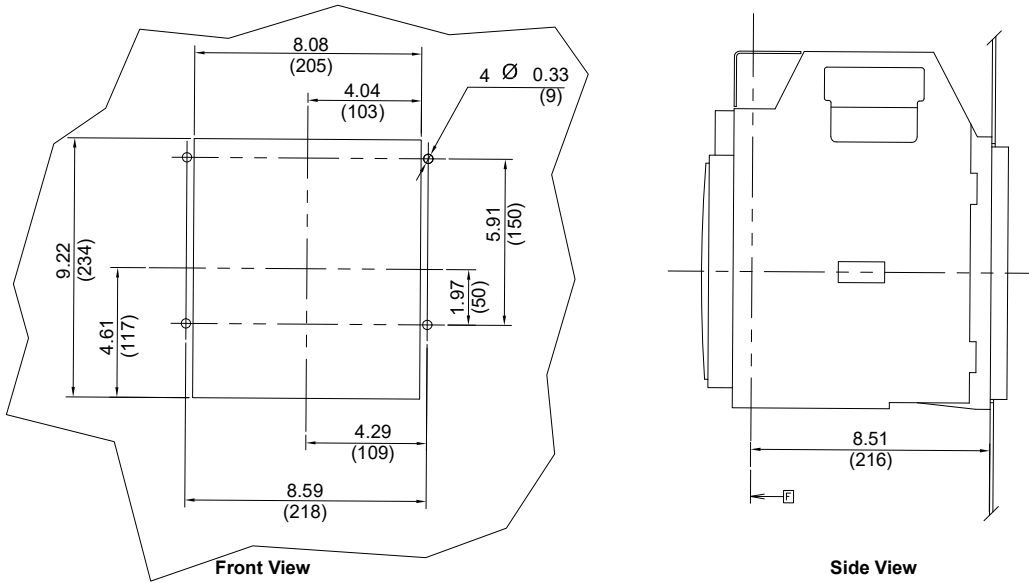
**Figure 41: Cradle Horizontal Mounting Holes**



Dimensions: in. (mm)

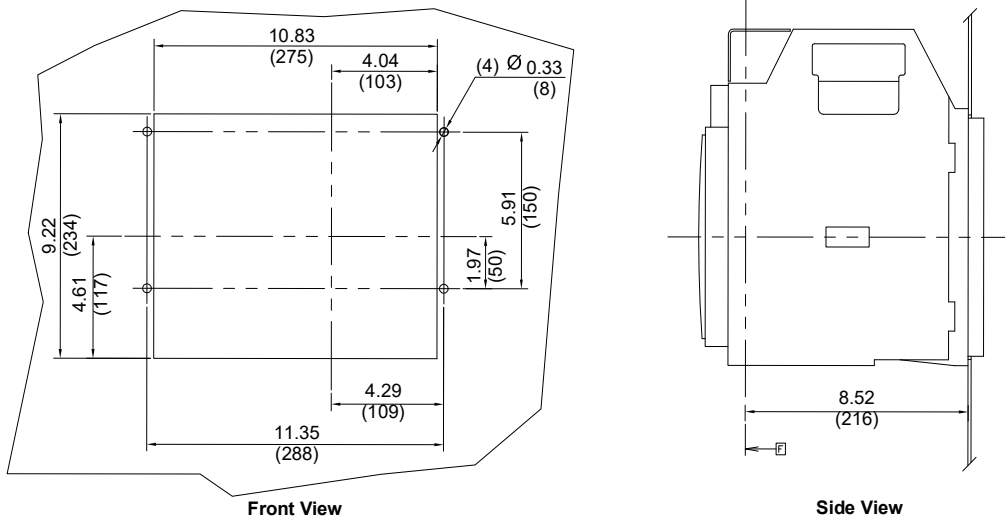
**Rear Cutout Dimensions**

**Figure 43: 800–1200 A Three-pole Drawout Circuit Breaker Rear Cutout**



Dimensions: in. (mm)

Figure 44: Four-pole Drawout Circuit Breaker Rear Cutout



Circuit Breaker and Cradle Dimensions

Figure 45: Three-Pole Drawout Circuit Breaker and Cradle

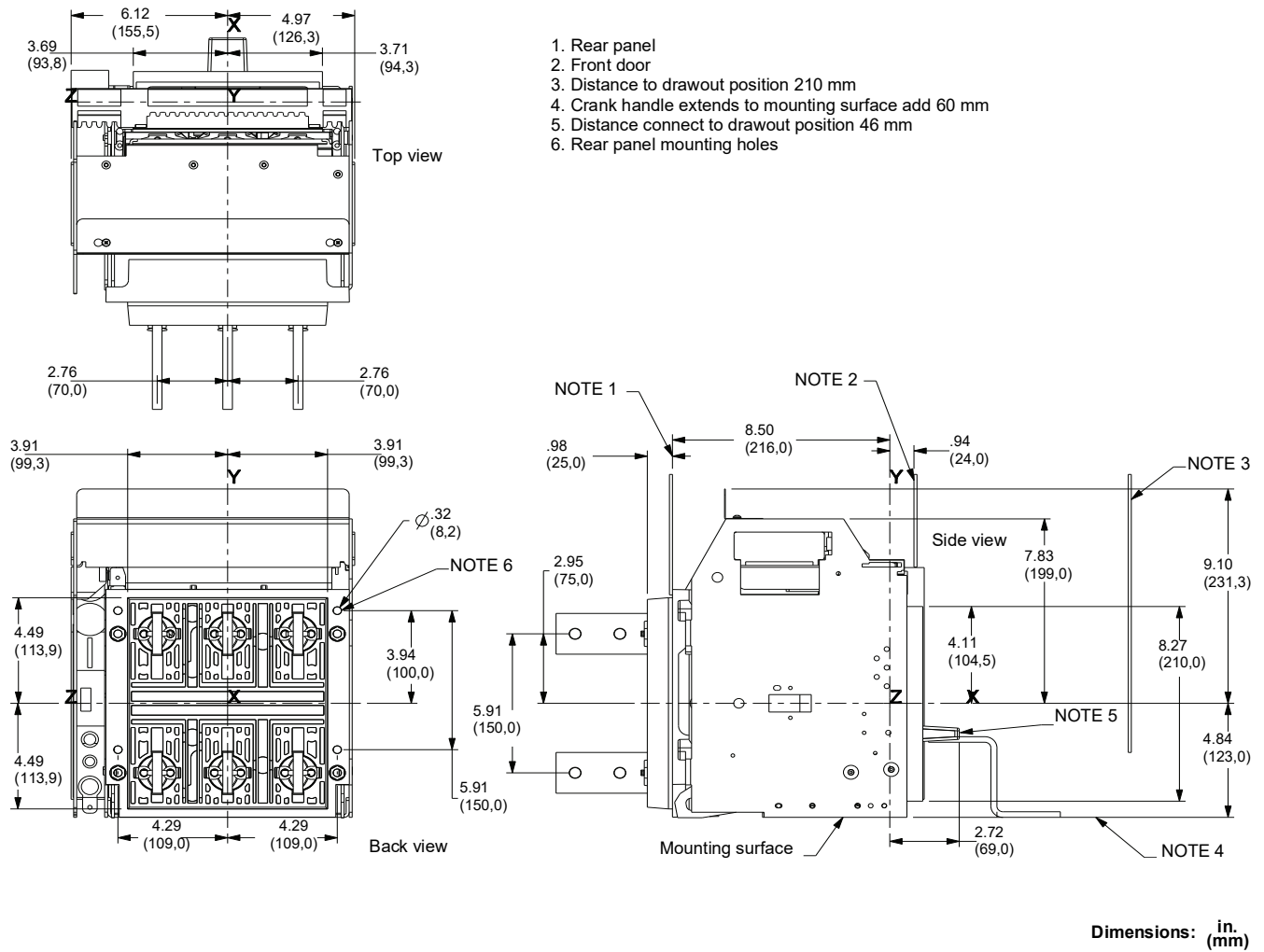
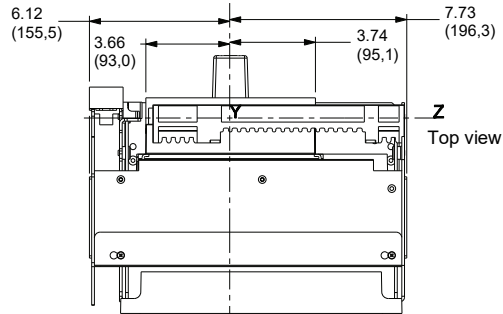
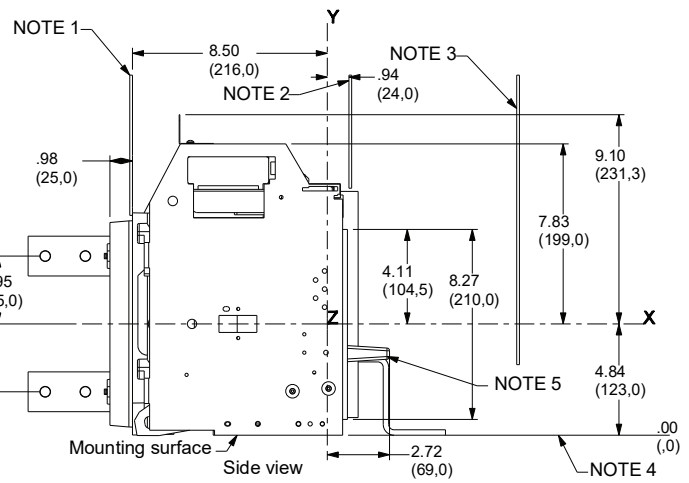
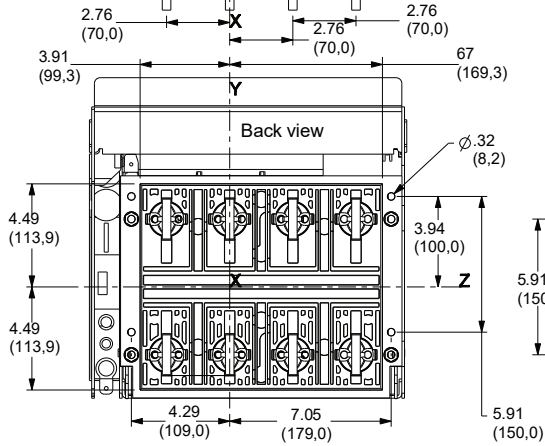


Figure 46: Four-Pole Drawout Circuit Breaker and Cradle



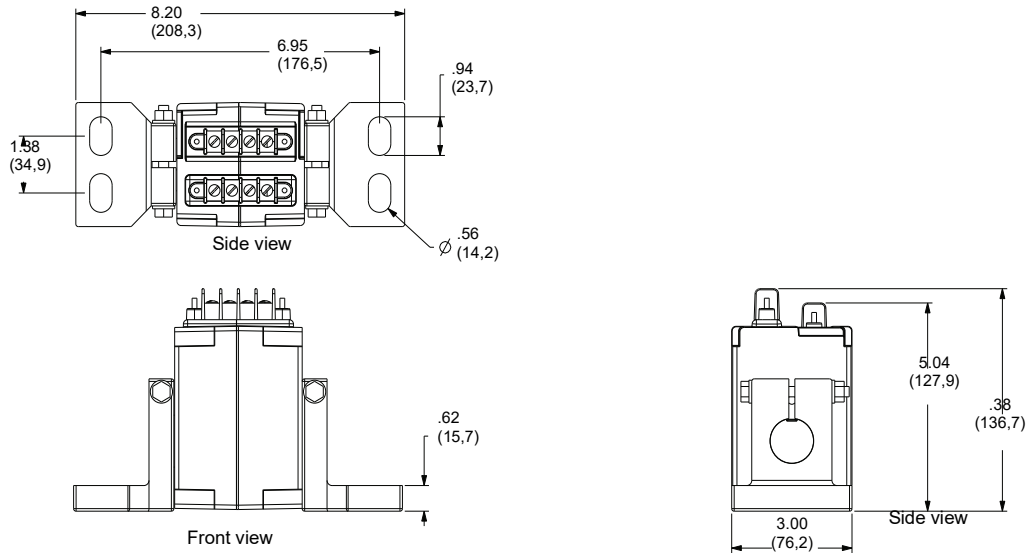
1. Rear panel
2. Front door
3. Distance to drawout position 210 mm
4. Crank handle extends to mounting surface add 60 mm
5. Distance connect to drawout position 46 mm
6. Rear panel mounting holes



Dimensions: in. (mm)

## Neutral Current Transformer Dimensions

Figure 47: External Neutral Current Transformer



Dimensions: in.  
(mm)

### Schneider Electric USA, Inc.

800 Federal Street  
 Andover, MA 01810 USA  
 888-778-2733  
 www.se.com/us

Standards, specifications, and designs may change, so please ask for confirmation that the information in this publication is current.

Schneider Electric and Square D are trademarks and the property of Schneider Electric SE, its subsidiaries, and affiliated companies. All other trademarks are the property of their respective owners.

© 2002–2023 Schneider Electric All Rights Reserved

48049-336-02, 06/2023  
 Replaces 48049-336-02 Rev. 03, 07/2015

# Interruptores automáticos PowerPacT™ removibles marco P

## Clase 612

## Boletín de instrucciones

48049-336-02  
Rev. 04, 06/2023

Conservar para uso futuro.

ESPAÑOL



## Información de seguridad



Asegúrese de leer detenidamente estas instrucciones y realice una inspección visual del equipo para familiarizarse con él antes de instalarlo, hacerlo funcionar o prestarle servicio de mantenimiento. Los siguientes mensajes especiales pueden aparecer en este boletín o en el equipo para advertirle sobre peligros potenciales o llamar su atención sobre cierta información que clarifica o simplifica un procedimiento.

La adición de cualquiera de estos símbolos a una etiqueta de seguridad de “Peligro” o “Advertencia” indica la existencia de un peligro eléctrico que podrá causar lesiones personales si no se observan las instrucciones.



Este es el símbolo de alerta de seguridad. Se usa para avisar sobre peligros potenciales de lesiones. Respete todos los mensajes de seguridad con este símbolo para evitar posibles lesiones o la muerte.

### **PELIGRO**

**PELIGRO** indica una situación de peligro inminente que, si no se evita, **podrá** causar la muerte o lesiones serias.

### **ADVERTENCIA**

**ADVERTENCIA** indica una situación potencialmente peligrosa que, si no se evita, **puede** causar la muerte o lesiones serias.

### **PRECAUCIÓN**

**PRECAUCIÓN** indica una situación potencialmente peligrosa que, si no se evita, **puede** causar lesiones menores o moderadas.


### **AVISO**

**AVISO** se usa para hacer notar prácticas no relacionadas con lesiones físicas. El símbolo de alerta de seguridad no se usa con esta palabra de indicación.

## Observe que

Solamente el personal calificado deberá instalar, hacer funcionar y prestar servicios de mantenimiento al equipo eléctrico. Schneider Electric no asume responsabilidad alguna por las consecuencias emergentes de la utilización de este material.

Una persona calificada es aquella que tiene destreza y conocimiento técnico relacionado con la construcción, instalación y funcionamiento del equipo eléctrico; asimismo, esta persona ha recibido capacitación sobre seguridad con la cual puede reconocer y evitar los riesgos involucrados.

 **ADVERTENCIA:** Este producto puede exponerle a químicos incluyendo DINP, que es (son) conocido(s) por el Estado de California como causante(s) de cáncer y DIDP, que es (son) conocido(s) por el Estado de California como causante(s) de defectos de nacimiento u otros daños reproductivos. Para mayor información, visite : [www.P65Warnings.ca.gov](http://www.P65Warnings.ca.gov).

## Introducción

El interruptor automático removible marco P ha sido diseñado para ser montado en una cuna removible y las conexiones eléctricas a la cuna se realizan desde la parte posterior con conectores de encaje a presión.

La unidad de disparo electrónico MicroLogic™ controla las funciones de disparo. Para obtener información adicional, consulte las siguientes guías del usuario disponibles en el sitio web de Schneider Electric™:

- Catálogo 0612CT0101: *Interruptor automático PowerPacT™ marcos M, P y R*
- Boletín 0613IB1314: *Masterpact NT/NW y PowerPacT marcos P y R - Guía de comunicación Modbus*
- Boletín 0612IB1201: *Dibujos dimensionales para los interruptores automáticos PowerpacT*
- Boletín 48049-136-05: *Unidades de disparo electrónico MicroLogic 2.0A, 3.0A, 5.0A y 6.0A*
- Boletín 48049-330-03: *Unidades de disparo electrónico MicroLogic 5.0H y 6.0H*
- Boletín 48049-137-05: *Unidades de disparo electrónico MicroLogic 5.0P y 6.0P*
- Boletín 48049-207-05: *Unidades de disparo electrónico MicroLogic 2.0, 3.0 y 5.0*

Para acceder a nuestro sitio web, vaya a: <http://www.se.com>

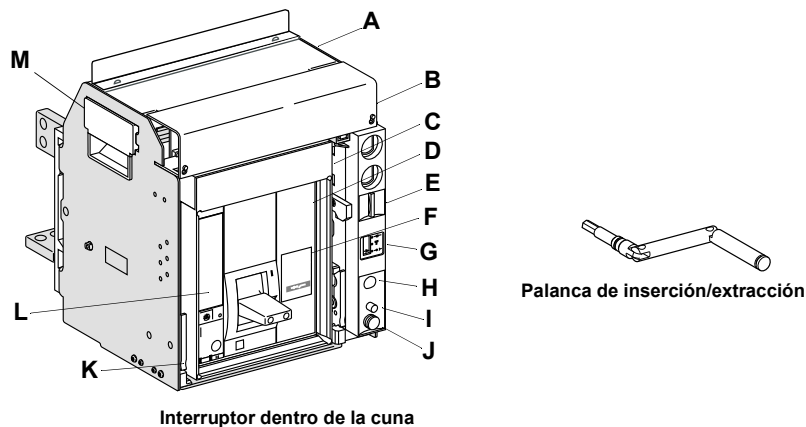
Para obtener asistencia sobre alguna aplicación, llame al 1-888-778-2733 en EUA y al 01800- 724634337 en México.

ESPAÑOL

## Configuración

- A. Cuna
- B. Cubierta de terminales
- C. Interruptor automático
- D. Cubierta de accesorios
- E. Provisión para candado
- F. Placa frontal
- G. Indicador de posición
- H. Cavidad para inserción de la palanca de inserción/extracción
- I. Botón de paro y liberación
- J. Espacio para almacenar la palanca de inserción/extracción
- K. Palanca del riel extensible
- L. Unidad de disparo
- M. Lengüetas de levantamiento

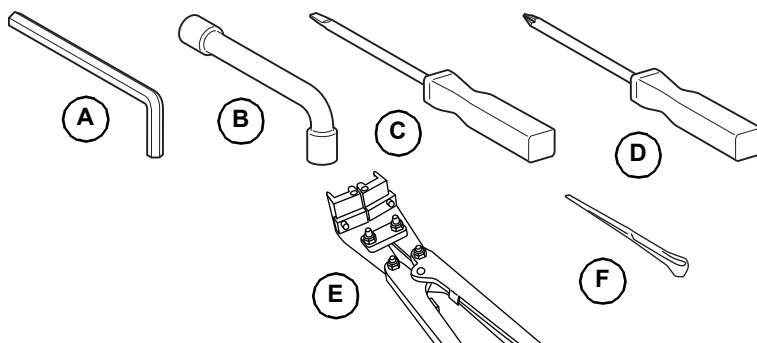
Figura 1 – Interruptor automático y cuna



### Herramientas necesarias

- A. Llave hexagonal de 6 mm
- B. Llave de tubo angular de 3/8 pulg (9,5 mm)
- C. Destornillador de punta plana (Pozidrive® no. 2 ó 3, o de punta plana)
- D. Destornillador Torx® 20
- E. Herramienta de posicionamiento de las pinzas de conexión, no. de cat. S47542
- F. Herramienta de inserción de cables Wago, pieza no. Wago 209-129

Figura 2 – Herramientas

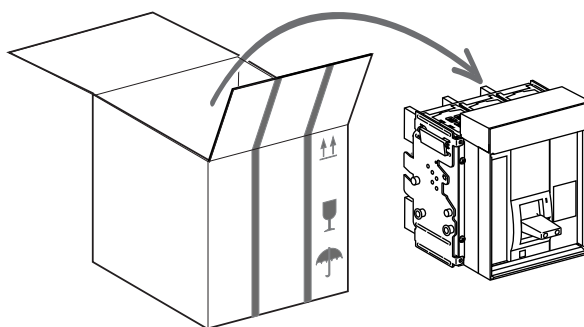


### Desempaque

#### Desempaque del interruptor automático

Retire el interruptor de la caja.

Figura 3 – Desempaque del interruptor

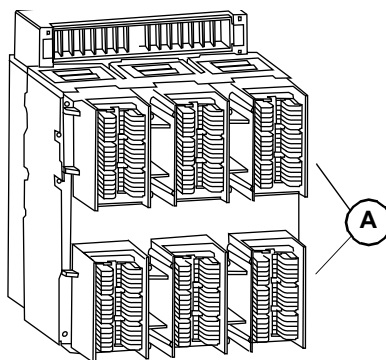


### Inspección, sustitución y lubricación de las pinzas de conexión

#### Inspección de las pinzas de conexión

1. Inspeccione las pinzas de conexión (A) situadas en la parte de atrás del interruptor. Asegúrese de que las pinzas de conexión estén correctamente instaladas como se muestra en la figura 4.
2. Realice una inspección visual a las pinzas de conexión para ver si encuentra daños tales como:
  - Áreas decoloradas
  - Restos de cobre visibles en los dedos
  - Resortes rotos o cuarteados

Figura 4 – Pinzas de conexión



	Pinzas de conexión por polo
NT08	6
NT10	6
NT12	6

ESPAÑOL

## AVISO

### PELIGRO DE DAÑO AL EQUIPO

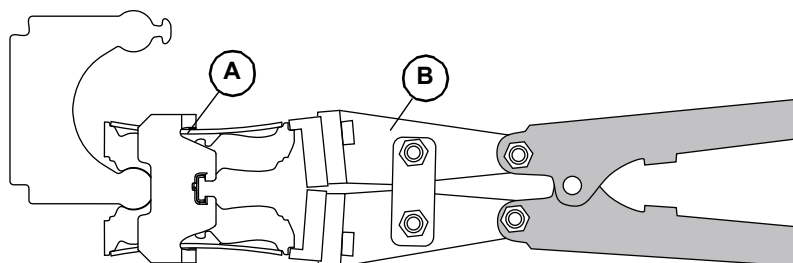
- Si se llegasen a retirar las pinzas de conexión por cualquier razón, las pinzas deben ser instaladas empleando la herramienta de posicionamiento S47542.
- Lubrique las pinzas de conexión como se muestra en la Aplicación de lubricante en las pinzas de conexión en la página 10.
- Instale solamente una barra de 3/8 pulg (9,5 mm) de ancho.

**El incumplimiento de estas instrucciones puede causar daño al equipo.**

### Sustitución de las pinzas de conexión

1. Retire las pinzas de conexión dañadas o desgastadas.
2. Instale las nuevas pinzas de conexión (A) utilizando la herramienta de posicionamiento S47542 (B).

Figura 5 – Sustitución de las pinzas de conexión



### Lubricación de las pinzas de conexión

## AVISO

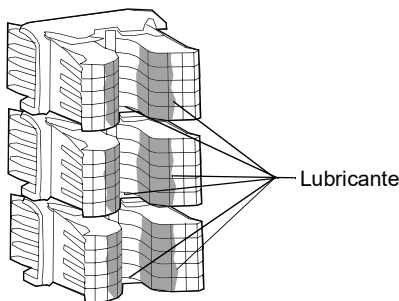
### PELIGRO DE DAÑO AL EQUIPO

Inspeccione las pinzas de conexión y asegúrese de que estén lubricadas al desmontar el interruptor de la cuna.

**El incumplimiento de estas instrucciones puede causar daño al equipo.**

Utilice el accesorio de lubricación S48899 para lubricar las mordazas de las pinzas de conexión, como se muestra en la figura 6.

Figura 6 – Aplicación de lubricante en las pinzas de conexión



### Lubricación de las lengüetas de la cuna

Las lengüetas de la cuna deberán ser lubricadas e inspeccionadas visualmente al instalar la cuna por primera vez y de nuevo durante los intervalos de servicio de mantenimiento después de haber desconectado toda la alimentación.

**⚠ ⚠ PELIGRO**

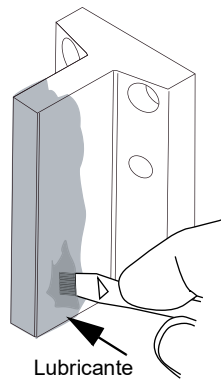
**PELIGRO DE DESCARGA ELÉCTRICA, EXPLOSIÓN O DESTELLO POR ARQUEO**

- Utilice equipo de protección personal (EPP) apropiado y siga las prácticas de seguridad en trabajos eléctricos establecidas por su Compañía, consulte la norma 70E de NFPA, Z462 de CSA o NOM-029-STPS.
- Solamente el personal eléctrico calificado deberá instalar y prestar servicio de mantenimiento a este equipo.
- Desenergice el equipo antes de realizar cualquier trabajo dentro o fuera de él.
- Siempre utilice un dispositivo detector de tensión nominal adecuado para confirmar la desenergización del equipo.
- Vuelva a colocar todos los dispositivos, las puertas y las cubiertas antes de volver a energizar el equipo.

**El incumplimiento de estas instrucciones podrá causar la muerte o lesiones serias.**

Confirme que ambos lados de las lengüetas estén cubiertos con lubricante. Si fuese necesario, emplee el kit de grasa (número de catálogo S48899) para lubricar las lengüetas.

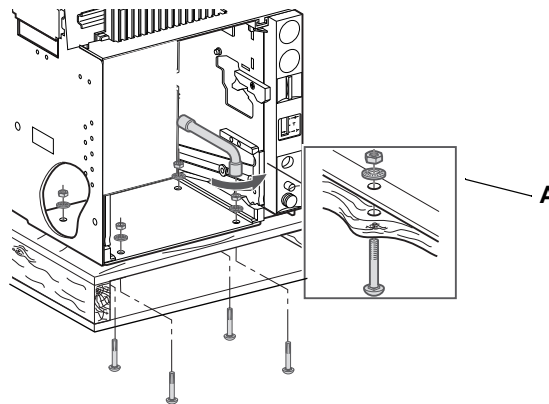
**Figura 7 – Aplicación de lubricante en las lengüetas de la cuna**



### Desempaque de la cuna

Quite los cuatro tornillos, las tuercas y las roldanas (A) que sujetan la cuna a la plataforma para manejo de mercancías.

**Figura 8 – Extracción de los tornillos de la cuna**



## Levantamiento y transporte

### ⚠ PRECAUCIÓN

#### PELIGRO DE QUE EL DISPOSITIVO SE CAIGA

- Siempre deberá haber dos personas levantando el dispositivo.
- Utilice casco, calzado de seguridad y guantes de trabajo.

**El incumplimiento de estas instrucciones puede causar lesiones o daño al equipo.**

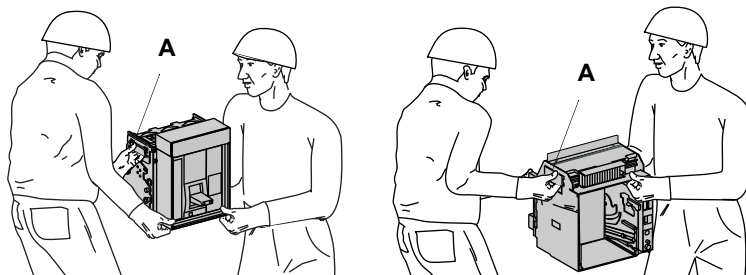
**Table 1: Peso**

Tipo de conector	Peso (lbs/kg)								
	Interruptor automático		Cuna		Conector		Plataforma	Total	
	3P	4P	3P	4P	3P	4P		3P	4P
FCF	40 / 18	52 / 24	36 / 16	43 / 20	15 / 7	20 / 9	10 / 5	101 / 46	125 / 57
RCTH/RCTV	40 / 18	52 / 24	36 / 16	43 / 20	6 / 3	8 / 4	10 / 5	92 / 42	113 / 51

El levantamiento requiere de dos personas, una de cada lado.

Levante el interruptor y la cuna por las lengüetas de levantamiento (A) ubicadas en sus costados.

**Figura 9 – Levantamiento del interruptor o de la cuna**



## Instalación

Normalmente, el equipo se entrega con las cunas instaladas y los interruptores se entregan por separado.

Para el equipo entregado sin cunas, instale las cunas de acuerdo con las instrucciones que se detallan abajo.

Si su equipo tiene cunas instaladas, consulte la página 20 para obtener las instrucciones de instalación de los interruptores.

### ⚠ ⚠ PELIGRO

#### PELIGRO DE DESCARGA ELÉCTRICA, EXPLOSIÓN O DESTELLO POR ARQUEO

- Utilice equipo de protección personal (EPP) apropiado y siga las prácticas de seguridad en trabajos eléctricos establecidas por su Compañía, consulte la norma 70E de NFPA, Z462 de CSA o NOM-029-STPS.
- Solamente el personal eléctrico calificado deberá instalar y prestar servicio de mantenimiento a este equipo.
- Desenergice el equipo antes de realizar cualquier trabajo dentro o fuera de él.
- Siempre utilice un dispositivo detector de tensión nominal adecuado para confirmar la desenergización del equipo.
- Vuelva a colocar todos los dispositivos, las puertas y las cubiertas antes de volver a energizar el equipo.

**El incumplimiento de estas instrucciones podrá causar la muerte o lesiones serias.**

## Instalación de la cuna

**NOTA:** No ponga herramientas ni otros objetos sobre la cuna.

1. Los accesorios adquiridos independientemente (no instalados de fábrica) de la cuna se deben instalar en este momento.
  - a. Si la abertura no existe, corte la puerta del equipo para instalar el escudo. Consulte Dimensiones en la página 31 para obtener las dimensiones de las aberturas.
  - b. Instale el escudo.
  
2. Si el equipo tiene un recorte en la puerta, instale el escudo incluido con la cuna.
  - a. Si la abertura no existe, corte la puerta del equipo para instalar el escudo. Consulte Dimensiones en la página 31 para obtener las dimensiones de las aberturas.
  - b. Instale el escudo.
  
3. Sujete la cuna.
  - a. Desenergice el equipo antes de realizar cualquier trabajo en él.
  - b. Si los agujeros de montaje no existen, taladre los agujeros en la bandeja para montar la cuna. Consulte Dimensiones en la página 31 para obtener las dimensiones del patrón de los agujeros de montaje de la cuna.
  - c. Asegúrese de que la superficie de montaje esté completamente plana. La superficie deberá estar plana con una desviación permitida de 2 mm (0,08 pulg).
  - d. Utilice tuercas, roldanas y tornillos de 3/8 pulg. para montar la cuna en la bandeja.

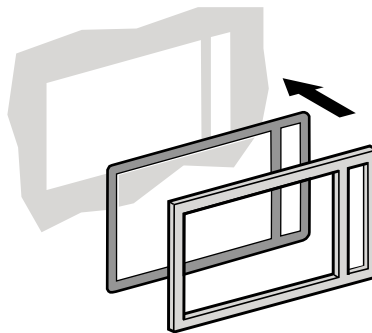
**⚠ ⚠ PELIGRO**

**PELIGRO DE DESCARGA ELÉCTRICA, EXPLOSIÓN O DESTELLO POR ARQUEO**

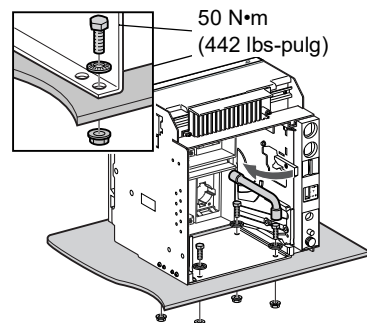
No ponga herramientas ni otros objetos sobre la cuna.

**El incumplimiento de estas instrucciones podrá causar la muerte o lesiones serias.**

**Figura 10 – Instalación del escudo de la puerta**



**Figura 11 – Sujeción de la cuna**



**⚠️ PELIGRO**

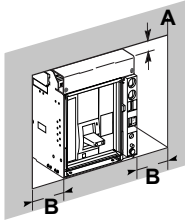
**PELIGRO DE DESCARGA ELÉCTRICA, EXPLOSIÓN O DESTELLO POR ARQUEO**

Deberá cumplir con los requisitos de espacio libre para que funcione correctamente el equipo.

**El incumplimiento de estas instrucciones podrá causar la muerte o lesiones serias**

4. Verifique el espacio libre disponible.

**Tabla 2 – Requisitos de espacio libre**



Espacio libre mínimo	A		B	
	pulg	mm	pulg	mm
Piezas aisladas	1,3	33	0,4	10
Piezas metálicas	1,3	33	0,4	10

5. Instale los conectores.

Consulte la tabla 3 para obtener información sobre los conectores estándar. Comuníquese con la oficina de campo para obtener información sobre los conectores no estándar.

Consulte la página 31 para obtener las dimensiones de los conectores.

6. Instale las barras de distribución.

Consulte la tabla 4 para obtener información sobre los requisitos necesarios para las barras de los interruptores y conectores.

**Tabla 3 – Conectores estándar**

Vertical en "T" con conexión posterior (RCTV)	Horizontal en "T" con conexión posterior (RCTH)	Plano con conexión frontal (FCF)

**NOTA:** El encargado de la instalación es responsable de realizar la conexión de las barras a los conectores. Las barras de distribución deben estar sujetas por la estructura del tablero de fuerza para evitar que su peso descansa en los conectores. Los soportes de las barras deben estar reforzados para evitar que las fuerzas de cortocircuito desvíen los conectores.

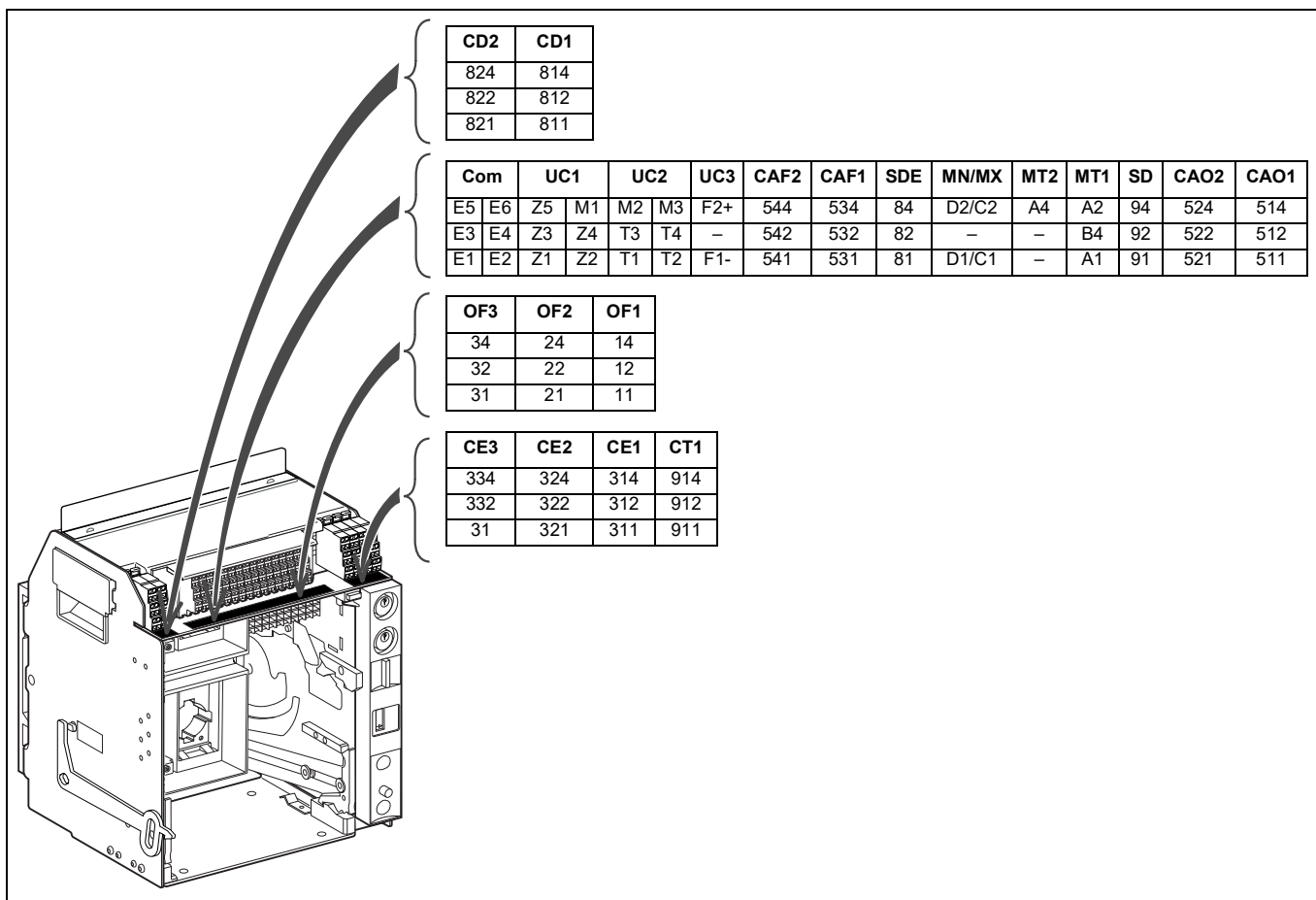
**Tabla 4 – Tamaño de barra necesario**

Valor nominal del interruptor automático	Tipo de conector	Barras por conector	
		Cantidad	Tamaño
800 A	RCTV	1	0,25 x 3 pulg (6 x 76 mm)
	RCTH	2	0,25 x 1,5 pulg (6 x 38 mm)
	FCF	3	0,25 x 1,5 pulg (6 x 38 mm)
1200 A	RCTV	1	0,25 x 3 pulg (6 x 76 mm)
	RCTH	3	0,25 x 1,5 pulg (6 x 38 mm)
	FCF	4	0,25 x 1,5 pulg (6 x 38 mm)



7. Instale los conectores de los accesorios.

Tabla 5 – Configuración de las terminales para la instalación de los conectores de encaje a presión

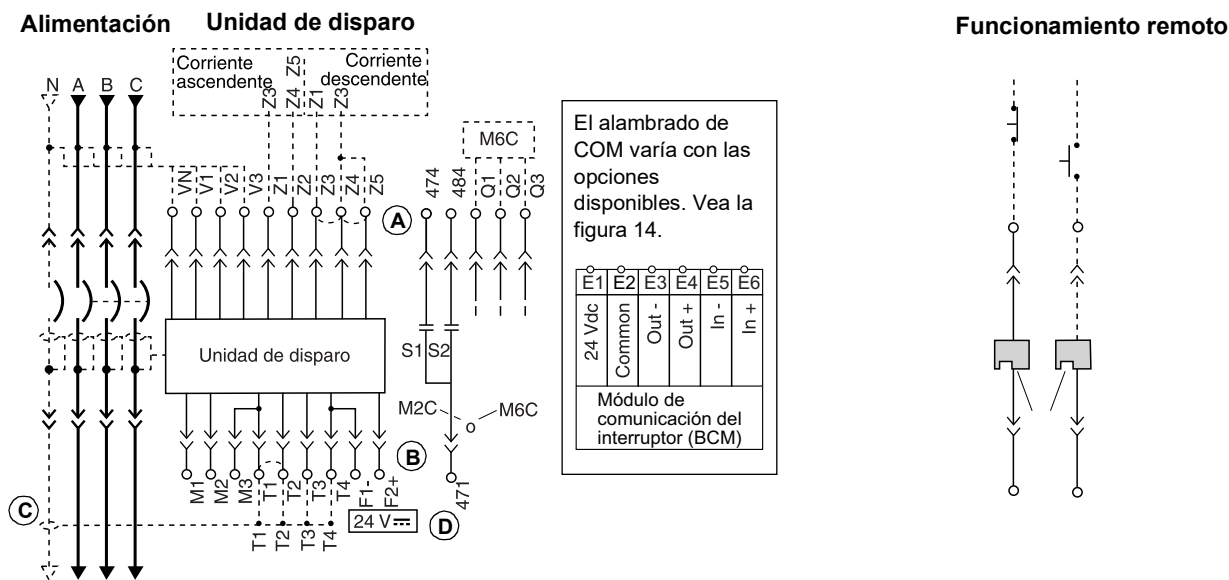


Función	Conector	Descripción	Tipo de unidad de disparo				Conector	Descripción
			Básico	A	P	H		
Contactos auxiliares	OF	Contactos de posición de abierto/cerrado del desconectador seccionador o interruptor automático	-	•	•	•	Com: E1-E6	Comunicación
Contactos de la palanca giratoria	CAO	Contacto de apertura prematura	-	•	•	•	UC1: Z	Enclavamiento selectivo de zona
	CAF	Contacto de cierre prematuro						Z1 = señal de salida de ZSI
Contactos de la cuna	CD	Contactos en posición de desconectado						Z2 = salida de ZSI
	CE	Contactos en posición de conectado						Z3 = señal de entrada de ZSI
	CT	Contactos en posición de prueba						Z4 = retardo de tiempo corto de entrada de ZSI
Funcionamiento remoto	SDE	Contacto de alarma de falla eléctrica						Z5 = falla a tierra en la entrada de ZSI
	SD	Contacto de alarma	-	•	•	•	UC1: M1	Módulo de falla a tierra diferencial modificada (MDFG)
	MN	Dispositivo de disparo por baja tensión	-	•	•	•	UC2: T	Neutro externo
	MX*	Disparo en derivación	-	•	•	•	UC2: M	Falla a tierra diferencial modificada (MDFG)
			-	•	•	•	UC3: F	Fuente de alimentación externa de 24 V (c.d), (F1 -, F2 +)
			-	-	•	•	UC3: Vn	Enchufe del neutro externo

\* Si se utilizan bobinas MXF en la comunicación, la terminal C3 deberá conectarse en el lado de línea aun cuando no esté instalado el módulo de comunicación.

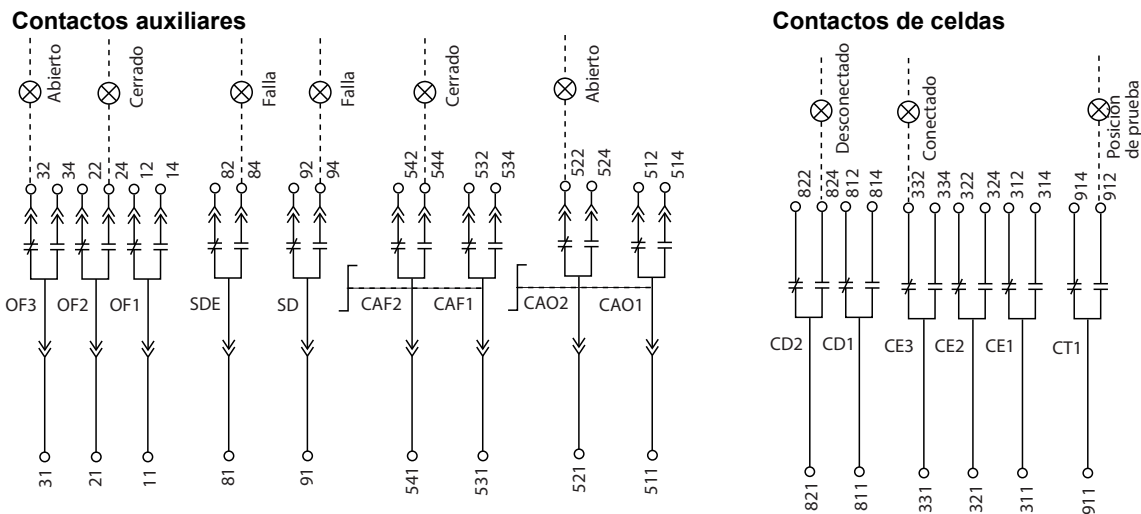
**NOTA:** Todos los diagramas se muestran con el interruptor automático abierto, conectado y cargado.

Figura 12 – Diagramas de alambado para las conexiones auxiliares



- A—No retire los puentes de conexión instalados en la fábrica entre Z3, Z4 y Z5 a no ser que esté conectado un enclavamiento selectivo de zona (ZSI).
- B—No retire el puente de conexión instalado en la fábrica entre T1 y T2 a no ser que esté conectado un TC al neutro. No instale el puente de conexión entre T3 y T4.
- C—Para conectar correctamente el TC al neutro, consulte los diagramas de alambado en la página 19.

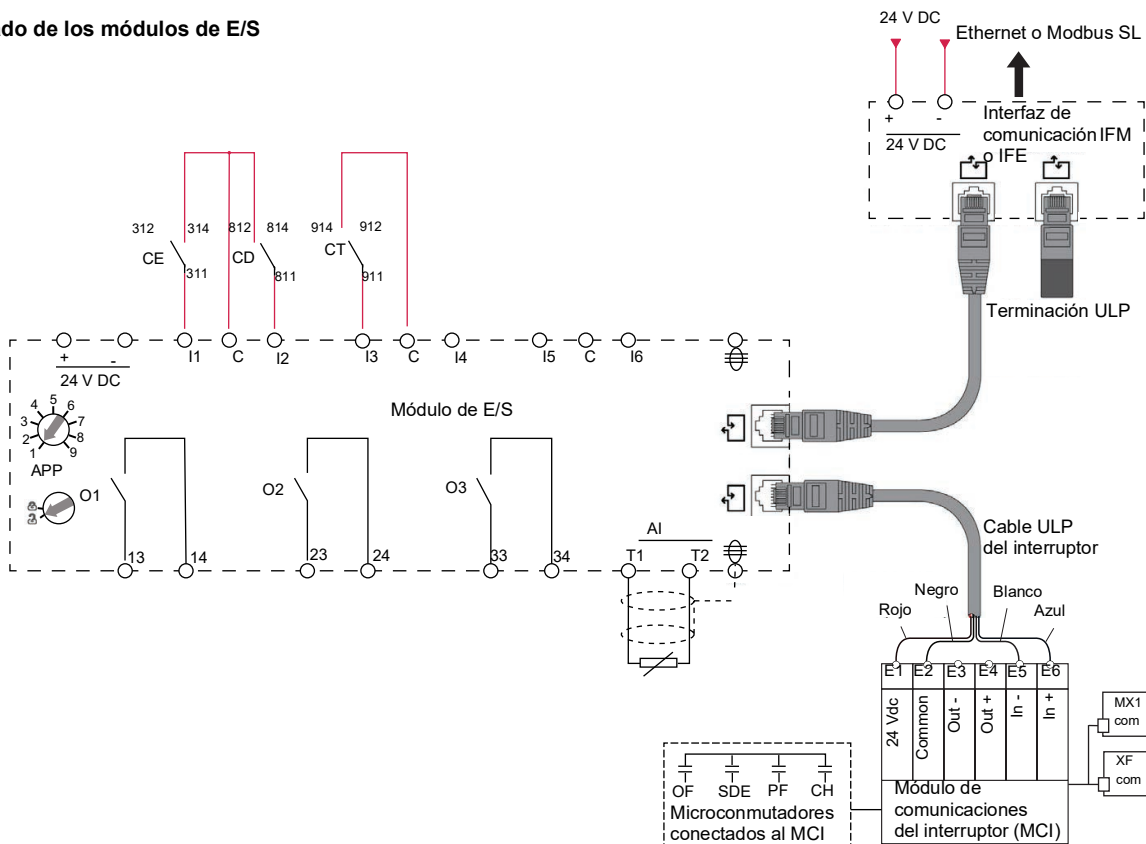
Figura 13 – Diagramas de alambado para las conexiones auxiliares



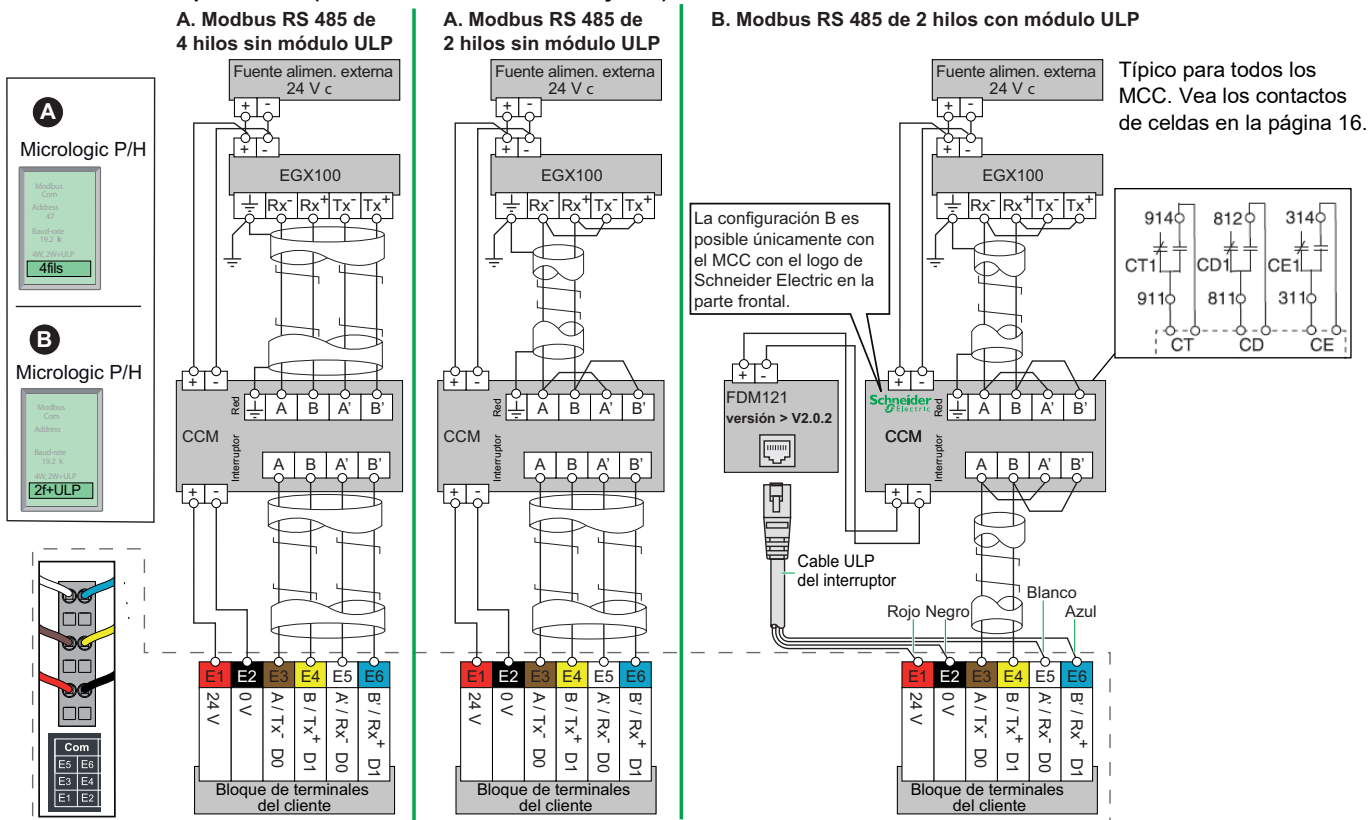
ESPAÑOL

Figura 14 – Diagramas de alambrado para la opción de COM

Alambrado de los módulos de E/S



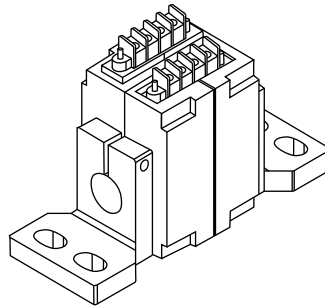
Alambrado de la opción COM (módulos Modbus ULP MCC y MCI)



ESPAÑOL

8. Si el interruptor dispone de disparo por falla a tierra o alarma, un circuito de tres fases y cuatro hilos necesita un transformador de corriente al neutro (TC) externo. Conecte el TC al neutro al interruptor de acuerdo con los diagramas de alambrado en la figura 16.
  - a. Conecte el primario:
    - Cuando la carga está conectada en el extremo inferior del interruptor, conecte el neutro de la carga a la terminal H1 del TC al neutro.
    - Si la alimentación eléctrica está conectada en el extremo inferior del interruptor, conecte el neutro de la alimentación a la terminal H1 del TC al neutro.

**Figura 15 – Transformadores de corriente al neutro**



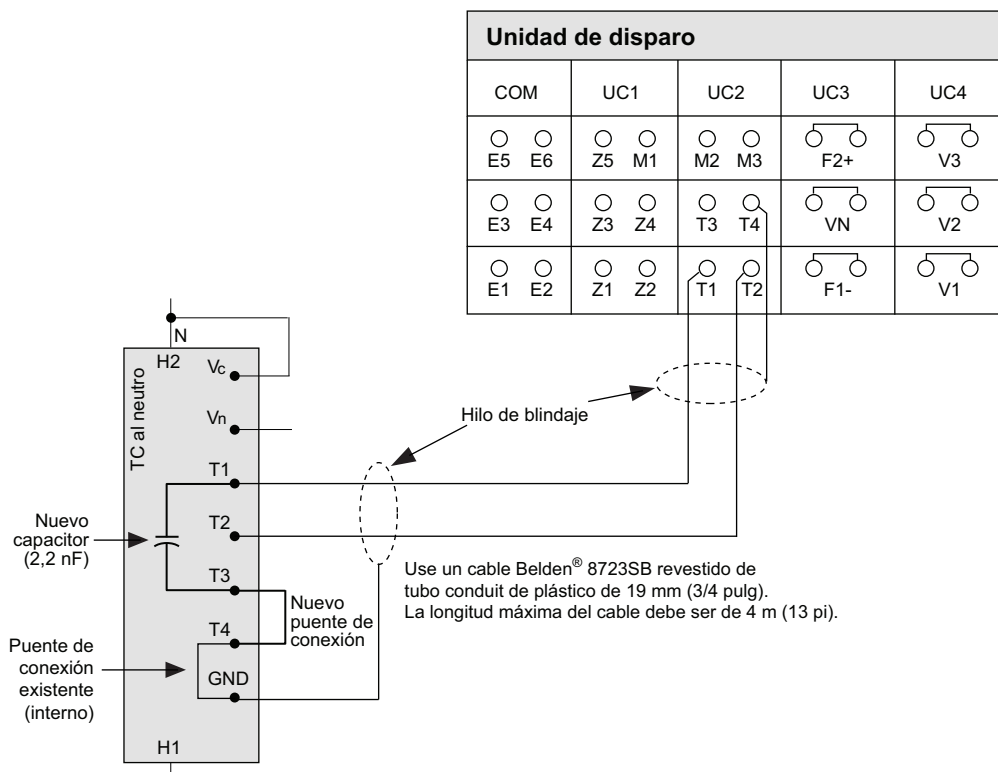
**NOTA:** La conexión a tierra del equipo se debe realizar en la corriente ascendente (en el lado de línea) del TC al neutro y debe contar con una conexión del neutro desde el transformador de alimentación hasta el equipo.

- b. Para interruptores que utilicen unidades de disparo MicroLogic 5.0P, 6.0P, 5.0H o 6.0H conecte la terminal Vn del transformador de corriente del neutro a la terminal Vn de la terminal del alambrado de control; así, la unidad de disparo puede realizar mediciones de tensión. Las terminales Vc y Vn se encuentran conectadas internamente.
9. Retire el puente de conexión en T1 y T2, instalado en la fábrica.
10. Conecte el cable Belden® y el tubo conduit de plástico del TC al neutro a las terminales de la cuna.
11. Conecte el cable como se ilustra en el diagrama esquemático en la figura 16.
12. Revise todo el alambrado.

**NOTA:** Los circuitos de falla a tierra diferencial modificada y los circuitos de falla a tierra de retorno por tierra, requieren el uso de un módulo de falla a tierra diferencial modificada (MDGF) y transformadores de corriente especiales. Para el alambrado de estos sistemas, consulte las instrucciones que acompañan al módulo MDGF.

<b>AVISO</b>
<p><b>PELIGRO DE FUNCIONAMIENTO INAPROPIADO DEL SISTEMA DE DISPARO</b></p> <p>F1 y F2 deberán ser aislados de tierra. Asegúrese de que todo el alambrado haya sido instalado de acuerdo con las instrucciones de este boletín.</p> <p><b>El incumplimiento de estas instrucciones puede causar disparos incorrectos durante la operación de cierre.</b></p>

Figura 16 – Diagrama esquemático de alambado de los interruptores automáticos NT

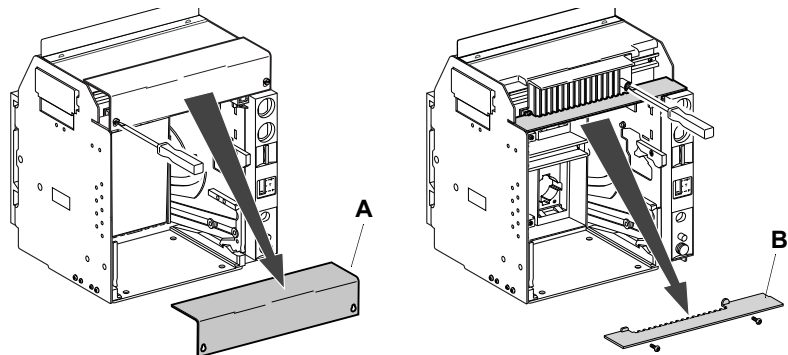


ESPAÑOL

13. Realice las conexiones de los accesorios.

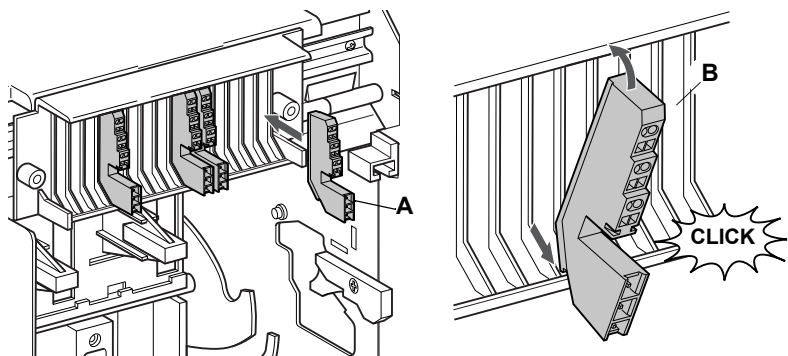
- a. Quite la cubierta de terminales opcional (A), si está instalada, y la cubierta del alambrado (B).

Figura 17 – Desmontaje de las cubiertas



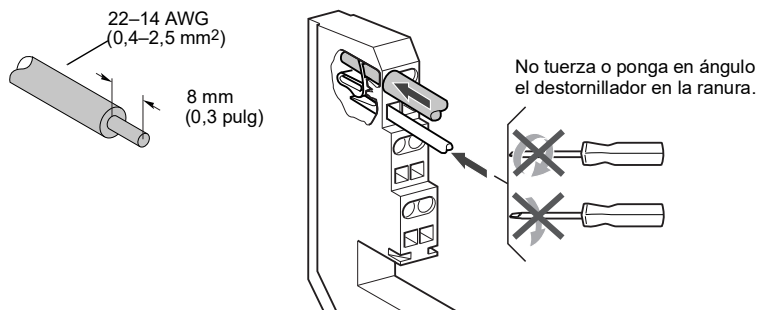
- b. Instale el conector de los accesorios en la ranura (A) correspondiente. (Para obtener información relativa al posicionamiento estándar, consulte la etiqueta de la cuna.) Gire el conector de los accesorios hacia arriba (B) hasta que encaje en su lugar.

Figura 18 – Instalación del conector de los accesorios



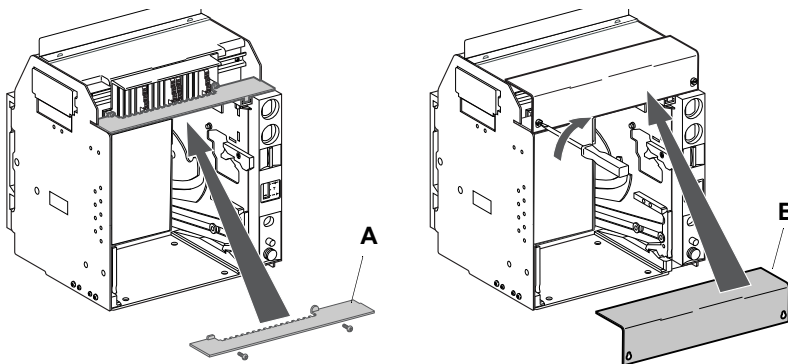
c. Instale los conductores de control.

**Figura 19 – Instalación de los conductores de control**



- d. Vuelva a colocar la cubierta del alambrado (A).
- e. Vuelva a colocar la cubierta de terminales opcional (B), si estaba instalada.

**Figura 20 – Colocación de la cubierta del alambrado**

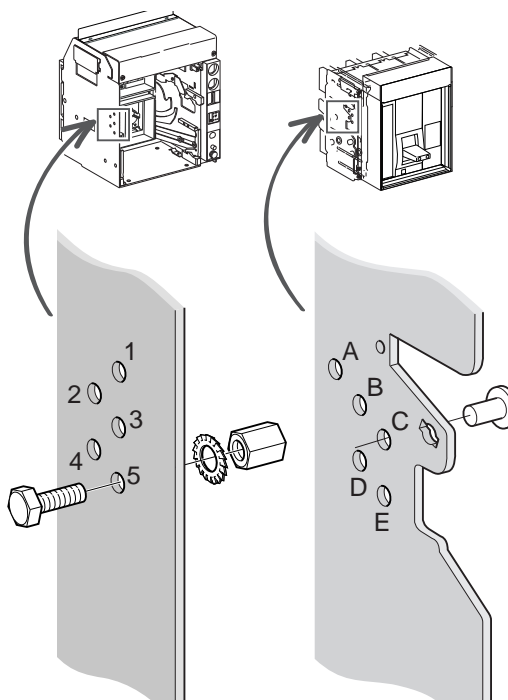


**NOTA:** Extraiga el conector de los accesorios en el orden inverso al procedimiento de instalación. Utilice un destornillador para soltar la lengüeta.

**Cómo instalar un interruptor automático**

- 1. Para prevenir la instalación en la cuna de un interruptor con capacidad de conducción o valor nominal de interrupción incorrecto, instale los pernos de rechazo en la cuna y el interruptor antes de instalar este último.
  - a. Establezca un patrón adecuado de los pernos de rechazo.

**Figura 21 – Pernos de rechazo de la cuna**

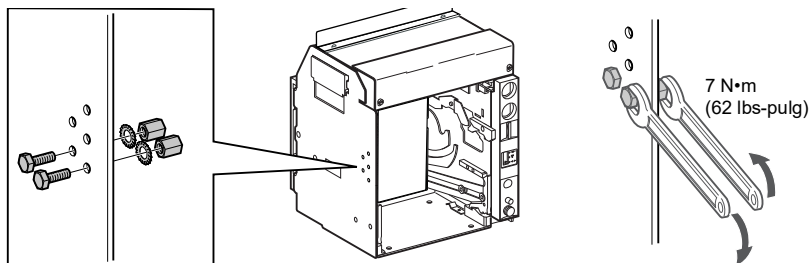


**Combinaciones de pernos posibles**

Interruptor automático	Cuna	Interruptor automático	Cuna
A, B, C	4, 5	B, C, D	1, 5
A, B, D	3, 5	B, C, E	1, 4
A, B, E	3, 4	B, C	1, 4, 5
A, B	3, 4, 5	B, D, E	1, 3
A, C, D	2, 5	B, D	1, 3, 5
A, C, E	2, 4	B, E	1, 3, 4
A, C	2, 4, 5	C, D, E	1, 2
A, D, E	2, 3	C, D	1, 2, 5
A, D	2, 3, 5	C, E	1, 2, 4
A, E	2, 3, 4	D, E	1, 2, 3

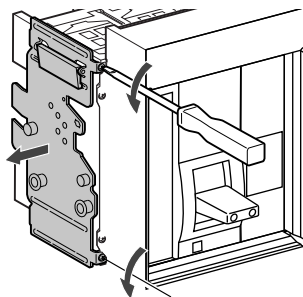
- b. Instale los pernos de rechazo de la cuna de acuerdo con el patrón establecido anteriormente.

**Figura 22 – Instalación de los pernos de rechazo de la cuna**



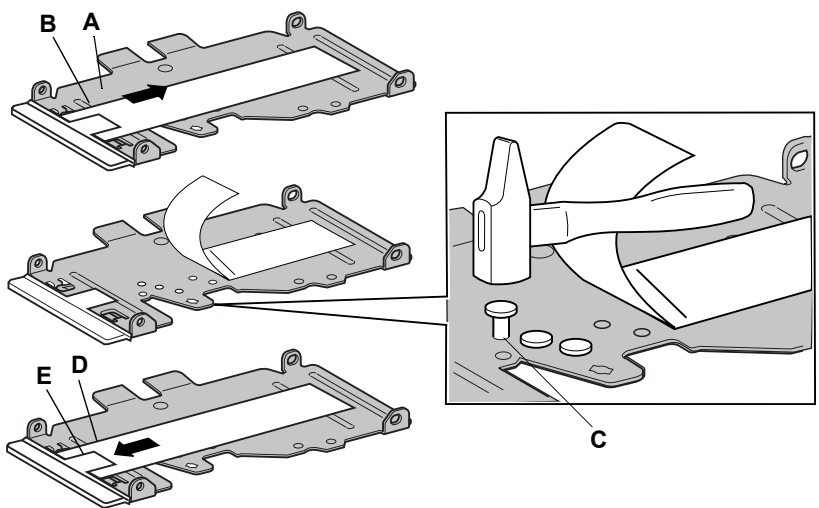
- c. Retire la placa lateral del interruptor.

**Figura 23 – Desmontaje de la placa lateral del interruptor**



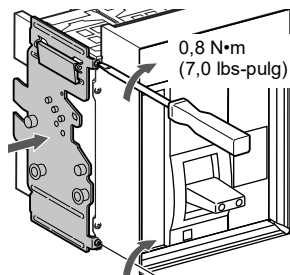
- d. Quite el papel aislante (A) de la parte inferior de la lengüeta de sujeción (B).
- e. Instale los pernos de rechazo (C) el interruptor en la placa de pernos de rechazo de acuerdo con el patrón establecido anteriormente.
- f. Vuelva a colocar el papel aislante (D) debajo de la lengüeta de sujeción (E).

**Figura 24 – Instalación de los pernos de rechazo del interruptor**



- g. Vuelva a colocar la placa lateral en el interruptor.

**Figura 25 – Instalación de la placa de pernos de rechazo**

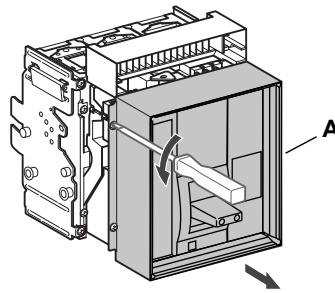


ESPAÑOL

2. Los accesorios adquiridos independientemente (no instalados de fábrica) del interruptor se deben instalar en este momento.

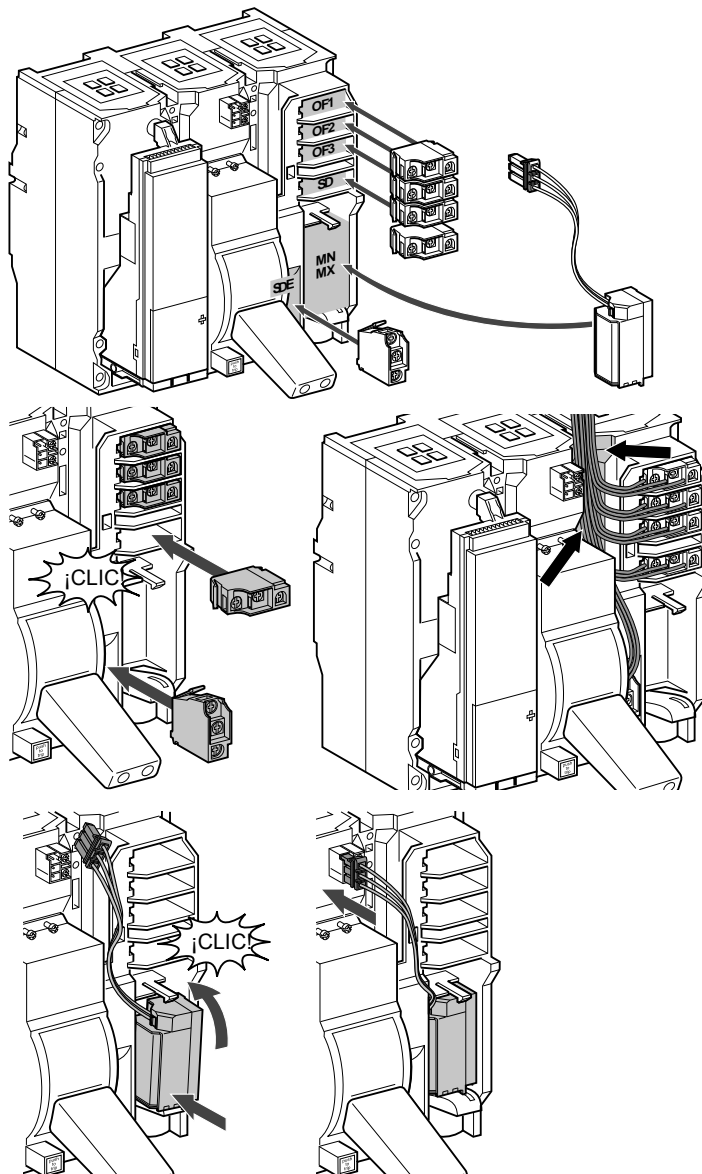
- a. Si va a instalar accesorios eléctricos, afloje los tornillos de la cubierta de accesorios (A) y desmóntela.

**Figura 26 – Instalación de los accesorios**



- b. Instale los accesorios de acuerdo con las instrucciones provistas.

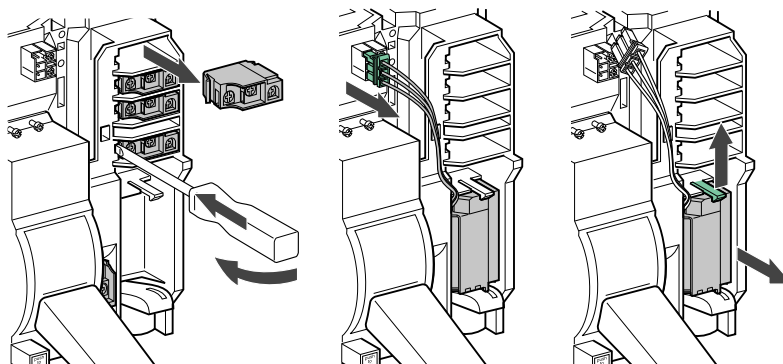
**Figura 27 – Instalación de los accesorios**





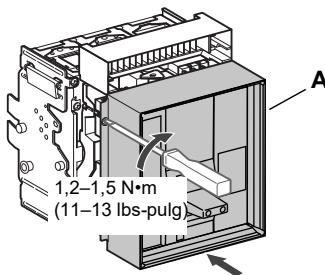
**NOTA:** Desmonte los accesorios en el orden inverso al de su instalación.

**Figura 28 – Desmontaje de los accesorios**



- c. Vuelva a colocar la cubierta de accesorios (A).

**Figura 29 – Colocación de la cubierta de accesorios**



**AVISO**

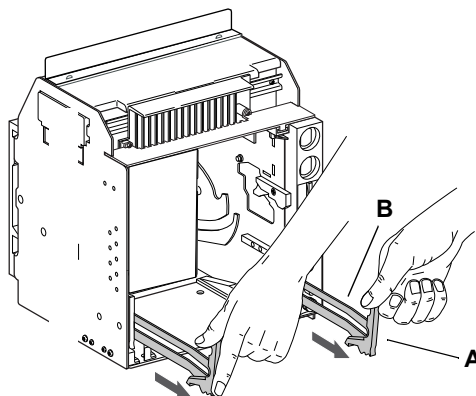
**PELIGRO DE DAÑO AL EQUIPO**

La cuna deberá estar bien sujeta durante el proceso de instalación o desmontaje del interruptor.

**El incumplimiento de estas instrucciones puede causar daño al equipo.**

- 3. Jale las palancas (A) de los rieles extensibles hasta que éstos (B) estén completamente afuera.

**Figura 30 – Extracción de los rieles**



4. Instale el interruptor en los rieles extensibles. Consulte la página 12 para conocer el procedimiento necesario para el levantamiento.

**NOTA:** La cuna deberá estar bien sujeta a una plataforma para manejo de mercancías, si no está instalada en el equipo, antes de instalar el interruptor.

5. Inspeccione las pinzas de conexión del interruptor y asegúrese de que no haga falta ninguna ni que estén desalineadas. Consulte la página 9 para obtener información sobre cómo verificar, instalar y lubricar las pinzas de conexión.
6. Empuje el interruptor, luego introduzca los rieles.
7. Conecte el interruptor. Consulte la página 28, Conexión del interruptor para obtener instrucciones sobre su conexión.

Consulte la página 26 para obtener las instrucciones sobre el funcionamiento del interruptor.

El inciso 230-95(c) del Código nacional eléctrico de EUA (NEC) y la NOM-001-SEDE requiere pruebas de los sistemas de protección contra fallas a tierra cuando se instalan por primera vez.

8. Si el interruptor automático dispone de protección contra fallas a tierra del equipo, pruebe la protección en este momento.

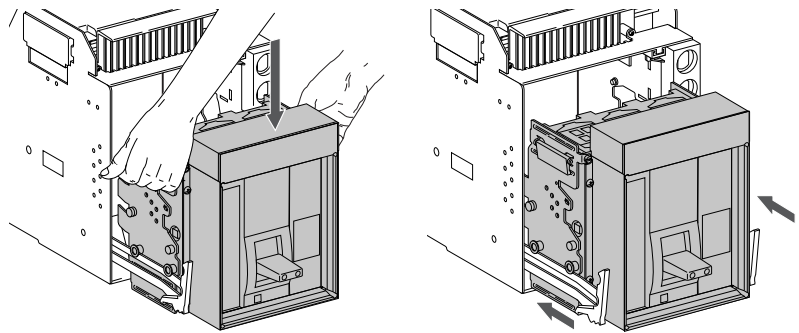
Asegúrese de que la unidad de disparo esté energizada. La unidad de disparo está energizada si:

- el interruptor está cerrado o recibe alimentación por la parte inferior y tiene más de 100 V de tensión de carga en dos fases (en las unidades de disparo P o H solamente).
- Los kits de prueba disponibles, que se encuentran en la sección 7 de El Dossier (referencia 0100CT1901), están conectados y encendidos.



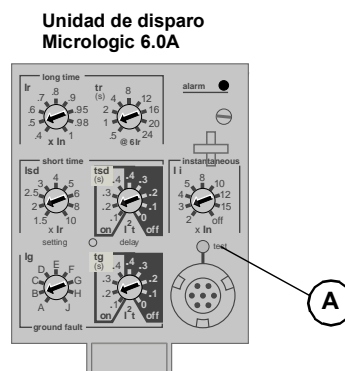
- la fuente de alimentación externa de 24 Vcd está conectada.
- una toma de tensión externa está instalada y hay más de 100 V (c.a.) en dos fases (en las unidades de disparo P o H solamente).

**Figura 31 – Instalación del interruptor automático**



**NOTA:** Si es necesario realizar una prueba completa al sistema de falla a tierra, realice una prueba de inyección primaria. Si el sistema tiene múltiples fuentes y/o se requiere conectarlo en campo, utilice una prueba de inyección primaria.

**Figura 32 – Verificación de la protección contra fallas a tierra**



Si el sistema es radial (de un solo extremo), pulse el botón de disparo por falla a tierra (A). El interruptor se disparará y se encenderá la luz indicadora de falla a tierra de la unidad de disparo.

Anote los resultados en la tabla 6.

**Tabla 6 – Resultados de la prueba por falla a tierra**

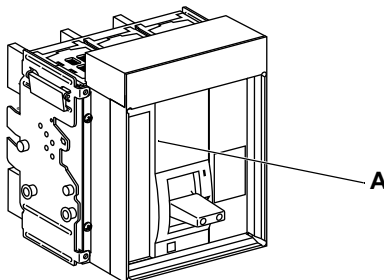
Fecha	Ajustes de la falla a tierra	Resultados de la prueba	Firma

### Unidad de disparo

Las funciones de protección, medición y comunicaciones son controladas por la unidad de disparo MicroLogic (A) instalada en el interruptor. La unidad de disparo se puede sustituir en campo para la fácil actualización de estas funciones.

Para obtener información completa sobre la unidad de disparo, sus funciones y la sustitución en campo, consulte el manual de la unidad de disparo que acompaña al interruptor.

**Figura 33 – Unidad de disparo MicroLogic**



La tabla 7 describe las funciones disponibles en las unidades de disparo MicroLogic estándar 3.0 y 5.0, las unidades de disparo 3.0A, 5.0A y 6.0A con ampérmetro, las unidades de disparo para medición de energía 5.0 P y 6.0 P y las unidades de disparo de medición de armónicos 5.0H y 6.0H.

Para obtener información completa sobre cuáles unidades de disparo están disponibles y sus funciones, consulte el catálogo de productos de la clase 613.

**Tabla 7 – Funciones y características de la unidad de disparo MicroLogic**

Función y característica	Unidad de disparo MicroLogic								
	X = Función estándar O= Función disponible								
	Estándar		Ampérmetro			Alimentación		Armónicos	
	3.0	5.0	3.0A	5.0A	6.0A	5.0P	6.0P	5.0H	6.0H
LI	X		X						
LSI		X		X		X		X	
LSIG/Disparo por falla a tierra <sup>2</sup>					X		X		X
Alarma por falla a tierra/sin disparo <sup>1,2</sup>						X		X	
Alarma por falla a tierra y disparo <sup>1,2</sup>							X		X
Calibradores ajustables	X	X	X	X	X	X	X	X	X
Detección del valor rcm verdadero	X	X	X	X	X	X	X	X	X
Registrado por UL	X	X	X	X	X	X	X	X	X
Imagen térmica	X	X	X	X	X	X	X	X	X
Gráfica de barras de carga de fases			X	X	X	X	X	X	X
LED para el valor máximo de tiempo largo	X	X	X	X	X	X	X	X	X
LED para el indicador de disparo			X	X	X	X	X	X	X
Ampérmetro digital			X	X	X	X	X	X	X
Enclavamiento selectivo de zona				X	X	X	X	X	X
Comunicaciones			O	O	O	X	X	X	X
Pantalla de LED de matriz de puntos						X	X	X	X
Interfaz de usuario avanzada						X	X	X	X
Funciones de relevador protector						X	X	X	X
Protección del neutro <sup>2</sup>						X	X	X	X
Indicación de desgaste del contacto						X	X	X	X
Afinación de los incrementos de los ajustes						X	X	X	X
Bandas de retardo de tiempo largo seleccionables						X	X	X	X

ESPAÑOL

**Tabla 7 – Funciones y características de la unidad de disparo MicroLogic (continued)**

Función y característica	Unidad de disparo MicroLogic									
	X = Función estándar O= Función disponible									
	Estándar		Ampérmetro			Alimentación		Armónicos		
	3.0	5.0	3.0A	5.0A	6.0A	5.0P	6.0P	5.0H	6.0H	
Medición de potencia						X	X	X	X	
Mediciones de calidad de la alimentación								X	X	
Captura de la forma de onda								X	X	

<sup>1</sup>Requiere módulo de contactos programables M2C o M6C.

<sup>2</sup>Requiere un transformador de corriente al neutro para el sistema de 3 fases, 4 hilos.

## Funcionamiento

### Estado del interruptor automático

La conexión o desconexión del interruptor removable requiere insertar la palanca de inserción/extracción (mientras mantiene oprimido el botón de apertura). Si hay enclavamientos, candados o una cerradura de puerta, no se puede insertar la palanca.

**⚠️ ⚠️ PELIGRO**

**PELIGRO DE DESCARGA ELÉCTRICA, EXPLOSIÓN O DESTELLO POR ARQUEO**

- Utilice equipo de protección personal (EPP) apropiado y siga las prácticas de seguridad en trabajos eléctricos establecidas por su Compañía, consulte la norma 70E de NFPA, Z462 de CSA o NOM-029-STPS.
- Solamente el personal eléctrico calificado deberá instalar y prestar servicio de mantenimiento a este equipo.

**El incumplimiento de estas instrucciones podrá causar la muerte o lesiones serias.**

**Tabla 8 – Posiciones del interruptor**

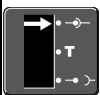
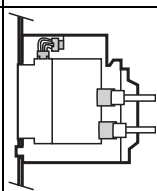
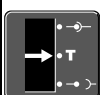
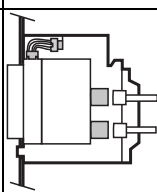
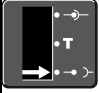
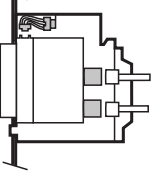

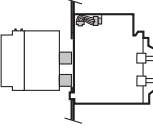
Indicador de posición	Posición del conector	Pinzas de conexión	Conectores (de control) secundarios	Estado del interruptor automático
<p>Conectado</p> 		Enganchadas	Enganchado	Puede hacerse funcionar. Listo para ponerse en servicio.
<p>Prueba</p> 		Desenganchadas	Enganchado	Puede hacerse funcionar. Se pueden realizar pruebas a los sistemas de funcionamiento y control.

Tabla 8 – Posiciones del interruptor

Indicador de posición	Posición del conector	Pinzas de conexión	Conectores (de control) secundarios	Estado del interruptor automático
Desconectado 		Desenganchadas	Desenganchado	Puede hacerse funcionar manualmente. Se puede quitar del carro.
Retirado 		Desenganchadas	Desenganchado	Desmontado del carro.

ESPAÑOL

Al cambiar la posición del interruptor, los contactos de posición cambian de estado.

Figura 34 – Funcionamiento según la posición del dispositivo

Posiciones del interruptor	Posición de desconectado	Contactos auxiliares aislados	Posición de prueba	Conectores primarios aislados	Posición de conectado
Contactos (CD) de posición desconectados	Abierto				
	Cerrado				
Contactos (CT) de posición de prueba	Abierto	Cerrado	Abierto		
	Cerrado	Abierto	Cerrado		
Contactos (CE) de posición de conectado	Abierto				
	Cerrado				

Al entrar en funcionamiento los contactos principales del interruptor, los contactos auxiliares cambian de posición.

Figura 35 – Funcionamiento de los contactos del dispositivo

	Completamente cerrado	Completamente abierto
Contactos principales	Cerrado	Abierto
Contactos (OF) de posición de abierto/cerrado	Abierto	Cerrado
	Cerrado	Abierto

Conexión del interruptor

**AVISO**

**PELIGRO DE DAÑO AL EQUIPO**

- Utilice la palanca de inserción/extracción proporcionada para insertar y extraer el interruptor de la cuna.
- No utilice herramientas eléctricas para esto.
- No continúe girando la palanca después que se haya botado el botón de paro y liberación.

**El incumplimiento de estas instrucciones puede causar daño al equipo.**

**⚠️ PELIGRO**

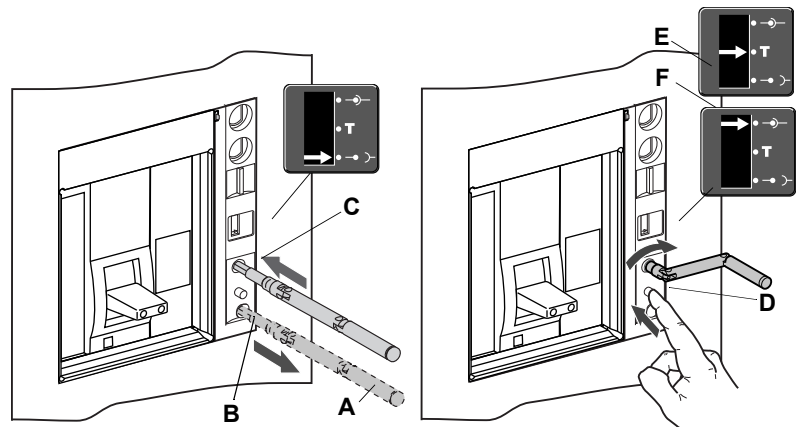
**PELIGRO DE DESCARGA ELÉCTRICA, EXPLOSIÓN O DESTELLO POR ARQUEO**

- Utilice equipo de protección personal (EPP) apropiado y siga las prácticas de seguridad en trabajos eléctricos establecidas por su Compañía, consulte la norma 70E de NFPA, Z462 de CSA o NOM-029-STPS.
- Solamente el personal eléctrico calificado deberá instalar y prestar servicio de mantenimiento a este equipo.

**El incumplimiento de estas instrucciones podrá causar la muerte o lesiones serias.**

1. Desconecte la carga de los dispositivos de desconexión secundarios.
2. Retire la palanca de inserción/extracción (A) del agujero de almacenamiento (B).
3. Inserte la palanca en la ranura de extracción (C).
4. Presione el botón de paro y liberación (D).
5. Gire la palanca de extracción en la dirección de las manecillas del reloj hasta llegar a la posición de prueba (E). El botón de paro y liberación se botará.
6. Presione el botón de paro y liberación (D).
7. Gire la palanca de extracción en dirección de las manecillas del reloj hasta llegar a la posición de conectado (F). El botón de paro y liberación se botará. Vuelva a colocar la palanca de extracción en su agujero de almacenamiento (B).
8. Vuelva a conectar la carga en los dispositivos de desconexión secundarios.

**Figura 36 – Inserción del interruptor**



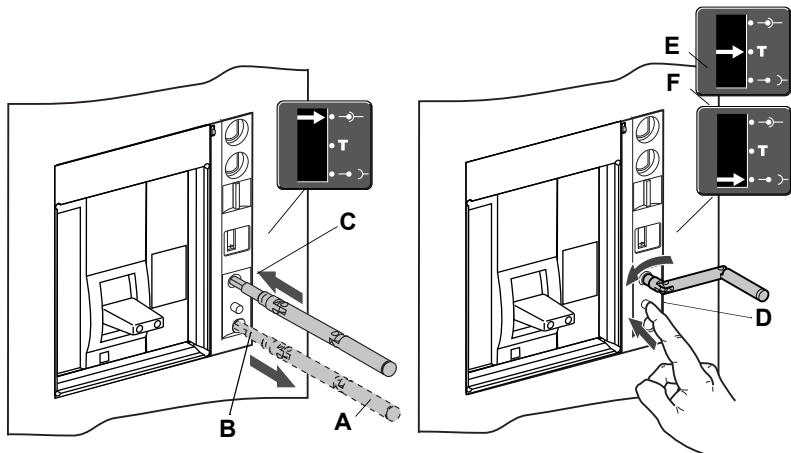
### Desconexión del interruptor

<b>AVISO</b>
<p><b>PELIGRO DE DAÑO AL EQUIPO</b></p> <ul style="list-style-type: none"> <li>• Utilice la palanca de inserción/extracción proporcionada para insertar y extraer el interruptor de la cuna.</li> <li>• No utilice herramientas eléctricas para esto.</li> <li>• No continúe girando la palanca después que se haya botado el botón de paro y liberación.</li> </ul> <p><b>El incumplimiento de estas instrucciones puede causar daño al equipo.</b></p>

<b>⚡ ⚠ PELIGRO</b>
<p><b>PELIGRO DE DESCARGA ELÉCTRICA, EXPLOSIÓN O DESTELLO POR ARQUEO</b></p> <ul style="list-style-type: none"> <li>• Solamente el personal eléctrico calificado deberá instalar y prestar servicio de mantenimiento a este equipo.</li> <li>• Esté consciente de riesgos potenciales, utilice equipo protector y tome medidas de seguridad adecuadas.</li> </ul> <p><b>El incumplimiento de estas instrucciones podrá causar la muerte o lesiones serias.</b></p>

1. Desconecte la carga de los dispositivos de desconexión secundarios
2. Retire la palanca de inserción/extracción (A) del agujero de almacenamiento (B).
3. Inserte la palanca en la ranura de extracción (C).
4. Presione el botón de paro y liberación (D). Gire la palanca de extracción en sentido contrario al de las manecillas del reloj hasta llegar a la posición de prueba (E). El botón de paro y liberación se botará.
5. Presione el botón de paro y liberación (D).
6. Gire la palanca de inserción/extracción en sentido contrario a las manecillas del reloj hasta llegar a la posición de desconectado (F). El botón de paro y liberación se botará. Vuelva a colocar la palanca de extracción en su agujero de almacenamiento (B).
7. Vuelva a conectar la carga en los dispositivos de desconexión secundarios.

Figura 37 – Extracción del interruptor



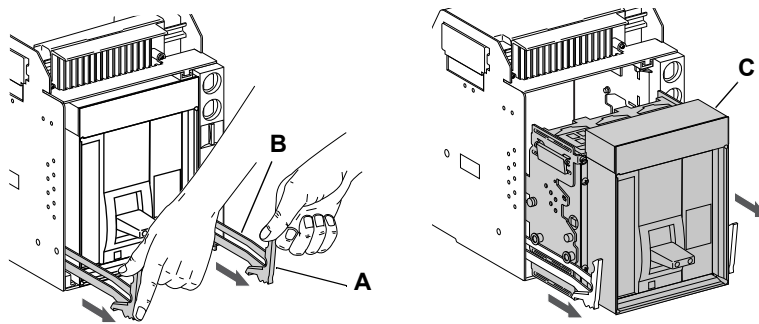
### DESMONTAJE

#### Desmontaje del interruptor automático

<b>AVISO</b>
<p><b>PELIGRO DE DAÑO AL EQUIPO</b></p> <p>La cuna deberá estar bien sujeta durante el proceso de instalación o desmontaje del interruptor.</p> <p><b>El incumplimiento de estas instrucciones puede causar daño al equipo.</b></p>

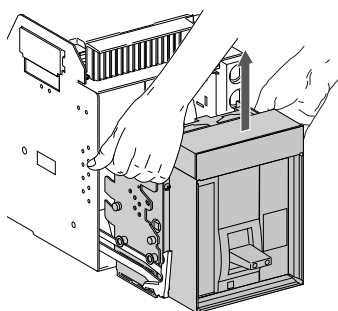
1. Desenergice el interruptor de acuerdo con las instrucciones en la página 29, Desconexión del interruptor.
2. Jale las palancas de los rieles extensibles (A) hasta que éstos (B) estén completamente afuera. Saque el interruptor (C) hasta el extremo de los rieles extensibles.

**Figura 38 – Extracción del interruptor**



3. Desmonte el interruptor de los rieles. Utilice los métodos de levantamiento detallados en la página 12.

**Figura 39 – Desmontaje del interruptor**



**Desmontaje de la cuna**

1. Desenergice el equipo antes de realizar cualquier trabajo en él.
2. Quite la cuna en el orden inverso al de su instalación.

**⚠️ ⚠️ PELIGRO**

**PELIGRO DE DESCARGA ELÉCTRICA, EXPLOSIÓN O DESTELLO POR ARQUEO**

- Utilice equipo de protección personal (EPP) apropiado y siga las prácticas de seguridad en trabajos eléctricos establecidas por su Compañía, consulte la norma 70E de NFPA,Z462 de CSA o NOM-029-STPS.
- Solamente el personal eléctrico calificado deberá instalar y prestar servicio de mantenimiento a este equipo.
- Desenergice el equipo antes de realizar cualquier trabajo dentro o fuera de él.
- Siempre utilice un dispositivo detector de tensión nominal adecuado para confirmar la desenergización del equipo.
- Vuelva a colocar todos los dispositivos, las puertas y las cubiertas antes de volver a energizar el equipo.

**El incumplimiento de estas instrucciones podrá causar la muerte o lesiones serias.**

ESPAÑOL



## Dimensiones

### Características del gabinete

Tabla 9 – Dimensiones del gabinete

Dimensiones del gabinete del interruptor (alto x ancho x profundidad)		Área de ventilación			
		Parte superior		Parte inferior	
pulg	mm	pulg <sup>2</sup>	mm <sup>2</sup>	pulg <sup>2</sup>	mm <sup>2</sup>
18,25 x 13 x 9,5	463,6 x 330,2 x 241,3	9	5 806	9	5 806

## Dimensiones del corte de la puerta

Figura 40 – Corte de la puerta del interruptor removible de 3 polos, 800-1 200 A

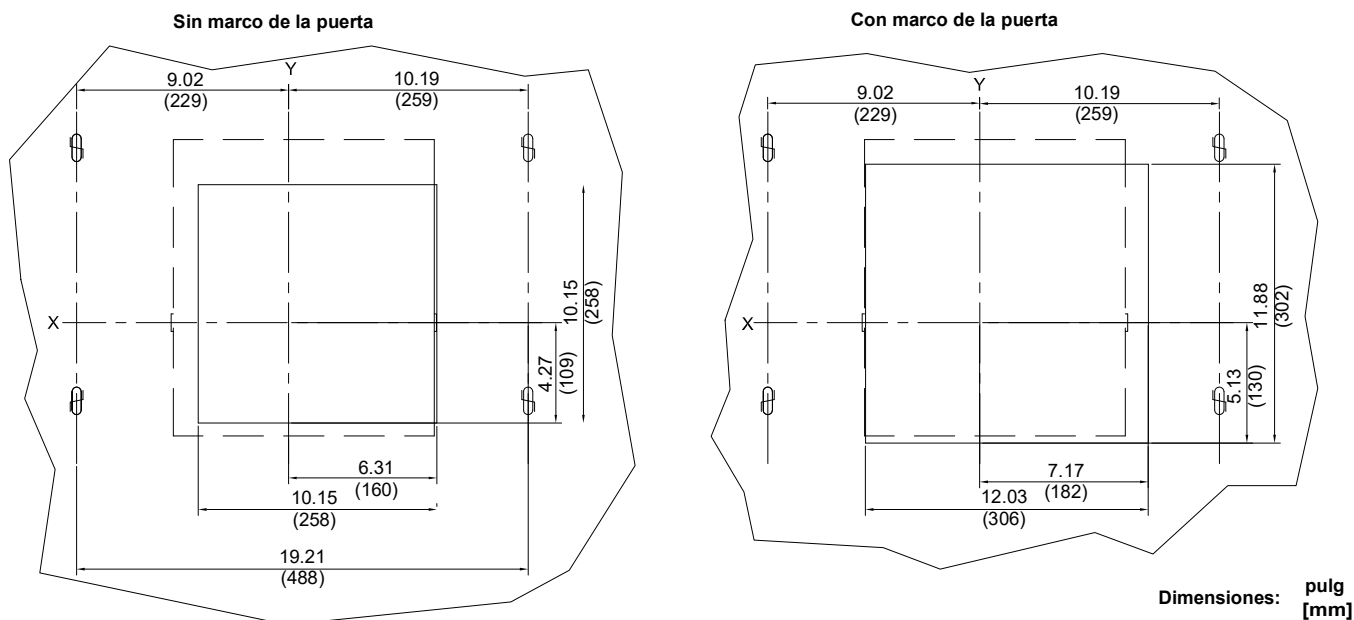
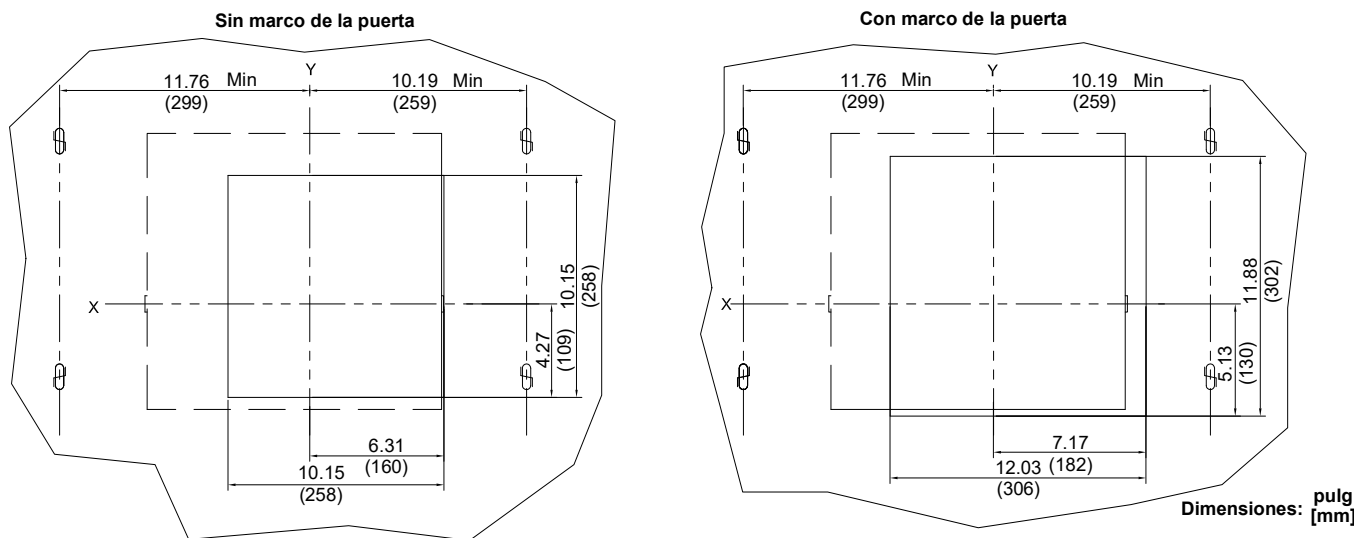


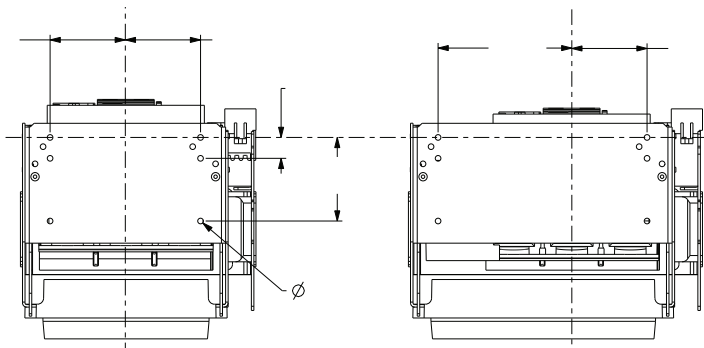
Figura 41 – Corte de la puerta del interruptor removible de 4 polos, 800-1 200 A



ESPAÑOL

**Dimensiones de montaje horizontal**

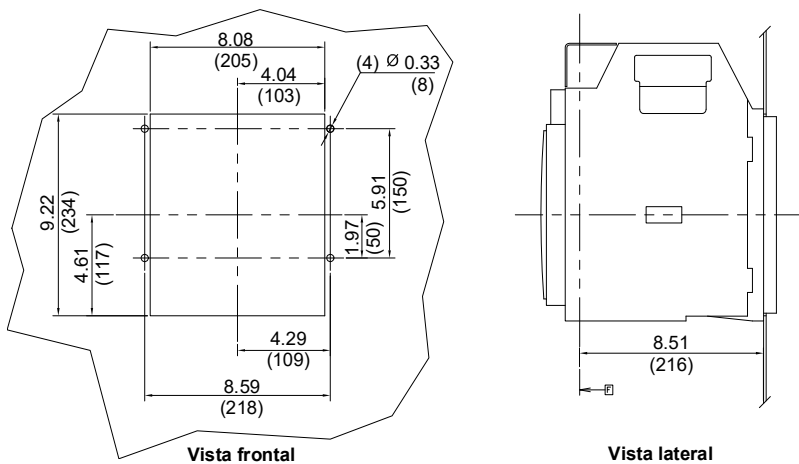
**Figura 42 – Agujeros de montaje horizontal de la cuna**



Dimensiones: pulg [mm]

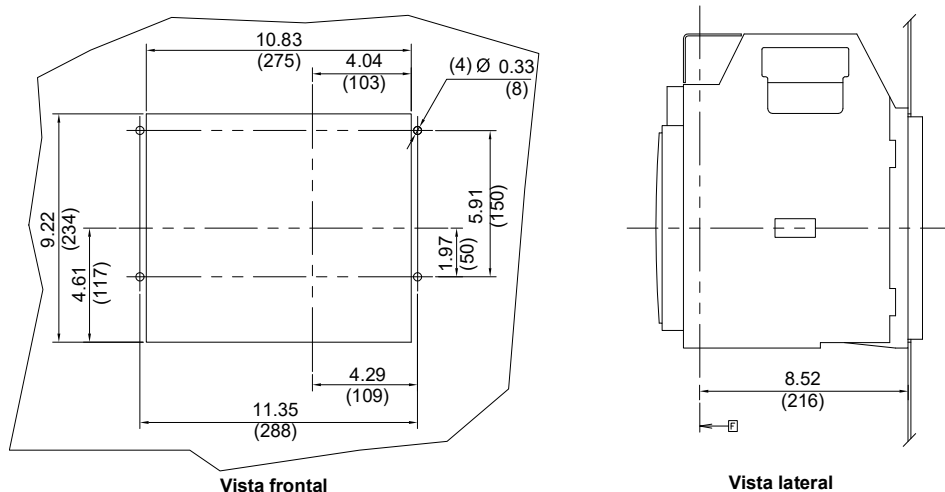
**Dimensiones del corte posterior**

**Figura 43 – Corte posterior del interruptor removible de 3 polos, 800-1 200 A**



Dimensiones: pulg [mm]

**Figura 44 – Corte posterior del interruptor removible de 4 polos**



Dimensiones: pulg [mm]

**Dimensiones del interruptor y de la cuna**

**Figura 45 – Interruptor removible de 3 polos y cuna**

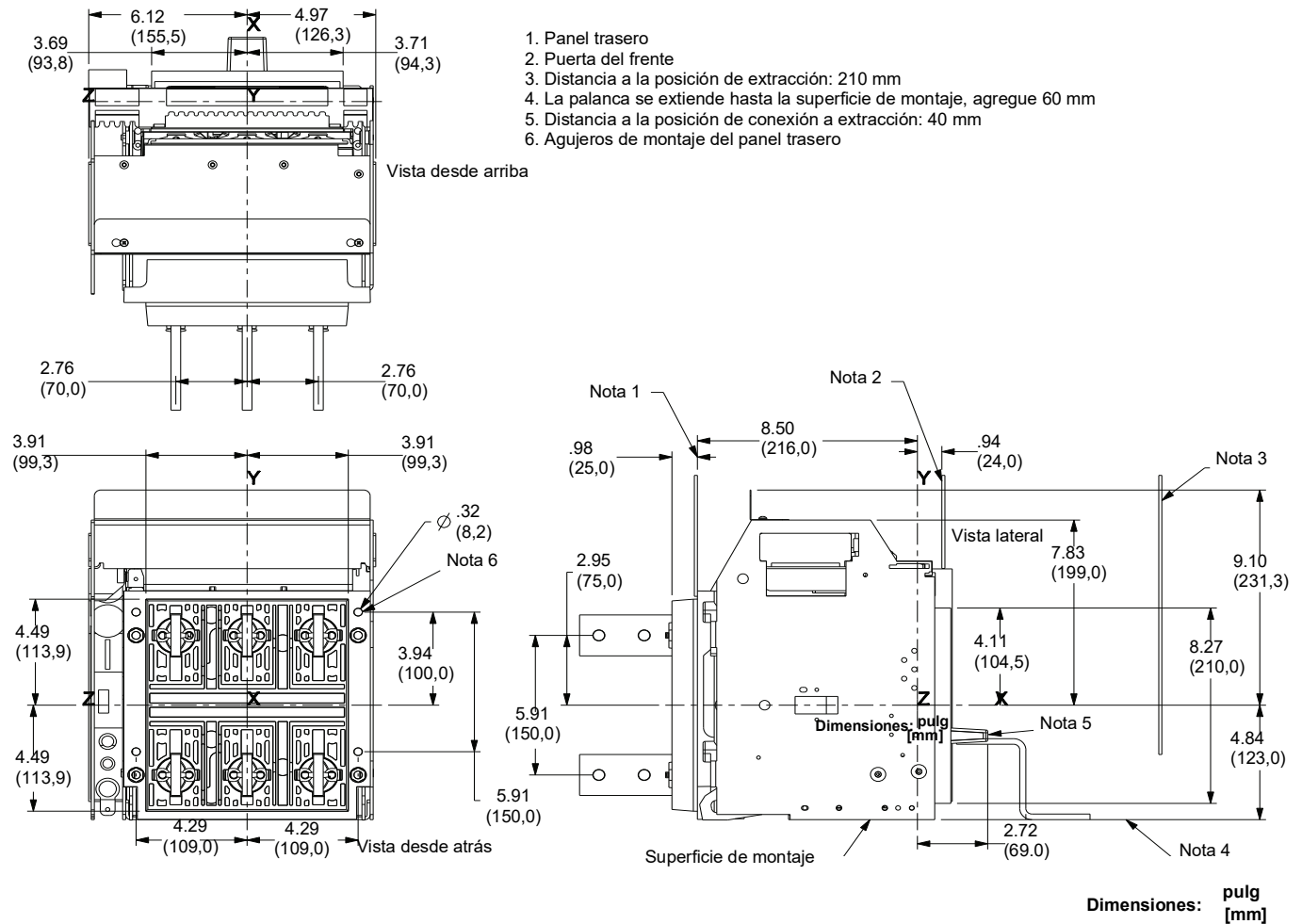
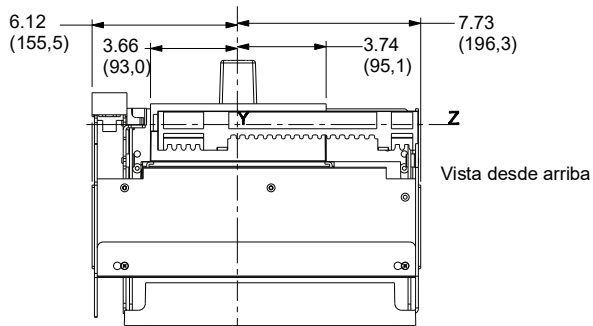
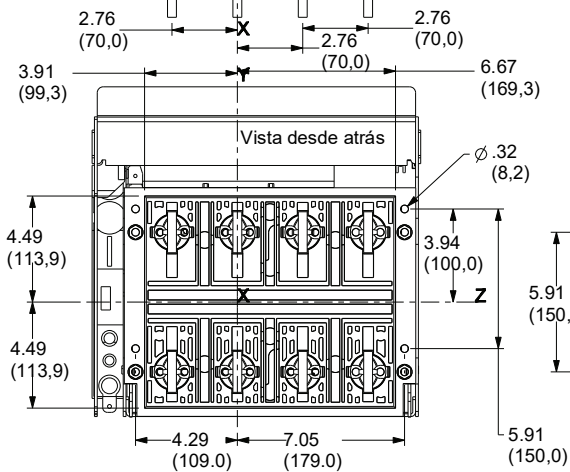


Figura 46 – Interruptor removible de 4 polos y cuna



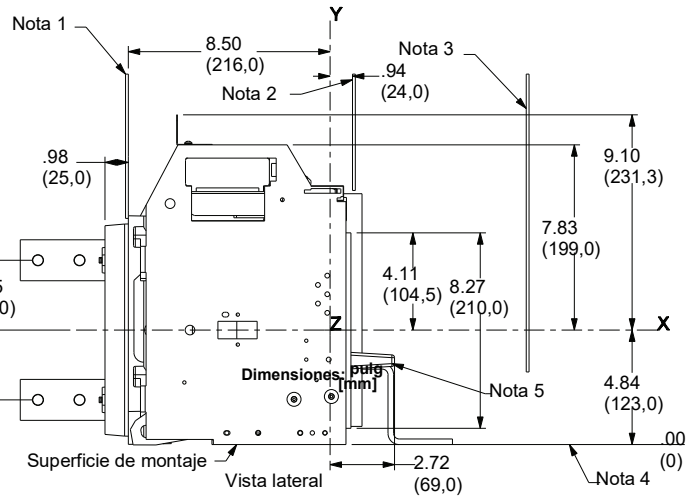
1. Panel trasero
2. Puerta del frente
3. Distancia a la posición de extracción: 210 mm
4. La palanca se extiende hasta la superficie de montaje, agregue 60 mm
5. Distancia a la posición de conexión a extracción: 40 mm
6. Agujeros de montaje del panel trasero

Vista desde arriba



Vista desde atrás

Vue Arrière



Nota 1

Y

Nota 2

Nota 3

Nota 4

Nota 5

.98 (25,0)

2.95 (75,0)

5.91 (150,0)

8.50 (216,0)

9.10 (231,3)

7.83 (199,0)

4.11 (104,5)

8.27 (210,0)

4.84 (123,0)

2.72 (69,0)

0.00 (0)

Superficie de montaje

Vista lateral

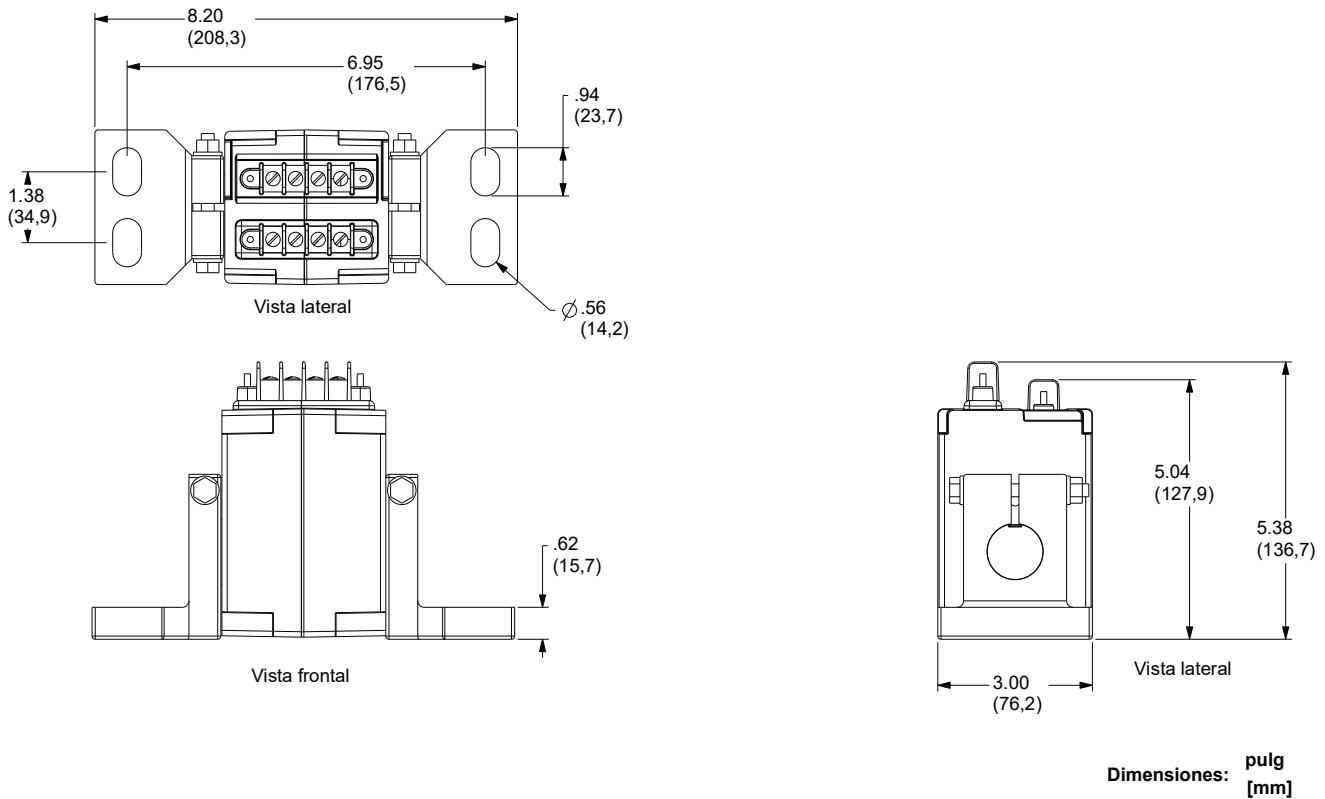
Dimensiones [mm]

Dimensiones: pulg [mm]

ESPAÑOL

**Dimensiones de los transformadores de corriente al neutro**

**Figura 47 – Transformador de corriente al neutro externo**



ESPAÑOL

Importado en México por:  
**Schneider Electric México, S.A. de C.V.**  
 Av. Ejercito Nacional No. 904  
 Col. Palmas, Polanco 11560 México, D.F.

Solamente el personal calificado deberá instalar, hacer funcionar y prestar servicios de mantenimiento al equipo eléctrico. Schneider Electric no asume responsabilidad alguna por las consecuencias emergentes de la utilización de este material.

Schneider Electric, Square D, PowerPact y Micrologic son marcas comerciales de Schneider Electric Industries SAS o sus compañías afiliadas. Todas las otras marcas comerciales son propiedad de sus respectivos propietarios.

# Disjoncteurs PowerPacT<sup>MC</sup> débrochables à châssis P

**Classe 612**

**Directives d'utilisation**

48049-336-02  
Rev. 04, 06/2023

À conserver pour usage ultérieur.

FRANÇAIS

## Information de sécurité

Lisez attentivement ces directives et examinez l'appareillage pour vous familiariser avec son fonctionnement avant de faire son installation ou son entretien. Les messages spéciaux suivants peuvent apparaître dans les présentes directives ou sur l'appareil pour avertir l'utilisateur de dangers potentiels ou pour attirer l'attention sur des informations qui clarifient ou simplifient une procédure.



L'ajout d'un de ces deux symboles à une étiquette de sécurité de « Danger » ou d'« Avertissement » indique qu'un danger électrique existe et qu'il peut entraîner des blessures corporelles si les directives ne sont pas respectées.



Ceci est le symbole d'alerte de sécurité. Il est utilisé pour vous alerter de dangers de blessures corporelles potentielles. Veuillez vous conformer à tous les messages de sécurité qui suivent ce symbole pour éviter une blessure ou la mort.

### **DANGER**

**DANGER** indique une situation de danger imminent qui, si elle n'est pas évitée **entraînera** la mort ou des blessures graves.

### **AVERTISSEMENT**

**AVERTISSEMENT** indique une situation de danger potentiel qui, si elle n'est pas évitée, **peut entraîner** la mort ou des blessures graves.

### **ATTENTION**

**ATTENTION** indique une situation de danger potentiel qui, si elle n'est pas évitée, **peut entraîner** des blessures mineures ou modérées.


### **AVIS**

**AVIS** est utilisé pour commenter des pratiques sans rapport avec les blessures physiques. Le symbole d'alerte de sécurité n'est pas employé avec ce mot de signalement.

## Veillez noter

Seul un personnel qualifié doit effectuer l'installation, l'utilisation, l'entretien et la maintenance du matériel électrique. Schneider Electric n'assume aucune responsabilité des conséquences éventuelles découlant de l'utilisation de cette documentation.

Une personne qualifiée est une personne disposant de compétences et de connaissances dans le domaine de la construction et du fonctionnement des équipements électriques et installations et ayant bénéficié d'une formation de sécurité afin de reconnaître et d'éviter les risques encourus.

 **AVERTISSEMENT**: Ce produit peut vous exposer à des agents chimiques, y compris DINP, identifiés par l'État de Californie comme pouvant causer le cancer et DIDP, identifiés par l'État de Californie comme pouvant causer des malformations congénitales ou autres troubles de l'appareil reproducteur. Pour de plus amples informations, prière de consulter: [www.P65Warnings.ca.gov](http://www.P65Warnings.ca.gov).

## Introduction

Le disjoncteur débrochable à châssis P est conçu pour être monté dans un berceau débrochable, à l'aide de connexions montées à l'arrière et enfichables par pression, afin de fournir la connexion électrique au berceau.

Les fonctions de déclenchement sont commandées par le déclencheur électronique MicroLogic<sup>MC</sup>. Pour obtenir des informations supplémentaires, consulter les guides de l'utilisateur suivants sur le site Web de Schneider Electric<sup>MC</sup>.

- Catalogue 0612CT0101 : *Disjoncteurs PowerPacT<sup>MC</sup> à châssis M, P et R*
- Directives n° 06131B1315: *MasterPacT NT/NW et PowerPacT<sup>MC</sup> à châssis P et R - Guide de communication Modbus*
- Directives n° 06121B1201: *Plans d'encombrement des disjoncteurs PowerPacT<sup>MC</sup>*
- Directives n° 48049-136-05 : *Déclencheurs électroniques MicroLogic 2.0A, 3.0A, 5.0A et 6.0A*
- Directives n° 48049-330-03 : *Déclencheurs électroniques MicroLogic 5.0H et 6.0H*
- Directives n° 48049-137-05 : *Déclencheurs électroniques MicroLogic 5.0P et 6.0P*
- Directives n° 48049-207-05 : *Déclencheurs électroniques MicroLogic 2.0, 3.0 et 5.0*

Pour accéder à notre site Web aller à :

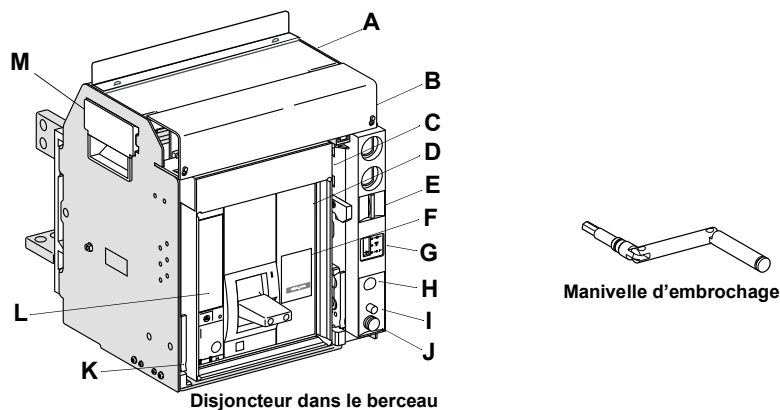
<http://www.se.com>

Pour une assistance concernant les applications, appeler le 1-888-778-2733 (É.-U.).

## Configuration

- A. Berceau
- B. Couvercle de bornes
- C. Disjoncteur
- D. Couvercle des accessoires
- E. Option de cadenas
- F. Plaque avant
- G. Indicateur de position
- H. Trou d'insertion de la manivelle d'embrochage
- I. Bouton Arrêt-dégagement
- J. Espace de rangement de la manivelle
- K. Poignée du rail d'extension
- L. Déclencheur
- M. Pattes de levage

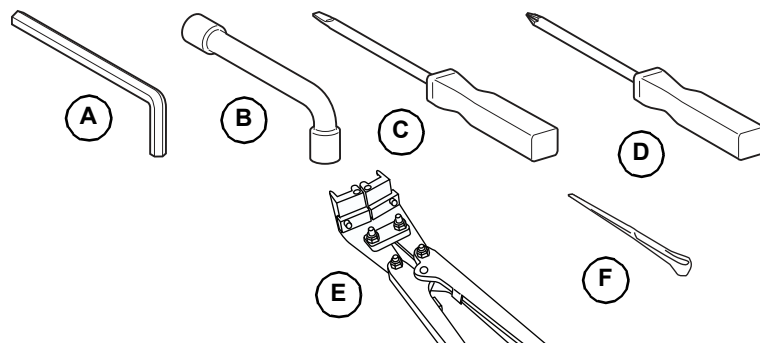
Figure 1 – Disjoncteur et berceau



## Outils requis

- A. Clé hexagonale, 6 mm
- B. Clé à douille angulaire, 3/8 po (9,5 mm)
- C. Tournevis à lame droite (Pozidriv<sup>®</sup> n° 2 ou 3, à fente)
- D. Tournevis Torx<sup>®</sup> 20
- E. Outil de positionnement de groupes de connecteurs, n° de cat. S47542
- F. Outil d'insertion de fils Wago, n° de pièce Wago 209-129

Figure 2 – Outils



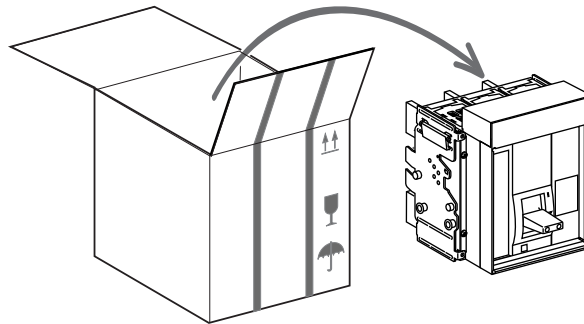


## Déballage

### Déballage du disjoncteur

Enlever le disjoncteur du boîtier.

Figure 3 – Déballage du disjoncteur

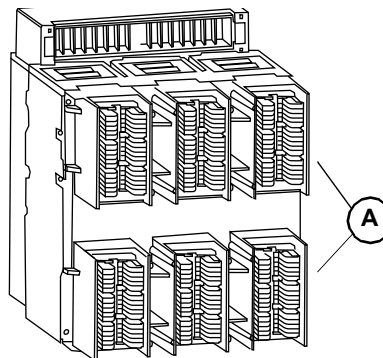


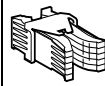
## Inspection, remplacement et lubrification des groupes de connecteurs

### Inspection des groupes de connecteurs

1. Inspecter les groupes de connecteurs (A) situés à l'arrière du disjoncteur. S'assurer que les groupes de connecteurs sont installés correctement comme indiqué à la figure 4.
2. Faire une inspection visuelle des groupes de connecteurs pour détecter des signes d'endommagement de ce type :
  - Des zones décolorées
  - Du cuivre visible sur les doigts
  - Des ressorts fêlés ou cassés

Figure 4 – Groupe de connecteurs



	Groupes de connecteurs par pôle
NT08	6
NT10	6
NT12	6

## AVIS

### RISQUE DE DOMMAGES MATÉRIELS

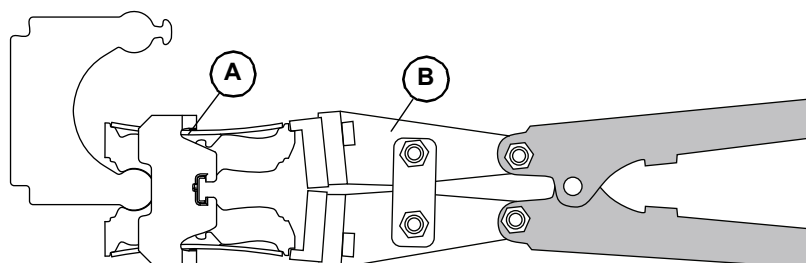
- Si des groupes de connecteurs sont retirés pour quelque raison que ce soit, les groupes de connecteurs doivent être installés à l'aide de l'outil de positionnement S47542.
- Lubrifiez les groupes de connecteurs comme indiqué dans la section « Application de graisse sur les groupes de connecteurs » à la page 10.
- Installez uniquement une pièce de barre-bus d'une largeur de 3/8 po (9,5 mm).

**Le fait de ne pas suivre ces instructions peut endommager l'équipement.**

### Remplacement des groupes de connecteurs

1. Enlever les groupes de connecteurs usés ou endommagés.
2. Installer des groupes de connecteurs neufs (A) à l'aide de l'outil de positionnement S47542 (B).

Figure 5 – Remplacement des groupes de connecteurs



## Lubrification des groupes de connecteurs

### AVIS

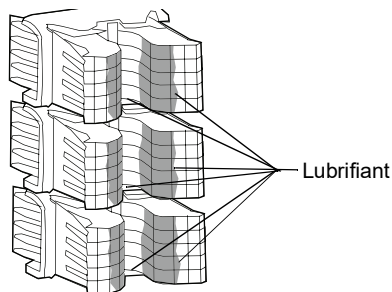
#### RISQUE DE DOMMAGES MATÉRIELS

Inspectez la lubrification des groupes de connecteurs lorsque le disjoncteur est retiré du berceau.

**Le fait de ne pas suivre ces instructions peut endommager l'équipement.**

Lubrifier les mâchoires des groupes de connecteurs avec de la graisse numéro de kit S48899, comme indiqué dans la figure 6.

Figure 6 – Application de graisse sur le groupe de connecteurs



## Lubrification des lames de connexion du berceau

Les lames de connexion du berceau doivent être inspectées et lubrifiées lorsque le berceau est installé pour la première fois et de nouveau durant les périodes d'entretien après avoir déconnecté toute alimentation électrique.

### ⚠ ⚠ DANGER

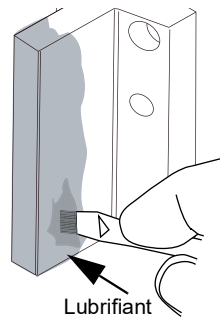
#### RISQUE D'ÉLECTROCUTION, D'EXPLOSION OU ÉCLAIR D'ARC ÉLECTRIQUE

- Portez un équipement de protection personnelle (ÉPP) approprié et observez les méthodes de travail électrique sécuritaire. Voir NFPA 70E, CSA Z462 ou NOM-029-STPS.
- Seul un personnel qualifié doit effectuer l'installation et l'entretien de cet appareil.
- Coupez toutes les alimentations de l'appareil avant d'y travailler.
- Utilisez toujours un dispositif de détection de tension à valeur nominale appropriée pour vous assurer que l'alimentation est coupée.
- Remplacez tous les dispositifs, les portes et les couvercles avant de mettre l'appareil sous tension.

**Le fait de ne pas suivre ces instructions entraînera des blessures graves, voire mortelles.**

S'assurer que les lames de connexion sont lubrifiées sur les deux côtés. Si nécessaire, utiliser le kit de graisse (n° de catalogue S48899) pour lubrifier les lames de connexion.

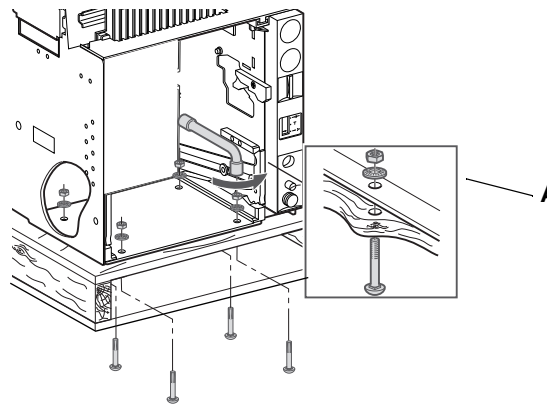
Figure 7 – Application de graisse sur les lames de connexion du berceau



### Déballage du berceau

Enlever les quatre boulons, écrous et rondelles (A) fixant le berceau à la palette.

Figure 8 – Retrait des boulons du berceau



### Levage et transport

## ⚠ ATTENTION

### RISQUE DE CHUTE DU DISPOSITIF

- Il faut toujours deux personnes pour soulever le dispositif.
- Portez un casque de protection, des chaussures de sécurité et des gants épais.

**Le fait de ne pas suivre ces instructions peut entraîner une blessure ou endommager l'équipement**

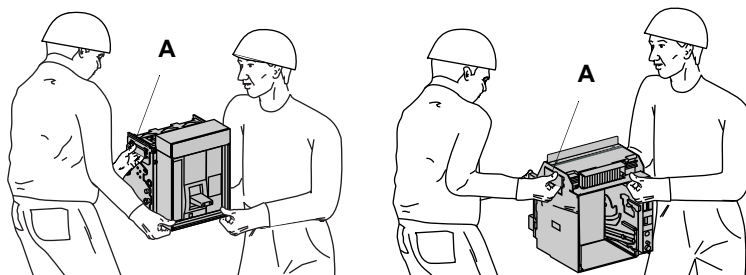
Tableau 1 – Poids

Type de connecteur	Poids (lb/kg)								
	Disjoncteur		Berceau		Connecteur		Palette	Total	
	3P	4P	3P	4P	3P	4P		3P	4P
FCF	40 / 18	52 / 24	36 / 16	43 / 20	15 / 7	20 / 9	10 / 5	101 / 46	125 / 57
RCTH/RCTV	40 / 18	52 / 24	36 / 16	43 / 20	6 / 3	8 / 4	10 / 5	92 / 42	113 / 51

Le levage demande deux personnes, une de chaque côté.

Soulever le disjoncteur et le berceau à l'aide des pattes de levage (A) situées sur le côté du dispositif.

Figure 9 – Levage de disjoncteur ou berceau



## Installation

L'appareil est normalement expédié avec les berceaux installés et les disjoncteurs sont expédiés séparément.

Pour les appareils sans berceaux, installer les berceaux comme décrit ci-dessous.

Pour les appareils avec berceaux, voir la page 20 pour l'installation du disjoncteur.

### **⚠ ⚠ DANGER**

#### **RISQUE D'ÉLECTROCUTION, D'EXPLOSION OU ÉCLAIR D'ARC ÉLECTRIQUE**

- Portez un équipement de protection personnelle (ÉPP) approprié et observez les méthodes de travail électrique sécuritaire. Voir NFPA 70E, CSA Z462 ou NOM-029-STPS.
- Seul un personnel qualifié doit effectuer l'installation et l'entretien de cet appareil.
- Coupez toutes les alimentations de l'appareil avant d'y travailler.
- Utilisez toujours un dispositif de détection de tension à valeur nominale appropriée pour vous assurer que l'alimentation est coupée.
- Remplacez tous les dispositifs, les portes et les couvercles avant de mettre l'appareil sous tension.

**Le fait de ne pas suivre ces instructions entraînera des blessures graves, voire mortelles.**

## Installation du berceau

**REMARQUE :** Ne pas poser d'outils ou autres matériaux sur le dessus du berceau.

1. Installer à ce moment-ci les accessoires du berceau non achetés comme appareil installé à l'usine.

### **⚠ ⚠ DANGER**

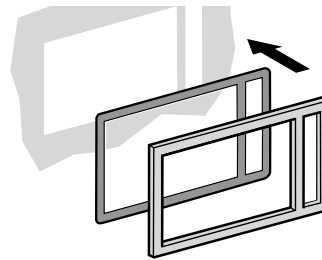
#### **RISQUE D'ÉLECTROCUTION, D'EXPLOSION OU ÉCLAIR D'ARC ÉLECTRIQUE**

Ne posez pas d'outils ou autres matériaux sur le dessus du berceau.

**Le fait de ne pas suivre ces instructions entraînera des blessures graves, voire mortelles.**

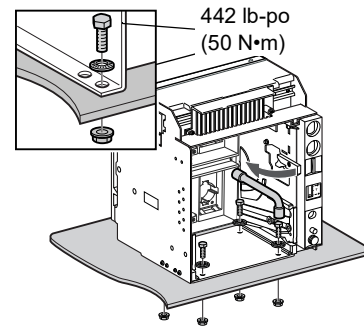
2. Si l'appareil comporte un découpage de porte, installer le cache-entrée de porte expédié avec le berceau.
  - a. Si elle n'existe pas déjà, découper une ouverture dans la porte de l'appareil pour le cache-entrée de porte. Voir Dimensions à la page 31 pour les dimensions d'ouverture.
  - b. Installer le cache-entrée de porte.

Figure 10 – Installation du cache-entrée de porte



3. Fixer le berceau.
  - a. Couper l'alimentation de l'appareil avant d'y travailler.
  - b. Si les trous de montage n'existent pas déjà, les percer dans la cuve pour monter le berceau. Voir Dimensions à la page 31 pour la configuration des trous de montage du berceau.
  - c. Vérifier si la surface de montage est bien plate. La surface doit être plate avec une tolérance de 2 mm (0,08 po).
  - d. Fixer le berceau à la cuve, à l'aide de boulons de 3/8 po (9,5 mm), de rondelles et d'écrous.

Figure 11 – Fixation du berceau



## ⚠ ⚠ DANGER

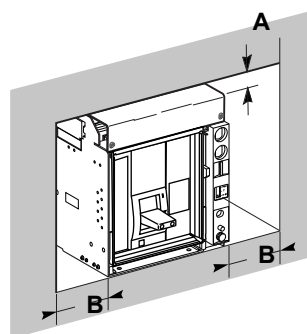
### RISQUE D'ÉLECTROCUTION, D'EXPLOSION OU ÉCLAIR D'ARC ÉLECTRIQUE

Les exigences d'espace doivent être respectées pour obtenir un bon fonctionnement de l'appareil.

**Le fait de ne pas suivre ces instructions entrainera des blessures graves, voire mortelles.**

4. Vérifier les dégagements.

Tableau 2 – Exigences d'espace



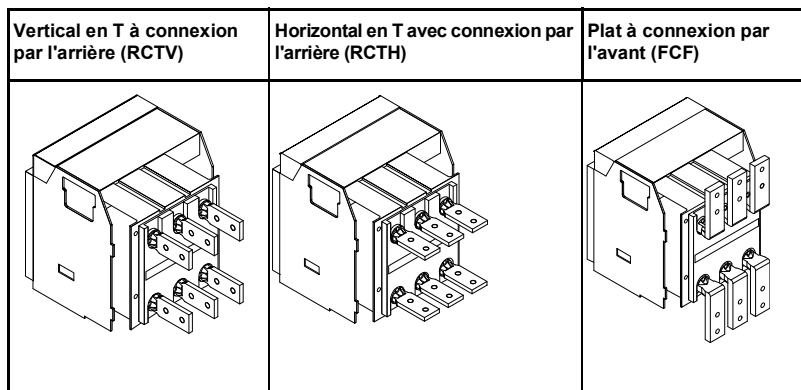
Espace minimal	A		B	
	po	mm	po	mm
Pièces isolées	1,3	33	0,4	10
Pièces métalliques	1,3	33	0,4	10

5. Installer les connecteurs.

Les connecteurs standard sont indiqués dans le tableau 3. Pour des renseignements au sujet des connecteurs non standards, contacter le service à la clientèle.

Pour les dimensions des connecteurs, voir la page 31.

**Tableau 3 – Connecteurs standard**



6. Installer les barres-bus.

Les exigences des barres-bus du disjoncteur et des connecteurs sont indiquées au tableau 4.

**REMARQUE :** L'installateur est responsable du câblage des barres-bus vers les connecteurs. Les barres-bus doivent être supportées par l'ossature de l'appareillage de commutation, sans aucun poids sur les connecteurs. Les supports de barre-bus doivent être renforcés afin d'éviter que la force des courts-circuits n'entraîne une déviation des connecteurs.

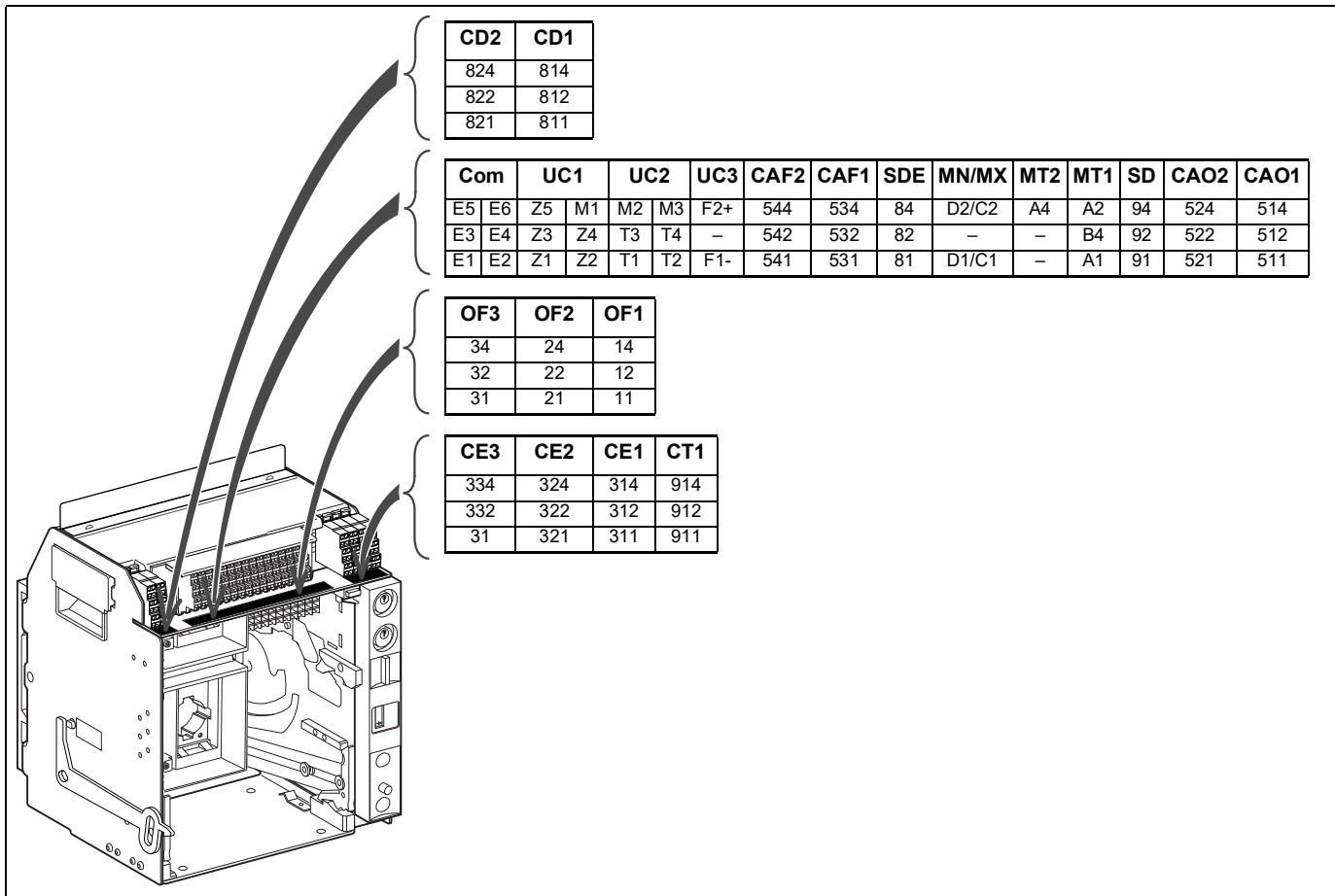
**Tableau 4 – Taille de barre-bus requise**

Val. nom. du disjoncteur	Type de connecteur	Barre-bus par connecteur	
		Nombre	Taille
800 A	RCTV	1	0,25 x 3 po (6 x 76 mm)
	RCTH	2	0,25 x 1,5 po (6 x 38 mm)
	FCF	3	0,25 x 1,5 po (6 x 38 mm)
1200 A	RCTV	1	0,25 x 3 po (6 x 76 mm)
	RCTH	3	0,25 x 1,5 po (6 x 38 mm)
	FCF	4	0,25 x 1,5 po (6 x 38 mm)

7. Installer les connecteurs des accessoires.

FRANÇAIS

Tableau 5 – Disposition des bornes pour l'installation des connecteurs-poussoirs



FRANÇAIS

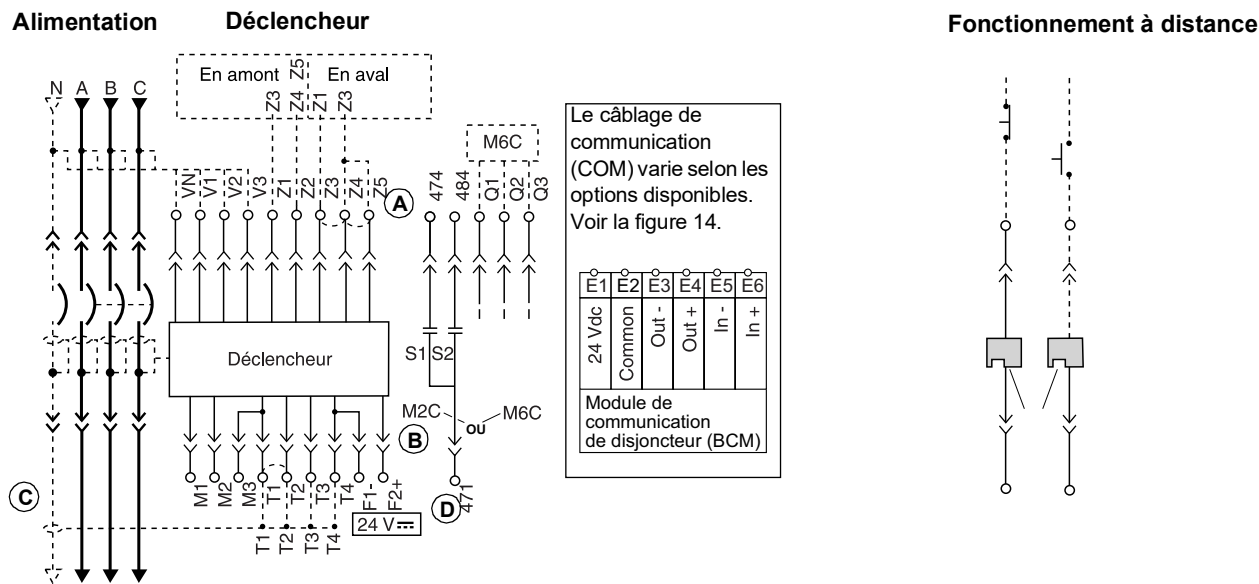
Fonction	Connecteur	Description
Contacts auxiliaires	OF	Contacts de la position ouvert/fermé du disjoncteur ou d'interrupteur
Contacts de la manette rotative	CAO	Contact à ouverture avancée
	CAF	Contact à fermeture avancée
Contacts du berceau	CD	Contacts de position déconnectée
	CE	Contacts de position connectée
	CT	Contacts de position d'essai
Fonctionnement à distance	SDE	Contact d'alarme de défaut électrique
	SD	Contact d'alarme
	MN	Déclencheur sur baisse de tension
	MX*	Déclencheur shunt

\* Lorsque des bobines de communication MXF sont utilisées, la borne C3 doit être connectée à la ligne même si le module de communication n'est pas installé.

Type de déclencheur				Connecteur	Description
De base	A	P	H		
-	•	•	•	Com : E1-E6	Communication
-	•	•	•	UC1 : Z	Interverrouillage sélectif de zone Z1 = signal de sortie (OUT) ZSI Z2 = sortie (OUT) ZSI Z3 = signal d'entrée (IN) ZSI Z4 = retard de courte durée d'entrée ZSI Z5 = défaut de mise à la terre d'entrée ZSI
-	•	•	•	UC1 : M1	Défaut à la terre différentiel modifié (MDGF)
-	•	•	•	UC2 : T	Neutre externe
-	•	•	•	UC2 : M	Défaut à la terre différentiel modifié (MDGF)
-	•	•	•	UC3 : F	Alimentation externe 24 Vcc (F1 -, F2 +)
-	-	•	•	UC3 : Vn	Prise neutre externe

**REMARQUE :** Tous les schémas indiquent un disjoncteur ouvert, connecté et armé.

Figure 12 – Schémas de câblage pour les connexions auxiliaires



- A—Ne pas retirer les cavaliers installés à l'usine entre Z3, Z4 et Z5 sauf si ZSI est raccordée.
- B—Ne pas retirer le cavalier installé à l'usine entre T1 et T2 sauf si le TC de neutre est raccordé. Ne pas installer un cavalier entre T3 et T4.
- C—Pour obtenir un câblage approprié du TC de neutre, se reporter aux schémas de câblage, page 19.
- D—L'alimentation 24 Vcc du déclencheur doit être séparée et isolée de l'alimentation 24 Vcc des modules de communication.

Figure 13 – Schémas de câblage pour les connexions auxiliaires

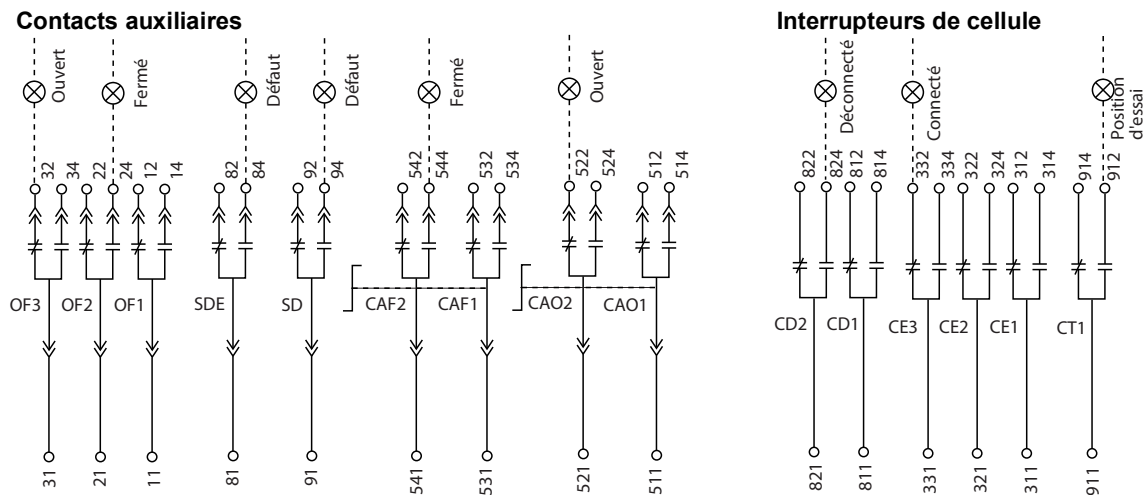
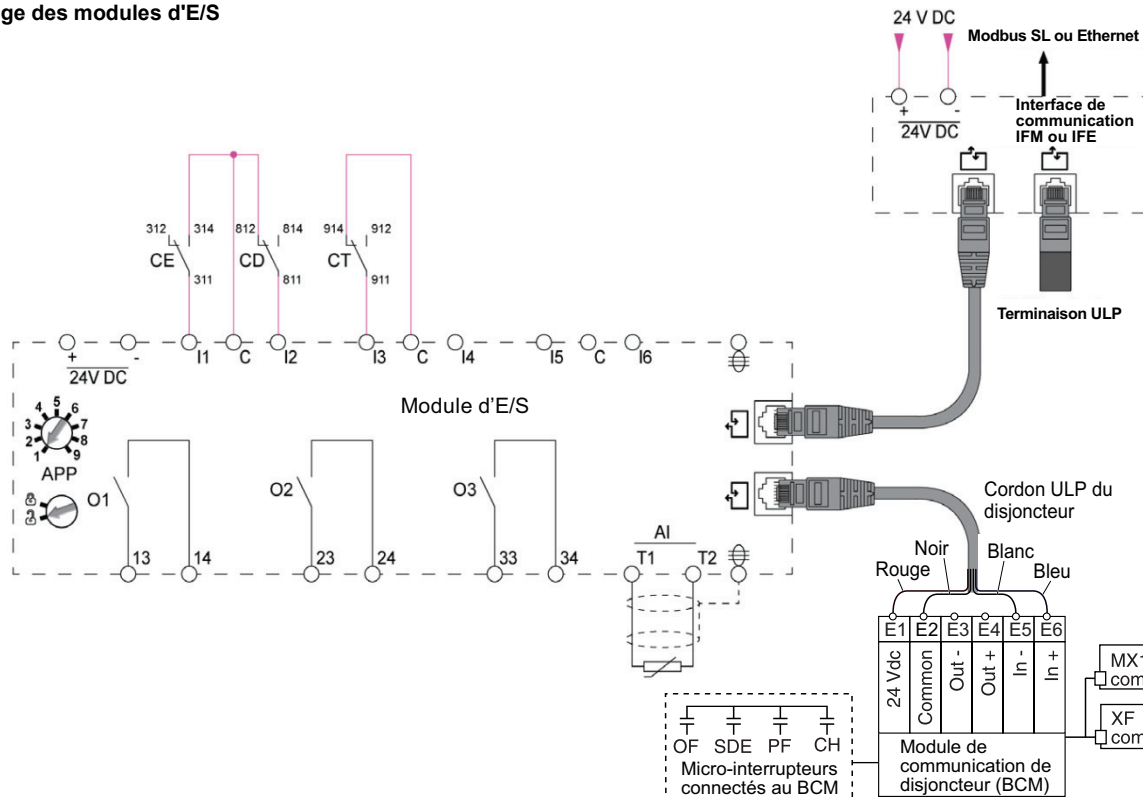


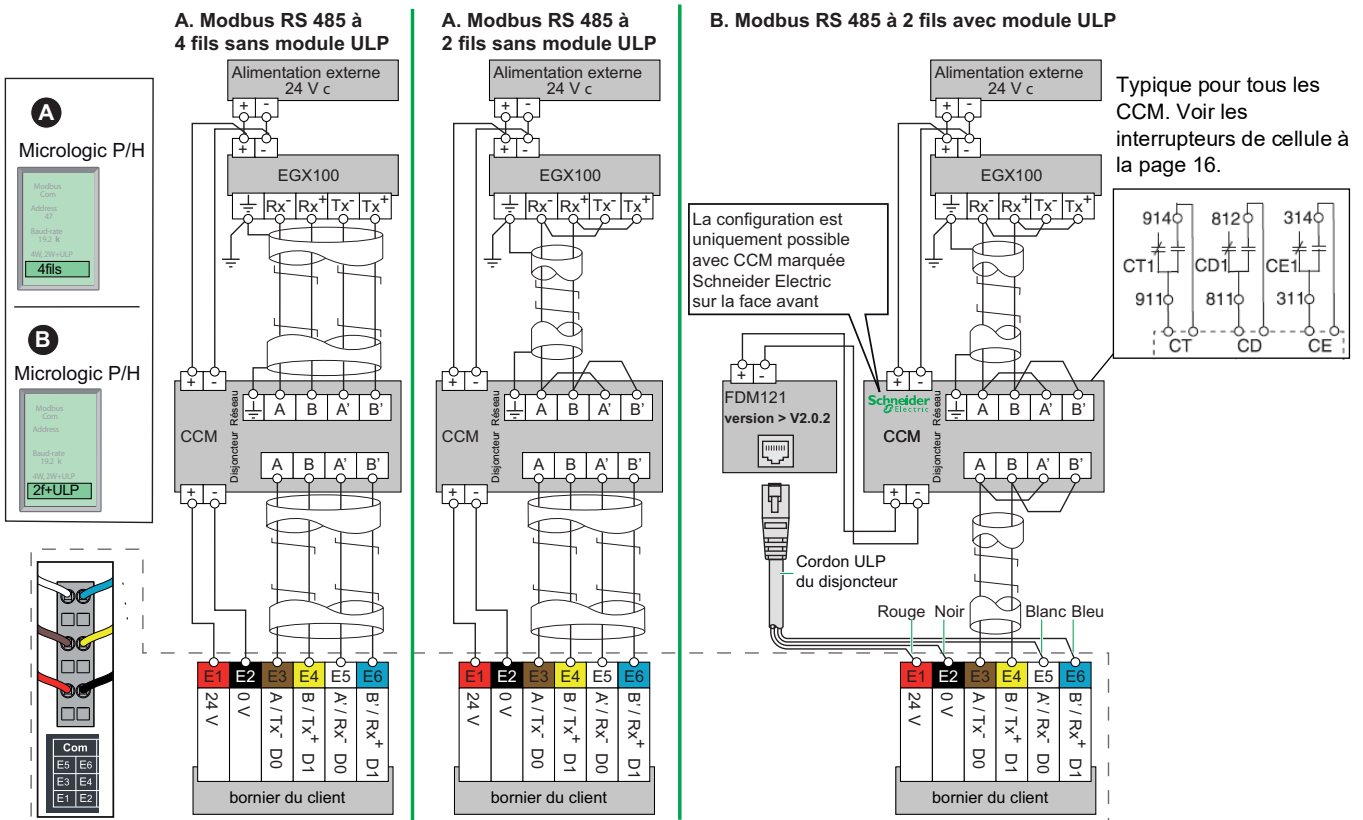


Figure 14 – Schémas de câblage pour l'option de COM

Câblage des modules d'E/S



Câblage de l'option de COM (Modules Modbus BCM ULP et CCM)



8. Si le disjoncteur possède un déclenchement ou une alarme intégrée sur défaut à la terre, un circuit triphasé à quatre fils nécessite l'emploi d'un transformateur de courant (TC) du neutre externe. Brancher le TC du neutre au disjoncteur selon les schémas de câblage à la figure 16.

a. Connecter le primaire :

- Si la charge est connectée à l'extrémité inférieure du disjoncteur, connecter le neutre de la charge à la borne H1 du TC du neutre.
- Si la source d'alimentation est connectée à l'extrémité inférieure du disjoncteur, connecter le neutre de l'alimentation à la borne H1 du TC de neutre.

**REMARQUE** : La connexion de mise à la terre de l'appareil doit être en amont (côté ligne) du TC du neutre et une connexion au neutre doit exister entre le transformateur d'alimentation et les appareils.

- b. Pour les disjoncteurs utilisant les déclencheurs Micrologic 5.0P, 6.0P, 5.0H ou 6.0HP, connecter la borne Vn sur le transformateur de courant de neutre à la borne Vn de la borne du câblage de commande. (Cela est nécessaire pour permettre au déclencheur d'effectuer les mesures de tension.) Les bornes Vc et Vn sont raccordées intérieurement.

9. Retirer le cavalier installé à l'usine reliant T1 et T2.

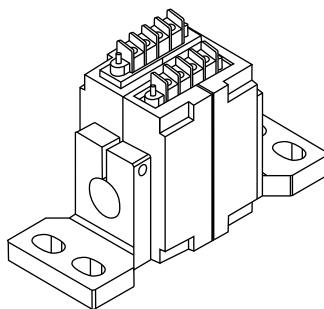
10. Faire passer le câble Belden® et le conduit en plastique du TC du neutre aux bornes du berceau.

11. Raccorder le câble selon le schéma approprié dans la figure 16.

12. Vérifier tout le câblage.

**REMARQUE** : Les circuits différentiels modifiés de défaut à la terre et les circuits de défaut à la terre par retour à la source de terre exigent l'utilisation d'un module différentiel modifié de défaut à la terre (MDFG) et des transformateurs de courant spéciaux. Au sujet du câblage des systèmes ci-dessus, voir les directives qui accompagnent le MDFG.

Figure 15 – Transformateurs de courant du neutre



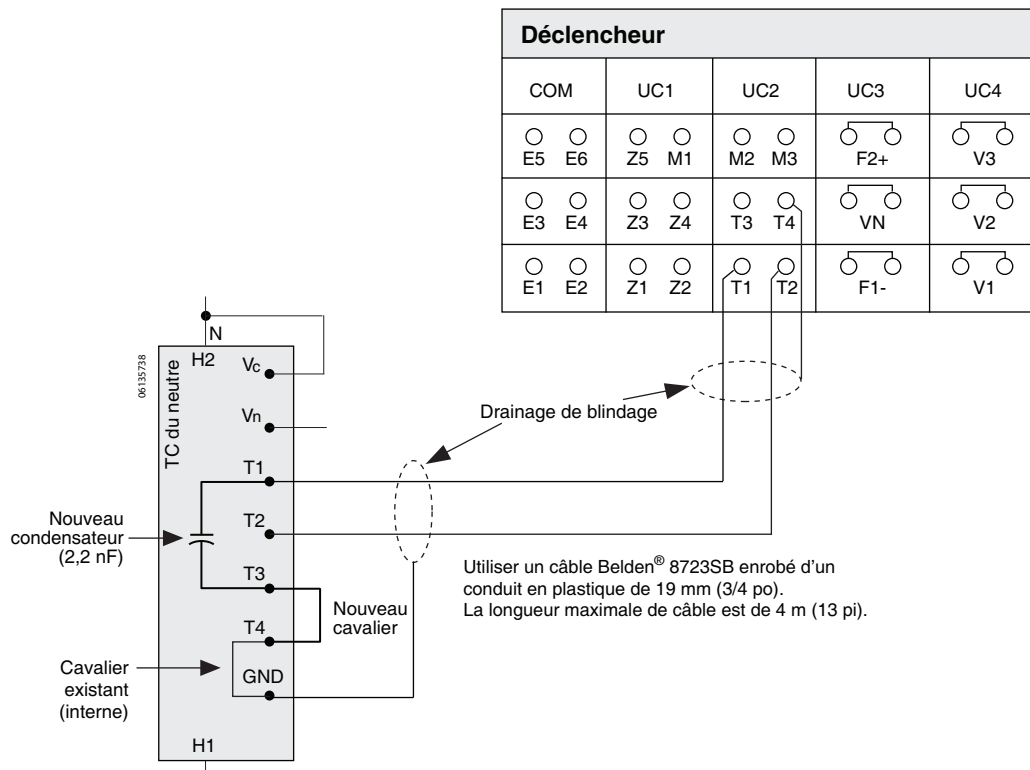
## AVIS

### RISQUE DE MAUVAIS FONCTIONNEMENT DU SYSTÈME DE DÉCLENCHEMENT

F1 et F2 doivent être isolées de la terre. Vérifiez tout le câblage en suivant les directives de ce bulletin.

**Le fait de ne pas suivre ces instructions peut endommager l'équipement.**

Figure 16 – Schéma de câblage de disjoncteurs NT

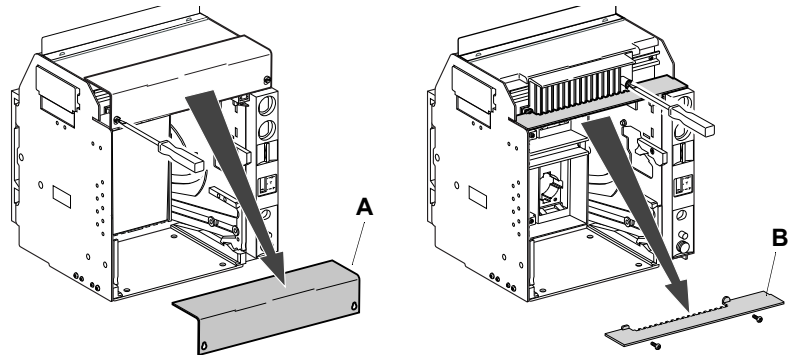


FRANÇAIS

13. Installer le câblage des accessoires.

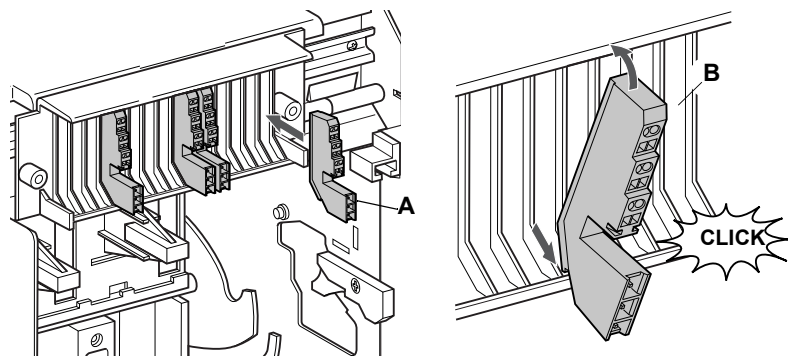
- a. Enlever le couvercle de bornes (A) optionnel, s'il est installé et le couvercle du câblage (B).

Figure 17 – Retrait des couvercles



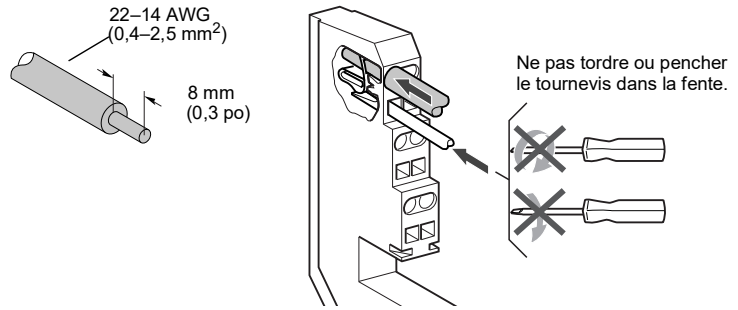
- b. Installer le connecteur des accessoires dans la fente correcte (A). (Se reporter à l'étiquette sur le berceau pour les informations sur le positionnement standard.) Faire tourner le connecteur des accessoires vers le haut (B) pour le mettre en place.

Figure 18 – Installation du connecteur des accessoires



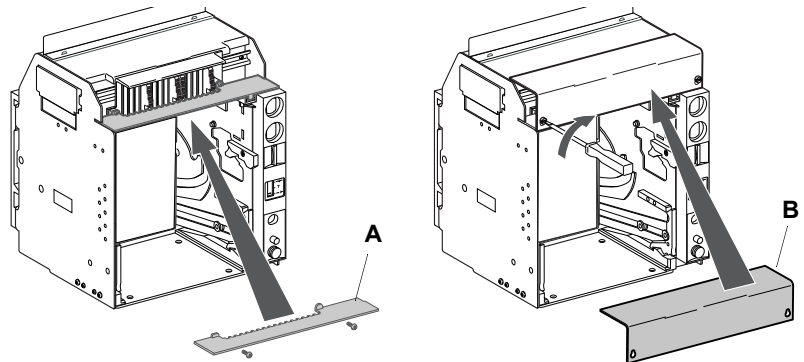
- c. Installer les fils de contrôle.

Figure 19 – Installation des fils de contrôle



- d. Remettre en place le couvercle du câblage (A).  
e. Remettre en place le couvercle de bornes (B) optionnel, s'il est installé.

Figure 20 – Remettre en place le couvercle du câblage

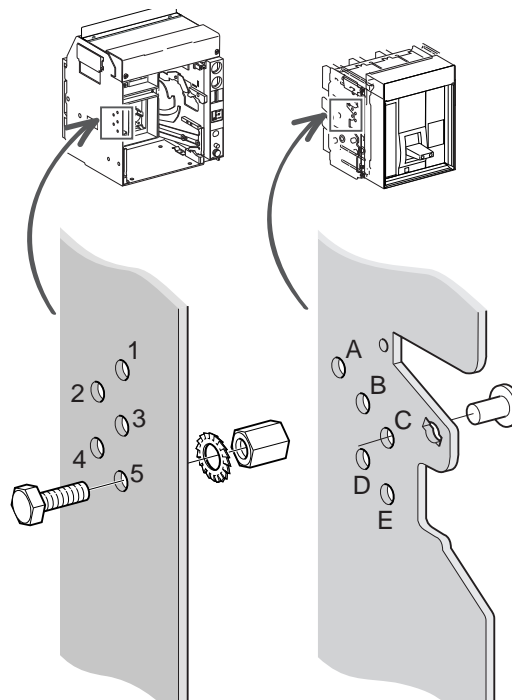


**REMARQUE :** Retirer le connecteur des accessoires dans l'ordre inverse de l'installation. Utiliser un tournevis pour libérer la patte.

### Installation du disjoncteur

- Pour empêcher qu'un disjoncteur comportant une mauvaise valeur de courant admissible ou une mauvaise valeur nominale d'interruption soit installé dans le berceau, installer les tiges de rejet sur le berceau et le disjoncteur avant d'installer le disjoncteur.
  - Déterminer la configuration requise des tiges de rejet.

Figure 21 – Fonction de rejet du berceau

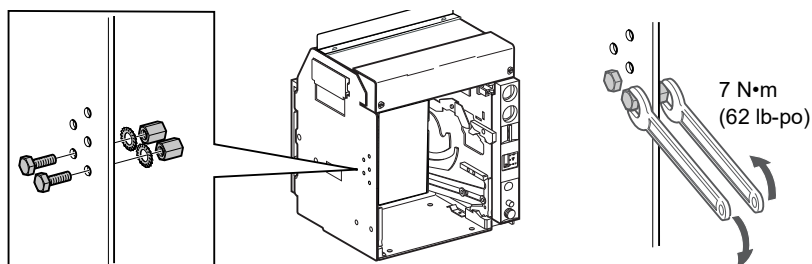


Toutes les combinaisons de tiges de rejet possibles

Disjoncteur	Berceau	Disjoncteur	Berceau
A, B, C	4, 5	B, C, D	1, 5
A, B, D	3, 5	B, C, E	1, 4
A, B, E	3, 4	B, C	1, 4, 5
A, B	3, 4, 5	B, D, E	1, 3
A, C, D	2, 5	B, D	1, 3, 5
A, C, E	2, 4	B, E	1, 3, 4
A, C	2, 4, 5	C, D, E	1, 2
A, D, E	2, 3	C, D	1, 2, 5
A, D	2, 3, 5	C, E	1, 2, 4
A, E	2, 3, 4	D, E	1, 2, 3

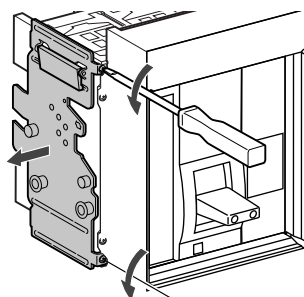
- b. Installer les tiges de rejet du berceau selon la configuration déterminée ci-dessus.

**Figure 22 – Installation des tiges de rejet du berceau**



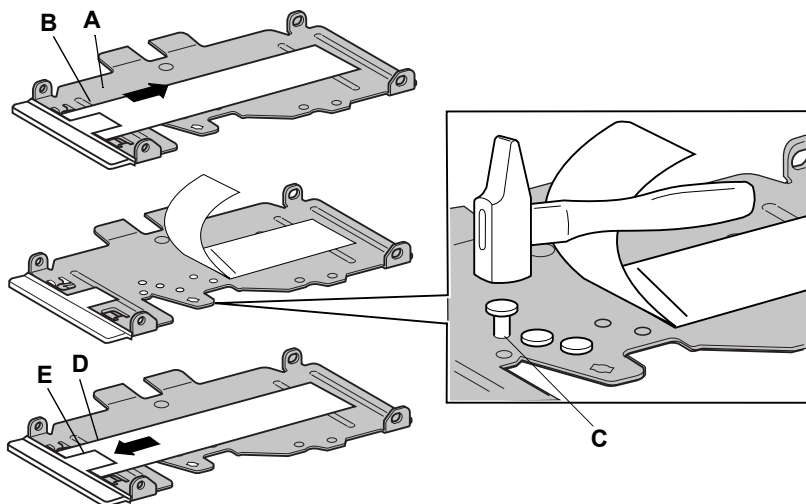
- c. Enlever la plaque latérale du disjoncteur.

**Figure 23 – Retrait de la plaque latérale du disjoncteur**



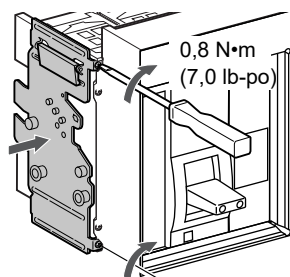
- d. Détacher le papier isolant (A) du dessous de la languette de retenue (B).  
e. Installer les tiges de rejet (C) du disjoncteur dans la plaque des tiges de rejet selon la configuration déterminée ci-dessus.  
f. Remettre en place le papier isolant (D) sous la languette de retenue (E).

**Figure 24 – Installation des tiges de rejet du disjoncteur**



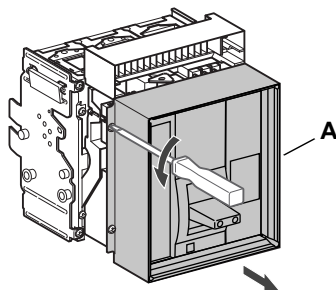
- g. Remettre en place la plaque latérale du disjoncteur.

**Figure 25 – Installation de la plaque des tiges de rejet**



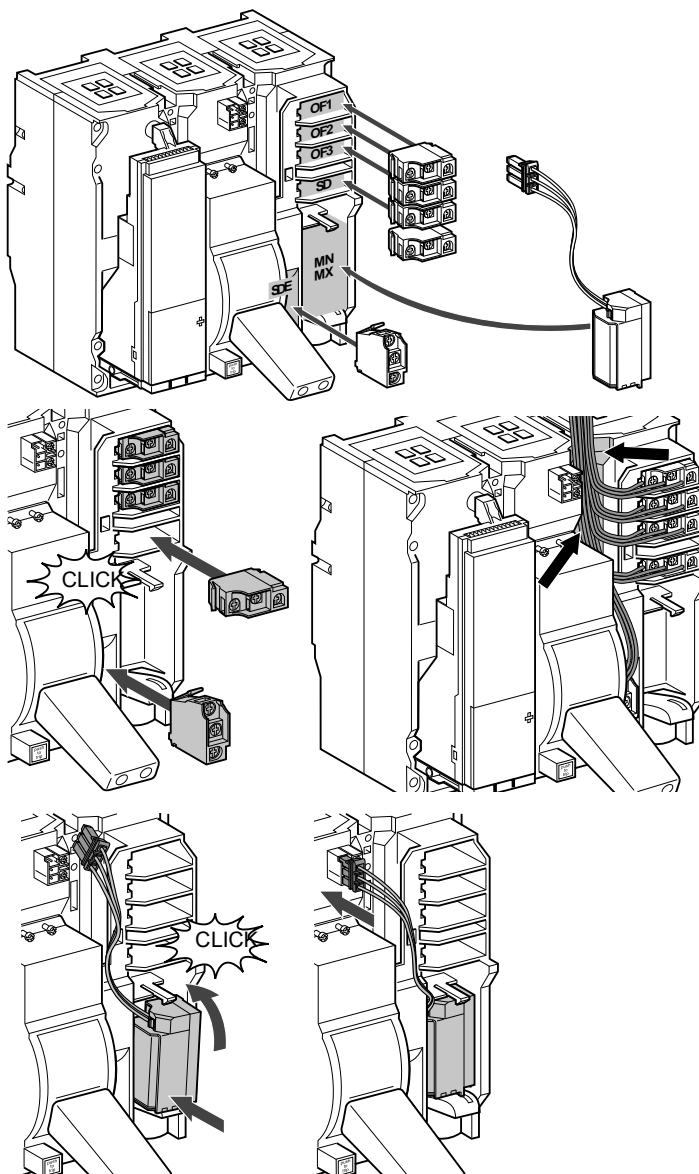
2. Installer à ce moment-ci les accessoires du disjoncteur non achetés comme appareil installé à l'usine.
- a. En cas d'installation des accessoires électriques, desserrer les vis du couvercle des accessoires et enlever le couvercle (A).

Figure 26 – Installation des accessoires



- b. Installer l'accessoire comme indiqué dans les directives fournies avec chaque accessoire.

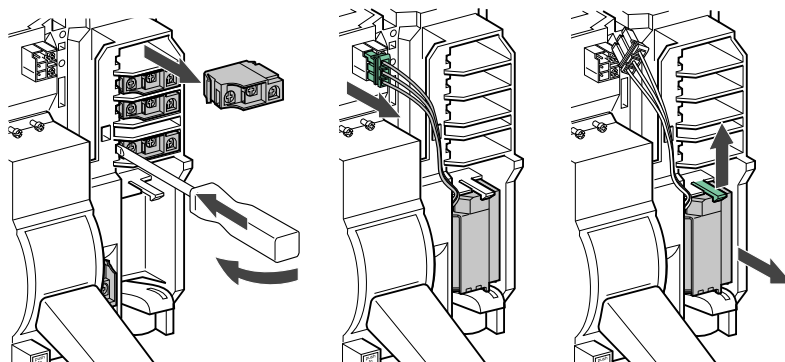
Figure 27 – Installation des accessoires



FRANÇAIS

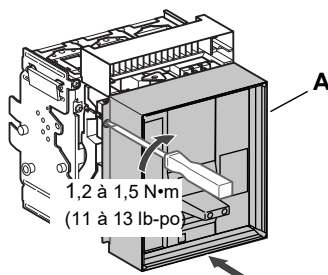
**REMARQUE :** Enlever les accessoires dans l'ordre inverse de l'installation.

**Figure 28 – Retrait des accessoires**



- c. Replacer le couvercle des accessoires (A).

**Figure 29 – Remise en place du couvercle des accessoires**



## AVIS

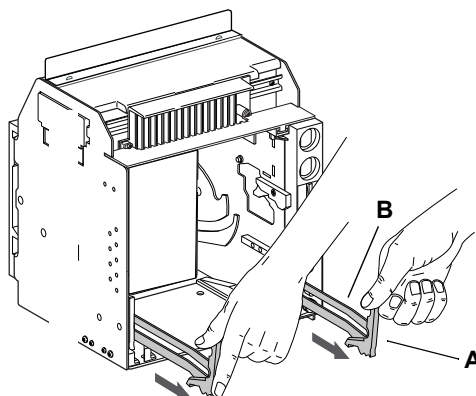
### RISQUE DES DOMMAGES MATÉRIELS

Fixez le berceau avant d'installer ou d'enlever le disjoncteur.

**Le fait de ne pas suivre ces instructions peut endommager l'équipement.**

- Retirer les poignées (A) de rails d'extension, jusqu'à ce que les rails (B) soient complètement déployés.

Figure 30 – Retrait des rails



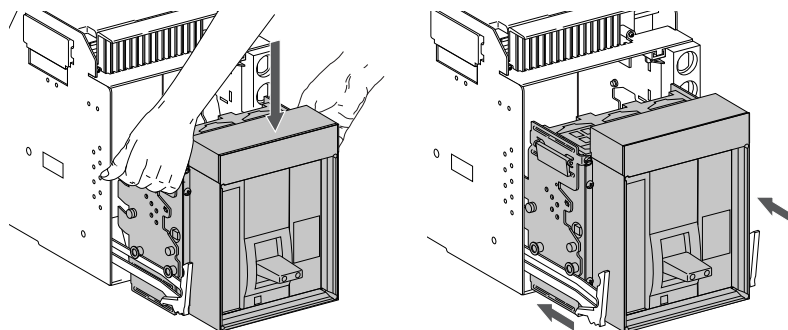
- Installer le disjoncteur sur les rails d'extension. Voir la page 11 pour la bonne procédure de levage.

**REMARQUE :** Le berceau doit être fixé à la palette s'il n'est pas installé dans l'appareil avant d'installer le disjoncteur.

- Inspecter les groupes de connecteurs du disjoncteur pour s'assurer qu'il n'en manque pas ou qu'ils sont bien alignés. Se reporter à la page 9 pour les informations concernant la vérification, l'installation et la lubrification des groupes de connecteurs.
- Pousser le disjoncteur vers l'intérieur, puis pousser les rails vers l'intérieur.
- Brancher le disjoncteur. Voir la page 28, Connexion du disjoncteur pour les directives sur la connexion du disjoncteur.

Voir la page 26, pour les directives de fonctionnement du disjoncteur.

Figure 31 – Installation du disjoncteur



Le paragraphe 230-95(c) du Code national de l'électricité (NEC; É.-U.) requiert que tous les systèmes de protection d'appareils contre les défauts à la terre soient vérifiés quand ils sont installés la première fois.

**REMARQUE :** Si une vérification complète du système de défaut à la terre est nécessaire, faire un essai d'injection primaire. Si le système est muni de plusieurs sources ou nécessite des raccordements sur place, utiliser un essai d'injection primaire.



8. Si le disjoncteur possède la protection d'appareils contre les défauts à la terre, vérifier le système de protection à ce moment-là.

S'assurer que le déclencheur est sous tension. Celui-ci est sous tension si :

- le disjoncteur est fermé ou alimenté par le bas et a une tension de charge de plus de 100 V sur deux phases (déclencheurs P ou H uniquement).
- Un ou plusieurs kits d'essai disponibles, présentés à la section 7 du Digest (référence 0100CT1901), sont connectés et mis sous tension.



- l'alimentation externe de 24 V cc est raccordée.
- un dérivateur de tension externe est installé et une tension de plus de 100 V est présente sur deux phases (déclencheurs P ou H uniquement).

S'il s'agit d'un système radial (à une seule extrémité), vérifier la protection contre les défauts à la terre en appuyant sur le bouton pousser-pour-vérifier (A). Le disjoncteur se déclenche et le voyant de défauts à la terre du déclencheur s'allume.

Enregistrer les résultats sur le tableau 6.

Figure 32 – Vérification de la protection contre les défauts à la terre (bouton pousser-pour-vérifier)

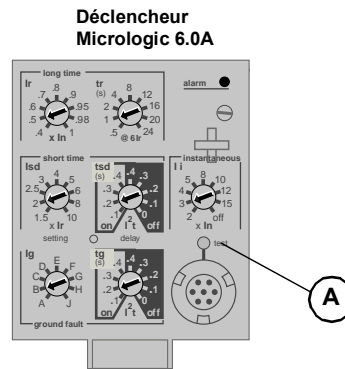


Tableau 6 – Résultats de l'essai de défauts à la terre

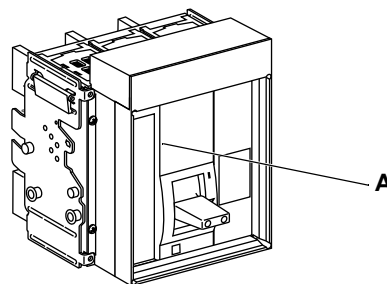
Date	Réglages du défaut à la terre	Résultats de l'essai	Signature

## Déclencheur

Les fonctions de protection, les fonctions de mesure et les communications sont commandées par le déclencheur MicroLogic (A) installé dans le disjoncteur. Le déclencheur est remplaçable sur place pour faciliter la mise à niveau des fonctions.

Pour des renseignements complets au sujet du déclencheur, ses fonctions et le remplacement sur place, voir le manuel du déclencheur accompagnant le disjoncteur.

Figure 33 – Déclencheur MicroLogic



Le tableau 7 décrit les fonctions disponibles sur les déclencheurs MicroLogic standards 3.0 et 5.0, les déclencheurs MicroLogic 3.0A, 5.0A et 6.0A avec ampèremètres, les déclencheurs MicroLogic 5.0P et 6.0P avec mesure de puissance et les déclencheurs MicroLogic 5.0H et 6.0H avec mesure d'harmoniques.

Pour des renseignements complets au sujet des déclencheurs disponibles et de leurs fonctions, se reporter au catalogue de classe 613.

Tableau 7 – Fonctions du déclencheur MicroLogic

Fonction	Déclencheur MicroLogic								
	X = Fonction standard O= Option disponible								
	Standard		Ampèremètre			Puissance		Harmoniques	
	3.0	5.0	3.0A	5.0A	6.0A	5.0P	6.0P	5.0H	6.0H
LI	X		X						
LSI		X		X		X		X	
LSIG/déclenchement sur défaut à la terre <sup>2</sup>					X		X		X
Alarme de défaut à la terre/pas de déclenchement <sup>1,2</sup>						X		X	
Alarme de défaut à la terre et déclenchement <sup>1,2</sup>							X		X
Fiches de valeur nominale réglables	X	X	X	X	X	X	X	X	X
Détection de la valeur RMS réelle	X	X	X	X	X	X	X	X	X
Inscrit UL	X	X	X	X	X	X	X	X	X
Image thermique	X	X	X	X	X	X	X	X	X
Graphique à barres de charge de phases			X	X	X	X	X	X	X
DÉL d'enclenchement de longue durée	X	X	X	X	X	X	X	X	X
DÉL d'indication de déclenchement			X	X	X	X	X	X	X
Ampèremètre numérique			X	X	X	X	X	X	X
Interverrouillage sélectif de zone				X	X	X	X	X	X
Communications			O	O	O	X	X	X	X
Affichage à matrice de points à cristaux liquides						X	X	X	X
Interface utilisateur avancée						X	X	X	X
Fonctions de protection par relais						X	X	X	X
Protection du neutre <sup>2</sup>						X	X	X	X
Indication d'usure des contacts						X	X	X	X
Mise au point fine des réglages par incrément						X	X	X	X
Bandes de retard de longue durée au choix						X	X	X	X
Mesure de puissance						X	X	X	X
Mesures de puissance de qualité								X	X
Saisir des formes d'ondes.								X	X

<sup>1</sup>Requiert un module de contacts programmables M2C ou M6C.

<sup>2</sup>Un transformateur de courant du neutre est requis pour un système triphasé à 4 fils.

## Fonctionnement

### État du disjoncteur

## DANGER

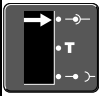
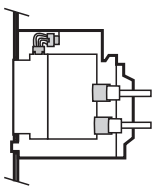
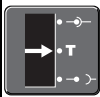
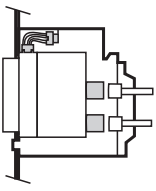
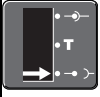
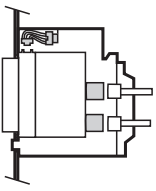
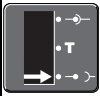
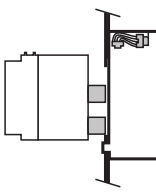
### RISQUE D'ÉLECTROCUTION, D'EXPLOSION OU ÉCLAIR D'ARC ÉLECTRIQUE

- Portez un équipement de protection personnelle (ÉPP) approprié et observez les méthodes de travail électrique sécuritaire. Voir NFPA 70E, CSA Z462 ou NOM-029-STPS.
- Seul un personnel qualifié doit effectuer l'installation et l'entretien de cet appareil.

**Le fait de ne pas suivre ces instructions entrainera des blessures graves, voire mortelles.**

La connexion ou la déconnexion du disjoncteur débrochable requiert l'insertion de la manivelle d'embrochage (alors qu'on appuie sur le bouton Pousser pour ouvrir). Si des interverrouillages, des cadenas ou une serrure de porte ouverte sont en place, la manivelle d'embrochage ne peut pas être insérée.

Tableau 8 – Positions du disjoncteur

Indicateur de position	Position du connecteur	Groupe de connecteurs	Connecteurs secondaires (commande)	État du disjoncteur
Connectée 		Engagés	Engagés	Peut être utilisé. Prêt à l'emploi.
Essai 		Désengagés	Engagés	Peut être utilisé. Peut vérifier les systèmes de fonctionnement et de commande.
Déconnectée 		Désengagés	Désengagés	Peut être utilisé manuellement. Peut être retiré du chariot.
Retirée 		Désengagés	Désengagés	Retiré du chariot.

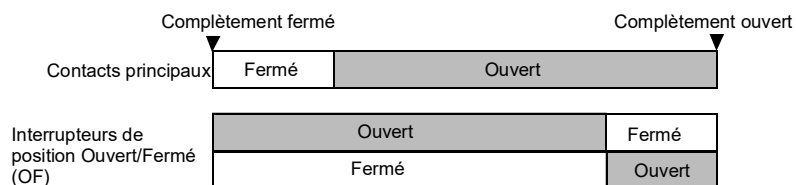
Quand la position du disjoncteur change, les contacts de position changent d'état.

Figure 34 – Fonctionnement selon la position du dispositif

Position du disjoncteur	Position déconnectée	Contacts auxiliaires isolés	Position d'essai	Connecteurs primaires isolés	Position connectée
Interrupteurs de position déconnectée (CD)	Ouvert				
	Fermé				
Interrupteurs de position d'essai (CT)	Ouvert		Fermé	Ouvert	
	Fermé		Ouvert	Fermé	
Interrupteurs de position connectée (CE)	Ouvert				
	Fermé				

Quand les contacts principaux du disjoncteur fonctionnent, les contacts auxiliaires changent de position.

**Figure 35 – Fonctionnement des contacts du dispositif**



## Connexion du disjoncteur

### AVIS

#### RISQUE DES DOMMAGES MATÉRIELS

- Utilisez la manivelle d'embrochage fournie pour embrocher le disjoncteur dans le berceau ou à l'extérieur de ce dernier.
- N'utilisez pas d'outils électriques pour l'embrochage.
- Ne continuez pas à tourner la manette après la parution du bouton Arrêt-dégagement.

**Le fait de ne pas suivre ces instructions peut endommager l'équipement.**

### ⚠ ⚠ DANGER

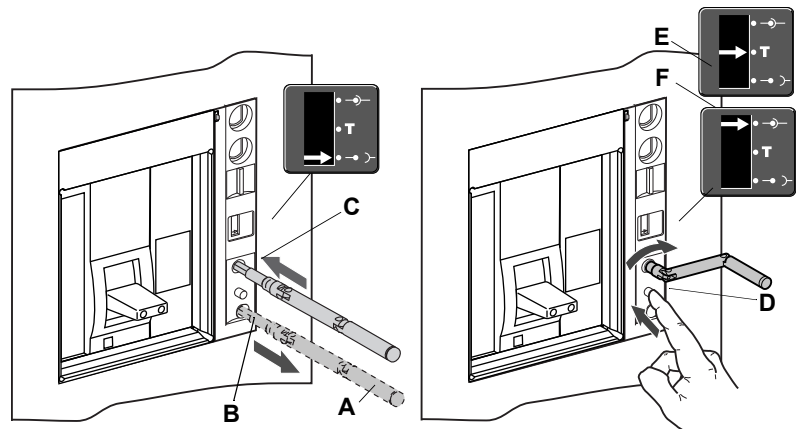
#### RISQUE D'ÉLECTROCUTION, D'EXPLOSION OU ÉCLAIR D'ARC ÉLECTRIQUE

- Portez un équipement de protection personnelle (ÉPP) approprié et observez les méthodes de travail électrique sécuritaire. Voir NFPA 70E, CSA Z462 ou NOM-029-STPS.
- Seul un personnel qualifié doit effectuer l'installation et l'entretien de cet appareil.

**Le fait de ne pas suivre ces instructions entrainera des blessures graves, voire mortelles.**

1. Débrancher la charge des sectionneurs secondaires.
2. Retirer la manivelle d'embrochage (A) du trou de rangement (B).
3. Insérer la manivelle d'embrochage dans la fente d'embrochage (C).
4. Pousser sur le bouton Arrêt-dégagement (D).
5. Tourner la manivelle d'embrochage dans le sens horaire jusqu'à ce que la position d'essai (E) soit atteinte. Le bouton Arrêt-dégagement ressortira.
6. Pousser sur le bouton Arrêt-dégagement (D).
7. Tourner la manivelle d'embrochage dans le sens horaire jusqu'à ce que la position connectée (F) soit atteinte. Le bouton Arrêt-dégagement ressortira. Replacer la manivelle d'embrochage dans son trou de rangement (B).
8. Rebrancher la charge aux sectionneurs secondaires.

Figure 36 – Embrocher le disjoncteur vers l'intérieur



#### Déconnexion du disjoncteur

### AVIS

#### RISQUE DES DOMMAGES MATÉRIELS

- Utilisez la manivelle d'embrochage fournie pour embrocher le disjoncteur dans le berceau ou à l'extérieur de ce dernier.
- N'utilisez pas d'outils électriques pour l'embrochage.
- Ne continuez pas à tourner la manette après la parution du bouton Arrêt-dégagement.

**Le fait de ne pas suivre ces instructions peut endommager l'équipement.**

### ⚠ ⚠ DANGER

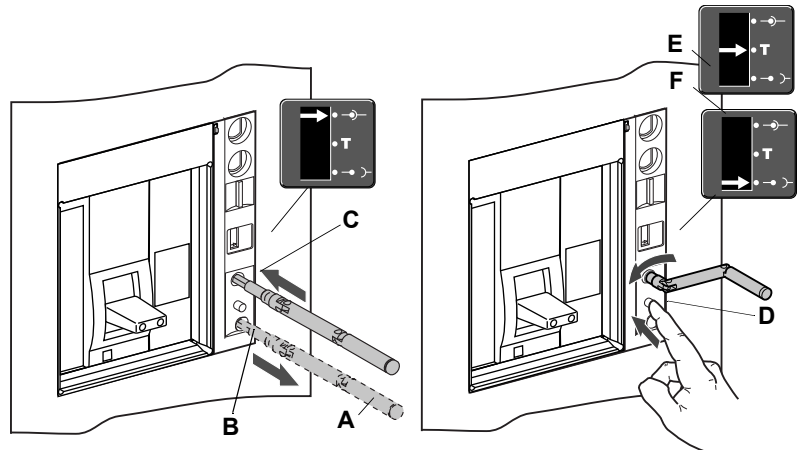
#### RISQUE D'ÉLECTROCUTION, D'EXPLOSION OU ÉCLAIR D'ARC ÉLECTRIQUE

- Seul un personnel qualifié doit effectuer l'installation et l'entretien de cet appareil.
- Prenez garde aux dangers potentiels, portez un équipement de protection personnelle et prenez les mesures de sécurité adéquates.

**Le fait de ne pas suivre ces instructions entraînera des blessures graves, voire mortelles.**

1. Débrancher la charge des sectionneurs secondaires.
2. Retirer la manivelle d'embrochage (A) du trou de rangement (B).
3. Insérer la manivelle d'embrochage dans la fente d'embrochage (C).
4. Pousser sur le bouton Arrêt-dégagement (D). Tourner la manivelle d'embrochage dans le sens anti-horaire jusqu'à ce que la position d'essai (E) soit atteinte. Le bouton Arrêt-dégagement ressortira.
5. Pousser sur le bouton Arrêt-dégagement (D).
6. Tourner la manivelle d'embrochage dans le sens anti-horaire jusqu'à ce que la position déconnectée (F) soit atteinte. Le bouton Arrêt-dégagement ressortira. Replacer la manivelle d'embrochage dans son trou de rangement (B).
7. Rebrancher la charge aux sectionneurs secondaires.

Figure 37 – Embrocher le disjoncteur vers l'extérieur



## Retrait

### Retrait du disjoncteur

#### AVIS

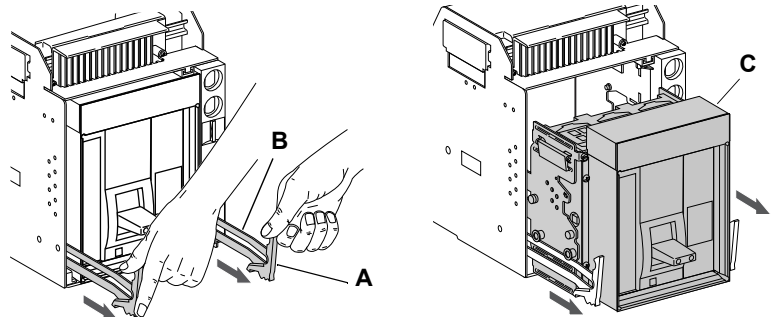
##### RISQUE DES DOMMAGES MATÉRIELS

Fixez le berceau avant d'installer ou d'enlever le disjoncteur.

**Le fait de ne pas suivre ces instructions peut endommager l'équipement.**

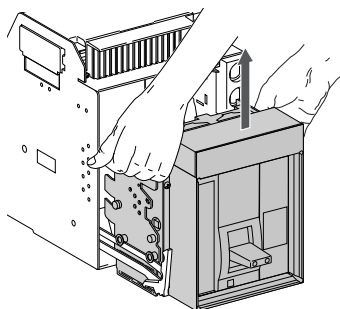
1. Débrancher le disjoncteur, de la façon décrite à la page 29, Déconnexion du disjoncteur.
2. Retirer les poignées de rails d'extension (A), jusqu'à ce que les rails (B) soient complètement déployés. Retirer le disjoncteur (C) jusqu'aux extrémités des rails d'extension.

Figure 38 – Retrait du disjoncteur



3. Enlever le disjoncteur des rails. Utiliser les méthodes de levage détaillées à la page 11.

**Figure 39 – Retrait du disjoncteur**



### Retrait du berceau

1. Couper l'alimentation de l'appareil avant d'y travailler.
2. Enlever le berceau dans l'ordre inverse de l'installation.

## ⚡ ⚠ DANGER

### RISQUE D'ÉLECTROCUTION, D'EXPLOSION OU ÉCLAIR D'ARC ÉLECTRIQUE

- Portez un équipement de protection personnelle (ÉPP) approprié et observez les méthodes de travail électrique sécuritaire. Voir NFPA 70E, CSA Z462 ou NOM-029-STPS.
- Seul un personnel qualifié doit effectuer l'installation et l'entretien de cet appareil.
- Coupez toutes les alimentations de l'appareil avant d'y travailler.
- Utilisez toujours un dispositif de détection de tension à valeur nominale appropriée pour vous assurer que l'alimentation est coupée.
- Remplacez tous les dispositifs, les portes et les couvercles avant de mettre l'appareil sous tension.

**Le fait de ne pas suivre ces instructions entraînera des blessures graves, voire mortelles.**

## Dimensions

### Informations sur les coffrets

**Tableau 9 – Dimensions du coffret**

Dimensions du coffret du disjoncteur (haut. x larg. x épais.)		Zone d'aération			
		Haut		Bas	
po	mm	po <sup>2</sup>	mm <sup>2</sup>	po <sup>2</sup>	mm <sup>2</sup>
18,25 x 13 x 9,5	463,6 x 330,2 x 241,3	9	5806	9	5806

## Dimensions du découpage de porte

Figure 40 – Découpage de porte du disjoncteur débrochable à 3 pôles, 800 à 1 200 A

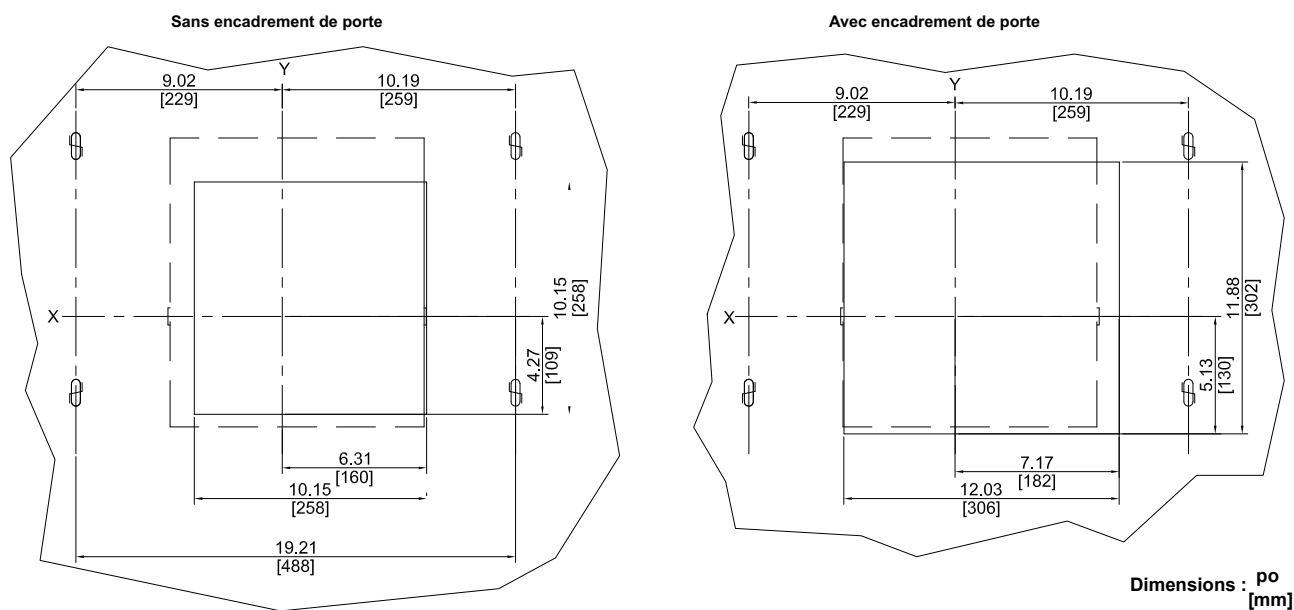
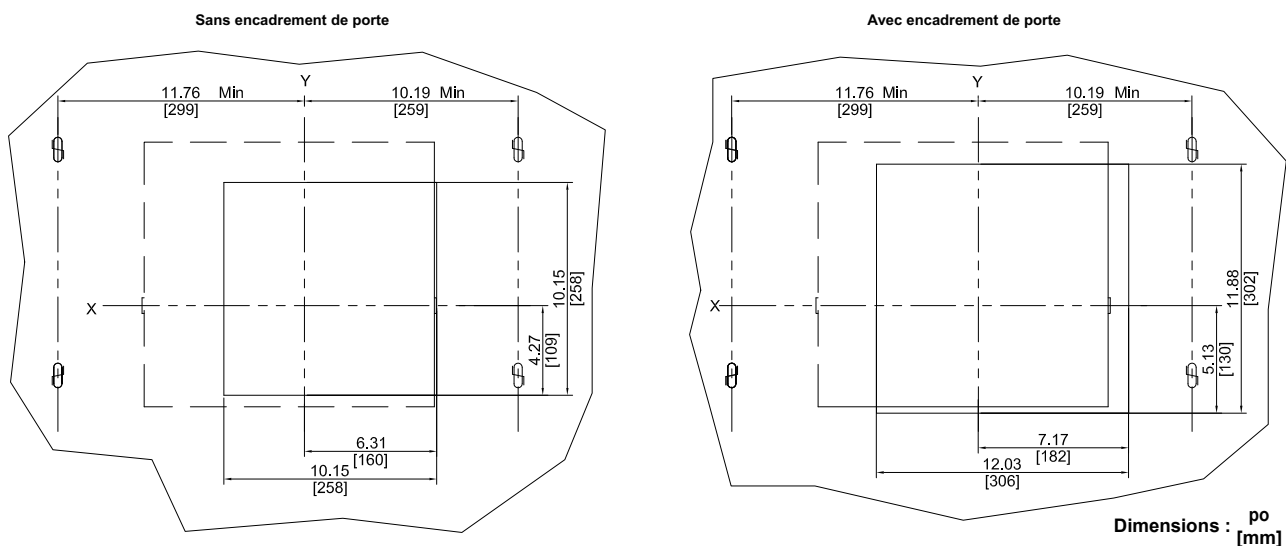


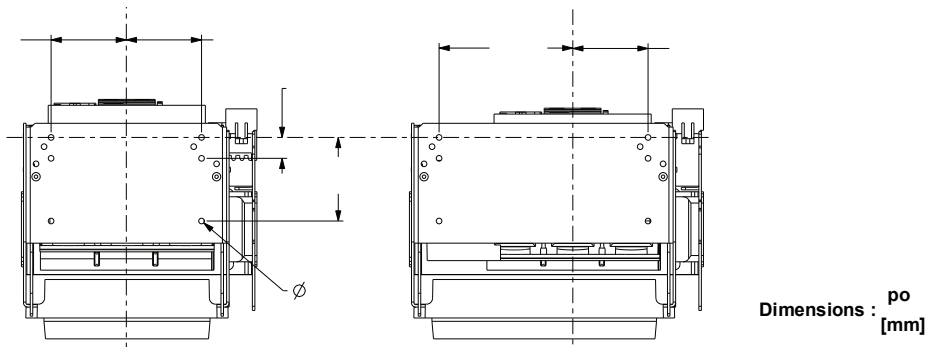
Figure 41 – Découpage de porte du disjoncteur débrochable à 4 pôles, 800 à 1 200 A





## Dimensions pour l'installation horizontale

Figure 42 – Trous de montage horizontal du berceau



## Dimensions du découpage arrière

Figure 43 – Découpage arrière du disjoncteur débrochable à 3 pôles, 800 à 1 200 A

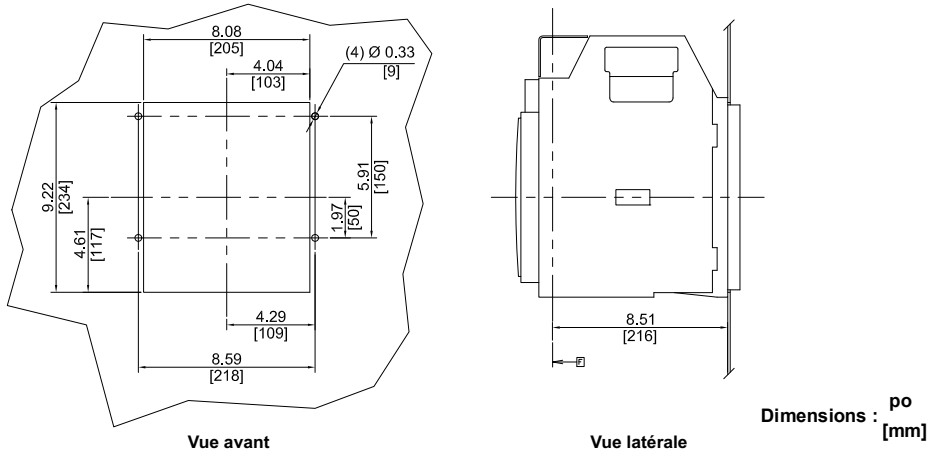
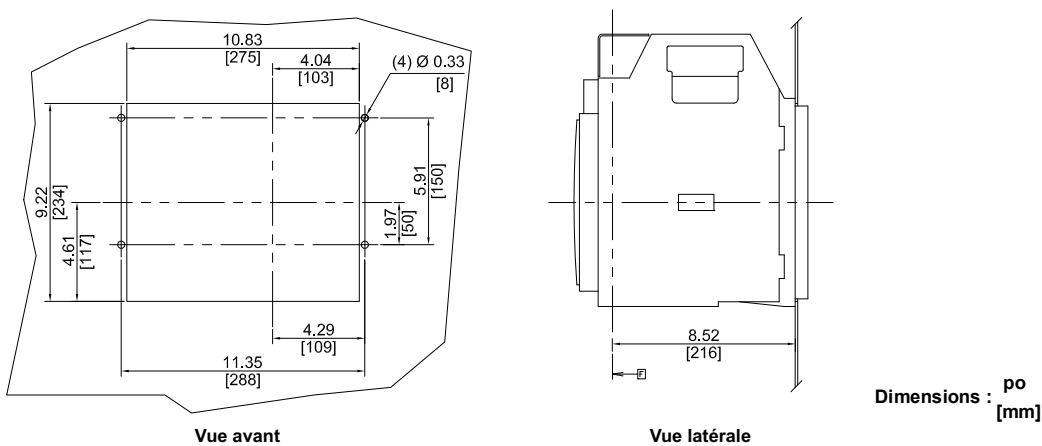
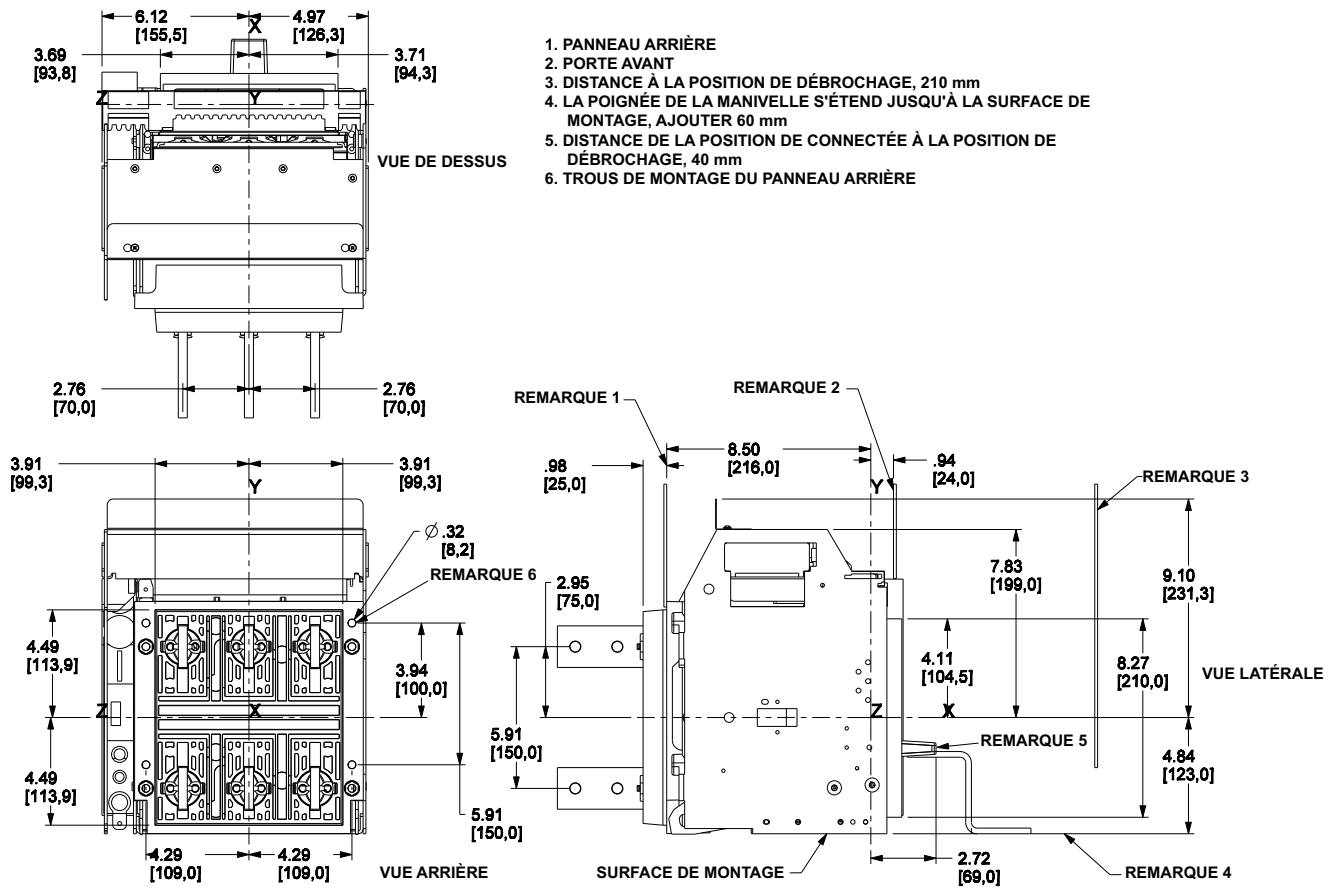


Figure 44 – Découpage arrière du disjoncteur débrochable à 4 pôles



## Dimensions du disjoncteur et berceau

Figure 45 – Disjoncteur débroschable à 3 pôles et berceau

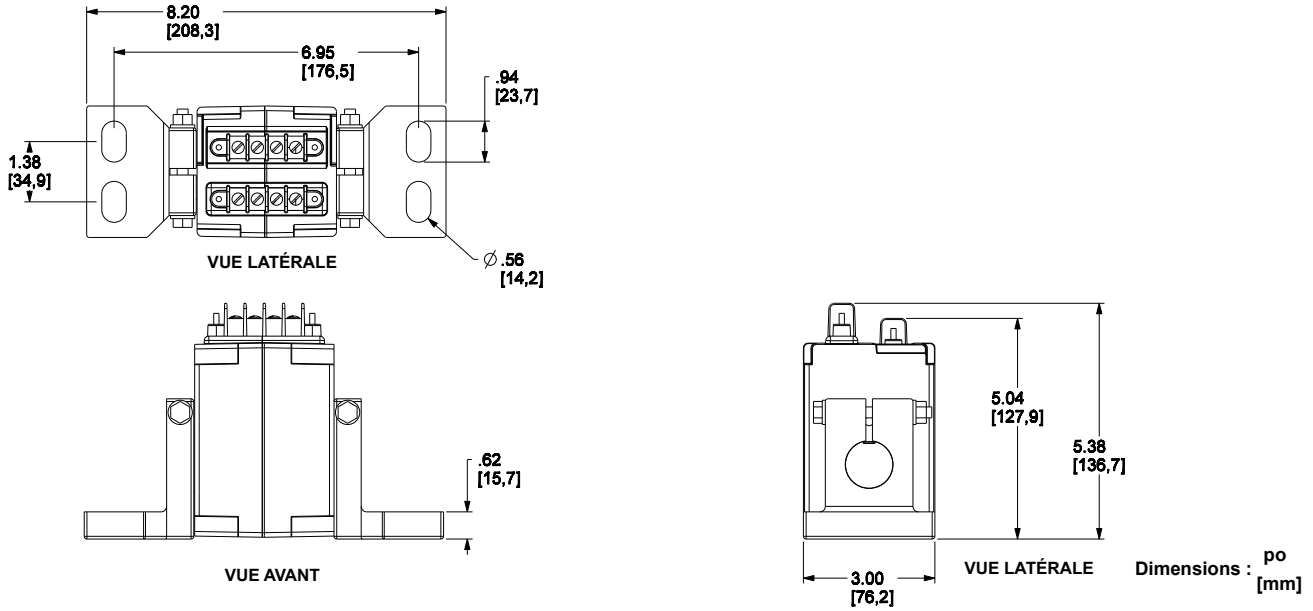


FRANÇAIS



### Dimensions du transformateur de courant du neutre

Figure 47 – Transformateur externe de courant du neutre



FRANÇAIS

Schneider Electric Canada, Inc.  
 5985 McLaughlin Road  
 Mississauga, ON L5R 1B8 Canada  
 800-565-6699  
[www.se.com/ca](http://www.se.com/ca)

Seul un personnel qualifié doit effectuer l'installation, l'utilisation, l'entretien et la maintenance du matériel électrique. Schneider Electric n'assume aucune responsabilité des conséquences éventuelles découlant de l'utilisation de cette documentation.

Schneider Electric, Square D, PowerPact et Micrologic sont des marques commerciales de Schneider Electric Industries SAS ou de ses compagnies affiliées. Toutes les autres marques commerciales utilisées dans ce document sont la propriété de leurs