

# Universal Enclosures

Protecting your equipment for more than 50 years



# General contents

<b>Introduction / Selection guides</b> .....	1/1
● Introduction .....	1/2
● Selection guides .....	1/8
<hr/>	
<b>Industrial boxes</b> .....	2/1
● Spacial® S44 - S57 - S24 Steel industrial boxes .....	2/2
● Spacial SDB Steel junction boxes IP55 .....	2/12
● Thalassa™ TBS - TBP Insulating industrial boxes .....	2/18
<hr/>	
<b>Steel wall-mounting enclosures</b> .....	3/1
● Overview .....	3/2
● Selection guide .....	3/4
● Spacial S3DC Steel wall-mounting enclosures .....	3/6
● Spacial S3DCD Disconnect enclosures .....	3/32
● Spacial S3HF Electromagnetic protected enclosures .....	3/38
● Spacial CRN - CRNG Steel wall-mounting enclosures .....	3/40
● Spacial S3CM Human-machine dialog enclosures .....	3/66
<hr/>	
<b>Steel floor-standing enclosures</b> .....	4/1
● Spacial SM Compact metal enclosures .....	4/2
● Spacial SF Modular metal enclosures .....	4/10
● Accessories .....	4/25
● Spacial SF Compartmentalized enclosures .....	4/74
● Spacial SF PC rack .....	4/87
● Spacial SF - SM Electronic applications .....	4/92
<hr/>	
<b>Stainless-steel enclosures</b> .....	5/1
● Overview .....	5/2
● Spacial S3X Stainless-steel wall-mounting enclosures .....	5/4
● Spacial S3XEX for potentially explosive atmospheres .....	5/12
● Spacial SMX Stainless-steel monobloc floor-standing enclosures .....	5/16
● Spacial SFX Stainless-steel modular enclosures .....	5/20
● Accessories .....	5/24
<hr/>	
<b>Insulating enclosures</b> .....	6/1
● Overview .....	6/2
● Thalassa PLS Insulating modular boxes IP65 .....	6/4
● Thalassa PLM Polyester wall-mounting enclosures .....	6/12
● Thalassa PLMEX for potentially explosive atmospheres .....	6/28
● Thalassa PLA Polyester floor-standing enclosures .....	6/32
<hr/>	
<b>Thermal management system</b> .....	7/1
● Overview .....	7/2
● ClimaSys™ CV Ventilation systems .....	7/8
● ClimaSys CU Cooling unit .....	7/30
● ClimaSys CR Insulated resistance heaters .....	7/38
● ClimaSys CC Thermal control .....	7/46
● Thermal balance and thermal management systems .....	7/57
● ProClima Software .....	7/62
● ClimaSys Calculation and selection tables .....	7/64
<hr/>	
<b>Accessories</b> .....	8/1
● Mounting .....	8/2
● Cable management .....	8/67
● Lighting accessories .....	8/90
● Door accessories .....	8/94
● Grounding accessories .....	8/101
● Floor accessories .....	8/104
<hr/>	
<b>Technical annexes / Index of catalog numbers</b> .....	9/1
● Technical annexes .....	9/2
● Index of catalog numbers .....	9/20

# Schneider Electric Universal Enclosures

The specialists in sealed equipment

## > History

Schneider Electric Universal Enclosures originate from two companies and brands created in 1958: Himel with origins in Spain, and Sarel with origins in France. These two companies have more than 50 years experience as leading specialists in the design, manufacturing and marketing of enclosure systems for the installation and protection of automation and electrical devices in all types of environmental conditions.

## > Customer focus

From users and purchasing advisers, to distributors and system designers, Schneider Electric integrates customer expectations into its global business approach through:

## > Products

Our equipment and materials are adapted to most circumstances, whatever the configurations or applications, and are designed to provide quality, reliability, speed and ease of use.

## > Services

We customize products to your requirements and respond to specific needs with the greatest flexibility, efficiency and the highest levels of quality.

With this approach, Schneider Electric contributes to its customers' competitiveness.



Helping you make the most of your energy

## The choice of a worldwide leader

### Five industrial lines of work

To efficiently meet the needs of professionals in the fields of electricity, automation and electronics, Schneider Electric's product manufacturing lines are controlled by strict quality assurance systems.

Manufacturing takes place in different facilities distributed over four sites, covering a total surface area of 55,000 m<sup>2</sup>. Each facility houses specialized production lines, dedicated to:

- Sheet-steel metalwork
- Stainless-steel metalwork
- Injection and extrusion of plastics
- Hot press-molding of SMC polyester

## > Quality assurance processes to help meet customer needs

Our total quality approach covers all the stages of product design, manufacturing, ordering and delivery. Our customers' needs are the focus of our entire process, from new product development to product delivery.

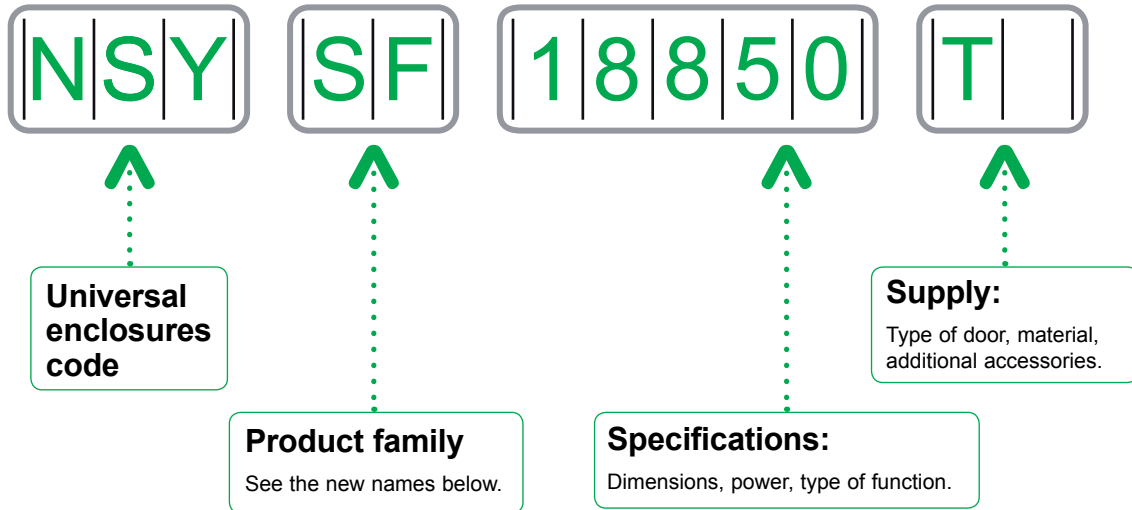


ISO 9001 &  
ISO 14001  
Certified



# Schneider Electric Universal Enclosures

Understanding our catalog numbers



## New product family names:

### > Spacial® metal enclosures:

**Spacial S44 - S57 - S24** Steel industrial boxes

**Spacial SDB** Steel junction boxes IP55

**Spacial S3DC** Steel wall-mounting enclosures

**Spacial SM** Compact metal enclosures

**Spacial SF** Modular metal enclosures

**Spacial S3X** Stainless-steel wall-mounting enclosures

**Spacial SMX** Stainless-steel monobloc floor-standing enclosures

**Spacial SFX** Stainless-steel modular enclosures

### > Thalassa™ insulating enclosures:

**Thalassa TBS** Insulating industrial boxes

**Thalassa TBP** Insulating industrial boxes

**Thalassa PLS** Insulating modular boxes IP65

**Thalassa PLM** Polyester wall-mounting enclosures

**Thalassa PLA** Polyester floor-standing enclosures

### > ClimaSys™ thermal management system:

**ClimaSys CV** Ventilation systems

**ClimaSys CU** Cooling unit

**ClimaSys CR** Insulated resistance heaters

**ClimaSys CC** Thermal control

# Schneider Electric Universal Enclosures

A solution for every application



## > Spacial

Metal enclosures and boxes

From our small boxes to large modular floor-standing enclosures, with the Spacial range you can find the optimal fit for your applications. Our extensive range of easy-to-use accessories helps you save time during your projects.

Select between steel or stainless steel to better suit the installation environment. In our stainless-steel offer you can find the optimal solution where cleanliness is required, or for highly corrosive environments.



## > Thalassa

Insulated enclosures and boxes

Without the right protection, harsh environments can expose your installation to chemicals or other substances.

Developed to help protect your equipment in outdoor applications or harsh conditions, our Thalassa offer ranges from boxes to floor-standing enclosures made from fiber-glass reinforced polyester.

Our Thalassa industrial boxes in ABS or polycarbonate are strong, easy to install and designed to be used in highly demanding environments.

# Schneider Electric Universal Enclosures

A solution for every application



## > ClimaSys

Thermal management

Preserving and keeping the right temperature inside your enclosure is vital for maximizing the average service life of your installed devices. With our ClimaSys offer you can find the right solution, be it ventilation, cooling or heating, including control units for temperature, humidity and much more.



## > CaSys™

Networking and server applications

A complete range for cabling local networks designed to support most networking and server applications. From small boxes to large industrial racks, we have the right solution and size, including enclosure kits for installation in small spaces such as server rooms.

# Industry and infrastructure offer A material for every environment



## > Solution:

The Spacial range in steel (wall-mounting, monobloc and modular floor-standing enclosures).

## > Steel

Indoor non-clean industrial environment

The environment in industrial plants can subject electric and electronic components to dust, splashing oil, and impacts. Such environments require a range of enclosures that are suited to harsh conditions yet easy to install.

- **Universal range**, for industry.
- **EMC (electromagnetic compatibility) range**, against electromagnetic disturbances (treated with Aluzinc).



## > Solution:

The Spacial range in stainless steel (wall-mounting, monobloc and modular floor-standing enclosures).

## > 304L - 316L stainless steel

Demanding industrial environment

Food and beverage, pharmaceutical, petrochemical and infrastructure industries have particularly demanding hygiene requirements and corrosion resistance requirements. Our Spacial range is available in two grades of stainless steel:

- **304L stainless steel:**  
For resistance to corrosion and ease of cleaning (often used in food production environments).
- **316L stainless steel, also known as "marine stainless steel":**  
For very high resistance to corrosion (used in saline or chlorinated environments).
- **Range of ATEX enclosures**, for potentially explosive atmospheres.



## > Solution:

The Thalassa range (boxes, wall-mounting and floor-standing enclosures).

## > Insulating polyester and plastic materials (ABS, polycarbonate)

Outdoor infrastructures and severe industrial environments

Outdoor infrastructures and electrical installations are exposed to direct sunlight, rain, saline mist, extreme temperatures, oil splashes, chemical and corrosive agents, and are in contact with the public.

- **Universal range**, for industry.
- **Range of ATEX enclosures**, for potentially explosive atmospheres.



## > [www.schneider-electric.us](http://www.schneider-electric.us)

Our international site allows you to access all the Schneider Electric products in just two clicks with direct links to:

- A complete library of technical documents, catalogs, FAQs, brochures, etc.
- Certificates.
- 2D & 3D drawings.
- Selection guides from the e-catalog.
- Product discovery sites.



You can also find illustrated overviews, news subscriptions, a list of country contacts and other useful information.

## Our software suite

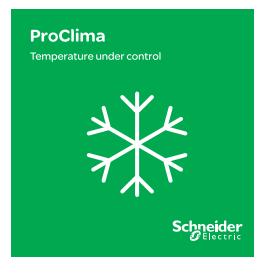
### > [Spacial.pro](http://Spacial.pro)

Spacial.pro allows you to make switchboard proposals based on the standard Spacial offer. A full project with several sets of switchboards is quoted in minutes, with automatic creation of the bill of material and 2D drawings for front and side views.



### > [ProClima](http://ProClima)

Calculate the right choice for your thermal management requirements, according to the environment and the electrical/electronic devices installed inside the enclosure.



### > [Spacial.ref](http://Spacial.ref) [Thalassa.ref](http://Thalassa.ref)

These digital rules assist you in selecting the appropriate components for your application from our extensive product range. The tool automates product and accessory selection to help save you time and money.





# Steel industrial boxes

## Selection guide



External dimensions: mm (in.)			Steel industrial box catalog number			IK10	Opaque door + screws
Height	Width	Depth	IK08				
			Empty	Plate	Uprights (1)		
80 (3.1)	80 (3.1)	45 (1.8)	NSYSBS884	-	-	-	-
100 (3.9)	100 (3.9)	55 (2.2)	NSYSBS10105	-	-	-	-
130 (5.1)	130 (5.1)	60 (2.4)	NSYSBS13136	-	-	-	-
160 (6.3)	160 (6.3)	65 (2.6)	NSYSBS16166	-	-	-	-
165 (6.5)	120 (4.7)	65 (2.6)	NSYSBS16126	NSYSBS16126S	-	-	-
180 (7.1)	130 (5.1)	96 (3.8)	-	-	-	-	NSYSBS18139F
180 (7.1)	165 (6.5)	96 (3.8)	-	-	-	-	NSYSBS18169F
200 (7.9)	200 (7.9)	90 (3.5)	NSYSBS20209	NSYSBS20209S	-	-	-
230 (9.1)	210 (8.3)	126 (5.0)	-	-	-	-	NSYSBS232112F
250 (9.8)	250 (9.8)	100 (3.9)	NSYSBS252510	NSYSBS252510S	-	-	-
300 (11.8)	200 (7.9)	110 (4.3)	-	-	NSYSBS302011R	-	-
300 (11.8)	200 (7.9)	150 (5.9)	-	-	-	NSYSBS302015	-
300 (11.8)	300 (11.8)	100 (3.9)	NSYSBS303010	NSYSBS303010S	-	-	-
300 (11.8)	300 (11.8)	150 (5.9)	-	-	-	NSYSBS303015	-
400 (15.7)	200 (7.9)	110 (4.3)	-	-	NSYSBS402011R	-	-
400 (15.7)	300 (11.8)	150 (5.9)	-	-	-	NSYSBS403015	-
400 (15.7)	400 (15.7)	110 (4.3)	NSYSBS404011	NSYSBS404011S	-	-	-
500 (19.7)	200 (7.9)	110 (4.3)	-	-	NSYSBS502011R	-	-
500 (19.7)	300 (11.8)	110 (4.3)	-	-	NSYSBS503011R	-	-
500 (19.7)	300 (11.8)	200 (7.9)	-	-	-	NSYSBS503020	-
600 (23.6)	200 (7.9)	110 (4.3)	-	-	NSYSBS602011R	-	-
600 (23.6)	300 (11.8)	110 (4.3)	-	-	NSYSBS603011R	-	-

(1) Uprights along small sides (width)

### Metallic junction boxes IP55 (IEC 60529)

	External dimensions: mm (in.)			Models without knock-outs	Models with knock-outs, n° of drill holes, knock-outs and group			Dimensions: mm (in.)			Plain mounting plate	Weight: kg (lbs)
	Height (A)	Width (B)	Depth (C)	Catalog number	Catalog number	Height (A)	Width (B)	D	E	F		
Low cover models	85 (3.3)	85 (3.3)	49 (1.9)	NSYDBN88	NSYDB88M	1 n° 1	1 n° 1	58 (2.3)	58 (2.3)	-	-	0.18 (0.4)
	105 (4.1)	105 (4.1)	49 (1.9)	NSYDBN1010	NSYDB1010M	2 n° 1	1 n° 1	76 (3.0)	76 (3.0)	-	-	0.25 (0.6)
	155 (6.1)	105 (4.1)	61 (2.4)	NSYDBN1510	NSYDB1510M	3 n° 1	1 n° 2	124 (4.9)	74 (2.9)	56 (2.2)	NSYPMD1510	0.38 (0.8)
	206 (8.1)	156 (3.1)	83 (3.3)	NSYDBN2015	NSYDB2015M	3 n° 3	2 n° 3	172 (6.8)	122 (4.8)	78 (3.1)	NSYPMD2015	1 (2.2)
	256 (10.1)	206 (8.1)	93 (3.7)	NSYDBN2520	NSYDB2520M	3 n° 4	2 n° 4	220 (8.7)	170 (6.7)	88 (3.5)	NSYPMD2520	1.5 (3.3)
	307 (12.1)	257 (10.1)	116 (4.6)	NSYDBN3025	NSYDB3025M	2 n° 3, 2 n° 4	3 n° 4	268 (10.6)	218 (8.6)	110 (4.3)	NSYPMD3025	3.3 (7.3)
	357 (14.1)	307 (12.1)	136 (5.4)	NSYDBN3530	NSYDB3530M	2 n° 3, 3 n° 4	2 n° 3, 2 n° 4	318 (12.5)	268 (10.6)	130 (5.1)	NSYPMD3530	4.8 (10.6)
High cover models	155 (6.1)	105 (4.1)	88 (3.5)	NSYDAN1510	NSYDA1510M	3 n° 2	1 n° 2	124 (4.9)	78 (3.1)	83 (3.3)	NSYPMD1510	0.45 (1.0)
	206 (8.1)	156 (3.1)	122 (4.8)	NSYDAN2015	NSYDA2015M	3 n° 3	2 n° 3	172 (6.8)	122 (4.8)	121 (4.8)	NSYPMD2015	1.2 (2.6)
	256 (10.1)	206 (8.1)	140 (5.5)	NSYDAN2520	NSYDA2520M	3 n° 4	2 n° 4	220 (8.7)	170 (6.7)	131 (5.2)	NSYPMD2520	1.9 (4.2)

### Small metallic enclosures IP55 (IEC 60529)

	External dimensions: mm (in.)			Models without knock-outs	Dimensions: mm (in.)				Plain mounting plate	Weight: kg (lbs)
	Height (A)	Width (B)	Depth (C)	Catalog number	D	E	F	G		
Low cover models	206 (8.1)	156 (6.1)	83 (3.3)	NSYDBN2015D	172 (6.8)	122 (4.8)	78 (3.1)	55 (2.2)	NSYPMD2015	1 (2.2)
	256 (10.1)	206 (8.1)	93 (3.7)	NSYDBN2520D	220 (8.7)	170 (6.7)	88 (3.5)	55 (2.2)	NSYPMD2520	1.5 (3.3)
	307 (12.1)	257 (10.1)	116 (4.6)	NSYDBN3025D	268 (10.6)	218 (8.6)	110 (4.3)	55 (2.2)	NSYPMD3025	3.3 (7.3)
	357 (14.1)	307 (12.1)	136 (5.4)	NSYDBN3530D	318 (12.5)	268 (10.6)	130 (5.1)	55 (2.2)	NSYPMD3530	4.8 (10.6)
High cover models	206 (8.1)	156 (6.1)	122 (4.8)	NSYDAN2015D	172 (6.8)	122 (4.8)	121 (4.8)	45 (1.8)	NSYPMD2015	1.2 (2.6)
	256 (10.1)	206 (8.1)	140 (5.5)	NSYDAN2520D	220 (8.7)	170 (6.7)	131 (5.2)	45 (1.8)	NSYPMD2520	1.9 (4.2)
	307 (12.1)	257 (10.1)	174 (6.9)	NSYDAN3025D	268 (10.6)	218 (8.6)	168 (6.6)	45 (1.8)	NSYPMD3025	4 (8.8)
	357 (14.1)	307 (12.1)	210 (8.3)	NSYDAN3530D	318 (12.5)	268 (10.6)	204 (8.0)	45 (1.8)	NSYPMD3530	5.8 (12.8)

### Universal boxes IP66



Overall external dimensions: mm (in.)			Overall internal dimensions: mm (in.)			Body: mm (in.)	Cover: mm (in.)	Material			
Height	Width	Depth	Height	Width	Depth			ABS IP66 IK07		PC-UL IP66 IK08	
						Opaque cover	Transparent cover	Opaque cover	Transparent cover		
74 (2.9)	74 (2.9)	54 (2.1)	65 (2.6)	65 (2.6)	47 (1.9)	37 (1.5)	10 (0.4)	NSYTBS775	-	NSYTBP775	-
89 (3.5)	89 (3.5)	54 (2.1)	80 (3.1)	80 (3.1)	47 (1.9)	37 (1.5)	10 (0.4)	NSYTBS885	-	NSYTBP885	-
116 (4.6)	74 (2.9)	62 (2.4)	105 (4.1)	65 (2.6)	55 (2.2)	45 (1.8)	10 (0.4)	NSYTBS1176	-	NSYTBP1176	-
116 (4.6)	74 (2.9)	94 (3.7)	105 (4.1)	65 (2.6)	85 (3.3)	45 (1.8)	40 (1.6)	NSYTBS1179H	-	-	-
116 (4.6)	116 (4.6)	62 (2.4)	105 (4.1)	105 (4.1)	55 (2.2)	45 (1.8)	10 (0.4)	NSYTBS11116	-	NSYTBP11116	-
116 (4.6)	116 (4.6)	133 (5.2)	105 (4.1)	105 (4.1)	125 (4.9)	45 (1.8)	80 (3.1)	NSYTBS111113H	-	-	-
138 (5.4)	93 (3.7)	72 (2.8)	125 (4.9)	80 (3.1)	65 (2.6)	45 (1.8)	20 (0.8)	NSYTBS1397	NSYTBS1397T	NSYTBP1397	NSYTBP1397T
164 (6.5)	121 (4.8)	87 (3.4)	150 (5.9)	105 (4.1)	80 (3.1)	60 (2.4)	20 (0.8)	NSYTBS16128	NSYTBS16128T	NSYTBP16128	NSYTBP16128T
192 (7.6)	121 (4.8)	87 (3.4)	175 (6.9)	105 (4.1)	80 (3.1)	60 (2.4)	20 (0.8)	NSYTBS19128	NSYTBS19128T	NSYTBP19128	NSYTBP19128T
192 (7.6)	121 (4.8)	105 (4.1)	175 (6.9)	105 (4.1)	100 (3.9)	60 (2.4)	40 (1.6)	NSYTBS191210H	NSYTBS191210HT	NSYTBP191210H	NSYTBP191210HT
192 (7.6)	164 (6.5)	87 (3.4)	175 (6.9)	150 (5.9)	80 (3.1)	60 (2.4)	20 (0.8)	NSYTBS19168	NSYTBS19168T	NSYTBP19168	NSYTBP19168T
192 (7.6)	164 (6.5)	105 (4.1)	175 (6.9)	150 (5.9)	100 (3.9)	60 (2.4)	40 (1.6)	NSYTBS191610H	NSYTBS191610HT	NSYTBP191610H	NSYTBP191610HT
241 (9.5)	194 (7.6)	87 (3.4)	225 (8.9)	175 (6.9)	80 (3.1)	60 (2.4)	20 (0.8)	NSYTBS24198	NSYTBS24198T	NSYTBP24198	NSYTBP24198T
241 (9.5)	194 (7.6)	107 (4.2)	225 (8.9)	175 (6.9)	100 (3.9)	80 (3.1)	20 (0.8)	NSYTBS241910	NSYTBS241910T	NSYTBP241910	NSYTBP241910T
241 (9.5)	194 (7.6)	107 (4.2)	225 (8.9)	175 (6.9)	100 (3.9)	60 (2.4)	40 (1.6)	NSYTBS241910H	NSYTBS241910HT	NSYTBP241910H	NSYTBP241910HT
241 (9.5)	194 (7.6)	127 (5.0)	225 (8.9)	175 (6.9)	120 (4.7)	80 (3.1)	40 (1.6)	NSYTBS241912H	NSYTBS241912HT	NSYTBP241912H	NSYTBP241912HT
291 (11.5)	241 (9.5)	88 (3.5)	275 (10.8)	225 (8.9)	80 (3.1)	60 (2.4)	20 (0.8)	NSYTBS29248	NSYTBS29248T	NSYTBP29248	NSYTBP29248T
291 (11.5)	241 (9.5)	128 (5.0)	275 (10.8)	225 (8.9)	120 (4.7)	100 (3.9)	20 (0.8)	NSYTBS292412	NSYTBS292412T	NSYTBP292412	NSYTBP292412T
291 (11.5)	241 (9.5)	128 (5.0)	275 (10.8)	225 (8.9)	120 (4.7)	60 (2.4)	60 (2.4)	NSYTBS292412H	NSYTBS292412HT	NSYTBP292412H	NSYTBP292412HT
291 (11.5)	241 (9.5)	168 (6.6)	275 (10.8)	225 (8.9)	160 (6.3)	100 (3.9)	60 (2.4)	NSYTBS292416H	NSYTBS292416HT	NSYTBP292416H	NSYTBP292416HT
341 (13.4)	291 (11.5)	128 (5.0)	325 (12.8)	275 (10.8)	120 (4.7)	100 (3.9)	20 (0.8)	NSYTBS342912	NSYTBS342912T	NSYTBP342912	NSYTBP342912T
341 (13.4)	291 (11.5)	168 (6.6)	325 (12.8)	275 (10.8)	160 (6.3)	100 (3.9)	60 (2.4)	NSYTBS342916H	NSYTBS342916HT	NSYTBP342916H	NSYTBP342916HT

### Modular boxes



Dimensions: mm (in.)			Cover boxes				Quantity
Height	Width	Depth	Transparent	Opaque	Polyester	Transparent in batches	
180 (7.1)	270 (10.6)	180 (7.1)	NSYPLS1827	NSYPLSC1827	NSYPLSP1827	NSYPLS1827L	56
270 (10.6)	270 (10.6)	180 (7.1)	NSYPLS2727	NSYPLSC2727	NSYPLSP2727	NSYPLS2727L	56
270 (10.6)	270 (10.6)	230 (9.1)	NSYPLS2727A	NSYPLSC2727A	-	NSYPLS2727AL	56
270 (10.6)	360 (14.2)	180 (7.1)	NSYPLS2736	NSYPLSC2736	NSYPLSP2736	NSYPLS2736L	56
270 (10.6)	360 (14.2)	230 (9.1)	NSYPLS2736	NSYPLSC2736A	-	NSYPLS2736AL	56
270 (10.6)	540 (21.3)	180 (7.1)	NSYPLS2754	NSYPLSC2754	NSYPLSP2754	NSYPLS2754L	28
270 (10.6)	540 (21.3)	230 (9.1)	NSYPLS2754A	NSYPLSC2754A	-	NSYPLS2754AL	28
360 (14.2)	360 (14.2)	180 (7.1)	NSYPLS3636	NSYPLSC3636	NSYPLSP3636	NSYPLS3636L	28
360 (14.2)	540 (21.3)	180 (7.1)	NSYPLS3654	NSYPLSC3654	NSYPLSP3654	NSYPLS3654L	28
360 (14.2)	540 (21.3)	230 (9.1)	NSYPLS3654A	NSYPLSC3654A	-	NSYPLS3654AL	28
360 (14.2)	720 (28.3)	230 (9.1)	NSYPLS3672A	NSYPLSC3672A	-	NSYPLS3672AL	27
540 (21.3)	540 (21.3)	180 (7.1)	NSYPLS5454	NSYPLSC5454	NSYPLSP5454	NSYPLS5454L	14
540 (21.3)	540 (21.3)	230 (9.1)	NSYPLS5454A	NSYPLSC5454A	-	NSYPLS5454AL	14
540 (21.3)	720 (28.3)	230 (9.1)	NSYPLS5472A	NSYPLSC5472A	-	NSYPLS5472AL	14

# Steel wall-mounting enclosures

## Selection guide



**CRN Wall-mounting steel enclosures**

Dimensions: mm (in.)			No. of doors	IP	Weight: kg (lbs) (1)	Plain door with mounting plate	Plain door without mounting plate	Glazed, tempered glass door without mounting plate	
H	W	D							
200 (7.9)	200 (7.9)	150 (5.9)	1	66	2.5	-	NSYCRN22150 (2)	-	
200 (7.9)	300 (11.8)	150 (5.9)	1	66	3.9	-	NSYCRN23150 (2)	-	
250 (9.8)	200 (7.9)	150 (5.9)	1	66	3.2	NSYCRN252150P	NSYCRN252150	-	
300 (11.8)	250 (9.8)	150 (5.9)	1	66	4.2	NSYCRN325150P	NSYCRN325150	NSYCRN325150T	
300 (11.8)	250 (9.8)	200 (7.9)	1	66	4.9	NSYCRN325200P	NSYCRN325200	NSYCRN325200T	
300 (11.8)	300 (11.8)	150 (5.9)	1	66	5	NSYCRN33150P	NSYCRN33150	NSYCRN33150T	
300 (11.8)	300 (11.8)	200 (7.9)	1	66	6	NSYCRN33200P	NSYCRN33200	NSYCRN33200T	
300 (11.8)	400 (15.7)	200 (7.9)	1	66	6.4	-	NSYCRN34200	NSYCRN34200T	
300 (11.8)	450 (17.7)	150 (5.9)	1	66	6.7	-	NSYCRN345150 (2)	-	
400 (15.7)	300 (11.8)	150 (5.9)	1	66	6	NSYCRN43150P	NSYCRN43150	NSYCRN43150T	
400 (15.7)	300 (11.8)	200 (7.9)	1	66	6.8	NSYCRN43200P	NSYCRN43200	NSYCRN43200T	
400 (15.7)	400 (15.7)	200 (7.9)	1	66	8	NSYCRN44200P	NSYCRN44200	NSYCRN44200T	
400 (15.7)	600 (23.6)	250 (9.8)	1	66	10	NSYCRN46250P	NSYCRN46250	NSYCRN46250T	
400 (15.7)	600 (23.6)	300 (11.8)	1	66	11.2	NSYCRN46300P	NSYCRN46300	NSYCRN46300T	
500 (19.7)	400 (15.7)	150 (5.9)	1	66	8.7	NSYCRN54150P	NSYCRN54150	NSYCRN54150T	
500 (19.7)	400 (15.7)	200 (7.9)	1	66	9.8	NSYCRN54200P	NSYCRN54200	NSYCRN54200T	
500 (19.7)	400 (15.7)	250 (9.8)	1	66	11	NSYCRN54250P	NSYCRN54250	NSYCRN54250T	
500 (19.7)	500 (19.7)	250 (9.8)	1	66	12.8	NSYCRN55250P	NSYCRN55250	NSYCRN55250T	
600 (23.6)	400 (15.7)	150 (5.9)	1	66	9.3	NSYCRN64150P	NSYCRN64150	NSYCRN64150T	
600 (23.6)	400 (15.7)	200 (7.9)	1	66	10.8	NSYCRN64200P	NSYCRN64200	NSYCRN64200T	
600 (23.6)	400 (15.7)	250 (9.8)	1	66	12.3	NSYCRN64250P	NSYCRN64250	NSYCRN64250T	
600 (23.6)	500 (19.7)	150 (5.9)	1	66	11.3	NSYCRN65150P	NSYCRN65150	NSYCRN65150T	
600 (23.6)	500 (19.7)	200 (7.9)	1	66	14.3	NSYCRN65200P	NSYCRN65200	NSYCRN65200T	
600 (23.6)	500 (19.7)	250 (9.8)	1	66	16.2	NSYCRN65250P	NSYCRN65250	NSYCRN65250T	
600 (23.6)	600 (23.6)	200 (7.9)	1	66	16.3	-	NSYCRN66200	NSYCRN66200T	
600 (23.6)	600 (23.6)	250 (9.8)	1	66	18.2	NSYCRN66250P	NSYCRN66250	NSYCRN66250T	
600 (23.6)	600 (23.6)	300 (11.8)	1	66	19.8	NSYCRN66300P	NSYCRN66300	NSYCRN66300T	
600 (23.6)	800 (31.5)	300 (11.8)	1	66	26	-	NSYCRN68300	NSYCRN68300T	
700 (27.6)	500 (19.7)	200 (7.9)	1	66	17.3	NSYCRN75200P	NSYCRN75200	NSYCRN75200T	
700 (27.6)	500 (19.7)	250 (9.8)	1	66	19.3	NSYCRN75250P	NSYCRN75250	NSYCRN75250T	
800 (31.5)	600 (23.6)	200 (7.9)	1	66	21.8	NSYCRN86200P	NSYCRN86200	NSYCRN86200T	
800 (31.5)	600 (23.6)	250 (9.8)	1	66	24.8	NSYCRN86250P	NSYCRN86250	NSYCRN86250T	
800 (31.5)	600 (23.6)	300 (11.8)	1	66	26.3	NSYCRN86300P	NSYCRN86300	NSYCRN86300T	
800 (31.5)	800 (31.5)	200 (7.9)	1	66	29.5	NSYCRN88200P	NSYCRN88200	NSYCRN88200T	
800 (31.5)	800 (31.5)	300 (11.8)	1	66	32.5	NSYCRN88300P	NSYCRN88300	NSYCRN88300T	
1000 (39.4)	600 (23.6)	250 (9.8)	1	66	28.4	NSYCRN106250P	NSYCRN106250	NSYCRN106250T	
1000 (39.4)	600 (23.6)	300 (11.8)	1	66	30.6	NSYCRN106300P	NSYCRN106300	NSYCRN106300T	
1000 (39.4)	800 (31.5)	250 (9.8)	1	66	34.5	NSYCRN108250P	NSYCRN108250	NSYCRN108250T	
1000 (39.4)	800 (31.5)	300 (11.8)	1	66	37.4	NSYCRN108300P	NSYCRN108300	NSYCRN108300T	

**CRNG Wall-mounting steel enclosures with three-point locking system**

800 (31.5)	600 (23.6)	400 (15.7)	1	66	30	-	NSYCRNG86400	NSYCRNG86400T	
800 (31.5)	1000 (39.4)	300 (11.8)	2	55	40	-	NSYCRNG810300D	-	
800 (31.5)	1200 (47.2)	300 (11.8)	2	55	46	-	NSYCRNG812300D	-	
1000 (39.4)	600 (23.6)	400 (15.7)	1	66	36	-	NSYCRNG106400	NSYCRNG106400T	
1000 (39.4)	800 (31.5)	400 (15.7)	1	66	43	-	NSYCRNG108400	NSYCRNG108400T	
1000 (39.4)	1000 (39.4)	300 (11.8)	2	55	47	-	NSYCRNG1010300D	NSYCRNG1010300T	
1000 (39.4)	1200 (47.2)	300 (11.8)	2	55	55	-	NSYCRNG1012300D	-	
1000 (39.4)	1200 (47.2)	400 (15.7)	2	55	60	-	NSYCRNG1012400D	-	
1200 (47.2)	600 (23.6)	300 (11.8)	1	66	37	-	NSYCRNG126300	NSYCRNG126300T	
1200 (47.2)	600 (23.6)	400 (15.7)	1	66	42	-	NSYCRNG126400	NSYCRNG126400T	
1200 (47.2)	800 (31.5)	300 (11.8)	1	66	45	-	NSYCRNG128300	NSYCRNG128300T	
1200 (47.2)	800 (31.5)	400 (15.7)	1	66	50	-	NSYCRNG128400	NSYCRNG128400T	
1200 (47.2)	1000 (39.4)	300 (11.8)	2	55	56	-	NSYCRNG1210300D	-	
1200 (47.2)	1000 (39.4)	400 (15.7)	2	55	61	-	NSYCRNG1210400D	-	
1200 (47.2)	1200 (47.2)	300 (11.8)	2	55	64	-	NSYCRNG1212300D	-	
1200 (47.2)	1200 (47.2)	400 (15.7)	2	55	90	-	NSYCRNG1212400D	-	
1400 (55.1)	1000 (39.4)	300 (11.8)	2	55	80	-	NSYCRNG1410300D	-	

(1) Enclosure without mounting plate.

(2) Two cable-gland plates, one on the top, one on the bottom.



	Plain	Microperforated	Telequick™	Bakelite®	DIN rails chassis	Step slides
	Page 8/2	Page 8/3	Page 8/4	Page 8/5	Page 8/6	Page 8/7
	NSYMM22	-	-	-	-	-
	NSYMM32	NSYMF32	-	NSYMB32	-	-
	NSYMM2520	-	-	-	-	-
	NSYMM3025	-	NSYMR3025	NSYMB3025	-	-
	NSYMM3025	-	NSYMR3025	NSYMB3025	-	NSYSDCR200
	NSYMM33	NSYMF33	NSYMR33	NSYMB33	NSYMD33	-
	NSYMM33	NSYMF33	NSYMR33	NSYMB33	NSYMD33	NSYSDCR200
	NSYMM43	NSYMF43	NSYMR34	NSYMB43	-	NSYSDCR200
	NSYMM3045	-	-	NSYMB43	-	-
	NSYMM43	NSYMF43	NSYMR43	NSYMB43	NSYMD43	-
	NSYMM43	NSYMF43	NSYMR43	NSYMB43	NSYMD43	NSYSDCR200
	NSYMM44	NSYMF44	NSYMR44	-	-	NSYSDCR200
	NSYMM64	NSYMF64	NSYMR46	NSYMB64	-	NSYSDCR250
	NSYMM64	NSYMF64	NSYMR46	NSYMB64	-	NSYSDCR300
	NSYMM54	NSYMF54	NSYMR54	NSYMB54	NSYMD54	-
	NSYMM54	NSYMF54	NSYMR54	NSYMB54	NSYMD54	NSYSDCR200
	NSYMM54	NSYMF54	NSYMR54	NSYMB54	NSYMD54	NSYSDCR250
	NSYMM55	NSYMF55	NSYMR55	-	-	NSYSDCR250
	NSYMM64	NSYMF64	NSYMR64	NSYMB64	NSYMD64	-
	NSYMM64	NSYMF64	NSYMR64	NSYMB64	NSYMD64	NSYSDCR200
	NSYMM64	NSYMF64	NSYMR64	NSYMB64	NSYMD64	NSYSDCR250
	NSYMM65	NSYMF65	NSYMR65	NSYMB65	-	-
	NSYMM65	NSYMF65	NSYMR65	NSYMB65	-	NSYSDCR200
	NSYMM65	NSYMF65	NSYMR65	NSYMB65	-	NSYSDCR250
	NSYMM66	NSYMF66	NSYMR66	-	NSYMD66	NSYSDCR200
	NSYMM66	NSYMF66	NSYMR66	-	NSYMD66	NSYSDCR250
	NSYMM66	NSYMF66	NSYMR66	-	NSYMD66	NSYSDCR300
	NSYMM86	NSYMF86	NSYMR68	-	-	NSYSDCR300
	NSYMM75	NSYMF75	NSYMR75	NSYMB75	NSYMD75	NSYSDCR200
	NSYMM75	NSYMF75	NSYMR75	NSYMB75	NSYMD75	NSYSDCR250
	NSYMM86	NSYMF86	NSYMR86	NSYMB86	NSYMD86	NSYSDCR200
	NSYMM86	NSYMF86	NSYMR86	NSYMB86	NSYMD86	NSYSDCR250
	NSYMM86	NSYMF86	NSYMR86	NSYMB86	NSYMD86	NSYSDCR300
	NSYMM88	NSYMF88	NSYMR88	-	-	NSYSDCR200
	NSYMM86	NSYMF88	NSYMR88	-	-	NSYSDCR300
	NSYMM106	NSYMF106	NSYMR106	NSYMB106	-	NSYSDCR250
	NSYMM106	NSYMF106	NSYMR106	NSYMB106	-	NSYSDCR300
	NSYMM108	NSYMF108	NSYMR108	NSYMB108	NSYMD108	NSYSDCR250
	NSYMM108	NSYMF108	NSYMR108	NSYMB108	NSYMD108	NSYSDCR300
	NSYMM86	NSYMF86	NSYMR86	NSYMB86	NSYMD86	NSYSDCR400
	NSYMM108	NSYMF108	NSYMR810	-	-	NSYSDCR300
	NSYMM128	NSYMF128	2 × NSYMR86 (3)	-	-	NSYSDCR300 (4)
	NSYMM106	NSYMF106	NSYMR106	NSYMB106	-	NSYSDCR400
	NSYMM108	NSYMF108	NSYMR108	NSYMB108	NSYMD108	NSYSDCR400
	NSYMM1010	NSYMF1010	NSYMR1010	NSYMB1210	-	NSYSDCR300
	NSYMM1210	NSYMF1210	NSYMR1012	NSYMB1210	-	NSYSDCR300
	NSYMM1210	NSYMF1210	NSYMR1012	-	-	NSYSDCR400 (4)
	NSYMM126	NSYMF126	NSYMR126	-	-	NSYSDCR300
	NSYMM126	NSYMF126	NSYMR126	-	-	NSYSDCR400
	NSYMM128	NSYMF128	NSYMR128	-	NSYMD128	NSYSDCR300
	NSYMM128	NSYMF128	NSYMR128	-	NSYMD128	NSYSDCR400
	NSYMM1210	NSYMF1210	NSYMR1210	NSYMB1210	-	NSYSDCR300
	NSYMM1210	NSYMF1210	NSYMR1210	NSYMB1210	-	NSYSDCR400
	NSYMM1212	2 × NSYMF126	2 × NSYMR126	-	-	NSYSDCR300 (4)
	NSYMM1212	2 × NSYMF126	2 × NSYMR126	-	-	NSYSDCR400 (4)
	NSYMM1410	-	NSYMR1410	-	-	NSYSDCR300

(3) Order NSYCRNGSDR to mount double mounting plate.

(4) Except for double mounting plate, order in addition catalog no. NSYSDRSDCR300 (D300) or NSYSDRSDCR400 (D400).

Bakelite® is a registered trademark of Union Carbide.

# Wall-mounting enclosures

## Selection guide

1



Dimensions (mm and Inches)						Number of doors	IP	Spacial S3DC painted steel enclosures	Spacial S3X Stainless steel 304L
H (mm)	W (mm)	D (mm)	H (in.)	W (in.)	D (in.)			Plain door without mounting plate	Plain door without mounting plate
300	200	150	11.81	7.87	5.91	1	66	NSYS3DC3215	NSYS3X3215
300	300	150	11.81	11.81	5.91	1	66	NSYS3DC3315	NSYS3X3315
300	300	200	11.81	11.81	7.87	1	66	NSYS3DC3320	-
400	300	150	15.75	11.81	5.91	1	66	NSYS3DC4315	NSYS3X4315
400	300	200	15.75	11.81	7.87	1	66	NSYS3DC4320	NSYS3X4320
400	400	200	15.75	15.75	7.87	1	66	NSYS3DC4420	NSYS3X4420
500	400	200	19.69	15.75	7.87	1	66	NSYS3DC5420	NSYS3X5420
500	400	250	19.69	15.75	9.84	1	66	NSYS3DC5425	-
500	500	200	19.69	19.69	7.87	1	66	NSYS3DC5520	-
500	500	250	19.69	19.69	9.84	1	66	NSYS3DC5525	-
600	400	200	23.62	15.75	7.87	1	66	NSYS3DC6420	NSYS3X6420
600	400	250	23.62	15.75	9.84	1	66	NSYS3DC6425	-
600	600	200	23.62	23.62	7.87	1	66	NSYS3DC6620	-
600	600	250	23.62	23.62	9.84	1	66	NSYS3DC6625	NSYS3X6625
600	600	300	23.62	23.62	11.81	1	66	NSYS3DC6630	-
700	500	250	27.56	19.69	9.84	1	66	NSYS3DC7525	NSYS3X7525
800	600	200	31.50	23.62	7.87	1	66	NSYS3DC8620	-
800	600	250	31.50	23.62	9.84	1	66	NSYS3DC8625	NSYS3X8625
800	600	300	31.50	23.62	11.81	1	66	NSYS3DC8630	-
800	600	400	31.50	23.62	15.75	1	66	NSYS3DC8640	-
800	800	250	31.50	31.50	9.84	1	66	NSYS3DC8825	-
800	800	300	31.50	31.50	11.81	1	66	NSYS3DC8830	NSYS3X8830
1000	600	250	39.37	23.62	9.84	1	66	NSYS3D10625	-
1000	800	250	39.37	31.50	9.84	1	66	NSYS3DC10825	-
1000	800	300	39.37	31.50	11.81	1	66	NSYS3DC10830	NSYS3X10830
1000	800	400	39.37	31.50	15.75	1	66	NSYS3DC10840	-
1000	1000	300	39.37	39.37	11.81	1	66	NSYS3DC101030	-
1200	800	300	47.24	31.50	11.81	1	66	NSYS3DC12830	NSYS3X12830
1200	800	400	47.24	31.50	15.75	1	66	NSYS3DC12840	-
1200	1000	300	47.24	39.37	11.81	1	66	NSYS3DC121030	-

Wall mounting bracket (x4)		
	Steel	NSYAEFPFSC
	Stainless steel	NSYPFPCX
	Polyester	NSYPFPLM

Lighting		
	Neon light magnetic or mechanical mounting	NSYLAM75
	Door contact S3DC/S3X	NSYINLCRN

Mounting		
	M6 nut for PLM direct mounting	NSYTCSPML
	Self-tapping screw for microperforated mounting plate	NSYS13M5HS
	Hexagonal screw M6 x 12 for alum. upright	NSYS12M6H
	Hexagonal screw M6 x 16 for alum. upright	NSYS16M6H
	Hexagonal screw M6 x 18 for alum. upright	NSYS18M6H
	M6 nut for alum. upright	NSYNM6

Door accessories		
	Door cable trunking support for Ø 0.86 in / 22 mm (x10)	NSYSPCP
	Plastic document pocket A4, d = 20 mm	NSYDPA4
	Plastic document pocket A4, d = 40 mm	NSYDPA44
	Plastic window 248 x 235 x 13	NSYVA2736M
	Plastic window 78 x 95 x 15	NSYVA274M

# Spacial S3DC - S3X Thalassa PLM



	Spacial S3XH Stainless steel 316L	Thalassa PLM Polyester	Plain mounting plate painted white	Plain mounting plate galvanized	Microperforated mounting plate	Perforated (Telequick)*	Aluminum upright**
	Plain door without mounting plate	Plain door without mounting plate					
	NSYS3X3215H	NSYPLM32	NSYMM32WH	NSYMM32	NSYMF32	NSYMR32	NSYMDVR3
	NSYS3X3315H	-	NSYMM33WH	NSYMM33	NSYMF33	NSYMR33	NSYMDVR3
	-	-	NSYMM33WH	NSYMM33	NSYMF33	NSYMR33	NSYMDVR3
	NSYS3X4315H	-	NSYMM43WH	NSYMM43	NSYMF43	NSYMR43	NSYMDVR4
	NSYS3X4320H	NSYPLM43	NSYMM43WH	NSYMM43	NSYMF43	NSYMR43	NSYMDVR4
	NSYS3X4420H	-	NSYMM44WH	NSYMM44	NSYMF44	NSYMR44	NSYMDVR4
	NSYS3X5420H	NSYPLM54	NSYMM54WH	NSYMM54	NSYMF54	NSYMR54	NSYMDVR5
	-	-	NSYMM54WH	NSYMM54	NSYMF54	NSYMR54	NSYMDVR5
	-	-	NSYMM55WH	NSYMM55	NSYMF55	NSYMR55	NSYMDVR5
	-	-	NSYMM55WH	NSYMM55	NSYMF55	NSYMR55	NSYMDVR5
	NSYS3X6420H	-	NSYMM64WH	NSYMM64	NSYMF64	NSYMR64	NSYMDVR6
	-	NSYPLM64	NSYMM64WH	NSYMM64	NSYMF64	NSYMR64	NSYMDVR6
	-	-	NSYMM66WH	NSYMM66	NSYMF66	NSYMR66	NSYMDVR6
	NSYS3X6625H	-	NSYMM66WH	NSYMM66	NSYMF66	NSYMR66	NSYMDVR6
	-	-	NSYMM66WH	NSYMM66	NSYMF66	NSYMR66	NSYMDVR6
	NSYS3X7525H	-	NSYMM75WH	NSYMM75	NSYMF75	NSYMR75	NSYMDVR7
	-	-	NSYMM86WH	NSYMM86	NSYMF86	NSYMR86	NSYMDVR8
	NSYS3X8625H	-	NSYMM86WH	NSYMM86	NSYMF86	NSYMR86	NSYMDVR8
	-	NSYPLM86	NSYMM86WH	NSYMM86	NSYMF86	NSYMR86	NSYMDVR8
	-	-	NSYMM86WH	NSYMM86	NSYMF86	NSYMR86	NSYMDVR8
	-	-	NSYMM88WH	NSYMM88	NSYMF88	NSYMR88	NSYMDVR8
	NSYS3X8830H	-	NSYMM88WH	NSYMM88	NSYMF88	NSYMR88	NSYMDVR8
	-	-	NSYMM106WH	NSYMM106	NSYMF106	NSYMR106	NSYMDVR10
	-	-	NSYMM108WH	NSYMM108	NSYMF108	NSYMR108	NSYMDVR10
	NSYS3X10830H	NSYPLM108	NSYMM108WH	NSYMM108	NSYMF108	NSYMR108	NSYMDVR10
	-	-	NSYMM108WH	NSYMM108	NSYMF108	NSYMR108	NSYMDVR10
	-	-	NSYMM1010WH	NSYMM1010	NSYMF1010	NSYMR1010	NSYMDVR10
	NSYS3X12830H	-	NSYMM128WH	NSYMM128	NSYMF128	NSYMR128	NSYMDVR12
	-	-	NSYMM128WH	NSYMM128	NSYMF128	NSYMR128	NSYMDVR12
	-	-	NSYMM1210WH	NSYMM1210	NSYMF1210	NSYMR1210	NSYMDVR12

\*NSYEMR is mandatory for Spacial S3DC enclosure width > 1000 mm.  
\*\*NSYAMCSF mandatory for S3DC and S3X enclosures.

Grounding	
	Grounding lead 160, sec.6² <b>NSYEL166D8</b>
	Grounding lead L350, sec.25² <b>NSYEL3525D8</b>
	Grounding strip connection points 87 <b>NSYECB1M153</b>
	2 grounding collector supports <b>NSYEDCOS</b>
	2 grounding collector rail supports <b>NSYEDCOC</b>

Locking system	
	Screwdriver insert for Thalassa PLM <b>NSYAEPLSD</b>

# Steel floor-standing enclosures

## Selection guide



Nominal dimensions: mm (in.)			No. of doors	Spacial SF						
Height	Width	Depth		Plain door		Transparent door	Side panels (mounting from the outside)	Cable-gland plate		
				With mounting plate	Without mounting plate	Without mounting plate		Plain	1 entry	2 entries
1200 (47.2)	600 (23.6)	400 (15.7)	1	NSYSF12640P	NSYSF12640	-	NSY2SP124	NSYEC64	NSYEC641	-
1200 (47.2)	600 (23.6)	600 (23.6)	1	NSYSF12660P	NSYSF12660	-	NSY2SP126	NSYEC66	NSYEC661	NSYEC662
1200 (47.2)	800 (31.5)	300 (11.8)	1	-	-	-	-	-	-	-
1200 (47.2)	800 (31.5)	400 (15.7)	1	NSYSF12840P	NSYSF12840	-	NSY2SP124	NSYEC84	NSYEC841	-
1200 (47.2)	800 (31.5)	600 (23.6)	1	NSYSF12860P	NSYSF12860	-	NSY2SP126	NSYEC86	NSYEC861	NSYEC862
1200 (47.2)	1000 (39.4)	300 (11.8)	2	-	-	-	-	-	-	-
1200 (47.2)	1200 (47.2)	400 (15.7)	2	-	-	-	-	-	-	-
1400 (55.1)	600 (23.6)	300 (11.8)	1	-	-	-	-	-	-	-
1400 (55.1)	600 (23.6)	400 (15.7)	1	NSYSF14640P	NSYSF14640	-	NSY2SP144	NSYEC64	NSYEC641	-
1400 (55.1)	800 (31.5)	300 (11.8)	1	-	-	-	-	-	-	-
1400 (55.1)	800 (31.5)	400 (15.7)	1	NSYSF14840P	NSYSF14840	-	NSY2SP144	NSYEC84	NSYEC841	-
1400 (55.1)	1000 (39.4)	400 (15.7)	2	-	-	-	-	-	-	-
1400 (55.1)	1200 (47.2)	400 (15.7)	2	-	-	-	-	-	-	-
1600 (63.0)	600 (23.6)	300 (11.8)	1	-	-	-	-	-	-	-
1600 (63.0)	600 (23.6)	400 (15.7)	1	-	-	-	-	-	-	-
1600 (63.0)	600 (23.6)	600 (23.6)	1	NSYSF16660P	NSYSF16660	-	NSY2SP166	NSYEC66	NSYEC661	NSYEC662
1600 (63.0)	600 (23.6)	800 (31.5)	1	NSYSF16680P	NSYSF16680	-	NSY2SP168	NSYEC68	NSYEC681	NSYEC682
1600 (63.0)	800 (31.5)	300 (11.8)	1	-	-	-	-	-	-	-
1600 (63.0)	800 (31.5)	400 (15.7)	1	-	-	-	-	-	-	-
1600 (63.0)	800 (31.5)	600 (23.6)	1	NSYSF16860P	NSYSF16860	-	NSY2SP166	NSYEC86	NSYEC861	NSYEC862
1600 (63.0)	800 (31.5)	800 (31.5)	1	NSYSF16880P	NSYSF16880	-	NSY2SP168	NSYEC88	NSYEC881	NSYEC882
1600 (63.0)	1000 (39.4)	300 (11.8)	2	-	-	-	-	-	-	-
1600 (63.0)	1000 (39.4)	400 (15.7)	2	-	-	-	-	-	-	-
1600 (63.0)	1200 (47.2)	300 (11.8)	2	-	-	-	-	-	-	-
1600 (63.0)	1200 (47.2)	400 (15.7)	2	-	-	-	-	-	-	-
1800 (70.9)	400 (15.7)	400 (15.7)	1	-	NSYSF18440	-	NSY2SP184	NSYEC44	NSYEC441	-
1800 (70.9)	400 (15.7)	500 (19.7)	1	-	NSYSF18450	-	NSY2SP185	NSYEC45	NSYEC451	-
1800 (70.9)	400 (15.7)	600 (23.6)	1	-	NSYSF18460	-	NSY2SP186	NSYEC46	NSYEC461	NSYEC462
1800 (70.9)	600 (23.6)	300 (11.8)	1	-	-	-	-	-	-	-
1800 (70.9)	600 (23.6)	400 (15.7)	1	NSYSF18640P	NSYSF18640	NSYSF18640T	NSY2SP184	NSYEC64	NSYEC641	-
1800 (70.9)	600 (23.6)	500 (19.7)	1	NSYSF18650P	NSYSF18650	NSYSF18650T	NSY2SP185	NSYEC65	NSYEC651	-
1800 (70.9)	600 (23.6)	600 (23.6)	1	NSYSF18660P	NSYSF18660	-	NSY2SP186	NSYEC66	NSYEC661	NSYEC662
1800 (70.9)	600 (23.6)	800 (31.5)	1	-	-	NSYSF18680T	NSY2SP188	NSYEC68	NSYEC681	NSYEC682
1800 (70.9)	800 (31.5)	300 (11.8)	1	-	-	-	-	-	-	-
1800 (70.9)	800 (31.5)	400 (15.7)	1	NSYSF18840P	NSYSF18840	NSYSF18840T	NSY2SP184	NSYEC84	NSYEC841	-
1800 (70.9)	800 (31.5)	500 (19.7)	1	NSYSF18850P	NSYSF18850	NSYSF18850T	NSY2SP185	NSYEC85	NSYEC851	-
1800 (70.9)	800 (31.5)	600 (23.6)	1	NSYSF18860P	NSYSF18860	NSYSF18860T	NSY2SP186	NSYEC86	NSYEC861	NSYEC862
1800 (70.9)	800 (31.5)	600 (23.6)	2	NSYSF18860ZDP	NSYSF18860ZD	-	NSY2SP186	NSYEC86	NSYEC861	NSYEC862
1800 (70.9)	1000 (39.4)	400 (15.7)	1	NSYSF181040P	NSYSF181040	-	NSY2SP184	NSYEC104	NSYEC1041	-
1800 (70.9)	1000 (39.4)	400 (15.7)	2	NSYSF181040ZDP	NSYSF181040ZD	-	NSY2SP184	NSYEC104	NSYEC1041	-
1800 (70.9)	1000 (39.4)	500 (19.7)	1	NSYSF181050P	NSYSF181050	-	NSY2SP185	NSYEC105	NSYEC1051	-
1800 (70.9)	1000 (39.4)	500 (19.7)	2	-	-	-	-	-	-	-
1800 (70.9)	1000 (39.4)	600 (23.6)	1	NSYSF181060P	NSYSF181060	-	NSY2SP186	NSYEC106	NSYEC1061	NSYEC1062
1800 (70.9)	1000 (39.4)	600 (23.6)	2	NSYSF181060ZDP	NSYSF181060ZD	-	NSY2SP186	NSYEC106	NSYEC1061	NSYEC1062
1800 (70.9)	1200 (47.2)	400 (15.7)	2	NSYSF181240ZDP	NSYSF181240ZD	-	NSY2SP184	NSYEC124	NSYEC1241	-
1800 (70.9)	1200 (47.2)	500 (19.7)	2	NSYSF181250ZDP	NSYSF181250ZD	-	NSY2SP185	NSYEC125	NSYEC1251	-
1800 (70.9)	1200 (47.2)	600 (23.6)	2	NSYSF181260ZDP	NSYSF181260ZD	-	NSY2SP186	NSYEC126	NSYEC1261	NSYEC1262
1800 (70.9)	1600 (63.0)	400 (15.7)	2	-	-	-	-	-	-	-
1800 (70.9)	1600 (63.0)	500 (19.7)	2	-	-	-	-	-	-	-
2000 (78.7)	300 (11.8)	500 (19.7)	1	-	NSYSF20350	-	NSY2SP205	NSYEC35	NSYEC351	-
2000 (78.7)	300 (11.8)	600 (23.6)	1	-	NSYSF20360	-	NSY2SP206	NSYEC36	NSYEC361	-
2000 (78.7)	400 (15.7)	400 (15.7)	1	-	NSYSF20440	-	NSY2SP204	NSYEC44	NSYEC441	-
2000 (78.7)	400 (15.7)	500 (19.7)	1	-	NSYSF20450	-	NSY2SP205	NSYEC45	NSYEC451	-
2000 (78.7)	400 (15.7)	600 (23.6)	1	-	NSYSF20460	-	NSY2SP206	NSYEC46	NSYEC461	NSYEC462
2000 (78.7)	400 (15.7)	800 (31.5)	1	-	NSYSF20480	-	NSY2SP208	NSYEC48	NSYEC481	NSYEC482
2000 (78.7)	600 (23.6)	300 (11.8)	1	-	-	-	-	-	-	-
2000 (78.7)	600 (23.6)	400 (15.7)	1	NSYSF20640P	NSYSF20640	NSYSF20640T	NSY2SP204	NSYEC64	NSYEC641	-
2000 (78.7)	600 (23.6)	500 (19.7)	1	NSYSF20650P	NSYSF20650	NSYSF20650T	NSY2SP205	NSYEC65	NSYEC651	-
2000 (78.7)	600 (23.6)	600 (23.6)	1	NSYSF20660P	NSYSF20660	-	NSY2SP206	NSYEC66	NSYEC661	NSYEC662
2000 (78.7)	600 (23.6)	800 (31.5)	1	NSYSF20680P	NSYSF20680	-	NSY2SP208	NSYEC68	NSYEC681	NSYEC682
2000 (78.7)	800 (31.5)	300 (11.8)	1	-	-	-	-	-	-	-
2000 (78.7)	800 (31.5)	400 (15.7)	1	NSYSF20840P	NSYSF20840	NSYSF20840T	NSY2SP204	NSYEC84	NSYEC841	-
2000 (78.7)	800 (31.5)	500 (19.7)	1	NSYSF20850P	NSYSF20850	NSYSF20850T	NSY2SP205	NSYEC85	NSYEC851	-
2000 (78.7)	800 (31.5)	600 (23.6)	1	NSYSF20860P	NSYSF20860	NSYSF20860T	NSY2SP206	NSYEC86	NSYEC861	NSYEC862
2000 (78.7)	800 (31.5)	600 (23.6)	2	NSYSF20860ZDP	NSYSF20860ZD	-	NSY2SP206	NSYEC86	NSYEC861	NSYEC862
2000 (78.7)	800 (31.5)	800 (31.5)	1	NSYSF20880P	NSYSF20880	NSYSF20880T	NSY2SP208	NSYEC88	NSYEC881	NSYEC882
2000 (78.7)	1000 (39.4)	400 (15.7)	1	NSYSF201040P	NSYSF201040	NSYSF201040T	NSY2SP204	NSYEC104	NSYEC1041	-
2000 (78.7)	1000 (39.4)	400 (15.7)	2	NSYSF201040ZDP	NSYSF201040ZD	-	NSY2SP204	NSYEC104	NSYEC1041	-
2000 (78.7)	1000 (39.4)	500 (19.7)	1	NSYSF201050P	NSYSF201050	NSYSF201050T	NSY2SP205	NSYEC105	NSYEC1051	-
2000 (78.7)	1000 (39.4)	500 (19.7)	2	NSYSF201050ZDP	NSYSF201050ZD	-	NSY2SP205	NSYEC105	NSYEC1051	-
2000 (78.7)	1000 (39.4)	600 (23.6)	1	NSYSF201060P	NSYSF201060	NSYSF201060T	NSY2SP206	NSYEC106	NSYEC1061	NSYEC1062
2000 (78.7)	1000 (39.4)	600 (23.6)	2	NSYSF201060ZDP	NSYSF201060ZD	-	NSY2SP206	NSYEC106	NSYEC1061	NSYEC1062
2000 (78.7)	1000 (39.4)	800 (31.5)	1	NSYSF201080P	NSYSF201080	-	NSY2SP208	NSYEC108	NSYEC1081	NSYEC1082
2000 (78.7)	1200 (47.2)	400 (15.7)	2	NSYSF201240ZDP	NSYSF201240ZD	-	NSY2SP204	NSYEC124	NSYEC1241	-
2000 (78.7)	1200 (47.2)	500 (19.7)	2	NSYSF201250ZDP	NSYSF201250ZD	-	NSY2SP205	NSYEC125	NSYEC1251	-
2000 (78.7)	1200 (47.2)	600 (23.6)	2	NSYSF201260ZDP	NSYSF201260ZD	-	NSY2SP206	NSYEC126	NSYEC1261	NSYEC1262
2000 (78.7)	1200 (47.2)	800 (31.5)	2	NSYSF201280ZDP	NSYSF201280ZD	-	NSY2SP208	NSYEC128	NSYEC1281	NSYEC1282
2000 (78.7)	1600 (63.0)	400 (15.7)	2	NSYSF201640ZDP	NSYSF201640ZD	-	NSY2SP204	NSYEC164	NSYEC1641	-
2000 (78.7)	1600 (63.0)	500 (19.7)	2	NSYSF201650ZDP	NSYSF201650ZD	-	NSY2SP205	NSYEC165	NSYEC1651	-
2000 (78.7)	1600 (63.0)	600 (23.6)	2	NSYSF201660ZDP	NSYSF201660ZD	-	NSY2SP206	NSYEC166	NSYEC1661	NSYEC1662
2200 (86.6)	400 (15.7)	600 (23.6)	1	-	NSYSF22460	-	NSY2SP226	NSYEC46	NSYEC461	NSYEC462
2200 (86.6)	600 (23.6)	600 (23.6)	1	NSYSF22660P	NSYSF22660	-	NSY2SP226	NSYEC66	NSYEC661	NSYEC662
2200 (86.6)	600 (23.6)	800 (31.5)	1	NSYSF22680P	NSYSF22680	-	NSY2SP228	NSYEC68	NSYEC681	NSYEC682
2200 (86.6)	800 (31.5)	600 (23.6)	1	NSYSF22860P	NSYSF22860	-	NSY2SP226	NSYEC86	NSYEC861	NSYEC862
2200 (86.6)	800 (31.5)	800 (31.5)	1	NSYSF22880P	NSYSF22880	NSYSF22880T	NSY2SP228	NSYEC88	NSYEC881	NSYEC882
2200 (86.6)	1000 (39.4)	600 (23.6)	1	NSYSF221060P	NSYSF221060	-	NSY2SP226	NSYEC106	NSYEC1061	NSYEC1062
2200 (86.6)	1200 (47.2)	600 (23.6)	2	NSYSF221260ZDP	NSYSF221260ZD	-	NSY2SP226	NSYEC126	NSYEC1261	NSYEC1262
2200 (86.6)	1200 (47.2)	800 (31.5)	2	NSYSF221280ZDP	NSYSF221280ZD	-	NSY2SP228	NSYEC128	NSYEC1281	NSYEC1282

# Spacial SF - SM



Spacial SM						Accessories SF - SM				
Plain door		Transparent door	Vertical adaptation profiles	Horizontal adaptation profiles	Mounting plate	Plinth height 100 mm (3.9 in.)		Plinth height 200 mm (7.9 in.)		
With mounting plate	Without mounting plate	Without mounting plate				Front kit	Side panels	Front kit	Side panels	
-	-	-	-	-	NSYMP126	NSYSPF6100	NSYSPS4100	NSYSPF6200	NSYSPS4200	
-	-	-	-	-	NSYMP126	NSYSPF6100	NSYSPS6100	NSYSPF6200	NSYSPS6200	
NSYSM12830P	NSYSM12830	-	NSYSMVR12	NSYSMHR8	NSYMP128	NSYSPF8100	NSYSPS3100	NSYSPF8200	NSYSPS3200	
-	-	-	-	-	NSYMP128	NSYSPF8100	NSYSPS4100	NSYSPF8200	NSYSPS4200	
-	-	-	-	-	NSYMP128	NSYSPF8100	NSYSPS6100	NSYSPF8200	NSYSPS6200	
NSYSM1210302DP	NSYSM1210302D	-	NSYSMVR12	NSYSMHR10	NSYMP1210	NSYSPF10100	NSYSPS3100	NSYSPF10200	NSYSPS3200	
NSYSM1212402DP	NSYSM1212402D	-	NSYSMVR12	NSYSMHR12	NSYMP1210	NSYSPF12100	NSYSPS4100	NSYSPF12200	NSYSPS4200	
NSYSM14630P	NSYSM14630	-	NSYSMVR14	NSYSMHR6	NSYMP146	NSYSPF6100	NSYSPS3100	NSYSPF6200	NSYSPS3200	
NSYSM14640P	NSYSM14640	-	NSYSMVR14	NSYSMHR6	NSYMP146	NSYSPF6100	NSYSPS4100	NSYSPF6200	NSYSPS4200	
NSYSM14830P	NSYSM14830	-	NSYSMVR14	NSYSMHR8	NSYMP148	NSYSPF8100	NSYSPS3100	NSYSPF8200	NSYSPS3200	
NSYSM14840P	NSYSM14840	NSYSM14840T	NSYSMVR14	NSYSMHR8	NSYMP148	NSYSPF8100	NSYSPS4100	NSYSPF8200	NSYSPS4200	
NSYSM1410402DP	NSYSM1410402D	-	NSYSMVR14	NSYSMHR10	NSYMP1410	NSYSPF10100	NSYSPS4100	NSYSPF10200	NSYSPS4200	
NSYSM1412402DP	NSYSM1412402D	-	NSYSMVR14	NSYSMHR12	NSYMP1412	NSYSPF12100	NSYSPS4100	NSYSPF12200	NSYSPS4200	
NSYSM16630P	NSYSM16630	-	NSYSMVR16	NSYSMHR6	NSYMP166	NSYSPF6100	NSYSPS3100	NSYSPF6200	NSYSPS3200	
NSYSM16640P	NSYSM16640	NSYSM16640T	NSYSMVR16	NSYSMHR6	NSYMP166	NSYSPF6100	NSYSPS4100	NSYSPF6200	NSYSPS4200	
-	-	-	-	-	NSYMP166	NSYSPF6100	NSYSPS6100	NSYSPF6200	NSYSPS6200	
-	-	-	-	-	NSYMP166	NSYSPF6100	NSYSPS8100	NSYSPF6200	NSYSPS8200	
NSYSM16830P	NSYSM16830	NSYSM16830T	NSYSMVR16	NSYSMHR8	NSYMP168	NSYSPF8100	NSYSPS3100	NSYSPF8200	NSYSPS3200	
NSYSM16840P	NSYSM16840	NSYSM16840T	NSYSMVR16	NSYSMHR8	NSYMP168	NSYSPF8100	NSYSPS4100	NSYSPF8200	NSYSPS4200	
-	-	-	-	-	NSYMP168	NSYSPF8100	NSYSPS6100	NSYSPF8200	NSYSPS6200	
-	-	-	-	-	NSYMP168	NSYSPF8100	NSYSPS8100	NSYSPF8200	NSYSPS8200	
NSYSM1610302DP	NSYSM1610302D	-	NSYSMVR16	NSYSMHR10	NSYMP1610	NSYSPF10100	NSYSPS3100	-	-	
NSYSM1610402DP	NSYSM1610402D	-	NSYSMVR16	NSYSMHR10	NSYMP1610	NSYSPF10100	NSYSPS4100	NSYSPF10200	NSYSPS4200	
NSYSM1612302DP	NSYSM1612302D	-	NSYSMVR16	NSYSMHR12	NSYMP1612	NSYSPF12100	NSYSPS3100	NSYSPF12200	NSYSPS3200	
NSYSM1612402DP	NSYSM1612402D	-	NSYSMVR16	NSYSMHR12	NSYMP1612	NSYSPF12100	NSYSPS4100	NSYSPF12200	NSYSPS4200	
-	-	-	-	-	-	NSYSPF4100	NSYSPS4100	NSYSPF4200	NSYSPS4200	
-	-	-	-	-	-	NSYSPF4100	NSYSPS5100	NSYSPF4200	NSYSPS5200	
-	-	-	-	-	-	NSYSPF4100	NSYSPS6100	NSYSPF4200	NSYSPS6200	
NSYSM18630P	NSYSM18630	-	NSYSMVR18	NSYSMHR6	NSYMP186	NSYSPF6100	NSYSPS3100	NSYSPF6200	NSYSPS3200	
NSYSM18640P	NSYSM18640	NSYSM18640T	NSYSMVR18	NSYSMHR6	NSYMP186	NSYSPF6100	NSYSPS4100	NSYSPF6200	NSYSPS4200	
NSYSM18650P	NSYSM18650	-	NSYSMVR18	NSYSMHR6	NSYMP186	NSYSPF6100	NSYSPS5100	NSYSPF6200	NSYSPS5200	
-	-	-	-	-	NSYMP186	NSYSPF6100	NSYSPS6100	NSYSPF6200	NSYSPS6200	
-	-	-	-	-	NSYMP186	NSYSPF6100	NSYSPS8100	NSYSPF6200	NSYSPS8200	
NSYSM18830P	NSYSM18830	NSYSM18830T	NSYSMVR18	NSYSMHR8	NSYMP188	NSYSPF8100	NSYSPS3100	NSYSPF8200	NSYSPS3200	
NSYSM18840P	NSYSM18840	NSYSM18840T	NSYSMVR18	NSYSMHR8	NSYMP188	NSYSPF8100	NSYSPS4100	NSYSPF8200	NSYSPS4200	
NSYSM18850P	NSYSM18850	NSYSM18850T	NSYSMVR18	NSYSMHR8	NSYMP188	NSYSPF8100	NSYSPS5100	NSYSPF8200	NSYSPS5200	
NSYSM18860P	NSYSM18860	-	NSYSMVR18	NSYSMHR8	NSYMP188	NSYSPF8100	NSYSPS6100	NSYSPF8200	NSYSPS6200	
-	-	-	-	-	NSYMP188	NSYSPF8100	NSYSPS6100	NSYSPF8200	NSYSPS6200	
NSYSM181040P	NSYSM181040	-	NSYSMVR18	NSYSMHR10	NSYMP1810	NSYSPF10100	NSYSPS4100	NSYSPF10200	NSYSPS4200	
NSYSM1810402DP	NSYSM1810402D	-	NSYSMVR18	NSYSMHR10	NSYMP1810	NSYSPF10100	NSYSPS4100	NSYSPF10200	NSYSPS4200	
-	-	-	-	-	NSYMP1810	NSYSPF10100	NSYSPS5100	NSYSPF10200	NSYSPS5200	
NSYSM1810502DP	NSYSM1810502D	-	NSYSMVR18	NSYSMHR10	NSYMP1810	NSYSPF10100	NSYSPS5100	NSYSPF10200	NSYSPS5200	
-	-	-	-	-	NSYMP1810	NSYSPF10100	NSYSPS6100	NSYSPF10200	NSYSPS6200	
-	-	-	-	-	NSYMP1810	NSYSPF10100	NSYSPS6100	NSYSPF10200	NSYSPS6200	
NSYSM1812402DP	NSYSM1812402D	-	NSYSMVR18	NSYSMHR12	NSYMP1812	NSYSPF12100	NSYSPS4100	NSYSPF12200	NSYSPS4200	
NSYSM1812502DP	NSYSM1812502D	-	NSYSMVR18	NSYSMHR12	NSYMP1812	NSYSPF12100	NSYSPS5100	NSYSPF12200	NSYSPS5200	
-	-	-	-	-	NSYMP1812	NSYSPF12100	NSYSPS6100	NSYSPF12200	NSYSPS6200	
NSYSM1816402DP	NSYSM1816402D	-	NSYSMVR18	NSYSMHR16	NSYMP1816	NSYSPF16100	NSYSPS4100	NSYSPF16200	NSYSPS4200	
NSYSM1816502DP	NSYSM1816502D	-	NSYSMVR18	NSYSMHR16	NSYMP1816	NSYSPF16100	NSYSPS5100	NSYSPF16200	NSYSPS5200	
-	-	-	-	-	-	NSYSPF3100	NSYSPS5100	NSYSPF3200	NSYSPS5200	
-	-	-	-	-	-	NSYSPF3100	NSYSPS6100	NSYSPF3200	NSYSPS6200	
-	-	-	-	-	-	NSYSPF4100	NSYSPS4100	NSYSPF4200	NSYSPS4200	
-	-	-	-	-	-	NSYSPF4100	NSYSPS5100	NSYSPF4200	NSYSPS5200	
-	-	-	-	-	-	NSYSPF4100	NSYSPS6100	NSYSPF4200	NSYSPS6200	
-	-	-	-	-	-	NSYSPF4100	NSYSPS8100	NSYSPF4200	NSYSPS8200	
NSYSM20630P	NSYSM20630	-	NSYSMVR20	NSYSMHR6	NSYMP206	NSYSPF6100	NSYSPS3100	NSYSPF6200	NSYSPS3200	
NSYSM20640P	NSYSM20640	NSYSM20640T	NSYSMVR20	NSYSMHR6	NSYMP206	NSYSPF6100	NSYSPS4100	NSYSPF6200	NSYSPS4200	
NSYSM20650P	NSYSM20650	-	NSYSMVR20	NSYSMHR6	NSYMP206	NSYSPF6100	NSYSPS5100	NSYSPF6200	NSYSPS5200	
-	-	-	-	-	NSYMP206	NSYSPF6100	NSYSPS6100	NSYSPF6200	NSYSPS6200	
-	-	-	-	-	NSYMP206	NSYSPF6100	NSYSPS8100	NSYSPF6200	NSYSPS8200	
NSYSM20830P	NSYSM20830	NSYSM20830T	NSYSMVR20	NSYSMHR8	NSYMP208	NSYSPF8100	NSYSPS3100	NSYSPF8200	NSYSPS3200	
NSYSM20840P	NSYSM20840	NSYSM20840T	NSYSMVR20	NSYSMHR8	NSYMP208	NSYSPF8100	NSYSPS4100	NSYSPF8200	NSYSPS4200	
NSYSM20850P	NSYSM20850	NSYSM20850T	NSYSMVR20	NSYSMHR8	NSYMP208	NSYSPF8100	NSYSPS5100	NSYSPF8200	NSYSPS5200	
NSYSM20860P	NSYSM20860	NSYSM20860T	NSYSMVR20	NSYSMHR8	NSYMP208	NSYSPF8100	NSYSPS6100	NSYSPF8200	NSYSPS6200	
-	-	-	-	-	NSYMP208	NSYSPF8100	NSYSPS6100	NSYSPF8200	NSYSPS6200	
-	-	-	-	-	NSYMP208	NSYSPF8100	NSYSPS8100	NSYSPF8200	NSYSPS8200	
-	-	-	-	-	NSYMP210	NSYSPF10100	NSYSPS4100	NSYSPF10200	NSYSPS4200	
NSYSM2010402DP	NSYSM2010402D	-	NSYSMVR20	NSYSMHR10	NSYMP2010	NSYSPF10100	NSYSPS4100	NSYSPF10200	NSYSPS4200	
-	-	-	-	-	NSYMP2010	NSYSPF10100	NSYSPS5100	NSYSPF10200	NSYSPS5200	
NSYSM2010502DP	NSYSM2010502D	-	NSYSMVR20	NSYSMHR10	NSYMP2010	NSYSPF10100	NSYSPS5100	NSYSPF10200	NSYSPS5200	
-	-	-	-	-	NSYMP2010	NSYSPF10100	NSYSPS6100	NSYSPF10200	NSYSPS6200	
-	-	-	-	-	NSYMP2010	NSYSPF10100	NSYSPS8100	NSYSPF10200	NSYSPS8200	
NSYSM2012402DP	NSYSM2012402D	-	NSYSMVR20	NSYSMHR12	NSYMP2012	NSYSPF12100	NSYSPS4100	NSYSPF12200	NSYSPS4200	
NSYSM2012502DP	NSYSM2012502D	-	NSYSMVR20	NSYSMHR12	NSYMP2012	NSYSPF12100	NSYSPS5100	NSYSPF12200	NSYSPS5200	
NSYSM2012602DP	NSYSM2012602D	-	NSYSMVR20	NSYSMHR12	NSYMP2012	NSYSPF12100	NSYSPS6100	NSYSPF12200	NSYSPS6200	
-	-	-	-	-	NSYMP2012	NSYSPF12100	NSYSPS8100	NSYSPF12200	NSYSPS8200	
NSYSM2016402DP	NSYSM2016402D	-	NSYSMVR20	NSYSMHR16	NSYMP2016	NSYSPF16100	NSYSPS4100	NSYSPF16200	NSYSPS4200	
NSYSM2016502DP	NSYSM2016502D	-	NSYSMVR20	NSYSMHR16	NSYMP2016	NSYSPF16100	NSYSPS5100	NSYSPF16200	NSYSPS5200	
NSYSM2016602DP	NSYSM2016602D	-	NSYSMVR20	NSYSMHR16	NSYMP2016	NSYSPF16100	NSYSPS6100	NSYSPF16200	NSYSPS6200	
-	-	-	-	-	-	NSYSPF4100	NSYSPS6100	NSYSPF4200	NSYSPS6200	
-	-	-	-	-	NSYMP226	NSYSPF6100	NSYSPS6100	NSYSPF6200	NSYSPS6200	
-	-	-	-	-	NSYMP226	NSYSPF6100	NSYSPS8100	NSYSPF6200	NSYSPS8200	
-	-	-	-	-	NSYMP228	NSYSPF8100	NSYSPS6100	NSYSPF8200	NSYSPS6200	
-	-	-	-	-	NSYMP228	NSYSPF8100	NSYSPS8100	NSYSPF8200	NSYSPS8200	
-	-	-	-	-	NSYMP228	NSYSPF8100	NSYSPS6100	NSYSPF8200	NSYSPS6200	
-	-	-	-	-	NSYMP2210	NSYSPF10100	NSYSPS6100	NSYSPF10200	NSYSPS6200	
-	-	-	-	-	NSYMP2212	NSYSPF12100	NSYSPS6100	NSYSPF12200	NSYSPS6200	
-	-	-	-	-	NSYMP2212	NSYSPF12100	NSYSPS8100	NSYSPF12200	NSYSPS8200	



# Steel floor-standing enclosures

## Selection guide



Nominal dimensions: mm (in.)			No. of doors	Vertical uprights	Bottom frame and top frame with roof	Rear panel	Side panels	Plain door (1)	Transparent door (Securit glass) (1)	Mounting plate
Height (A)	Width (B)	Depth (C)								
Painted with epoxy-polyester resin, textured RAL 7035										
1200 (47.2)	600 (23.6)	400 (15.7)	1	NSYSFV12	NSYSFC64	NSYBP126	NSY2SP124	NSYSFD126	NSYSFD126T	NSYMP126
1200 (47.2)	600 (23.6)	500 (19.7)	1	NSYSFV12	NSYSFC65	NSYBP126	NSY2SP125	NSYSFD126	NSYSFD126T	NSYMP126
1200 (47.2)	600 (23.6)	600 (23.6)	1	NSYSFV12	NSYSFC66	NSYBP126	NSY2SP126	NSYSFD126	NSYSFD126T	NSYMP126
1200 (47.2)	600 (23.6)	800 (31.5)	1	NSYSFV12	NSYSFC68	NSYBP126	NSY2SP128	NSYSFD126	NSYSFD126T	NSYMP126
1200 (47.2)	800 (31.5)	400 (15.7)	1	NSYSFV12	NSYSFC84	NSYBP128	NSY2SP124	NSYSFD128	NSYSFD128T	NSYMP128
1200 (47.2)	800 (31.5)	500 (19.7)	1	NSYSFV12	NSYSFC85	NSYBP128	NSY2SP125	NSYSFD128	NSYSFD128T	NSYMP128
1200 (47.2)	800 (31.5)	600 (23.6)	1	NSYSFV12	NSYSFC86	NSYBP128	NSY2SP126	NSYSFD128	NSYSFD128T	NSYMP128
1200 (47.2)	800 (31.5)	800 (31.5)	1	NSYSFV12	NSYSFC88	NSYBP128	NSY2SP128	NSYSFD128	NSYSFD128T	NSYMP128
1400 (55.1)	600 (23.6)	400 (15.7)	1	NSYSFV14	NSYSFC64	NSYBP146	NSY2SP144	NSYSFD146	NSYSFD146T	NSYMP146
1400 (55.1)	600 (23.6)	500 (19.7)	1	NSYSFV14	NSYSFC65	NSYBP146	NSY2SP145	NSYSFD146	NSYSFD146T	NSYMP146
1400 (55.1)	600 (23.6)	600 (23.6)	1	NSYSFV14	NSYSFC66	NSYBP146	NSY2SP146	NSYSFD146	NSYSFD146T	NSYMP146
1400 (55.1)	600 (23.6)	800 (31.5)	1	NSYSFV14	NSYSFC68	NSYBP146	NSY2SP148	NSYSFD146	NSYSFD146T	NSYMP146
1400 (55.1)	800 (31.5)	400 (15.7)	1	NSYSFV14	NSYSFC84	NSYBP148	NSY2SP144	NSYSFD148	NSYSFD148T	NSYMP148
1400 (55.1)	800 (31.5)	500 (19.7)	1	NSYSFV14	NSYSFC85	NSYBP148	NSY2SP145	NSYSFD148	NSYSFD148T	NSYMP148
1400 (55.1)	800 (31.5)	600 (23.6)	1	NSYSFV14	NSYSFC86	NSYBP148	NSY2SP146	NSYSFD148	NSYSFD148T	NSYMP148
1400 (55.1)	800 (31.5)	800 (31.5)	1	NSYSFV14	NSYSFC88	NSYBP148	NSY2SP148	NSYSFD148	NSYSFD148T	NSYMP148
1600 (63.0)	600 (23.6)	400 (15.7)	1	NSYSFV16	NSYSFC64	NSYBP166	NSY2SP164	NSYSFD166	NSYSFD166T	NSYMP166
1600 (63.0)	600 (23.6)	500 (19.7)	1	NSYSFV16	NSYSFC65	NSYBP166	NSY2SP165	NSYSFD166	NSYSFD166T	NSYMP166
1600 (63.0)	600 (23.6)	600 (23.6)	1	NSYSFV16	NSYSFC66	NSYBP166	NSY2SP166	NSYSFD166	NSYSFD166T	NSYMP166
1600 (63.0)	600 (23.6)	800 (31.5)	1	NSYSFV16	NSYSFC68	NSYBP166	NSY2SP168	NSYSFD166	NSYSFD166T	NSYMP166
1600 (63.0)	800 (31.5)	400 (15.7)	1	NSYSFV16	NSYSFC84	NSYBP168	NSY2SP164	NSYSFD168	NSYSFD168T	NSYMP168
1600 (63.0)	800 (31.5)	500 (19.7)	1	NSYSFV16	NSYSFC85	NSYBP168	NSY2SP165	NSYSFD168	NSYSFD168T	NSYMP168
1600 (63.0)	800 (31.5)	600 (23.6)	1	NSYSFV16	NSYSFC86	NSYBP168	NSY2SP166	NSYSFD168	NSYSFD168T	NSYMP168
1600 (63.0)	800 (31.5)	800 (31.5)	1	NSYSFV16	NSYSFC88	NSYBP168	NSY2SP168	NSYSFD168	NSYSFD168T	NSYMP168
1800 (70.9)	400 (15.7)	400 (15.7)	1	NSYSFV18	NSYSFC44	NSYBP184	NSY2SP184	NSYSFD184	-	-
1800 (70.9)	400 (15.7)	500 (19.7)	1	NSYSFV18	NSYSFC45	NSYBP184	NSY2SP185	NSYSFD184	-	-
1800 (70.9)	400 (15.7)	600 (23.6)	1	NSYSFV18	NSYSFC46	NSYBP184	NSY2SP186	NSYSFD184	-	-
1800 (70.9)	400 (15.7)	800 (31.5)	1	NSYSFV18	NSYSFC48	NSYBP184	NSY2SP188	NSYSFD184	-	-
1800 (70.9)	600 (23.6)	400 (15.7)	1	NSYSFV18	NSYSFC64	NSYBP186	NSY2SP184	NSYSFD186	NSYSFD186T	NSYMP186
1800 (70.9)	600 (23.6)	500 (19.7)	1	NSYSFV18	NSYSFC65	NSYBP186	NSY2SP185	NSYSFD186	NSYSFD186T	NSYMP186
1800 (70.9)	600 (23.6)	600 (23.6)	1	NSYSFV18	NSYSFC66	NSYBP186	NSY2SP186	NSYSFD186	NSYSFD186T	NSYMP186
1800 (70.9)	600 (23.6)	800 (31.5)	1	NSYSFV18	NSYSFC68	NSYBP186	NSY2SP188	NSYSFD186	NSYSFD186T	NSYMP186
1800 (70.9)	800 (31.5)	400 (15.7)	1	NSYSFV18	NSYSFC84	NSYBP188	NSY2SP184	NSYSFD188	NSYSFD188T	NSYMP188
1800 (70.9)	800 (31.5)	500 (19.7)	1	NSYSFV18	NSYSFC85	NSYBP188	NSY2SP185	NSYSFD188	NSYSFD188T	NSYMP188
1800 (70.9)	800 (31.5)	600 (23.6)	1	NSYSFV18	NSYSFC86	NSYBP188	NSY2SP186	NSYSFD188	NSYSFD188T	NSYMP188
1800 (70.9)	800 (31.5)	600 (23.6)	2	NSYSFV18	NSYSFC86	NSYBP188	NSY2SP186	NSYSFD1882D	-	NSYMP188
1800 (70.9)	800 (31.5)	800 (31.5)	1	NSYSFV18	NSYSFC88	NSYBP188	NSY2SP188	NSYSFD188	NSYSFD188T	NSYMP188
1800 (70.9)	800 (31.5)	800 (31.5)	2	NSYSFV18	NSYSFC88	NSYBP188	NSY2SP188	NSYSFD1882D	-	NSYMP188
1800 (70.9)	1000 (39.4)	400 (15.7)	1	NSYSFV18	NSYSFC104	NSYBP1810	NSY2SP184	NSYSFD1810	NSYSFD1810T	NSYMP1810
1800 (70.9)	1000 (39.4)	400 (15.7)	2	NSYSFV18	NSYSFC104	NSYBP1810	NSY2SP184	NSYSFD18102D	-	NSYMP1810
1800 (70.9)	1000 (39.4)	500 (19.7)	1	NSYSFV18	NSYSFC105	NSYBP1810	NSY2SP185	NSYSFD1810	NSYSFD1810T	NSYMP1810
1800 (70.9)	1000 (39.4)	600 (23.6)	1	NSYSFV18	NSYSFC106	NSYBP1810	NSY2SP186	NSYSFD1810	NSYSFD1810T	NSYMP1810
1800 (70.9)	1000 (39.4)	600 (23.6)	2	NSYSFV18	NSYSFC106	NSYBP1810	NSY2SP186	NSYSFD18102D	-	NSYMP1810
1800 (70.9)	1000 (39.4)	800 (31.5)	1	NSYSFV18	NSYSFC108	NSYBP1810	NSY2SP188	NSYSFD1810	NSYSFD1810T	NSYMP1810
1800 (70.9)	1000 (39.4)	800 (31.5)	2	NSYSFV18	NSYSFC108	NSYBP1810	NSY2SP188	NSYSFD18102D	-	NSYMP1810
1800 (70.9)	1200 (47.2)	400 (15.7)	2	NSYSFV18	NSYSFC124	NSYBP1812	NSY2SP184	NSYSFD18122D	NSYSFD18122DT	NSYMP1812
1800 (70.9)	1200 (47.2)	500 (19.7)	2	NSYSFV18	NSYSFC125	NSYBP1812	NSY2SP185	NSYSFD18122D	NSYSFD18122DT	NSYMP1812
1800 (70.9)	1200 (47.2)	600 (23.6)	2	NSYSFV18	NSYSFC126	NSYBP1812	NSY2SP186	NSYSFD18122D	NSYSFD18122DT	NSYMP1812
1800 (70.9)	1200 (47.2)	800 (31.5)	2	NSYSFV18	NSYSFC128	NSYBP1812	NSY2SP188	NSYSFD18122D	NSYSFD18122DT	NSYMP1812

(1) Hinges, locking bar catches and handle with 5-mm (0.2 in.) double-bar insert included.



More than **600** possible configurations with Spatial SF kit!

# Steel floor-standing enclosures

## Selection guide



Nominal dimensions: mm (in.)			No. of doors	Vertical uprights	Bottom frame and top frame with roof	Rear panel	Side panels	Plain door (1)	Transparent door (Securit glass) (1)	Mounting plate
Height (A)	Width (B)	Depth (C)								
Painted with epoxy-polyester resin, textured RAL 7035										
2000 (78.7)	300 (11.8)	500 (19.7)	1	NSYSFV20	NSYSFC35	NSYBP203	NSY2SP205	NSYSFD203	-	-
2000 (78.7)	300 (11.8)	600 (23.6)	1	NSYSFV20	NSYSFC36	NSYBP203	NSY2SP206	NSYSFD203	-	-
2000 (78.7)	400 (15.7)	400 (15.7)	1	NSYSFV20	NSYSFC44	NSYBP204	NSY2SP204	NSYSFD204	-	-
2000 (78.7)	400 (15.7)	500 (19.7)	1	NSYSFV20	NSYSFC45	NSYBP204	NSY2SP205	NSYSFD204	-	-
2000 (78.7)	400 (15.7)	600 (23.6)	1	NSYSFV20	NSYSFC46	NSYBP204	NSY2SP206	NSYSFD204	-	-
2000 (78.7)	400 (15.7)	800 (31.5)	1	NSYSFV20	NSYSFC48	NSYBP204	NSY2SP208	NSYSFD204	-	-
2000 (78.7)	600 (23.6)	400 (15.7)	1	NSYSFV20	NSYSFC64	NSYBP206	NSY2SP204	NSYSFD206	NSYSFD206T	NSYMP206
2000 (78.7)	600 (23.6)	500 (19.7)	1	NSYSFV20	NSYSFC65	NSYBP206	NSY2SP205	NSYSFD206	NSYSFD206T	NSYMP206
2000 (78.7)	600 (23.6)	600 (23.6)	1	NSYSFV20	NSYSFC66	NSYBP206	NSY2SP206	NSYSFD206	NSYSFD206T	NSYMP206
2000 (78.7)	600 (23.6)	800 (31.5)	1	NSYSFV20	NSYSFC68	NSYBP206	NSY2SP208	NSYSFD206	NSYSFD206T	NSYMP206
2000 (78.7)	800 (31.5)	400 (15.7)	1	NSYSFV20	NSYSFC84	NSYBP208	NSY2SP204	NSYSFD208	NSYSFD208T	NSYMP208
2000 (78.7)	800 (31.5)	500 (19.7)	1	NSYSFV20	NSYSFC85	NSYBP208	NSY2SP205	NSYSFD208	NSYSFD208T	NSYMP208
2000 (78.7)	800 (31.5)	600 (23.6)	1	NSYSFV20	NSYSFC86	NSYBP208	NSY2SP206	NSYSFD208	NSYSFD208T	NSYMP208
2000 (78.7)	800 (31.5)	800 (31.5)	1	NSYSFV20	NSYSFC88	NSYBP208	NSY2SP208	NSYSFD208	NSYSFD208T	NSYMP208
2000 (78.7)	800 (31.5)	800 (31.5)	2	NSYSFV20	NSYSFC88	NSYBP208	NSY2SP208	NSYSFD2082D	-	NSYMP208
2000 (78.7)	1000 (39.4)	400 (15.7)	1	NSYSFV20	NSYSFC104	NSYBP2010	NSY2SP204	NSYSFD2010	NSYSFD2010T	NSYMP2010
2000 (78.7)	1000 (39.4)	400 (15.7)	2	NSYSFV20	NSYSFC104	NSYBP2010	NSY2SP204	NSYSFD20102D	-	NSYMP2010
2000 (78.7)	1000 (39.4)	500 (19.7)	1	NSYSFV20	NSYSFC105	NSYBP2010	NSY2SP205	NSYSFD2010	NSYSFD2010T	NSYMP2010
2000 (78.7)	1000 (39.4)	500 (19.7)	2	NSYSFV20	NSYSFC105	NSYBP2010	NSY2SP205	NSYSFD20102D	-	NSYMP2010
2000 (78.7)	1000 (39.4)	600 (23.6)	1	NSYSFV20	NSYSFC106	NSYBP2010	NSY2SP206	NSYSFD2010	NSYSFD2010T	NSYMP2010
2000 (78.7)	1000 (39.4)	600 (23.6)	2	NSYSFV20	NSYSFC106	NSYBP2010	NSY2SP206	NSYSFD20102D	-	NSYMP2010
2000 (78.7)	1000 (39.4)	800 (31.5)	1	NSYSFV20	NSYSFC108	NSYBP2010	NSY2SP208	NSYSFD2010	NSYSFD2010T	NSYMP2010
2000 (78.7)	1000 (39.4)	800 (31.5)	2	NSYSFV20	NSYSFC108	NSYBP2010	NSY2SP208	NSYSFD20102D	-	NSYMP2010
2000 (78.7)	1200 (47.2)	400 (15.7)	2	NSYSFV20	NSYSFC124	NSYBP2012	NSY2SP204	NSYSFD20122D	NSYSFD20122DT	NSYMP2012
2000 (78.7)	1200 (47.2)	500 (19.7)	2	NSYSFV20	NSYSFC125	NSYBP2012	NSY2SP205	NSYSFD20122D	NSYSFD20122DT	NSYMP2012
2000 (78.7)	1200 (47.2)	600 (23.6)	2	NSYSFV20	NSYSFC126	NSYBP2012	NSY2SP206	NSYSFD20122D	NSYSFD20122DT	NSYMP2012
2000 (78.7)	1200 (47.2)	800 (31.5)	2	NSYSFV20	NSYSFC128	NSYBP2012	NSY2SP208	NSYSFD20122D	NSYSFD20122DT	NSYMP2012
2000 (78.7)	1600 (63.0)	400 (15.7)	2	NSYSFV20	NSYSFC164	NSYBP2016	NSY2SP204	NSYSFD20162D	-	NSYMP2016
2000 (78.7)	1600 (63.0)	500 (19.7)	2	NSYSFV20	NSYSFC165	NSYBP2016	NSY2SP205	NSYSFD20162D	-	NSYMP2016
2000 (78.7)	1600 (63.0)	600 (23.6)	2	NSYSFV20	NSYSFC166	NSYBP2016	NSY2SP206	NSYSFD20162D	-	NSYMP2016
2200 (86.6)	400 (15.7)	400 (15.7)	1	NSYSFV22	NSYSFC44	NSYBP224	NSY2SP224	NSYSFD224	-	-
2200 (86.6)	400 (15.7)	500 (19.7)	1	NSYSFV22	NSYSFC45	NSYBP224	NSY2SP225	NSYSFD224	-	-
2200 (86.6)	400 (15.7)	600 (23.6)	1	NSYSFV22	NSYSFC46	NSYBP224	NSY2SP226	NSYSFD224	-	-
2200 (86.6)	400 (15.7)	800 (31.5)	1	NSYSFV22	NSYSFC48	NSYBP224	NSY2SP228	NSYSFD224	-	-
2200 (86.6)	600 (23.6)	400 (15.7)	1	NSYSFV22	NSYSFC64	NSYBP226	NSY2SP224	NSYSFD226	NSYSFD226T	NSYMP226
2200 (86.6)	600 (23.6)	500 (19.7)	1	NSYSFV22	NSYSFC65	NSYBP226	NSY2SP225	NSYSFD226	NSYSFD226T	NSYMP226
2200 (86.6)	600 (23.6)	600 (23.6)	1	NSYSFV22	NSYSFC66	NSYBP226	NSY2SP226	NSYSFD226	NSYSFD226T	NSYMP226
2200 (86.6)	600 (23.6)	800 (31.5)	1	NSYSFV22	NSYSFC68	NSYBP226	NSY2SP228	NSYSFD226	NSYSFD226T	NSYMP226
2200 (86.6)	800 (31.5)	400 (15.7)	1	NSYSFV22	NSYSFC84	NSYBP228	NSY2SP224	NSYSFD228	NSYSFD228T	NSYMP228
2200 (86.6)	800 (31.5)	500 (19.7)	1	NSYSFV22	NSYSFC85	NSYBP228	NSY2SP225	NSYSFD228	NSYSFD228T	NSYMP228
2200 (86.6)	800 (31.5)	600 (23.6)	1	NSYSFV22	NSYSFC86	NSYBP228	NSY2SP226	NSYSFD228	NSYSFD228T	NSYMP228
2200 (86.6)	800 (31.5)	800 (31.5)	1	NSYSFV22	NSYSFC88	NSYBP228	NSY2SP228	NSYSFD228	NSYSFD228T	NSYMP228
2200 (86.6)	1000 (39.4)	400 (15.7)	1	NSYSFV22	NSYSFC104	NSYBP2210	NSY2SP224	NSYSFD2210	NSYSFD2210T	NSYMP2210
2200 (86.6)	1000 (39.4)	500 (19.7)	1	NSYSFV22	NSYSFC105	NSYBP2210	NSY2SP225	NSYSFD2210	NSYSFD2210T	NSYMP2210
2200 (86.6)	1000 (39.4)	600 (23.6)	1	NSYSFV22	NSYSFC106	NSYBP2210	NSY2SP226	NSYSFD2210	NSYSFD2210T	NSYMP2210
2200 (86.6)	1000 (39.4)	800 (31.5)	1	NSYSFV22	NSYSFC108	NSYBP2210	NSY2SP228	NSYSFD2210	NSYSFD2210T	NSYMP2210
2200 (86.6)	1200 (47.2)	400 (15.7)	2	NSYSFV22	NSYSFC124	NSYBP2212	NSY2SP224	NSYSFD22122D	NSYSFD22122DT	NSYMP2212
2200 (86.6)	1200 (47.2)	500 (19.7)	2	NSYSFV22	NSYSFC125	NSYBP2212	NSY2SP225	NSYSFD22122D	NSYSFD22122DT	NSYMP2212
2200 (86.6)	1200 (47.2)	600 (23.6)	2	NSYSFV22	NSYSFC126	NSYBP2212	NSY2SP226	NSYSFD22122D	NSYSFD22122DT	NSYMP2212
2200 (86.6)	1200 (47.2)	800 (31.5)	2	NSYSFV22	NSYSFC128	NSYBP2212	NSY2SP228	NSYSFD22122D	NSYSFD22122DT	NSYMP2212

(1) Hinges, locking bar catches and handle with 5-mm (0.2 in.) double-bar insert included.

Do it yourself,  
by using the  
kit version!



# Stainless-steel wall-mounting enclosures

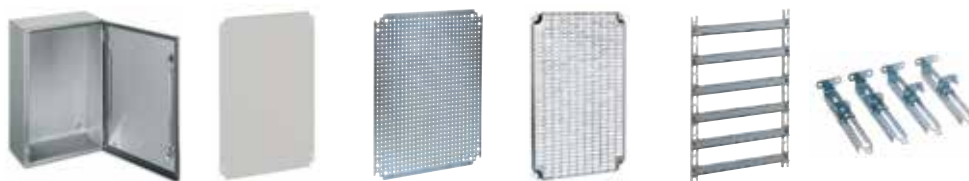
## Selection guide



External dimensions: mm (in.)			No. of locks	No. of doors	304L stainless steel		316L stainless steel	304L stainless-steel canopy	Plain mounting plate (3)
Height	Width	Depth			Plain door	Glazed door (2)	Plain door		
300 (11.8)	200 (7.9)	150 (5.9)	1	1	NSYS3X3215	-	NSYS3X3215H	NSYTX2015	NSYMM32
300 (11.8)	250 (9.8)	150 (5.9)	1	1	NSYS3X302515	-	NSYS3X302515H	NSYTX2515	NSYMM3025
300 (11.8)	300 (11.8)	150 (5.9)	1	1	NSYS3X3315	-	NSYS3X3315H	NSYTX3015	NSYMM33
400 (15.7)	300 (11.8)	150 (5.9)	1	1	NSYS3X4315	-	NSYS3X4315H	NSYTX3015	NSYMM43
400 (15.7)	300 (11.8)	200 (7.9)	1	1	NSYS3X4320	NSYS3X4320T	NSYS3X4320H	NSYTX3020	NSYMM43
400 (15.7)	400 (15.7)	200 (7.9)	1	1	NSYS3X4420	-	NSYS3X4420H	NSYTX4020	NSYMM44
400 (15.7)	600 (23.6)	200 (7.9)	1	1	NSYS3X4620	-	NSYS3X4620H	NSYTX6020	NSYMM46
500 (19.7)	400 (15.7)	200 (7.9)	2	1	NSYS3X5420	NSYS3X5420T	NSYS3X5420H	NSYTX4020	NSYMM54
600 (23.6)	400 (15.7)	200 (7.9)	2	1	NSYS3X6420	NSYS3X6420T	NSYS3X6420H	NSYTX4020	NSYMM64
600 (23.6)	600 (23.6)	250 (9.8)	2	1	NSYS3X6625	-	NSYS3X6625H	NSYTX6025	NSYMM66
700 (27.6)	500 (19.7)	250 (9.8)	2	1	NSYS3X7525	NSYS3X7525T	NSYS3X7525H	NSYTX5025	NSYMM75
800 (31.5)	600 (23.6)	250 (9.8)	2	1	NSYS3X8625	NSYS3X8625T	NSYS3X8625H	NSYTX6025	NSYMM86
800 (31.5)	800 (31.5)	300 (11.8)	2	1	NSYS3X8830	-	NSYS3X8830H	NSYTX8030	NSYMM88
1000 (39.4)	800 (31.5)	300 (11.8)	2	1	NSYS3X10830	NSYS3X10830T	NSYS3X10830H	NSYTX8030	NSYMM108
1000 (39.4)	1000 (39.4)	300 (11.8)	(1)	2	NSYS3X101030	-	NSYS3X101030H	NSYTX10030	NSYMM1010
1200 (47.2)	800 (31.5)	300 (11.8)	2	1	NSYS3X12830	-	NSYS3X12830H	NSYTX8030	NSYMM128
1200 (47.2)	1000 (39.4)	300 (11.8)	(1)	2	NSYS3X121030	-	NSYS3X121030H	NSYTX10030	NSYMM1210

(1) Three-point closure system.  
 (2) The glazed door has no reinforcement.  
 (3) See other mounting plates in the accessories section.

### Wall-mounting enclosures and main accessories



External dimensions: mm (in.)			Enclosure catalog number	Mounting plate catalog number			DIN rail chassis	Step slides
Height	Width	Depth		Plain	Microperforated	Telequick		
300 (11.8)	200 (7.9)	150 (5.9)	NSYS3XEX3215	NSYMM32	NSYMF32	NSYMR32	-	-
400 (15.7)	300 (11.8)	200 (7.9)	NSYS3XEX4320	NSYMM43	NSYMF43	NSYMR43	NSYMD43	NSYSDCR200
500 (19.7)	400 (15.7)	200 (7.9)	NSYS3XEX5420	NSYMM54	NSYMF54	NSYMR54	NSYMD54	NSYSDCR200
600 (23.6)	400 (15.7)	200 (7.9)	NSYS3XEX6420	NSYMM64	NSYMF64	NSYMR64	NSYMD64	NSYSDCR200
700 (27.6)	500 (19.7)	250 (9.8)	NSYS3XEX7525	NSYMM75	NSYMF75	NSYMR75	NSYMD75	NSYSDCR250
800 (31.5)	600 (23.6)	250 (9.8)	NSYS3XEX8625	NSYMM86	NSYMF86	NSYMR86	NSYMD86	NSYSDCR250
1000 (39.4)	800 (31.5)	300 (11.8)	NSYS3XEX10830	NSYMM108	NSYMF108	NSYMR108	NSYMD108	NSYSDCR300

# Stainless-steel floor-standing enclosures

## Selection guide

### Stainless-steel floor-standing monobloc enclosures



External dimensions: mm (in.)			Number of front doors	Stainless-steel floor-standing enclosure 304L/316L	Brushed 316L stainless-steel plinth height 100 mm (3.9 in.) (2)		Brushed 316L stainless-steel plinth height 200 mm (7.9 in.) (2)		Plain mounting plate (3)
Height	Width	Depth			Front + corner	Side	Front + corner	Side	
1400 (55.1)	1000 (39.4)	300 (11.8)	2	NSYSMX141030	NSYSPXF10100H	NSYSPXS3100H	NSYSPXF10200H	2 × NSYSPXS3100H	NSYMP1410
1600 (63.0)	800 (31.5)	400 (15.7)	1	NSYSMX16840	NSYSPXF8100H	NSYSPXS4100H	NSYSPXF8200H	2 × NSYSPXS4100H	NSYMP168
1800 (70.9)	600 (23.6)	400 (15.7)	1	NSYSMX18640	NSYSPXF6100H	NSYSPXS4100H	NSYSPXF6200H	2 × NSYSPXS4100H	NSYMP186
1800 (70.9)	800 (31.5)	400 (15.7)	1	NSYSMX18840 (1)	NSYSPXF8100H	NSYSPXS4100H	NSYSPXF8200H	2 × NSYSPXS4100H	NSYMP188
1800 (70.9)	1200 (47.2)	400 (15.7)	2	NSYSMX181240 (1)	NSYSPXF12100H	NSYSPXS4100H	NSYSPXF12200H	2 × NSYSPXS4100H	NSYMP1812
1800 (70.9)	1600 (63.0)	400 (15.7)	2	NSYSMX181640 (1)	NSYSPXF16100H	NSYSPXS4100H	NSYSPXF16200H	2 × NSYSPXS4100H	NSYMP1813
2000 (78.7)	800 (31.5)	500 (19.7)	1	NSYSMX20850	NSYSPXF8100H	NSYSPXS5100H	NSYSPXF8200H	2 × NSYSPXS5100H	NSYMP208
2000 (78.7)	1000 (39.4)	400 (15.7)	2	NSYSMX201040 (1)	NSYSPXF10100H	NSYSPXS4100H	NSYSPXF10200H	2 × NSYSPXS4100H	NSYMP2010
2000 (78.7)	1200 (47.2)	500 (19.7)	2	NSYSMX201250 (1)	NSYSPXF12100H	NSYSPXS5100H	NSYSPXF12200H	2 × NSYSPXS5100H	NSYMP2012
2000 (78.7)	1600 (63.0)	600 (23.6)	2	NSYSMX201660 (1)	NSYSPXF16100H	NSYSPXS6100H	NSYSPXF16200H	2 × NSYSPXS6100H	NSYMP2016

(1) For version in AISI 316L stainless steel, add the letter H to the end of the catalog number. Example: NSYSMX18840H

(2) See page 5/27.

(3) See other mounting plates in the accessories section.

### Stainless-steel floor-standing modular enclosures



External dimensions: mm (in.)			Number of front doors	Catalog number in 304L stainless steel (1)			Brushed 316L stainless-steel plinth height 100 mm (3.9 in.) (2)		Brushed 316L stainless-steel plinth height 200 mm (7.9 in.) (2)		Plain mounting plate (3)
Height (A)	Width (B)	Depth (C)		Modular enclosure	Set of 2 side panels	Coupling kit	Front + corner	Side	Front + corner	Side	
1800 (70.9)	600 (23.6)	400 (15.7)	1	NSYSFX18640	NSY2SPX184	NSYSFBK19	NSYSPXF6100H	NSYSPXS4100H	NSYSPXF6200H	2 × NSYSPXS4100H	NSYMP186
1800 (70.9)	800 (31.5)	400 (15.7)	1	NSYSFX18840	NSY2SPX184	NSYSFBK19	NSYSPXF8100H	NSYSPXS4100H	NSYSPXF8200H	2 × NSYSPXS4100H	NSYMP188
1800 (70.9)	1200 (47.2)	400 (15.7)	2	NSYSFX181240	NSY2SPX184	NSYSFBK19	NSYSPXF12100H	NSYSPXS4100H	NSYSPXF12200H	2 × NSYSPXS4100H	NSYMP1812
2000 (78.7)	600 (23.6)	500 (19.7)	1	NSYSFX20650	NSY2SPX205	NSYSFBK19	NSYSPXF6100H	NSYSPXS5100H	NSYSPXF6200H	2 × NSYSPXS5100H	NSYMP206
2000 (78.7)	800 (31.5)	400 (15.7)	1	NSYSFX20840	NSY2SPX204	NSYSFBK19	NSYSPXF8100H	NSYSPXS4100H	NSYSPXF8200H	2 × NSYSPXS4100H	NSYMP208
2000 (78.7)	800 (31.5)	600 (23.6)	1	NSYSFX20860	NSY2SPX206	NSYSFBK19	NSYSPXF8100H	NSYSPXS6100H	NSYSPXF8200H	2 × NSYSPXS6100H	NSYMP208
2000 (78.7)	1000 (39.4)	600 (23.6)	2	NSYSFX201060	NSY2SPX206	NSYSFBK19	NSYSPXF10100H	NSYSPXS6100H	NSYSPXF10200H	2 × NSYSPXS6100H	NSYMP2010
2000 (78.7)	1200 (47.2)	600 (23.6)	2	NSYSFX201260	NSY2SPX206	NSYSFBK19	NSYSPXF12100H	NSYSPXS6100H	NSYSPXF12200H	2 × NSYSPXS6100H	NSYMP2012

(1) 316L stainless-steel enclosures on request.

(2) See page 5/27.

(3) See other mounting plates in the accessories section.

# Polyester wall-mounting enclosures

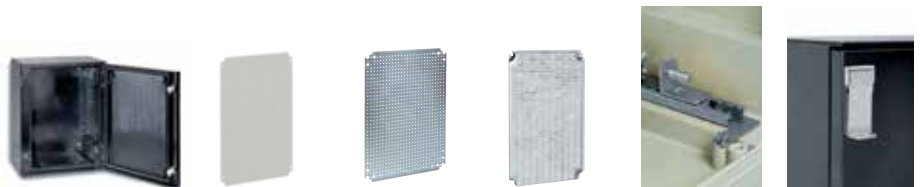
## Selection guide

### Polyester wall-mounting enclosures IP66



External dimensions: mm (in.)			ABS/PC wall-mounting enclosures IP66		Polyester wall-mounting enclosures IP66			
H	W	D	Plain door	Transp. door	Plain door	Transp. door	Plain door 3-point closure	Transp. door 3-point closure
			Page 6/14		Pages 6/15 and 6/16		Page 6/16	
310 (12.2)	215 (8.5)	160 (6.3)	<b>NSYPLM32</b>	<b>NSYPLM32T</b>	-	-	-	-
308 (12.1)	255 (10.0)	160 (6.3)	-	-	<b>NSYPLM3025</b>	<b>NSYPLM3025T</b>	-	-
430 (16.9)	330 (13.0)	200 (7.9)	-	-	<b>NSYPLM43</b>	<b>NSYPLM43T</b>	<b>NSYPLM43V</b>	<b>NSYPLM43TV</b>
530 (20.9)	430 (16.9)	200 (7.9)	-	-	<b>NSYPLM54</b>	<b>NSYPLM54T</b>	<b>NSYPLM54V</b>	<b>NSYPLM54TV</b>
647 (25.5)	436 (17.2)	250 (9.8)	-	-	<b>NSYPLM64</b>	<b>NSYPLM64T</b>	<b>NSYPLM64V</b>	<b>NSYPLM64TV</b>
747 (29.4)	536 (21.1)	300 (11.8)	-	-	<b>NSYPLM75</b>	<b>NSYPLM75T</b>	<b>NSYPLM75V</b>	<b>NSYPLM75TV</b>
847 (33.3)	636 (25.0)	300 (11.8)	-	-	<b>NSYPLM86</b>	<b>NSYPLM86T</b>	<b>NSYPLM86V</b>	<b>NSYPLM86TV</b>
1056 (41.6)	852 (33.5)	350 (13.8)	-	-	<b>NSYPLM108</b>	<b>NSYPLM108T</b>	-	-

### Polyester wall-mounting PLMEX enclosures



External dimensions: mm (in.)			Catalog number	Metallic mounting plate catalog number			Catalog number	
Height	Width	Depth	Enclosures	Plain	Microperforated	Telequick	Step slides	Padlocking
308 (12.1)	255 (10.0)	160 (6.3)	<b>NSYPLMEX3025</b>	<b>NSYMM3025</b>	-	<b>NSYMR3025</b>	-	-
430 (16.9)	330 (13.0)	200 (7.9)	<b>NSYPLMEX43</b>	<b>NSYMM43</b>	<b>NSYMF43</b>	<b>NSYMR43</b>	<b>NSYDPLM200</b>	<b>NSYKPLM</b>
530 (20.9)	430 (16.9)	200 (7.9)	<b>NSYPLMEX54</b>	<b>NSYMM54</b>	<b>NSYMF54</b>	<b>NSYMR54</b>	<b>NSYDPLM200</b>	<b>NSYKPLM</b>
647 (25.5)	436 (17.2)	250 (9.8)	<b>NSYPLMEX64</b>	<b>NSYMM64</b>	<b>NSYMF64</b>	<b>NSYMR64</b>	<b>NSYDPLM250</b>	<b>NSYKPLM</b>
747 (29.4)	536 (21.1)	300 (11.8)	<b>NSYPLMEX75</b>	<b>NSYMM75</b>	<b>NSYMF75</b>	<b>NSYMR75</b>	<b>NSYDPLM300</b>	<b>NSYKPLM</b>
847 (33.3)	636 (25.0)	300 (11.8)	<b>NSYPLMEX86</b>	<b>NSYMM86</b>	<b>NSYMF86</b>	<b>NSYMR86</b>	<b>NSYDPLM300</b>	<b>NSYKPLM</b>
1056 (41.6)	852 (33.5)	350 (13.8)	<b>NSYPLMEX108</b>	<b>NSYMM108</b>	<b>NSYMF108</b>	<b>NSYMR108</b>	<b>NSYDPLM350</b>	<b>NSYBCPL</b>

# Polyester wall-mounting enclosures

## Selection guide

### Mounting accessories



External dimensions of the enclosures: mm (in.)			Metallic mounting plates			Insulating mounting plates		Step slides	Symmetrical DIN rail
H	W	D	Plain	Microperforated	Telequick	Bakelite	Polyester		
			Page 8/2	Page 8/3	Page 8/4	Page 8/5		Page 6/26	Page 6/26
310 (12.2)	215 (8.5)	160 (6.3)	NSYMM32	-	NSYMR32	NSYMB32	NSYMPP32	-	NSYCS200PLM
308 (12.1)	255 (10.0)	160 (6.3)	NSYMM3025	-	NSYMR3025	NSYMB3025	NSYMPP3025	-	-
430 (16.9)	330 (13.0)	200 (7.9)	NSYMM43	NSYMF43	NSYMR43	NSYMB43	NSYMPP43	NSYDPLM200	NSYCS300PLM
530 (20.9)	430 (16.9)	200 (7.9)	NSYMM54	NSYMF54	NSYMR54	NSYMB54	NSYMPP54	NSYDPLM200	NSYCS400PLM
647 (25.5)	436 (17.2)	250 (9.8)	NSYMM64	NSYMF64	NSYMR64	NSYMB64	NSYMPP64	NSYDPLM250	NSYCS400PLM
747 (29.4)	536 (21.1)	300 (11.8)	NSYMM75	NSYMF75	NSYMR75	NSYMB75	NSYMPP75	NSYDPLM300	NSYCS500PLM
847 (33.3)	636 (25.0)	300 (11.8)	NSYMM86	NSYMF86	NSYMR86	NSYMB86	NSYMPP86	NSYDPLM300	NSYCS600PLM
1056 (41.6)	852 (33.5)	350 (13.8)	NSYMM108	NSYMF108	NSYMR108	NSYMB108	NSYMPP108	NSYDPLM350	NSYCS800PLM

### Main accessories



External dimensions: mm (in.)			Mounting lugs	Post-mounting device	Floor-mounting pillar	Coupling frame	Cable-gland plate	Internal door	Blanking plates
H	W	D	Page 6/21	Page 6/21	Page 6/20	Page 6/20	Page 6/20	Page 6/22	Page 6/21
			310 (12.2)	215 (8.5)	160 (6.3)	NSYFPPLM32	-	-	-
308 (12.1)	255 (10.0)	160 (6.3)	NSYFPPLM	-	-	-	-	NSYPA3025PLM	-
430 (16.9)	330 (13.0)	200 (7.9)	NSYFPPLM	NSYSFP300	-	-	-	NSYPAP43	NSYCEPLMB
530 (20.9)	430 (16.9)	200 (7.9)	NSYFPPLM	NSYSFP400	NSYSFSPLM	-	-	NSYPAP54	NSYCEPLMB
647 (25.5)	436 (17.2)	250 (9.8)	NSYFPPLM	NSYSFP400	NSYSFSPLM	-	-	NSYPAP64	NSYCEPLMC
747 (29.4)	536 (21.1)	300 (11.8)	NSYFPPLM	NSYSFP500	-	NSYBUPLM	NSYTLA4420	NSYPAP75	NSYCEPLMC
847 (33.3)	636 (25.0)	300 (11.8)	NSYFPPLM	NSYSFP600	-	NSYBUPLM	NSYTLA4420	NSYPAP86	NSYCEPLMC
1056 (41.6)	852 (33.5)	350 (13.8)	NSYFPPLM	-	-	NSYBU108PLM	NSYTLA6420	NSYPAP108	-

Water drain plug



Page 6/27

Rail-mounting nuts



Page 6/26

Ventilation louver



Page 6/27

# Polyester floor-standing enclosures IP54

## Selection guide



External dimensions: mm (in.)				Sealed enclosures, IP65		Enclosures with plinth-type open bottom, IP54
Height	Width	Depth	N° of doors	Catalog number of enclosures with door		
				Plain	Glazed	Plain
500 (19.7)	500 (19.7)	320 (12.6)	1	NSYPLA553	NSYPLA553T	NSYPLAZ553
500 (19.7)	500 (19.7)	420 (16.5)	1	NSYPLA554	NSYPLA554T	NSYPLAZ554
500 (19.7)	750 (29.5)	320 (12.6)	1	NSYPLA573	NSYPLA573T	NSYPLAZ573
500 (19.7)	750 (29.5)	420 (16.5)	1	NSYPLA574	NSYPLA574T	NSYPLAZ574
500 (19.7)	1000 (39.4)	320 (12.6)	2	NSYPLA5103	NSYPLA5103T	NSYPLAZ5103
500 (19.7)	1000 (39.4)	420 (16.5)	2	NSYPLA5104	NSYPLA5104T	NSYPLAZ5104
500 (19.7)	1250 (49.2)	320 (12.6)	2	NSYPLA5123	NSYPLA5123T	NSYPLAZ5123
500 (19.7)	1250 (49.2)	420 (16.5)	2	NSYPLA5124	NSYPLA5124T	NSYPLAZ5124
750 (29.5)	500 (19.7)	320 (12.6)	1	NSYPLA753	NSYPLA753T	NSYPLAZ753
750 (29.5)	500 (19.7)	420 (16.5)	1	NSYPLA754	NSYPLA754T	NSYPLAZ754
750 (29.5)	750 (29.5)	320 (12.6)	1	NSYPLA773	NSYPLA773T	NSYPLAZ773
750 (29.5)	750 (29.5)	420 (16.5)	1	NSYPLA774	NSYPLA774T	NSYPLAZ774
750 (29.5)	1000 (39.4)	320 (12.6)	2	NSYPLA7103	NSYPLA7103T	NSYPLAZ7103
750 (29.5)	1000 (39.4)	420 (16.5)	2	NSYPLA7104	NSYPLA7104T	NSYPLAZ7104
750 (29.5)	1250 (49.2)	320 (12.6)	2	NSYPLA7123	NSYPLA7123T	NSYPLAZ7123
750 (29.5)	1250 (49.2)	420 (16.5)	2	NSYPLA7124	NSYPLA7124T	NSYPLAZ7124
1000 (39.4)	500 (19.7)	320 (12.6)	1	NSYPLA1053	NSYPLA1053T	NSYPLAZ1053
1000 (39.4)	500 (19.7)	420 (16.5)	1	NSYPLA1054	NSYPLA1054T	NSYPLAZ1054
1000 (39.4)	750 (29.5)	320 (12.6)	1	NSYPLA1073	NSYPLA1073T	NSYPLAZ1073
1000 (39.4)	750 (29.5)	420 (16.5)	1	NSYPLA1074	NSYPLA1074T	NSYPLAZ1074
1000 (39.4)	1000 (39.4)	320 (12.6)	2	NSYPLA10103	NSYPLA10103T	NSYPLAZ10103
1000 (39.4)	1000 (39.4)	420 (16.5)	2	NSYPLA10104	NSYPLA10104T	NSYPLAZ10104
1000 (39.4)	1250 (49.2)	320 (12.6)	2	NSYPLA10123	NSYPLA10123T	NSYPLAZ10123
1000 (39.4)	1250 (49.2)	420 (16.5)	2	NSYPLA10124	NSYPLA10124T	NSYPLAZ10124
1250 (49.2)	500 (19.7)	320 (12.6)	1	NSYPLA1253	NSYPLA1253T	NSYPLAZ1253
1250 (49.2)	500 (19.7)	420 (16.5)	1	NSYPLA1254	NSYPLA1254T	NSYPLAZ1254
1250 (49.2)	750 (29.5)	320 (12.6)	1	NSYPLA1273	NSYPLA1273T	NSYPLAZ1273
1250 (49.2)	750 (29.5)	420 (16.5)	1	NSYPLA1274	NSYPLA1274T	NSYPLAZ1274
1250 (49.2)	1000 (39.4)	320 (12.6)	2	NSYPLA12103	NSYPLA12103T	NSYPLAZ12103
1250 (49.2)	1000 (39.4)	420 (16.5)	2	NSYPLA12104	NSYPLA12104T	NSYPLAZ12104
1250 (49.2)	1250 (49.2)	320 (12.6)	2	NSYPLA12123	NSYPLA12123T	NSYPLAZ12123
1250 (49.2)	1250 (49.2)	420 (16.5)	2	NSYPLA12124	NSYPLA12124T	NSYPLAZ12124
1500 (59.1)	500 (19.7)	320 (12.6)	1	NSYPLA1553	NSYPLA1553T	NSYPLAZ1553
1500 (59.1)	500 (19.7)	420 (16.5)	1	NSYPLA1554	NSYPLA1554T	NSYPLAZ1554
1500 (59.1)	750 (29.5)	320 (12.6)	1	NSYPLA1573	NSYPLA1573T	NSYPLAZ1573
1500 (59.1)	750 (29.5)	420 (16.5)	1	NSYPLA1574	NSYPLA1574T	NSYPLAZ1574
1500 (59.1)	1000 (39.4)	320 (12.6)	2	NSYPLA15103	NSYPLA15103T	NSYPLAZ15103
1500 (59.1)	1000 (39.4)	420 (16.5)	2	NSYPLA15104	NSYPLA15104T	NSYPLAZ15104
1500 (59.1)	1250 (49.2)	320 (12.6)	2	NSYPLA15123	NSYPLA15123T	NSYPLAZ15123
1500 (59.1)	1250 (49.2)	420 (16.5)	2	NSYPLA15124	NSYPLA15124T	NSYPLAZ15124

# Polyester floor-standing enclosures IP44

## Selection guide



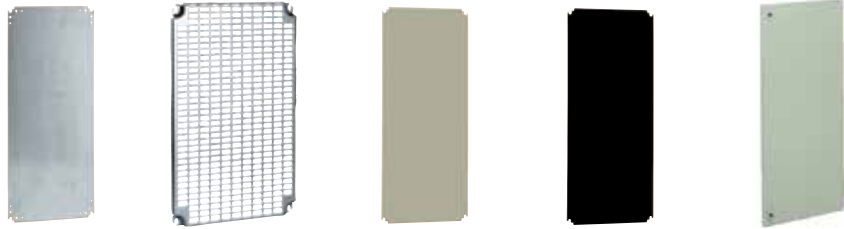
External dimensions: mm (in.)				Enclosures with ventilated canopy, IP44	Enclosures with plinth-type open bottom and ventilated canopy, IP44
Height	Width	Depth	N° of doors	Catalog number of enclosures with door	
				Plain	Plain
500 (19.7)	500 (19.7)	320 (12.6)	1	NSYPLAT553	NSYPLAZT553
500 (19.7)	500 (19.7)	420 (16.5)	1	NSYPLAT554	NSYPLAZT554
500 (19.7)	750 (29.5)	320 (12.6)	1	NSYPLAT573	NSYPLAZT573
500 (19.7)	750 (29.5)	420 (16.5)	1	NSYPLAT574	NSYPLAZT574
500 (19.7)	1000 (39.4)	320 (12.6)	2	NSYPLAT5103	NSYPLAZT5103
500 (19.7)	1000 (39.4)	420 (16.5)	2	NSYPLAT5104	NSYPLAZT5104
500 (19.7)	1250 (49.2)	320 (12.6)	2	NSYPLAT5123	NSYPLAZT5123
500 (19.7)	1250 (49.2)	420 (16.5)	2	NSYPLAT5124	NSYPLAZT5124
750 (29.5)	500 (19.7)	320 (12.6)	1	NSYPLAT753	NSYPLAZT753
750 (29.5)	500 (19.7)	420 (16.5)	1	NSYPLAT754	NSYPLAZT754
750 (29.5)	750 (29.5)	320 (12.6)	1	NSYPLAT773	NSYPLAZT773
750 (29.5)	750 (29.5)	420 (16.5)	1	NSYPLAT774	NSYPLAZT774
750 (29.5)	1000 (39.4)	320 (12.6)	2	NSYPLAT7103	NSYPLAZT7103
750 (29.5)	1000 (39.4)	420 (16.5)	2	NSYPLAT7104	NSYPLAZT7104
750 (29.5)	1250 (49.2)	320 (12.6)	2	NSYPLAT7123	NSYPLAZT7123
750 (29.5)	1250 (49.2)	420 (16.5)	2	NSYPLAT7124	NSYPLAZT7124
1000 (39.4)	500 (19.7)	320 (12.6)	1	NSYPLAT1053	NSYPLAZT1053
1000 (39.4)	500 (19.7)	420 (16.5)	1	NSYPLAT1054	NSYPLAZT1054
1000 (39.4)	750 (29.5)	320 (12.6)	1	NSYPLAT1073	NSYPLAZT1073
1000 (39.4)	750 (29.5)	420 (16.5)	1	NSYPLAT1074	NSYPLAZT1074
1000 (39.4)	1000 (39.4)	320 (12.6)	2	NSYPLAT10103	NSYPLAZT10103
1000 (39.4)	1000 (39.4)	420 (16.5)	2	NSYPLAT10104	NSYPLAZT10104
1000 (39.4)	1250 (49.2)	320 (12.6)	2	NSYPLAT10123	NSYPLAZT10123
1000 (39.4)	1250 (49.2)	420 (16.5)	2	NSYPLAT10124	NSYPLAZT10124
1250 (49.2)	500 (19.7)	320 (12.6)	1	NSYPLAT1253	NSYPLAZT1253
1250 (49.2)	500 (19.7)	420 (16.5)	1	NSYPLAT1254	NSYPLAZT1254
1250 (49.2)	750 (29.5)	320 (12.6)	1	NSYPLAT1273	NSYPLAZT1273
1250 (49.2)	750 (29.5)	420 (16.5)	1	NSYPLAT1274	NSYPLAZT1274
1250 (49.2)	1000 (39.4)	320 (12.6)	2	NSYPLAT12103	NSYPLAZT12103
1250 (49.2)	1000 (39.4)	420 (16.5)	2	NSYPLAT12104	NSYPLAZT12104
1250 (49.2)	1250 (49.2)	320 (12.6)	2	NSYPLAT12123	NSYPLAZT12123
1250 (49.2)	1250 (49.2)	420 (16.5)	2	NSYPLAT12124	NSYPLAZT12124
1500 (59.1)	500 (19.7)	320 (12.6)	1	NSYPLAT1553	NSYPLAZT15104
1500 (59.1)	500 (19.7)	420 (16.5)	1	NSYPLAT1554	NSYPLAZT1554
1500 (59.1)	750 (29.5)	320 (12.6)	1	NSYPLAT1573	NSYPLAZT1573
1500 (59.1)	750 (29.5)	420 (16.5)	1	NSYPLAT1574	NSYPLAZT1574
1500 (59.1)	1000 (39.4)	320 (12.6)	2	NSYPLAT15103	NSYPLAZT15103
1500 (59.1)	1000 (39.4)	420 (16.5)	2	NSYPLAT15104	NSYPLAZT15104
1500 (59.1)	1250 (49.2)	320 (12.6)	2	NSYPLAT15123	NSYPLAZT15123
1500 (59.1)	1250 (49.2)	420 (16.5)	2	NSYPLAT15124	NSYPLAZT15124



# Polyester floor-standing enclosures

## Accessory selection guide

### Mounting accessories



Enclosure dimensions: mm (in.)			Metallic mounting plates		Insulating mounting plates		Internal door
Height	Width	N° of doors	Plain	Telequick	Polyester	Bakelite	
			Page 6/52	Page 6/53	Page 6/52		
500 (19.7)	500 (19.7)	1	NSYPMM55	NSYPMR55	NSYPMA55	NSYPMB55	NSYPAPLA55
500 (19.7)	750 (29.5)	1	NSYPMM75	NSYPMR57	NSYPMA75	NSYPMB75	NSYPAPLA57
500 (19.7)	1000 (39.4)	2	NSYPMM510	2 × NSYPMR55	NSYPMA510	NSYPMB510	2 × NSYPAPLA55
500 (19.7)	1250 (49.2)	2	NSYPMM55 + NSYPMM75	NSYPMR55 + NSYPMR57	NSYPMA55 + NSYPMA75	NSYPMB55 + NSYPMB75	NSYPAPLA55 + NSYPAPLA57
750 (29.5)	500 (19.7)	1	NSYPMM75	NSYPMR75	NSYPMA75	NSYPMB75	NSYPAPLA75
750 (29.5)	750 (29.5)	1	NSYPMM77	NSYPMR77	NSYPMA77	NSYPMB77	NSYPAPLA77
750 (29.5)	1000 (39.4)	2	NSYPMM710	2 × NSYPMR75	NSYPMA710	NSYPMB710	2 × NSYPAPLA75
750 (29.5)	1250 (49.2)	2	NSYPMM712	NSYPMR75 + NSYPMR77	NSYPMA712	NSYPMB712	NSYPAPLA75 + NSYPAPLA77
1000 (39.4)	500 (19.7)	1	NSYPMM105	NSYPMR105	NSYPMA105	NSYPMB105	NSYPAPLA105
1000 (39.4)	750 (29.5)	1	NSYPMM107	NSYPMR107	NSYPMA107	NSYPMB107	NSYPAPLA107
1000 (39.4)	1000 (39.4)	2	NSYPMM1010	2 × NSYPMR105	NSYPMA1010	NSYPMB1010	2 × NSYPAPLA105
1000 (39.4)	1250 (49.2)	2	NSYPMM1012	NSYPMR105 + NSYPMR107	NSYPMA1012	NSYPMB1012	NSYPAPLA105 + NSYPAPLA107
1250 (49.2)	500 (19.7)	1	NSYPMM125	NSYPMR125	NSYPMA125	NSYPMB125	NSYPAPLA125
1250 (49.2)	750 (29.5)	1	NSYPMM127	NSYPMR127	NSYPMA127	NSYPMB127	NSYPAPLA127
1250 (49.2)	1000 (39.4)	2	NSYPMM1210	2 × NSYPMR125	NSYPMA1210	NSYPMB1210	2 × NSYPAPLA125
1250 (49.2)	1250 (49.2)	2	NSYPMM1212	NSYPMR125 + NSYPMR127	NSYPMA1212	NSYPMB1212	NSYPAPLA125 + NSYPAPLA127
1500 (59.1)	500 (19.7)	1	NSYPMM155	NSYPMR155	NSYPMA155	NSYPMB155	NSYPAPLA155
1500 (59.1)	750 (29.5)	1	NSYPMM157	NSYPMR157	NSYPMA157	NSYPMB157	NSYPAPLA157
1500 (59.1)	1000 (39.4)	2	NSYPMM1510	2 × NSYPMR155	NSYPMA1510	NSYPMB1510	2 × NSYPAPLA155
1500 (59.1)	1250 (49.2)	2	NSYPMM1512	NSYPMR155 + NSYPMR157	NSYPMA1512	NSYPMB1512	NSYPAPLA155 + NSYPAPLA157

Step slides



Page 6/54

Uprights and mounting rails



Page 6/56

Door retainer

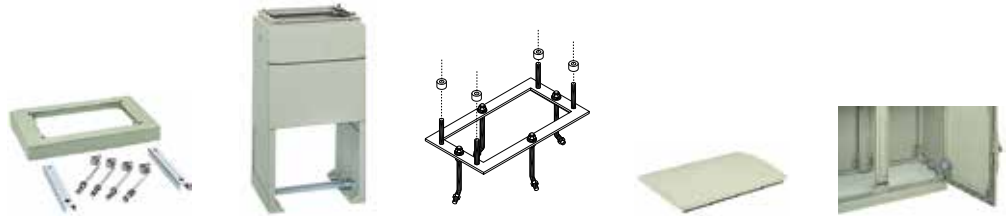


Page 6/48

# Polyester floor-standing enclosures




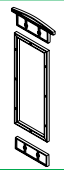


## Accessory selection guide

### Mounting accessories



Enclosure dimensions: mm (in.)		N plinth	H plinth	Floor-mounting frame	Canopy	Cable-entry plate
		Height 60 mm (2.4 in.)	Height 900 mm (35.4 in.)			
Width	Depth	Page 6/44		Page 6/45	Page 6/46	Page 6/47
500 (19.7)	320 (12.6)	NSYZNPLA53	NSYZHPLA53	NSYMFPLAZ53	NSYTJPLA53	NSYECPLAZ53
500 (19.7)	420 (16.5)	NSYZNPLA54	NSYZHPLA54	NSYMFPLAZ54	NSYTJPLA54	NSYECPLAZ54
750 (29.5)	320 (12.6)	NSYZNPLA73	NSYZHPLA73	NSYMFPLAZ73	NSYTJPLA73	NSYECPLAZ73
750 (29.5)	420 (16.5)	NSYZNPLA74	NSYZHPLA74	NSYMFPLAZ74	NSYTJPLA74	NSYECPLAZ74
1000 (39.4)	320 (12.6)	NSYZNPLA103	NSYZHPLA103	NSYMFPLAZ103	NSYTJPLA103	NSYECPLAZ103
1000 (39.4)	420 (16.5)	NSYZNPLA104	NSYZHPLA104	NSYMFPLAZ104	NSYTJPLA104	NSYECPLAZ104
1250 (49.2)	320 (12.6)	NSYZNPLA123	NSYZHPLA123	NSYMFPLAZ123	NSYTJPLA123	NSYECPLAZ123
1250 (49.2)	420 (16.5)	NSYZNPLA124	NSYZHPLA124	NSYMFPLAZ124	NSYTJPLA124	NSYECPLAZ124

### Miscellaneous accessories

<p><b>Door switch</b></p>  <p>Page 6/49</p>	<p><b>Insert</b></p>  <p>Page 6/56</p>	<p><b>Document pocket</b></p>  <p>Page 8/94</p>	<p><b>Coupling Kit</b></p>  <p>Page 6/42</p>
<p><b>Handles and inserts</b></p>  <p>Page 6/50</p>		<p><b>Wall-mounting lug</b></p>  <p>Page 6/46</p>	





<b>Spacial® S44 - S57 - S24 Steel industrial boxes</b> .....	2/2
Spacial S44: Steel industrial boxes IP66 .....	2/4
Spacial S57: Steel industrial boxes IP66 .....	2/6
Spacial S24: Steel industrial boxes for IP55 security applications .....	2/8
<b>Spacial SDB Steel junction boxes IP55</b> .....	2/12
Metallic junction boxes IP55 (IEC 60529) .....	2/14
Small metallic enclosures IP55 (IEC 60529) .....	2/16
<b>Thalassa™ TBS - TBP Insulating industrial boxes</b> .....	2/18
Characteristics .....	2/22
Selection guide .....	2/24
Dimensions .....	2/26
Accessories .....	2/32

# Steel industrial boxes

## Selection guide

2

		
<b>S44</b>	<b>S57</b>	<b>S24</b>
Page 2/4	Page 2/6	Page 2/8

Criteria		Steel industrial box		Enclosure for security applications
Outdoor use		•	•	
Harsh environment				
Degree of protection		IP66 IK08	IP66 IK10	IP55 IK07
Dimensions: mm (in.)	Height	80 to 400 (3.1 to 15.7)	200 or 300 (7.9 or 11.8)	180 or 230 (7.1 or 9.1)
	Width	80 to 400 (3.1 to 15.7)	300 to 500 (11.8 to 19.7)	130 to 210 (5.1 to 8.3)
	Depth	45 to 110 (1.8 to 4.3)	200 or 300 (7.9 or 11.8)	96 or 126 (3.8 or 5.0)
Universal application		•	•	•
Coupling boxes				

Stainless steel industrial boxes: contact us.

# Steel industrial boxes

## Selection guide



External dimensions: mm (in.)			Steel industrial box catalog number			IK10	Opaque door + screws
Height	Width	Depth	IK08				
			Empty	Plate	Uprights (1)		
80 (3.1)	80 (3.1)	45 (1.8)	<b>NSYSBS884</b>	-	-	-	-
100 (3.9)	100 (3.9)	55 (2.2)	<b>NSYSBS10105</b>	-	-	-	-
130 (5.1)	130 (5.1)	60 (2.4)	<b>NSYSBS13136</b>	-	-	-	-
160 (6.3)	160 (6.3)	65 (2.6)	<b>NSYSBS16166</b>	-	-	-	-
165 (6.5)	120 (4.7)	65 (2.6)	<b>NSYSBS16126</b>	<b>NSYSBS16126S</b>	-	-	-
180 (7.1)	130 (5.1)	96 (3.8)	-	-	-	-	<b>NSYSBS18139F</b>
180 (7.1)	165 (6.5)	96 (3.8)	-	-	-	-	<b>NSYSBS18169F</b>
200 (7.9)	200 (7.9)	90 (3.5)	<b>NSYSBS20209</b>	<b>NSYSBS20209S</b>	-	-	-
230 (9.1)	210 (8.3)	126 (5.0)	-	-	-	-	<b>NSYSBS232112F</b>
250 (9.8)	250 (9.8)	100 (3.9)	<b>NSYSBS252510</b>	<b>NSYSBS252510S</b>	-	-	-
300 (11.8)	200 (7.9)	110 (4.3)	-	-	<b>NSYSBS302011R</b>	-	-
300 (11.8)	200 (7.9)	150 (5.9)	-	-	-	<b>NSYSBS302015</b>	-
300 (11.8)	300 (11.8)	100 (3.9)	<b>NSYSBS303010</b>	<b>NSYSBS303010S</b>	-	-	-
300 (11.8)	300 (11.8)	150 (5.9)	-	-	-	<b>NSYSBS303015</b>	-
400 (15.7)	200 (7.9)	110 (4.3)	-	-	<b>NSYSBS402011R</b>	-	-
400 (15.7)	300 (11.8)	150 (5.9)	-	-	-	<b>NSYSBS403015</b>	-
400 (15.7)	400 (15.7)	110 (4.3)	<b>NSYSBS404011</b>	<b>NSYSBS404011S</b>	-	-	-
500 (19.7)	200 (7.9)	110 (4.3)	-	-	<b>NSYSBS502011R</b>	-	-
500 (19.7)	300 (11.8)	110 (4.3)	-	-	<b>NSYSBS503011R</b>	-	-
500 (19.7)	300 (11.8)	200 (7.9)	-	-	-	<b>NSYSBS503020</b>	-
600 (23.6)	200 (7.9)	110 (4.3)	-	-	<b>NSYSBS602011R</b>	-	-
600 (23.6)	300 (11.8)	110 (4.3)	-	-	<b>NSYSBS603011R</b>	-	-

(1) Uprights along small sides (Width).

# Steel industrial boxes IP66

## Characteristics and selection guide

2



IP66 steel industrial boxes.

### Technical characteristics

- Resistance to external mechanical impacts: IK08.
- Structured finish, epoxy-polyester powder paint, RAL 7035 gray color.
- Cover mounting with 4 screws.
- Polyurethane sealing gasket applied.
- Wall mounting: by welded lugs.
- Grounding screws on the body and cover for ground continuity.
- 3 versions:
  - Empty boxes, without internal mounting studs.
  - Boxes with mounting studs for plate.
  - Boxes with markings with a pitch of 12.5 mm (0.5 in.) for rails, on the width side.

### Applications

- Applications requiring protection against water and dust.

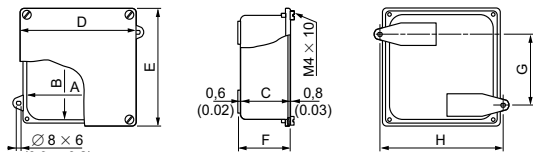


Internal dimensions: mm (in.)			IP66 box catalog number			Catalog number plates
Height	Width	Depth	Empty	Plate	Uprights	
80 (3.1)	80 (3.1)	45 (1.8)	<b>NSYSBS884</b>	-	-	-
100 (3.9)	100 (3.9)	55 (2.2)	<b>NSYSBS10105</b>	-	-	-
130 (5.1)	130 (5.1)	60 (2.4)	<b>NSYSBS13136</b>	-	-	-
160 (6.3)	160 (6.3)	65 (2.6)	<b>NSYSBS16166</b>	-	-	-
165 (6.5)	120 (4.7)	65 (2.6)	<b>NSYSBS16126</b>	<b>NSYSBS16126S</b>	-	<b>NSYAMP1612SB</b>
200 (7.9)	200 (7.9)	90 (3.5)	<b>NSYSBS20209</b>	<b>NSYSBS20209S</b>	-	<b>NSYAMP2020SB</b>
250 (9.8)	250 (9.8)	100 (3.9)	<b>NSYSBS252510</b>	<b>NSYSBS252510S</b>	-	<b>NSYAMP2525SB</b>
300 (11.8)	200 (7.9)	110 (4.3)	-	-	<b>NSYSBS302011R</b>	-
300 (11.8)	300 (11.8)	100 (3.9)	<b>NSYSBS303010</b>	<b>NSYSBS303010S</b>	-	<b>NSYAMP3030SB</b>
400 (15.7)	200 (7.9)	110 (4.3)	-	-	<b>NSYSBS402011R</b>	-
400 (15.7)	400 (15.7)	110 (4.3)	<b>NSYSBS404011</b>	<b>NSYSBS404011S</b>	-	<b>NSYAMP4040SB</b>
500 (19.7)	200 (7.9)	110 (4.3)	-	-	<b>NSYSBS502011R</b>	-
500 (19.7)	300 (11.8)	110 (4.3)	-	-	<b>NSYSBS503011R</b>	-
600 (23.6)	200 (7.9)	110 (4.3)	-	-	<b>NSYSBS602011R</b>	-
600 (23.6)	300 (11.8)	110 (4.3)	-	-	<b>NSYSBS603011R</b>	-

# Steel industrial boxes IP66

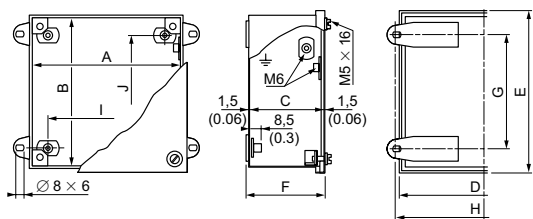
## Dimensions

### Steel industrial boxes without knock-outs, IP66



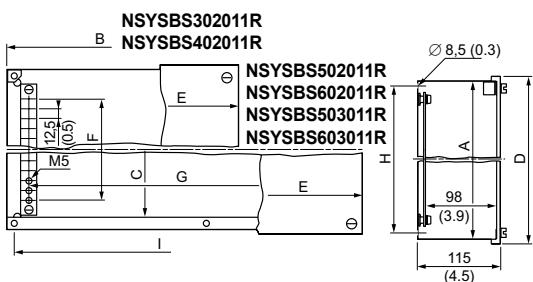
Internal dimensions: mm (in.)			Dimensions: mm (in.)			Mounting: mm (in.)		Gross weight: kg (lbs)	Catalog number
A	B	C	D	E	F	G	H		
80 (3.1)	80 (3.1)	45 (1.8)	96 (3.8)	96 (3.8)	48 (1.9)	50 (2.0)	100 (3.9)	0.190 (0.4)	<b>NSYSBS884</b>
100 (3.9)	100 (3.9)	55 (2.2)	116 (4.6)	116 (4.6)	58 (2.3)	70 (2.8)	120 (4.7)	0.270 (0.6)	<b>NSYSBS10105</b>
130 (5.1)	130 (5.1)	60 (2.4)	142 (5.6)	142 (5.6)	63 (2.5)	100 (3.9)	144 (5.7)	0.300 (0.7)	<b>NSYSBS13136</b>
160 (6.3)	160 (6.3)	65 (2.6)	174 (6.9)	174 (6.9)	68 (2.7)	130 (5.1)	178 (7.0)	0.590 (1.3)	<b>NSYSBS16166</b>

### Bare boxes and boxes with 4 plate-mounting points, IP66



Internal dimensions: mm (in.)			Dimensions: mm (in.)			Box mounting: mm (in.)		Plate mounting: mm (in.)		Catalog number
A	B	C	D	E	F	G	H	I	J	
120 (4.7)	165 (6.5)	65 (2.6)	131 (5.2)	176 (6.9)	72 (2.8)	137 (5.4)	137 (5.4)	90 (3.5)	140 (5.5)	<b>NSYSBS16126</b> <b>NSYSBS16126S</b>
200 (7.9)	200 (7.9)	96 (3.8)	211 (8.3)	211 (8.3)	97 (3.8)	174 (6.9)	217 (8.5)	170 (6.7)	170 (6.7)	<b>NSYSBS20209</b> <b>NSYSBS20209S</b>
250 (9.8)	250 (9.8)	100 (3.9)	262 (10.3)	262 (10.3)	107 (4.2)	224 (8.8)	267 (10.5)	220 (8.7)	220 (8.7)	<b>NSYSBS252510</b> <b>NSYSBS252510S</b>
300 (11.8)	300 (11.8)	100 (3.9)	312 (12.3)	312 (12.3)	107 (4.2)	274 (10.8)	317 (12.5)	270 (10.6)	270 (10.6)	<b>NSYSBS303010</b> <b>NSYSBS303010S</b>
400 (15.7)	400 (15.7)	110 (4.3)	412 (16.2)	412 (16.2)	117 (4.6)	374 (14.7)	417 (16.4)	370 (14.6)	370 (14.6)	<b>NSYSBS404011</b> <b>NSYSBS404011S</b>

### Boxes with uprights, IP66



Internal dimensions: mm (in.)			Dimensions: mm (in.)			Uprights: mm (in.)	Box mounting: mm (in.)		Catalog number
A	B	C	D	E	F	G	H	I	
200 (7.9)	300 (11.8)	-	211 (8.3)	311 (12.2)	125 (4.9)	250 (9.8)	184 (7.2)	284 (11.2)	<b>NSYSBS302011R</b>
200 (7.9)	400 (15.7)	-	211 (8.3)	411 (16.2)	125 (4.9)	350 (13.8)	184 (7.2)	384 (15.1)	<b>NSYSBS402011R</b>
200 (7.9)	500 (19.7)	172 (6.8)	211 (8.3)	511 (20.1)	125 (4.9)	450 (17.7)	184 (7.2)	484 (19.1)	<b>NSYSBS502011R</b>
200 (7.9)	600 (23.6)	172 (6.8)	211 (8.3)	611 (24.1)	125 (4.9)	550 (21.7)	184 (7.2)	584 (23.0)	<b>NSYSBS602011R</b>
300 (11.8)	500 (19.7)	272 (10.7)	312 (12.3)	512 (20.2)	225 (8.9)	450 (17.7)	284 (11.2)	484 (19.1)	<b>NSYSBS503011R</b>
300 (11.8)	600 (23.6)	272 (10.7)	312 (12.3)	612 (24.1)	225 (8.9)	550 (21.7)	284 (11.2)	584 (23.0)	<b>NSYSBS603011R</b>



# Steel industrial boxes IP66

## Characteristics and selection guide

2



### Technical characteristics

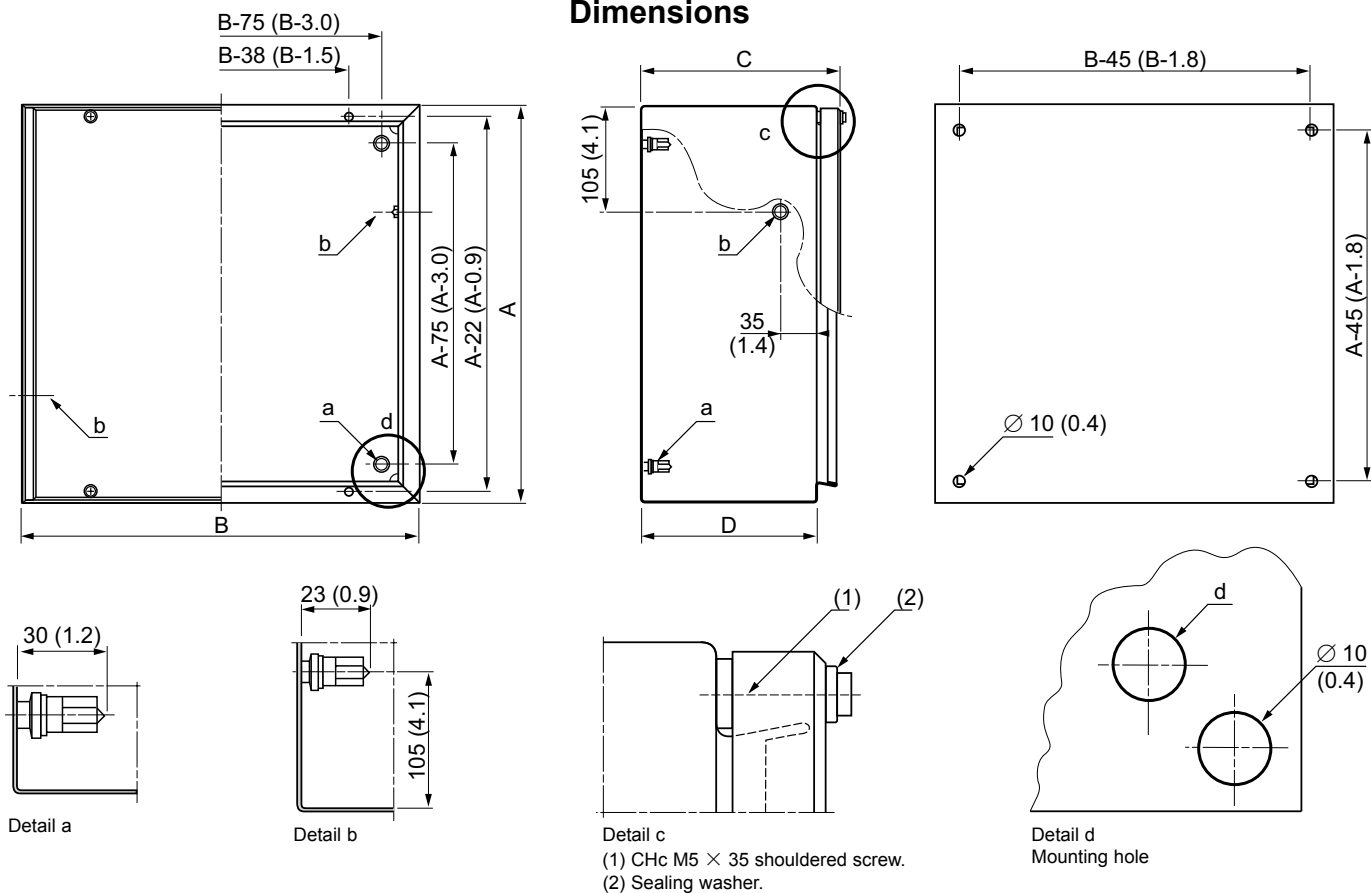
- Sheet-steel enclosure.
- Degree of protection: IP66 according to IEC 60529.
- Resistance to external mechanical impacts: IK10.
- Structured finish, polyester powder paint, RAL 7035 gray color.
- Mounting of the cover with 4 CHc M5 × 35 shouldered captive screws.
- The enclosures are equipped with 4 backstuds for installing the mounting plate.
- Polyurethane sealing gasket.
- Grounding screws on the body and cover for ground continuity.

### Applications

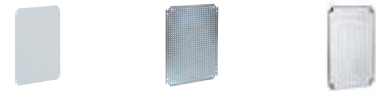
- For use in environments with a risk of dust and/or liquid deposit creation.

External dimensions: mm (in.)							Catalog number
Height	Width	Depth	A	B	C	D	
200 (7.9)	300 (11.8)	150 (5.9)	200 (7.9)	300 (11.8)	150 (5.9)	127 (5.0)	<b>NSYSBS302015</b>
300 (11.8)	300 (11.8)	150 (5.9)	300 (11.8)	300 (11.8)	150 (5.9)	127 (5.0)	<b>NSYSBS303015</b>
300 (11.8)	400 (15.7)	150 (5.9)	300 (11.8)	400 (15.7)	150 (5.9)	127 (5.0)	<b>NSYSBS403015</b>
300 (11.8)	500 (19.7)	200 (7.9)	300 (11.8)	500 (19.7)	200 (7.9)	177 (7.0)	<b>NSYSBS503020</b>

### Dimensions



### Mounting plates



Enclosure dimensions: mm (in.)			Mounting plates catalog number		
Height	Width	Depth	Plain	Microperforated	Telequick®
200 (7.9)	300 (11.8)	150 (5.9)	<b>NSYMM32</b>	<b>NSYMF32</b>	<b>NSYMR32</b>
300 (11.8)	300 (11.8)	150 (5.9)	<b>NSYMM33</b>	<b>NSYMF33</b>	<b>NSYMR33</b>
300 (11.8)	400 (15.7)	150 (5.9)	<b>NSYMM43</b>	<b>NSYMF43</b>	<b>NSYMR43</b>
300 (11.8)	500 (19.7)	200 (7.9)	<b>NSYMM35</b>	<b>NSYMF53</b>	<b>NSYMR53</b>



See accessories page 8/2.

### Wall-mounting lugs



Description	Catalog number
Set of 4 steel mounting lugs	<b>NSYAEFPFSC</b>
Set of 4 stainless-steel mounting lugs	<b>NSYAEFPFXSC</b>



This offer is completed by our range of Spacial S3DC terminal enclosures.



See diagram, dimensions and characteristics: page 3/10 to 3/15.

# Steel industrial boxes for IP55 security applications

## Characteristics and selection guide

2



### Technical characteristics

- Degree of protection IP55 according to IEC 60529.
- Resistance to external mechanical impacts: IK07.
- Structured finish, epoxy-polyester powder paint, RAL 7035 gray or RAL 3000 red for security applications.
- Locking by screws or by side lock with 3-mm (0.1 in.) double-bar insert. Option of installing a handle, catalog no. **NSYTHL1242EPLM** or **NSYTHPLM**, with insert catalog no. **NSYTT8CRN** (ordered separately).
- Plumbable with a cap installed at the plant.
- The enclosures are equipped with 4 nuts welded to the rear. They allow the attachment of a mounting plate (as an accessory) or a personalized mounting plate.
- Polyurethane sealing gasket.
- M6 × 8 mounting screws on the body and cover for ground continuity.

### Applications

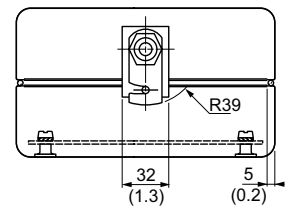
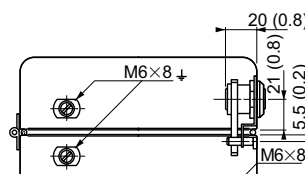
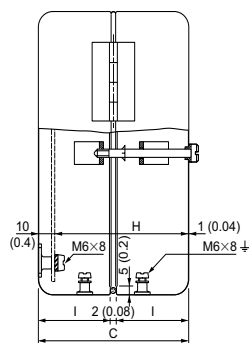
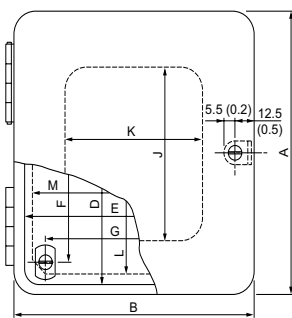
- Security and alarm systems (such as a fire alarm) that can accommodate modular plates and equipment.

### Selection guide



Internal dimensions: mm (in.)			Enclosure catalog number locking by screws		Catalog number of enclosures with side 3-mm (0.1 in.) double-bar lock		
Height	Width	Depth	Plain door	Door with window	Plain door	Door with window	Door with glass window thickness 3 mm (0.1 in.)
180 (7.1)	130 (5.1)	96 (3.8)	<b>NSYSBS18139F</b>	<b>NSYSBS18139FT</b>	<b>NSYSBS18139K</b>	<b>NSYSBS18139KT</b>	<b>NSYSBS18139KTH</b>
180 (7.1)	165 (6.5)	96 (3.8)	<b>NSYSBS18169F</b>	<b>NSYSBS18169FT</b>	<b>NSYSBS18169K</b>	<b>NSYSBS18169KT</b>	<b>NSYSBS18169KTH</b>
230 (9.1)	210 (8.3)	126 (5.0)	<b>NSYSBS232112F</b>	<b>NSYSBS232112FT</b>	<b>NSYSBS232112K</b>	<b>NSYSBS232112KT</b>	<b>NSYSBS232112KTH</b>

Catalog number of enclosures	Dimensions: mm (in.)													Weight: kg (lbs)	Catalog number of plates
	A	B	C	D	E	F	G	H	I	J	K	L	M		
<b>NSYSBS18139F</b>	182 (7.2)	132 (5.2)	107 (4.2)	168 (6.6)	118 (4.6)	140 (5.5)	90 (3.5)	95 (3.7)	52 (2.0)	107 (4.2)	77 (3.0)	160 (6.3)	110 (4.3)	1 (2.2)	<b>NSYAMP1612SB</b>
<b>NSYSBS18169F</b>	182 (7.2)	167 (6.6)	107 (4.2)	168 (6.6)	153 (6.0)	140 (5.5)	125 (4.9)	95 (3.7)	52 (2.0)	108 (4.3)	97 (3.8)	160 (6.3)	145 (5.7)	1.2 (2.6)	<b>NSYAMP1816SB</b>
<b>NSYSBS232112F</b>	232 (9.1)	212 (8.3)	137 (5.4)	218 (8.6)	198 (7.8)	190 (7.5)	170 (6.7)	125 (4.9)	67 (2.6)	157 (6.2)	137 (5.4)	210 (8.3)	190 (7.5)	2 (4.4)	<b>NSYAMP2321SB</b>



## Mounting accessories

- Treated-steel mounting plates, delivered with hardware.
- Kit for modular equipment, delivered with hardware.



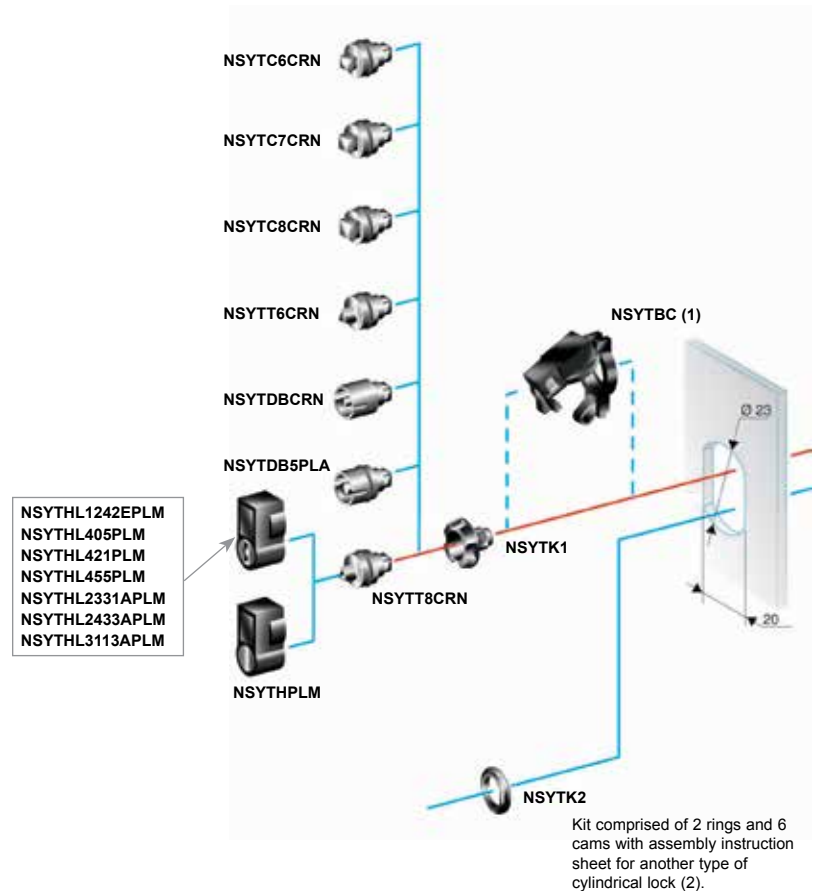
Internal dimensions: mm (in.)			Number of modules	Modular mounting plates	Kits for equipment
Height	Width	Depth			
180 (7.1)	130 (5.1)	96 (3.8)	4	<b>NSYAMPM1612SB</b>	<b>NSYAPMC1813SB</b>
180 (7.1)	165 (6.5)	96 (3.8)	-	<b>NSYAMPM1816SB</b>	-
230 (9.1)	210 (8.3)	126 (5.0)	8	<b>NSYAMPM2321SB</b>	<b>NSYAPMC2321SB</b>

## Mounting lugs and glass-breaking set

- Set of 2 mounting lugs made from treated steel, with hardware (without sealing washer, degraded IP).
- Glass-breaking set (hammer with support).

Description	Catalog number
Set of 2 mounting lugs	<b>NSYAEFS24</b>
Glass-breaking set	<b>NSYAEDXS24</b>

## Door locks



(1) Incompatible with locking handle.  
 (2) Locks not referenced, for special order only. Contact us.  
 Note: the locks are not adaptable on lock screw models.

# Accessories

## Locks

### Lock kit

Description	Catalog number
Handle without lock	NSYTHPLM
Sealing or padlocking cap	NSYTBC
Replacement spare lock	NSYTK1
EDF/RONIS kit	NSYTK2

### Insert shape/type

Description	Catalog number
Square 6 mm (0.2 in.)	NSYTC6CRN
Square 7 mm (0.3 in.)	NSYTC7CRN
Square 8 mm (0.3 in.)	NSYTC8CRN
Double bar 3 mm (0.1 in.) (standard)	NSYTDBCRN
Double bar 5 mm (0.2 in.)	NSYTDB5PLA
Triangular 6.5 mm (0.3 in.) CNOMO	NSYTT6CRN
Triangular 8 mm (0.3)	NSYTT8CRN

### Handles with push-button release (delivered with insert catalog no. NSYTT8CRN)

Description	Catalog number
Key lock 1242E	NSYTHL1242EPLM
Key lock 405	NSYTHL405PLM
Key lock 421	NSYTHL421PLM
Key lock 455	NSYTHL455PLM
Key lock 2331A	NSYTHL2331APLM
Key lock 2433A	NSYTHL2433APLM
Key lock 3113A	NSYTHL3113APLM

# Steel junction boxes IP55

## Overview

2

Boxes and small enclosures made of sheet-steel, protected inside and outside with epoxy-polyester paint in RAL 7035 gray.



With or without metric knock-outs for tube entry.



2 versions available: with high or low cover.



Backs equipped with threaded drill holes for mounting equipment. From model 15/10 and up, there are four M4 threaded holes fitted with removable plugs for attaching the mounting plate. Direct wall-mounting.



PVC or rubber sealing gasket, depending on the model.



Double-bar lock with inserted key can be used as a handle lock. Other lock inserts are available.





## Metallic junction boxes IP55 (IEC 60529)

2



NSYDA2520M

**Metallic boxes made of sheet-steel, protected inside and outside with textured epoxy-polyester paint in RAL 7035 gray.**

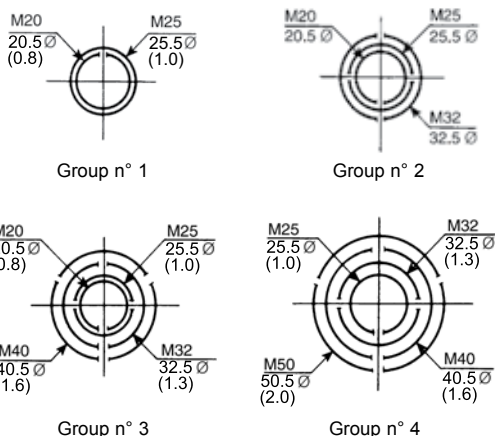
The SDB series consists of 4 basic models:

- Without knock-outs: **NSYDBN** with low cover and **NSYDAN** with high cover.
- With knock-outs: **NSYDB●●●M** with low cover and **NSYDA●●●M** with high cover.
- PVC sealing gasket on sizes up to 20/15 and a rubber gasket for sizes larger than 25/20.
- Back provided with threaded drill holes for mounting equipment. From size 15/10 and up, there are four M4 threaded holes fitted with removable plugs for attaching the mounting plate.
- Direct wall-mounting through drill holes fitted with plastic plugs to help ensure the seal.

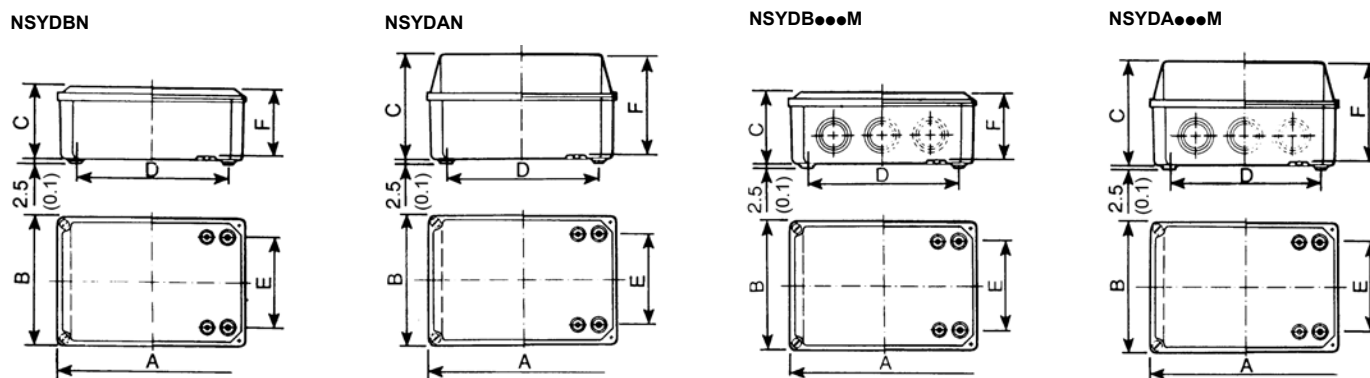


NSYDBN1510

# Metallic junction boxes IP55 (IEC 60529)



### Dimensions: mm (in.)



### Models, dimensions and catalog numbers

	External dimensions: mm (in.)			Models without knock-outs	Models with knock-outs, n° of drill holes, knock-outs and group		Dimensions: mm (in.)			Plain mounting plate	Weight: kg (lbs)	
	Height (A)	Width (B)	Depth (C)	Catalog number	Catalog number	Height (A)	Width (B)	D	E			F
Low cover models	85 (3.4)	85 (3.6)	49 (1.9)	NSYDBN88	NSYDB88M	1 n° 1	1 n° 1	58 (2.3)	58 (2.3)	-	-	0.18 (0.4)
	105 (4.1)	105 (4.1)	49 (1.9)	NSYDBN1010	NSYDB1010M	2 n° 1	1 n° 1	76 (3.0)	76 (3.0)	-	-	0.25 (0.6)
	155 (6.1)	105 (4.1)	61 (2.4)	NSYDBN1510	NSYDB1510M	3 n° 1	1 n° 2	124 (4.9)	74 (2.9)	56 (2.2)	NSYPMD1510	0.38 (0.8)
	206 (8.1)	156 (6.1)	83 (3.3)	NSYDBN2015	NSYDB2015M	3 n° 3	2 n° 3	172 (6.8)	122 (4.8)	78 (3.1)	NSYPMD2015	1 (2.2)
	256 (10.1)	206 (8.1)	93 (3.7)	NSYDBN2520	NSYDB2520M	3 n° 4	2 n° 4	220 (8.7)	170 (6.7)	88 (3.5)	NSYPMD2520	1.5 (3.3)
	307 (12.1)	257 (10.1)	116 (4.6)	NSYDBN3025	NSYDB3025M	2 n° 3, 2 n° 4	3 n° 4	268 (10.6)	218 (8.6)	110 (4.3)	NSYPMD3025	3.3 (7.3)
	357 (14.1)	307 (12.1)	136 (5.4)	NSYDBN3530	NSYDB3530M	2 n° 3, 3 n° 4	2 n° 3, 2 n° 4	318 (12.5)	268 (10.6)	130 (5.1)	NSYPMD3530	4.8 (10.6)
High cover models	155 (6.1)	105 (4.1)	88 (3.5)	NSYDAN1510	NSYDA1510M	3 n° 2	1 n° 2	124 (4.9)	74 (2.9)	83 (3.3)	NSYPMD1510	0.45 (1.0)
	206 (8.1)	156 (6.1)	122 (4.8)	NSYDAN2015	NSYDA2015M	3 n° 3	2 n° 3	172 (6.8)	122 (4.8)	121 (4.8)	NSYPMD2015	1.2 (2.6)
	256 (10.1)	206 (8.1)	140 (5.5)	NSYDAN2520	NSYDA2520M	3 n° 4	2 n° 4	220 (8.7)	170 (6.7)	131 (5.2)	NSYPMD2520	1.9 (4.2)



## Small metallic enclosures IP55 (IEC 60529)

2



NSYDBN3025D

**Metallic enclosures made of sheet-steel, protected inside and outside with textured epoxy-polyester paint in RAL 7035 gray.**

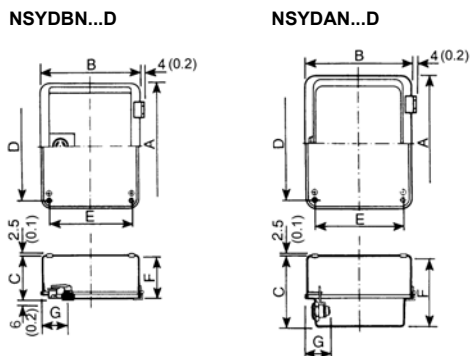
- The Spacial SDB series with hinges consists of 2 models **NSYSDBN●●●D** low cover and **NSYDAN●●●D** high cover.
- Enclosures are fitted with a sealing gasket and M4 threaded holes with removable plugs for attaching the mounting plate or other equipment.
- Lock with double-bar insert  operated with key (standard  supply). Inserting the key into the lock converts it into a handle lock. See the table on page 2/17 for other locks.



NSYDAN3025D

# Small metallic enclosures IP55 (IEC 60529)




## Dimensions: mm (in.)



## Models, dimensions and catalog numbers

	External dimensions: mm (in.)			Models without knock-outs	Dimensions: mm (in.)				Plain mounting plate	Weight: kg (lbs)
	Height (A)	Width (B)	Depth (C)	Catalog number	D	E	F	G		
Low cover models	206 (8.1)	156 (6.1)	83 (3.3)	<b>NSYDBN2015D</b>	172 (6.8)	122 (4.8)	78 (3.1)	55 (2.2)	<b>NSYPMD2015</b>	1 (2.2)
	256 (10.1)	206 (8.1)	93 (3.7)	<b>NSYDBN2520D</b>	220 (8.7)	170 (6.7)	88 (3.5)	55 (2.2)	<b>NSYPMD2520</b>	1.5 (3.3)
	307 (12.1)	257 (10.1)	116 (4.6)	<b>NSYDBN3025D</b>	268 (10.6)	218 (8.6)	110 (4.3)	55 (2.2)	<b>NSYPMD3025</b>	3.3 (7.3)
	357 (14.1)	307 (12.1)	136 (5.4)	<b>NSYDBN3530D</b>	318 (12.5)	268 (10.6)	130 (5.1)	55 (2.2)	<b>NSYPMD3530</b>	4.8 (10.6)
High cover models	206 (8.1)	156 (6.1)	122 (4.8)	<b>NSYDAN2015D</b>	172 (6.8)	122 (4.8)	121 (4.8)	45 (1.8)	<b>NSYPMD2015</b>	1.2 (2.6)
	256 (10.1)	206 (8.1)	140 (5.5)	<b>NSYDAN2520D</b>	220 (8.7)	170 (6.7)	131 (5.2)	45 (1.8)	<b>NSYPMD2520</b>	1.9 (4.2)
	307 (12.1)	257 (10.1)	174 (6.9)	<b>NSYDAN3025D</b>	268 (10.6)	218 (8.6)	168 (6.6)	45 (1.8)	<b>NSYPMD3025</b>	4 (8.8)
	357 (14.1)	307 (12.1)	210 (8.3)	<b>NSYDAN3530D</b>	318 (12.5)	268 (10.6)	204 (8.0)	45 (1.8)	<b>NSYPMD3530</b>	5.8 (12.8)

## Lock configurations

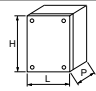
Type and size		Operated with a key	Catalog number
 Square insert	□ 6 mm (0.2 in.)	LC-7	<b>NSYTC6CRN</b>
	□ 7 mm (0.3 in.)	LC-7	<b>NSYTC7CRN</b>
	□ 8 mm (0.3 in.)	LC-8	<b>NSYTC8CRN</b>
 Triangular insert	▲ 6 mm (0.2 in.)	LT-8	<b>NSYTT6CRN</b>
	▲ 7 mm (0.3 in.)	LT-8	<b>NSYTT7CRN</b>
	▲ 8 mm (0.3 in.)	LT-8	<b>NSYTT8CRN</b>
405 key-type lock			<b>NSYCL405CRN</b>

# Insulating industrial boxes

## Overview

### Insulating industrial boxes

		
<b>ABS</b>	<b>Polycarbonate</b>	<b>Polyester</b>
Page 2/24	Page 2/24	See Thalassa PLS section

Criteria	Materials	ABS	Polycarbonate	Polyester loaded with fiberglass
Outdoor use with exposure to UV			•	•
Aggressive environment		•	•	• (2)
Protection rating		IP66 IK07	IP66 IK08	IP65 IK10
Fire resistance: glow wire IEC 60695-2-11.		650 °C	960 °C	960 °C
External dimensions: mm (in.)		<b>H</b> 74 (2.9) to 341 (13.4) <b>W</b> 74 (2.9) to 291 (11.5) <b>D</b> 54 (2.1) to 168 (6.6)	<b>H</b> 74 (2.9) to 341 (13.4) <b>W</b> 74 (2.9) to 291 (11.5) <b>D</b> 54 (2.1) to 168 (6.6)	<b>H</b> 180 (7.1) to 540 (21.3) <b>W</b> 270 (10.6) to 720 (28.4) <b>D</b> 180 (7.1) to 230 (9.1)
Universal application		•	•	•
Electronic application				•
Coupling boxes		• (1)	• (1)	•

(1) See accessories on pages 2/32 to 2/42

(2) See Thalassa PLS section on pages 6/4 to 6/11.

### Universal, electronic and junction applications



Page 2/24

Page 2/25

Dimensions: mm (in.)								ABS boxes IP66-IK07	PC UL boxes IP66-IK08	Boxes with buttons
External			Internal							
Height	Width	Depth	Height	Width	Depth	Body	Lid			
74 (2.9)	74 (2.9)	54 (2.1)	65 (2.6)	65 (2.6)	47 (1.9)	37 (1.4)	10 (0.4)	•	•	•
89 (3.5)	89 (3.5)	54 (2.1)	80 (3.2)	80 (3.2)	47 (1.9)	37 (1.4)	10 (0.4)	•	•	
116 (4.6)	74 (2.9)	62 (2.4)	105 (4.1)	65 (2.6)	55 (2.2)	45 (1.8)	10 (0.4)	•	•	•
116 (4.6)	74 (2.9)	94 (3.7)	105 (4.1)	65 (2.6)	85 (3.4)	45 (1.8)	40 (1.6)	•		
116 (4.6)	116 (4.6)	62 (2.4)	105 (4.1)	105 (4.1)	55 (2.2)	45 (1.8)	10 (0.4)	•	•	
116 (4.6)	116 (4.6)	133 (5.2)	105 (4.1)	105 (4.1)	125 (4.9)	45 (1.8)	80 (3.2)	•		
138 (5.4)	93 (3.7)	72 (2.8)	125 (4.9)	80 (3.2)	65 (2.6)	45 (1.8)	20 (0.8)	•	•	
164 (6.4)	121 (4.8)	87 (3.4)	150 (5.9)	105 (4.1)	80 (3.2)	60 (2.4)	20 (0.8)	•	•	
192 (7.6)	121 (4.8)	87 (3.4)	175 (6.9)	105 (4.1)	80 (3.2)	60 (2.4)	20 (0.8)	•	•	
192 (7.6)	121 (4.8)	105 (4.1)	175 (6.9)	105 (4.1)	100 (3.9)	60 (2.4)	40 (1.6)	•	•	
192 (7.6)	164 (6.4)	87 (3.4)	175 (6.9)	150 (5.9)	80 (3.2)	60 (2.4)	20 (0.8)	•	•	
192 (7.6)	164 (6.4)	105 (4.1)	175 (6.9)	150 (5.9)	100 (3.9)	60 (2.4)	40 (1.6)	•	•	
241 (9.5)	194 (7.6)	87 (3.4)	225 (8.9)	175 (6.9)	80 (3.2)	60 (2.4)	20 (0.8)	•	•	
241 (9.5)	194 (7.6)	107 (4.2)	225 (8.9)	175 (6.9)	100 (3.9)	60 (2.4)	40 (1.6)	•	•	
241 (9.5)	194 (7.6)	107 (4.2)	225 (8.9)	175 (6.9)	100 (3.9)	80 (3.2)	20 (0.8)	•	•	
241 (9.5)	194 (7.6)	127 (5.0)	225 (8.9)	175 (6.9)	120 (4.7)	80 (3.12)	40 (1.6)	•	•	
291 (11.4)	241 (9.5)	88 (3.4)	275 (10.8)	225 (8.9)	80 (3.2)	60 (2.4)	20 (0.8)	•	•	
291 (11.4)	241 (9.5)	128 (5.0)	275 (10.8)	225 (8.9)	120 (4.7)	60 (2.4)	60 (2.4)	•	•	
291 (11.4)	241 (9.5)	128 (5.0)	275 (10.8)	225 (8.9)	120 (4.7)	100 (3.9)	20 (0.8)	•	•	
291 (11.4)	241 (9.5)	168 (6.6)	275 (10.8)	225 (8.9)	160 (6.3)	100 (3.9)	60 (2.4)	•	•	
341 (13.4)	291 (11.4)	128 (5.0)	325 (12.8)	275 (10.8)	120 (4.7)	100 (3.9)	20 (0.8)	•	•	
341 (13.4)	291 (11.4)	168 (6.6)	325 (12.8)	275 (10.8)	160 (6.3)	100 (3.9)	60 (2.4)	•	•	

### Power distribution and infrastructures



See Thalassa PLS section

External dimensions: mm (in.)			PLS boxes IP65 - IK10	
Height	Width	Depth	Opaque covers	Transparent covers
180 (7.1)	270 (10.6)	180 (7.1)	•	•
270 (10.6)	270 (10.6)	180 (7.1)	•	•
270 (10.6)	270 (10.6)	230 (9.1)	•	•
270 (10.6)	360 (14.2)	180 (7.1)	•	•
270 (10.6)	360 (14.2)	230 (9.1)	•	•
270 (10.6)	540 (21.3)	180 (7.1)	•	•
270 (10.6)	540 (21.3)	230 (9.1)	•	•
380 (15.0)	360 (14.2)	180 (7.1)	•	•
380 (15.0)	540 (21.3)	180 (7.1)	•	•
380 (15.0)	540 (21.3)	230 (9.1)	•	•
380 (15.0)	720 (28.4)	230 (9.1)	•	•
540 (21.3)	540 (21.3)	180 (7.1)	•	•
540 (21.3)	540 (21.3)	230 (9.1)	•	•
540 (21.3)	720 (28.4)	230 (9.1)	•	•

# Industrial boxes IP66, IK07 and IK08 Overview

**Easy to install**  
3 methods of mounting  
the box to its support

**Easy to use**  
Only one tool is required:  
a flat screwdriver

**Sealed**  
IP66 for all  
the ranges

**Smart**  
Mounting studs  
on the cover

**Robust**  
Up to IK08

**Versatile**  
Wide range of options for cable  
entries and internal equipment

**Modular**  
Simple and logical range of  
widths, heights and depths



# Industrial boxes IP66, IK07 and IK08 Overview

## Adaptable

Good flame resistance:  
ABS: 650 °C.  
PC (UL): 960 °C, UL94V0.

## Standard

The various installation studs all have the same diameter. Only one type of screw is needed to mount all the accessories: batch of 100 self-tapping screws, catalog no. **NSYAMFSTB**.

## Well designed

Mounting studs in the cover for accommodating equipment.  
Corners for centering the cover on the body.

## Aesthetic

Rounded design maximizes robustness and sealing.

## Choice

- 22 models from 74 × 74 × 54 mm (2.9 × 2.9 × 2.1 in.) to 341 × 291 × 168 mm (13.4 × 11.5 × 6.6 in.) in ABS or polycarbonate (PC) with low or high, opaque or transparent covers.
- Multiple installation accessories.

## Installation

Various options for mounting the box, outside the sealed volume, through the rear of the box or using external lugs.

## Modularity

Logical and simple range of width, height and depth dimensions, allowing the boxes to be joined.

## Performance

- Sealing:
  - A polyurethane seal helps ensure IP66 protection.
  - UL/NEMA rated 4, 4X according to UL 50E and NEMA 250.
- Mechanical strength:
  - ABS: IK07 (2J).
  - Polycarbonate: IK08 (5J).

## Light and resistant

Boxes weighing so little are highly impact resistant.

## Practical

Cardboard packaging is reusable once the enclosure is equipped.

## Certified

IEC 62208 Certified TÜV (report available on our website).

## Environmentally friendly

Respect for eco-design rules (product environmental profile).  
Halogen-free plastic materials.

## Approved

SEMKO, DEMKO, TÜV and UL 508A, Industrial Control Panel Enclosures.



# Thermoplastic industrial boxes

## Characteristics

2



### General features

- Large range of sizes (H, W, D).
- High or low, opaque or transparent cover.
- Boxes that can be joined (exactly the same dimensions) with kit catalog no. **13934AB**.
- Locks available on boxes from size 116 × 116 × 62 mm (4.6 × 4.6 × 2.4 in.) and up:
  - Cover locking by 4 plastic captive screws with coarse thread outside the sealed area.
  - Plumbable lock.
- Locks available on boxes from size 138 × 93 × 72 mm (5.4 × 3.7 × 2.8 in.) and up:
  - The standard screws (flat screwdriver) can be replaced with other standard screws (page **2/38**).
- The 4 legs of the cover help ensure its robustness and provide support during customization operations.
- Adaptable hinges on all the 20 and 40 mm (0.8 and 1.6 in.) covers (page **2/37**).

### Materials

- ABS boxes:
  - IK07 (2J) according to IEC 62262.
  - Glow wire resistance: 650 °C according to IEC 60695-2-11.
  - Usage temperature: –25 °C...+60 °C.
  - Installation temperature: –15 °C...+40 °C.
- Polycarbonate boxes:
  - IK08 (5J) according to IEC 62262.
  - Glow wire resistance: 960 °C.
  - Usage temperature: –25 °C...+80 °C.
  - Installation temperature: –15 °C...+60 °C.
  - Certified according to UL 508A.

### Mounting the box

- On boxes size 138 × 93 × 72 mm (5.4 × 3.7 × 2.8 in.) and up: 4 corner mounting points are provided outside of the sealed box.
- Through the rear of the box by 2 or 4 elongated holes to be perforated.
- On boxes size 116 × 116 × 62 mm (4.6 × 4.6 × 2.4 in.) and up: with mounting lugs (catalog no. **NSYAEFTB**).

### Equipment installation

- Studs for mounting equipment in the body and on the cover of the box with a  $\varnothing 4 \times 10$  mm (0.2 × 0.4 in.) self-tapping screw with Pozidriv and slotted head (catalog no. **NSYAMFSTB**).
- Option of installing rails (page **2/40**), plates or other supports.
- Spacers and stand-offs can be installed on the studs, for adjusting the height of the equipment.

### Technical characteristics

- IP66 according to IEC 60529.
- NEMA 4, 4X according to NEMA 250 and UL 50E.
- Class II according to IEC 61140.
- Color:
  - Body: RAL 7035 gray.
  - Cover: RAL 7035 gray or tinted transparent.
- Insulating, halogen-free plastic materials.
- Resistance to chemical and atmospheric agents: see technical appendices.

### Thermal dissipation

- Use a suitable calculation method according to IEC 60890.
- Anti-condensation valves, available as an accessory, help prevent the build-up of moisture inside the box.

# Thermoplastic industrial boxes

## Certifications

### Certifications

- IEC 62208 certified by TÜV.
- SEMKO, DEMKO.
- UL: polycarbonate range.
- Product environmental profile.

### Choose the material according to the environment

- ABS for conventional applications (IK07) with the usual constraints.
- Polycarbonate for enhanced impact resistance and for outdoor applications or applications directly exposed to UV.
- Polycarbonate certified UL.

Materials	ABS	Polycarbonate
IP	66	66
IK	07	08
Glow wire resistance	650 °C	960 °C
Standard	IEC 62208	UL 508A/IEC 62208
Usage temperature (°C)	- 25 ... + 60 °C	- 25 ... + 80 °C
UV	+	+++
Chemical	+	+++
Halogen	None	Very low
Self-extinguishing	-	UL 94 V0



# Thermoplastic industrial boxes

## Selection guide

2



### ABS or polycarbonate boxes with low cover

- IP66 - NEMA 4, 4X.
- IK07 (ABS) - IK08 (PC).
- RAL 7035 gray.
- Boxes 54 to 128 mm (2.1 to 5.0 in.) deep with 10 to 20 mm (0.4 to 0.8 in.) covers.
- Opaque or transparent cover.
- Hinges: as accessories and only for the 20 mm (0.8 in.) covers.

Overall external dimensions: mm (in.)			Overall internal dimensions: mm (in.)			Body: mm (in.)	Cover: mm (in.)	Qty.	Cover screw	ABS boxes IP66 - IK07		PC-UL boxes IP66 - IK08	
Height	Width	Depth	Height	Width	Depth					Cover		Cover	
						Opaque	Transparent	Opaque	Transparent				
74 (2.9)	74 (2.9)	54 (2.1)	65 (2.6)	65 (2.6)	47 (1.9)	37 (1.5)	10 (0.4)	5	Metal	NSYTBS775	-	NSYTBP775	-
89 (3.5)	89 (3.5)	54 (2.1)	80 (3.1)	80 (3.1)	47 (1.9)	37 (1.5)	10 (0.4)	5	Metal	NSYTBS885	-	NSYTBP885	-
116 (4.6)	74 (2.9)	62 (2.4)	105 (4.1)	65 (2.6)	55 (2.2)	45 (1.8)	10 (0.4)	5	Metal	NSYTBS1176	-	NSYTBP1176	-
116 (4.6)	116 (4.6)	62 (2.4)	105 (4.1)	105 (4.1)	55 (2.2)	45 (1.8)	10 (0.4)	5	Plastic	NSYTBS11116	-	NSYTBP11116	-
138 (5.4)	93 (3.7)	72 (2.8)	125 (4.9)	80 (3.1)	65 (2.6)	45 (1.8)	20 (0.8)	2	Plastic	NSYTBS1397	NSYTBS1397T	NSYTBP1397	NSYTBP1397T
164 (6.5)	121 (4.8)	87 (3.4)	150 (5.9)	105 (4.1)	80 (3.1)	60 (2.4)	20 (0.8)	2	Plastic	NSYTBS16128	NSYTBS16128T	NSYTBP16128	NSYTBP16128T
192 (7.6)	121 (4.8)	87 (3.4)	175 (6.9)	105 (4.1)	80 (3.1)	60 (2.4)	20 (0.8)	2	Plastic	NSYTBS19128	NSYTBS19128T	NSYTBP19128	NSYTBP19128T
192 (7.6)	164 (6.5)	87 (3.4)	175 (6.9)	150 (5.9)	80 (3.1)	60 (2.4)	20 (0.8)	1	Plastic	NSYTBS19168	NSYTBS19168T	NSYTBP19168	NSYTBP19168T
241 (9.5)	194 (7.6)	87 (3.4)	225 (8.9)	175 (6.9)	80 (3.1)	60 (2.4)	20 (0.8)	1	Plastic	NSYTBS24198	NSYTBS24198T	NSYTBP24198	NSYTBP24198T
241 (9.5)	194 (7.6)	107 (4.2)	225 (8.9)	175 (6.9)	100 (3.9)	80 (3.1)	20 (0.8)	1	Plastic	NSYTBS241910	NSYTBS241910T	NSYTBP241910	NSYTBP241910T
291 (11.5)	241 (9.5)	88 (3.5)	275 (10.8)	225 (8.9)	80 (3.1)	60 (2.4)	20 (0.8)	1	Plastic	NSYTBS29248	NSYTBS29248T	NSYTBP29248	NSYTBP29248T
291 (11.5)	241 (9.5)	128 (5.0)	275 (10.8)	225 (8.9)	120 (4.7)	100 (3.9)	20 (0.8)	1	Plastic	NSYTBS292412	NSYTBS292412T	NSYTBP292412	NSYTBP292412T
341 (13.4)	291 (11.5)	128 (5.0)	325 (12.8)	275 (10.8)	120 (4.7)	100 (3.9)	20 (0.8)	1	Plastic	NSYTBS342912	NSYTBS342912T	NSYTBP342912	NSYTBP342912T



### ABS or polycarbonate boxes with high cover

- IP66 - NEMA 4, 4X.
- IK07 (ABS) - IK08 (PC).
- RAL 7035 gray.
- Boxes 94 to 168 mm (3.7 to 6.6 in.) deep with 40 to 80 mm (1.6 to 3.1 in.) covers.
- Opaque or transparent cover.
- Hinges: as accessories and only for the 40 mm (1.6 in.) covers.

Overall external dimensions: mm (in.)			Overall internal dimensions: mm (in.)			Body (mm)	Cover (mm)	Qty.	Cover screw	ABS boxes IP66 - IK07		PC-UL boxes IP66 - IK08	
Height	Width	Depth	Height	Width	Depth					Cover		Cover	
						Opaque	Transparent	Opaque	Transparent				
116 (4.6)	74 (2.9)	94 (3.7)	105 (4.1)	65 (2.6)	85 (3.3)	45 (1.8)	40 (1.6)	3	Metal	NSYTBS1179H	-	-	-
116 (4.6)	116 (4.6)	133 (5.2)	105 (4.1)	105 (4.1)	125 (4.9)	45 (1.8)	80 (3.1)	2	Plastic	NSYTBS111113H	-	-	-
192 (7.6)	121 (4.8)	105 (4.1)	175 (6.9)	105 (4.1)	100 (3.9)	60 (2.4)	40 (1.6)	2	Plastic	NSYTBS191210H	NSYTBS191210HT	NSYTBP191210H	NSYTBP191210HT
192 (7.6)	164 (6.5)	105 (4.1)	175 (6.9)	150 (5.9)	100 (3.9)	60 (2.4)	40 (1.6)	1	Plastic	NSYTBS191610H	NSYTBS191610HT	NSYTBP191610H	NSYTBP191610HT
241 (9.5)	194 (7.6)	107 (4.2)	225 (8.9)	175 (6.9)	100 (3.9)	60 (2.4)	40 (1.6)	1	Plastic	NSYTBS241910H	NSYTBS241910HT	NSYTBP241910H	NSYTBP241910HT
241 (9.5)	194 (7.6)	127 (5.0)	225 (8.9)	175 (6.9)	120 (4.7)	80 (3.1)	40 (1.6)	1	Plastic	NSYTBS241912H	NSYTBS241912HT	NSYTBP241912H	NSYTBP241912HT
291 (11.5)	241 (9.5)	128 (5.0)	275 (10.8)	225 (8.9)	120 (4.7)	60 (2.4)	60 (2.4)	1	Plastic	NSYTBS292412H	NSYTBS292412HT	NSYTBP292412H	NSYTBP292412HT
291 (11.5)	241 (9.5)	168 (6.6)	275 (10.8)	225 (8.9)	160 (6.3)	100 (3.9)	60 (2.4)	1	Plastic	NSYTBS292416H	NSYTBS292416HT	NSYTBP292416H	NSYTBP292416HT
341 (13.4)	291 (11.5)	168 (6.6)	325 (12.8)	275 (10.8)	160 (6.3)	100 (3.9)	60 (2.4)	1	Plastic	NSYTBS342916H	NSYTBS342916HT	NSYTBP342916H	NSYTBP342916HT

# Thermoplastic industrial boxes

## Selection guide

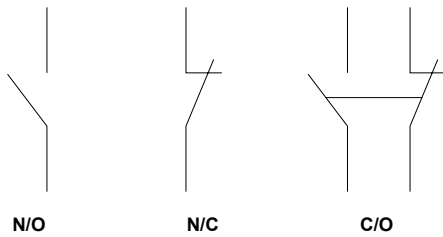


### Boxes equipped with IP54 ABS buttons

Overall external dimensions: mm (in.)			Qty.	Catalog number
Height	Width	Depth		
74 (2.9)	74 (2.9)	83 (3.3)	1	NSYTBS775B1Y (1)
116 (4.6)	74 (2.9)	75 (3.0)	1	NSYTBS1176B2
116 (4.6)	74 (2.9)	75 (3.0)	1	NSYTBS1176B3

(1) Catalog no. **NSYTBS775B1Y** houses an Emergency Stop palm button with mechanical locking according to standards IEC 60364-5-53 and 60947-5-5.

- Off function with a red, Ø 40 mm (1.6 in.), turn-to-lock palm button.
- Start/Stop function with 2 push buttons.
- Up/Down/Stop function with 3 push buttons.
- Technical features of the switches:
  - Normally-closed (N/C) switch with positive opening maneuver according to IEC 60947-5-1 appendix K.
  - Mechanical durability of the switch: 0.1 million cycles.
  - Mechanical durability of the normally-closed (N/C) and normally-open (N/O) switches: 5 million cycles.
  - Protection against short circuits: 10 A.



Function	Type			Type of push button
	N/O	N/C	C/O	
Off	1	1	-	Latching, red
Start/Stop				
Start	1	-	-	Flush, green
Stop	-	1	-	Projecting, red
Up/Down/Stop				
Up	-	-	1	Flush, black
Down	-	-	1	Flush, white
Stop	-	1	-	Projecting, red



### ABS button boxes not equipped

Overall internal dimensions: mm (in.)					Overall external dimensions: mm (in.)			Qty.	Grille	
H.	W.	D.	Body	Cover	H.	W.	D.			
65 (2.6)	65 (2.6)	45 (1.8)	35 (1.4)	10 (0.4)	74 (2.9)	74 (2.9)	54 (2.1)	1 hole	5	NSYTBS775C1
65 (2.6)	65 (2.6)	45 (1.8)	35 (1.4)	10 (0.4)	74 (2.9)	74 (2.9)	54 (2.1)	1 hole	5	NSYTBS775C1Y (1)
105 (4.1)	65 (2.6)	55 (2.2)	45 (1.8)	10 (0.4)	116 (4.6)	74 (2.9)	62 (2.4)	2 holes	5	NSYTBS1176C2
105 (4.1)	65 (2.6)	55 (2.2)	45 (1.8)	10 (0.4)	116 (4.6)	74 (2.9)	62 (2.4)	3 holes	5	NSYTBS1176C3

(1) Yellow Off box.

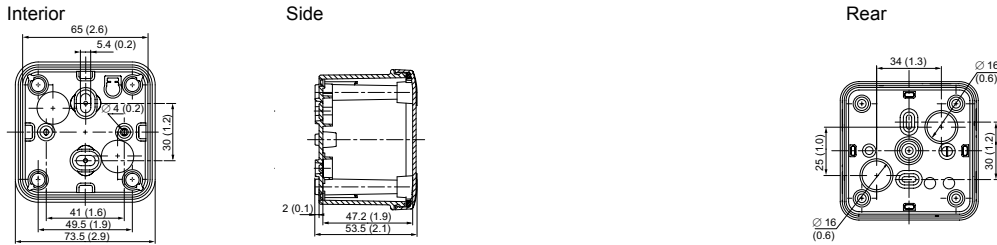
- IK07.
- RAL 7035 gray and RAL 1021 yellow, Off.
- Diameter of the button holes: 22.5 mm (0.9 in.).
- Flush-mounting cable entries for ISO cable gland (page 2/35).
- 4 entries with 20-mm diameter on the 1-button box.
- 6 entries with 20-mm diameter on the 2 and 3-button boxes.

### Practical

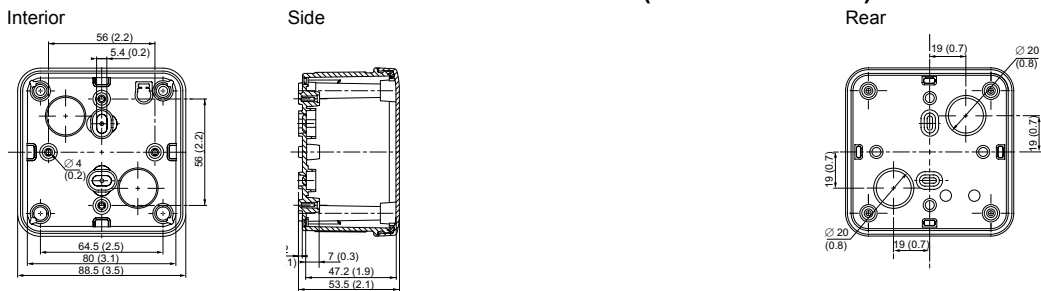
- Ready-to-use boxes.

2

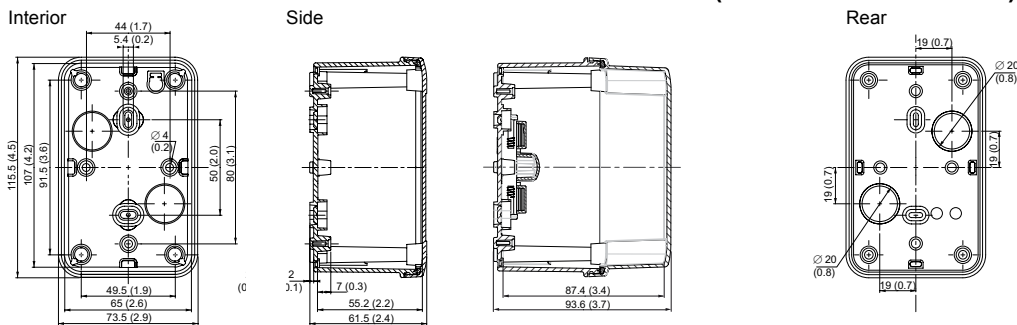
**Box with external dimensions of 74 x 74 x 54 mm (2.9 x 2.9 x 2.1 in.) NSYTB...775**



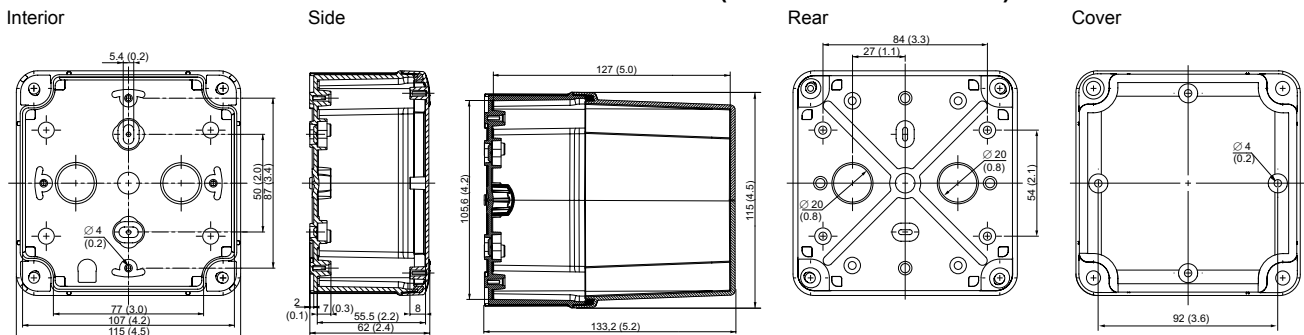
**Box with external dimensions of 89 x 89 x 54 mm (3.5 x 3.5 x 2.1 in.) NSYTB...885**



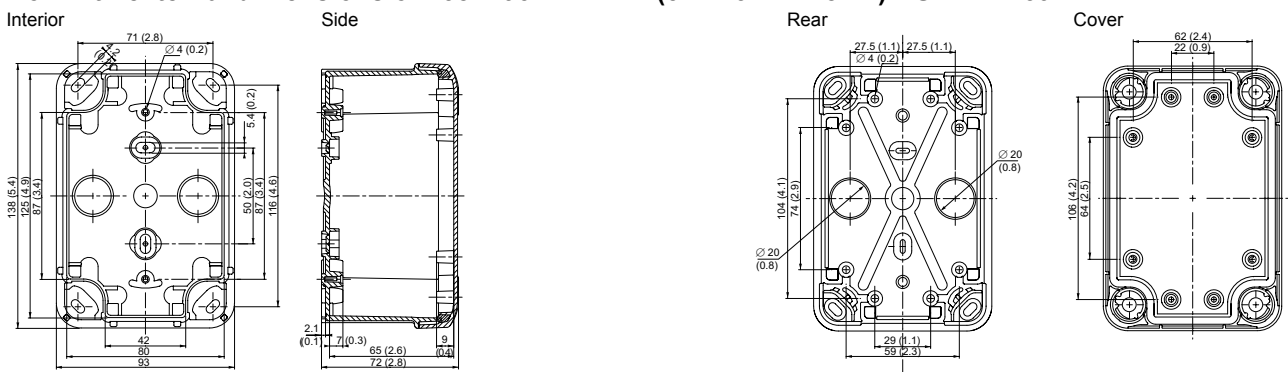
**Box with external dimensions of 116 x 74 x 62 or 94 mm (4.6 x 2.9 x 2.4 or 3.7 in.) NSYTB...1176 or NSYTB...1179**



**Box with external dimensions of 116 x 116 x 62 or 133 mm (4.6 x 4.6 x 2.4 or 5.2 in.) NSYTB...11116 or NSYTB...11113**



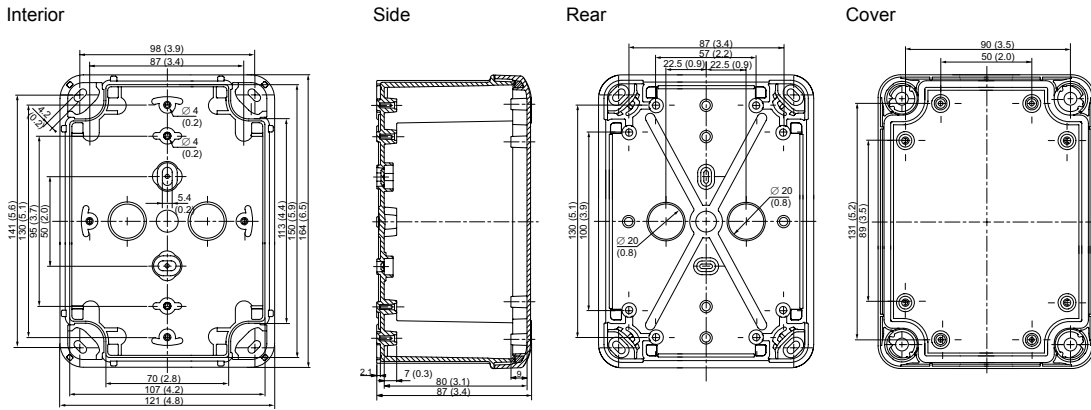
**Box with external dimensions of 138 x 93 x 72 mm (5.4 x 3.7 x 2.8 in.) NSYTB...1397**



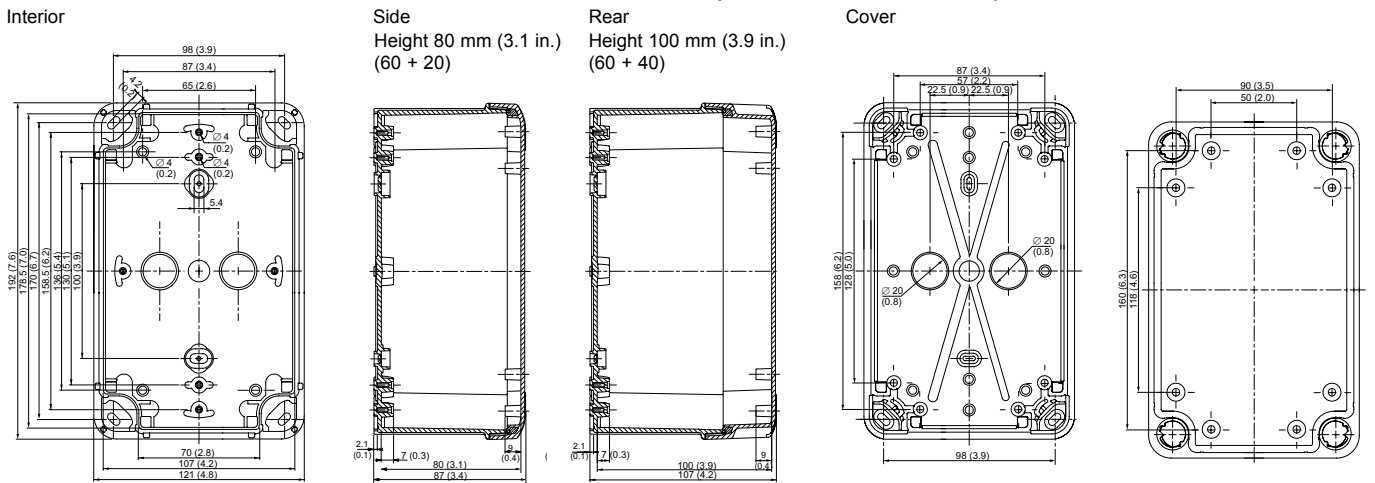
# Thermoplastic industrial boxes

## Dimensions

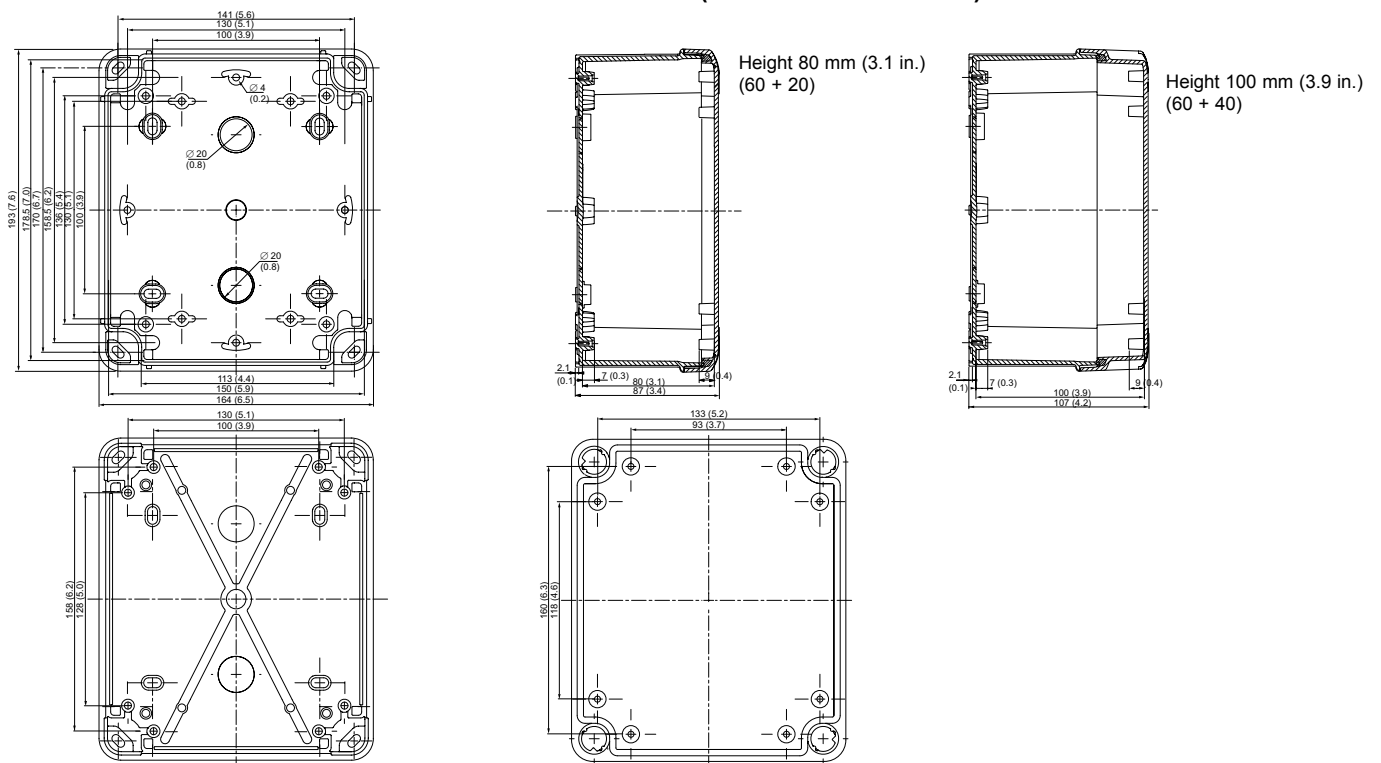
**Box with external dimensions of 164 x 121 x 87 mm (6.5 x 4.8 x 3.4 in.) NSYTB...16128**



**Box with external dimensions of 192 x 121 x 87 or 105 mm (7.6 x 4.8 x 3.4 or 4.1 in.) NSYTB...19128 or NSYTB...191210**



**Box with external dimensions of 192 x 164 x 87 or 105 mm (7.6 x 6.5 x 3.4 or 4.1 in.) NSYTB...19168 or NSYTB...191610**

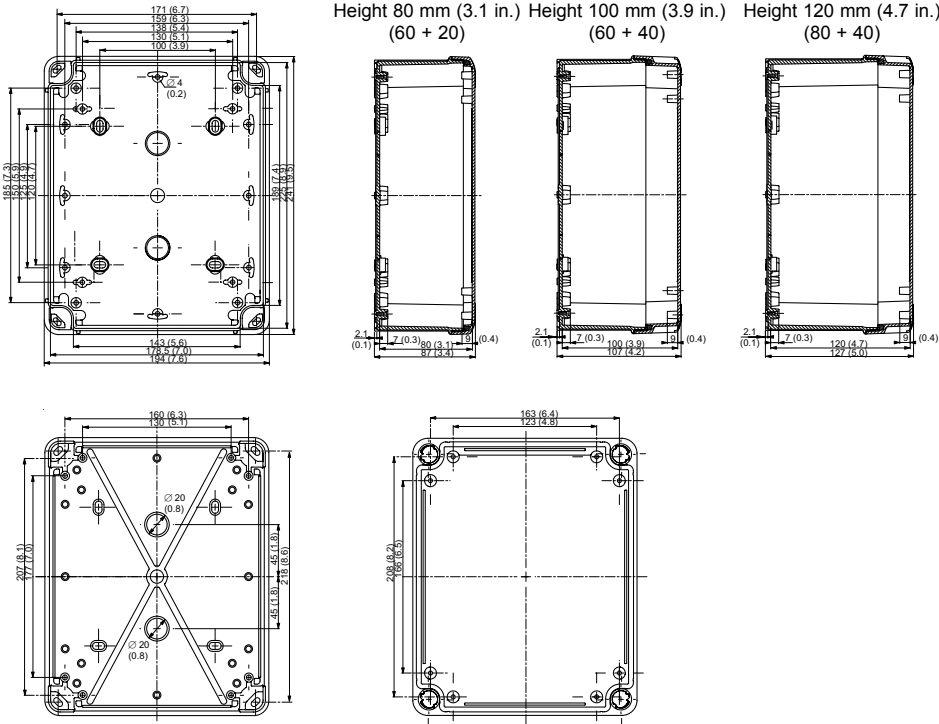


# Thermoplastic industrial boxes

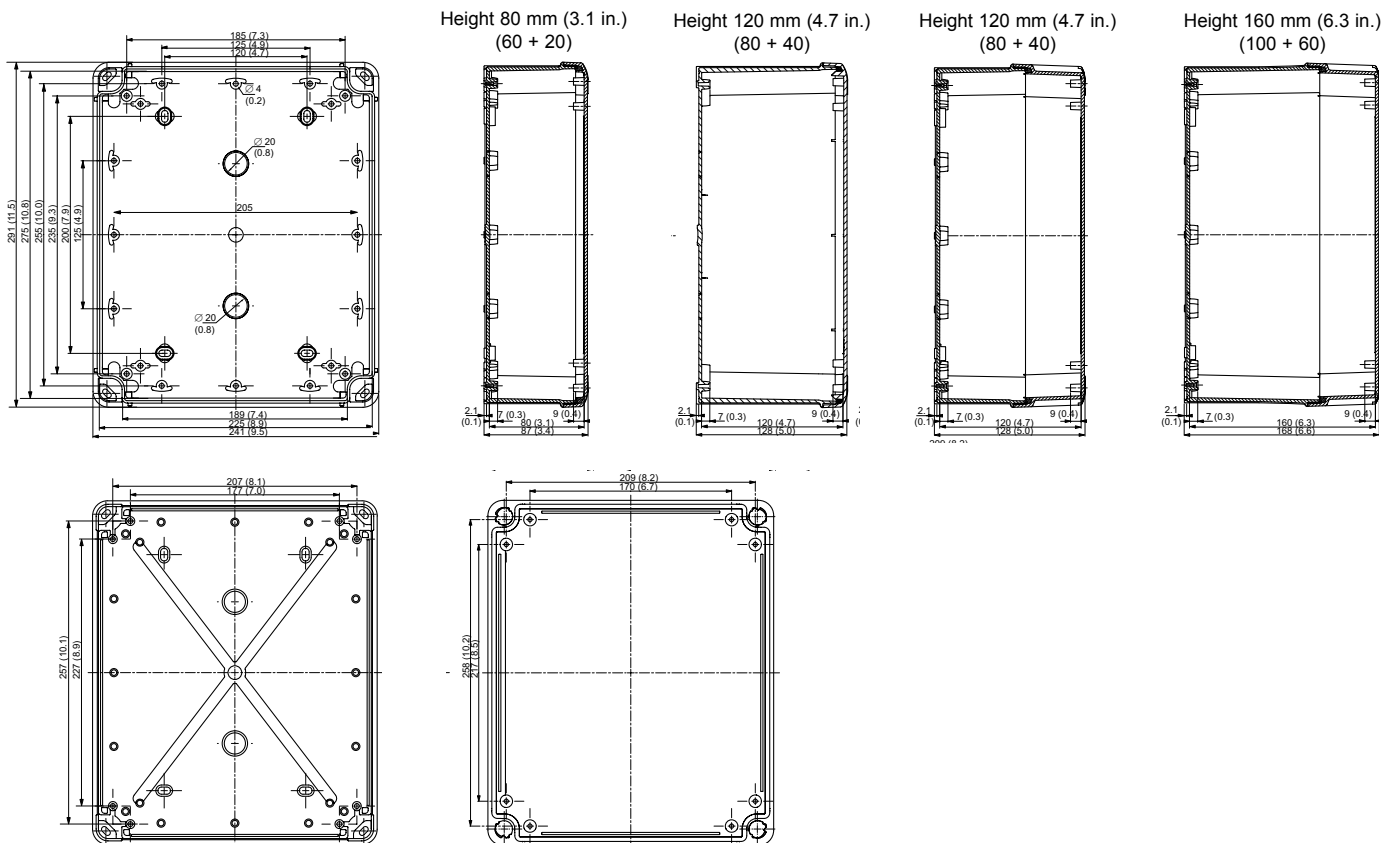
## Dimensions

2

**Box with external dimensions of 241 x 194 x 87, 107 or 127 mm (9.5 x 7.6 x 3.4, 4.2 or 5.0 in.)**  
**NSYTB...24198, NSYTB...241910 or NSYTB...241912**



**Box with external dimensions of 291 x 241 x 88, 128 or 168 mm (11.5 x 9.5 x 3.5, 5.0 or 6.6 in.)**  
**NSYTB...29248, NSYTB...292412 or NSYTB...292416**

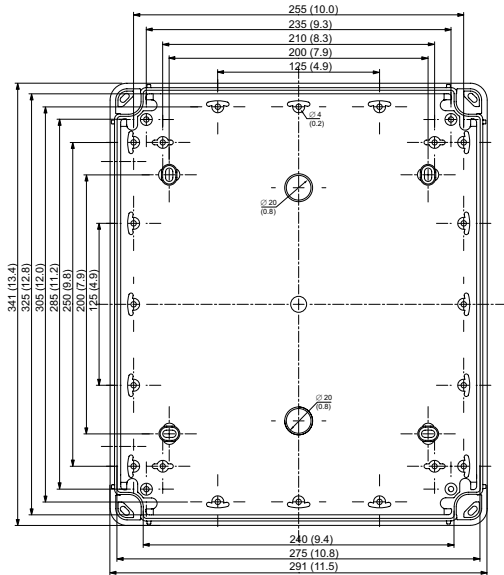


# Thermoplastic industrial boxes

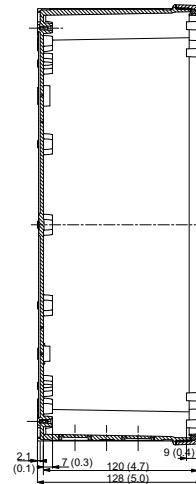
## Dimensions

Box with external dimensions of 341 x 291 x 128 or 168 mm (13.4 x 11.5 x 5.0 or 6.6 in.) NSYTB...342912 or NSYTB...342916

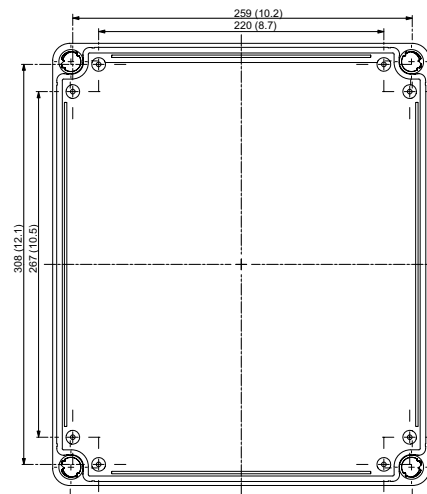
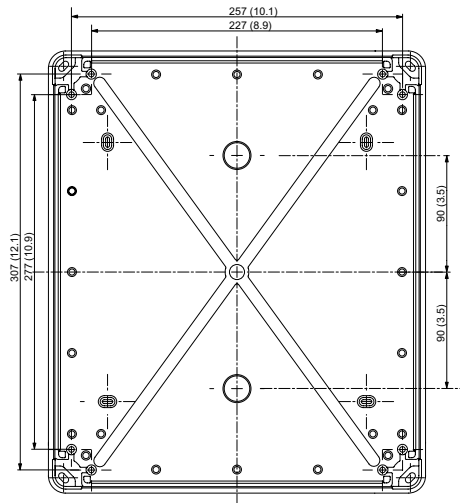
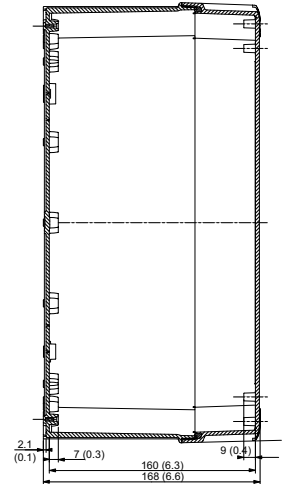
2



Height 120 mm (4.7 in.)  
(80 + 40)



Height 160 mm (6.3 in.)  
(100 + 60)





# Thermoplastic industrial boxes

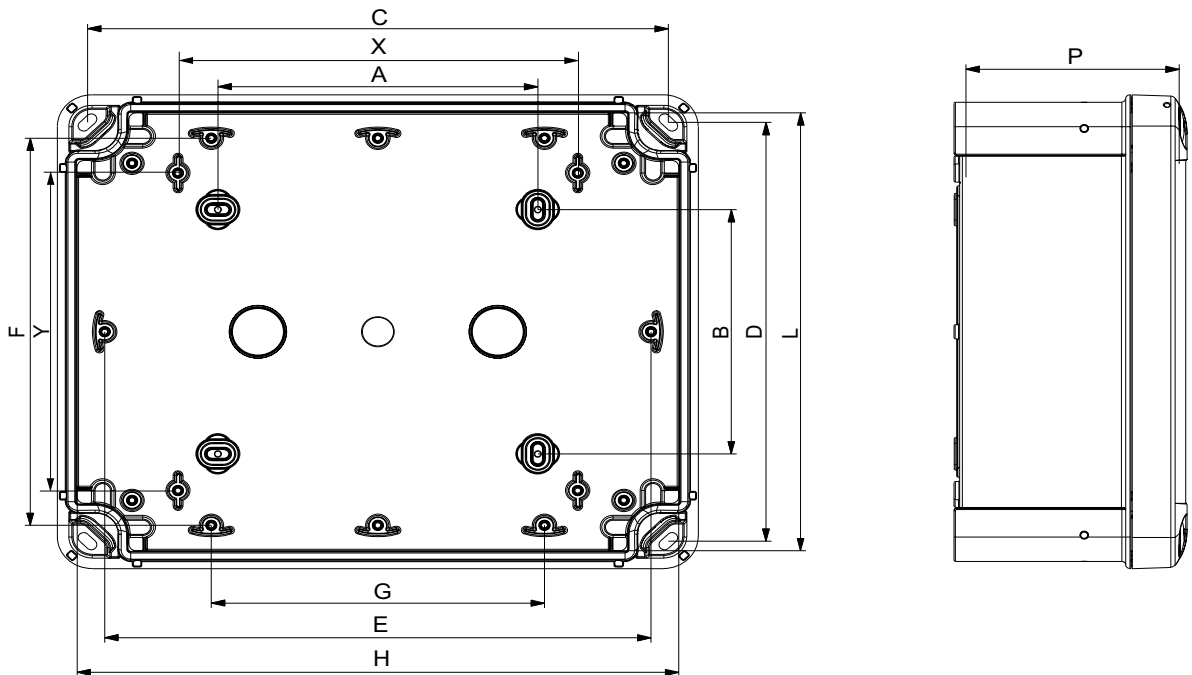
## Dimension summary

2

**Box with internal dimensions of**  
**125 × 80 × 65 mm to 325 × 275 × 160 mm (4.9 × 3.1 × 2.6 in to 12.8 × 10.8 × 6.3 in.)**

Internal dimensions: mm (in.)			Mounting of the box: mm (in.) (marking on the outside)				Mounting of accessories: mm (in.) (marking on the inside)				Box catalog number base with and without transparent cover (1)		
H	L	P	A	B	C	D	E	F	G	X	Y		
65 (2.6)	65 (2.6)	47 (1.9)	30 (1.2)	-	-	-	-	41 (1.6)	-	-	-	NSYTBS775	NSYTBP775
80 (3.1)	80 (3.1)	47 (1.9)	30 (1.2)	-	-	-	56 (2.2)	56 (2.2)	-	-	-	NSYTBS885	NSYTBP885
105 (4.1)	65 (2.6)	55 (2.2)	50 (2.0)	-	-	-	80 (3.1)	44 (1.7)	-	-	-	NSYTBS1176	NSYTBP1176
105 (4.1)	65 (2.6)	85 (3.3)	50 (2.0)	-	-	-	80 (3.1)	44 (1.7)	-	-	-	NSYTBS1179H	-
105 (4.1)	105 (4.1)	55 (2.2)	50 (2.0)	-	-	-	87 (3.4)	87 (3.4)	-	-	-	NSYTBS11116	NSYTBP11116
105 (4.1)	105 (4.1)	125 (4.9)	50 (2.0)	-	-	-	87 (3.4)	87 (3.4)	-	-	-	NSYTBS111113H	-
125 (4.9)	80 (3.1)	65 (2.6)	50 (2.0)	-	116 (4.6)	71 (2.8)	87 (3.4)	-	-	-	-	NSYTBS1397	NSYTBP1397
150 (5.9)	105 (4.1)	80 (3.1)	50 (2.0)	-	141 (5.6)	98 (3.9)	130 (5.1)	87 (3.4)	-	95 (3.7)	-	NSYTBS16128	NSYTBP16128
175 (6.9)	105 (4.1)	80 (3.1)	100 (3.9)	-	170 (6.7)	98 (3.9)	158.5 (6.2)	87 (3.4)	-	136 (5.4)	-	NSYTBS19128	NSYTBP19128
175 (6.9)	105 (4.1)	100 (3.9)	100 (3.9)	-	170 (6.7)	98 (3.9)	158.5 (6.2)	87 (3.4)	-	136 (5.4)	-	NSYTBS191210H	NSYTBP191210H
175 (6.9)	150 (5.9)	80 (3.1)	100 (3.9)	100 (3.9)	170 (6.7)	141 (5.6)	158.5 (6.2)	130 (5.1)	-	136 (5.4)	65 (2.6)	NSYTBS19168	NSYTBP19168
175 (6.9)	150 (5.9)	100 (3.9)	100 (3.9)	100 (3.9)	170 (6.7)	141 (5.6)	158.5 (6.2)	130 (5.1)	-	136 (5.4)	65 (2.6)	NSYTBS191610H	NSYTBP191610H
225 (8.9)	175 (6.9)	80 (3.1)	120 (4.7)	100 (3.9)	218 (8.6)	171.5 (6.8)	205 (8.1)	158.5 (6.2)	125 (4.9)	150 (5.9)	130 (5.1)	NSYTBS24198	NSYTBP24198
225 (8.9)	175 (6.9)	100 (3.9)	120 (4.7)	100 (3.9)	218 (8.6)	171.5 (6.8)	205 (8.1)	158.5 (6.2)	125 (4.9)	150 (5.9)	130 (5.1)	NSYTBS241910H	NSYTBP241910H
225 (8.9)	175 (6.9)	100 (3.9)	120 (4.7)	100 (3.9)	218 (8.6)	171.5 (6.8)	205 (8.1)	158.5 (6.2)	125 (4.9)	150 (5.9)	130 (5.1)	NSYTBS241910	NSYTBP241910
225 (8.9)	175 (6.9)	120 (4.7)	120 (4.7)	100 (3.9)	218 (8.6)	171.5 (6.8)	205 (8.1)	158.5 (6.2)	125 (4.9)	150 (5.9)	130 (5.1)	NSYTBS241912H	NSYTBP241912H
275 (10.8)	225 (8.9)	80 (3.1)	200 (7.9)	120 (4.7)	268.5 (10.6)	218.5 (8.6)	255 (10.0)	205 (8.1)	125 (4.9)	221 (8.7)	161 (6.3)	NSYTBS29248	NSYTBP29248
275 (10.8)	225 (8.9)	120 (4.7)	200 (7.9)	120 (4.7)	268.5 (10.6)	218.5 (8.6)	255 (10.0)	205 (8.1)	125 (4.9)	221 (8.7)	161 (6.3)	NSYTBS292412H	NSYTBP292412H
275 (10.8)	225 (8.9)	120 (4.7)	200 (7.9)	120 (4.7)	268.5 (10.6)	218.5 (8.6)	255 (10.0)	205 (8.1)	125 (4.9)	221 (8.7)	161 (6.3)	NSYTBS292412	NSYTBP292412
275 (10.8)	225 (8.9)	160 (6.3)	200 (7.9)	120 (4.7)	268.5 (10.6)	218.5 (8.6)	255 (10.0)	205 (8.1)	125 (4.9)	221 (8.7)	161 (6.3)	NSYTBS292416H	NSYTBP292416H
325 (12.8)	275 (10.8)	120 (4.7)	200 (7.9)	200 (7.9)	319 (12.6)	269 (10.6)	305 (12.0)	255 (10.0)	125 (4.9)	250 (9.8)	210 (8.3)	NSYTBS342912	NSYTBP342912
325 (12.8)	275 (10.8)	160 (6.3)	200 (7.9)	200 (7.9)	319 (12.6)	269 (10.6)	305 (12.0)	255 (10.0)	125 (4.9)	250 (9.8)	210 (8.3)	NSYTBS342916H	NSYTBP342916H

(1) Identical features for the boxes with transparent covers. Add a T at the end of the catalog number. H: Height L: Width P: Depth.



# Thermoplastic industrial boxes

## Dimension summary

### Universal boxes with IP66 protection



Page 2/24

Overall external dimensions: mm (in.)			Overall internal dimensions: mm (in.)			Body: mm (in.)	Cover: mm (in.)	Material			
Height	Width	Depth	Height	Width	Depth			ABS IP66 IK07		PC-UL IP66 IK08	
								Opaque cover	Transparent cover	Opaque cover	Transparent cover
74 (2.9)	74 (2.9)	54 (2.1)	65 (2.6)	65 (2.6)	47 (1.9)	37 (1.5)	10 (0.4)	NSYTBS775	-	NSYTBP775	-
89 (3.5)	89 (3.5)	54 (2.1)	80 (3.1)	80 (3.1)	47 (1.9)	37 (1.5)	10 (0.4)	NSYTBS885	-	NSYTBP885	-
116 (4.6)	74 (2.9)	62 (2.4)	105 (4.1)	65 (2.6)	55 (2.2)	45 (1.8)	10 (0.4)	NSYTBS1176	-	NSYTBP1176	-
116 (4.6)	74 (2.9)	94 (3.7)	105 (4.1)	65 (2.6)	85 (3.3)	45 (1.8)	40 (1.6)	NSYTBS1179H	-	-	-
116 (4.6)	116 (4.6)	62 (2.4)	105 (4.1)	105 (4.1)	55 (2.2)	45 (1.8)	10 (0.4)	NSYTBS11116	-	NSYTBP11116	-
116 (4.6)	116 (4.6)	133 (5.2)	105 (4.1)	105 (4.1)	125 (4.9)	45 (1.8)	80 (3.1)	NSYTBS111113H	-	-	-
138 (5.4)	93 (3.7)	72 (2.8)	125 (4.9)	80 (3.1)	65 (2.6)	45 (1.8)	20 (0.8)	NSYTBS1397	NSYTBS1397T	NSYTBP1397	NSYTBP1397T
164 (6.5)	121 (4.8)	87 (3.4)	150 (5.9)	105 (4.1)	80 (3.1)	60 (2.4)	20 (0.8)	NSYTBS16128	NSYTBS16128T	NSYTBP16128	NSYTBP16128T
192 (7.6)	121 (4.8)	87 (3.4)	175 (6.9)	105 (4.1)	80 (3.1)	60 (2.4)	20 (0.8)	NSYTBS19128	NSYTBS19128T	NSYTBP19128	NSYTBP19128T
192 (7.6)	121 (4.8)	105 (4.1)	175 (6.9)	105 (4.1)	100 (3.9)	60 (2.4)	40 (1.6)	NSYTBS191210H	NSYTBS191210HT	NSYTBP191210H	NSYTBP191210HT
192 (7.6)	164 (6.5)	87 (3.4)	175 (6.9)	150 (5.9)	80 (3.1)	60 (2.4)	20 (0.8)	NSYTBS19168	NSYTBS19168T	NSYTBP19168	NSYTBP19168T
192 (7.6)	164 (6.5)	105 (4.1)	175 (6.9)	150 (5.9)	100 (3.9)	60 (2.4)	40 (1.6)	NSYTBS191610H	NSYTBS191610HT	NSYTBP191610H	NSYTBP191610HT
241 (9.5)	194 (7.6)	87 (3.4)	225 (8.9)	175 (6.9)	80 (3.1)	60 (2.4)	20 (0.8)	NSYTBS24198	NSYTBS24198T	NSYTBP24198	NSYTBP24198T
241 (9.5)	194 (7.6)	107 (4.2)	225 (8.9)	175 (6.9)	100 (3.9)	80 (3.1)	20 (0.8)	NSYTBS241910	NSYTBS241910T	NSYTBP241910	NSYTBP241910T
241 (9.5)	194 (7.6)	107 (4.2)	225 (8.9)	175 (6.9)	100 (3.9)	60 (2.4)	40 (1.6)	NSYTBS241910H	NSYTBS241910HT	NSYTBP241910H	NSYTBP241910HT
241 (9.5)	194 (7.6)	127 (5.0)	225 (8.9)	175 (6.9)	120 (4.7)	80 (3.1)	40 (1.6)	NSYTBS241912H	NSYTBS241912HT	NSYTBP241912H	NSYTBP241912HT
291 (11.5)	241 (9.5)	88 (3.5)	275 (10.8)	225 (8.9)	80 (3.1)	60 (2.4)	20 (0.8)	NSYTBS29248	NSYTBS29248T	NSYTBP29248	NSYTBP29248T
291 (11.5)	241 (9.5)	128 (5.0)	275 (10.8)	225 (8.9)	120 (4.7)	100 (3.9)	20 (0.8)	NSYTBS292412	NSYTBS292412T	NSYTBP292412	NSYTBP292412T
291 (11.5)	241 (9.5)	128 (5.0)	275 (10.8)	225 (8.9)	120 (4.7)	60 (2.4)	60 (2.4)	NSYTBS292412H	NSYTBS292412HT	NSYTBP292412H	NSYTBP292412HT
291 (11.5)	241 (9.5)	168 (6.6)	275 (10.8)	225 (8.9)	160 (6.3)	100 (3.9)	60 (2.4)	NSYTBS292416H	NSYTBS292416HT	NSYTBP292416H	NSYTBP292416HT
341 (13.4)	291 (11.5)	128 (5.0)	325 (12.8)	275 (10.8)	120 (4.7)	100 (3.9)	20 (0.8)	NSYTBS342912	NSYTBS342912T	NSYTBP342912	NSYTBP342912T
341 (13.4)	291 (11.5)	168 (6.6)	325 (12.8)	275 (10.8)	160 (6.3)	100 (3.9)	60 (2.4)	NSYTBS342916H	NSYTBS342916HT	NSYTBP342916H	NSYTBP342916HT

### ABS button boxes, not equipped



Page 2/25

External dimensions: mm (in.)			No. of holes	Cover	Catalog no.
Height	Width	Depth			
74 (2.9)	74 (2.9)	54 (2.1)	1	Gray	NSYTBS775C1
74 (2.9)	74 (2.9)	54 (2.1)	1	Yellow	NSYTBS775C1Y
116 (4.6)	74 (2.9)	62 (2.4)	2	Gray	NSYTBS1176C2
116 (4.6)	74 (2.9)	62 (2.4)	3	Gray	NSYTBS1176C3

### Boxes equipped with ABS IP54 buttons



Page 2/25

External dimensions: mm (in.)				
Height	Width	Depth	Buttons	Catalog number
74 (2.9)	74 (2.9)	83 (3.3)	Emergency Off	NSYTBS775B1Y
116 (4.6)	74 (2.9)	75 (3.0)	Start/Stop	NSYTBS1176B2
116 (4.6)	74 (2.9)	75 (3.0)	Up/Down/Stop	NSYTBS1176B3



Page 2/37    Page 2/36    Page 2/39    Page 2/39    Page 2/41

Overall external dimensions: mm (in.)			Overall internal dimensions: mm (in.)			Set of 2 hinges	Set of 4 mounting lugs	Galvanized-steel plate	Insulating plate	Terminal-block support bar
Height	Width	Depth	Height	Width	Depth					
74 (2.9)	74 (2.9)	54 (2.1)	65 (2.6)	65 (2.6)	47 (1.9)	-	-	-	-	-
89 (3.5)	89 (3.5)	54 (2.1)	80 (3.1)	80 (3.1)	47 (1.9)	-	-	-	-	-
116 (4.6)	74 (2.9)	62 (2.4)	105 (4.1)	65 (2.6)	55 (2.2)	-	-	-	-	-
116 (4.6)	116 (4.6)	62 (2.4)	105 (4.1)	105 (4.1)	55 (2.2)	-	NSYAEFTB	-	-	-
138 (5.4)	93 (3.7)	72 (2.8)	125 (4.9)	80 (3.1)	65 (2.6)	NSYAEDH20TB	NSYAEFTB	-	-	-
164 (6.5)	121 (4.8)	87 (3.4)	150 (5.9)	105 (4.1)	80 (3.1)	NSYAEDH20TB	NSYAEFTB	-	-	-
192 (7.6)	121 (4.8)	87 (3.4)	175 (6.9)	105 (4.1)	80 (3.1)	NSYAEDH20TB	NSYAEFTB	-	-	IMT34000
192 (7.6)	121 (4.8)	105 (4.1)	175 (6.9)	105 (4.1)	100 (3.9)	NSYAEDH40TB	NSYAEFTB	-	-	IMT34000
192 (7.6)	164 (6.5)	87 (3.4)	175 (6.9)	150 (5.9)	80 (3.1)	NSYAEDH20TB	NSYAEFTB	NSYAMP1916TB	NSYAMPA1916TB	IMT34000
192 (7.6)	164 (6.5)	105 (4.1)	175 (6.9)	150 (5.9)	100 (3.9)	NSYAEDH40TB	NSYAEFTB	NSYAMP1916TB	NSYAMPA1916TB	IMT34000
241 (9.5)	194 (7.6)	87 (3.4)	225 (8.9)	175 (6.9)	80 (3.1)	NSYAEDH20TB	NSYAEFTB	NSYAMP2419TB	NSYAMPA2419TB	IMT34000 or IMT34001
241 (9.5)	194 (7.6)	107 (4.2)	225 (8.9)	175 (6.9)	100 (3.9)	(1) NSYAEDH20TB or NSYAEDH40TB	NSYAEFTB	NSYAMP2419TB	NSYAMPA2419TB	IMT34000 or IMT34001
241 (9.5)	194 (7.6)	127 (5.0)	225 (8.9)	175 (6.9)	120 (4.7)	NSYAEDH40TB	NSYAEFTB	NSYAMP2419TB	NSYAMPA2419TB	IMT34000 or IMT34001
291 (11.5)	241 (9.5)	88 (3.5)	275 (10.8)	225 (8.9)	80 (3.1)	NSYAEDH20TB	NSYAEFTB	NSYAMP2924TB	NSYAMPA2924TB	IMT34001 or IMT34002
291 (11.5)	241 (9.5)	128 (5.0)	275 (10.8)	225 (8.9)	120 (4.7)	-	NSYAEFTB	NSYAMP2924TB	NSYAMPA2924TB	IMT34001 or IMT34002
291 (11.5)	241 (9.5)	128 (5.0)	275 (10.8)	225 (8.9)	120 (4.7)	(1) NSYAEDH20TB or -	NSYAEFTB	NSYAMP2924TB	NSYAMPA2924TB	IMT34001 or IMT34002
291 (11.5)	241 (9.5)	168 (6.6)	275 (10.8)	225 (8.9)	160 (6.3)	-	NSYAEFTB	NSYAMP2924TB	NSYAMPA2924TB	IMT34001 or IMT34002
341 (13.4)	291 (11.5)	128 (5.0)	325 (12.8)	275 (10.8)	120 (4.7)	NSYAEDH20TB	NSYAEFTB	NSYAMP3429TB	NSYAMPA3429TB	IMT34002
341 (13.4)	291 (11.5)	168 (6.6)	325 (12.8)	275 (10.8)	160 (6.3)	-	NSYAEFTB	NSYAMP3429TB	NSYAMPA3429TB	IMT34002

(1) Several cover depths for the same external dimensions.

### Anti-condensation valve and coupling kit



Pages 2/42 and 2/33

IP66 ventilation and coupling accessories	Catalog no.
Valve, 16 liters/h (4.2 gal/h), Ø 12 (0.5 in.)	NSYCAG12LPH1
Valve, 120 liters/h (31.7 gal/h), Ø 12 (0.5 in.)	NSYCAG12LPH2
Coupling kit, Ø 32 (1.3 in.)	13934

### Mounting hardware



Screw  
NSYAMFESTB  
Stand-offs or spacer

Page 2/40

Stand-offs and spacers	Catalog no.
Set of four 15-mm (0.6 in.) spacers	NSYAMFEP154TB
Set of four 20-mm (0.8 in.) spacers	NSYAMFEP204TB
Set of four 30-mm (1.2 in.) spacers	NSYAMFEP304TB
Set of four 15-mm (0.6 in.) self-tapping stand-offs	NSYAMFET154TB
Set of four 20-mm (0.8 in.) self-tapping stand-offs	NSYAMFET204TB
Set of four 30-mm (1.2 in.) self-tapping stand-offs	NSYAMFET304TB
Batch of 50 M4 screws for stand-offs and spacers	NSYAMFESTB

Screws for accessories	Catalog no.
Pack of 100 4-mm (0.2 in.) Pozidrive and slotted self-tapping screws	NSYAMFSTB

### Cable glands and quick entries



Page 2/35



Page 2/34

	M12	M16	M20	M25	M32	M40
IP68 cable glands (1)	ISM71501	ISM71502	ISM71503	ISM71504	ISM71505	ISM71506
IP67 quick entries (2)	IMT36179	IMT36180	IMT36181	IMT36182	IMT36183	IMT36184

(1) Other dimensions (see page 2/35).  
(2) Other dimensions (see page 2/34).

### Terminal blocks



Page 2/41

Terminal blocks	Catalog no.	Catalog no.	Catalog no.
4-hole terminal blocks	Black (live)	Blue (neutral)	Green (ground)
2 x 10 <sup>2</sup> + 2 x 16 <sup>2</sup>	IMT34003	IMT34005	IMT34007
3 x 16 <sup>2</sup> + 1 x 25 <sup>2</sup>	IMT34004	IMT34006	IMT34008

# Accessories

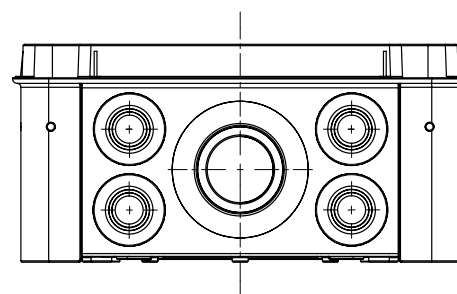
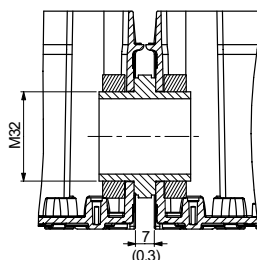
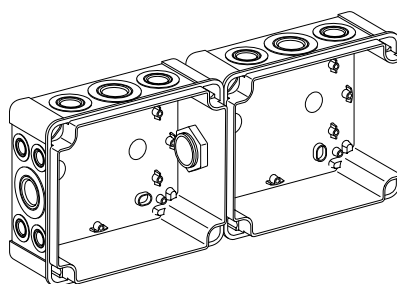
## Coupling accessories



### Coupling kit

- The coupling kit allows you to join several boxes with dimensions from 138 × 93 mm (5.4 × 3.7 in.), while maintaining IP66 protection.
- The kit is installed by drilling a hole with  $\varnothing$  32 mm (1.3 in.) in the boxes to be joined.
- The kit consists of 2 linking parts, nuts and seals.

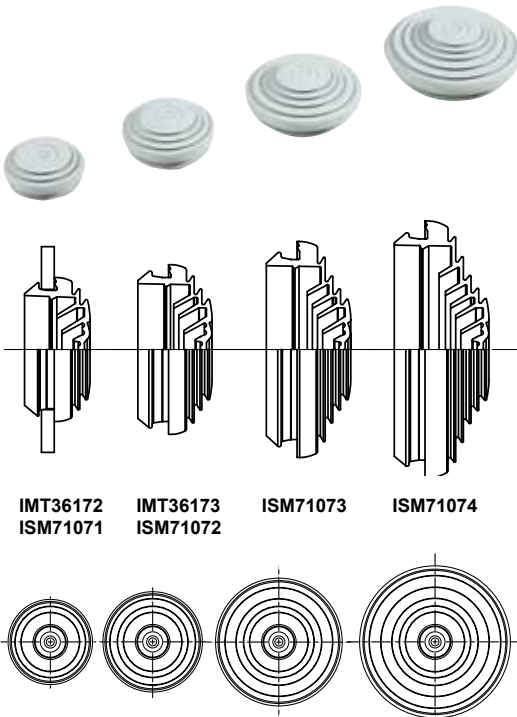
Description	Quantity	Catalog number
Coupling kit	1	13934



# Accessories

## Cable-entry accessories

2



### IP55 cable entry membranes for the Thalassa and Spacial offers

- Membrane entries with multiple membranes.
- IP55 protection.
- RAL 7035.
- Concentric cutting. A simple screwdriver is enough for installation. Enables quick connection with a choice of several cable diameters in the same membrane entry.
- Material: SBS.
- Quantity: 10 pieces.
- Please note: The degree of protection becomes IP55.
- Suitable for walls from 2 to 3.2 mm (0.08 to 0.1 in.).

Ø mm (in.)		Qty.	Catalog number and colors	
Drill hole	Cable / conduit		RAL 9010 white	RAL 7035 light gray
23 (0.9)	4-20 (0.2-0.8)	10	IMT36172	ISM71071
29 (1.1)	4-25 (0.2-1.0)	10	IMT36173	ISM71072
36 (1.4)	4-32 (0.2-1.3)	10	-	ISM71073
44 (1.7)	4-40 (0.2-1.6)	10	-	ISM71074

### Installation of IP55 cable entries

- Insertion of rigid cables:
  - Strip at least 100 mm (3.9 in.).
  - Push the wires through the membrane.
- Insertion of flexible cables:
  - Partially pierce and loosen the membrane with a 4 to 5.5-mm screwdriver.
  - Pass the cable through the membrane.
- Insertion of conduits:
  - Remove the necessary knockout size: 16, 20, 25, 32 or 40 mm (0.6, 0.8, 1.0, 1.3 or 1.6 in.).
  - Push the conduit through the membrane.



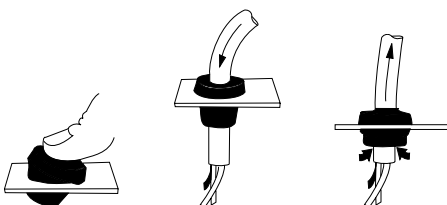
### IP67 quick cable entries

- IP67 protection.
- Material: EPDM plastic.
- Suitable for walls from 1 to 4 mm (0.5 to 2 mm) for catalog no. IMT36179.
- Quick installation with no tools.

ISO	Ø of drill hole: mm (in.)	Cable Ø: mm (in.)	Qty.	Catalog number
M12	12.5 (0.5)	3-5 (0.1-0.2)	50	IMT36179
M16	16 (0.6)	5-7 (0.2-0.3)	50	IMT36180
M20	20.3 (0.8)	7-10 (0.3-0.4)	50	IMT36181
M25	25.3 (1.0)	10-14 (0.4-0.6)	50	IMT36182
M32	32.4 (1.3)	14-20 (0.6-0.8)	50	IMT36183
M40	40.7 (1.6)	20-26 (0.8-1.0)	25	IMT36184
M50	50.7 (2.0)	26-35 (1.0-1.4)	25	IMT36185

### Installation of IP67 entries

- Push the cable entry into the hole. The conical end must be inserted into the box.
- Prepare and loosen the cable entry with a screwdriver. Pass the cable through the cable entry.
- Pull the cable back slightly to fix it in place. The installation is complete.



# Accessories

## Cable-entry accessories

### Cable gland, disc and plug selection table

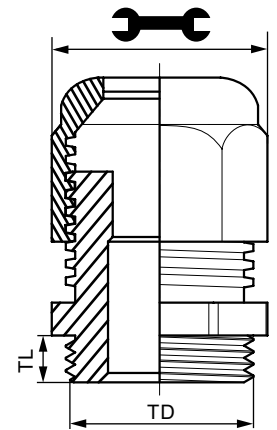
Ø	1-cable cable gland			Multi-cable disc		Gasket	Blanking plug	Transport plug
	Catalog no.	Ø min/max: mm (in.)	drill Ø: mm (in.) (2)	Catalog no.	Number of Ø: mm (in.)			
M12	ISM71501	3/6.5 (0.1/0.3)	12.2 (0.5) [0 + 0.2]	-	-	IMT36151	IMT36161	-
M16	ISM71502	4/8 (0.2/0.3)	16.2 (0.6) [0 + 0.2]	IMT36157	2 × Ø 4 (0.2)	IMT36152	IMT36162	IMT36167
M20	ISM71503	6/12 (0.2/0.5)	20.2 (0.8) [0 + 0.2]	IMT36158	3 × Ø 4 (0.2)	IMT36153	IMT36163	IMT36168
M20 (1)	IMT36150	6/12 (0.2/0.5)	20.2 (0.8) [0 + 0.2]	IMT36158	3 × Ø 4 (0.2)	IMT36153	IMT36163	IMT36168
M25	ISM71504	11/17 (0.4/0.7)	25.2 (1.0) [0 + 0.2]	IMT36159	4 × Ø 5 (0.2)	IMT36154	IMT36164	IMT36169
M32	ISM71505	15/21 (0.6/0.8)	32.2 (1.3) [0 + 0.3]	IMT36160	6 × Ø 5 (0.2)	IMT36155	IMT36165	IMT36170
M40	ISM71506	19/28 (0.7/1.1)	40.5 (1.6) [0 + 0.3]	-	-	IMT36156	IMT36166	IMT36171

(1) Cable gland with 960 °C glow wire resistance.  
 (2) In brackets: tolerance (mm).



### ISO cable gland

Ø	Catalog number	TD	TL	⚙️	Thread
M12	ISM71501	12	6	15	1.5
M16	ISM71502	16	8	19	1.5
M20	ISM71503 - IMT36150	20	10	24	1.5
M25	ISM71504	25	8	29	1.5
M32	ISM71505	32	10	36	1.5
M40	ISM71506	40	10	46	1.5



- IP68 protection, 5 bars.
- According to standard IEC 62208.
- RAL 7035 gray.
- Material: PA6, neoprene gasket.
- Usage temperature: - 30 ... + 80 °C up to + 150 °C intermittently.
- The cable glands are supplied with nuts.
- A gasket between the cable gland and the thermoplastic box is not required to maintain the IP68 degree of protection. A gasket is available as an accessory to help ensure the seal for installation on steel enclosures.
- The cable gland (catalog no. **IMT36150**) is especially recommended for security circuits (glow wire resistance: 960 °C).
- Available in packs of 20 (M12 to M20), 10 (M25 and M32), 5 (M40).

### Cable-gland gasket

- Available in packs of 100 (M12 to M25), 50 (M32), 25 (M40).

### Multi-cable disc

- It is possible to pass several cables through a single cable gland using the multi-cable disc.

### Blanking plug

- Screws into the cable gland's place.
- Available in packs of 20 plugs (M12 to M15), 10 plugs (M32), 5 plugs (M40).

### Transport plug

- Blocks the cable gland during transport or during maintenance operations.
- Available in packs of 20 plugs (M16 to M25), 10 plugs (M32), 5 plugs (M40).



Multi-cable disc



Blanking plug



Transport plug

# Accessories

## Mounting accessories

2

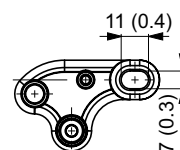
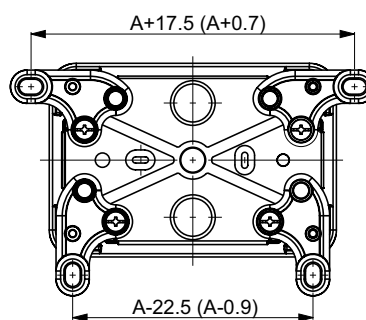
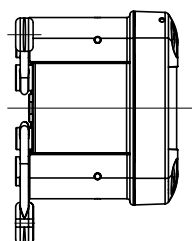
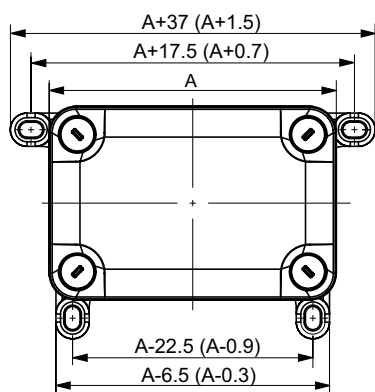


### Set of four mounting lugs

- The lugs help maintain IP66 protection.
- Plastic mounting lugs for installation on boxes with dimensions from 116 × 116 mm (4.6 × 4.6 in.).
- Option of vertical or horizontal installation.
- Kit consists of of 4 lugs + screws.
- Only one screw is needed to install each lug. Lugs can be installed on closed and equipped boxes.
- Loading capacity on the body: 30 kg/m<sup>2</sup>, on the cover: 10 kg/m<sup>2</sup>.
- For compatibility with boxes, see the Thalassa accessories quick selection table on page 2/32.

Description	Quantity	Catalog number
Set of 4 mounting lugs	1	NSYAEFTB

### Dimensions



# Accessories

## Cover accessories

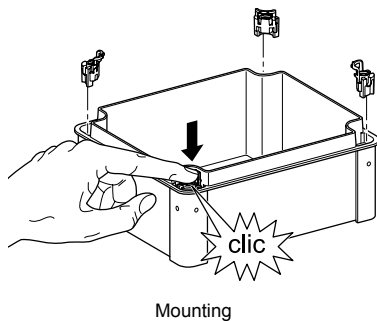


### Set of 2 hinges

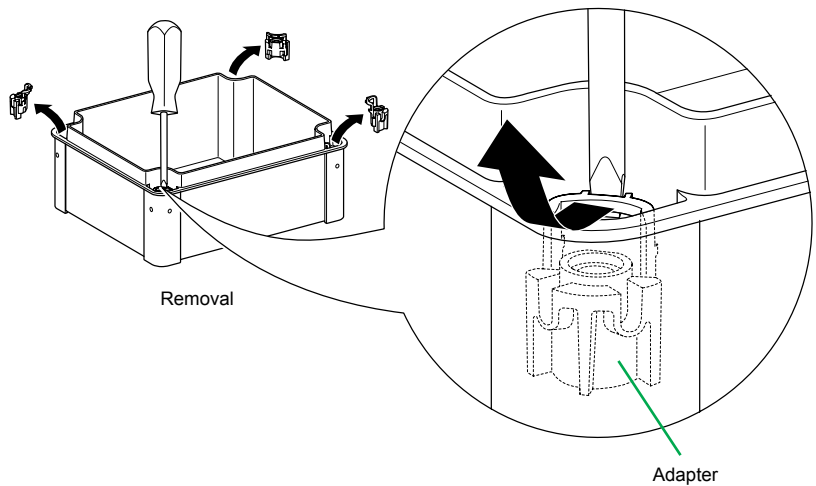
- The hinges maintain IP66 protection.
- They can be adapted to all covers with a height of 20 and 40 mm with dimensions from 138 × 93 mm (5.4 × 3.7 in.).
- They allow the lid to open fully to 200°.
- Maximum allowable load on the hinged cover: 10 kg/m<sup>2</sup>.
- The hinges come 2 per set and are delivered with the hardware and instructions required for installation.
- They do not require any machining and are easily installed even with the box already equipped.
- See compatibility with the boxes in the quick selection table on page 2/32.

Name	Qty.	Height of the lid: mm (in.)	
		20 (0.8)	40 (1.6)
Set of 2 hinges	1	NSYAEDH20TB	NSYAEDH40TB

### Use of cover adapter clips



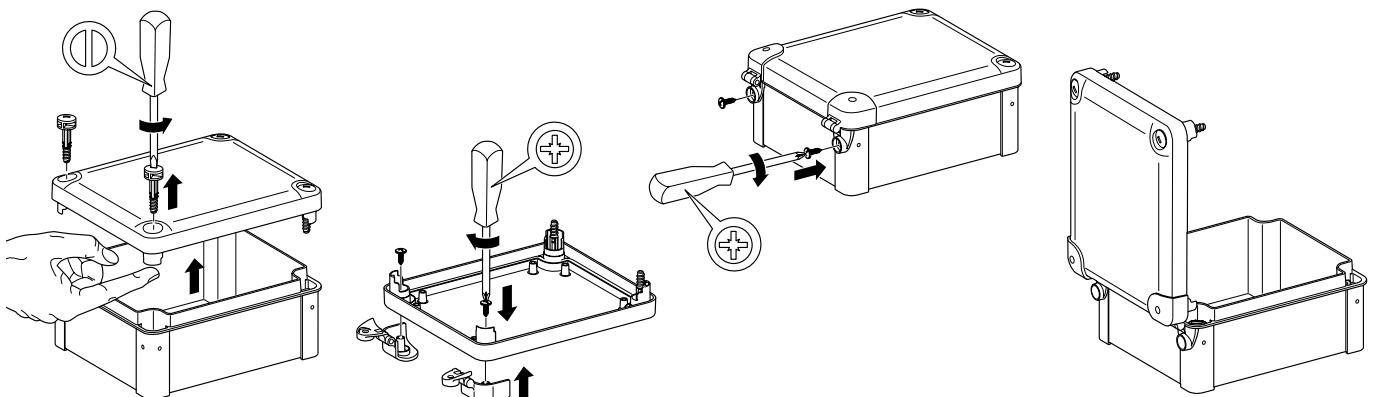
Mounting



Removal

Adapter

### Installation of the hinge

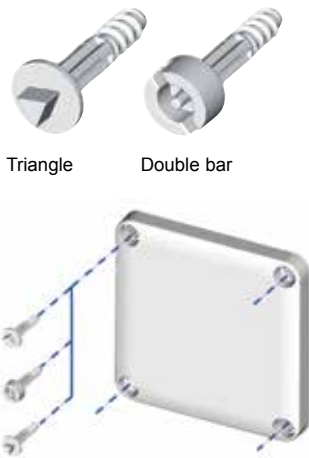




# Accessories

## Cover accessories

2



### Set of 4 shaped screws

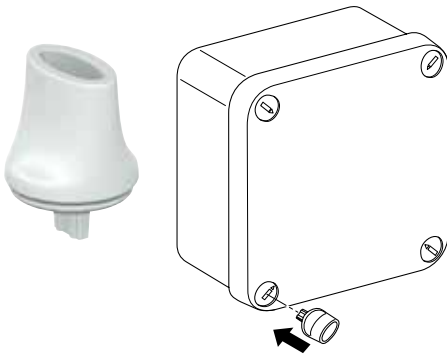
- The Thalassa boxes are delivered as standard with slotted-head screws for flat screwdrivers from 4 to 5.5 mm.
- With box sizes from 138 × 93 × 72 mm (5.4 × 3.7 × 2.8 in.), these screws can be replaced.
- After removing the standard screw, simply position the new screw by pressing on it.
- The adapter clips (intermediate parts for tightening the cover on the body of the box) are the same as those for the standard screws. They do not come with the shaped screws (see drawing on page 2/37).

### Smart

- A single key for opening the boxes as well as the other enclosures in your installation.

Description		Qty.	Height of the lid (mm)		
			20	40	60
Triangle	6.5 mm (0.3 in.)	1	NSYAEDST620TB (1)	-	-
	8 mm (0.3 in.)	1	NSYAEDST820TB	-	-
Double bar	3 mm (0.1 in.)	1	NSYAEDSB320TB	-	-
	5 mm (0.2 in.)	1	NSYAEDSB520TB	-	-
Spare standard plastic screw		1	NSYAEDS20TB	NSYAEDS40TB	NSYAEDS60TB

(1) CNOMO.



### Pack of 4 handles

- The handle (or thumbwheel) allows the screws to be handled without any tools. It is ideal for a box equipped with hinges.
- It snaps onto the head of the standard plastic screw.

Description	Quantity	Catalog number
Pack of 4 handles	1	NSYAEDKTB

# Accessories

## Installation accessories



Galvanized-steel plate.

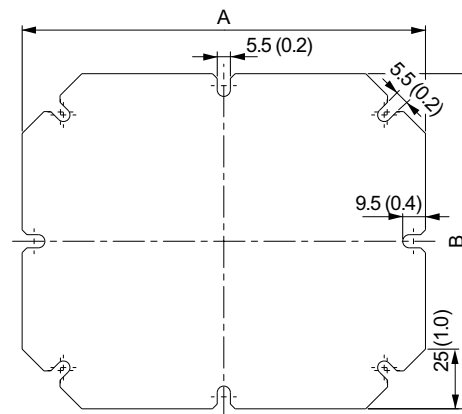


Insulating polyester plate reinforced with fiberglass, halogen-free: glow wire resistance 750 °C.

### Mounting plates

- Mounting plates made from galvanized-steel (thickness: 1.5 mm [0.1 in]) and an insulating material (polyester thickness: 2.5 mm [0.1 in]) to adapt to all applications. Plates supplied without screws.
- Mounted with  $\varnothing$  4-mm (0.2 in.) self-tapping screws, Pozidrive and slotted head, catalog no. **NSYAMFSTB**.
- To raise the plate, use stand-offs catalog no. **NSYAMFET154TB**, **NSYAMFET204TB**, **NSYAMFET304TB** and screw **NSYAMFESTB**.
- To stack several mounting plates, use spacers, catalog no. **NSYAMFEP154TB**, **NSYAMFEP204TB**, **NSYAMFEP304TB** and screw **NSYAMFESTB**.

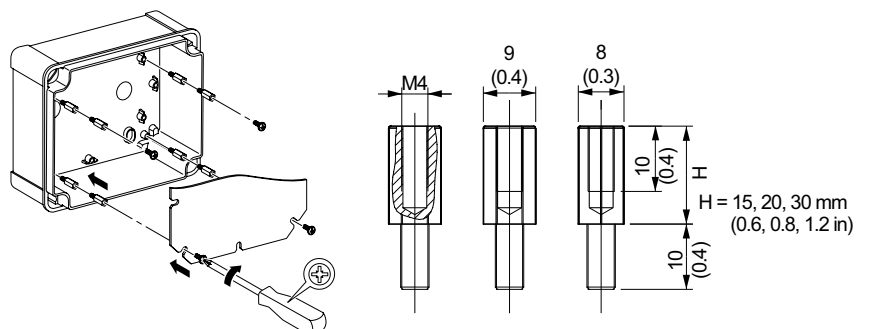
Box: mm (in.)		Mounting plate				Qty.
		Steel	Insulating	Dimensions: mm (in.)		
Height	Width			A	B	
192 (7.6)	164 (6.5)	<b>NSYAMP1916TB</b>	<b>NSYAMPA1916TB</b>	168.5 (6.6)	140 (5.5)	1
241 (9.5)	194 (7.6)	<b>NSYAMP2419TB</b>	<b>NSYAMPA2419TB</b>	215 (8.5)	168.5 (6.6)	1
291 (11.5)	241 (9.5)	<b>NSYAMP2924TB</b>	<b>NSYAMPA2924TB</b>	265 (10.4)	215 (8.5)	1
341 (13.4)	291 (11.5)	<b>NSYAMP3429TB</b>	<b>NSYAMPA3429TB</b>	315 (12.4)	265 (10.4)	1
Pack of 100 screws $\varnothing$ 4 × 10 mm ( $\varnothing$ 0.2 × 0.4 in.)		<b>NSYAMFSTB</b>	<b>NSYAMFSTB</b>	-	-	1



### Stand-offs and spacers

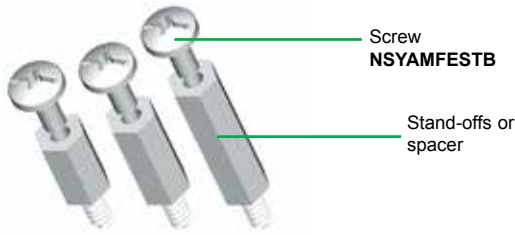
- Steel stand-offs consisting of a  $\varnothing$  4-mm (0.2 in.) self-tapping thread at one end for direct installation into the box rivets, and an M4 tapping on the other end for direct installation of a card with a spacer or an M4 screw, catalog no. **NSYAMFESTB**.
- Steel spacer for installation on the stand-offs. M4 thread and tapping.

Height: mm (in.)	Set of four M4 self-tapping stand-offs	Set of four M4 spacers	Qty.
15 (0.6)	<b>NSYAMFET154TB</b>	<b>NSYAMFEP154TB</b>	1
20 (0.8)	<b>NSYAMFET204TB</b>	<b>NSYAMFEP204TB</b>	1
30 (1.2)	<b>NSYAMFET304TB</b>	<b>NSYAMFEP304TB</b>	1



# Accessories

## Installation accessories



### Screw for stand-offs and spacers

- M4 × 10 mm screw for mounting cards on the spacers and stand-offs.
- Batch of 50 screws.

### Smart

- The plate is maintained at the right level.
- A single Ø 4-mm (0.2 in.) screw for mounting any element.

Description	Quantity	Catalog number
Batch of 50 ISO screws, Ø 4 × 100, for M4 spacer and stand-offs	1	<b>NSYAMFESTB</b>



Box with one  
15 × 5-mm  
(0.6 × 0.2 in.) rail

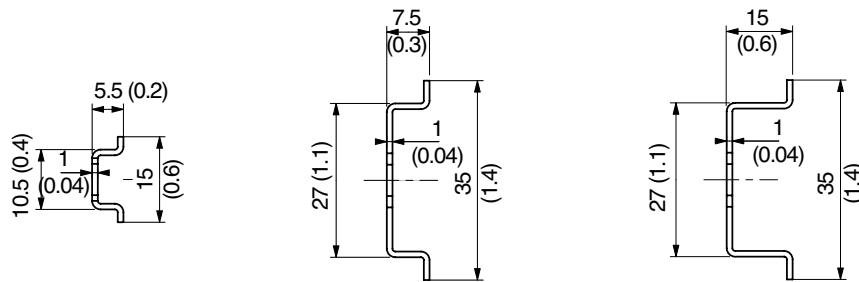
Box with two  
35 × 7.5-mm  
(1.4 × 0.3 in.) rails

### Rails

- Symmetric DIN rails:
  - 15 × 5 mm (0.6 × 0.2 in.)
  - 35 × 7.5 mm (1.4 × 0.3 in.)
  - 35 × 15 mm (1.4 × 0.6 in.)
- Supplied without screws (except for the 15 × 5 mm rails).
- Rails are mounted with Ø 4-mm (0.2 in.) self-tapping screws, (not included), Pozidrive and slotted head, catalog no. **NSYAMFSTB**.

### Smart

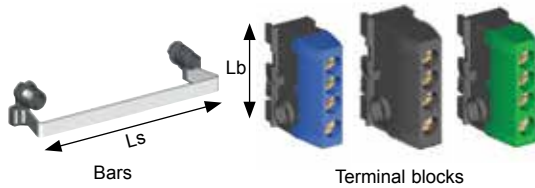
- A 15 × 5-mm (0.6 × 0.2 in.) rail is provided for the compact terminal blocks.
- To raise the rail, use stand-offs catalog no. **NSYAMFET154TB**, **NSYAMFET204TB**, **NSYAMFET304TB** and screw **NSYAMFESTB**.



For boxes with height or width						
mm (in.)	Catalog no.	Qty.	Catalog no.	Qty.	Catalog no.	Qty.
105 (4.1)	<b>NSYAMRD11155TB</b>	10	<b>NSYAMRD11357TB</b>	10	-	-
150 (5.9)	<b>NSYAMRD16155TB</b>	10	<b>NSYAMRD16357TB</b>	10	-	-
175 (6.9)	<b>NSYAMRD19155TB</b>	10	<b>NSYAMRD19357TB</b>	10	-	-
225 (8.9)	<b>NSYAMRD24155TB</b>	10	<b>NSYAMRD24357TB</b>	10	<b>NSYAMRD243515TB</b>	10
275 (10.8)	<b>NSYAMRD29155TB</b>	10	<b>NSYAMRD29357TB</b>	10	<b>NSYAMRD293515TB</b>	10
325 (12.8)	<b>NSYAMRD34155TB</b>	10	<b>NSYAMRD34357TB</b>	10	<b>NSYAMRD343515TB</b>	10

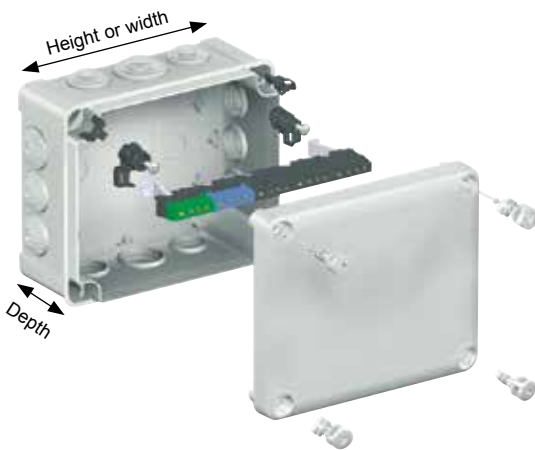
# Cable management accessories

## Terminal blocks



### IP2X terminal blocks

- The terminal-block support bar is particularly well suited to the thermoplastic boxes.
- Boxes with sizes from 192 × 116 mm (7.6 × 4.6 in.) can accommodate a terminal-block support bar of 12 × 2 mm (0.5 × 0.1 in.).
- The terminal blocks are easily clipped to this bar.
- For terminal-block connection capacity, see the selection table below.



Description	Height or width mm (in.)	Min. depth mm (in.)	Qty.	Catalog no.
Terminal-block support bar	192 (7.6)	87 (3.4)	1	<b>IMT34000</b>
	241 (9.5)	87 (3.4)	1	<b>IMT34001</b>
	291 (11.5)	128 (5.0)	1	<b>IMT34002</b>

Description	Terminal-block length Lb: mm (in.)	Black (live)	Blue (neutral)	Green (ground)
4-hole terminal blocks 2 × 10 <sup>2</sup> + 2 × 16 <sup>2</sup>	30 (1.2)	<b>NSYAPT22NTB</b>	<b>NSYAPT22BTB</b>	<b>NSYAPT22GTB</b>
4-hole terminal blocks 3 × 16 <sup>2</sup> + 1 × 25 <sup>2</sup>	36 (1.4)	<b>NSYAPT31NTB</b>	<b>NSYAPT31BTB</b>	<b>NSYAPT31GTB</b>
Quantity		10	5	5

### Selection table

- Number of terminal blocks per support.

	Terminal blocks 2 × 10 <sup>2</sup> + 2 × 16 <sup>2</sup> 4 holes	Terminal blocks 3 × 16 <sup>2</sup> + 1 × 25 <sup>2</sup> 4 holes	Support length Ls: mm (in.)
Support for 192 mm (7.6 in.)	4	4	140 (5.5)
Support for 241 mm (9.5 in.)	6	5	185 (7.3)
Support for 291 mm (11.5 in.)	8	6	235 (9.3)



### Ground terminal block

Description	Quantity	Catalog number
Ground terminal block	10	<b>IMT34009</b>

- The ground terminal snaps into boxes with dimensions of less than 116 × 116 mm (4.6 × 4.6 in.).
- Maximum connection capacity: 2 × 2.5<sup>2</sup>.

# Thermal management accessories

## Natural ventilation



### Sealed anti-condensation valve

- Controls the pressure to help prevent condensation after an internal temperature increase.
- Maintains IP68 protection.
- Material: PA6-V2, acrylic co-polymer membrane, water and oil repellent.
- Usage temperature:  $-40\dots+105$  °C.

Drill $\varnothing$	Permeability (1)	Pressure difference (2)	Quantity	Catalog number
M12	16 liters/h	$\Delta P < 1$ bar	10	<b>NSYCAG12LPH1</b>
M12	120 liters/h	$\Delta P < 0.1$ bar	10	<b>NSYCAG12LPH2</b>

(1) Air flow under  $\Delta P = 0.7$  bar.

(2) Condition for IP68.

### Applications

- Protection of equipment for lights, industrial control, transportation, and pumps.

	<b>Overview</b> .....	3/2
	<b>Selection guide</b> .....	3/4
	<b>Spacial® S3DC Steel wall-mounting enclosures</b> .....	3/6
	Characteristics .....	3/10
	Dimensions .....	3/13
	Selection guide .....	3/14
	Accessories .....	3/16
	<b>Spacial S3DCD Disconnect enclosures</b> .....	3/32
	Characteristics .....	3/34
	Dimensions .....	3/35
	Selection guide .....	3/36
	<b>Spacial S3HF Electromagnetic protected enclosures</b> .....	3/38
	Selection guide .....	3/38
	Dimensions .....	3/39
	<b>Spacial CRN - CRNG Steel wall-mounting enclosures</b> .....	3/40
	Spacial CRN characteristics .....	3/43
	Spacial CRN dimensions .....	3/44
	Spacial CRNG characteristics .....	3/46
	Spacial CRNG dimensions .....	3/47
	Spacial CRN - CRNG selection guide .....	3/50
	Spacial CRN - CRNG accessories .....	3/54
	<b>Spacial S3CM Human-machine dialog enclosures</b> .....	3/66
	Selection guide .....	3/70
	Characteristics .....	3/72
	Dimensions .....	3/73
	Keyboard box for control enclosures .....	3/74
	Accessories .....	3/75



3

### > Mounting & cabling systems

for setting up devices and managing cabling

### > Thermal management

for controlling the internal temperature & humidity of the enclosure

Spacial® S3DC, CRN and CRNG

## Steel enclosures



## 3 Material Solutions

Steel

Stainless-steel

Polyester

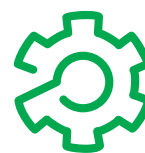
### Time-saving & easy to equip

...with direct installation of the mounting plate.

**Spacial S3DC, CRN and CRNG** are designed to protect your equipment in most indoor installations with **harsh & dirty environments**, such as:

- > Machines
- > Manufacturing plants
- > Logistics centers, etc

Whatever the installation environment, you can select the material according to your needs: steel, stainless-steel or polyester. Our enclosures share the same sizes and most of the mounting, cabling and installation accessories, to make selection and mounting simpler!



Machines



Industry

## Spacial S3DC - S3X Thalassa PLM

+ Simple to choose,  
simple to order  
and simple to use!

Spacial S3X

### Stainless-steel enclosures



#### Durable & hygienic

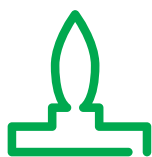
...using highly corrosion-resistant material with a detailed finish, to reduce the risk of contamination.

**Spacial S3X** is commonly used in:

- > **Food & beverage** and **pharmaceutical industries**, where the ability to clean hard water is required to help prevent the growth of bacteria.
- > The **oil & gas** industries, for its chemical resistance.



Food & Beverage



Oil & Gas

Thalassa™ PLM

### Polyester enclosures

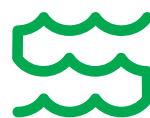


#### Safety & low maintenance

...thanks to its long-lasting and insulated material construction (Class II protection level from hazard).

**Thalassa PLM** offers excellent performance in:

- > **Outdoor applications**, such as road & train infrastructures, airports and harbors, including saline environments.
- > A good choice for harsh environments where non-corrosive materials are required.



Desalination



Airport

3



# Wall-mounting enclosures

## Selection guide



3

Dimensions (mm and inches)						Number of doors	IP	Spacial S3DC painted steel enclosures	Spacial S3X Stainless steel 304L
H (mm)	W (mm)	D (mm)	H (in.)	W (in.)	D (in.)			Plain door without mounting plate	Plain door without mounting plate
300	200	150	11.81	7.87	5.91	1	66	NSYS3DC3215	NSYS3X3215
300	300	150	11.81	11.81	5.91	1	66	NSYS3DC3315	NSYS3X3315
300	300	200	11.81	11.81	7.87	1	66	NSYS3DC3320	-
400	300	150	15.75	11.81	5.91	1	66	NSYS3DC4315	NSYS3X4315
400	300	200	15.75	11.81	7.87	1	66	NSYS3DC4320	NSYS3X4320
400	400	200	15.75	15.75	7.87	1	66	NSYS3DC4420	NSYS3X4420
500	400	200	19.69	15.75	7.87	1	66	NSYS3DC5420	NSYS3X5420
500	400	250	19.69	15.75	9.84	1	66	NSYS3DC5425	-
500	500	200	19.69	19.69	7.87	1	66	NSYS3DC5520	-
500	500	250	19.69	19.69	9.84	1	66	NSYS3DC5525	-
600	400	200	23.62	15.75	7.87	1	66	NSYS3DC6420	NSYS3X6420
600	400	250	23.62	15.75	9.84	1	66	NSYS3DC6425	-
600	600	200	23.62	23.62	7.87	1	66	NSYS3DC6620	-
600	600	250	23.62	23.62	9.84	1	66	NSYS3DC6625	NSYS3X6625
600	600	300	23.62	23.62	11.81	1	66	NSYS3DC6630	-
700	500	250	27.56	19.69	9.84	1	66	NSYS3DC7525	NSYS3X7525
800	600	200	31.50	23.62	7.87	1	66	NSYS3DC8620	-
800	600	250	31.50	23.62	9.84	1	66	NSYS3DC8625	NSYS3X8625
800	600	300	31.50	23.62	11.81	1	66	NSYS3DC8630	-
800	600	400	31.50	23.62	15.75	1	66	NSYS3DC8640	-
800	800	250	31.50	31.50	9.84	1	66	NSYS3DC8825	-
800	800	300	31.50	31.50	11.81	1	66	NSYS3DC8830	NSYS3X8830
1000	600	250	39.37	23.62	9.84	1	66	NSYS3D10625	-
1000	800	250	39.37	31.50	9.84	1	66	NSYS3DC10825	-
1000	800	300	39.37	31.50	11.81	1	66	NSYS3DC10830	NSYS3X10830
1000	800	400	39.37	31.50	15.75	1	66	NSYS3DC10840	-
1000	1000	300	39.37	39.37	11.81	1	66	NSYS3DC101030	-
1200	800	300	47.24	31.50	11.81	1	66	NSYS3DC12830	NSYS3X12830
1200	800	400	47.24	31.50	15.75	1	66	NSYS3DC12840	-
1200	1000	300	47.24	39.37	11.81	1	66	NSYS3DC121030	-

Wall-mounting bracket (x4)		
	Steel	NSYAEFPFSC
	Stainless steel	NSYPFCX
	Polyester	NSYPPFLM

Lighting		
	Neon light, magnetic or mechanical mounting	NSYLAM75
	Door contact S3DC/S3X	NSYINLCRN

Mounting		
	M6 nut for PLM direct mounting	NSYTCSPML
	Self-tapping screw for microperforated mounting plate	NSYS13M5HS
	Hexagonal screw M6 × 12 for alum. upright	NSYS12M6H
	Hexagonal screw M6 × 16 for alum. upright	NSYS16M6H
	Hexagonal screw M6 × 18 for alum. upright	NSYS18M6H
	M6 nut for alum. upright	NSYNM6

Door accessories		
	Door cable trunking support for Ø 22 mm / 0.86 in (×10)	NSYSPCP
	Plastic document pocket A4, d = 20 mm	NSYDPA4
	Plastic document pocket A4, d = 40 mm	NSYDPA44
	Plastic window 248 × 235 × 13	NSYVA2736M
	Plastic window 78 × 95 × 15	NSYVA274M

# Wall-mounting enclosures


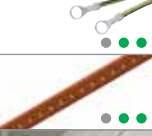



## Selection guide




	Spacial S3XH Stainless steel 316L	Thalassa PLM Polyester	Plain mounting plate painted white	Plain mounting plate galvanized	Microperforated mounting plate	Perforated (Telequick™)*	Aluminum upright**
	Plain door without mounting plate	Plain door without mounting plate					
	NSYS3X3215H	NSYPLM32	NSYMM32WH	NSYMM32	NSYMF32	NSYMR32	NSYMDVR3
	NSYS3X3315H	-	NSYMM33WH	NSYMM33	NSYMF33	NSYMR33	NSYMDVR3
	-	-	NSYMM33WH	NSYMM33	NSYMF33	NSYMR33	NSYMDVR3
	NSYS3X4315H	-	NSYMM43WH	NSYMM43	NSYMF43	NSYMR43	NSYMDVR4
	NSYS3X4320H	NSYPLM43	NSYMM43WH	NSYMM43	NSYMF43	NSYMR43	NSYMDVR4
	NSYS3X4420H	-	NSYMM44WH	NSYMM44	NSYMF44	NSYMR44	NSYMDVR4
	NSYS3X5420H	NSYPLM54	NSYMM54WH	NSYMM54	NSYMF54	NSYMR54	NSYMDVR5
	-	-	NSYMM54WH	NSYMM54	NSYMF54	NSYMR54	NSYMDVR5
	-	-	NSYMM55WH	NSYMM55	NSYMF55	NSYMR55	NSYMDVR5
	-	-	NSYMM55WH	NSYMM55	NSYMF55	NSYMR55	NSYMDVR5
	NSYS3X6420H	-	NSYMM64WH	NSYMM64	NSYMF64	NSYMR64	NSYMDVR6
	-	NSYPLM64	NSYMM64WH	NSYMM64	NSYMF64	NSYMR64	NSYMDVR6
	-	-	NSYMM66WH	NSYMM66	NSYMF66	NSYMR66	NSYMDVR6
	NSYS3X6625H	-	NSYMM66WH	NSYMM66	NSYMF66	NSYMR66	NSYMDVR6
	-	-	NSYMM66WH	NSYMM66	NSYMF66	NSYMR66	NSYMDVR6
	NSYS3X7525H	-	NSYMM75WH	NSYMM75	NSYMF75	NSYMR75	NSYMDVR7
	-	-	NSYMM86WH	NSYMM86	NSYMF86	NSYMR86	NSYMDVR8
	NSYS3X8625H	-	NSYMM86WH	NSYMM86	NSYMF86	NSYMR86	NSYMDVR8
	-	NSYPLM86	NSYMM86WH	NSYMM86	NSYMF86	NSYMR86	NSYMDVR8
	-	-	NSYMM86WH	NSYMM86	NSYMF86	NSYMR86	NSYMDVR8
	-	-	NSYMM88WH	NSYMM88	NSYMF88	NSYMR88	NSYMDVR8
	NSYS3X8830H	-	NSYMM88WH	NSYMM88	NSYMF88	NSYMR88	NSYMDVR8
	-	-	NSYMM106WH	NSYMM106	NSYMF106	NSYMR106	NSYMDVR10
	-	-	NSYMM108WH	NSYMM108	NSYMF108	NSYMR108	NSYMDVR10
	NSYS3X10830H	NSYPLM108	NSYMM108WH	NSYMM108	NSYMF108	NSYMR108	NSYMDVR10
	-	-	NSYMM108WH	NSYMM108	NSYMF108	NSYMR108	NSYMDVR10
	-	-	NSYMM1010WH	NSYMM1010	NSYMF1010	NSYMR1010	NSYMDVR10
	NSYS3X12830H	-	NSYMM128WH	NSYMM128	NSYMF128	NSYMR128	NSYMDVR12
	-	-	NSYMM128WH	NSYMM128	NSYMF128	NSYMR128	NSYMDVR12
	-	-	NSYMM1210WH	NSYMM1210	NSYMF1210	NSYMR1210	NSYMDVR12

\*NSYEMR is mandatory for Spacial S3DC enclosure width > 1000 mm.

\*\*NSYAMCSF is mandatory for S3DC and S3X enclosures.

Grounding	
	Grounding lead 160, sec. 6 <sup>2</sup> <b>NSYEL166D8</b>
	Grounding lead L350, sec. 25 <sup>2</sup> <b>NSYEL3525D8</b>
	Grounding strip connection points 87 <b>NSYECB1M153</b>
	2 grounding collector supports <b>NSYEDCOS</b>
	2 grounding collector rail supports <b>NSYEDCOC</b>

Locking system	
	Screwdriver insert for Thalassa PLM <b>NSYAEDLSD</b>

3

# Select your range of Spacial steel wall-mounting enclosures



S3DC

**You need an efficient, sealed multipurpose and aesthetic enclosure for an indoor industrial facility.**

**Our solution: the Spacial S3DC universal offer.**

A universal enclosure with 3-point locks and a broad range of accessories to conform to all your applications.

NEMA 4, 4X, IP66 water and dust tightness.

A complete offer of 30 dimensions from 300 × 200 × 150 mm (11.8 × 7.9 × 5.9 in.) to 1200 × 1000 × 300 mm (47.2 × 39.4 × 11.8 in.):

- With plain door, without cable-gland plate
- Resistance to mechanical impacts: IK10 plain door
- Compliance with enclosure standard EN 62208 and IEC 62208
- A broad range of accessories to conform to all your applications
- See the Selection Guide on page 3/14.



S3DCD

**You need an efficient sealed enclosure for a specific application such as electronics and electricity distribution.**

**Our solution: the Spacial S3DC application offer.**

- Models sized and suited for your applications
- Discover our S3DCD disconnect enclosure on page 3/32.



S3HF

**You need an efficient sealed enclosure for an industrial facility with EMC constraints.**

**Our solution: the offer for EMC environments.**

**Enclosures suited to different EMC environments.**

- IP55 water and dust tightness
- See page 3/38.



Discover our other ranges:

Spacial S3X page 5/4.

Thalassa PLM page 6/12.

# Sharing a broad range of accessories



Automation

Network and Electronics



**Spacial S3DC:**  
The multipurpose enclosure

# The steel enclosure developed to help you save time

3

### Easy handling

- Reusable, eco-friendly packaging.
- No sharp corners.

### Useful life

Quality of the welding and the coating.

### Component security

- Water and dust tightness and impact resistance.
- EMC and ATEX offer.

### Increased choice

- Large range of standard sizes.
- Application offer with special sizes.

### Easy installation

- Four 10-mm (0.4 in) shouldered welded studs.
- Broad range of mounting plates.
- Wire guides welded to the door on enclosures 400 mm (15.7 in.) or higher.

### Added value to your work

- Quality and aesthetics.

### Easy maintenance

- Removable hinges.
- 1 lock command on enclosures 600 mm (23.6 in.) or higher.



# Broad range of accessories



3

## > Mounting

- 1 Wall-mounting
- 2 Floor-standing
- 3 Roof
- 4 Viewing and grounding

## > Cable installation and management

- 5 Installation
- 6 Cable entries
- 7 Cable management
- 8 Thermal management

# Steel wall-mounting enclosures

## Characteristics

3



3-point lock enclosure.



One action point enclosure.

### The Spacial S3DC steel enclosure universal offer

- Enclosure with plain door.
- Structured finish, epoxy-polyester powder, RAL 7035 gray color. See the Selection Guide on page 3/14.

### Technical characteristics

#### Enclosure body

- Single-piece body (cross-shaped structure). Gutter-shaped front profile with double fold. Flat rear.
- 4 (or 6\*\*) M8 × 25 shouldered backstuds for installing mounting plates and step slides, leaving a space of 10 mm (0.4 in.) behind them.
- M6 × 16 grounding studs for equipotential connection between the door and the body of the enclosure.
- Four direct wall-mounting drill holes [Ø 10 mm (0.4 in.)] are sealed with plugs to maintain the degree of protection. Or mount with lugs installed from the outside (lugs ordered separately, see page 3/20).

#### Enclosure door

- Wall-mounting enclosure supplied with screwdriver insert lock as standard.
- Polyurethane door gasket.
- M6 × 16 grounding studs for equipotential connection between the door and the body of the enclosure.
- Easily removable and reversible, with 20-mm (0.8 in.) return with double thickness for excellent rigidity, opening to 120°, equipped with 2 or 3 invisible hinges\*.
- For heights from 600 mm (23.6 in.), three locking points with linkage, with a single control point. Simple reversal of linkage. Maximum load: 50 kg/m<sup>2</sup>.
- Perforated rails on the door, with pre-drilled holes with a diameter of 4.2 mm (0.2 in.) in steps of 25 mm (1.0 in.):
  - 2 vertical rails from the height of 400 mm (15.7 in.),
  - 2 vertical rails and 2 horizontal rails from the width of 800 mm (31.5 in.).

\* From the height of 800 mm (31.5 in.).

\*\* Widths of 1000 and 1200 mm (39.4 and 47.2 in.).

#### Standards

Compliance with enclosure standards IEC 62208, UL 508A. Environmental testing to UL 50E.

The Spacial S3DC wall-mounting enclosures are compliant with the RoHS directive.

#### Certifications

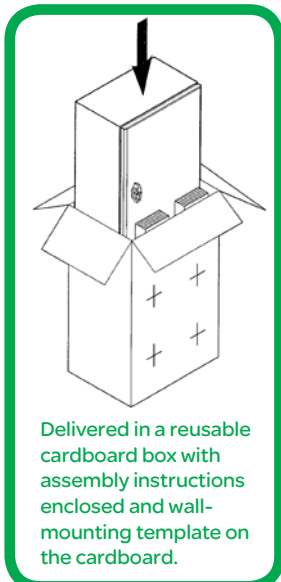
For certification table, see page 9/2.



Welded studs for the ground connection.



Screwdriver lock (coin protected).



Delivered in a reusable cardboard box with assembly instructions enclosed and wall-mounting template on the cardboard.



Our certificates can be downloaded from our website.

# Steel wall-mounting enclosures

## Characteristics



Our empty enclosures are marked CE according to the Low-Voltage Directive (LVD). It is the responsibility of the final equipment manufacturer to respect the regulations in force.

### Technical characteristics

#### Protection degree

- IP66 for the single-door enclosures and IP55 for the double-door enclosures, according to IEC 60529.
- UL/NEMA rated 4, 4X for the single-door enclosures and 12, 12K, 13 for the double-door enclosures according to UL 50E and NEMA 250.

#### Resistance to external mechanical impacts

- IK10 for the plain-door enclosures, according to IEC 62262.
- IK08 for the glazed-door enclosures.

### Mechanical characteristics

#### Attachment of mounting hardware

- 4 (or 6\*\*) M8 × 25 shouldered backstuds for installing mounting plates and step slides, leaving a space of 10 mm (0.4 in.) behind them.
- \*\* 6 studs for widths 1000 and 1200 mm (39.4 and 47.2 in.).

#### Personnel protection

**Ground connection:** Spacial S3DC steel enclosures are equipped with M6 × 16 grounding studs welded in the body and the door for equipotential connection. Grounding braid ordered separately (see page 8/101).

**Closing the enclosure:** enclosures of 600 mm (23.6 in.) and higher are equipped with three linked locking points, with a single control point, preventing the enclosures from being left ajar. For locks and inserts see page 3/26.

#### Coating properties

**Color:** RAL 7035 gray; finish: structured.

**Coating thickness:** 60 µm.

**Fire class:** M0.

**Resistance to corrosion:** compliance with standard IEC 62208 for outdoor installation: 288 h of humid heat and 336 h of salt mist.

**Note:** the Spacial S3DC is specially designed for indoor installations. For outdoor installations, it is advisable to install a canopy or contact us.

**Protection from nuclear contamination (NFT 30901):** RAL 7035 and AFNOR A550 tests available on request.



For further information, see the technical annexes on page 9/2.



# Steel wall-mounting enclosures Protection

3



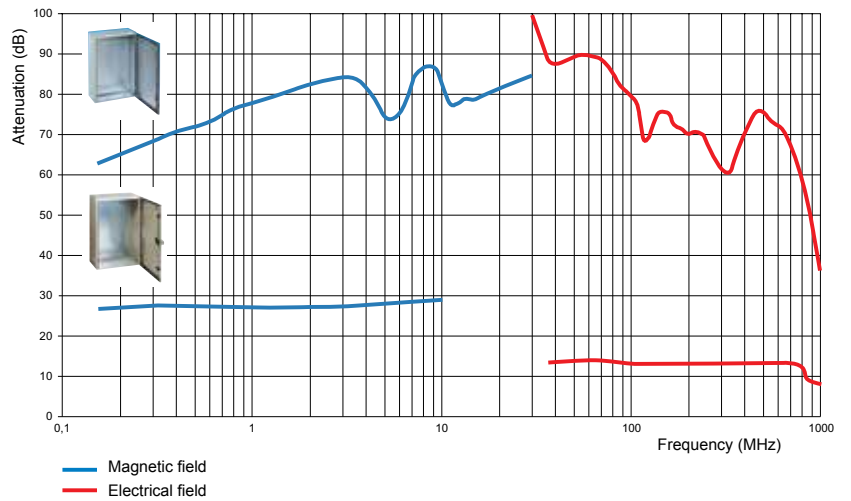
## EMC protection

Standard Spacial S3DC enclosures are tested against electromagnetic disruptions. Since the enclosure is tested empty, it is advisable to rerun the tests with the enclosure equipped in its final configuration.

Grounding braids ordered separately, see page 8/101.

For another EMC solution and additional information on electromagnetic compatibility, see the Spacial S3HF enclosure, page 3/38.

## Attenuation curve of the Spacial S3DC compared with the Spacial S3HF



Frequency: 3 - 13.2 Hz  
Amplitude: 1 mm/sec below 22 Hz  
Frequency: 3 - 100 Hz  
Acceleration: 0.7 g above 30 Hz

## Vibration constraints

The Spacial S3DC enclosure is constructed as a single-piece body with a cross-shaped structure. The rear is flat without added parts, allowing it to comply with specific vibration constraints.

The tests were conducted according to the "rules for ships" by "Det Norske Veritas." Enclosures labelled "DNV" have undergone these tests and obtained classification "A." Since the enclosure is tested empty, it is advisable to rerun the tests with the enclosure equipped in its final configuration.

## ATEX compliance

The Spacial S3DC enclosure (with adaptation) is certified ATEX by the LCIE.



## Environmental consideration

Compliance with RoHS standard.

# Steel wall-mounting enclosures

## Dimensions

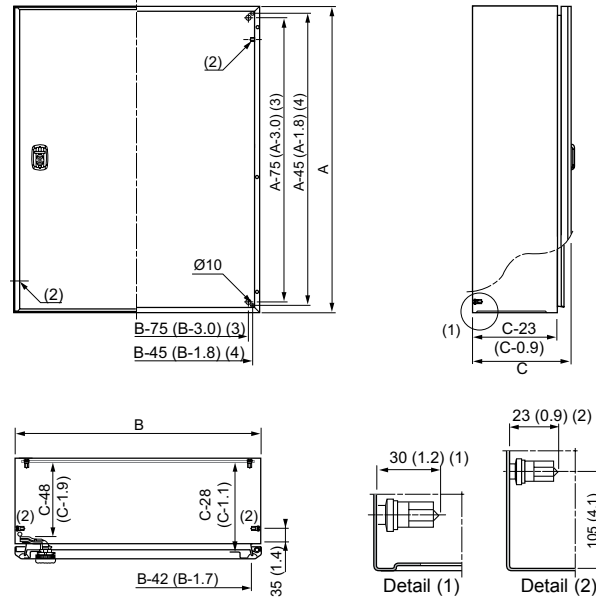
A: Enclosure height  
 B: Enclosure width  
 C: Enclosure depth

- (1) 4 or 6 M8 × 25 mm (1.0 in.) backstuds with widths 1000 to 1200 mm (39.4 to 47.2 in.).
- (2) 2 M6 × 17.5 mm (0.7 in.) grounding studs.
- (3) Stud center-to-center distance.
- (4) Center-to-center distance of the holes for direct mounting.



The DXF diagrams can be downloaded from our website.

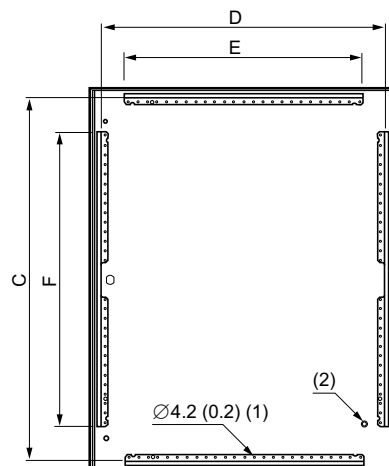
### 1-door enclosure



### Perforated rails on plain door

Enclosure (*): mm (in.)		Perforated rails on the door: mm (in.)				Perforated rails on the internal door: mm (in.)			
Height	Width	Vertical		Horizontal		Vertical		Horizontal	
		F	D	E	C	F	D	E	C
400 (15.7)	300 (11.8)	320 (12.6)	237 (9.3)	-	-	-	-	-	-
400 (15.7)	400 (15.7)	320 (12.6)	337 (13.3)	-	-	-	-	-	-
500 (19.7)	400 (15.7)	370 (14.6)	337 (13.3)	-	-	-	-	-	-
500 (19.7)	500 (19.7)	370 (14.6)	437 (17.2)	-	-	-	-	-	-
600 (23.6)	400 (15.7)	370 (14.6)	337 (13.3)	-	-	-	-	-	-
600 (23.6)	600 (23.6)	370 (14.6)	537 (21.1)	-	-	-	-	-	-
700 (27.6)	500 (19.7)	470 (18.5)	437 (17.2)	-	-	-	-	-	-
800 (31.5)	600 (23.6)	570 (22.4)	537 (21.1)	-	-	-	-	-	-
800 (31.5)	800 (31.5)	570 (22.4)	737 (29.0)	620 (24.4)	749 (29.5)	-	-	-	-
1000 (39.4)	600 (23.6)	770 (30.3)	537 (21.1)	420 (16.5)	949 (37.4)	-	-	-	-
1000 (39.4)	800 (31.5)	770 (30.3)	737 (29.0)	620 (24.4)	949 (37.4)	-	-	-	-
1000 (39.4)	1000 (39.4)	770 (30.3)	937 (36.9)	820 (32.3)	949 (37.4)	820 (32.3)	437 (17.2)	320 (12.6)	949 (37.4)
1200 (47.2)	800 (31.5)	970 (38.2)	737 (29.0)	620 (24.4)	1149 (45.2)	-	-	-	-
1200 (47.2)	1000 (39.4)	970 (38.2)	937 (36.9)	820 (32.3)	1149 (45.2)	1020 (40.2)	437 (17.2)	320 (12.6)	1149 (45.2)

(\*) The doors of enclosures smaller than 800 × 600 mm (31.5 × 23.6 in.) do not have horizontal cable guides.



- (1) Perforations in steps of 25 mm (1.0 in.).
- (2) 1 M6 × 17.5 mm (0.7 in.) grounding stud.



Areas without cut-outs, see page 3/19



# Steel wall-mounting enclosures




## Selection guide



3

Dimensions (mm and Inches)						Number of doors	IP	Weight of empty enclosures: kg (lbs)	Plain front door		
H (mm)	W (mm)	D (mm)	H (in.)	W (in.)	D (in.)				Without mounting plate	Plain mounting plate painted white	Plain mounting plate galvanized
300	200	150	11.81	7.87	5.91	1	66	2.82 (6.2)	NSYS3DC3215	NSYMM32WH	NSYMM32
300	300	150	11.81	11.81	5.91	1	66	3.18 (7.0)	NSYS3DC3315	NSYMM33WH	NSYMM33
300	300	200	11.81	11.81	7.87	1	66	4.07 (9.0)	NSYS3DC3320	NSYMM33WH	NSYMM33
400	300	150	15.75	11.81	5.91	1	66	4.66 (10.3)	NSYS3DC4315	NSYMM43WH	NSYMM43
400	300	200	15.75	11.81	7.87	1	66	4.57 (10.1)	NSYS3DC4320	NSYMM43WH	NSYMM43
400	400	200	15.75	15.75	7.87	1	66	5.92 (13.1)	NSYS3DC4420	NSYMM44WH	NSYMM44
500	400	200	19.69	15.75	7.87	1	66	8.72 (19.2)	NSYS3DC5420	NSYMM54WH	NSYMM54
500	400	250	19.69	15.75	9.84	1	66	9.62 (21.2)	NSYS3DC5425	NSYMM54WH	NSYMM54
500	500	200	19.69	19.69	7.87	1	66	10.41 (23.0)	NSYS3DC5520	NSYMM55WH	NSYMM55
500	500	250	19.69	19.69	9.84	1	66	11.29 (24.9)	NSYS3DC5525	NSYMM55WH	NSYMM55
600	400	200	23.62	15.75	7.87	1	66	10.11 (22.3)	NSYS3DC6420	NSYMM64WH	NSYMM64
600	400	250	23.62	15.75	9.84	1	66	11.42 (25.2)	NSYS3DC6425	NSYMM64WH	NSYMM64
600	600	200	23.62	23.62	7.87	1	66	13.11 (28.9)	NSYS3DC6620	NSYMM66WH	NSYMM66
600	600	250	23.62	23.62	9.84	1	66	14.11 (31.1)	NSYS3DC6625	NSYMM66WH	NSYMM66
600	600	300	23.62	23.62	11.81	1	66	15.59 (34.4)	NSYS3DC6630	NSYMM66WH	NSYMM66
700	500	250	27.56	19.69	9.84	1	66	14.23 (31.4)	NSYS3DC7525	NSYMM75WH	NSYMM75
800	600	200	31.50	23.62	7.87	1	66	20.11 (44.3)	NSYS3DC8620	NSYMM86WH	NSYMM86
800	600	250	31.50	23.62	9.84	1	66	22.11 (48.7)	NSYS3DC8625	NSYMM86WH	NSYMM86
800	600	300	31.50	23.62	11.81	1	66	23.59 (52.0)	NSYS3DC8630	NSYMM86WH	NSYMM86
800	600	400	31.50	23.62	15.75	1	66	27.59 (60.8)	NSYS3DC8640	NSYMM86WH	NSYMM86
800	800	250	31.50	31.50	9.84	1	66	29.42 (64.9)	NSYS3DC8825	NSYMM88WH	NSYMM88
800	800	300	31.50	31.50	11.81	1	66	31.42 (69.3)	NSYS3DC8830	NSYMM88WH	NSYMM88
1000	600	250	39.37	23.62	9.84	1	66	27.11 (59.8)	NSYS3DC10625	NSYMM106WH	NSYMM106
1000	800	250	39.37	31.50	9.84	1	66	33.84 (74.6)	NSYS3DC10825	NSYMM108WH	NSYMM108
1000	800	300	39.37	31.50	11.81	1	66	36.84 (81.2)	NSYS3DC10830	NSYMM108WH	NSYMM108
1000	800	400	39.37	31.50	15.75	1	66	40.84 (90.0)	NSYS3DC10840	NSYMM108WH	NSYMM108
1000	1000	300	39.37	39.37	11.81	1	66	44.46 (98.0)	NSYS3DC101030	NSYMM1010WH	NSYMM1010
1200	800	300	47.24	31.50	11.81	1	66	43.84 (96.7)	NSYS3DC12830	NSYMM128WH	NSYMM128
1200	800	400	47.24	31.50	15.75	1	66	47.84 (105.5)	NSYS3DC12840	NSYMM128WH	NSYMM128
1200	1000	300	47.24	39.37	11.81	1	66	51.46 (113.4)	NSYS3DC121030	NSYMM1210WH	NSYMM1210

### Installation accessories

	Description	Catalog number
	Set of 4 steel mounting lugs	NSYAEFPFSC
	Set of 4 stainless-steel mounting lugs	NSYAEFPFXSC
	Kit for heavy loads	NSYAEFAHLBSC
	Batch of 2 M8 eyebolts	NSYAELYTCRG8



See also these accessories

Equipment mounting plate  
Page 3/18

Accessories for mounting plate  
Page 3/18

Cable-management accessories  
Page 3/30

# Steel wall-mounting enclosures

## Selection guide



Mounting plate						Accessories			
	Microperforated mounting plate galvanized	Aluminum upright*	Perforated Telequick**	19" fixed chassis	19" pivoting chassis	Internal door	Adjustable brackets	Door cross rail	Canopy
	NSYMF32	NSYMDVR3	NSYMR32	-	-	-	-	-	NSYTJ2015
	NSYMF33	NSYMDVR3	NSYMR33	-	-	-	-	-	NSYTJ3015
	NSYMF33	NSYMDVR3	NSYMR33	-	-	-	NSYSDCR200	-	NSYTJ3020
	NSYMF43	NSYMDVR4	NSYMR43	-	-	NSYPIN43	-	-	NSYTJ3015
	NSYMF43	NSYMDVR4	NSYMR43	-	-	NSYPIN43	NSYSDCR200	-	NSYTJ3020
	NSYMF44	NSYMDVR4	NSYMR44	-	-	-	NSYSDCR200	NSYTFPCR4	NSYTJ4020
	NSYMF54	NSYMDVR5	NSYMR54	-	-	NSYPIN54	NSYSDCR200	NSYTFPCR4	NSYTJ4020
	NSYMF54	NSYMDVR5	NSYMR54	-	-	NSYPIN54	NSYSDCR250	NSYTFPCR4	NSYTJ4025
	NSYMF55	NSYMDVR5	NSYMR55	-	-	-	NSYSDCR200	NSYTFPCR5	NSYTJ5020
	NSYMF55	NSYMDVR5	NSYMR55	-	-	-	NSYSDCR250	NSYTFPCR5	NSYTJ5025
	NSYMF64	NSYMDVR6	NSYMR64	-	-	NSYPIN64	NSYSDCR200	NSYTFPCR4	NSYTJ4020
	NSYMF64	NSYMDVR6	NSYMR64	-	-	NSYPIN64	NSYSDCR250	NSYTFPCR4	NSYTJ4025
	NSYMF66	NSYMDVR6	NSYMR66	NSYVDM12UF	NSYVDM11UP	-	NSYSDCR200	NSYTFPCR6	NSYTJ6020
	NSYMF66	NSYMDVR6	NSYMR66	NSYVDM12UF	NSYVDM11UP	-	NSYSDCR250	NSYTFPCR6	NSYTJ6025
	NSYMF66	NSYMDVR6	NSYMR66	NSYVDM12UF	NSYVDM11UP	-	NSYSDCR300	NSYTFPCR6	NSYTJ6030
	NSYMF75	NSYMDVR7	NSYMR75	-	-	NSYPIN75	NSYSDCR250	NSYTFPCR5	NSYTJ5025
	NSYMF86	NSYMDVR8	NSYMR86	NSYVDM17UF	NSYVDM16UP	NSYPIN86	NSYSDCR200	NSYTFPCR6	NSYTJ6020
	NSYMF86	NSYMDVR8	NSYMR86	NSYVDM17UF	NSYVDM16UP	NSYPIN86	NSYSDCR250	NSYTFPCR6	NSYTJ6025
	NSYMF86	NSYMDVR8	NSYMR86	NSYVDM17UF	NSYVDM16UP	NSYPIN86	NSYSDCR300	NSYTFPCR6	NSYTJ6030
	NSYMF86	NSYMDVR8	NSYMR86	NSYVDM17UF	NSYVDM16UP	NSYPIN86	NSYSDCR400	NSYTFPCR6	NSYTJ6040
	NSYMF88	NSYMDVR8	NSYMR88	-	-	-	NSYSDCR250	NSYTFPCR8	NSYTJ8025
	NSYMF88	NSYMDVR8	NSYMR88	-	-	-	NSYSDCR300	NSYTFPCR8	NSYTJ8030
	NSYMF106	NSYMDVR10	NSYMR106	NSYVDM21UF	NSYVDM20UP	NSYPIN106	NSYSDCR250	NSYTFPCR6	NSYTJ6025
	NSYMF108	NSYMDVR10	NSYMR108	-	NSYVDM20U8P	NSYPIN108	NSYSDCR250	NSYTFPCR8	NSYTJ8025
	NSYMF108	NSYMDVR10	NSYMR108	-	NSYVDM20U8P	NSYPIN108	NSYSDCR300	NSYTFPCR8	NSYTJ8030
	NSYMF108	NSYMDVR10	NSYMR108	-	NSYVDM20U8P	NSYPIN108	NSYSDCR400	NSYTFPCR8	NSYTJ8040
	NSYMF1010	NSYMDVR10	NSYMR1010	-	-	-	NSYSDCR300	NSYTFPCR10	NSYTJ10030
	NSYMF128	NSYMDVR12	NSYMR128	-	NSYVDM25U8P	NSYPIN128	NSYSDCR300	NSYTFPCR8	NSYTJ8030
	NSYMF128	NSYMDVR12	NSYMR128	-	NSYVDM25U8P	NSYPIN128	NSYSDCR400	NSYTFPCR8	NSYTJ8040
	NSYMF1210	NSYMDVR12	NSYMR1210	-	-	-	NSYSDCR300	NSYTFPCR10	NSYTJ10030

\*NSYAMCSF mandatory.

\*\*NSYEMR mandatory for enclosure width > 1000.

### Door accessories

	Description	Catalog number
	Steel door retainer for S3DC steel enclosure	NSYAEDRSCST
	Door switch for wall-mounting enclosures	NSYINLCRN
	Grounding lead 160, sec. 6 mm²	NSYEL166D8

### Mounting

	Description	Catalog number
	Mounting for the grounding strip	NSYEDCOS
	Self-tapping screw for microperforated mounting plate	NSYS13M5HS

3

[> For the roof](#)  
 Page 3/24

[> For mounting](#)  
 Page 8/2

[> For coupling](#)  
 Page 3/17

[> For mounting](#)  
 Page 3/20

[> For the door](#)  
 Page 3/28

[> For closing](#)  
 Page 3/26

[> Thermal management](#)  
 Page 7/14

[> For cable management](#)  
 Page 8/86

[> For cable entries](#)  
 (Membranes, cable glands)  
 Page 8/68

[> For supporting the cables](#)  
 Page 8/81

[> For cable entries](#)  
 (Cable-gland plate)  
 Page 3/30



See also these accessories

Mounting plate  
Page 8/2

DIN rail and mountings  
Page 8/48

# Accessories

## Coupling accessories



Installation example.

### Coupling Spacial steel enclosures

Available in 2 versions:

- Version without cable entry.
- Version with a coupling frame allowing the entry of cables.
- Separation of 17 mm (0.7 in.) between 2 coupled enclosures, allowing full opening of the doors.

#### Kit for mounting 2 joined enclosures

- The kit consists of 4 spacers and hardware.

#### Coupling frame

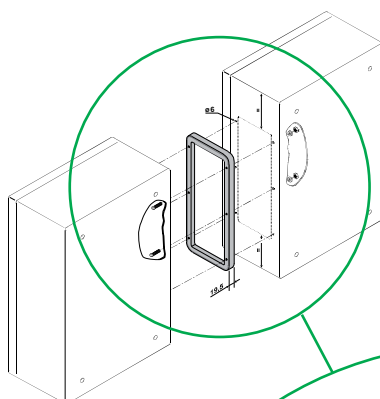
- Allows lateral coupling of 2 enclosures.
- The frame is made of polyester charged with self-extinguishing fiberglass.
- A built-in sealing gasket helps ensure the IP66 degree of protection.
- Mounting by screws, included.
- Dimensions: 435 × 185 mm (17.1 × 7.3 in.) and 635 × 185 mm (25.0 × 7.3 in.).
- These frames allow the door to open to 120°.



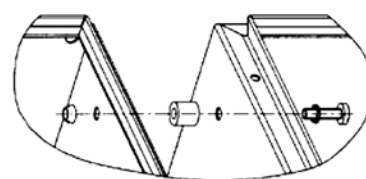
Description	Catalog number
Batch of 4 coupling spacers	<b>NSYAEUBUSC</b>
Coupling frame, 435 × 185 mm (17.1 × 7.3 in.)	<b>NSYAEUBU41SC</b>
Coupling frame, 635 × 185 mm (25.0 × 7.3 in.)	<b>NSYAEUBU61SC</b>



Version without cable entry.



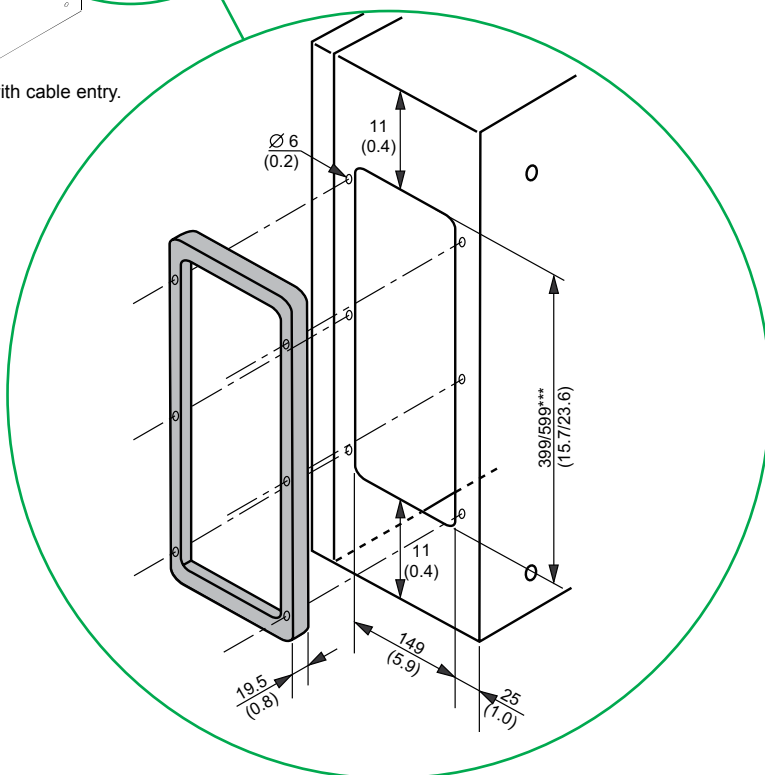
Version with cable entry.



Version without cable entry.

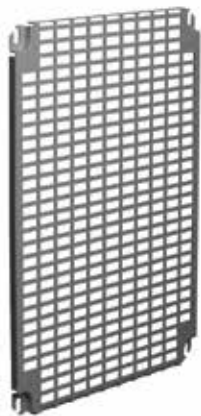


Version with cable entry.



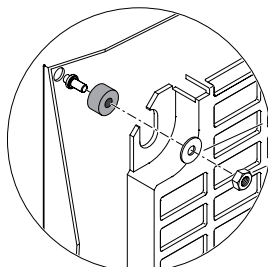
# Accessories

## Telequick mounting plates



### Installation of Telequick mounting plates

Spacers for raising the mounting plate in the enclosures equipped with 6 studs (enclosure widths  $\geq 1000$  mm [39.4 in]).



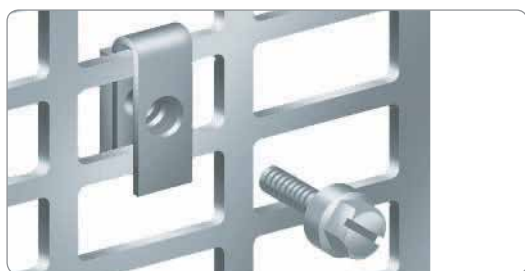
Catalog number  
NSYEMR

3



### Advantages of Telequick mounting solution

- No more drawing on the mounting plate.
- No more machining of the mounting plate.



Direct mounting of equipment on nuts.



Mount your cable duct easily.



Accessories designed for cable management.



Allows accessories to be clipped on.

# Accessories

## Telequick mounting plates



### Acceptable loads on the mounting plates, bases and doors

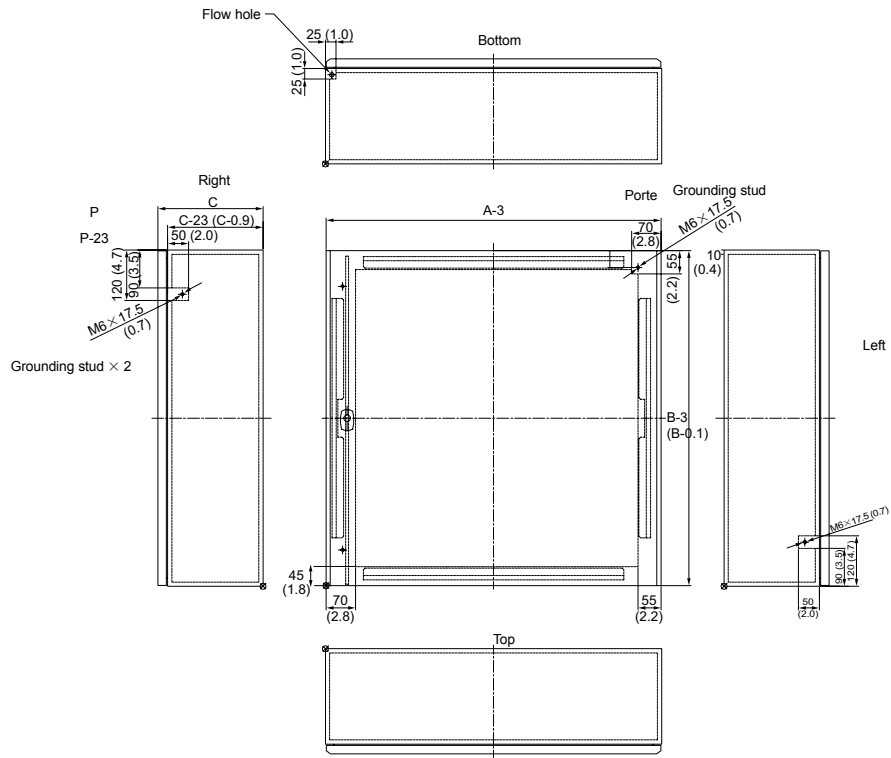
Acceptable loads: kg (lbs)					Catalog number
On plain mounting plates	On base	On door (1)	On vertical lug	On horizontal lug	
<b>Spacial S3DC wall-mounting enclosures</b>					
60 (132.3)	135 (297.6)	50 (110.2)	350 (771.6)	190 (418.9)	NSYS3D3215 to NSYS3D5320
90 (198.4)	135 (297.6)	50 (110.2)	350 (771.6)	190 (418.9)	NSYS3D5420 to NSYS3D6425
135 (297.6)	135 (297.6)	50 (110.2)	350 (771.6)	190 (418.9)	NSYS3D6620 to NSYS3D8630
150 (330.7)	135 (297.6)	50 (110.2)	350 (771.6)	190 (418.9)	NSYS3D10625 to NSYS3D10830
180 (396.8)	135 (297.6)	50 (110.2)	350 (771.6)	190 (418.9)	NSYS3D101030D to NSYS3D141030D

(1) On a sheet door with a thickness of 20/10 mm (0.8/0.4 in.), maximum acceptable load is 60 kg (132.3 lbs). Please contact us.

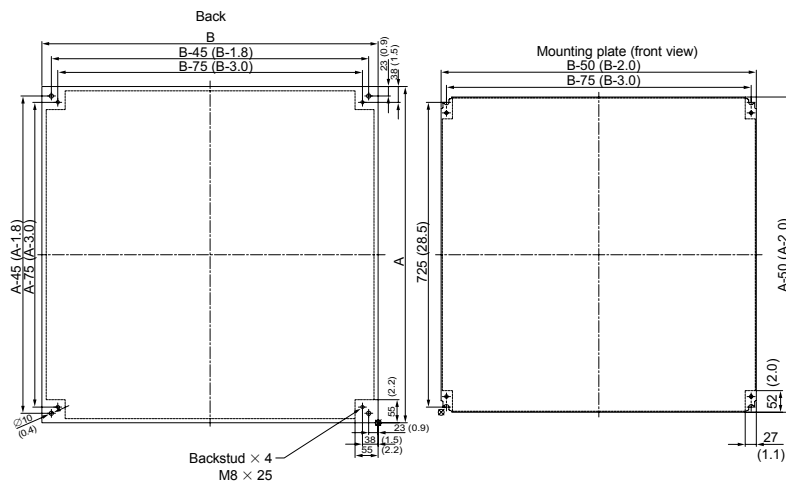


### Areas without cut-outs

A: Enclosure height  
B: Enclosure width  
C: Enclosure depth



Vertical cable guides from 400-mm (15.7 in.) height.  
Horizontal cable guides from 800-mm (31.5 in.) width.



Download our DXF diagrams from our website.



# Accessories

## Mounting accessories

3



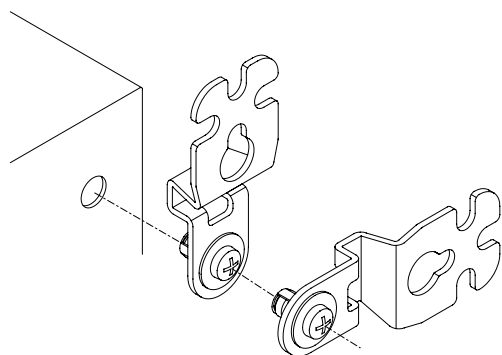
### Wall-mounting lugs

Set of 4 wall-mounting lugs

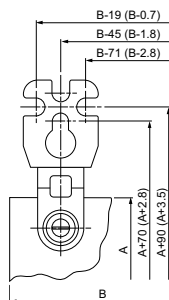
- Mounted directly on the rear of the enclosure, either in horizontal or vertical position.
- Available in two materials, steel and 304L stainless steel. Can be mounted in two positions, vertical or horizontal, for a wall enclosure separation of 10 mm (0.4 in.).
- Acceptable load:
  - Horizontal lug: 180 kg (396.8 lbs).
  - Vertical lug: 350 kg (771.6 lbs).
- Supplied with mounting screws and pre-mounted sealing gaskets.

Description	Catalog number
Set of 4 steel mounting lugs	<b>NSYAEFPFSC</b>
Set of 4 stainless-steel mounting lugs	<b>NSYAEFPFXSC</b>

### Mounting center-to-center distance with lugs (M8 screw)

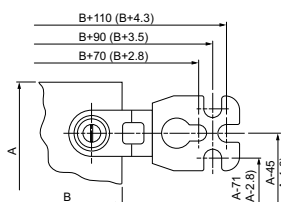


Installation from the outside.

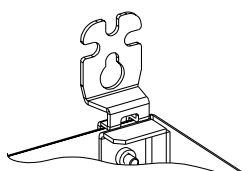


Vertical position.

A: Enclosure height  
B: Enclosure width



Horizontal position.



### Kit for heavy loads

Kit made up of 2 steel reinforcement pieces.

- Maximum load: 400 kg (881.8 lbs).
- To be mounted before installing the mounting plate in top position with the standard lugs (ordered separately).

Description	Catalog number
Kit for heavy loads	<b>NSYAEFAHLBSC</b>

# Accessories

## Mounting accessories



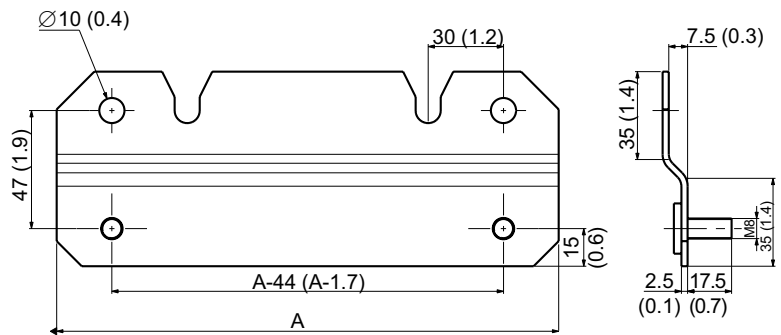
### Full-width mounting lugs

- Kit consists of 2 parts (top and bottom).
- Made from passivated zinc-coated steel.
- Mounted with screws from the inside.
- Permissible load: 350 kg (771.6 lbs).

Width: mm (in.)	Catalog number
200 (7.9)	NSYAEFPFS3DW20
300 (11.8)	NSYAEFPFS3DW30
400 (15.7)	NSYAEFPFS3DW40
500 (19.7)	NSYAEFPFS3DW50
600 (23.6)	NSYAEFPFS3DW60
800 (31.5)	NSYAEFPFS3DW80
1000 (39.4)	NSYAEFPFS3DW100



### Dimensions and cut-outs



A: width of enclosure

# Accessories

## Mounting accessories

3

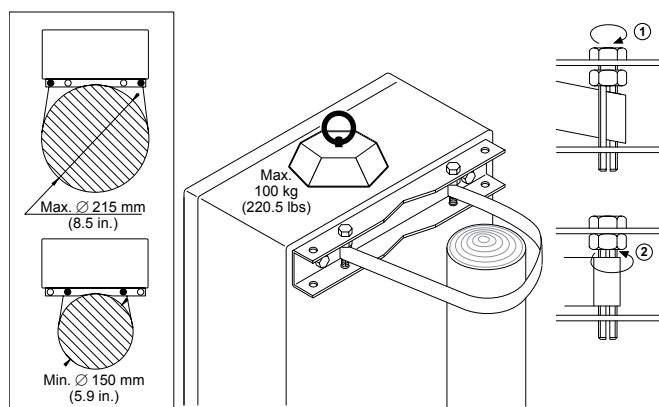
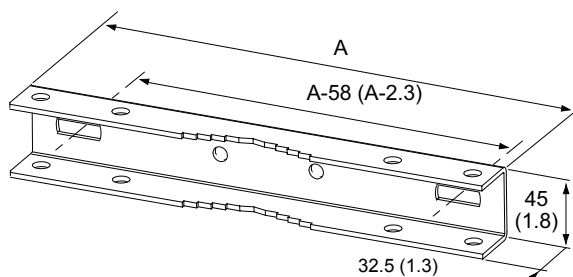


### Post-mounting device for Spacial steel enclosure

For indoor installations on posts with a maximum circumference of 675 mm (26.6 in.) [min. diameter 150 mm (5.9 in.) and max. diameter 215 mm (8.5 in.).

- Material: galvanized steel.
- Rail fixed to the inserts in the rear of the enclosure with 8-mm (0.3 in.) screws.
- Maximum load: 100 kg (220.5 lbs).
- They allow the mounting of protection canopies.
- For steel enclosures with widths of 300, 400, 500, 600 and 800 mm (11.8, 15.7, 19.7, 23.6 and 31.5 in.).

Description	A: mm (in.)	Catalog number
Post-mounting for enclosure with W 300 mm (11.8 in.)	295 (11.6)	<b>NSYSFPSC30</b>
Post-mounting for enclosure with W 400 mm (15.7 in.)	395 (15.6)	<b>NSYSFPSC40</b>
Post-mounting for enclosure with W 500 mm (19.7 in.)	495 (19.5)	<b>NSYSFPSC50</b>
Post-mounting for enclosure with W 600 mm (23.6 in.)	595 (23.4)	<b>NSYSFPSC60</b>
Post-mounting for enclosure with W 800 mm (31.5 in.)	795 (31.3)	<b>NSYSFPSC80</b>



# Accessories

## Mounting accessories



### Floor stand kit for wall-mounting enclosure

- Set of 2 legs, for elevation of wall-mounting enclosures.
- Mounting holes that match the holes of the existing structure.
- Made of galvanized steel: thickness 2.5 mm (0.09 in.) for sides and 3 mm (0.11 in) for the base.
- Coating: RAL 7035 gray polyester powder finish.
- Maximum load: 1300 kg (2866.0 lbs).



Supply: 2 platform legs (right and left) and mounting hardware.

Enclosure depth		Legs height		Catalog number
mm	inches	mm	inches	
300	11.8	300	11.8	<b>NSYWMK33</b>
400	15.7	300	11.8	<b>NSYWMK43</b>
300	11.8	450	17.7	<b>NSYWMK34</b>
400	15.7	450	17.7	<b>NSYWMK44</b>



# Accessories

## Hoisting accessories

3

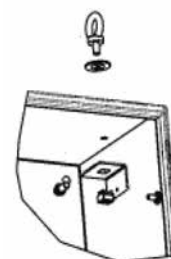


### Eyebolts

Set of two M8 eyebolts.

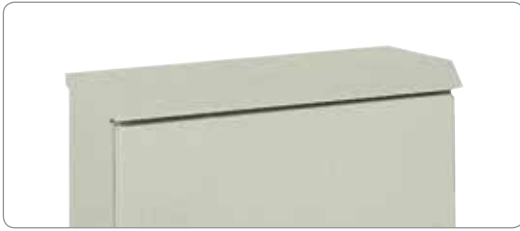
- Material: zinc-coated molded steel.
- The eyebolts are mounted directly to the body of the enclosure.
- Maximum load: 210 kg (463.0 lbs) per enclosure with the sling at 60°.
- Cannot be installed with the canopy in place.
- The reinforcing brackets are attached to the rings.
- The reinforcing brackets also act as a drilling template.

Description	Catalog number
Batch of 2 M8 eyebolts	<b>NSYAELYTCRG8</b>



# Accessories

## Hoisting accessories



### Protection canopy

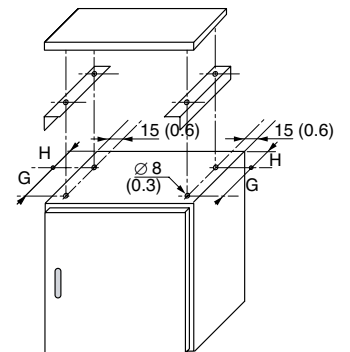
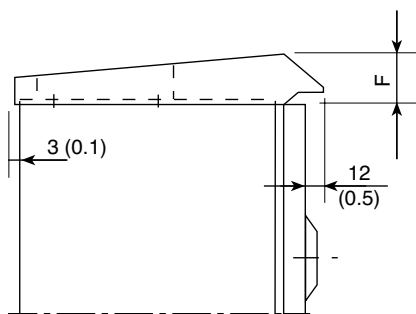
Direct mounting to the body of the enclosure by 4 M6 screws.

- Material: painted galvanized steel, structured finish, epoxy-polyester powder, RAL 7035 gray color.
- Delivered with installation hardware.
- To be used for all outdoor installations.

Enclosures: mm (in.)					Catalog number
Width	Depth	F	G	H	
200 (7.9)	150 (5.9)	36 (1.4)	75 (3.0)	23 (0.9)	NSYTJ2015
250 (9.8)	150 (5.9)	36 (1.4)	75 (3.0)	23 (0.9)	NSYTJ2515
300 (11.8)	150 (5.9)	36 (1.4)	75 (3.0)	23 (0.9)	NSYTJ3015
400 (15.7)	150 (5.9)	36 (1.4)	75 (3.0)	23 (0.9)	NSYTJ4015
500 (19.7)	150 (5.9)	36 (1.4)	75 (3.0)	23 (0.9)	NSYTJ5015
500 (19.7)	200 (7.9)	36 (1.4)	130 (5.1)	23 (0.9)	NSYTJ5020
600 (23.6)	200 (7.9)	36 (1.4)	130 (5.1)	23 (0.9)	NSYTJ6020
250 (9.8)	200 (7.9)	36 (1.4)	130 (5.1)	23 (0.9)	NSYTJ2520
300 (11.8)	200 (7.9)	36 (1.4)	130 (5.1)	23 (0.9)	NSYTJ3020
400 (15.7)	200 (7.9)	36 (1.4)	130 (5.1)	23 (0.9)	NSYTJ4020
800 (31.5)	200 (7.9)	36 (1.4)	130 (5.1)	23 (0.9)	NSYTJ8020
400 (15.7)	250 (9.8)	42 (1.7)	150 (5.9)	48 (1.9)	NSYTJ4025
500 (19.7)	250 (9.8)	42 (1.7)	150 (5.9)	48 (1.9)	NSYTJ5025
600 (23.6)	250 (9.8)	42 (1.7)	150 (5.9)	48 (1.9)	NSYTJ6025
800 (31.5)	250 (9.8)	42 (1.7)	150 (5.9)	48 (1.9)	NSYTJ8025
600 (23.6)	300 (11.8)	42 (1.7)	200 (7.9)	48 (1.9)	NSYTJ6030
800 (31.5)	300 (11.8)	42 (1.7)	200 (7.9)	48 (1.9)	NSYTJ8030
1000 (39.4)	300 (11.8)	42 (1.7)	200 (7.9)	48 (1.9)	NSYTJ10030
1200 (47.2)	300 (11.8)	42 (1.7)	200 (7.9)	48 (1.9)	NSYTJ12030
600 (23.6)	400 (15.7)	42 (1.7)	300 (11.8)	48 (1.9)	NSYTJ6040
800 (31.5)	400 (15.7)	42 (1.7)	300 (11.8)	48 (1.9)	NSYTJ8040
1000 (39.4)	400 (15.7)	42 (1.7)	300 (11.8)	48 (1.9)	NSYTJ10040
1200 (47.2)	400 (15.7)	42 (1.7)	300 (11.8)	48 (1.9)	NSYTJ12040



### Dimensions and cut-outs



# Accessories

## Locking accessories

3



### Standard locks

Spacial S3DC wall-mounting enclosures are supplied with a screwdriver insert (coin protected) lock as standard.

- Large range of standardized inserts covering the most common needs.
- Installation and removal with a single screw.

Description	Catalog number of form insert*
6-mm (0.2 in.) square	<b>NSYAEDLS6S3D</b>
7-mm (0.3 in.) square	<b>NSYAEDLS7S3D</b>
8-mm (0.3 in.) square	<b>NSYAEDLS8S3D</b>
3-mm (0.1 in.) double bar	<b>NSYAEDLB3S3D</b>
5-mm (0.2 in.) double bar	<b>NSYAEDLB5S3D</b>
CNOMO 6.5-mm (0.3 in.) triangular	<b>NSYAEDLT6S3D</b>
8-mm (0.3 in.) triangular	<b>NSYAEDLT8S3D</b>

\* Delivered with 1 plastic key.



### Standard handles with keys

Attractive and ergonomic bi-material handle.

- Large range of barrels covering the most common needs.
- Standard cam (see diagram above).
- The installation of the standard handle does not require the escutcheon to be removed.

Description	Catalog number of handle with keys*
1242	<b>NSYAEDL1242S3D</b>
405	<b>NSYAEDL405S3D</b>
421	<b>NSYAEDL421S3D</b>
455	<b>NSYAEDL455S3D</b>
2331A	<b>NSYAEDL2331S3D</b>
2433A	<b>NSYAEDL2433S3D</b>
3113A	<b>NSYAEDL3113S3D</b>

\* Delivered with 2 keys.



### Lock with screwdriver insert and metal latch

Catalog number  
**NSYAEDLSDS3D**



### Handle lock operated using screwdriver insert

Catalog number  
**NSYTSMLS3D**

# Accessories

## Locking accessories

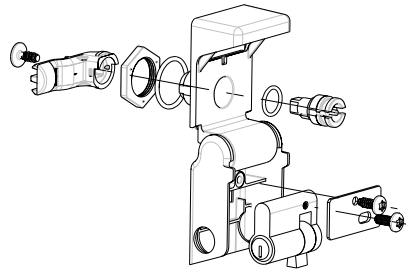


### Double lock

- Easy mounting in place of the standard lock.
  - Material: zamack.
- Delivered with 3-mm (0.1 in.) double-bar metal key.

Description	Catalog number
DIN half-cylinder (1)	<b>NSYAEDLDINS3D</b>
Padlockable 405 (2)	<b>NSYAEDLPADS3D</b>

(1) Delivered without barrel. Please contact us.  
 (2) Diameter 8 mm (0.3 in.).



### Locks with keys

- Easy mounting in place of the standard lock.
- Metal cam supplied.

EDF lock	Catalog number
EDF 900	<b>NSYAEDLEDF9S3D</b>
EDF 1300	<b>NSYAEDLEDF13S3D</b>
EDF 1400	<b>NSYAEDLEDF14S3D</b>



180° hinge.

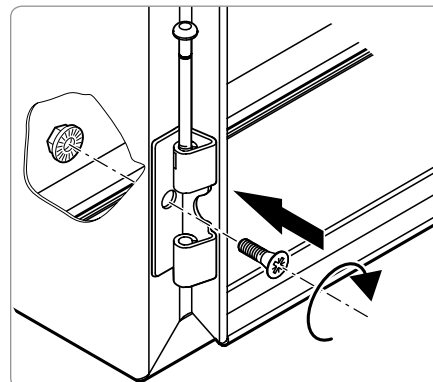


120° hinge.

### Door hinges

- Two models:
- For opening the door to an angle of 180°.
  - Spare standard hinges (120°).
  - Captive pin, indexed by a spring.
  - Batch of 1 hinge, delivered with hardware.
  - Material: zamack body for catalog number **NSYAEDH180S3D**, treated sheet-steel body for catalog number **NSYAEDH120S3D**, aluminum pin.
  - For the 180° hinge, the maximum allowable load on the door is 20 kg / m<sup>2</sup>.
  - For the 120° hinge, the maximum allowable load on the door is 50 kg / m<sup>2</sup>.

Description	Catalog number
180° hinge for S3DC enclosure	<b>NSYAEDH180S3D</b>
Standard 120° hinge for S3DC	<b>NSYAEDH120S3D</b>





# Accessories

## Doors



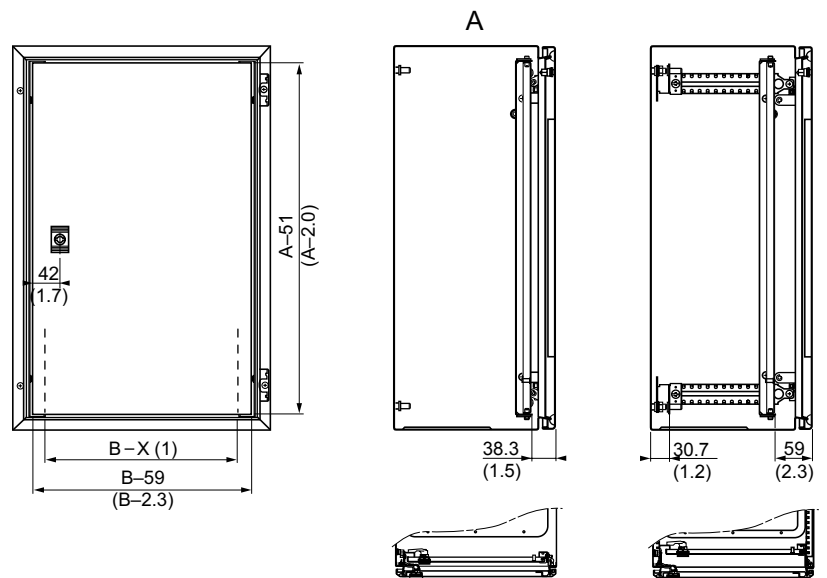
3

### Inner door

- Sheet-steel door, RAL 7035 gray color.
- Locking with 3-mm (0.1 in.) double-bar lock.
- Maximum load, 30 kg/m<sup>2</sup>.
- The inner door can be installed directly on the front face of the enclosure or on the step slides (not supplied as standard).
- It is possible to mount an internal door and a mounting plate together on the step slides with the standard supply.
- Incompatible with the installation of the door stop and door switch. For further details, please contact us.
- All doors with a height > 700 mm (27.6 in.) are equipped with welded vertical profiles in order to facilitate cable management. Those profiles allows the mounting of our standard door cross rail.

### Dimensions

Installation on the front of the enclosure (A) or installation on step slides (B).



(1) Dimension resulting from installation on step slides: B-83 mm (B-3.3 in.).  
Dimension resulting from direct installation (without step slides): B-91 mm (B-3.6 in.).

# Accessories

## Door accessories



### Steel door retainer

For blocking the door at the end of its travel.

- It is installed on enclosures with heights from 400 mm (15.7 in.) and widths from 300 mm (11.8 in.).
- Connection for grounding the enclosure on the reinforcement rail.
- Grounding accessories supplied with the enclosure (ground-connection wire to be ordered separately), see page **8/101**.
- Please note: cannot be installed on 19" mounting plates or on enclosures equipped with an internal door.

Description	Catalog number
Steel door retainer for Spacial wall-mounting steel enclosure	<b>NSYAEDRSCST</b>



### Door-holding system

To hold the door open while working on the enclosure.

- It is installed on the perforated rails of the enclosure doors at the required height.
- Material: polyamide 6 (PA6).
- It can be mounted on enclosures with a height > 400 mm (15.7 in.) [no door cross rail on heights < 400 mm (15.7 in.)].
- It cannot be installed in the Spacial CRN enclosures.

Description	Catalog number
Door-holding system for Spacial S3DC wall-mounting steel enclosure	<b>NSYAEDRS3DPA6</b>

# Cable management

## Cable entries



### Standard cable-gland plate

Made from self-extinguishing ABS with 30% fiberglass material. Color RAL 7035.

- Pre-marked holes with diameter Pg for coupling cable glands, membrane glands, tubes, etc.
- With a polyurethane sealing gasket.
- Excellent thermal resistance.
- Pre-marked holes for cable glands.

Catalog number	Fig.
NSYTSACRNA	1
NSYTSACRNB	2
NSYTSACRNB	3
NSYTSACRNC	3
NSYTSACRND	4
NSYTSACRNC	3

3



Example of use.

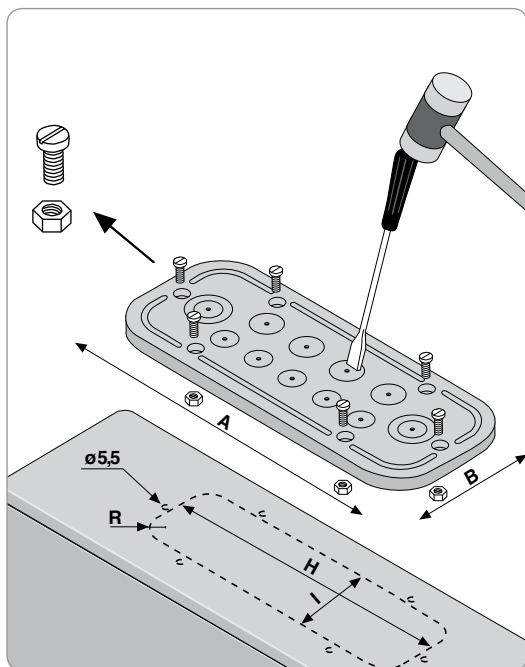


Fig. 1

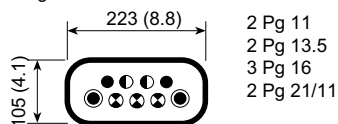


Fig. 2

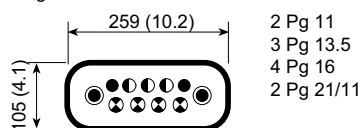


Fig. 3

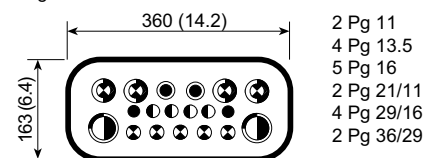
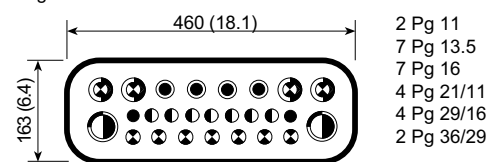


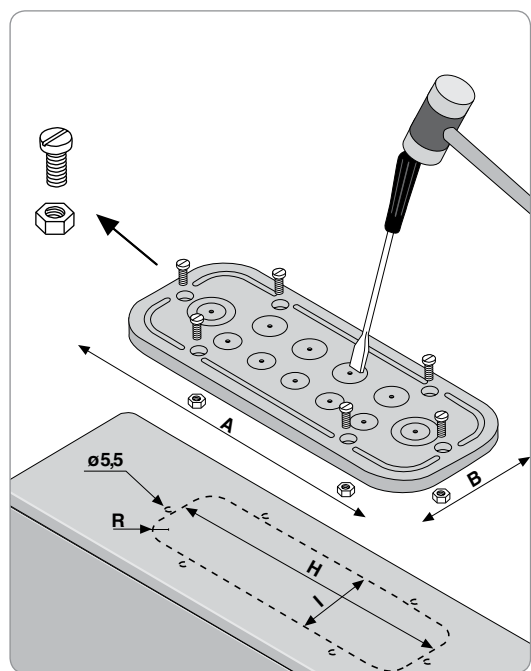
Fig. 4



- Pg 11: 18.6 mm (0.7 in)
- ◐ Pg 13.5: 20.4 mm (0.8 in)
- ⊗ Pg 16: 22.5 mm (0.9 in)
- ⊙ Pg 21/11: 28.3/18.6 mm (1.1/0.7 in)
- ⊗ Pg 29/16: 37/22.5 mm (1.5/0.9 in)
- ◐ Pg 36/29: 47/37 mm (1.9/1.5 in)

### Possibility of mounting cable-gland plates on Spacial S3DC enclosures

Enclosure catalog number	Height: mm (in.)	Width: mm (in.)	Depth: mm (in.)	NSYTSACRNA	NSYTSACRNB	NSYTSACRNC	NSYTSACRND
NSYS3DC3215	300 (11.8)	200 (7.9)	150 (5.9)	-	-	-	-
NSYS3DC3315	300 (11.8)	300 (11.8)	150 (5.9)	•	•	-	-
NSYS3DC3320	300 (11.8)	300 (11.8)	200 (7.9)	•	•	-	-
NSYS3DC4315	400 (15.7)	300 (11.8)	150 (5.9)	•	•	-	-
NSYS3DC4320	400 (15.7)	300 (11.8)	200 (7.9)	•	•	-	-
NSYS3DC4420	400 (15.7)	400 (15.7)	200 (7.9)	•	•	•	-
NSYS3DC5420	500 (19.7)	400 (15.7)	200 (7.9)	•	•	•	-
NSYS3DC5425	500 (19.7)	400 (15.7)	250 (9.8)	•	•	•	-
NSYS3DC5520	500 (19.7)	500 (19.7)	200 (7.9)	•	•	•	•
NSYS3DC5525	500 (19.7)	500 (19.7)	250 (9.8)	•	•	•	•
NSYS3DC6420	600 (23.6)	400 (15.7)	200 (7.9)	•	•	•	-
NSYS3DC6425	600 (23.6)	400 (15.7)	250 (9.8)	•	•	•	-
NSYS3DC6620	600 (23.6)	600 (23.6)	200 (7.9)	•	•	•	•
NSYS3DC6625	600 (23.6)	600 (23.6)	250 (9.8)	•	•	•	•
NSYS3DC6630	600 (23.6)	600 (23.6)	300 (11.8)	•	•	•	•
NSYS3DC7525	700 (27.6)	500 (19.7)	250 (9.8)	•	•	•	•
NSYS3DC8620	800 (31.5)	600 (23.6)	200 (7.9)	•	•	•	•
NSYS3DC8625	800 (31.5)	600 (23.6)	250 (9.8)	•	•	•	•
NSYS3DC8630	800 (31.5)	600 (23.6)	300 (11.8)	•	•	•	•
NSYS3DC8640	800 (31.5)	600 (23.6)	400 (15.7)	•	•	•	•
NSYS3DC8825	800 (31.5)	800 (31.5)	250 (9.8)	•	•	•	•
NSYS3DC8830	800 (31.5)	800 (31.5)	300 (11.8)	•	•	•	•
NSYS3DC10625	1000 (39.4)	600 (23.6)	250 (9.8)	•	•	•	•
NSYS3DC10825	1000 (39.4)	800 (31.5)	250 (9.8)	•	•	•	•
NSYS3DC10830	1000 (39.4)	800 (31.5)	300 (11.8)	•	•	•	•
NSYS3DC10840	1000 (39.4)	800 (31.5)	400 (15.7)	•	•	•	•
NSYS3DC101030	1000 (39.4)	1000 (39.4)	300 (11.8)	•	•	•	•
NSYS3DC12830	1200 (47.2)	800 (31.5)	300 (11.8)	•	•	•	•
NSYS3DC12840	1200 (47.2)	800 (31.5)	400 (15.7)	•	•	•	•
NSYS3DC121030	1200 (47.2)	1000 (39.4)	300 (11.8)	•	•	•	•



Mounting scheme for steel Spacial S3DC enclosures.

**Dimensions of cable-gland plate: mm (in.)**

- NSYTSACRNA: 223 × 105 (8.8 × 4.1 in.)
- NSYTSACRNB: 259 × 105 (10.2 × 4.1 in.)
- NSYTSACRNC: 360 × 163 (14.2 × 6.4 in.)
- NSYTSACRND: 460 × 163 (18.1 × 6.4 in.)

Max.: mm (in.)				
A	B	H	I	R
223 (8.8)	105 (4.1)	180 (7.1)	62 (2.4)	18 (0.7)
259 (10.2)	105 (4.1)	216 (8.5)	62 (2.4)	18 (0.7)
360 (14.2)	163 (6.4)	317 (12.5)	120 (4.7)	32 (1.3)
460 (18.1)	163 (6.4)	417 (16.4)	120 (4.7)	32 (1.3)

# Disconnect enclosures

## Overview

### S3DCD Disconnect enclosure

3

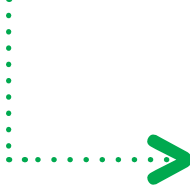
#### Useful life

Quality of the welding and the coating.



#### Easy handling

- Reusable, eco-friendly packaging.
- No sharp corners.



#### Easy maintenance

- Removable hinges.
- 1 lock command.



#### Added value to your work

- Quality and aesthetics.

# Disconnect enclosures

## Overview



### Application

- Designed to house the following enclosure disconnect equipment:
  - **Square D®** class 9422 disconnect switches with flange-mounted variable depth operating mechanisms or cable mechanisms and Class 9422 flange-mounted variable depth operating mechanisms or cable mechanisms for circuit breakers. Will not accept Square D Class 9422 bracket-mounted disconnect devices, 9422TG1 or TG2 devices (contact us).
  - **ABB Controls** flange-mounted variable depth operating mechanism for disconnect switches and circuit breakers.
  - **Allen Bradley** 1494V variable depth flange-mounted disconnect switches and circuit breaker operators. Will not accept Allen Bradley 1494F disconnect switches, 1494D circuit breaker operators.
  - **C-H Westinghouse** C361 flange-mounted variable depth operating mechanism with disconnect switches and C371 flange-mounted variable depth operating mechanisms for circuit breakers. Also Flex-Shaft handle mechanisms for circuit breakers.
  - **General Electric** Type STDA flange handles and variable depth operating mechanism for disconnect switches and circuit breakers. Also Spectra-Flex cable operators for circuit breakers.
  - **I-T-E Max-Flex** flange-mounted variable depth handles for disconnect switches and circuit breakers.



### Ordering

The disconnect switch, operating handle, and operating mechanism must be ordered from the disconnect equipment supplier.

# Disconnect enclosures

## Characteristics



3

### S3DCD disconnect enclosure: our wall-mounting circuit breaker interlocking enclosure

- Three-point lock enclosure with plain door.
- Structured finish, epoxy-polyester powder, RAL 7035 gray color.
- IP66 for the single-door enclosures, according to IEC 60529.
- UL/NEMA rated 4, 4X for the single-door enclosures according to NEMA 250 and UL 50E.
- IK10 for the plain-door enclosures, according to IEC 62262.

### Technical characteristics

#### Enclosure body

- Single-piece body (cross-shaped structure). Gutter-shaped front profile with double fold. Flat rear.
- 4 (or 6\*\*) M8 × 25 shouldered backstuds for installing mounting plates and step slides, leaving a space of 10 mm (0.4 in.) behind them.
- M6 × 16 grounding screws for equipotential connection between the door and the body of the enclosure.
- Four direct wall-mounting drill holes [Ø 10 mm (0.4 in.)] are sealed with plugs to maintain the degree of protection. Or mount with lugs installed from the outside (lugs ordered separately, see page 3/36).

#### Enclosure door

- Wall-mounting enclosure supplied with screwdriver insert lock as standard. Polyurethane door gasket.
- M6 × 16 grounding screws for equipotential connection between the door and the body of the enclosure.
- Easily removable, with 20-mm (0.8 in.) return with double thickness for excellent rigidity, opening to 120°, equipped with 2 or 3 invisible hinges\*.
- Door opening to 180° with optional hinges (page 3/27).
- For heights from 600 mm (23.6 in.), three linked locking points with a single control point. Maximum load: 50 kg/m<sup>2</sup>.
- Perforated rails on the door, with drill holes with a diameter of 4.2 mm (0.2 in.) in steps of 25 mm (1.0 in.):
  - 1 vertical rail from the height of 500 mm (19.7 in.) on the side with the hinges.
  - 1 vertical rail and 2 horizontal rails from the width of 800 mm (31.5 in.).
- Load on door, see page 3/19.

#### Standards

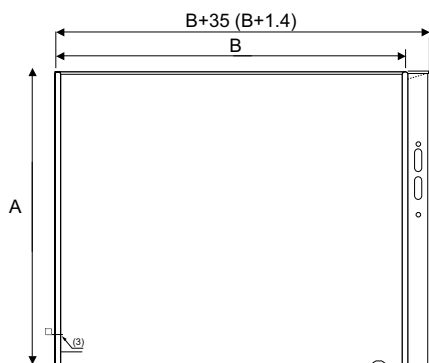
Compliance with enclosure standards IEC 62208 and UL 508A. Environmental testing to UL 50E.

The Spacial S3DCD wall-mounting enclosures are compliant with the RoHS directive.

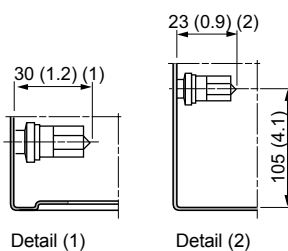
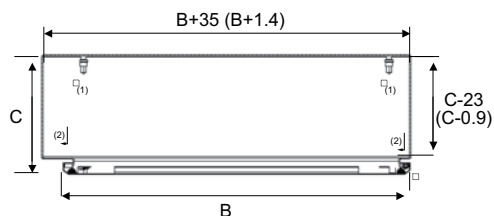
# Disconnect enclosures

## Dimensions

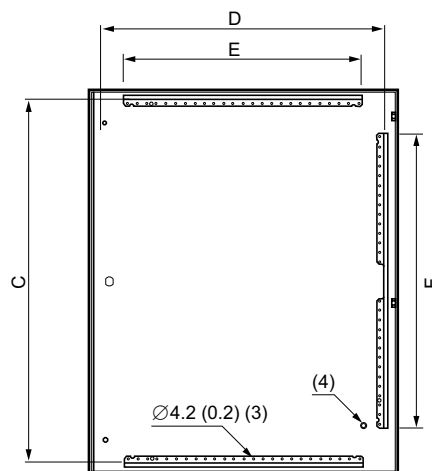
A: Enclosure height  
 B: Enclosure width  
 C: Enclosure depth



(1) 4 or 6 M8 × 25 mm (1.0 in.) backstuds with widths 1000 to 1200 mm (39.4 to 47.2 in.).  
 (2) 2 M6 × 17.5 mm (0.7 in.) grounding studs.



(3) Perforations in steps of 25 mm (1.0 in.).  
 (4) 1 M6 × 17.5 mm (0.7 in.) grounding stud.



Ø1 vertical rail beginning with height 500 mm (19.7 in.).  
 Ø2 vertical rails beginning with width 800 mm (31.5 in.).



The DXF diagrams can be downloaded from our website.





# Disconnect enclosures






## Selection guide



3

Height (mm)	Width (mm)	Depth (mm)	Height (in.)	Width (in.)	Depth (in.)	Number of doors	IP	Weight of empty enclosures: kg (lbs)	Catalog number
500	500	200	19.69	19.69	7.87	1	66	11.50 (25.4)	<b>NSYS3DCD5520</b>
600	600	200	23.62	23.62	7.87	1	66	14.40 (31.7)	<b>NSYS3DCD6620</b>
700	500	200	27.56	19.69	7.87	1	66	14.80 (32.6)	<b>NSYS3DCD7520</b>
800	600	200	31.50	23.62	7.87	1	66	21.40 (47.2)	<b>NSYS3DCD8620</b>
1000	600	200	39.37	23.62	7.87	1	66	27.80 (61.3)	<b>NSYS3DCD10620</b>
1000	800	200	39.37	31.50	7.87	1	66	34.80 (76.7)	<b>NSYS3DCD10820</b>
1000	1000	300	39.37	39.37	11.81	1	66	46.40 (102.3)	<b>NSYS3DCD101030</b>
1200	1000	300	47.24	39.37	11.81	1	66	53.40 (117.7)	<b>NSYS3DCD121030</b>

### Installation accessories

	Description	Catalog number	
	Set of 4 steel mounting lugs	<b>NSYAEFPFSC</b>	
	Set of 4 stainless-steel mounting lugs	<b>NSYAEFPFXSC</b>	
	Kit for heavy loads	<b>NSYAEFAHLBSC</b>	
	Batch of 2 M8 eyebolts	<b>NSYAELYTCRG8</b>	
	Description	Width: mm (in.)	Catalog number
	Full-width mounting lugs	200 (7.9)	<b>NSYAEFPFS3DW20</b>
		300 (11.8)	<b>NSYAEFPFS3DW30</b>
		400 (15.7)	<b>NSYAEFPFS3DW40</b>
		500 (19.7)	<b>NSYAEFPFS3DW50</b>
		600 (23.6)	<b>NSYAEFPFS3DW60</b>
		800 (31.5)	<b>NSYAEFPFS3DW80</b>
		1000 (39.4)	<b>NSYAEFPFS3DW100</b>

# Disconnect enclosures

## Selection guide





	Plain mounting plate painted white	Plain mounting plate galvanized	Microperforated mounting plate galvanized	Aluminum upright*	Perforated Telequick**	Adjustable brackets
	NSYMM55WH	NSYMM55	NSYMF55	NSYMDVR5	NSYMR55	NSYSDCR200
	NSYMM66WH	NSYMM66	NSYMF66	NSYMDVR6	NSYMR66	NSYSDCR200
	NSYMM75WH	NSYMM75	NSYMF75	NSYMDVR7	NSYMR75	NSYSDCR200
	NSYMM86WH	NSYMM86	NSYMF86	NSYMDVR8	NSYMR86	NSYSDCR200
	NSYMM106WH	NSYMM106	NSYMF106	NSYMDVR10	NSYMR106	NSYSDCR200
	NSYMM108WH	NSYMM108	NSYMF108	NSYMDVR10	NSYMR108	NSYSDCR200
	NSYMM1010WH	NSYMM1010	NSYMF1010	NSYMDVR10	NSYMR1010	NSYSDCR200
	NSYMM1210WH	NSYMM1210	NSYMF1210	NSYMDVR12	NSYMR1210	NSYSDCR200

\*NSYAMCSF mandatory.


\*\*NSYEMR mandatory for enclosure width > 1000 mm (39.4 in.).



### Door accessories

	Description	Catalog number
	Steel door retainer for S3DC steel enclosure	NSYAEDRSCST
	Grounding lead 160, sec. 6²	NSYEL166D8

### Mounting

	Description	Catalog number
	Self-tapping screw for microperforated mounting plate	NSYS13M5HS

# The steel enclosure suited to your electromagnetic protection needs

3



Enclosure delivered with solid mounting plate.

- Single-piece metal enclosures made from special sheets of Aluzinc 150.
- The presence of 55% aluminum on the surface of the sheet metal helps ensure good reflection of electromagnetic waves.
- Painted on the outside with epoxy-polyester resin, RAL 7035 gray, structured.

## Technical characteristics

- Protection degree: IP55, according to IEC 60529.
- Resistance to external mechanical impacts: IK10.

### Enclosure body

- Single-piece body, folded and welded.
- Entirely sealed body with no cable entry and no opening.
- Equipped with four shouldered backstuds allowing direct mounting of the mounting plate:
  - Built-in plain mounting plate made from galvanized sheet steel (potential reference sheet).
  - Its low resistivity promotes ground continuity.
  - Direct mounting or using wall-mounting lugs, catalog number **NSYPFCR** (ordered separately).

### Enclosure door

- The special body-door gasket (IP + EMC) provides, in addition to water and dust tightness, electric continuity between the door and the body of the enclosure.
- The metal lock with ground continuity helps improve the general shielding.
- A grounding braid added to the enclosure between the body and the door maintains a good ground connection and, consequently, good electromagnetic compatibility.
- Enclosures are delivered with a 3 mm (0.1 in.) double-bar lock as a standard.

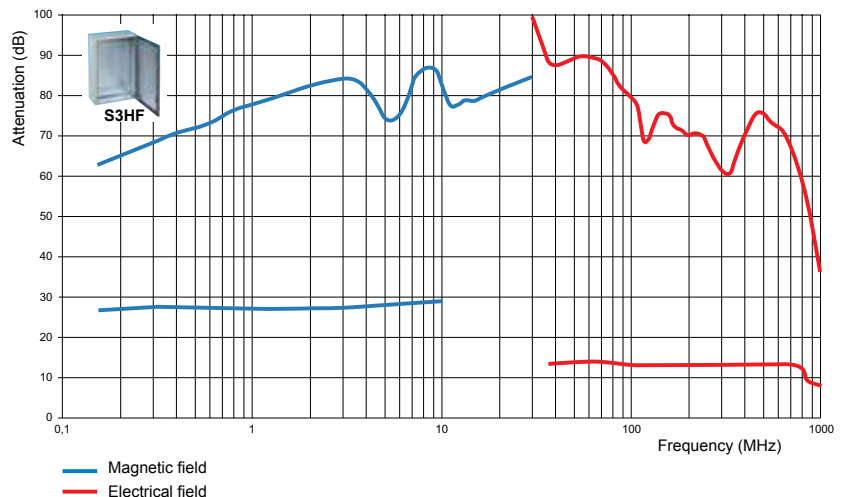
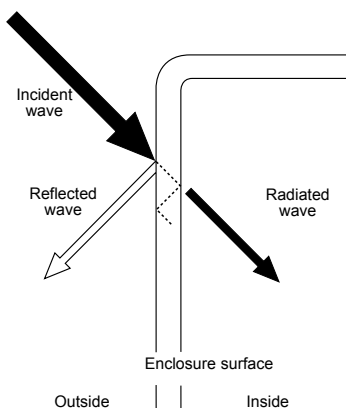
For other sizes, contact us.

Dimensions						Fig.	Weight: kg (lbs)	Catalog number
(mm)			(Inches)					
Height	Width	Depth	Height	Width	Depth			
400	300	200	15.75	11.81	7.87	1	7.5 (16.5)	<b>NSYS3HF4320P</b>
400	600	200	15.75	23.62	7.87	1	13.0 (28.7)	<b>NSYS3HF4620P</b>
500	400	200	19.69	15.75	7.87	2	11.5 (25.4)	<b>NSYS3HF5420P</b>
600	400	200	23.62	15.75	7.87	2	13.0 (28.7)	<b>NSYS3HF6420P</b>
600	600	250	23.62	23.62	9.84	2	20.5 (45.2)	<b>NSYS3HF6625P</b>
700	500	250	27.56	19.69	9.84	2	19.0 (41.9)	<b>NSYS3HF7525P</b>
800	600	300	31.50	23.62	11.81	2	32.8 (72.3)	<b>NSYS3HF8630P</b>
1000	800	300	39.37	31.50	11.81	2	53.2 (117.3)	<b>NSYS3HF10830P</b>
1200	800	300	47.24	31.50	11.81	2	59.0 (130.1)	<b>NSYS3HF12830P</b>

Mounting lugs, catalog number **NSYPFCR**, ordered separately (1 set of 4 lugs).

## Attenuation of the Spacial S3HF enclosure

The graph below shows the attenuation curves (dB) according to the frequency (MHz). For general information on electromagnetic compatibility, see pages 9/14 to 9/16.



# Electromagnetic protected enclosures

## Dimensions

A = Height.  
B = Width.  
C = Depth.

Figure 1

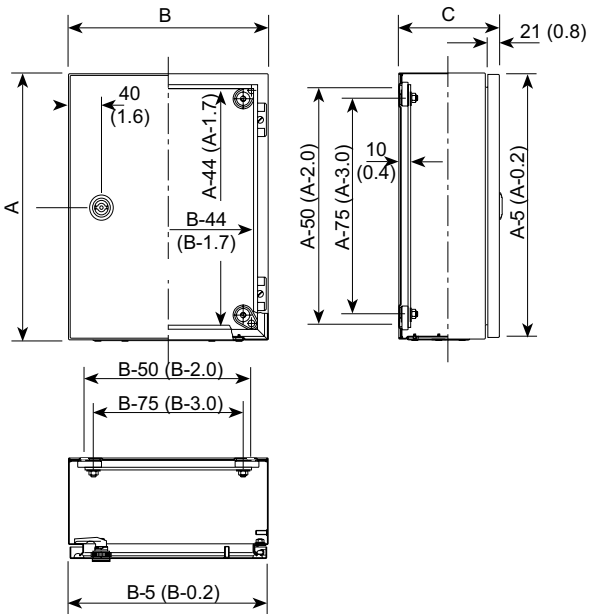
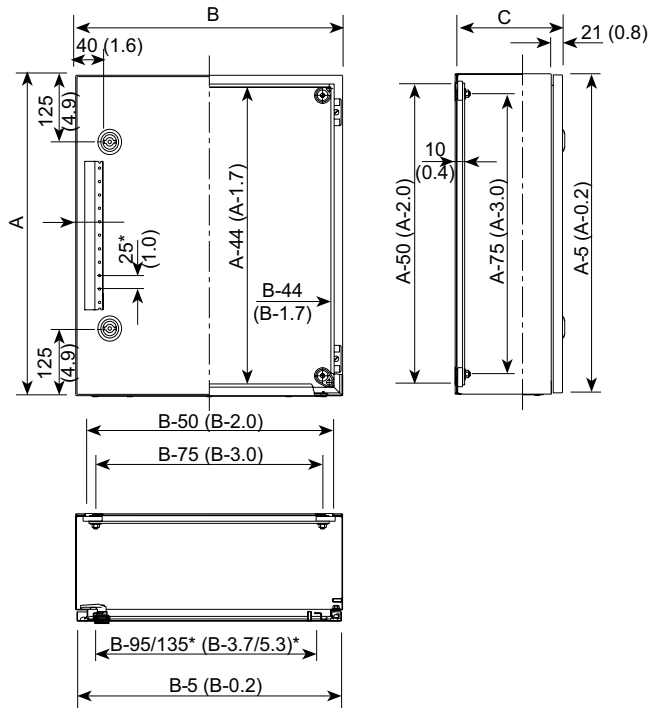


Figure 2



\* Model 1200 × 800.



See also  
these accessories

Door accessories  
Page 8/94

Rails  
Page 8/48

Ventilation  
Page 7/20

# Spacial CRN and CRNG Steel wall-mounting enclosures

3

## Durable

- Industrial welding process.
- Epoxy-polyester painting.
- Foamed-in polyurethane gasket.

These details help ensure quality, water and dust tightness for years.

## Water and Dust Tight

Folded front gutter helps prevent the entry of water, oil or liquids, ensuring IP66 protection.

## Protection

For people:

- Two welded M6 × 15 ground studs welded to the back and one M6 × 15 stud on the door.

For your installation:

- Water and dust tight IP66 protection.
- Rugged IK10 protection helps protect your component from external impact
- Hidden hinges to prevent the removal of the door.



## Convenient

- Large embedded cable-entry plate with a neoprene seal, flush with the back of the enclosure.
- Mount directly or use mounting brackets attached to the outside of the enclosure.

## Smart

Welded door-reinforcement profile allows mounting equipment in models from 500 mm (19.7 in) high.

## Practical

4 welded M8 × 15 back studs shouldered 10 mm (0.4 in.) for direct installation of mounting plate.

## Sealed

Glazed tempered-glass door is fully water and dust tight, maintaining IP66 and IK08 protection.



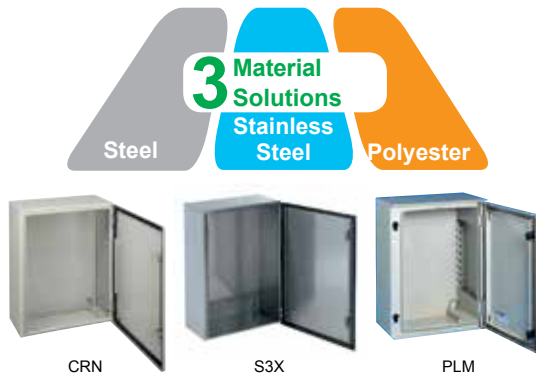
## New aesthetics

- Enclosure in light gray RAL 7035.
- Black lock to fit all your applications.

# Universal offer

## Introduction

### The universal offer



**You need an enclosure for an indoor non-clean industrial environment.**

- **Our answer:**  
The Spacial steel range.

**You need an enclosure for a demanding industrial environment.**

- **Our answer:**  
The Spacial stainless-steel range.

**You need an enclosure for infrastructure and harsh industrial environments.**

- **Our answer:**  
The Thalassa polyester range.



### Spacial CRN

- A complete offer in 39 sizes from 200 × 200 × 150 mm (7.9 × 7.9 × 5.9 in.) to 1000 × 800 × 300 mm (39.4 × 31.5 × 11.8 in.):
  - With plain door and plain mounting plate.
  - With plain door, without plain mounting plate.
  - With glazed door, without plain mounting plate.
- Degree of protection IP66.
- Compliance with standard IEC 62208.
- A wide range of accessories to fit all your applications.

### Spacial CRNG

- A complete three-point locking system offer in 17 sizes from 800 × 600 × 400 mm (31.5 × 23.6 × 15.7 in.) to 1400 × 1000 × 300 mm (55.1 × 39.4 × 11.8 in.):
  - With plain door, without plain mounting plate.
  - With glazed door, without plain mounting plate.
- Degree of protection IP66 (IP55 for 2-door enclosures).
- Compliance with standard IEC 62208.
- A wide range of accessories to fit to all your applications.



# Universal offer

## Introduction

3

Spacial CRN



Page 3/43

Spacial CRNG



Page 3/46

Spacial S3HF - EMC Enclosure



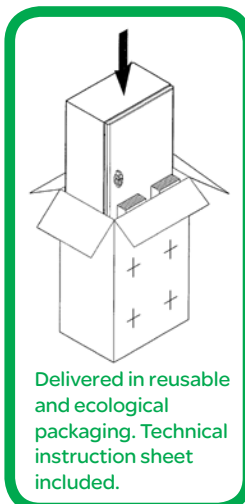
Page 3/38



For harsh environments

# Wall-mounting steel enclosures

## Characteristics



Delivered in reusable and ecological packaging. Technical instruction sheet included.

### Technical characteristics

- This metal monobloc suite of enclosures comes in 39 sizes with sides made from a single folded section. The back piece is joined to the sides using a special profile forming a protected sealed area. Both externally and internally painted with texturized RAL 7035 gray epoxy-polyester resin.
- Given their strength, metal enclosures are particularly well suited to indoor areas where they may experience impacts.
- Selection guide: See page 3/50.

### Description

- IP66 protection for one-door enclosures according to IEC 60529.
- IK10 protection for plain door according to IEC 62262.
- IK08 protection for glazed door according to IEC 62262.

### Enclosure body

- 4 holes for direct mounting.
- Wall-mounting drill holes sealed with plastic plugs to help ensure the degree of protection (supplied as standard).
- Wall-mounting bracket mounted from outside (brackets ordered separately).
- Direct cable entry.
- Built-in cable-entry plate, flush with the back of the enclosure (without foamed-in gasket to facilitate machining).
- Insulated cable entries with knock-outs, available as an accessory.
- Easy to equip with 4 welded back studs shouldered 10 mm (0.4 in.).

### Enclosure door

- Monobloc construction with a punched metal door (not welded).
- 3-mm standard double-bar lock as standard. See page 3/62 for a wide selection of insert accessories.
- Foamed-in polyurethane gasket on the doors to guarantee water and dust tightness for many years.
- Easily reversible door, mounted with two or three invisible hinges allowing the door to open to 120°.
- Reinforcement on plain doors with perforated door profiles for mounting equipment available on models from NSYCRN54150.
- Welded ground studs on door and body.
- Delivered with reusable packaging and technical instructions.

### Certificates

- Compliance with European enclosure standard 62208.
- UL, CUL.
- NEMA 4 for single-door enclosure according to NEMA 250.
- NEMA 12, 12K and 13 for double-door enclosure according to NEMA 250.
- RoHS compliance.



# Wall-mounting steel enclosures Dimensions

A Enclosure height  
B Enclosure width  
C Enclosure depth

Fig. 1

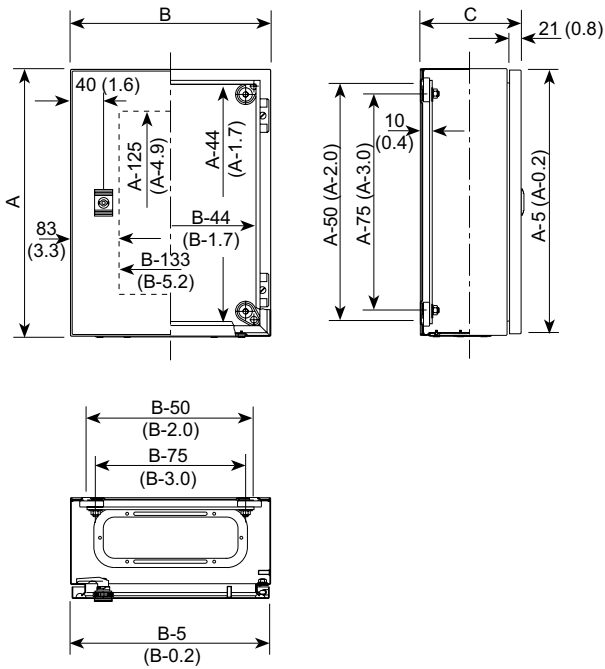
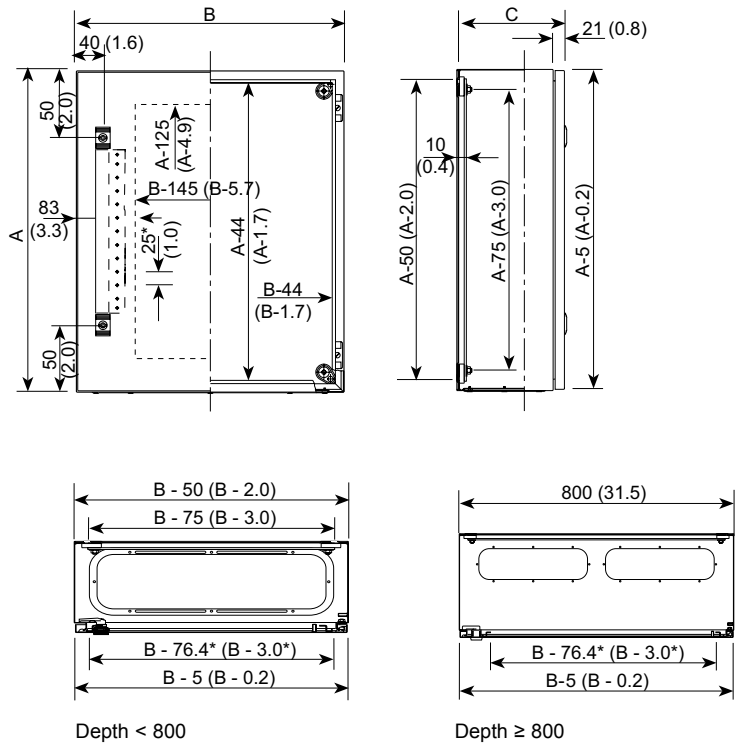
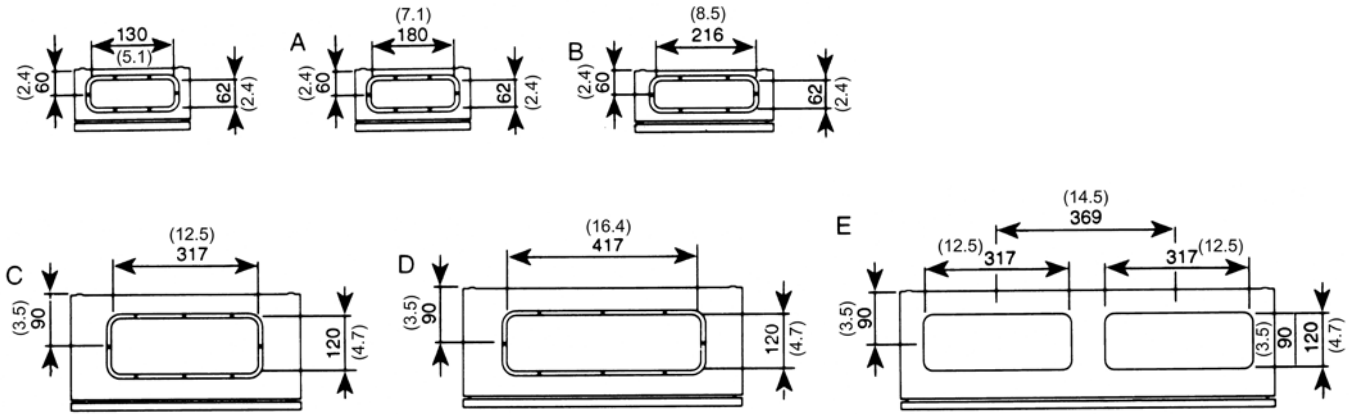


Fig. 2



Spacial CRN cable entry dimensions and type:



None of the glazed-door enclosures have door-reinforcement profiles.



Our DXF diagrams and technical instruction sheets can be downloaded from our website.

# Wall-mounting steel enclosures with three-point locking system

## Characteristics

3



### Technical characteristics

- This metal construction suite of enclosures, made from a single cross-shaped folded section, is available in 15 sizes. Both externally and internally painted with texturized RAL 7035 gray epoxy-polyester resin. All Spacial CRNG models include a three-point locking system.
- Given their strength, metal enclosures are particularly well suited to indoor areas where they may experience impacts.
- Selection guide: See page 3/50.

### Description

- IP66 protection for one-door enclosures, IP55 protection for two-door enclosures according to IEC 60529.
- IK10 protection for plain door according to IEC 62262.
- IK08 protection for glazed door according to IEC 62262.

### Enclosure body

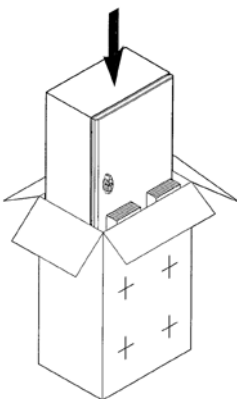
- 4 holes for direct mounting.
- Wall-mounting drill holes sealed with plastic plugs to help ensure water and dust tightness (supplied as standard).
- Wall-mounting lugs mounted from outside, specific for large dimensions (ordered separately). See page 3/56.
- Built-in cable-entry plate, flush with the back of the enclosure (without foamed-in gasket to facilitate machining).
- Easy to equip with 4 welded back studs shouldered 10 mm (0.4 in.) [6 for widths of 1000 and 1200 mm (39.4 and 47.2 in.)].
- Welded ground studs on door and body.

### Enclosure door

- Three-point locking system for one and two doors. Standard 5-mm (0.2 in.) double-bar lock.
- Metal hinges for easily reversible door.
- Door-centering piece on two-door enclosures to help ensure proper door alignment.
- Foamed-in polyurethane gasket on the doors to help ensure water and dust tightness for many years.
- Delivered with reusable packaging and technical instructions.

### Certificates

- Compliance with European enclosure standard IEC 62208.
- UL, CUL.
- NEMA 4 for single-door enclosure according to NEMA 250.
- NEMA 12, 12K and 13 for double-door enclosure according to NEMA 250.
- RoHS compliance.

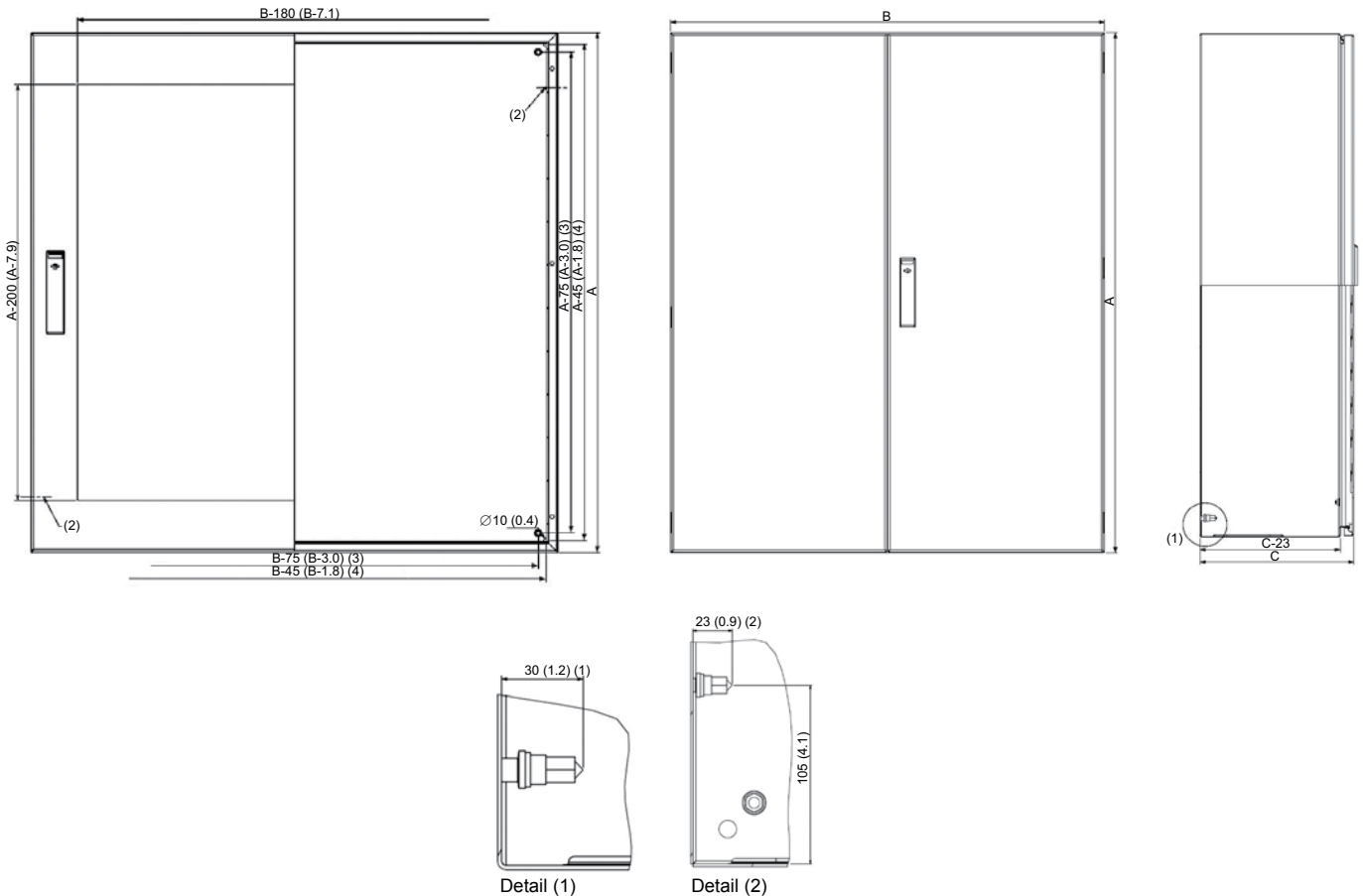


Delivered in reusable and ecological packaging. Technical instruction sheet included.

# Wall-mounting steel enclosures with three-point locking system

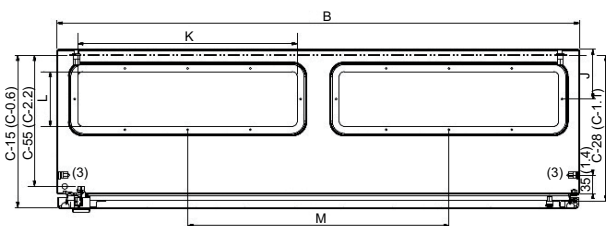
## Dimensions

A Enclosure height  
 B Enclosure width  
 C Enclosure depth

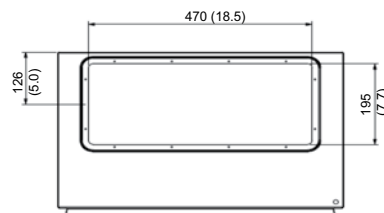


3

**Cable entry type H: enclosure width  $\geq 800$  mm (31.5 in.)**



**Cable entry type G: enclosure width 600 mm (23.6 in.)**



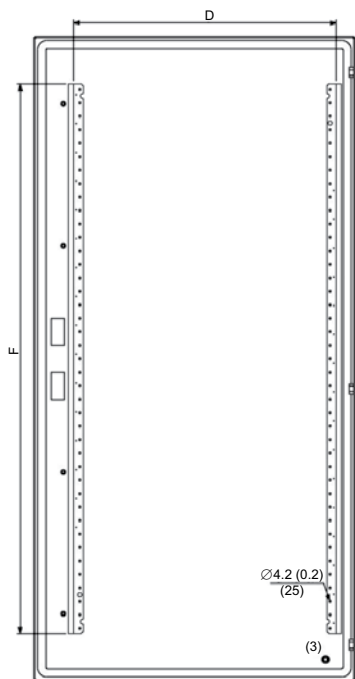
Enclosure					
Width (B)	Depth (C)	J	K	L	M
600 (23.6)	300 (11.8) - 400 (15.7)	126 (5.0)	470 (18.5)	195 (7.7)	-
800 (31.5)	300 (11.8) - 400 (15.7)	95 (3.7)	320 (12.6)	105 (4.1)	400 (15.7)
1000 (39.4) (5)	300 (11.8)	125 (4.9)	420 (16.5)	105 (4.1)	500 (19.7)
1000 (39.4)	300 (11.8) - 400 (15.7)	95 (3.7)	420 (16.5)	105 (4.1)	500 (19.7)
1200 (47.2)	300 (11.8)	95 (3.7)	420 (16.5)	105 (4.1)	500 (19.7)
1200 (47.2)	400 (15.7)	125 (4.9)	420 (16.5)	105 (4.1)	600 (23.6)

- (1) Four M8 × 25 back studs.
- (2) Two M6 × 17.5 ground studs.
- (3) Spacing between the studs.
- (4) Spacing between the perforations for direct mounting.
- (5) Only models 1400 × 1000 × 300 mm (55.1 × 39.4 × 11.8 in.).

# Wall-mounting steel enclosures with three-point locking system

## Dimensions

3



### Dimensions of the door-reinforcement profiles (1).

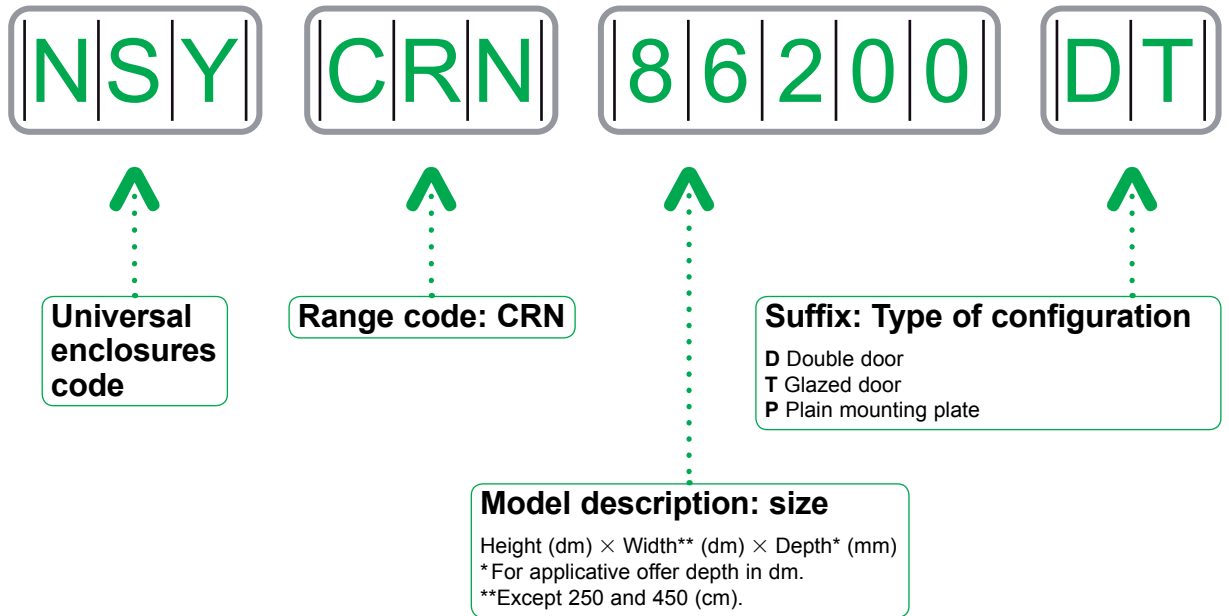
1-door enclosure: mm (in.)		Reinforcement profile: mm (in.)	
Height (A)	Width (B)	F	D
800 (31.5)	600 (23.6)	620 (24.4)	487 (19.2)
1000 (39.4)	600 (23.6)	820 (32.3)	487 (19.2)
1000 (39.4)	800 (31.5)	820 (32.3)	687 (27.0)
1200 (47.2)	600 (23.6)	1020 (40.2)	480 (18.9)
1200 (47.2)	800 (31.5)	1020 (40.2)	687 (27.0)

2-door enclosure: mm (in.)		Reinforcement profile: mm (in.)			
Height (A)	Width (B)	Right Door		Left Door	
		F	D	F	D
800 (31.5)	1000 (39.4)	620 (24.4)	387 (15.2)	620 (24.4)	437 (17.2)
800 (31.5)	1200 (47.2)	620 (24.4)	487 (19.2)	620 (24.4)	537 (21.1)
1000 (39.4)	1000 (39.4)	820 (32.3)	387 (15.2)	820 (32.3)	437 (17.2)
1000 (39.4)	1200 (47.2)	820 (32.3)	487 (19.2)	820 (32.3)	537 (21.1)
1200 (47.2)	1000 (39.4)	1020 (40.2)	387 (15.2)	1020 (40.2)	437 (17.2)
1200 (47.2)	1200 (47.2)	1020 (40.2)	487 (19.2)	1020 (40.2)	537 (21.1)
1400 (55.1)	1000 (39.4)	1020 (40.2)	387 (15.2)	1020 (40.2)	437 (17.2)

- (1) The glazed doors only include vertical profiles.
- (2) 25-mm passage.
- (3) 1 M6 × 17.5 ground stud.



Download our DXF diagrams from our website.



3



**Catalog numbers are based on the enclosure dimension. This allows you to quickly select the best choice for your installation.**

Example:

- You need a Spacial **CRN** wall-mounting enclosure.
- Height **600** × Width **400** × Depth **200** mm.



The catalog number will be **NSYCRN64200**.



**Do you only know the dimensions of the enclosure you need? It's easy to build a catalog number with that information.**

Example:

- You need a steel wall-mounting enclosure.
- Height **500** × Width **500** × Depth **250** mm with a **T**ransparent door (**T**).
- Our steel wall mounting enclosure is the Spacial **CRN**.



The catalog number will be **NSYCRN55250T**.



**Save time and avoid mistakes by checking your enclosure catalog number to order the right accessory.**

Example:

- You need a plain mounting plate for a Spacial **CRN** enclosure.
- Your enclosure catalog number is **NSY64250**.
- The code for a plain mounting plate: **NSYMM**.



The mounting plate catalog number will be **NSYMM64**.

# Wall-mounting steel enclosures

## Selection guide



3

CRN Wall-mounting steel enclosures										
Dimensions: mm (in.)			No. of doors	IP	Weight: kg (lbs) (1)	Plain door with mounting plate	Plain door without mounting plate	Tempered glass door without mounting plate	Plain	
H	W	D								
200 (7.9)	200 (7.9)	150 (5.9)	1	66	2.5 (5.5)	-	NSYCRN22150 (2)	-	NSYMM22	
200 (7.9)	300 (11.8)	150 (5.9)	1	66	3.9 (8.6)	-	NSYCRN23150 (2)	-	NSYMM32	
250 (9.8)	200 (7.9)	150 (5.9)	1	66	3.2 (7.1)	NSYCRN252150P	NSYCRN252150	-	NSYMM2520	
300 (11.8)	250 (9.8)	150 (5.9)	1	66	4.2 (9.3)	NSYCRN325150P	NSYCRN325150	NSYCRN325150T	NSYMM3025	
300 (11.8)	250 (9.8)	200 (7.9)	1	66	4.9 (10.8)	NSYCRN325200P	NSYCRN325200	NSYCRN325200T	NSYMM3025	
300 (11.8)	300 (11.8)	150 (5.9)	1	66	5 (11.0)	NSYCRN33150P	NSYCRN33150	NSYCRN33150T	NSYMM33	
300 (11.8)	300 (11.8)	200 (7.9)	1	66	6 (13.2)	NSYCRN33200P	NSYCRN33200	NSYCRN33200T	NSYMM33	
300 (11.8)	400 (15.7)	200 (7.9)	1	66	6.4 (14.1)	-	NSYCRN34200	NSYCRN34200T	NSYMM43	
300 (11.8)	450 (17.7)	150 (5.9)	1	66	6.7 (14.8)	-	NSYCRN345150 (2)	-	NSYMM3045	
400 (15.7)	300 (11.8)	150 (5.9)	1	66	6 (13.2)	NSYCRN43150P	NSYCRN43150	NSYCRN43150T	NSYMM43	
400 (15.7)	300 (11.8)	200 (7.9)	1	66	6.8 (15.0)	NSYCRN43200P	NSYCRN43200	NSYCRN43200T	NSYMM43	
400 (15.7)	400 (15.7)	200 (7.9)	1	66	8 (17.6)	NSYCRN44200P	NSYCRN44200	NSYCRN44200T	NSYMM44	
400 (15.7)	600 (23.6)	250 (9.8)	1	66	10 (22.0)	NSYCRN46250P	NSYCRN46250	NSYCRN46250T	NSYMM64	
400 (15.7)	600 (23.6)	300 (11.8)	1	66	11.2 (24.7)	NSYCRN46300P	NSYCRN46300	NSYCRN46300T	NSYMM64	
500 (19.7)	400 (15.7)	150 (5.9)	1	66	8.7 (19.2)	NSYCRN54150P	NSYCRN54150	NSYCRN54150T	NSYMM54	
500 (19.7)	400 (15.7)	200 (7.9)	1	66	9.8 (21.6)	NSYCRN54200P	NSYCRN54200	NSYCRN54200T	NSYMM54	
500 (19.7)	400 (15.7)	250 (9.8)	1	66	11 (24.3)	NSYCRN54250P	NSYCRN54250	NSYCRN54250T	NSYMM54	
500 (19.7)	500 (19.7)	250 (9.8)	1	66	12.8 (28.2)	NSYCRN55250P	NSYCRN55250	NSYCRN55250T	NSYMM55	
600 (23.6)	400 (15.7)	150 (5.9)	1	66	9.3 (20.5)	NSYCRN64150P	NSYCRN64150	NSYCRN64150T	NSYMM64	
600 (23.6)	400 (15.7)	200 (7.9)	1	66	10.8 (23.8)	NSYCRN64200P	NSYCRN64200	NSYCRN64200T	NSYMM64	
600 (23.6)	400 (15.7)	250 (9.8)	1	66	12.3 (27.1)	NSYCRN64250P	NSYCRN64250	NSYCRN64250T	NSYMM64	
600 (23.6)	500 (19.7)	150 (5.9)	1	66	11.3 (24.9)	NSYCRN65150P	NSYCRN65150	NSYCRN65150T	NSYMM65	
600 (23.6)	500 (19.7)	200 (7.9)	1	66	14.3 (31.5)	NSYCRN65200P	NSYCRN65200	NSYCRN65200T	NSYMM65	
600 (23.6)	500 (19.7)	250 (9.8)	1	66	16.2 (35.7)	NSYCRN65250P	NSYCRN65250	NSYCRN65250T	NSYMM65	
600 (23.6)	600 (23.6)	200 (7.9)	1	66	16.3 (35.9)	-	NSYCRN66200	NSYCRN66200T	NSYMM66	
600 (23.6)	600 (23.6)	250 (9.8)	1	66	18.2 (40.1)	NSYCRN66250P	NSYCRN66250	NSYCRN66250T	NSYMM66	
600 (23.6)	600 (23.6)	300 (11.8)	1	66	19.8 (43.7)	NSYCRN66300P	NSYCRN66300	NSYCRN66300T	NSYMM66	
600 (23.6)	800 (31.5)	300 (11.8)	1	66	26 (57.3)	-	NSYCRN68300	NSYCRN68300T	NSYMM86	
700 (27.6)	500 (19.7)	200 (7.9)	1	66	17.3 (38.1)	NSYCRN75200P	NSYCRN75200	NSYCRN75200T	NSYMM75	
700 (27.6)	500 (19.7)	250 (9.8)	1	66	19.3 (42.5)	NSYCRN75250P	NSYCRN75250	NSYCRN75250T	NSYMM75	
800 (31.5)	600 (23.6)	200 (7.9)	1	66	21.8 (48.1)	NSYCRN86200P	NSYCRN86200	NSYCRN86200T	NSYMM86	
800 (31.5)	600 (23.6)	250 (9.8)	1	66	24.8 (54.7)	NSYCRN86250P	NSYCRN86250	NSYCRN86250T	NSYMM86	
800 (31.5)	600 (23.6)	300 (11.8)	1	66	26.3 (58.0)	NSYCRN86300P	NSYCRN86300	NSYCRN86300T	NSYMM86	
800 (31.5)	800 (31.5)	200 (7.9)	1	66	29.5 (65.0)	NSYCRN88200P	NSYCRN88200	NSYCRN88200T	NSYMM88	
800 (31.5)	800 (31.5)	300 (11.8)	1	66	32.5 (71.7)	NSYCRN88300P	NSYCRN88300	NSYCRN88300T	NSYMM86	
1000 (39.4)	600 (23.6)	250 (9.8)	1	66	28.4 (62.6)	NSYCRN106250P	NSYCRN106250	NSYCRN106250T	NSYMM106	
1000 (39.4)	600 (23.6)	300 (11.8)	1	66	30.6 (67.5)	NSYCRN106300P	NSYCRN106300	NSYCRN106300T	NSYMM106	
1000 (39.4)	800 (31.5)	250 (9.8)	1	66	34.5 (76.1)	NSYCRN108250P	NSYCRN108250	NSYCRN108250T	NSYMM108	
1000 (39.4)	800 (31.5)	300 (11.8)	1	66	37.4 (82.5)	NSYCRN108300P	NSYCRN108300	NSYCRN108300T	NSYMM108	
CRNG Wall-mounting steel enclosures with 3-point locking system						Page 3/46				
800 (31.5)	600 (23.6)	400 (15.7)	1	66	30 (66.1)	-	NSYCRNG86400	NSYCRNG86400T	NSYMM86	
800 (31.5)	1000 (39.4)	300 (11.8)	2	55	40 (88.2)	-	NSYCRNG810300D	-	NSYMM108	
800 (31.5)	1200 (47.2)	300 (11.8)	2	55	46 (101.4)	-	NSYCRNG812300D	-	NSYMM128	
1000 (39.4)	600 (23.6)	400 (15.7)	1	66	36 (79.4)	-	NSYCRNG106400	NSYCRNG106400T	NSYMM106	
1000 (39.4)	800 (31.5)	400 (15.7)	1	66	43 (94.8)	-	NSYCRNG108400	NSYCRNG108400T	NSYMM108	
1000 (39.4)	1000 (39.4)	300 (11.8)	2	55	47 (103.6)	-	NSYCRNG1010300D	NSYCRNG1010300DT	NSYMM1010	
1000 (39.4)	1200 (47.2)	300 (11.8)	2	55	55 (121.3)	-	NSYCRNG1012300D	-	NSYMM1210	
1000 (39.4)	1200 (47.2)	400 (15.7)	2	55	60 (132.3)	-	NSYCRNG1012400D	-	NSYMM1210	
1200 (47.2)	600 (23.6)	300 (11.8)	1	66	37 (81.6)	-	NSYCRNG126300	NSYCRNG126300T	NSYMM126	
1200 (47.2)	600 (23.6)	400 (15.7)	1	66	42 (92.6)	-	NSYCRNG126400	NSYCRNG126400T	NSYMM126	
1200 (47.2)	800 (31.5)	300 (11.8)	1	66	45 (99.2)	-	NSYCRNG128300	NSYCRNG128300T	NSYMM128	
1200 (47.2)	800 (31.5)	400 (15.7)	1	66	50 (110.2)	-	NSYCRNG128400	NSYCRNG128400T	NSYMM128	
1200 (47.2)	1000 (39.4)	300 (11.8)	2	55	56 (123.5)	-	NSYCRNG1210300D	-	NSYMM1210	
1200 (47.2)	1000 (39.4)	400 (15.7)	2	55	61 (134.5)	-	NSYCRNG1210400D	-	NSYMM1210	
1200 (47.2)	1200 (47.2)	300 (11.8)	2	55	64 (141.1)	-	NSYCRNG1212300D	-	NSYMM1212	
1200 (47.2)	1200 (47.2)	400 (15.7)	2	55	90 (198.4)	-	NSYCRNG1212400D	-	NSYMM1212	
1400 (55.1)	1000 (39.4)	300 (11.8)	2	55	80 (176.4)	-	NSYCRNG1410300D	-	NSYMM1410	

(1) Enclosure without mounting plate.

(2) Two cable-gland plates: one on the top, one on the bottom.

(3) With two holes

# Spacial CRN - CRNG



	Microperforated	Telequick	Bakelite	DIN rails chassis	Step slides	Cable entry		
						Figure	Type of cable entry (6)	Standard cable-gland plate
	Page 8/3	Page 8/4	Page 8/5	Page 8/6	Page 8/7			Page 3/64
	-	-	-	-	-	1	0	NSYTLCRNO
	-	-	NSYMB32	-	-	1	B	NSYTLCRNB
	-	-	-	-	-	1	0	NSYTLCRNO
	-	NSYMR3025	NSYMB3025	-	-	1	A	NSYTLCRNA
	-	NSYMR3025	NSYMB3025	-	NSYSDCR200	1	A	NSYTLCRNA
	NSYMF33	NSYMR33	NSYMB33	NSYMD33	-	1	B	NSYTLCRNB
	NSYMF33	NSYMR33	NSYMB33	NSYMD33	NSYSDCR200	1	B	NSYTLCRNB
	NSYMF43	NSYMR34	NSYMB43	-	NSYSDCR200	1	C	NSYTLCRNC
	-	-	NSYMB43	-	-	1	B	NSYTLCRNB
	NSYMF43	NSYMR43	NSYMB43	NSYMD43	-	1	B	NSYTLCRNB
	NSYMF43	NSYMR43	NSYMB43	NSYMD43	NSYSDCR200	1	B	NSYTLCRNB
	NSYMF44	NSYMR44	-	-	NSYSDCR200	1	C	NSYTLCRNC
	NSYMF64	NSYMR46	NSYMB64	-	NSYSDCR250	1	D	NSYTLCRND
	NSYMF64	NSYMR46	NSYMB64	-	NSYSDCR300	1	D	NSYTLCRND
	NSYMF54	NSYMR54	NSYMB54	NSYMD54	-	2	B	NSYTLCRNB
	NSYMF54	NSYMR54	NSYMB54	NSYMD54	NSYSDCR200	2	C	NSYTLCRNC
	NSYMF54	NSYMR54	NSYMB54	NSYMD54	NSYSDCR250	2	C	NSYTLCRNC
	NSYMF55	NSYMR55	-	-	NSYSDCR250	2	D	NSYTLCRND
	NSYMF64	NSYMR64	NSYMB64	NSYMD64	-	2	B	NSYTLCRNB
	NSYMF64	NSYMR64	NSYMB64	NSYMD64	NSYSDCR200	2	C	NSYTLCRNC
	NSYMF64	NSYMR64	NSYMB64	NSYMD64	NSYSDCR250	2	C	NSYTLCRNC
	NSYMF65	NSYMR65	NSYMB65	-	-	2	B	NSYTLCRNB
	NSYMF65	NSYMR65	NSYMB65	-	NSYSDCR200	2	D	NSYTLCRND
	NSYMF65	NSYMR65	NSYMB65	-	NSYSDCR250	2	D	NSYTLCRND
	NSYMF66	NSYMR66	-	NSYMD66	NSYSDCR200	2	D	NSYTLCRND
	NSYMF66	NSYMR66	-	NSYMD66	NSYSDCR250	2	D	NSYTLCRND
	NSYMF66	NSYMR66	-	NSYMD66	NSYSDCR300	2	D	NSYTLCRND
	NSYMF86	NSYMR68	-	-	NSYSDCR300	2	E	NSYTLCRNC (3)
	NSYMF75	NSYMR75	NSYMB75	NSYMD75	NSYSDCR200	2	D	NSYTLCRND
	NSYMF75	NSYMR75	NSYMB75	NSYMD75	NSYSDCR250	2	D	NSYTLCRND
	NSYMF86	NSYMR86	NSYMB86	NSYMD86	NSYSDCR200	2	D	NSYTLCRND
	NSYMF86	NSYMR86	NSYMB86	NSYMD86	NSYSDCR250	2	D	NSYTLCRND
	NSYMF86	NSYMR86	NSYMB86	NSYMD86	NSYSDCR300	2	D	NSYTLCRND
	NSYMF88	NSYMR88	-	-	NSYSDCR200	2	E	NSYTLCRNC (3)
	NSYMF88	NSYMR88	-	-	NSYSDCR300	2	E	NSYTLCRNC (3)
	NSYMF106	NSYMR106	NSYMB106	-	NSYSDCR250	2	D	NSYTLCRND
	NSYMF106	NSYMR106	NSYMB106	-	NSYSDCR300	2	D	NSYTLCRND
	NSYMF108	NSYMR108	NSYMB108	NSYMD108	NSYSDCR250	2	E	NSYTLCRNC (3)
	NSYMF108	NSYMR108	NSYMB108	NSYMD108	NSYSDCR300	2	E	NSYTLCRNC (3)
	NSYMF86	NSYMR86	NSYMB86	NSYMD86	NSYSDCR400	3	G	NSYTLG
	NSYMF108	NSYMR810	-	-	NSYSDCR300	4	G	NSYTLG
	NSYMF128	2 × NSYMR86 (4)	-	-	NSYSDCR300 (5)	4	G	NSYTLG
	NSYMF106	NSYMR106	NSYMB106	-	NSYSDCR400	3	G	NSYTLG
	NSYMF108	NSYMR108	NSYMB108	NSYMD108	NSYSDCR400	3	G	NSYTLG
	NSYMF1010	NSYMR1010	NSYMB1210	-	NSYSDCR300	4	G	NSYTLG
	NSYMF1210	NSYMR1012	NSYMB1210	-	NSYSDCR300 (5)	4	G	NSYTLG
	NSYMF1210	NSYMR1012	-	-	NSYSDCR400 (5)	4	G	NSYTLG
	NSYMF126	NSYMR126	-	-	NSYSDCR300	3	G	NSYTLG
	NSYMF126	NSYMR126	-	-	NSYSDCR400	3	G	NSYTLG
	NSYMF128	NSYMR128	-	NSYMD128	NSYSDCR300	3	G	NSYTLG
	NSYMF128	NSYMR128	-	NSYMD128	NSYSDCR400	4	G	NSYTLG
	NSYMF1210	NSYMR1210	NSYMB1210	-	NSYSDCR300	4	G	NSYTLG
	NSYMF1210	NSYMR1210	NSYMB1210	-	NSYSDCR400	4	G	NSYTLG
	2 × NSYMF126	2 × NSYMR126	-	-	NSYSDCR300 (5)	4	G	NSYTLG
	2 × NSYMF126	2 × NSYMR126	-	-	NSYSDCR400 (5)	4	G	NSYTLG
	-	NSYMR1410	-	-	NSYSDCR300	4	G	NSYTLG

(4) Order NSYCRNGSSDR to mount double mounting plate.

(5) Except for double mounting plate, order in addition catalog no. NSYSDRSDCR300 (D300) or NSYSDRSDCR400 (D400).

(6) See type of entry in drawings on pages 3/45 and 3/47.



# Wall-mounting steel enclosures

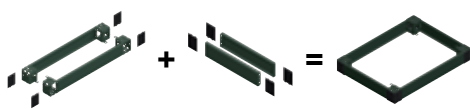
## Selection guide



3

CRN Wall-mounting steel enclosures									
Dimensions: mm (in.)			No. of doors	IP	Weight: kg (lbs) (1)	Inner door	Wall-mounting lugs	Mounting kit for heavy load (3)	
H	W	D							
200 (7.9)	200 (7.9)	150 (5.9)				1	66	2.5 (5.5)	-
200 (7.9)	300 (11.8)	150 (5.9)	1	66	3.9 (8.6)	-	NSYPFCR	-	
250 (9.8)	200 (7.9)	150 (5.9)	1	66	3.2 (7.1)	-	NSYPFCR	-	
300 (11.8)	250 (9.8)	150 (5.9)	1	66	4.2 (9.3)	-	NSYPFCR	-	
300 (11.8)	250 (9.8)	200 (7.9)	1	66	4.9 (10.8)	-	NSYPFCR	-	
300 (11.8)	300 (11.8)	150 (5.9)	1	66	5 (11.0)	-	-	-	
300 (11.8)	300 (11.8)	200 (7.9)	1	66	6 (13.2)	-	-	-	
300 (11.8)	400 (15.7)	200 (7.9)	1	66	6.4 (14.1)	-	-	-	
300 (11.8)	450 (17.7)	150 (5.9)	1	66	6.7 (14.8)	-	NSYPFCR	-	
400 (15.7)	300 (11.8)	150 (5.9)	1	66	6 (13.2)	NSYPIN43	NSYPFCR	-	
400 (15.7)	300 (11.8)	200 (7.9)	1	66	6.8 (15.0)	NSYPIN43	NSYPFCR	-	
400 (15.7)	400 (15.7)	200 (7.9)	1	66	8 (17.6)	-	NSYPFCR	-	
400 (15.7)	600 (23.6)	250 (9.8)	1	66	10 (22.0)	-	NSYPFCR	-	
400 (15.7)	600 (23.6)	300 (11.8)	1	66	11.2 (24.7)	-	NSYPFCR	-	
500 (19.7)	400 (15.7)	150 (5.9)	1	66	8.7 (19.2)	NSYPIN54	NSYPFCR	-	
500 (19.7)	400 (15.7)	200 (7.9)	1	66	9.8 (21.6)	NSYPIN54	NSYPFCR	-	
500 (19.7)	400 (15.7)	250 (9.8)	1	66	11 (24.3)	NSYPIN54	NSYPFCR	-	
500 (19.7)	500 (19.7)	250 (9.8)	1	66	12.8 (28.2)	-	NSYPFCR	-	
600 (23.6)	400 (15.7)	150 (5.9)	1	66	9.3 (20.5)	NSYPIN64	NSYPFCR	-	
600 (23.6)	400 (15.7)	200 (7.9)	1	66	10.8 (23.8)	NSYPIN64	NSYPFCR	-	
600 (23.6)	400 (15.7)	250 (9.8)	1	66	12.3 (27.1)	NSYPIN64	NSYPFCR	-	
600 (23.6)	500 (19.7)	150 (5.9)	1	66	11.3 (24.9)	-	NSYPFCR	-	
600 (23.6)	500 (19.7)	200 (7.9)	1	66	14.3 (31.5)	-	NSYPFCR	-	
600 (23.6)	500 (19.7)	250 (9.8)	1	66	16.2 (35.7)	-	NSYPFCR	-	
600 (23.6)	600 (23.6)	200 (7.9)	1	66	16.3 (35.9)	-	NSYPFCR	-	
600 (23.6)	600 (23.6)	250 (9.8)	1	66	18.2 (40.1)	-	NSYPFCR	-	
600 (23.6)	600 (23.6)	300 (11.8)	1	66	19.8 (43.7)	-	NSYPFCR	-	
600 (23.6)	800 (31.5)	300 (11.8)	1	66	26 (57.3)	-	NSYPFCR	-	
700 (27.6)	500 (19.7)	200 (7.9)	1	66	17.3 (38.1)	NSYPIN75	NSYPFCR	-	
700 (27.6)	500 (19.7)	250 (9.8)	1	66	19.3 (42.5)	NSYPIN75	NSYPFCR	-	
800 (31.5)	600 (23.6)	200 (7.9)	1	66	21.8 (48.1)	NSYPIN86	NSYPFCR	-	
800 (31.5)	600 (23.6)	250 (9.8)	1	66	24.8 (54.7)	NSYPIN86	NSYPFCR	-	
800 (31.5)	600 (23.6)	300 (11.8)	1	66	26.3 (58.0)	NSYPIN86	NSYPFCR	-	
800 (31.5)	800 (31.5)	200 (7.9)	1	66	29.5 (65.0)	-	NSYPFCR	-	
800 (31.5)	800 (31.5)	300 (11.8)	1	66	32.5 (71.7)	-	NSYPFCR	-	
1000 (39.4)	600 (23.6)	250 (9.8)	1	66	28.4 (62.6)	NSYPIN106	NSYPFCR	-	
1000 (39.4)	600 (23.6)	300 (11.8)	1	66	30.6 (67.5)	NSYPIN106	NSYPFCR	-	
1000 (39.4)	800 (31.5)	250 (9.8)	1	66	34.5 (76.1)	NSYPIN108	NSYPFCR	-	
1000 (39.4)	800 (31.5)	300 (11.8)	1	66	37.4 (82.5)	NSYPIN108	NSYPFCR	-	
CRNG Wall-mounting steel enclosures									
800 (31.5)	600 (23.6)	400 (15.7)	1	66	30 (66.1)	NSYPIN86	NSYAEFFSC	NSYAEFAHLBSC	
800 (31.5)	1000 (39.4)	300 (11.8)	2	55	40 (88.2)	-	NSYAEFFSC	NSYAEFAHLBSC	
800 (31.5)	1200 (47.2)	300 (11.8)	2	55	46 (101.4)	-	NSYAEFFSC	NSYAEFAHLBSC	
1000 (39.4)	600 (23.6)	400 (15.7)	1	66	36 (79.4)	NSYPIN106	NSYAEFFSC	NSYAEFAHLBSC	
1000 (39.4)	800 (31.5)	400 (15.7)	1	66	43 (94.8)	NSYPIN108	NSYAEFFSC	NSYAEFAHLBSC	
1000 (39.4)	1000 (39.4)	300 (11.8)	2	55	47 (103.6)	-	NSYAEFFSC	NSYAEFAHLBSC	
1000 (39.4)	1200 (47.2)	300 (11.8)	2	55	55 (121.3)	-	NSYAEFFSC	NSYAEFAHLBSC	
1000 (39.4)	1200 (47.2)	400 (15.7)	2	55	60 (132.3)	-	NSYAEFFSC	NSYAEFAHLBSC	
1200 (47.2)	600 (23.6)	300 (11.8)	1	66	37 (81.6)	NSYPIN126	NSYAEFFSC	NSYAEFAHLBSC	
1200 (47.2)	600 (23.6)	400 (15.7)	1	66	42 (92.6)	NSYPIN126	NSYAEFFSC	NSYAEFAHLBSC	
1200 (47.2)	800 (31.5)	300 (11.8)	1	66	45 (99.2)	NSYPIN128	NSYAEFFSC	NSYAEFAHLBSC	
1200 (47.2)	800 (31.5)	400 (15.7)	1	66	50 (110.2)	NSYPIN128	NSYAEFFSC	NSYAEFAHLBSC	
1200 (47.2)	1000 (39.4)	300 (11.8)	2	55	56 (123.5)	-	NSYAEFFSC	NSYAEFAHLBSC	
1200 (47.2)	1000 (39.4)	400 (15.7)	2	55	61 (134.5)	-	NSYAEFFSC	NSYAEFAHLBSC	
1200 (47.2)	1200 (47.2)	300 (11.8)	2	55	64 (141.1)	-	NSYAEFFSC	NSYAEFAHLBSC	
1200 (47.2)	1200 (47.2)	400 (15.7)	2	55	90 (198.4)	-	NSYAEFFSC	NSYAEFAHLBSC	
1400 (55.1)	1000 (39.4)	300 (11.8)	2	55	80 (176.4)	-	NSYAEFFSC	NSYAEFAHLBSC	

# Spacial CRN - CRNG



Installation system								
Post-mounting accessory	Single plinths side plate		Single plinths front plate		Mounting pillar	Adapter plates	Canopies	
	100 mm (3.9 in.)	200 mm (7.9 in.)	100 mm (3.9 in.)	200 mm (7.9 in.)				
Page 3/58	Page 3/59				Page 3/57		Page 3/61	
-	-	-	-	-	-	-	-	-
-	-	-	-	-	-	-	-	-
-	-	-	-	-	NSYCOCN80	-	-	NSYTJ2015
-	-	-	-	-	NSYCOCN80	NSYCHCOA	-	NSYTJ2515
-	-	-	-	-	NSYCOCN80	NSYCHCOA	-	NSYTJ2520
NSYSFPSC30	-	-	-	-	NSYCOCN80	NSYCHCOB	-	NSYTJ3015
NSYSFPSC30	-	-	-	-	NSYCOCN80	NSYCHCOB	-	NSYTJ3020
NSYSFPSC40	-	-	-	-	NSYCOCN80	NSYCHCOC	-	NSYTJ4020
-	-	-	-	-	-	-	-	-
NSYSFPSC30	-	-	-	-	NSYCOCN80	NSYCHCOB	-	NSYTJ3015
NSYSFPSC30	-	-	-	-	NSYCOCN80	NSYCHCOB	-	NSYTJ3020
NSYSFPSC40	-	-	-	-	NSYCOCN80	NSYCHCOC	-	NSYTJ4020
NSYSFPSC60	-	-	-	-	NSYCOCN80	NSYCHCOD	-	NSYTJ6025
NSYSFPSC60	NSYSFPS3100	NSYSFPS3200	NSYSPPF6100	NSYSPPF6200	NSYCOCN80	NSYCHCOD	-	NSYTJ6030
NSYSFPSC40	-	-	-	-	NSYCOCN80	NSYCHCOB	-	NSYTJ4015
NSYSFPSC40	-	-	-	-	NSYCOCN80	NSYCHCOC	-	NSYTJ4020
NSYSFPSC40	-	-	-	-	NSYCOCN80	NSYCHCOC	-	NSYTJ4025
NSYSFPSC40	-	-	-	-	NSYCOCN80	NSYCHCOB	-	NSYTJ4015
NSYSFPSC40	-	-	-	-	NSYCOCN80	NSYCHCOC	-	NSYTJ4020
NSYSFPSC40	-	-	-	-	NSYCOCN80	NSYCHCOC	-	NSYTJ4025
NSYSFPSC50	-	-	-	-	NSYCOCN80	NSYCHCOD	-	NSYTJ5025
NSYSFPSC40	-	-	-	-	NSYCOCN80	NSYCHCOB	-	NSYTJ4015
NSYSFPSC40	-	-	-	-	NSYCOCN80	NSYCHCOC	-	NSYTJ4020
NSYSFPSC40	-	-	-	-	NSYCOCN80	NSYCHCOC	-	NSYTJ4025
NSYSFPSC50	-	-	-	-	NSYCOCN80	NSYCHCOB	-	NSYTJ5015
NSYSFPSC50	-	-	-	-	NSYCOCN80	NSYCHCOD	-	NSYTJ5020
NSYSFPSC50	-	-	-	-	NSYCOCN80	NSYCHCOD	-	NSYTJ5025
NSYSFPSC60	-	-	-	-	NSYCOCN80	NSYCHCOD	-	NSYTJ6020
NSYSFPSC60	-	-	-	-	NSYCOCN80	NSYCHCOD	-	NSYTJ6025
NSYSFPSC60	NSYSFPS3100	NSYSFPS3200	NSYSPPF6100	NSYSPPF6200	NSYCOCN80	NSYCHCOD	-	NSYTJ6030
NSYSFPSC80	NSYSFPS3100	NSYSFPS3200	NSYSPPF8100	NSYSPPF8200	NSYCOCN80	NSYCHCOC (2)	-	NSYTJ8030
NSYSFPSC50	-	-	-	-	NSYCOCN80	NSYCHCOD	-	NSYTJ5020
NSYSFPSC50	-	-	-	-	NSYCOCN80	NSYCHCOD	-	NSYTJ5025
NSYSFPSC60	-	-	-	-	NSYCOCN80	NSYCHCOD	-	NSYTJ6020
NSYSFPSC60	-	-	-	-	NSYCOCN80	NSYCHCOD	-	NSYTJ6025
NSYSFPSC60	NSYSFPS3100	NSYSFPS3200	NSYSPPF6100	NSYSPPF6200	NSYCOCN80	NSYCHCOD	-	NSYTJ6030
NSYSFPSC80	-	-	-	-	NSYCOCN80	NSYCHCOC (2)	-	NSYTJ8020
NSYSFPSC80	NSYSFPS3100	NSYSFPS3200	NSYSPPF8100	NSYSPPF8200	NSYCOCN80	NSYCHCOC (2)	-	NSYTJ8030
-	-	-	-	-	NSYCOCN80	NSYCHCOD	-	NSYTJ6025
-	NSYSFPS3100	NSYSFPS3200	NSYSPPF6100	NSYSPPF6200	NSYCOCN80	NSYCHCOD	-	NSYTJ6030
-	-	-	-	-	NSYCOCN80	NSYCHCOC (2)	-	NSYTJ8025
-	NSYSFPS3100	NSYSFPS3200	NSYSPPF8100	NSYSPPF8200	NSYCOCN80	NSYCHCOC (2)	-	NSYTJ8030
NSYSFPSC60	NSYSFPS4100	NSYSFPS4200	NSYSPPF6100	NSYSPPF6200	-	-	-	NSYTJ6040
-	NSYSFPS3100	NSYSFPS3200	NSYSPPF10100	NSYSPPF10200	-	-	-	NSYTJ10030
-	NSYSFPS3100	NSYSFPS3200	NSYSPPF12100	NSYSPPF12200	-	-	-	NSYTJ12030
-	NSYSFPS4100	NSYSFPS4200	NSYSPPF6100	NSYSPPF6200	-	-	-	NSYTJ6040
-	NSYSFPS4100	NSYSFPS4200	NSYSPPF8100	NSYSPPF8200	-	-	-	NSYTJ8040
-	NSYSFPS3100	NSYSFPS3200	NSYSPPF10100	NSYSPPF10200	-	-	-	NSYTJ10030
-	NSYSFPS3100	NSYSFPS3200	NSYSPPF12100	NSYSPPF12200	-	-	-	NSYTJ12030
-	NSYSFPS4100	NSYSFPS4200	NSYSPPF12100	NSYSPPF12200	-	-	-	NSYTJ12040
-	NSYSFPS3100	NSYSFPS3200	NSYSPPF6100	NSYSPPF6200	-	-	-	NSYTJ6030
-	NSYSFPS4100	NSYSFPS4200	NSYSPPF6100	NSYSPPF6200	-	-	-	NSYTJ6040
-	NSYSFPS3100	NSYSFPS3200	NSYSPPF8100	NSYSPPF8200	-	-	-	NSYTJ8030
-	NSYSFPS4100	NSYSFPS4200	NSYSPPF8100	NSYSPPF8200	-	-	-	NSYTJ8040
-	NSYSFPS3100	NSYSFPS3200	NSYSPPF10100	NSYSPPF10200	-	-	-	NSYTJ10030
-	NSYSFPS4100	NSYSFPS4200	NSYSPPF10100	NSYSPPF10200	-	-	-	NSYTJ10040
-	NSYSFPS3100	NSYSFPS3200	NSYSPPF12100	NSYSPPF12200	-	-	-	NSYTJ12030
-	NSYSFPS4100	NSYSFPS4200	NSYSPPF12100	NSYSPPF12200	-	-	-	NSYTJ12040
-	NSYSFPS3100	NSYSFPS3200	NSYSPPF10100	NSYSPPF10200	-	-	-	NSYTJ10030



# Accessory selector

3



- ① Wall-mounting lugs  
Pages 3/55 and 3/56
- ② Mounting pillar  
Page 3/57
- ③ Plinth  
Page 3/59
- ④ Canopy  
Page 3/61
- ⑤ Glazed/plain door  
Page 3/50
- ⑥ Lock  
Page 3/62
- ⑦ Insert  
Page 3/62
- ⑧ Cable-gland plate  
Page 3/64
- ⑨ Cable entrance  
Page 3/64
- ⑩ Inner door  
Page 3/65
- ⑪ Mounting plate  
Page 8/2
- ⑫ DIN rails  
Page 8/48

# Accessories

## Mounting accessories

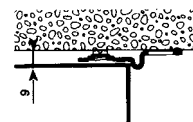
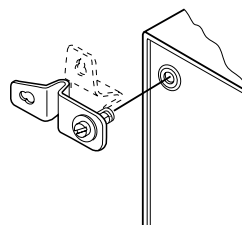
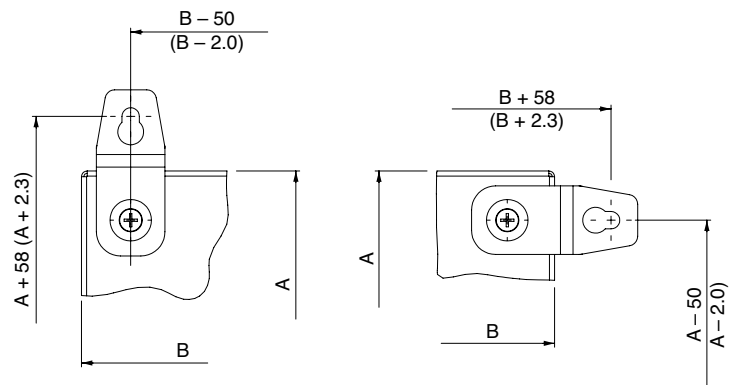


### Wall-mounting kit for Spacial CRN enclosures

- Made from passivated zinc-coated steel.
- They are mounted from the outside and can be positioned vertically or horizontally.
- Maximum load: horizontally 180 kg (396.8 lbs); vertically 350 kg (771.6 lbs).
- Not included in the standard supply.
- For Spacial CRNG enclosures, use **NSYAEFPSC** on page 3/56.

Description	Catalog number
4 wall-mounting lugs for Spacial CRN	<b>NSYPFCR</b>

A Enclosure height  
B Enclosure width



# Accessories

## Mounting accessories

3



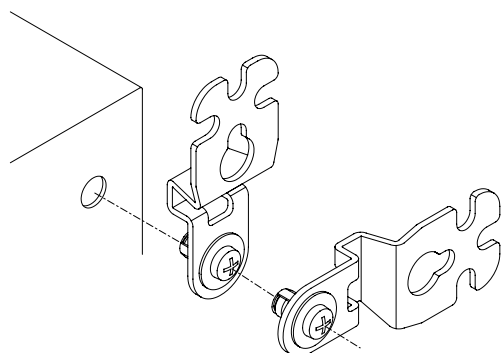
### Wall-mounting lugs

Set of 4 wall-mounting lugs

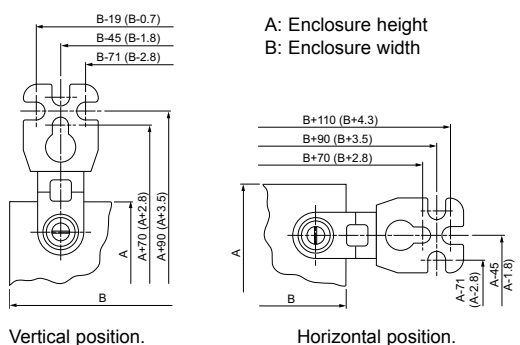
- Mounted directly on the rear of the enclosure, either in horizontal or vertical position.
- Available in two materials, steel and 304L stainless steel. Can be mounted in two positions, vertical or horizontal, for a wall enclosure separation of 10 mm (0.4 in.).
- Acceptable load:
  - Horizontal lug: 180 kg (396.8 lbs).
  - Vertical lug: 350 kg (771.6 lbs).
- Supplied with mounting screws and pre-mounted sealing gaskets.

Description	Catalog number
Set of 4 steel mounting lugs	<b>NSYAEFPFSC</b>
Set of 4 stainless-steel mounting lugs	<b>NSYAEFPFXSC</b>

### Mounting center-to-center distance with lugs (M8 screw)

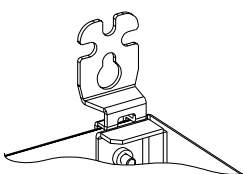


Installation from the outside.



Vertical position.

Horizontal position.

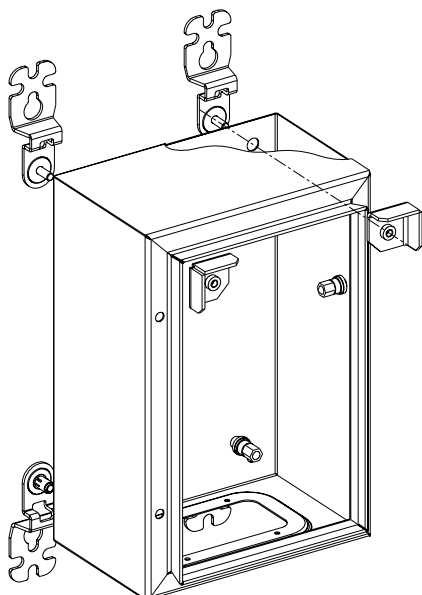


### Mounting kit for heavy loads

Kit consists of 2 steel reinforcement pieces.

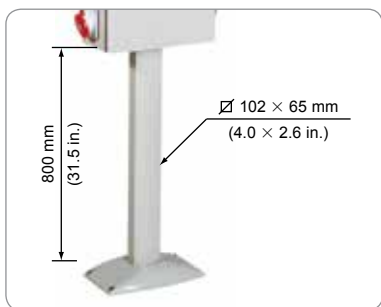
- Maximum load: 400 kg (881.8 lbs).
- Mount the kit in the top position with standard lugs (ordered separately) before installing the mounting plate.

Description	Catalog number
Kit for heavy loads	<b>NSYAEFAHLBSC</b>



# Accessories

## Mounting accessories



### Mounting pillar

- The mounting pillar is fixed to the bottom of the enclosure using an adapter plate (see below).
- This plate must be ordered with the pillar and replaces the cable-gland plate.
- Overall height of the mounting pillar: 800 mm (31.5 in.).
- Material: extruded aluminum, polyester powder paint, textured finish, RAL 7035 gray color.
- Suitable for all Spacial CRN enclosures up to dimensions 600 × 400 × 250 mm (23.6 × 15.7 × 9.8 in.), except Spacial CRN 200 × 200 × 150 mm (7.9 × 7.9 × 5.9 in.) and Spacial CRN 250 × 200 × 150 mm (9.8 × 7.9 × 5.9 in.).
- Cannot be mounted on Spacial CRNG enclosures.

**Catalog number**  
**NSYCOCN80**

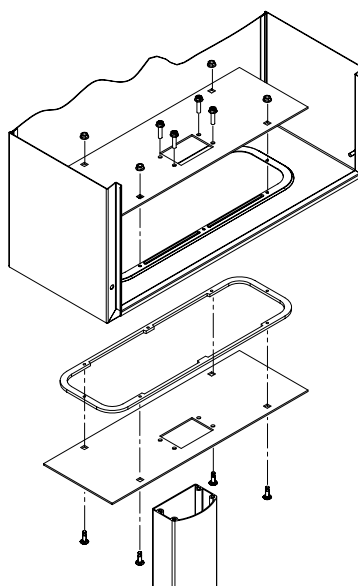


### Adapter plate

- Plate for mounting the enclosure to the mounting pillar. This plate replaces the cable-gland plate delivered with the enclosure.
- Material: steel, polyester powder paint, textured finish, RAL 7035 gray color

Width of enclosure: mm (in.)	Depth of enclosure: mm (in.)	To be joined with cable entry (1)	Catalog number
250 (9.8)	150 - 200 (5.9 - 7.9)	A	<b>NSYCHCOA</b>
300 - 400 - 450 - 500 (11.8 - 15.7 - 17.7 - 19.7)	150 - 200 (5.9 - 7.9)	B	<b>NSYCHCOB</b>
400 (15.7)	200 - 250 (7.9 - 9.8)	C	<b>NSYCHCOC</b>
500 - 600 (19.7 - 23.6)	200 - 250 - 300 (7.9 - 9.8 - 11.8)	D	<b>NSYCHCOD</b>

(1) See type of entry in drawings on page 3/45.



# Accessories

## Mounting accessories

3

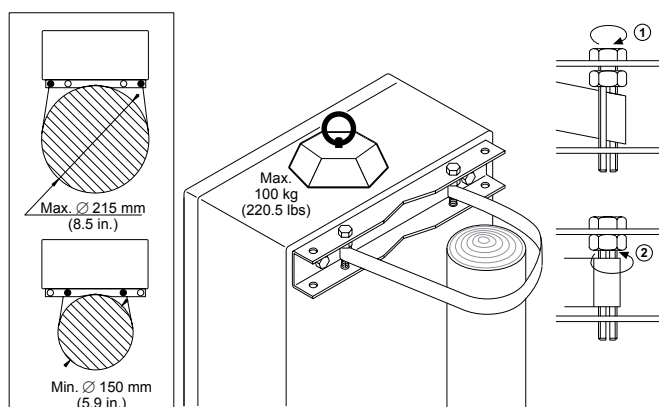
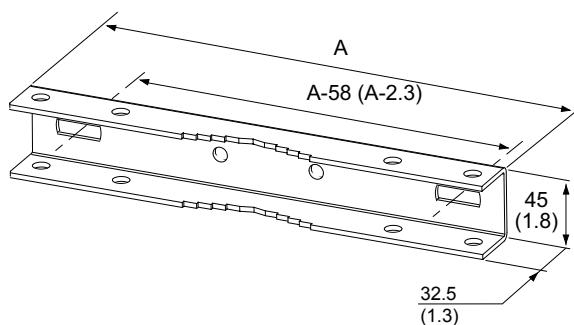


### Post-mounting accessory for Spacial steel enclosure

For indoor installations on posts with a maximum circumference of 675 mm (26.6 in.); minimum diameter 150 mm (5.9 in.) and maximum diameter of 215 mm (8.5 in.).

- Material: galvanized steel.
- Rail mounted to the inserts in the rear of the enclosure with 8-mm screws.
- Maximum load: 100 kg (220.5 lbs).
- Allows mounting of protection canopies.
- For steel enclosures with widths of 300, 400, 500, 600 and 800 mm (11.8, 15.7, 19.7, 23.6 and 31.5 in.).

Description	A (mm)	Catalog number
Post-mounting for enclosure with W 300 mm (11.8 in.)	295 (11.6)	<b>NSYSFPSC30</b>
Post-mounting for enclosure with W 400 mm (15.7 in.)	395 (15.6)	<b>NSYSFPSC40</b>
Post-mounting for enclosure with W 500 mm (19.7 in.)	495 (19.5)	<b>NSYSFPSC50</b>
Post-mounting for enclosure with W 600 mm (23.6 in.)	595 (23.4)	<b>NSYSFPSC60</b>
Post-mounting for enclosure with W 800 mm (31.5 in.)	795 (31.3)	<b>NSYSFPSC80</b>

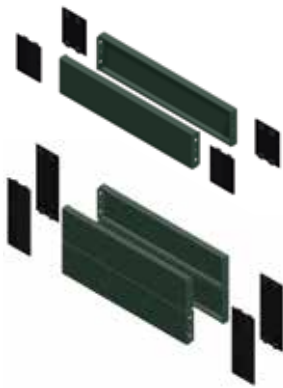
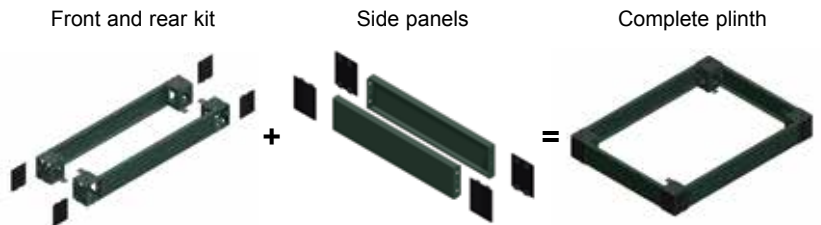


# Accessories

## Mounting accessories

### Plinth kit

The complete plinth consists of two elements: the front and rear kit, determined by the width of the enclosure, and the side panels, determined by the depth of the enclosure.



### Plinth side panels for Spacial steel enclosure

Mounted to the corners of the plinth by two screws.

- Material: folded sheet steel.
- Finishes: epoxy-polyester resin paint, RAL 7022 gray color.
- Protection degree: IP30 for the complete plinth.
- Resistance to external mechanical impacts: IK10.
- Models with heights: 100 and 200 mm (3.9 and 7.9 in.).
- For enclosure depths 300 and 400 mm (11.8 and 15.7 in.):
  - Height 100 mm (3.9 in.): 2 side panels, 4 corner covers and mounting pieces.
  - Height 200 mm (7.9 in.): 4 side panels (height of 100 mm [3.9 in.], 2 for each side), 4 corner covers and mounting pieces.

Nominal dimensions: mm (in.)	Catalog number	
	100 mm (3.9 in.)	200 mm (7.9 in.)
Depth		
300 (11.8)	<b>NSYSPS3100</b>	<b>NSYSPS3200</b>
400 (15.7)	<b>NSYSPS4100</b>	<b>NSYSPS4200</b>



### Front and rear plinth

Accessory shared with the Spacial SM floor-standing enclosure. Numerous options available: plain, ventilated, with cable gland. See page 4/42.



See also these accessories

Cable-entry accessories  
Page 3/64

Cable-support accessories  
Page 8/82

Cable-management accessories  
Page 8/67



# Accessories

## Coupling accessories

3



Installation example.

### Coupling of Spacial steel enclosures

Available in 2 versions:

- Without cable entry.
- With coupling frame allowing the entry of cables.
- Separation of 17 mm (0.7 in.) between 2 joined enclosures, allowing full opening of the doors.

### Kit for mounting 2 joined enclosures

- Kit consists of 4 spacers and mounting hardware.

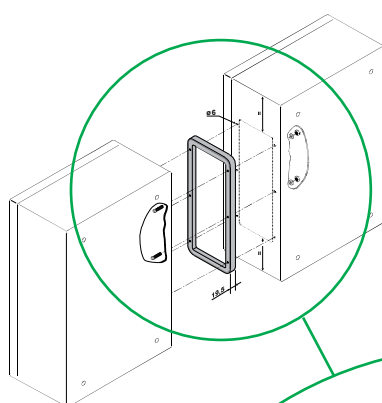
### Coupling frame

- Allows lateral coupling of 2 enclosures.
- Frame made from polyester charged with fiberglass, self-extinguishing.
- A built-in sealing gasket helps ensure the IP66 protection.
- Mounting screws included.
- Dimensions: 435 × 185 mm (17.1 × 7.3 in.) and 635 × 185 mm (25.0 × 7.3 in.). These frames allow the door to open to 120°.

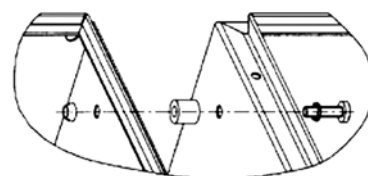
Description	Catalog number
Batch of 4 coupling spacers	<b>NSYAEUBUSC</b>
Coupling frame, 435 × 185 mm (17.1 × 7.3 in.)	<b>NSYAEUBU41SC</b>
Coupling frame, 635 × 185 mm (25.0 × 7.3 in.)	<b>NSYAEUBU61SC</b>



Version without cable entry.



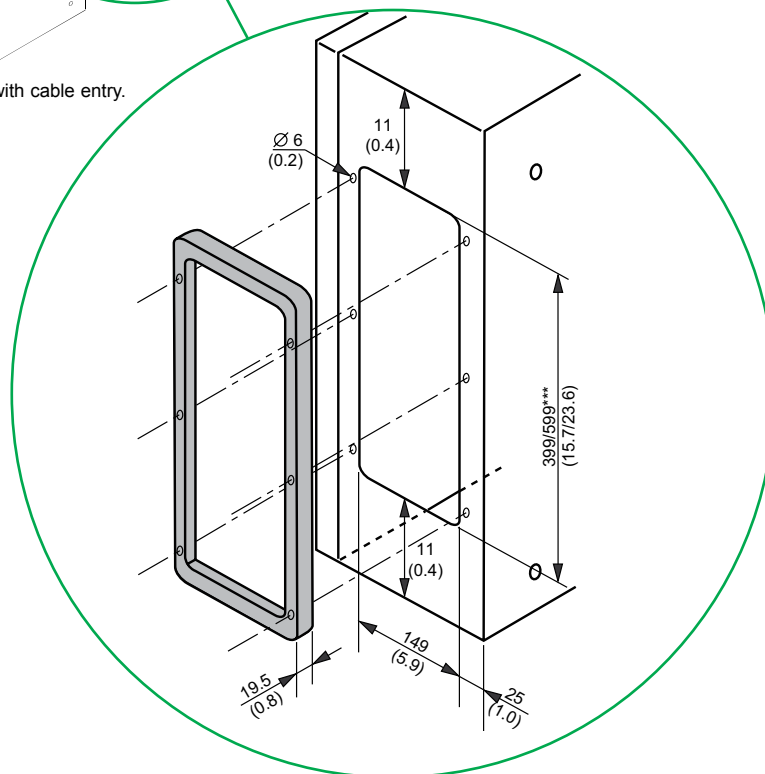
Version with cable entry.



Version without cable entry.



Version with cable entry.



# Accessories

## Hoisting accessories

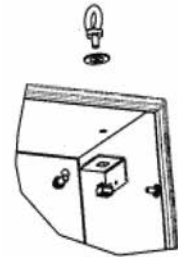


### Eyebolts

Set of two M8 eyebolts.

- Material: zinc-coated molded steel.
- The eyebolts are mounted directly to the body of the enclosure.
- Maximum load: 210 kg (463.0 lbs) per enclosure with the sling at 60°.
- Cannot be installed with the canopy in place.
- The reinforcing brackets are attached to the rings.
- The reinforcing brackets also act as a drilling template.

Description	Catalog number
Batch of 2 M8 eyebolts	<b>NSYAELYTCRG8</b>



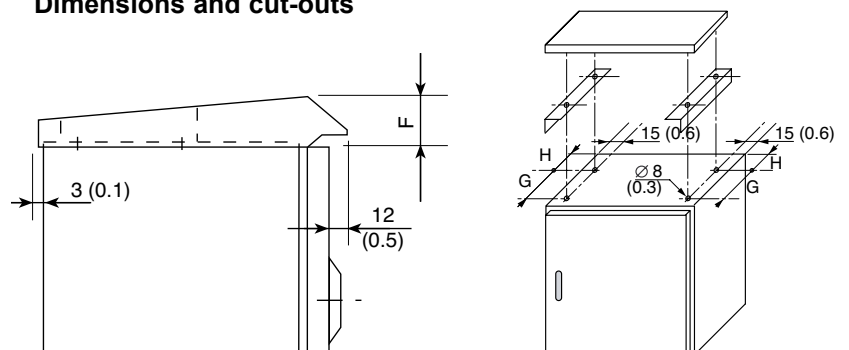
### Protection canopy

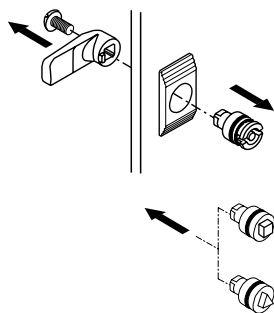
Direct mounting to the body of the enclosure by 4 M6 screws.

- Material: painted galvanized steel, structured finish, epoxy-polyester powder, RAL 7035 gray color.
- Delivered with installation hardware.
- To be used for all outdoor installations.

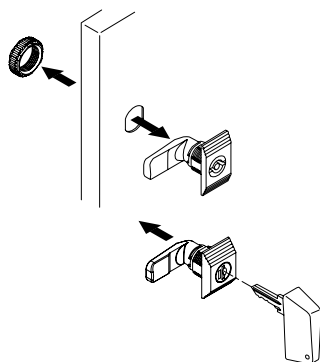
Enclosures: mm (in.)					Catalog number
Width	Depth	F	G	H	
200 (7.9)	150 (5.9)	36 (1.4)	75 (3.0)	23 (0.9)	<b>NSYTJ2015</b>
250 (9.8)	150 (5.9)	36 (1.4)	75 (3.0)	23 (0.9)	<b>NSYTJ2515</b>
300 (11.8)	150 (5.9)	36 (1.4)	75 (3.0)	23 (0.9)	<b>NSYTJ3015</b>
400 (15.7)	150 (5.9)	36 (1.4)	75 (3.0)	23 (0.9)	<b>NSYTJ4015</b>
500 (19.7)	150 (5.9)	36 (1.4)	75 (3.0)	23 (0.9)	<b>NSYTJ5015</b>
500 (19.7)	200 (7.9)	36 (1.4)	130 (5.1)	23 (0.9)	<b>NSYTJ5020</b>
600 (23.6)	200 (7.9)	36 (1.4)	130 (5.1)	23 (0.9)	<b>NSYTJ6020</b>
250 (9.8)	200 (7.9)	36 (1.4)	130 (5.1)	23 (0.9)	<b>NSYTJ2520</b>
300 (11.8)	200 (7.9)	36 (1.4)	130 (5.1)	23 (0.9)	<b>NSYTJ3020</b>
400 (15.7)	200 (7.9)	36 (1.4)	130 (5.1)	23 (0.9)	<b>NSYTJ4020</b>
800 (31.5)	200 (7.9)	36 (1.4)	130 (5.1)	23 (0.9)	<b>NSYTJ8020</b>
400 (15.7)	250 (9.8)	42 (1.7)	150 (5.9)	48 (1.9)	<b>NSYTJ4025</b>
500 (19.7)	250 (9.8)	42 (1.7)	150 (5.9)	48 (1.9)	<b>NSYTJ5025</b>
600 (23.6)	250 (9.8)	42 (1.7)	150 (5.9)	48 (1.9)	<b>NSYTJ6025</b>
800 (31.5)	250 (9.8)	42 (1.7)	150 (5.9)	48 (1.9)	<b>NSYTJ8025</b>
600 (23.6)	300 (11.8)	42 (1.7)	200 (7.9)	48 (1.9)	<b>NSYTJ6030</b>
800 (31.5)	300 (11.8)	42 (1.7)	200 (7.9)	48 (1.9)	<b>NSYTJ8030</b>
1000 (39.4)	300 (11.8)	42 (1.7)	200 (7.9)	48 (1.9)	<b>NSYTJ10030</b>
1200 (47.2)	300 (11.8)	42 (1.7)	200 (7.9)	48 (1.9)	<b>NSYTJ12030</b>
600 (23.6)	400 (15.7)	42 (1.7)	300 (11.8)	48 (1.9)	<b>NSYTJ6040</b>
800 (31.5)	400 (15.7)	42 (1.7)	300 (11.8)	48 (1.9)	<b>NSYTJ8040</b>
1000 (39.4)	400 (15.7)	42 (1.7)	300 (11.8)	48 (1.9)	<b>NSYTJ10040</b>
1200 (47.2)	400 (15.7)	42 (1.7)	300 (11.8)	48 (1.9)	<b>NSYTJ12040</b>

### Dimensions and cut-outs





Insert change.



Lock change.

Ø 7.5 mm (0.3 in.)



Ø 10 mm (0.4 in.)

**NSYCBCCRN**

## Lock for Spacial CRN enclosure

**NSYCDDB3** 3-mm (0.1 in.) Ø standard double-bar lock.








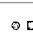
By mounting the wing nut to the lock, the double-bar lock becomes a handle lock.

• Operation using:

– Wing key catalog no.: **NSYDBP** .

– Key **NSYLDB5**.

(according to DIN 43668) .

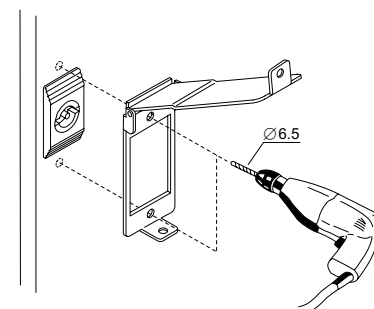
Type of insert	Insert catalog number	Key catalog number (1)
3 mm (0.1 in.) double bar 	<b>NSYTDBCRN</b>	 <b>NSYLDB5</b>
With one □ 6-mm (0.2 in.) square lock	<b>NSYTC6CRN</b>	 <b>NSYLC7</b>
With one □ 7-mm (0.3 in.) square lock	<b>NSYTC7CRN</b>	 <b>NSYLC7</b>
With one □ 8-mm (0.3 in.) square lock	<b>NSYTC8CRN</b>	 <b>NSYLC8</b>
Triangle lock with △ 6.5-mm (0.3 in.) side	<b>NSYTT6CRN</b>	 <b>NSYLT8</b>
Triangle lock with △ 7-mm (0.3 in.) side	<b>NSYTT7CRN</b>	 <b>NSYLT8</b>
Triangle lock with △ 8-mm (0.3 in.) side	<b>NSYTT8CRN</b>	 <b>NSYLT8</b>

(1) Order the key separately.

Complete manual handle lock, operated with key 405	<b>NSYCL405CRN</b>	
Complete manual handle lock, operated with key 220	<b>NSYCL220CRN</b>	
Complete metal lock, operated with key 405	<b>NSYCLL405CRN</b>	
Stainless-steel padlock	<b>NSYKPLM</b>	
Padlock	<b>NSYCBCCRN</b>	



**NSYKPLM** Ø 8 mm (0.3 in.).



**NSYKPLM** padlock assembly.



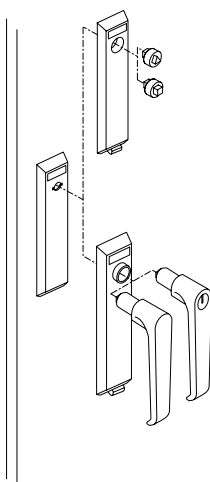
## Lock for Spacial CRNG enclosure (three-point lock)


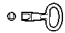
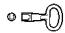
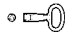
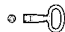


Standard 5-mm (0.2 in.) double-bar lock for CRNG models.

• Operation using:

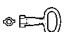
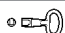

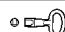
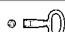


– Key **NSYLDB5**.

(according to DIN 43668) .



Type of insert	Insert catalog number	Key catalog number (1)
□ 6-mm (0.2 in.) square lock	<b>NSYTC6ML</b>	 <b>NSYLC7</b>
□ 7-mm (0.3 in.) square lock	<b>NSYTC7ML</b>	 <b>NSYLC7</b>
□ 8-mm (0.3 in.) square lock	<b>NSYTC8ML</b>	 <b>NSYLC8</b>
△ 7-mm-side (0.3 in.) triangle lock	<b>NSYTT7ML</b>	 <b>NSYLT8</b>
△ 8-mm-side (0.3 in.) triangle lock	<b>NSYTT8ML</b>	 <b>NSYLT8</b>
Handle lock	<b>NSYTSML</b>	
Handle lock operated using key 405 (included)	<b>NSYTL405SML</b>	

(1) Insert without keys (unless indicated).

Type of insert	Insert catalog number	Key catalog number (1)
Key operated bar lock	<b>NSYTEDB5ML</b>	 <b>NSYLDB5</b>
□ 7-mm (0.3 in.) square lock	<b>NSYTEC7ML</b>	 <b>NSYLC7</b>
□ 8-mm (0.3 in.) square lock	<b>NSYTEC8ML</b>	 <b>NSYLC8</b>
△ 7-mm-side (0.3 in.) triangle lock	<b>NSYTT7ML</b>	 <b>NSYLT8</b>
△ 8-mm-side (0.3 in.) triangle lock	<b>NSYTT8ML</b>	 <b>NSYLT8</b>
Lock operated with key type 405	<b>NSYTEL405ML</b>	
Lock operated with reinforced key	<b>NSYTERML</b>	

(1) Insert without keys (unless indicated).

# Cable management

## Cable entries for Spacial CRN - CRNG

3



### Standard cable-gland plate for Spacial CRN

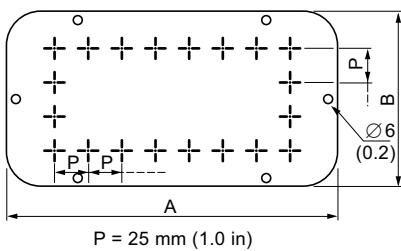
- Made from steel painted RAL 7035. Included as standard with the Spacial CRN enclosure.
- Mounted with screws.

The cable-gland plate for Spacial CRN is attached with screws and helps ensure water and dust tightness.

- The cable-gland plate mounts flush with the enclosure body.
- It is delivered with a separate seal, allowing easy cut-outs with no risk of damaging the seal. It can be easily repaired.

Width: mm (in.)	Depth: mm (in.)	To be joined with cable entry (1)	Catalog number
200 (7.9)	150 (5.9)	0	NSYTLCRNO
250 (9.8)	150/200 (5.9/7.9)	A	NSYTLCRNA
300 (11.8)	200 (7.9)	B	NSYTLCRNB
400/500 (15.7/19.7)	150 (5.9)	B	NSYTLCRNB
400 (15.7)	200/250 (7.9/9.8)	C	NSYTLCRNC
500/600 (19.7/23.6)	200/250/300 (7.9/9.8/11.8)	D	NSYTLCRND
800 (31.5)	200/250/300 (7.9/9.8/11.8)	E (2)	NSYTLCRNC

(1) See type of entry in drawings on page 3/45.  
 (2) Enclosure with 2 entries.



### Standard cable entries for Spacial CRNG

- Made from steel painted with textured RAL 7035 epoxy-polyester resin.
- Standard supply with the Spacial CRNG enclosures.
- Surface with a grid pattern in 25 mm (1.0 in.) intervals to facilitate perforation. Mounted with screws.

Dimensions: mm (in.) A × B	Width: mm (in.)	Depth: mm (in.)	To be joined with cable entry (1)	Catalog number
345 × 130 (13.6 × 5.1)	800 (31.5)	300/400 (11.8/15.7)	H (2)	NSYTLD
445 × 130 (17.5 × 5.1)	1000/1200 (39.4/47.2)	300/400 (11.8/15.7)	H (2)	NSYTLE
495 × 220 (19.5 × 8.7)	600 (23.6)	400 (15.7)	G	NSYTLG

(1) See type of entry in drawings on page 3/47.  
 (2) 2 entries.



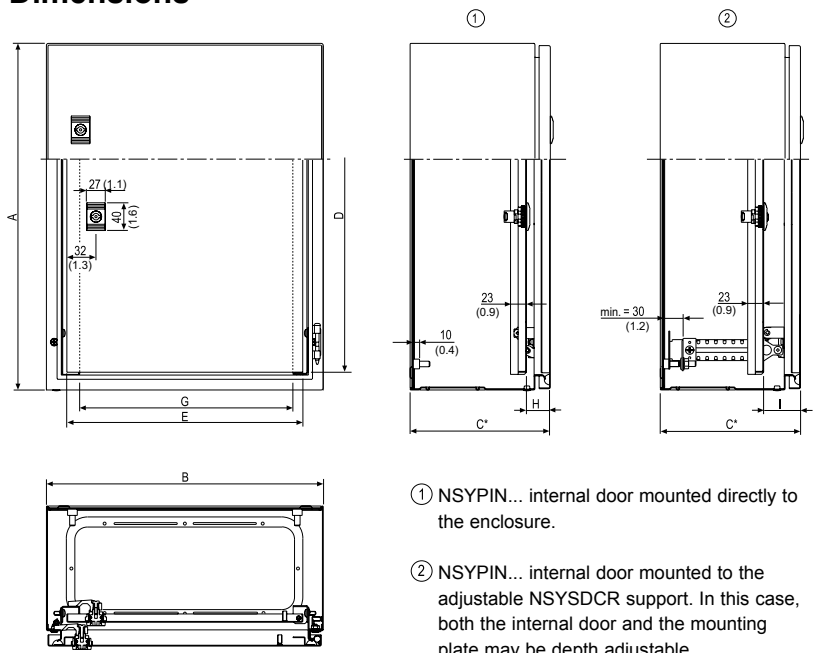
## Internal door

- Sheet-steel door, RAL 7035 gray color.
- 3-mm (0.1 in.) double-bar lock.
- The internal door can be mounted either on the front face of the enclosure or on step slides (not supplied as standard).
- Maximum load: 30 kg/m<sup>2</sup>.
- It is possible to mount an internal door and a mounting plate together on the step slides with standard supply.
- The internal door is not compatible with door stop mounting or door contact. Contact us.

Dimensions H x L: mm (in.)	Catalog number
400 (15.7) × 300 (11.8)	<b>NSYPIN43</b>
500 (19.7) × 400 (15.7)	<b>NSYPIN54</b>
600 (23.6) × 400 (15.7)	<b>NSYPIN64</b>
700 (27.6) × 500 (19.7)	<b>NSYPIN75</b>
800 (31.5) × 600 (23.6)	<b>NSYPIN86</b>
1000 (39.4) × 600 (23.6)	<b>NSYPIN106</b>
1000 (39.4) × 800 (31.5)	<b>NSYPIN108</b>
1200 (47.2) × 600 (23.6)	<b>NSYPIN126</b>
1200 (47.2) × 800 (31.5)	<b>NSYPIN128</b>



## Dimensions



\*Dimension C according to the selection guide on page 3/50.



See also these accessories

Cable-duct support  
 Ø 22 mm  
 Page 8/87

DIN rail support  
 Page 8/48

# The control and human-machine dialog enclosure, ideal for all your interfaces

3

**Robust**  
Mounting on metal support.  
Metal tube.  
Mounting on aluminum enclosure.

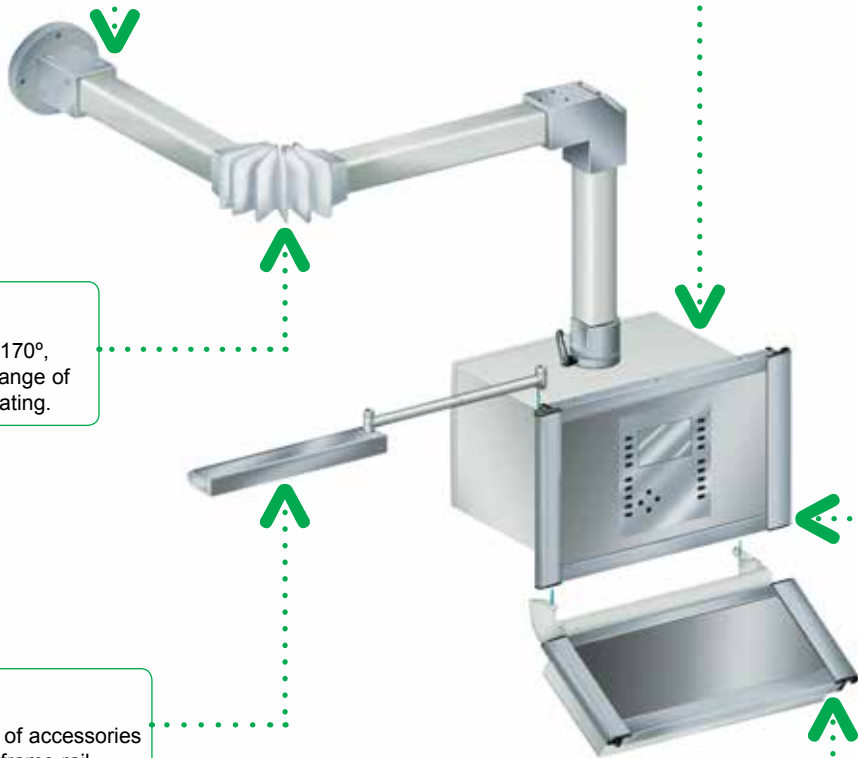
**Choice**  
8 sizes.

**Flexible**  
Rotation through 170°,  
with a complete range of  
joints, fixed or rotating.

**Ergonomic**  
The frame rail helps  
ensure good rigidity  
for the enclosure.

**Easy**  
Direct installation of accessories  
on the enclosure frame rail.

**Practical**  
Keyboard box mounted  
directly on the enclosure.



## Spacial S3CM

The Spacial S3CM offer for human-machine dialog consists of:

- Control enclosures.
- A box-keyboard.
- A system of arms and joints, fixed or rotating.
- Accessories.

The global dialog system combines robustness with aesthetics and ergonomics.

### Choice

8 enclosure sizes, with steel body, from 300 × 300 × 200 mm (11.8 × 11.8 × 7.9 in.) to 800 × 600 × 300 mm (31.5 × 23.6 × 11.8 in.).

### Solid

IK10.

Top wall reinforced by a plate with a thickness of 3 mm (0.1 in.).

### Sealed

IP54 protection, polyurethane gasket.

### Aesthetic

Extruded aluminum frame rail.

RAL 7040 paint: body.

RAL 7035 paint: enclosure.

Customize to the aesthetics of your machine. Contact us for more information.

### Easy

Easy access to the equipment through a rear door, opening to 120°.

### Robust

2 tube sizes in extruded steel, 50 and 80 mm (2.0 and 3.1 in.) square, thickness 4 mm (0.2 in.).

### Practical

Large range of accessories.

### Smart

- Direct installation of accessories on the enclosure frame rail:
  - Lighting accessories.
  - Vertical document support.
  - Keyboard support.
  - Laptop computer support.
- A keyboard box can be installed directly on the enclosure.

### Standardized equipment

The enclosure has two perforated rails mounted on lateral studs for installing accessories. A ground connection is installed on the body.



Specific

**Customized enclosure production, contact us.**



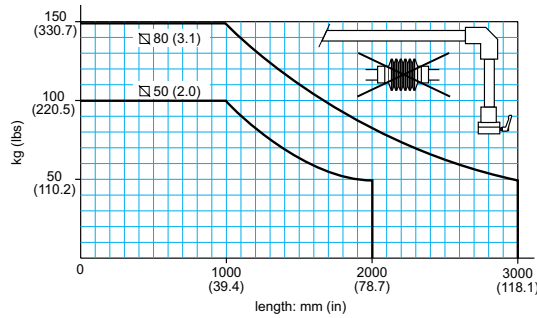
# Choice of models according to the load and the overhang



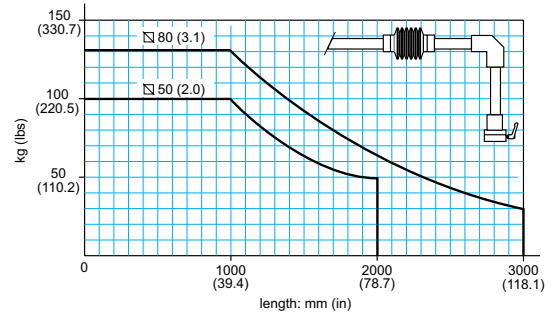
Our system of fixed or rotating tubes and joints allows the control and human-machine dialog enclosures and accessories to be installed in the optimal way for most applications. Every model is suitable for tubes with a square section of 50 mm (2.0 in.) for light loads, or of 80 mm (3.1 in.) for heavy loads (see selection table on page 3/70).

3

## Without intermediate joint

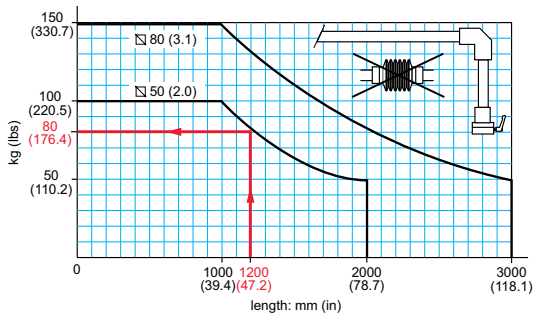


## With intermediate joint



## Examples

### 1- Without intermediate joint

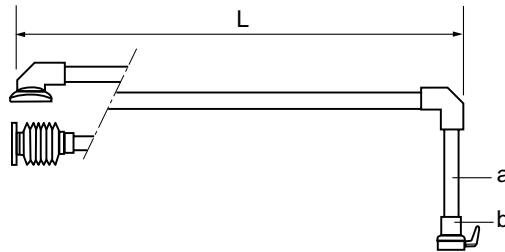


### 1- Suspension system without intermediate joint attached:

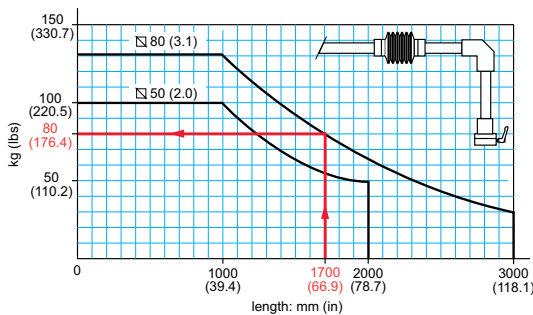
The load (a + b + enclosure + installed equipment) must be less than the maximum load.

#### Example:

Using a system with a diameter of 50 mm (2.0 in.), without an intermediate joint, with an offset of 1200 mm (47.2 in.), the maximum supported load is 80 kg (176.4 lbs).



### 2- With intermediate joint

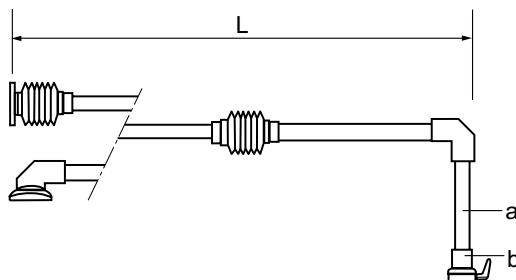


### 2- Suspension system with intermediate joint attached:

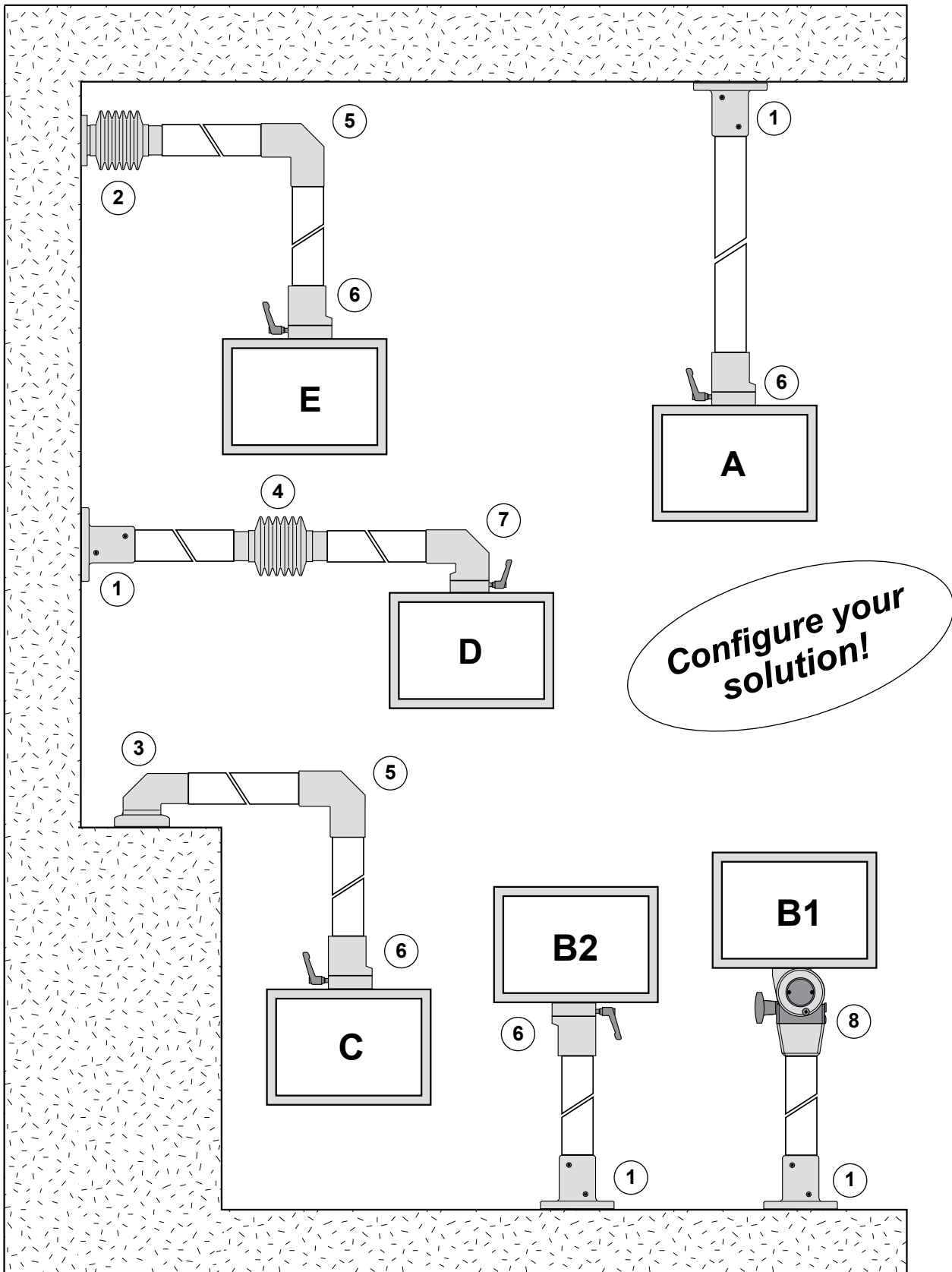
The load (a + b + enclosure + installed equipment) must be less than the maximum load.

#### Example:


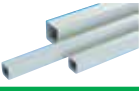








Using a system with a diameter of 80 mm (3.1 in.), with an intermediate joint, with an offset of 1700 mm (66.9 in.), the maximum supported load is 80 kg (176.4 lbs).



# Assembly overview




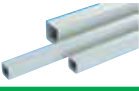








See pages 3/70 and 3/71 for numbered and lettered items.

Enclosure	H W D: mm (in.) top wall	Catalog number					
		To ceiling		B1 on floor		B2 on floor	
		50 mm (2.0 in.)	80 mm (3.1 in.)	50 mm (2.0 in.)	80 mm (3.1 in.)	50 mm (2.0 in.)	80 mm (3.1 in.)
	300 (11.8) 300 (11.8) 200 (7.9)	NSYS3CM303020	-	NSYS3CM303020	-	NSYS3CM303020	-
	300 (11.8) 400 (15.7) 200 (7.9)	NSYS3CM304020	-	NSYS3CM304020	-	NSYS3CM304020	-
	400 (15.7) 400 (15.7) 200 (7.9)	NSYS3CM404020	-	NSYS3CM404020	-	NSYS3CM404020	-
	400 (15.7) 600 (23.6) 250 (9.8)	NSYS3CM406025	-	NSYS3CM406025	-	NSYS3CM406025	-
	500 (19.7) 500 (19.7) 250 (9.8)	NSYS3CM505025	-	NSYS3CM505025	-	NSYS3CM505025	-
	600 (23.6) 600 (23.6) 200 (7.9)	NSYS3CM606020	-	NSYS3CM606020	-	NSYS3CM606020	-
	600 (23.6) 800 (31.5) 300 (11.8)	-	NSYS3CM608030	-	NSYS3CM608030	-	NSYS3CM608030
800 (31.5) 600 (23.6) 300 (11.8)	-	NSYS3CM806030	-	NSYS3CM806030	-	NSYS3CM806030	
Tube	Length: m (in.) / Tube section	50 mm (2.0 in.)	80 mm (3.1 in.)	50 mm (2.0 in.)	80 mm (3.1 in.)	50 mm (2.0 in.)	80 mm (3.1 in.)
	0.5 (0.02)	NSYCMT5005	NSYCMT8005	NSYCMT5005	NSYCMT8005	NSYCMT5005	NSYCMT8005
	1 (0.04)	NSYCMT5010	NSYCMT8010	NSYCMT5010	NSYCMT8010	NSYCMT5010	NSYCMT8010
	1.5 (0.06)	NSYCMT5015	NSYCMT8015	NSYCMT5015	NSYCMT8015	NSYCMT5015	NSYCMT8015
	2 (0.1)	NSYCMT5020	NSYCMT8020	NSYCMT5020	NSYCMT8020	NSYCMT5020	NSYCMT8020
Mounting on support (steel material)							
	① Fixed base (page 3/76)	NSYCMUMR50	NSYCMUMR80	NSYCMUMR50	NSYCMUMR80	NSYCMUMR50	NSYCMUMR80
	② Wall mounting with joint (page 3/76)	-	-	-	-	-	-
	③ Rotating straight mounting (page 3/77)	-	-	-	-	-	-
Inter-tube mounting (aluminum material)							
	④ Horizontal inter-tube joint (page 3/78)	-	-	-	-	-	-
	⑤ Fixed bracket (page 3/78)	-	-	-	-	-	-
Mounting on enclosure (aluminum material)							
	⑥ Rotating mounting on enclosure (page 3/80)	NSYCMUCR50	NSYCMUCR80	-	-	NSYCMUCR50	NSYCMUCR80
	⑦ Rotating mounting in bracket on enclosure (page 3/81)	-	-	-	-	-	-
	⑧ Tilting mounting on enclosure (page 3/82)	-	-	NSYCMUCP50 (1) NSYCMUCP80 (2)	NSYCMUCP50 (3) NSYCMUCP80 (3)	-	-

(1) For tube Ø 50 mm (2.0 in.).

(2) For tube Ø 80 mm (3.1 in.).

(3) Installation on enclosure D300 requires adapter plate, catalog no. NSYCMUCPAD87 (page 3/82).

Enclosure	H W D: mm (in.) top wall	Catalog number					
		C on frame		D on wall		E on wall	
		50 mm (2.0 in.)	80 mm (3.1 in.)	50 mm (2.0 in.)	80 mm (3.1 in.)	50 mm (2.0 in.)	80 mm (3.1 in.)
	300 (11.8) 300 (11.8) 200 (7.9)	NSYS3CM303020	-	NSYS3CM303020	-	NSYS3CM303020	-
	300 (11.8) 400 (15.7) 200 (7.9)	NSYS3CM304020	-	NSYS3CM304020	-	NSYS3CM304020	-
	400 (15.7) 400 (15.7) 200 (7.9)	NSYS3CM404020	-	NSYS3CM404020	-	NSYS3CM404020	-
	400 (15.7) 600 (23.6) 250 (9.8)	NSYS3CM406025	-	NSYS3CM406025	-	NSYS3CM406025	-
	500 (19.7) 500 (19.7) 250 (9.8)	NSYS3CM505025	-	NSYS3CM505025	-	NSYS3CM505025	-
	600 (23.6) 600 (23.6) 200 (7.9)	NSYS3CM606020	-	NSYS3CM606020	-	NSYS3CM606020	-
	600 (23.6) 800 (31.5) 300 (11.8)	-	NSYS3CM608030	-	NSYS3CM608030	-	NSYS3CM608030
	800 (31.5) 600 (23.6) 300 (11.8)	-	NSYS3CM806030	-	NSYS3CM806030	-	NSYS3CM806030
Tube	Length: m (in.) / Tube section	50 mm (2.0 in.)	80 mm (3.1 in.)	50 mm (2.0 in.)	80 mm (3.1 in.)	50 mm (2.0 in.)	80 mm (3.1 in.)
	0.5 (0.02)	NSYCMT5005	NSYCMT8005	NSYCMT5005	NSYCMT8005	NSYCMT5005	NSYCMT8005
	1 (0.04)	NSYCMT5010	NSYCMT8010	NSYCMT5010	NSYCMT8010	NSYCMT5010	NSYCMT8010
	1.5 (0.06)	NSYCMT5015	NSYCMT8015	NSYCMT5015	NSYCMT8015	NSYCMT5015	NSYCMT8015
	2 (0.1)	NSYCMT5020	NSYCMT8020	NSYCMT5020	NSYCMT8020	NSYCMT5020	NSYCMT8020
Mounting on support (steel material)							
	① Fixed base (page 3/76)	-	-	NSYCMUMR50	NSYCMUMR80	-	-
	② Wall mounting with joint (page 3/76)	-	-	-	-	NSYCMUMA50	NSYCMUMA80
	③ Rotating straight mounting (page 3/77)	NSYCMUMC50	NSYCMUMC80	-	-	-	-
Inter-tube mounting (aluminum material)							
	④ Horizontal inter-tube joint (page 3/78)	-	-	NSYCMUIA50	NSYCMUIA80	-	-
	⑤ Fixed bracket (page 3/78)	NSYCMUTC50	NSYCMUTC80	-	-	NSYCMUTC50	NSYCMUTC80
Mounting on enclosure (aluminum material)							
	⑥ Rotating mounting on enclosure (page 3/80)	NSYCMUCR50	NSYCMUCR80	-	-	NSYCMUCR50	NSYCMUCR80
	⑦ Rotating mounting in bracket on enclosure (page 3/81)	-	-	NSYCMUCC50	NSYCMUCC80	-	-
	⑧ Tilting mounting on enclosure (page 3/82)	-	-	-	-	-	-

# Human-machine dialog enclosures

## Control enclosure

### Characteristics

3



### Technical characteristics

- RAL 7035 gray, structured finish, epoxy-polyester powder.
- Protection degree: IP54.
- Resistance to external mechanical impacts: IK10.
- Dimensions and weights, see page 3/73.

The control enclosures consist of:

- **A steel body equipped with:**
  - Reinforcement plate: the top wall is reinforced by a 3 mm (0.1 in.) plate and pierced with a hole  $\varnothing$  54 or 87 mm (2.1 or 3.4 in.) (according to the model) to allow hanging installation of the enclosure.
  - 4 welded studs on the 2 inner vertical walls, for mounting the rails.
  - 2 rails (with drill holes) for installing equipment.
  - A rear door, opening to 120° and closing with double-bar lock.

- **An aluminum front face, 2.5 mm (0.01 in.) thick:**
  - This surface is protected on both sides by a plastic film, allowing installation of the dialog elements.
  - A trim frame made from 4 extruded-aluminum rails: the frame and the front face are delivered assembled. Structured finish, epoxy-polyester powder, RAL 7040 gray color (other colors on request).

- **The rails are designed for mounting accessories such as:**
  - Lighting
  - Document supports
  - Keyboard supports
  - Laptop supports.



Perforated rails installed on lateral studs.



Rear door with double-bar lock.



Frame ergonomics.



Mounting of the trim frame by screws.



Detail of the reinforcement plate.



Installation example.

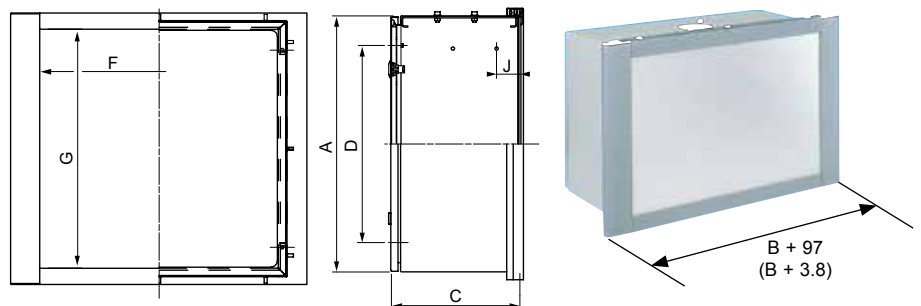


External dimensions: mm (in.)			D	F	G	H	J	K	L	PPC (1)	Weight: kg (lbs)	Tube section: mm (in.)	Enclosure
Height A	Width B	Depth C											Catalog number
300 (11.8)	300 (11.8)	200 (7.9)	162 (6.4)	260 (10.2)	260 (10.2)	100 (3.9)	45 (1.8)	58 (2.3)	7 (0.3)	-	8.6 (19.0)	50 (2.0)	NSYS3CM303020
300 (11.8)	400 (15.7)	200 (7.9)	162 (6.4)	260 (10.2)	360 (14.2)	100 (3.9)	45 (1.8)	58 (2.3)	7 (0.3)	-	9.5 (20.9)	50 (2.0)	NSYS3CM304020
400 (15.7)	400 (15.7)	200 (7.9)	262 (10.3)	360 (14.2)	360 (14.2)	100 (3.9)	45 (1.8)	58 (2.3)	7 (0.3)	-	11.4 (25.1)	50 (2.0)	NSYS3CM404020
400 (15.7)	600 (23.6)	250 (9.8)	262 (10.3)	360 (14.2)	560 (22.0)	125 (4.9)	75 (3.0)	58 (2.3)	7 (0.3)	•	17.9 (39.5)	50 (2.0)	NSYS3CM406025 (1)
500 (19.7)	500 (19.7)	250 (9.8)	362 (14.3)	460 (18.1)	460 (18.1)	125 (4.9)	75 (3.0)	58 (2.3)	7 (0.3)	-	20.2 (44.5)	50 (2.0)	NSYS3CM505025
600 (23.6)	600 (23.6)	200 (7.9)	462 (18.2)	560 (22.0)	560 (22.0)	100 (3.9)	45 (1.8)	58 (2.3)	7 (0.3)	•	26.5 (58.4)	50 (2.0)	NSYS3CM606020 (1)
600 (23.6)	800 (31.5)	300 (11.8)	462 (18.2)	560 (22.0)	760 (29.9)	150 (5.9)	100 (3.9)	87 (3.4)	9 (0.4)	-	34.9 (76.9)	80 (3.1)	NSYS3CM608030
800 (31.5)	600 (23.6)	300 (11.8)	662 (26.1)	760 (29.9)	560 (22.0)	150 (5.9)	100 (3.9)	87 (3.4)	9 (0.4)	•	33.6 (74.1)	80 (3.1)	NSYS3CM806030 (1)

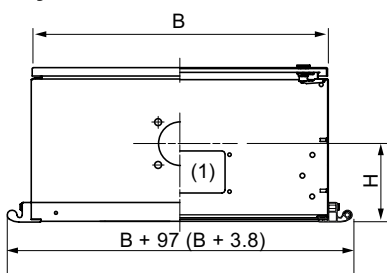
(1) Enclosure equipped with a cable-gland plate (see diagram below).

A: Height  
B: Width  
C: Depth

#### Control enclosure

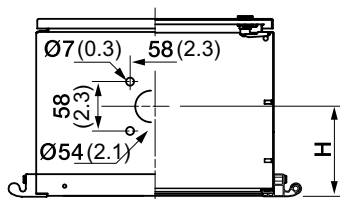


#### W600 enclosure + keyboard installation

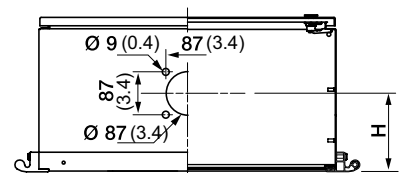


(1) PPC: cable-gland plate.

#### Enclosure D200 to D250



#### D300 enclosure



# Human-machine dialog enclosures

## Keyboard box for control enclosure

### Characteristics



The box is for installation on control enclosures with a width of 600 mm (23.6 in.). When installed, the front face rotates 120°. All the accessories required for installation are supplied: 2 brackets, 1 trim rail and 1 hose for cable entry.

### Technical characteristics

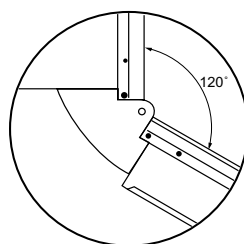
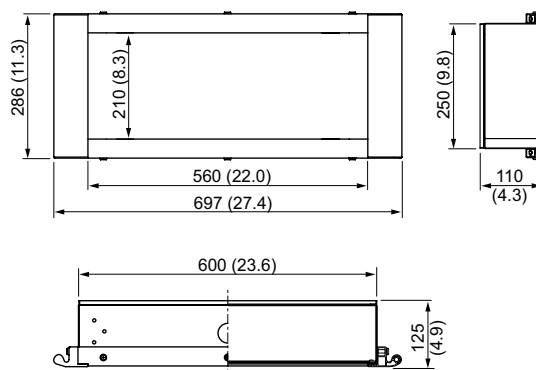
- Protection degree: IP54.
- Resistance to external mechanical impacts: IK10.
- Weight: 8 kg (17.6 lbs).

The keyboard box consists of:

- A steel body, structured finish, epoxy-polyester powder, RAL 7035 gray color, with a screwed-on cover.
- An aluminum front face, 2.5 mm (0.01 in.) thick, for installing a keyboard.
- A trim frame made from 2 extruded-aluminum rails to help ensure ergonomic handling of the box and the aesthetics of the unit.
- The frame and the front face are delivered assembled. Structured finish, epoxy-polyester powder, RAL 7040 gray color.

3

External dimensions: mm (in.)			Keyboard box
Height	Width	Depth	Catalog number
250 (9.8)	600 (23.6)	110 (4.3)	<b>NSYCMT2560110</b>



**Detail from the installation of the keyboard box on the control enclosure**



**Example**  
Enclosure equipped with the keyboard box.

# Accessories

## Support and lighting



Support example.

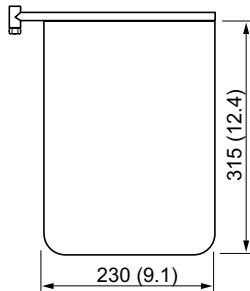
### Support

- Three different types of support are available:
  - Vertical support for documents, size 315 × 230 mm (12.4 × 9.1 in.), sheet steel 1.2 mm (0.05 in.) thick.
  - Horizontal support for keyboard, size 500 × 200 mm (19.7 × 7.9 in.), sheet steel 2 mm (0.08 in.) thick.
  - Horizontal support for laptop computer, size 350 × 310 mm (13.8 × 12.2 in.), sheet steel 2 mm (0.08 in.) thick.
- Supports can be installed on the left or right rail of the control enclosure frame.
- Structured finish, epoxy-polyester powder, RAL 7035 gray color.

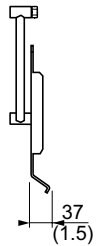
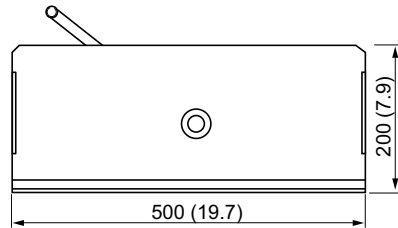
Weight: kg (lbs)	Type of support	Catalog number
1.15 (2.5)	Vertical	<b>NSYCMSPP</b>
2.16 (4.8)	Keyboard	<b>NSYCMBPT</b>
2.04 (4.5)	Laptop computer	<b>NSYCMBPC</b>



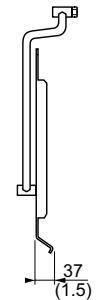
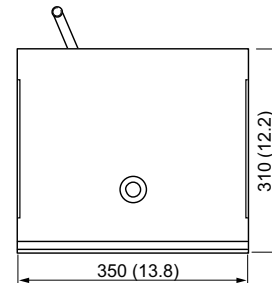
NSYCMSPP



NSYCMBPT



NSYCMBPC

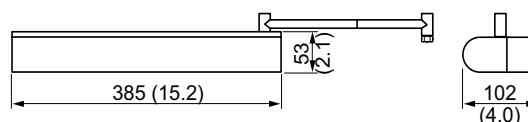


NSYMLAG lighting.

### Lighting

- A lighting accessory mounts directly to the left or right rail of the control enclosure frame.
- Low-power lighting source, E27 socket, 11 W, 220–240 V / 50–60 Hz.
- Protection degree: IP20.
- Insulation class II.
- According to standards IEC 55014 and IEC 61000-6-2.
- Weight: 1.5 kg (3.3 lbs).

Name	Catalog number
Lighting	<b>NSYMLAG</b>





# Accessories

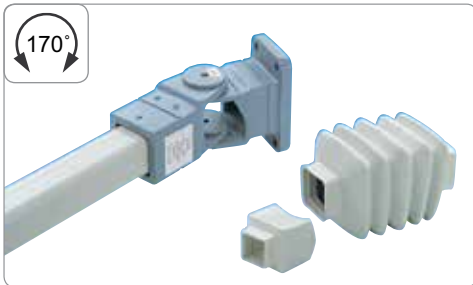
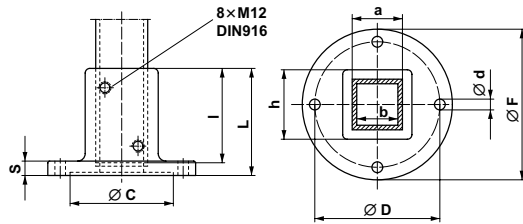
## Mounting supports



### 1 Fixed base

- Support foot for direct horizontal or vertical connection.
- Material: molded steel, structured finish, powder, RAL 7040 gray color.

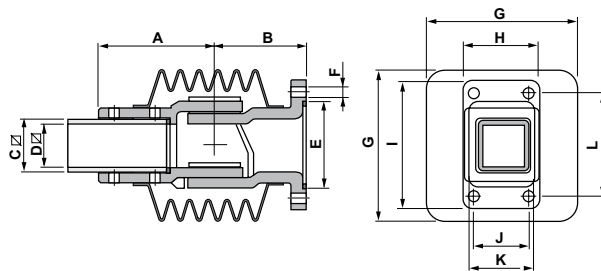
Dimensions: mm (in.)										Weight: kg (lbs)	Catalog number
□ a	b	c	d	D	F	h	I	L	S		
50 (2.0)	42 (1.7)	105 (4.1)	11 (0.4)	125 (4.9)	152 (6.0)	72 (2.8)	97 (3.8)	110 (4.3)	15 (0.6)	3.25 (7.2)	NSYCMUMR50
80 (3.1)	72 (2.8)	134 (5.3)	11 (0.4)	173 (6.8)	201 (7.9)	111 (4.4)	126 (5.0)	140 (5.5)	16 (0.6)	7 (15.4)	



### 2 Wall mounting with joint

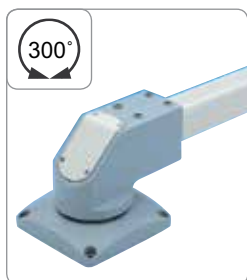
- This wall mounting accessory allows a horizontal tube to be mounted on a vertical surface. The accessory has a square mounting section of 50 or 80 mm (2.0 or 3.1 in.) and allows rotation through 170°.
- Protection by bellows, RAL 7035 gray color.
- Possibility of passing cables through the inside of the joint.
- Material: molded steel, structured finish, powder, RAL 7040 gray color.

Dimensions: mm (in.)												Weight: kg (lbs)	Catalog number
□ C	A	B	D	E	F	G	H	I	J	K	L		
50 (2.0)	118 (4.6)	92 (3.6)	42 (1.7)	85 (3.3)	11 (0.4)	148 (5.8)	80 (3.1)	130 (5.1)	55 (2.2)	68 (2.7)	105 (4.1)	4.35 (9.6)	NSYCMUMA50
80 (3.1)	160 (6.3)	115 (4.5)	72 (2.8)	130 (5.1)	11 (0.4)	190 (7.5)	115 (4.5)	175 (6.9)	90 (3.5)	103 (4.1)	150 (5.9)	9.45 (20.8)	



# Accessories

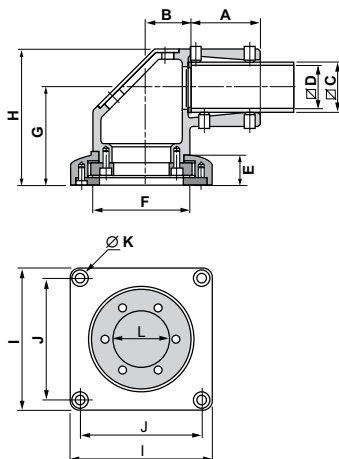
## Mounting supports



### 3 Rotating straight mounting

- This mounting accessory allows a tube to be mounted on a horizontal surface. The accessory has a square mounting section of 50 or 80 mm (2.0 or 3.1 in.) and allows rotation through 295°.
- Without blocking the chosen position.
- Option of passing cables through the inside.
- Material: molded steel, structured finish, epoxy-polyester powder, RAL 7040 gray color.
- Mounting by 4 screws, not included.

Dimensions: mm (in.)												Weight: kg (lbs)	Catalog number
□ C	A	B	D	E	F	G	H	I	J	K	L		
50 (2.0)	68 (2.7)	50 (2.0)	42 (1.7)	30 (1.2)	96 (3.8)	96 (3.8)	134 (5.3)	140 (5.5)	120 (4.7)	9 (0.4)	55 (2.2)	5.4 (11.9)	<b>NSYCMUMC50</b>
80 (3.1)	98 (3.9)	74 (2.9)	72 (2.8)	45 (1.8)	144 (5.7)	141.5 (5.6)	195.5 (7.7)	210 (8.3)	180 (7.1)	13 (0.5)	84 (3.3)	15.7 (34.6)	<b>NSYCMUMC80</b>

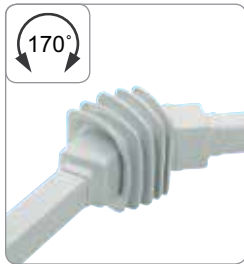


**Example**  
Installation with a tilting mount on the enclosure and a fixed base.



# Accessories

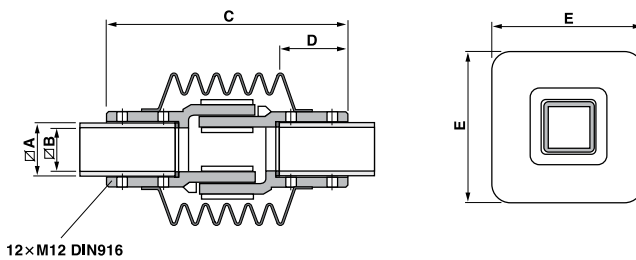
## Inter-tube joint



### 4 Horizontal inter-tube joint

- This accessory allows two horizontal tubes to be joined. The accessory has a square linking section of 50 or 80 mm (2.0 or 3.1 in.) and allows rotation through 170°.
- Protection by bellows, RAL 7035 gray color.
- Possibility of passing cables through the inside of the joint.
- Material: molded steel, structured finish, powder, RAL 7040 gray color.

Dimensions: mm (in.)					Weight: kg (lbs)	Catalog number
∅ A	B	C	D	E		
50 (2.0)	42 (1.7)	236 (9.3)	67 (2.6)	148 (5.8)	4.25 (9.4)	<b>NSYCMUIA50</b>
80 (3.1)	72 (2.8)	320 (12.6)	94 (3.7)	190 (7.5)	10 (22.0)	<b>NSYCMUIA80</b>



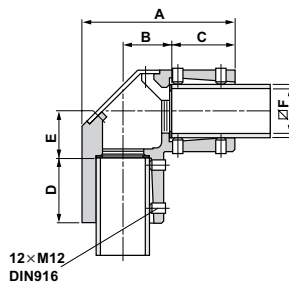
### 5 Fixed bracket

Our system of fixed or rotating tubes and joints allows the control and human-machine dialog enclosures and accessories to be installed in the optimal way for most applications.

Every model is suitable for tubes with a square section of 50 mm (2.0 in.) for light loads, or of 80 mm (3.1 in.) for heavy loads (see selection table on page 3/70).

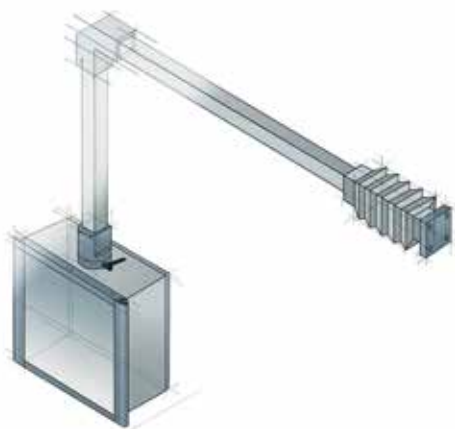
- This accessory allows a horizontal and vertical tube to be linked.
- Two models for tubes with a square section of 50 or 80 mm (2.0 or 3.1 in.).
- Option of passing cables through the inside.
- Material: aluminum, structured finish, powder, RAL 7040 gray color.

Dimensions: mm (in.)							Weight: kg (lbs)	Fixed bracket Catalog number
∅ G	A	B	C	D	E	F		
50 (2.0)	144 (5.7)	46 (1.8)	60 (2.4)	60 (2.4)	46 (1.8)	42 (1.7)	1.35 (3.0)	<b>NSYCMUTC50</b>
80 (3.1)	193 (7.6)	56 (2.2)	83 (3.3)	83 (3.3)	56 (2.2)	70 (2.8)	2.4 (5.3)	<b>NSYCMUTC80</b>



## Accessories

### Inter-tube joint



**Example**  
Installation on enclosure with rotating straight mounting, fitting bracket and wall mounting with joint.



**Installation example**  
Installation with rotating straight mounting on enclosure, horizontal inter-tube joint and rotating straight mounting.

# Accessories

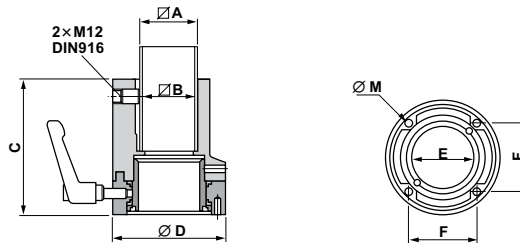
## Mounting on enclosure



### 6 Rotating mounting on enclosure

- This accessory allows a vertical tube to be mounted on the enclosure. The accessory has a square linking section of 50 or 80 mm (2.0 or 3.1 in.) and allows rotation through 310°.
- System for locking in the chosen position.
- Option of passing cables through the inside.
- Material: aluminum, structured finish, powder, RAL 7040 gray color.
- Mounts on the support surface with 4 screws.

Dimensions: mm (in.)							Weight: kg (lbs)	Catalog number
∅ A	B	C	D	E	F	M		
50 (2.0)	42 (1.7)	115 (4.5)	96 (3.8)	52.3 (2.1)	58 (2.3)	M6	1.25 (2.8)	<b>NSYCMUCR50</b>
80 (3.1)	72 (2.8)	145 (5.7)	139 (5.5)	85 (3.3)	87 (3.4)	M8	3.1 (6.8)	<b>NSYCMUCR80</b>



# Accessories

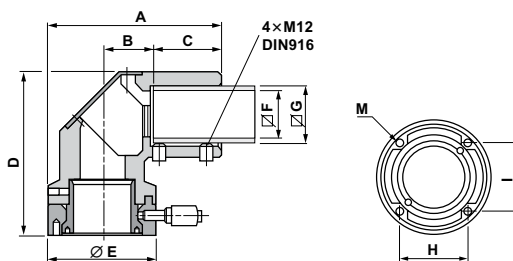
## Mounting on enclosure



### 7 Rotating mounting in bracket on enclosure

- This accessory allows a horizontal tube to be mounted on the enclosure. The accessory has a square linking section of 50 or 80 mm (2.0 or 3.1 in.) and allows rotation through 310°.
- System for locking in the chosen position.
- Option of passing cables through the inside.
- Material: aluminum, structured finish, powder, RAL 7040 gray color.
- Mounts on the support surface with 4 screws.

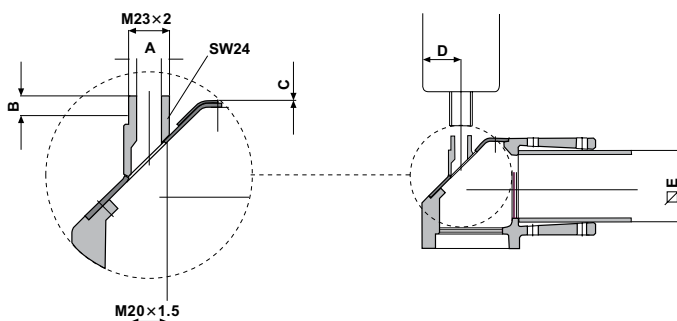
Dimensions: mm (in.)										Weight: kg (lbs)	Catalog number	
∅ G	A	B	C	D	E	F	H	I	M			
50 (2.0)	154 (6.1)	46 (1.8)	60 (2.4)	147 (5.8)	96 (3.8)	42 (1.7)	42 (1.7)	58 (2.3)		M6	2 (4.4)	<b>NSYCMUCC50</b>
80 (3.1)	208.5 (8.2)	56 (2.2)	83 (3.3)	190 (7.5)	139 (5.5)	72 (2.8)	70 (2.8)	87 (3.4)		M8	6.55 (14.4)	<b>NSYCMUCC80</b>



### Adapter for signalling beacon

- This adapter allows the direct installation of a beacon for signalling the state of the machine.
- It is installed on fixed brackets catalog no. **NSYCMUTC50** and **NSYCMUTC80**.
- Option of passing cables through the inside.
- Material: aluminum, structured finish, powder, RAL 7040 gray color.

Dimensions: mm (in.)					Weight: kg (lbs)	Catalog number
∅ E	A	B	C	D		
50 (2.0)	14 (0.6)	11 (0.4)	8.7 (0.3)	31.5 (1.2)	0.025 (0.1)	<b>NSYCMACS50</b>
80 (3.1)	14 (0.6)	11 (0.4)	2.5 (0.01)	43 (1.7)	0.08 (0.2)	<b>NSYCMACS80</b>



# Accessories

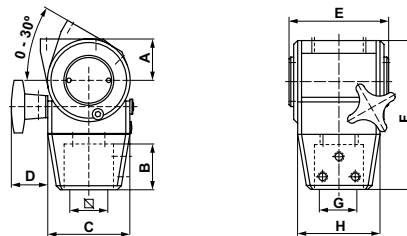
## Mounting on enclosure



### 8 Tilting mounting on enclosure

- This accessory allows the enclosure to be tilted up to 30°.
- System for locking in the chosen position.
- It can be installed on enclosures with depths of 200 and 250 mm (7.9 and 9.8 in.).
- Installation on enclosures with a depth of 300 mm (11.8 in.) requires use of adapter plate **NSYCMUCPAD87**.

Dimensions: mm (in.)									Weight: kg (lbs)	Catalog number Ø 50 mm (2.0 in.)
Ø for tube	A	B	C	D	E	F	G	H		
50 (2.0)	50 (2.0)	55 (2.2)	100 (3.9)	44 (1.7)	121 (4.8)	182 (7.2)	50 (2.0)	100 (3.9)	2.98 (6.6)	<b>NSYCMUCP50</b>
80 (3.1)	50 (2.0)	55 (2.2)	100 (3.9)	44 (1.7)	121 (4.8)	182 (7.2)	50 (2.0)	100 (3.9)	3.10 (6.8)	<b>NSYCMUCP80</b>

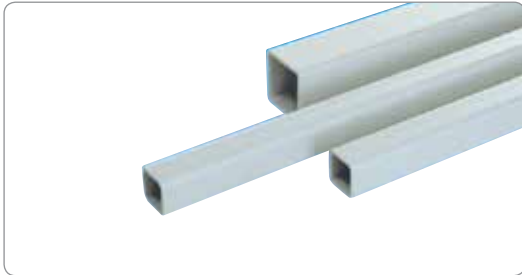


### Adapter plate for enclosure D300 / [ 80 mm (3.1 in.)

Catalog number  
**NSYCMUCPAD87**

# Accessories

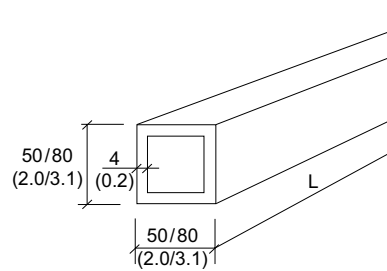
## Length elements



### Tube

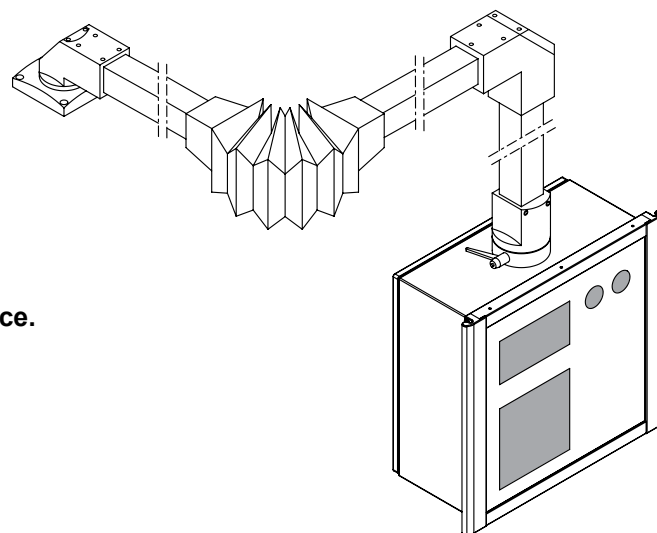
- The tubes are available in:
  - 2 sizes: square of 50 and 80 mm (2.0 and 3.1 in.),
  - 4 lengths: 0.5, 1, 1.5 and 2 m (19.7, 39.4, 59.1 and 78.7 in.).
- Material: extruded steel, 4 mm (0.2 in.) thick, structured finish, powder, RAL 7035 gray color.
- Weights:
  - 50 × 80 mm (2.0 × 3.1 in.): 6.5 kg/m.
  - 80 × 80 mm (3.1 × 3.1 in.): 10.5 kg/m.

Joints		
Catalog number		
Length: m (in.)	50 mm (2.0 in.) square	80 mm (3.1 in.) square
0.5 (19.7)	<b>NSYCMT5005</b>	<b>NSYCMT8005</b>
1 (39.4)	<b>NSYCMT5010</b>	<b>NSYCMT8010</b>
1.5 (59.1)	<b>NSYCMT5015</b>	<b>NSYCMT8015</b>
2 (78.7)	<b>NSYCMT5020</b>	<b>NSYCMT8020</b>



Specific

Contact us about cut-outs on the enclosure front face.









<b>Spacial® SM Compact metal enclosures</b> .....	4/2
Characteristics .....	4/5
Dimensions .....	4/7
Selection guide .....	4/8
<b>Spacial SF Modular metal enclosures</b> .....	4/10
Characteristics .....	4/16
Assembled supply .....	4/18
Supplied as a kit .....	4/20
Dimensions .....	4/24
<b>Accessories</b> .....	4/25
Panels .....	4/25
Enclosure modules .....	4/29
Floor .....	4/34
Cable entry .....	4/48
Lifting systems .....	4/54
Roof .....	<b>4/57</b>
Wall-mounting .....	4/63
Doors and door accessories .....	4/64
Locking systems .....	4/68
<b>Spacial SF applications</b> .....	4/74
Compartmentalized enclosures .....	4/74
PC Rack .....	4/87
Electronic applications .....	4/92



# Compact metal enclosures

## Overview

4

Convenience



Robustness



Comfort



Practicality



Protection



### Robustness:

Body is constructed as a single piece with welded rear panel. The front forms a rigid frame with welded corners.

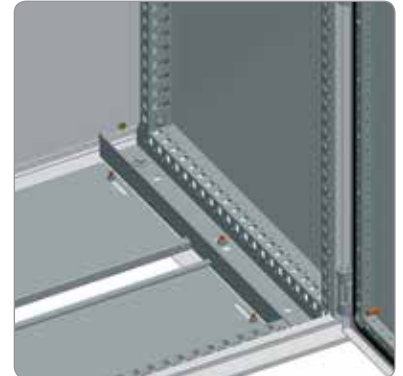


# Compact metal enclosures

## Overview

### Practicality:

The two door rails have adjustable heights and can be used for attaching cables. The adaptation profile installed in the front of the enclosure and the universal 40-mm (1.6 in.) cross rail (1 row) in the rear provide the same mounting points as the modular enclosure.



### Protection:

The rigidity of the enclosure and the expanded polyurethane sealing gasket and welds help ensure IK and IP protection. Double-door enclosures with inner lock on the left door.



### Comfort:

The handle has a sturdy design for easily activating the locking system, allowing the installation of any shape insert and any cylindrical combination key. Inserts are easily interchangeable with one click.



# Compact metal enclosures

## Overview



### Compact metal enclosures

- IP55 protection.
- IK10 ruggedness for plain door, and IK08 for transparent door.
- Sheet steel body with welded rear panel.
- The front forms a rigid frame with welded corners.
- Doors are made from folded and welded steel and open to 120°. The hinges have a captive pin made from zamack. The handle lock has a 5-mm (0.2 in.) double-bar insert.
- Enclosure comes assembled with a plain or transparent door, painted with epoxy-polyester resin, textured RAL 7035 gray, with or without a galvanized-steel mounting plate.

	Page
Characteristics	4/5
Dimensions	4/7
Selection guide	4/8



### EMC

- Enclosures made from sheets of Aluzinc 150.
- The presence of 55% aluminum on the surface helps ensure good reflection of electromagnetic waves.
- Available on request.

Page
3/38

# Compact metal enclosures

## Characteristics



### Front door and rear panel, with or without galvanized mounting plate, IP55 protection

#### Basic composition

- Structure: Sheet steel body with welded rear panel. The front forms a rigid frame with welded corners.
- Two front door styles:
  - Plain door with reinforcement frame.
  - Or, transparent Securit glass door.
- The double doors overlap, with an inner lock on the left door.
- Welded rear panel.
- Standard locking system with a handle and 5-mm (0.2 in.) double-bar insert.
- 4 support brackets for the mounting plate.
- Cable-gland plate in 2 parts.
- Supplied with or without a galvanized mounting plate, depending on the model.
- Options:
  - Cross rails.
  - Individual plinths with heights of 100 and 200 mm (3.9 and 7.9 in.).

#### Certifications

- BV, DNV, UL\* and CUL.
  - \*1 Door: 1, 2, 3, 3R, 4, 5, 12, 12K and 13
  - \*2 Doors: 1, 12, 12K

#### Easy installation

- The **Spacial SM** compact metal enclosure is made up of a compact body, with a welded rear panel. The front forms a rigid frame with welded corners. The enclosure has 4 deep supports, 2 at the top and 2 at the bottom, for adjusting the equipment mounting bracket with a pitch of 25 mm (1.0 in.).
- Sheet-steel door, painted with epoxy-polyester resin in textured RAL 7035 gray. Reinforcement frame made up of two perforated uprights with a pitch of 25 mm (1.0 in.) and two height-adjustable door rails, which can be used for mounting cables. Vertical profiles with a height of 1200 mm (47.2 in.).
- 4 zamak hinges and 4 locking points for the enclosures, with heights from 1200 to 2000 mm (47.2 to 78.7 in.).
- Cable-gland plate in two parts with sealing gasket cross-section of 3 × 10 mm (0.1 × 0.4 in.).
- A broad range of accessories offered for the production of:
  - Plates for automation equipment.
  - 482.6 mm (19 in.) racks.
- Degree of protection IP55 according to IEC 60529.
- Resistance to mechanical impacts: IK10 according to IEC 62262 (IK08 for the transparent doors).




#### Locking system

- New design, modern appearance, ergonomic, sturdy, complying with numerous specifications:
  - Combination keys.
  - Shape inserts.
  - Push button.
- Optional:
  - Handle lock for versions DIN, KABA, ASSA.
  - Handle lock for 2 inserts, "AND" or "OR" combination.
  - Padlock locking.
  - CNOMO kit.




# Compact metal enclosures

## Accessory overview

### Main accessories

Locks and lock inserts	Lifting systems	Plinths
		
<p>Page 4/68</p>	<p>Page 4/56</p>	<p>Page 4/34</p>

Inner door	Door accessories
	
<p>Page 4/64</p>	<p>Pages 4/66 and 8/96</p>

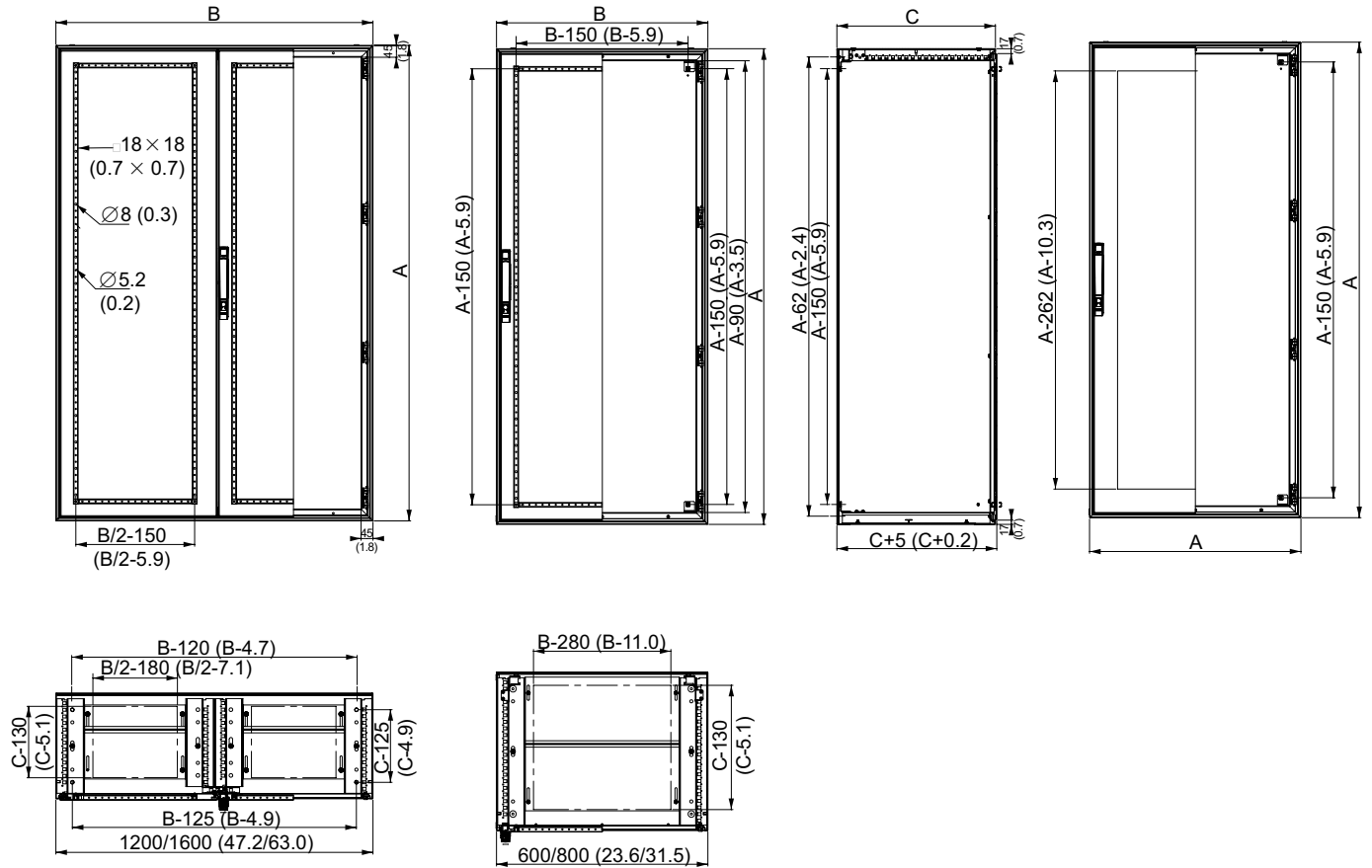
Mounting plate	Adaptation profiles	Rails
		
<p>Page 8/10</p>	<p>Page 8/33</p>	<p>Page 8/48</p>

Cross rails

<p>Page 8/30</p>

# Compact metal enclosures

## Dimensions



Models with a width of 1200 mm (47.2 in.)  
without top/bottom adjustment rails



# Compact metal enclosures

## Selection guide



Nominal dimensions: mm (in.)			No. of doors	Plain door		Transparent door	Plinth	
Height (A)	Width (B)	Depth (C)		With mounting plate	Without mounting plate	Without mounting plate	Height 100 mm (3.9 in.)	
							Front kit (corners + front panels)	Side panels, 2 U (1)
1200 (47.2)	800 (31.5)	300 (11.8)	1	NSYSM12830P	NSYSM12830	-	NSYSPF8100	NSYSPS3100
1200 (47.2)	1000 (39.4)	300 (11.8)	2	NSYSM1210302DP	NSYSM1210302D	-	NSYSPF10100	NSYSPS3100
1200 (47.2)	1200 (47.2)	400 (15.7)	2	NSYSM1212402DP	NSYSM1212402D	-	NSYSPF12100	NSYSPS4100
1400 (55.1)	600 (23.6)	300 (11.8)	1	NSYSM14630P	NSYSM14630	-	NSYSPF6100	NSYSPS3100
1400 (55.1)	800 (31.5)	400 (15.7)	1	NSYSM14640P	NSYSM14640	-	NSYSPF6100	NSYSPS4100
1400 (55.1)	800 (31.5)	300 (11.8)	1	NSYSM14830P	NSYSM14830	-	NSYSPF8100	NSYSPS3100
1400 (55.1)	800 (31.5)	400 (15.7)	1	NSYSM14840P	NSYSM14840	NSYSM14840T	NSYSPF8100	NSYSPS4100
1400 (55.1)	1000 (39.4)	400 (15.7)	2	NSYSM1410402DP	NSYSM1410402D	-	NSYSPF10100	NSYSPS4100
1400 (55.1)	1200 (47.2)	400 (15.7)	2	NSYSM1412402DP	NSYSM1412402D	-	NSYSPF12100	NSYSPS4100
1600 (63.0)	600 (23.6)	300 (11.8)	1	NSYSM16630P	NSYSM16630	-	NSYSPF6100	NSYSPS3100
1600 (63.0)	800 (31.5)	400 (15.7)	1	NSYSM16640P	NSYSM16640	NSYSM16640T	NSYSPF6100	NSYSPS4100
1600 (63.0)	800 (31.5)	300 (11.8)	1	NSYSM16830P	NSYSM16830	NSYSM16830T	NSYSPF8100	NSYSPS3100
1600 (63.0)	800 (31.5)	400 (15.7)	1	NSYSM16840P	NSYSM16840	NSYSM16840T	NSYSPF8100	NSYSPS4100
1600 (63.0)	1000 (39.4)	300 (11.8)	2	NSYSM1610302DP	NSYSM1610302D	-	NSYSPF10100	NSYSPS3100
1600 (63.0)	1000 (39.4)	400 (15.7)	2	NSYSM1610402DP	NSYSM1610402D	-	NSYSPF10100	NSYSPS4100
1600 (63.0)	1200 (47.2)	300 (11.8)	2	NSYSM1612302DP	NSYSM1612302D	-	NSYSPF12100	NSYSPS3100
1600 (63.0)	1200 (47.2)	400 (15.7)	2	NSYSM1612402DP	NSYSM1612402D	-	NSYSPF12100	NSYSPS4100
1800 (70.9)	600 (23.6)	300 (11.8)	1	NSYSM18630P	NSYSM18630	-	NSYSPF6100	NSYSPS3100
1800 (70.9)	600 (23.6)	400 (15.7)	1	NSYSM18640P	NSYSM18640	NSYSM18640T	NSYSPF6100	NSYSPS4100
1800 (70.9)	600 (23.6)	500 (19.7)	1	NSYSM18650P	NSYSM18650	-	NSYSPF6100	NSYSPS5100
1800 (70.9)	800 (31.5)	300 (11.8)	1	NSYSM18830P	NSYSM18830	NSYSM18830T	NSYSPF8100	NSYSPS3100
1800 (70.9)	800 (31.5)	400 (15.7)	1	NSYSM18840P	NSYSM18840	NSYSM18840T	NSYSPF8100	NSYSPS4100
1800 (70.9)	800 (31.5)	500 (19.7)	1	NSYSM18850P	NSYSM18850	NSYSM18850T	NSYSPF8100	NSYSPS5100
1800 (70.9)	800 (31.5)	600 (23.6)	1	NSYSM18860P	NSYSM18860	-	NSYSPF8100	NSYSPS6100
1800 (70.9)	1000 (39.4)	400 (15.7)	1	NSYSM181040P	NSYSM181040	-	NSYSPF10100	NSYSPS4100
1800 (70.9)	1000 (39.4)	400 (15.7)	2	NSYSM1810402DP	NSYSM1810402D	-	NSYSPF10100	NSYSPS4100
1800 (70.9)	1000 (39.4)	500 (19.7)	2	NSYSM1810502DP	NSYSM1810502D	-	NSYSPF10100	NSYSPS5100
1800 (70.9)	1200 (47.2)	400 (15.7)	2	NSYSM1812402DP	NSYSM1812402D	-	NSYSPF12100	NSYSPS4100
1800 (70.9)	1200 (47.2)	500 (19.7)	2	NSYSM1812502DP	NSYSM1812502D	-	NSYSPF12100	NSYSPS5100
1800 (70.9)	1600 (63.0)	400 (15.7)	2	NSYSM1816402DP	NSYSM1816402D	-	NSYSPF16100	NSYSPS4100
1800 (70.9)	1600 (63.0)	500 (19.7)	2	NSYSM1816502DP	NSYSM1816502D	-	NSYSPF16100	NSYSPS5100
2000 (78.7)	600 (23.6)	300 (11.8)	1	NSYSM20630P	NSYSM20630	-	NSYSPF6100	NSYSPS3100
2000 (78.7)	600 (23.6)	400 (15.7)	1	NSYSM20640P	NSYSM20640	NSYSM20640T	NSYSPF6100	NSYSPS4100
2000 (78.7)	600 (23.6)	500 (19.7)	1	NSYSM20650P	NSYSM20650	-	NSYSPF6100	NSYSPS5100
2000 (78.7)	800 (31.5)	300 (11.8)	1	NSYSM20830P	NSYSM20830	NSYSM20830T	NSYSPF8100	NSYSPS3100
2000 (78.7)	800 (31.5)	400 (15.7)	1	NSYSM20840P	NSYSM20840	NSYSM20840T	NSYSPF8100	NSYSPS4100
2000 (78.7)	800 (31.5)	500 (19.7)	1	NSYSM20850P	NSYSM20850	NSYSM20850T	NSYSPF8100	NSYSPS5100
2000 (78.7)	800 (31.5)	600 (23.6)	1	NSYSM20860P	NSYSM20860	NSYSM20860T	NSYSPF8100	NSYSPS6100
2000 (78.7)	1000 (39.4)	400 (15.7)	2	NSYSM2010402DP	NSYSM2010402D	-	NSYSPF10100	NSYSPS4100
2000 (78.7)	1000 (39.4)	500 (19.7)	2	NSYSM2010502DP	NSYSM2010502D	-	NSYSPF10100	NSYSPS5100
2000 (78.7)	1200 (47.2)	400 (15.7)	2	NSYSM2012402DP	NSYSM2012402D	-	NSYSPF12100	NSYSPS4100
2000 (78.7)	1200 (47.2)	500 (19.7)	2	NSYSM2012502DP	NSYSM2012502D	-	NSYSPF12100	NSYSPS5100
2000 (78.7)	1200 (47.2)	600 (23.6)	2	NSYSM2012602DP	NSYSM2012602D	-	NSYSPF12100	NSYSPS6100
2000 (78.7)	1600 (63.0)	400 (15.7)	2	NSYSM2016402DP	NSYSM2016402D	-	NSYSPF16100	NSYSPS4100
2000 (78.7)	1600 (63.0)	500 (19.7)	2	NSYSM2016502DP	NSYSM2016502D	-	NSYSPF16100	NSYSPS5100
2000 (78.7)	1600 (63.0)	600 (23.6)	2	NSYSM2016602DP	NSYSM2016602D	-	NSYSPF16100	NSYSPS6100

(1) U = 44.45 mm (1.8 in.).

Lifting eyebolts  
Page 4/56



180° hinge  
Page 4/66



Locks and lock inserts  
Page 4/68



Document pocket  
Page 8/94



Door cross rail  
Page 8/29



# Compact metal enclosures

## Selection guide



Plinth Height 200 mm (7.9 in.)		Inner door	Mounting plate	Standard vertical uprights	Technical vertical uprights	Off-center 482.6 mm (19 in.) swing rack	Centered 482.6 mm (19 in.) swing rack
Front kit (corners + front panels)	Side panels, 4 U (1)						
NSYSPPF8200	NSYSPPS3200	-	NSYMP128	-	NSYTVR12	-	-
NSYSPPF10200	NSYSPPS3200	-	NSYMP1210	-	NSYTVR12	-	-
NSYSPPF12200	NSYSPPS4200	-	NSYMP1212	-	NSYTVR12	-	-
NSYSPPF6200	NSYSPPS3200	-	NSYMP146	-	NSYTVR14	-	-
NSYSPPF6200	NSYSPPS4200	-	NSYMP146	-	NSYTVR14	-	-
NSYSPPF8200	NSYSPPS3200	-	NSYMP148	-	NSYTVR14	NSYRSW27	NSYRSWC27
NSYSPPF8200	NSYSPPS4200	-	NSYMP148	-	NSYTVR14	NSYRSW27	NSYRSWC27
NSYSPPF10200	NSYSPPS4200	-	NSYMP1410	-	NSYTVR14	-	-
NSYSPPF12200	NSYSPPS4200	-	NSYMP1412	-	NSYTVR14	-	-
NSYSPPF6200	NSYSPPS3200	NSYID166	NSYMP166	-	NSYTVR16	-	-
NSYSPPF6200	NSYSPPS4200	NSYID166	NSYMP166	-	NSYTVR16	-	-
NSYSPPF8200	NSYSPPS3200	NSYID168	NSYMP168	-	NSYTVR16	NSYRSW31	NSYRSWC31
NSYSPPF8200	NSYSPPS4200	NSYID168	NSYMP168	-	NSYTVR16	NSYRSW31	NSYRSWC31
NSYSPPF10200	NSYSPPS3200	-	NSYMP1610	-	NSYTVR16	-	-
NSYSPPF10200	NSYSPPS4200	-	NSYMP1610	-	NSYTVR16	-	-
NSYSPPF12200	NSYSPPS3200	-	NSYMP1612	-	NSYTVR16	-	-
NSYSPPF12200	NSYSPPS4200	-	NSYMP1612	-	NSYTVR16	-	-
NSYSPPF6200	NSYSPPS3200	NSYID186	NSYMP186	NSYVR18	NSYTVR18	-	-
NSYSPPF6200	NSYSPPS4200	NSYID186	NSYMP186	NSYVR18	NSYTVR18	-	-
NSYSPPF6200	NSYSPPS5200	NSYID186	NSYMP186	NSYVR18	NSYTVR18	-	-
NSYSPPF8200	NSYSPPS3200	NSYID188	NSYMP188	NSYVR18	NSYTVR18	NSYRSW36	NSYRSWC36
NSYSPPF8200	NSYSPPS4200	NSYID188	NSYMP188	NSYVR18	NSYTVR18	NSYRSW36	NSYRSWC36
NSYSPPF8200	NSYSPPS5200	NSYID188	NSYMP188	NSYVR18	NSYTVR18	NSYRSW36	NSYRSWC36
NSYSPPF8200	NSYSPPS6200	NSYID188	NSYMP188	NSYVR18	NSYTVR18	NSYRSW36	NSYRSWC36
NSYSPPF10200	NSYSPPS4200	NSYID1810	NSYMP1810	NSYVR18	NSYTVR18	-	-
NSYSPPF10200	NSYSPPS4200	NSYID1810	NSYMP1810	NSYVR18	NSYTVR18	-	-
NSYSPPF10200	NSYSPPS5200	NSYID1810	NSYMP1810	NSYVR18	NSYTVR18	-	-
NSYSPPF12200	NSYSPPS4200	-	NSYMP1812	NSYVR18	NSYTVR18	-	-
NSYSPPF12200	NSYSPPS5200	-	NSYMP1812	NSYVR18	NSYTVR18	-	-
NSYSPPF16200	NSYSPPS4200	-	NSYMP1816	NSYVR18	NSYTVR18	-	-
NSYSPPF16200	NSYSPPS5200	-	NSYMP1816	NSYVR18	NSYTVR18	-	-
NSYSPPF6200	NSYSPPS3200	NSYID206	NSYMP206	NSYVR20	NSYTVR20	-	-
NSYSPPF6200	NSYSPPS4200	NSYID206	NSYMP206	NSYVR20	NSYTVR20	-	-
NSYSPPF6200	NSYSPPS5200	NSYID206	NSYMP206	NSYVR20	NSYTVR20	-	-
NSYSPPF8200	NSYSPPS3200	NSYID208	NSYMP208	NSYVR20	NSYTVR20	NSYRSW40	NSYRSWC40
NSYSPPF8200	NSYSPPS4200	NSYID208	NSYMP208	NSYVR20	NSYTVR20	NSYRSW40	NSYRSWC40
NSYSPPF8200	NSYSPPS5200	NSYID208	NSYMP208	NSYVR20	NSYTVR20	NSYRSW40	NSYRSWC40
NSYSPPF8200	NSYSPPS6200	NSYID208	NSYMP208	NSYVR20	NSYTVR20	NSYRSW40	NSYRSWC40
NSYSPPF10200	NSYSPPS4200	NSYID2010	NSYMP2010	NSYVR20	NSYTVR20	-	-
NSYSPPF10200	NSYSPPS5200	NSYID2010	NSYMP2010	NSYVR20	NSYTVR20	-	-
NSYSPPF12200	NSYSPPS4200	-	NSYMP2012	NSYVR20	NSYTVR20	-	-
NSYSPPF12200	NSYSPPS5200	-	NSYMP2012	NSYVR20	NSYTVR20	-	-
NSYSPPF12200	NSYSPPS6200	-	NSYMP2012	NSYVR20	NSYTVR20	-	-
NSYSPPF16200	NSYSPPS4200	-	NSYMP2016	NSYVR20	NSYTVR20	-	-
NSYSPPF16200	NSYSPPS5200	-	NSYMP2016	NSYVR20	NSYTVR20	-	-
NSYSPPF16200	NSYSPPS6200	-	NSYMP2016	NSYVR20	NSYTVR20	-	-

(1) U = 44.45 mm (1.8 in.).



**Cross rails**  
Page 8/30

**Lighting**  
Page 8/90

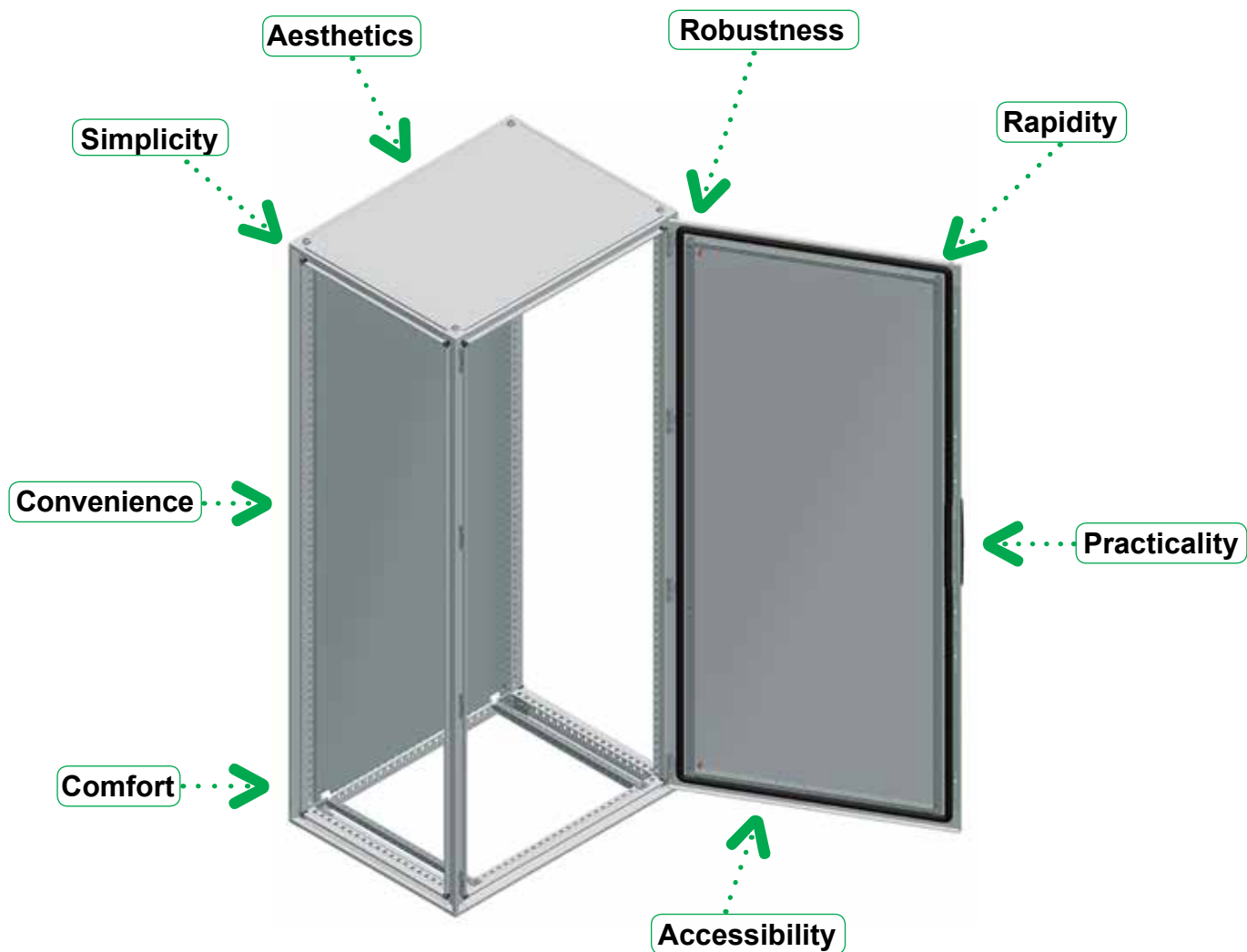
**Door switch**  
Page 8/97

**Cable management**  
Page 8/80

# Modular metal enclosures

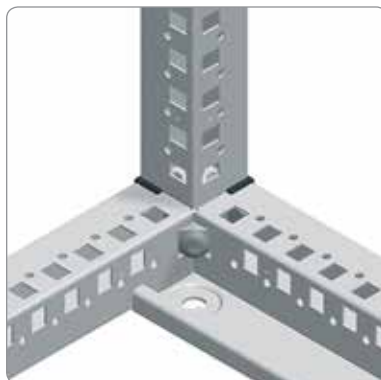
## Overview

4



### Robustness:

The enclosure is constructed from a single 1.5-mm (0.06) galvanized-steel section. Vertical uprights are joined to the top and bottom frames with sintered steel screws. Panels are built into the structure.



### Practicality:

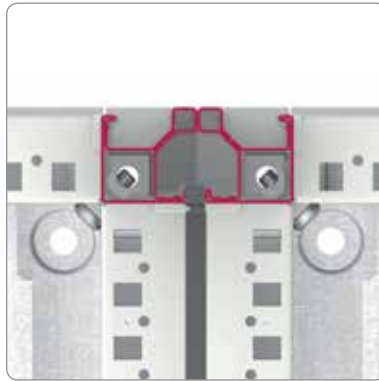
Two door cross rails, which are height-adjustable and can be used for mounting cables.



### Construction:

The profile is designed to create a double protective barrier against water and dust when coupling two enclosures.

The first barrier is the metal connection of the sections, and the second barrier is the EPDM gasket that helps ensure the seal.



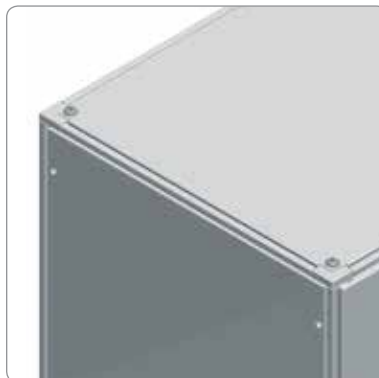
### Comfort:

The handle has a robust design for easily activating the locking system, allowing the installation of any shape insert and any cylindrical combination key. The panels have captive screws for easier assembly and dismantling.



### Aesthetics:

The built-in panels, enclosure modules and new handle design give the enclosure a new appearance.

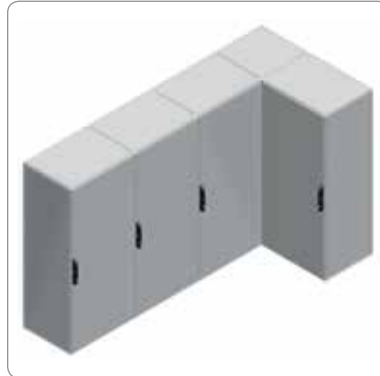


# Modular metal enclosures

## Overview

### Simplicity:

The new design allows enclosures to be joined in any direction, adapting to all installation surfaces.



### Accessibility:

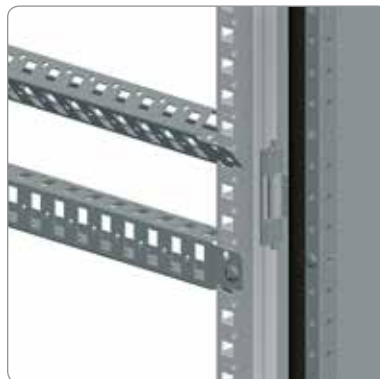
The symmetric design of the profile allows doors to be installed on any side of the enclosure, opening to right or left, providing full accessibility to the enclosure.



### Rapidity:

The double system of cut-outs on the structure allows most accessories to be installed using self-tapping TORX T30 M6 screws or nuts.

The clip-on quick-mounting cross rails are mounted with self-tapping screws.



# Modular metal enclosures

## Overview

### Modular metal enclosures, assembled or as kits

The enclosures are compliant with international standard IEC 62208 for empty enclosures for low-voltage switchgear and controlgear assemblies.

IP55 protection, IK10 for plain door and IK08 for transparent door.

The enclosure is made from profiled and laser-welded galvanized steel, with vertical and horizontal cut-outs with a pitch of 25 mm (1.0 in.).

The doors are made from folded and welded steel, with 120° opening, and hinges with captive pins made from zamak. The handle locks with a 5-mm double-bar insert. To maintain the continuity of the protection circuit according to standard IEC 62208, it is necessary to install a protection conductor.

### Modular metal enclosures

Assembled enclosure with a plain or transparent front door and a rear panel, painted with epoxy-polyester resin, textured RAL 7035 gray, with or without a galvanized-steel mounting plate.

### Modular metal enclosure kits

All the components that make up the modular metal enclosure are available separately as kits, offering multiple possibilities.



Assembled supply



Supply in kit form

	Page	Page
Characteristics	4/16	4/20
Selection guide	4/18	4/22
Dimensions	4/24	4/24

# Modular metal enclosures

## Overview

### Compartmentalized enclosures and PC racks

The roof and panels are attached from the inside (only for PC racks).  
 Partial front doors are mounted with zamack hinges with a 3 mm (0.1 in.) double bar lock.  
 Degree of protection is IP40 with an open keyboard tray.

### Compartmentalized modular metal enclosures

Compartmentalized enclosure separates the various work zones, limiting access to them. Painted with epoxy-polyester resin, textured RAL 7035 gray.

### PC racks

The PC rack is designed to protect computer equipment in an industrial environment. Painted with epoxy-polyester resin, textured RAL 7035 gray.



Compartmentalized enclosure



PC rack

	Page	Page
Characteristics	4/74	4/87

# Modular metal enclosures

## Overview



### EMC

Modular enclosures built from closed galvanized-steel sections, door and panels made from Aluzinc 150 sheet metal. The presence of 55% aluminum on the surface helps ensure good reflection of electromagnetic waves. Available on request.



# Modular metal enclosures

## Characteristics



### Front door and rear panel, with or without IP55 galvanized mounting plate

#### Basic composition

- Structure: Top and bottom frame, vertical uprights.
- Two front door styles:
  - Plain door with reinforcement frame.
  - Transparent Securit glass door.
- The double doors overlap, with an inner lock on the left door.
- Rear panel screwed on with captive screws.
- Removable roof.
- Standard locking system with handle and 5-mm (0.2 in.) double-bar insert.
- 4 support brackets for the mounting plate.
- Sliding rail for the mounting plate.
- Supplied with or without a galvanized mounting plate depending on the model.
- Additional options:
  - Cross rails.
  - Individual and set plinths with heights of 100 and 200 mm (3.9 and 7.9 in.).
  - Cable-gland plates.

#### Certifications

- BV, DNV, UL and CUL\*.
- \*1 Door: 1, 12, 12K
- \*2 Doors: 1, 12, 12K






#### Easy installation


- The **Spacial SF** modular metal enclosure consists of 4 uprights and 2 frames, top and bottom. Thanks to a single, laser-welded, galvanized-steel structure, the enclosure has great robustness. The structure has cut-outs with a pitch of 25 mm (1.0 in.) for mounting hardware, using the same type of screw throughout the entire structure.
- The enclosure structure allows integration of panels, and has the same nominal length (or size) with or without the panels.
- Allows several enclosures to be joined in any desired shape with the possibility of installing doors on any side of the enclosure. The coupling surface between enclosures offers a double protective barrier against water and dust.
- The panels are made up of:
  - A sheet-steel door, painted with epoxy-polyester resin, textured RAL 7035 gray.
  - Sheet-steel rear and side panels, painted with epoxy-polyester resin, textured RAL 7035 gray, double folded to increase rigidity and joined with captive screws that simplify assembly and dismantling.
  - Individual plinths or sets of plinths, painted with epoxy-polyester resin, RAL 7022 gray, to simplify cable management.
- A broad range of accessories offered for the production of:
  - Plates for automation equipment.
  - 482.6 mm (19 in.) racks.
- Degree of protection: IP55 according to IEC 60529.
- Resistance to mechanical impacts: IK10 according to IEC 62262 (IK08 for the transparent doors).







#### Locking system

- New design, modern appearance, ergonomic, robust, complying with numerous specifications:
  - Combination keys.
  - Shape inserts.
  - Push button.
- Optional:
  - Handle lock for versions DIN, KABA, ASSA.
  - Handle lock for 2 inserts, "AND" or "OR" combination.
  - Padlock locking.
  - CNOMO kit.

### Main accessories

Side panels	Plinth	Enclosure modules	Lifting systems	Cable-entry plates
				
Page 4/25	Page 4/34	Page 4/29	Page 4/54	Pages 4/48 and 4/59

Inner door	Door accessories	Locks and lock inserts
		
Page 4/64	Pages 4/66 and 8/96	Page 4/68

Mounting plate	Standard uprights	Technical uprights	Rails	Cross rails	Rail connectors
					
Page 8/10	Page 8/23	Page 8/24	Page 8/48	Page 8/30	Page 8/57

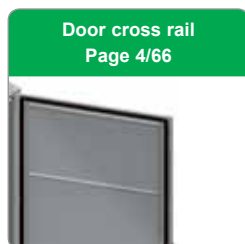
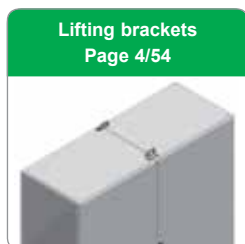
# Modular metal enclosures

## Assembled supply



Nominal dimensions: mm (in.)			No. of doors	Plain door		Transparent door	Side panels	Cable-entry plate		
Height (A)	Width (B)	Depth (C)		With mounting plate	Without mounting plate	Without mounting plate		Plain	1 entry	2 entries
1200 (47.2)	600 (23.6)	400 (15.7)	1	NSYSF12640P	NSYSF12640	-	NSY2SP124	NSYEC64	NSYEC641	-
1200 (47.2)	600 (23.6)	600 (23.6)	1	NSYSF12660P	NSYSF12660	-	NSY2SP126	NSYEC66	NSYEC661	NSYEC662
1200 (47.2)	800 (31.5)	400 (15.7)	1	NSYSF12840P	NSYSF12840	-	NSY2SP124	NSYEC84	NSYEC841	-
1200 (47.2)	800 (31.5)	600 (23.6)	1	NSYSF12860P	NSYSF12860	-	NSY2SP126	NSYEC86	NSYEC861	NSYEC862
1400 (55.1)	600 (23.6)	400 (15.7)	1	NSYSF14640P	NSYSF14640	-	NSY2SP144	NSYEC64	NSYEC641	-
1400 (55.1)	800 (31.5)	400 (15.7)	1	NSYSF14840P	NSYSF14840	-	NSY2SP144	NSYEC84	NSYEC841	-
1600 (63.0)	600 (23.6)	600 (23.6)	1	NSYSF16660P	NSYSF16660	-	NSY2SP166	NSYEC66	NSYEC661	NSYEC662
1600 (63.0)	600 (23.6)	800 (31.5)	1	NSYSF16680P	NSYSF16680	-	NSY2SP168	NSYEC68	NSYEC681	NSYEC682
1600 (63.0)	800 (31.5)	600 (23.6)	1	NSYSF16860P	NSYSF16860	-	NSY2SP166	NSYEC86	NSYEC861	NSYEC862
1600 (63.0)	800 (31.5)	800 (31.5)	1	NSYSF16880P	NSYSF16880	-	NSY2SP168	NSYEC88	NSYEC881	NSYEC882
1800 (70.9)	400 (15.7)	400 (15.7)	1	-	NSYSF18440	-	NSY2SP184	NSYEC44	NSYEC441	-
1800 (70.9)	400 (15.7)	500 (19.7)	1	-	NSYSF18450	-	NSY2SP185	NSYEC45	NSYEC451	-
1800 (70.9)	400 (15.7)	600 (23.6)	1	-	NSYSF18460	-	NSY2SP186	NSYEC46	NSYEC461	-
1800 (70.9)	600 (23.6)	400 (15.7)	1	NSYSF18640P	NSYSF18640	NSYSF18640T	NSY2SP184	NSYEC64	NSYEC641	-
1800 (70.9)	600 (23.6)	500 (19.7)	1	NSYSF18650P	NSYSF18650	NSYSF18650T	NSY2SP185	NSYEC65	NSYEC651	-
1800 (70.9)	600 (23.6)	600 (23.6)	1	NSYSF18660P	NSYSF18660	-	NSY2SP186	NSYEC66	NSYEC661	NSYEC662
1800 (70.9)	600 (23.6)	800 (31.5)	1	-	-	NSYSF18680T	NSY2SP188	NSYEC68	NSYEC681	NSYEC682
1800 (70.9)	800 (31.5)	400 (15.7)	1	NSYSF18840P	NSYSF18840	NSYSF18840T	NSY2SP184	NSYEC84	NSYEC841	-
1800 (70.9)	800 (31.5)	500 (19.7)	1	NSYSF18850P	NSYSF18850	NSYSF18850T	NSY2SP185	NSYEC85	NSYEC851	-
1800 (70.9)	800 (31.5)	600 (23.6)	1	NSYSF18860P	NSYSF18860	NSYSF18860T	NSY2SP186	NSYEC86	NSYEC861	NSYEC862
1800 (70.9)	800 (31.5)	600 (23.6)	2	NSYSF188602DP	NSYSF188602D	-	NSY2SP186	NSYEC86	NSYEC861	NSYEC862
1800 (70.9)	1000 (39.4)	400 (15.7)	1	NSYSF181040P	NSYSF181040	-	NSY2SP184	NSYEC104	NSYEC1041	-
1800 (70.9)	1000 (39.4)	400 (15.7)	2	NSYSF1810402DP	NSYSF1810402D	-	NSY2SP184	NSYEC104	NSYEC1041	-
1800 (70.9)	1000 (39.4)	500 (19.7)	1	NSYSF181050P	NSYSF181050	-	NSY2SP185	NSYEC105	NSYEC1051	-
1800 (70.9)	1000 (39.4)	600 (23.6)	1	NSYSF181060P	NSYSF181060	-	NSY2SP186	NSYEC106	NSYEC1061	NSYEC1062
1800 (70.9)	1000 (39.4)	600 (23.6)	2	NSYSF1810602DP	NSYSF1810602D	-	NSY2SP186	NSYEC106	NSYEC1061	NSYEC1062
1800 (70.9)	1200 (47.2)	400 (15.7)	2	NSYSF1812402DP	NSYSF1812402D	-	NSY2SP184	NSYEC124	NSYEC1241	-
1800 (70.9)	1200 (47.2)	500 (19.7)	2	NSYSF1812502DP	NSYSF1812502D	-	NSY2SP185	NSYEC125	NSYEC1251	-
1800 (70.9)	1200 (47.2)	600 (23.6)	2	NSYSF1812602DP	NSYSF1812602D	-	NSY2SP186	NSYEC126	NSYEC1261	NSYEC1262
2000 (78.7)	300 (11.8)	500 (19.7)	1	-	NSYSF20350	-	NSY2SP205	NSYEC35	NSYEC351	-
2000 (78.7)	300 (11.8)	600 (23.6)	1	-	NSYSF20360	-	NSY2SP206	NSYEC36	NSYEC361	-
2000 (78.7)	300 (11.8)	800 (31.5)	1	-	NSYSF20380	-	NSY2SP208	-	NSYEC381	-
2000 (78.7)	400 (15.7)	400 (15.7)	1	-	NSYSF20440	-	NSY2SP204	NSYEC44	NSYEC441	-
2000 (78.7)	400 (15.7)	500 (19.7)	1	-	NSYSF20450	-	NSY2SP205	NSYEC45	NSYEC451	-
2000 (78.7)	400 (15.7)	600 (23.6)	1	-	NSYSF20460	-	NSY2SP206	NSYEC46	NSYEC461	-
2000 (78.7)	400 (15.7)	800 (31.5)	1	-	NSYSF20480	-	NSY2SP208	NSYEC48	NSYEC481	-
2000 (78.7)	600 (23.6)	400 (15.7)	1	NSYSF20640P	NSYSF20640	NSYSF20640T	NSY2SP204	NSYEC64	NSYEC641	-
2000 (78.7)	600 (23.6)	500 (19.7)	1	NSYSF20650P	NSYSF20650	NSYSF20650T	NSY2SP205	NSYEC65	NSYEC651	-
2000 (78.7)	600 (23.6)	600 (23.6)	1	NSYSF20660P	NSYSF20660	-	NSY2SP206	NSYEC66	NSYEC661	NSYEC662
2000 (78.7)	600 (23.6)	800 (31.5)	1	NSYSF20680P	NSYSF20680	-	NSY2SP208	NSYEC68	NSYEC681	NSYEC682
2000 (78.7)	800 (31.5)	400 (15.7)	1	NSYSF20840P	NSYSF20840	NSYSF20840T	NSY2SP204	NSYEC84	NSYEC841	-
2000 (78.7)	800 (31.5)	500 (19.7)	1	NSYSF20850P	NSYSF20850	NSYSF20850T	NSY2SP205	NSYEC85	NSYEC851	-
2000 (78.7)	800 (31.5)	600 (23.6)	1	NSYSF20860P	NSYSF20860	NSYSF20860T	NSY2SP206	NSYEC86	NSYEC861	NSYEC862
2000 (78.7)	800 (31.5)	600 (23.6)	2	NSYSF208602DP	NSYSF208602D	-	NSY2SP206	NSYEC86	NSYEC861	NSYEC862
2000 (78.7)	800 (31.5)	800 (31.5)	1	NSYSF20880P	NSYSF20880	NSYSF20880T	NSY2SP208	NSYEC88	NSYEC881	NSYEC882
2000 (78.7)	1000 (39.4)	400 (15.7)	1	NSYSF201040P	NSYSF201040	NSYSF201040T	NSY2SP204	NSYEC104	NSYEC1041	-
2000 (78.7)	1000 (39.4)	400 (15.7)	2	NSYSF2010402DP	NSYSF2010402D	-	NSY2SP204	NSYEC104	NSYEC1041	-
2000 (78.7)	1000 (39.4)	500 (19.7)	1	NSYSF201050P	NSYSF201050	NSYSF201050T	NSY2SP205	NSYEC105	NSYEC1051	-
2000 (78.7)	1000 (39.4)	500 (19.7)	2	NSYSF2010502DP	NSYSF2010502D	-	NSY2SP205	NSYEC105	NSYEC1051	-
2000 (78.7)	1000 (39.4)	600 (23.6)	1	NSYSF201060P	NSYSF201060	NSYSF201060T	NSY2SP206	NSYEC106	NSYEC1061	NSYEC1062
2000 (78.7)	1000 (39.4)	600 (23.6)	2	NSYSF2010602DP	NSYSF2010602D	-	NSY2SP206	NSYEC106	NSYEC1061	NSYEC1062
2000 (78.7)	1000 (39.4)	800 (31.5)	1	NSYSF201080P	NSYSF201080	-	NSY2SP208	NSYEC108	NSYEC1081	NSYEC1082
2000 (78.7)	1200 (47.2)	400 (15.7)	2	NSYSF2012402DP	NSYSF2012402D	-	NSY2SP204	NSYEC124	NSYEC1241	-
2000 (78.7)	1200 (47.2)	500 (19.7)	2	NSYSF2012502DP	NSYSF2012502D	-	NSY2SP205	NSYEC125	NSYEC1251	-
2000 (78.7)	1200 (47.2)	600 (23.6)	2	NSYSF2012602DP	NSYSF2012602D	-	NSY2SP206	NSYEC126	NSYEC1261	NSYEC1262
2000 (78.7)	1200 (47.2)	800 (31.5)	2	NSYSF2012802DP	NSYSF2012802D	-	NSY2SP208	NSYEC128	NSYEC1281	NSYEC1282
2000 (78.7)	1600 (63.0)	400 (15.7)	2	NSYSF2016402DP	NSYSF2016402D	-	NSY2SP204	NSYEC164	NSYEC1641	-
2000 (78.7)	1600 (63.0)	500 (19.7)	2	NSYSF2016502DP	NSYSF2016502D	-	NSY2SP205	NSYEC165	NSYEC1651	-
2000 (78.7)	1600 (63.0)	600 (23.6)	2	NSYSF2016602DP	NSYSF2016602D	-	NSY2SP206	NSYEC166	NSYEC1661	NSYEC1662
2200 (86.6)	400 (15.7)	600 (23.6)	1	-	NSYSF22460	-	NSY2SP226	NSYEC46	NSYEC461	-
2200 (86.6)	600 (23.6)	600 (23.6)	1	NSYSF22660P	NSYSF22660	-	NSY2SP226	NSYEC66	NSYEC661	NSYEC662
2200 (86.6)	600 (23.6)	800 (31.5)	1	NSYSF22680P	NSYSF22680	-	NSY2SP228	NSYEC68	NSYEC681	NSYEC682
2200 (86.6)	800 (31.5)	600 (23.6)	1	NSYSF22860P	NSYSF22860	-	NSY2SP226	NSYEC86	NSYEC861	NSYEC862
2200 (86.6)	800 (31.5)	800 (31.5)	1	NSYSF22880P	NSYSF22880	NSYSF22880T	NSY2SP228	NSYEC88	NSYEC881	NSYEC882
2200 (86.6)	1000 (39.4)	600 (23.6)	1	NSYSF221060P	NSYSF221060	-	NSY2SP226	NSYEC106	NSYEC1061	NSYEC1062
2200 (86.6)	1200 (47.2)	600 (23.6)	2	NSYSF2212602DP	NSYSF2212602D	-	NSY2SP226	NSYEC126	NSYEC1261	NSYEC1262
2200 (86.6)	1200 (47.2)	800 (31.5)	2	NSYSF2212802DP	NSYSF2212802D	-	NSY2SP228	NSYEC128	NSYEC1281	NSYEC1282

4



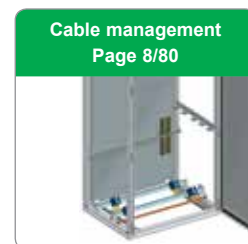
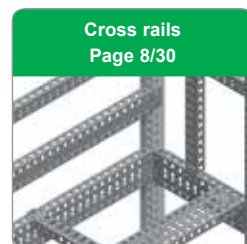
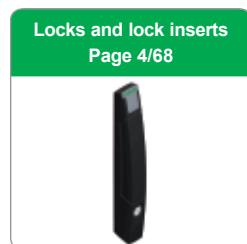
# Modular metal enclosures

## Assembled supply



Nominal dimensions: mm (in.)			Plinth				Mounting plate	Intermediate mounting plate	Standard vertical uprights	Technical vertical uprights
			Height 100 mm (3.9 in.)		Height 200 mm (7.9 in.)					
Height (A)	Width (B)	Depth (C)	Front kit (corners + front panels)	Side panels, 2 U (1)	Front kit (corners + front panels)	Side panels, 4 U (1)				
1200 (47.2)	600 (23.6)	400 (15.7)	NSYSPPF6100	NSYSPPS4100	NSYSPPF6200	NSYSPPS4200	NSYMP126	NSYSIMP12	-	NSYTVR12
1200 (47.2)	600 (23.6)	600 (23.6)	NSYSPPF6100	NSYSPPS6100	NSYSPPF6200	NSYSPPS6200	NSYMP126	NSYSIMP12	-	NSYTVR12
1200 (47.2)	800 (31.5)	400 (15.7)	NSYSPPF8100	NSYSPPS4100	NSYSPPF8200	NSYSPPS4200	NSYMP128	NSYSIMP12	-	NSYTVR12
1200 (47.2)	800 (31.5)	600 (23.6)	NSYSPPF8100	NSYSPPS6100	NSYSPPF8200	NSYSPPS6200	NSYMP128	NSYSIMP12	-	NSYTVR12
1400 (55.1)	600 (23.6)	400 (15.7)	NSYSPPF6100	NSYSPPS4100	NSYSPPF6200	NSYSPPS4200	NSYMP146	NSYSIMP14	-	NSYTVR14
1400 (55.1)	800 (31.5)	400 (15.7)	NSYSPPF8100	NSYSPPS4100	NSYSPPF8200	NSYSPPS4200	NSYMP148	NSYSIMP14	-	NSYTVR14
1600 (63.0)	600 (23.6)	600 (23.6)	NSYSPPF6100	NSYSPPS6100	NSYSPPF6200	NSYSPPS6200	NSYMP166	NSYSIMP16	-	NSYTVR16
1600 (63.0)	600 (23.6)	800 (31.5)	NSYSPPF6100	NSYSPPS8100	NSYSPPF6200	NSYSPPS8200	NSYMP166	NSYSIMP16	-	NSYTVR16
1600 (63.0)	800 (31.5)	600 (23.6)	NSYSPPF8100	NSYSPPS6100	NSYSPPF8200	NSYSPPS6200	NSYMP168	NSYSIMP16	-	NSYTVR16
1600 (63.0)	800 (31.5)	800 (31.5)	NSYSPPF8100	NSYSPPS8100	NSYSPPF8200	NSYSPPS8200	NSYMP168	NSYSIMP16	-	NSYTVR16
1800 (70.9)	400 (15.7)	400 (15.7)	NSYSPPF4100	NSYSPPS4100	NSYSPPF4200	NSYSPPS4200	-	-	NSYVR18	NSYTVR18
1800 (70.9)	400 (15.7)	500 (19.7)	NSYSPPF4100	NSYSPPS5100	NSYSPPF4200	NSYSPPS5200	-	-	NSYVR18	NSYTVR18
1800 (70.9)	400 (15.7)	600 (23.6)	NSYSPPF4100	NSYSPPS6100	NSYSPPF4200	NSYSPPS6200	-	-	NSYVR18	NSYTVR18
1800 (70.9)	600 (23.6)	400 (15.7)	NSYSPPF6100	NSYSPPS4100	NSYSPPF6200	NSYSPPS4200	NSYMP186	NSYSIMP18	NSYVR18	NSYTVR18
1800 (70.9)	600 (23.6)	500 (19.7)	NSYSPPF6100	NSYSPPS5100	NSYSPPF6200	NSYSPPS5200	NSYMP186	NSYSIMP18	NSYVR18	NSYTVR18
1800 (70.9)	600 (23.6)	600 (23.6)	NSYSPPF6100	NSYSPPS6100	NSYSPPF6200	NSYSPPS6200	NSYMP186	NSYSIMP18	NSYVR18	NSYTVR18
1800 (70.9)	800 (31.5)	400 (15.7)	NSYSPPF8100	NSYSPPS4100	NSYSPPF8200	NSYSPPS4200	NSYMP188	NSYSIMP18	NSYVR18	NSYTVR18
1800 (70.9)	800 (31.5)	500 (19.7)	NSYSPPF8100	NSYSPPS5100	NSYSPPF8200	NSYSPPS5200	NSYMP188	NSYSIMP18	NSYVR18	NSYTVR18
1800 (70.9)	800 (31.5)	600 (23.6)	NSYSPPF8100	NSYSPPS6100	NSYSPPF8200	NSYSPPS6200	NSYMP188	NSYSIMP18	NSYVR18	NSYTVR18
1800 (70.9)	1000 (39.4)	400 (15.7)	NSYSPPF10100	NSYSPPS4100	NSYSPPF10200	NSYSPPS4200	NSYMP1810	NSYSIMP18	NSYVR18	NSYTVR18
1800 (70.9)	1000 (39.4)	400 (15.7)	NSYSPPF10100	NSYSPPS4100	NSYSPPF10200	NSYSPPS4200	NSYMP1810	NSYSIMP18	NSYVR18	NSYTVR18
1800 (70.9)	1000 (39.4)	500 (19.7)	NSYSPPF10100	NSYSPPS5100	NSYSPPF10200	NSYSPPS5200	NSYMP1810	NSYSIMP18	NSYVR18	NSYTVR18
1800 (70.9)	1000 (39.4)	600 (23.6)	NSYSPPF10100	NSYSPPS6100	NSYSPPF10200	NSYSPPS6200	NSYMP1810	NSYSIMP18	NSYVR18	NSYTVR18
1800 (70.9)	1200 (47.2)	400 (15.7)	NSYSPPF12100	NSYSPPS4100	NSYSPPF12200	NSYSPPS4200	NSYMP1812	NSYSIMP18	NSYVR18	NSYTVR18
1800 (70.9)	1200 (47.2)	500 (19.7)	NSYSPPF12100	NSYSPPS5100	NSYSPPF12200	NSYSPPS5200	NSYMP1812	NSYSIMP18	NSYVR18	NSYTVR18
1800 (70.9)	1200 (47.2)	600 (23.6)	NSYSPPF12100	NSYSPPS6100	NSYSPPF12200	NSYSPPS6200	NSYMP1812	NSYSIMP18	NSYVR18	NSYTVR18
2000 (78.7)	300 (11.8)	500 (19.7)	NSYSPPF3100	NSYSPPS5100	NSYSPPF3200	NSYSPPS5200	-	-	NSYVR20	NSYTVR20
2000 (78.7)	300 (11.8)	600 (23.6)	NSYSPPF3100	NSYSPPS6100	NSYSPPF3200	NSYSPPS6200	-	-	NSYVR20	NSYTVR20
2000 (78.7)	400 (15.7)	400 (15.7)	NSYSPPF4100	NSYSPPS4100	NSYSPPF4200	NSYSPPS4200	-	-	NSYVR20	NSYTVR20
2000 (78.7)	400 (15.7)	500 (19.7)	NSYSPPF4100	NSYSPPS5100	NSYSPPF4200	NSYSPPS5200	-	-	NSYVR20	NSYTVR20
2000 (78.7)	400 (15.7)	600 (23.6)	NSYSPPF4100	NSYSPPS6100	NSYSPPF4200	NSYSPPS6200	-	-	NSYVR20	NSYTVR20
2000 (78.7)	600 (23.6)	400 (15.7)	NSYSPPF6100	NSYSPPS4100	NSYSPPF6200	NSYSPPS4200	NSYMP206	NSYSIMP20	NSYVR20	NSYTVR20
2000 (78.7)	600 (23.6)	500 (19.7)	NSYSPPF6100	NSYSPPS5100	NSYSPPF6200	NSYSPPS5200	NSYMP206	NSYSIMP20	NSYVR20	NSYTVR20
2000 (78.7)	600 (23.6)	600 (23.6)	NSYSPPF6100	NSYSPPS6100	NSYSPPF6200	NSYSPPS6200	NSYMP206	NSYSIMP20	NSYVR20	NSYTVR20
2000 (78.7)	600 (23.6)	800 (31.5)	NSYSPPF6100	NSYSPPS8100	NSYSPPF6200	NSYSPPS8200	NSYMP206	NSYSIMP20	NSYVR20	NSYTVR20
2000 (78.7)	800 (31.5)	400 (15.7)	NSYSPPF8100	NSYSPPS4100	NSYSPPF8200	NSYSPPS4200	NSYMP208	NSYSIMP20	NSYVR20	NSYTVR20
2000 (78.7)	800 (31.5)	500 (19.7)	NSYSPPF8100	NSYSPPS5100	NSYSPPF8200	NSYSPPS5200	NSYMP208	NSYSIMP20	NSYVR20	NSYTVR20
2000 (78.7)	800 (31.5)	600 (23.6)	NSYSPPF8100	NSYSPPS6100	NSYSPPF8200	NSYSPPS6200	NSYMP208	NSYSIMP20	NSYVR20	NSYTVR20
2000 (78.7)	800 (31.5)	600 (23.6)	NSYSPPF8100	NSYSPPS6100	NSYSPPF8200	NSYSPPS6200	NSYMP208	NSYSIMP20	NSYVR20	NSYTVR20
2000 (78.7)	800 (31.5)	800 (31.5)	NSYSPPF8100	NSYSPPS8100	NSYSPPF8200	NSYSPPS8200	NSYMP208	NSYSIMP20	NSYVR20	NSYTVR20
2000 (78.7)	1000 (39.4)	400 (15.7)	NSYSPPF10100	NSYSPPS4100	NSYSPPF10200	NSYSPPS4200	NSYMP2010	NSYSIMP20	NSYVR20	NSYTVR20
2000 (78.7)	1000 (39.4)	400 (15.7)	NSYSPPF10100	NSYSPPS4100	NSYSPPF10200	NSYSPPS4200	NSYMP2010	NSYSIMP20	NSYVR20	NSYTVR20
2000 (78.7)	1000 (39.4)	500 (19.7)	NSYSPPF10100	NSYSPPS5100	NSYSPPF10200	NSYSPPS5200	NSYMP2010	NSYSIMP20	NSYVR20	NSYTVR20
2000 (78.7)	1000 (39.4)	500 (19.7)	NSYSPPF10100	NSYSPPS5100	NSYSPPF10200	NSYSPPS5200	NSYMP2010	NSYSIMP20	NSYVR20	NSYTVR20
2000 (78.7)	1000 (39.4)	600 (23.6)	NSYSPPF10100	NSYSPPS6100	NSYSPPF10200	NSYSPPS6200	NSYMP2010	NSYSIMP20	NSYVR20	NSYTVR20
2000 (78.7)	1000 (39.4)	600 (23.6)	NSYSPPF10100	NSYSPPS6100	NSYSPPF10200	NSYSPPS6200	NSYMP2010	NSYSIMP20	NSYVR20	NSYTVR20
2000 (78.7)	1000 (39.4)	800 (31.5)	NSYSPPF10100	NSYSPPS8100	NSYSPPF10200	NSYSPPS8200	NSYMP2010	NSYSIMP20	NSYVR20	NSYTVR20
2000 (78.7)	1200 (47.2)	400 (15.7)	NSYSPPF12100	NSYSPPS4100	NSYSPPF12200	NSYSPPS4200	NSYMP2012	NSYSIMP20	NSYVR20	NSYTVR20
2000 (78.7)	1200 (47.2)	500 (19.7)	NSYSPPF12100	NSYSPPS5100	NSYSPPF12200	NSYSPPS5200	NSYMP2012	NSYSIMP20	NSYVR20	NSYTVR20
2000 (78.7)	1200 (47.2)	600 (23.6)	NSYSPPF12100	NSYSPPS6100	NSYSPPF12200	NSYSPPS6200	NSYMP2012	NSYSIMP20	NSYVR20	NSYTVR20
2000 (78.7)	1200 (47.2)	800 (31.5)	NSYSPPF12100	NSYSPPS8100	NSYSPPF12200	NSYSPPS8200	NSYMP2012	NSYSIMP20	NSYVR20	NSYTVR20
2000 (78.7)	1600 (63.0)	400 (15.7)	NSYSPPF16100	NSYSPPS4100	NSYSPPF16200	NSYSPPS4200	NSYMP2016	NSYSIMP20	NSYVR20	NSYTVR20
2000 (78.7)	1600 (63.0)	500 (19.7)	NSYSPPF16100	NSYSPPS5100	NSYSPPF16200	NSYSPPS5200	NSYMP2016	NSYSIMP20	NSYVR20	NSYTVR20
2000 (78.7)	1600 (63.0)	600 (23.6)	NSYSPPF16100	NSYSPPS6100	NSYSPPF16200	NSYSPPS6200	NSYMP2016	NSYSIMP20	NSYVR20	NSYTVR20
2200 (86.6)	400 (15.7)	600 (23.6)	NSYSPPF4100	NSYSPPS6100	NSYSPPF4200	NSYSPPS6200	-	-	NSYVR22	NSYTVR22
2200 (86.6)	600 (23.6)	600 (23.6)	NSYSPPF6100	NSYSPPS6100	NSYSPPF6200	NSYSPPS6200	NSYMP226	NSYSIMP22	NSYVR22	NSYTVR22
2200 (86.6)	600 (23.6)	800 (31.5)	NSYSPPF6100	NSYSPPS8100	NSYSPPF6200	NSYSPPS8200	NSYMP226	NSYSIMP22	NSYVR22	NSYTVR22
2200 (86.6)	800 (31.5)	600 (23.6)	NSYSPPF8100	NSYSPPS6100	NSYSPPF8200	NSYSPPS6200	NSYMP228	NSYSIMP22	NSYVR22	NSYTVR22
2200 (86.6)	800 (31.5)	800 (31.5)	NSYSPPF8100	NSYSPPS8100	NSYSPPF8200	NSYSPPS8200	NSYMP228	NSYSIMP22	NSYVR22	NSYTVR22
2200 (86.6)	1000 (39.4)	600 (23.6)	NSYSPPF10100	NSYSPPS6100	NSYSPPF10200	NSYSPPS6200	NSYMP2210	NSYSIMP22	NSYVR22	NSYTVR22
2200 (86.6)	1200 (47.2)	600 (23.6)	NSYSPPF12100	NSYSPPS6100	NSYSPPF12200	NSYSPPS6200	NSYMP2212	NSYSIMP22	NSYVR22	NSYTVR22
2200 (86.6)	1200 (47.2)	800 (31.5)	NSYSPPF12100	NSYSPPS8100	NSYSPPF12200	NSYSPPS8200	NSYMP2212	NSYSIMP22	NSYVR22	NSYTVR22

4



# Modular metal enclosures

Supplied as a kit

## Characteristics



### Basic composition

For the construction of a modular metal enclosure, the following must be ordered separately:

- Galvanized-steel structure, with a single laser-welded profile:
  - Bottom and top frame with roof.
  - Set of 4 vertical uprights.
- Sheet-steel panels, painted with epoxy-polyester resin, textured RAL 7035 gray:
  - Rear panel to be screwed on from the outside.
  - Plain door, single or double, with hinges, catches for the locking bars and reinforcement frame, made up of two vertical uprights and two height-adjustable door cross rails.
  - Transparent Securit glass door, with hinges and catches for the locking bars.
- Additional options:
  - Accessories such as:
    - Plinths with heights of 100 and 200 mm (3.9 and 7.9 in.).
    - Cable-entry plate, plain, with 1 entry and 2 entries.
    - Lifting accessories, door equipment, enclosure modules.
    - Lighting accessories.
    - Ventilation systems.
  - Mounting accessories.
  - Cable management accessories.
  - Lighting accessories.
- Ventilation, ventilation and air-conditioning systems.

### Certifications

- BV, DNV, UL\*, CUL.
- \*1 Door: 1, 12, 12K
- \*2 Doors: 1, 12, 12K

### Advantages of the kit offer

- Very short structure assembly time: only 15 minutes, with the attachment of 8 screws.
- Reduction of the required working surface.
- Reduction of the space required for transportation and storage.
- Possibility of working on the panels and assembling the enclosure directly before cabling.
- Possibility of having spare panels.
- Great freedom for creating your own enclosure, combining all the available elements.



Supply in kit form

Assembled supply

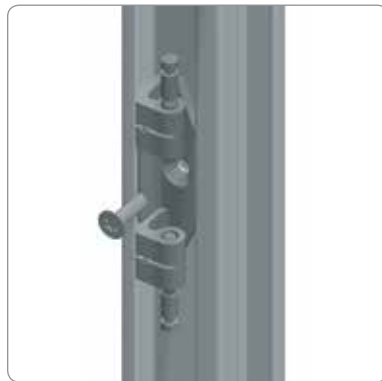
# Modular metal enclosures

Supplied as a kit

Place the 4 vertical uprights at the corners of the top and bottom frames. Attach the uprights with 8 screws, one at each corner of the enclosure.



Attach the hinges and the locking bar catches on the vertical uprights. To install the door, insert the captive hinge pins in their housing on the door.



4

Hang the rear panel with a self-centering piece to facilitate attachment.



Using the captive screws, attach the panel directly to the enclosure structure.



# Modular metal enclosures

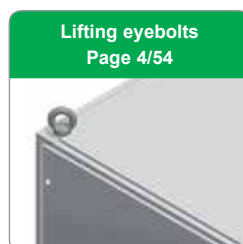
## Supplied as a kit



4

Nominal dimensions: mm (in.)			No. of doors	Vertical uprights	Bottom frame and top frame with roof	Rear panel	Side panels	Plain door (1)	Transparent door (Securit glass) (1)	Mounting plate
Height (A)	Width (B)	Depth (C)								
Painted with epoxy-polyester resin, textured RAL 7035										
1200 (47.2)	600 (23.6)	400 (15.7)	1	NSYSFV12	NSYSFC64	NSYBP126	NSY2SP124	NSYSFD126	NSYSFD126T	NSYMP126
1200 (47.2)	600 (23.6)	500 (19.7)	1	NSYSFV12	NSYSFC65	NSYBP126	NSY2SP125	NSYSFD126	NSYSFD126T	NSYMP126
1200 (47.2)	600 (23.6)	600 (23.6)	1	NSYSFV12	NSYSFC66	NSYBP126	NSY2SP126	NSYSFD126	NSYSFD126T	NSYMP126
1200 (47.2)	600 (23.6)	800 (31.5)	1	NSYSFV12	NSYSFC68	NSYBP126	NSY2SP128	NSYSFD126	NSYSFD126T	NSYMP126
1200 (47.2)	800 (31.5)	400 (15.7)	1	NSYSFV12	NSYSFC84	NSYBP128	NSY2SP124	NSYSFD128	NSYSFD128T	NSYMP128
1200 (47.2)	800 (31.5)	500 (19.7)	1	NSYSFV12	NSYSFC85	NSYBP128	NSY2SP125	NSYSFD128	NSYSFD128T	NSYMP128
1200 (47.2)	800 (31.5)	600 (23.6)	1	NSYSFV12	NSYSFC86	NSYBP128	NSY2SP126	NSYSFD128	NSYSFD128T	NSYMP128
1200 (47.2)	800 (31.5)	800 (31.5)	1	NSYSFV12	NSYSFC88	NSYBP128	NSY2SP128	NSYSFD128	NSYSFD128T	NSYMP128
1400 (55.1)	600 (23.6)	400 (15.7)	1	NSYSFV14	NSYSFC64	NSYBP146	NSY2SP144	NSYSFD146	NSYSFD146T	NSYMP146
1400 (55.1)	600 (23.6)	500 (19.7)	1	NSYSFV14	NSYSFC65	NSYBP146	NSY2SP145	NSYSFD146	NSYSFD146T	NSYMP146
1400 (55.1)	600 (23.6)	600 (23.6)	1	NSYSFV14	NSYSFC66	NSYBP146	NSY2SP146	NSYSFD146	NSYSFD146T	NSYMP146
1400 (55.1)	600 (23.6)	800 (31.5)	1	NSYSFV14	NSYSFC68	NSYBP146	NSY2SP148	NSYSFD146	NSYSFD146T	NSYMP146
1400 (55.1)	800 (31.5)	400 (15.7)	1	NSYSFV14	NSYSFC84	NSYBP148	NSY2SP144	NSYSFD148	NSYSFD148T	NSYMP148
1400 (55.1)	800 (31.5)	500 (19.7)	1	NSYSFV14	NSYSFC85	NSYBP148	NSY2SP145	NSYSFD148	NSYSFD148T	NSYMP148
1400 (55.1)	800 (31.5)	600 (23.6)	1	NSYSFV14	NSYSFC86	NSYBP148	NSY2SP146	NSYSFD148	NSYSFD148T	NSYMP148
1400 (55.1)	800 (31.5)	800 (31.5)	1	NSYSFV14	NSYSFC88	NSYBP148	NSY2SP148	NSYSFD148	NSYSFD148T	NSYMP148
1600 (63.0)	600 (23.6)	400 (15.7)	1	NSYSFV16	NSYSFC64	NSYBP166	NSY2SP164	NSYSFD166	NSYSFD166T	NSYMP166
1600 (63.0)	600 (23.6)	500 (19.7)	1	NSYSFV16	NSYSFC65	NSYBP166	NSY2SP165	NSYSFD166	NSYSFD166T	NSYMP166
1600 (63.0)	600 (23.6)	600 (23.6)	1	NSYSFV16	NSYSFC66	NSYBP166	NSY2SP166	NSYSFD166	NSYSFD166T	NSYMP166
1600 (63.0)	600 (23.6)	800 (31.5)	1	NSYSFV16	NSYSFC68	NSYBP166	NSY2SP168	NSYSFD166	NSYSFD166T	NSYMP166
1600 (63.0)	800 (31.5)	400 (15.7)	1	NSYSFV16	NSYSFC84	NSYBP168	NSY2SP164	NSYSFD168	NSYSFD168T	NSYMP168
1600 (63.0)	800 (31.5)	500 (19.7)	1	NSYSFV16	NSYSFC85	NSYBP168	NSY2SP165	NSYSFD168	NSYSFD168T	NSYMP168
1600 (63.0)	800 (31.5)	600 (23.6)	1	NSYSFV16	NSYSFC86	NSYBP168	NSY2SP166	NSYSFD168	NSYSFD168T	NSYMP168
1600 (63.0)	800 (31.5)	800 (31.5)	1	NSYSFV16	NSYSFC88	NSYBP168	NSY2SP168	NSYSFD168	NSYSFD168T	NSYMP168
1800 (70.9)	400 (15.7)	400 (15.7)	1	NSYSFV18	NSYSFC44	NSYBP184	NSY2SP184	NSYSFD184	-	-
1800 (70.9)	400 (15.7)	500 (19.7)	1	NSYSFV18	NSYSFC45	NSYBP184	NSY2SP185	NSYSFD184	-	-
1800 (70.9)	400 (15.7)	600 (23.6)	1	NSYSFV18	NSYSFC46	NSYBP184	NSY2SP186	NSYSFD184	-	-
1800 (70.9)	400 (15.7)	800 (31.5)	1	NSYSFV18	NSYSFC48	NSYBP184	NSY2SP188	NSYSFD184	-	-
1800 (70.9)	600 (23.6)	400 (15.7)	1	NSYSFV18	NSYSFC64	NSYBP186	NSY2SP184	NSYSFD186	NSYSFD186T	NSYMP186
1800 (70.9)	600 (23.6)	500 (19.7)	1	NSYSFV18	NSYSFC65	NSYBP186	NSY2SP185	NSYSFD186	NSYSFD186T	NSYMP186
1800 (70.9)	600 (23.6)	600 (23.6)	1	NSYSFV18	NSYSFC66	NSYBP186	NSY2SP186	NSYSFD186	NSYSFD186T	NSYMP186
1800 (70.9)	600 (23.6)	800 (31.5)	1	NSYSFV18	NSYSFC68	NSYBP186	NSY2SP188	NSYSFD186	NSYSFD186T	NSYMP186
1800 (70.9)	800 (31.5)	400 (15.7)	1	NSYSFV18	NSYSFC84	NSYBP188	NSY2SP184	NSYSFD188	NSYSFD188T	NSYMP188
1800 (70.9)	800 (31.5)	500 (19.7)	1	NSYSFV18	NSYSFC85	NSYBP188	NSY2SP185	NSYSFD188	NSYSFD188T	NSYMP188
1800 (70.9)	800 (31.5)	600 (23.6)	1	NSYSFV18	NSYSFC86	NSYBP188	NSY2SP186	NSYSFD188	NSYSFD188T	NSYMP188
1800 (70.9)	800 (31.5)	800 (31.5)	2	NSYSFV18	NSYSFC88	NSYBP188	NSY2SP186	NSYSFD1882D	-	NSYMP188
1800 (70.9)	800 (31.5)	800 (31.5)	1	NSYSFV18	NSYSFC86	NSYBP188	NSY2SP188	NSYSFD188	NSYSFD188T	NSYMP188
1800 (70.9)	800 (31.5)	800 (31.5)	2	NSYSFV18	NSYSFC88	NSYBP188	NSY2SP188	NSYSFD1882D	-	NSYMP188
1800 (70.9)	1000 (39.4)	400 (15.7)	1	NSYSFV18	NSYSFC104	NSYBP1810	NSY2SP184	NSYSFD1810	NSYSFD1810T	NSYMP1810
1800 (70.9)	1000 (39.4)	400 (15.7)	2	NSYSFV18	NSYSFC104	NSYBP1810	NSY2SP184	NSYSFD18102D	-	NSYMP1810
1800 (70.9)	1000 (39.4)	500 (19.7)	1	NSYSFV18	NSYSFC105	NSYBP1810	NSY2SP185	NSYSFD1810	NSYSFD1810T	NSYMP1810
1800 (70.9)	1000 (39.4)	600 (23.6)	1	NSYSFV18	NSYSFC106	NSYBP1810	NSY2SP186	NSYSFD1810	NSYSFD1810T	NSYMP1810
1800 (70.9)	1000 (39.4)	600 (23.6)	2	NSYSFV18	NSYSFC106	NSYBP1810	NSY2SP186	NSYSFD18102D	-	NSYMP1810
1800 (70.9)	1000 (39.4)	800 (31.5)	1	NSYSFV18	NSYSFC108	NSYBP1810	NSY2SP188	NSYSFD1810	NSYSFD1810T	NSYMP1810
1800 (70.9)	1000 (39.4)	800 (31.5)	2	NSYSFV18	NSYSFC108	NSYBP1810	NSY2SP188	NSYSFD18102D	-	NSYMP1810
1800 (70.9)	1200 (47.2)	400 (15.7)	2	NSYSFV18	NSYSFC124	NSYBP1812	NSY2SP184	NSYSFD18122D	NSYSFD18122DT	NSYMP1812
1800 (70.9)	1200 (47.2)	500 (19.7)	2	NSYSFV18	NSYSFC125	NSYBP1812	NSY2SP185	NSYSFD18122D	NSYSFD18122DT	NSYMP1812
1800 (70.9)	1200 (47.2)	600 (23.6)	2	NSYSFV18	NSYSFC126	NSYBP1812	NSY2SP186	NSYSFD18122D	NSYSFD18122DT	NSYMP1812
1800 (70.9)	1200 (47.2)	800 (31.5)	2	NSYSFV18	NSYSFC128	NSYBP1812	NSY2SP188	NSYSFD18122D	NSYSFD18122DT	NSYMP1812

(1) Hinges, locking bar catches and handle with 5-mm (0.2 in.) double-bar insert included.



# Modular metal enclosures

## Supplied as a kit



Nominal dimensions: mm (in.)			No. of doors	Vertical uprights	Bottom frame and top frame with roof	Rear panel	Side panels	Plain door (1)	Transparent door (Securit glass) (1)	Mounting plate
Height (A)	Width (B)	Depth (C)								
Painted with epoxy-polyester resin, textured RAL 7035										
2000 (78.7)	300 (11.8)	500 (19.7)	1	NSYSFV20	NSYSFC35	NSYBP203	NSY2SP205	NSYSFD203	-	-
2000 (78.7)	300 (11.8)	600 (23.6)	1	NSYSFV20	NSYSFC36	NSYBP203	NSY2SP206	NSYSFD203	-	-
2000 (78.7)	400 (15.7)	400 (15.7)	1	NSYSFV20	NSYSFC44	NSYBP204	NSY2SP204	NSYSFD204	-	-
2000 (78.7)	400 (15.7)	500 (19.7)	1	NSYSFV20	NSYSFC45	NSYBP204	NSY2SP205	NSYSFD204	-	-
2000 (78.7)	400 (15.7)	600 (23.6)	1	NSYSFV20	NSYSFC46	NSYBP204	NSY2SP206	NSYSFD204	-	-
2000 (78.7)	400 (15.7)	800 (31.5)	1	NSYSFV20	NSYSFC48	NSYBP204	NSY2SP208	NSYSFD204	-	-
2000 (78.7)	600 (23.6)	400 (15.7)	1	NSYSFV20	NSYSFC64	NSYBP206	NSY2SP204	NSYSFD206	NSYSFD206T	NSYMP206
2000 (78.7)	600 (23.6)	500 (19.7)	1	NSYSFV20	NSYSFC65	NSYBP206	NSY2SP205	NSYSFD206	NSYSFD206T	NSYMP206
2000 (78.7)	600 (23.6)	600 (23.6)	1	NSYSFV20	NSYSFC66	NSYBP206	NSY2SP206	NSYSFD206	NSYSFD206T	NSYMP206
2000 (78.7)	600 (23.6)	800 (31.5)	1	NSYSFV20	NSYSFC68	NSYBP206	NSY2SP208	NSYSFD206	NSYSFD206T	NSYMP206
2000 (78.7)	800 (31.5)	400 (15.7)	1	NSYSFV20	NSYSFC84	NSYBP208	NSY2SP204	NSYSFD208	NSYSFD208T	NSYMP208
2000 (78.7)	800 (31.5)	500 (19.7)	1	NSYSFV20	NSYSFC85	NSYBP208	NSY2SP205	NSYSFD208	NSYSFD208T	NSYMP208
2000 (78.7)	800 (31.5)	600 (23.6)	1	NSYSFV20	NSYSFC86	NSYBP208	NSY2SP206	NSYSFD208	NSYSFD208T	NSYMP208
2000 (78.7)	800 (31.5)	600 (23.6)	2	NSYSFV20	NSYSFC86	NSYBP208	NSY2SP206	NSYSFD2082D	-	NSYMP208
2000 (78.7)	800 (31.5)	800 (31.5)	1	NSYSFV20	NSYSFC88	NSYBP208	NSY2SP208	NSYSFD208	NSYSFD208T	NSYMP208
2000 (78.7)	800 (31.5)	800 (31.5)	2	NSYSFV20	NSYSFC88	NSYBP208	NSY2SP208	NSYSFD2082D	-	NSYMP208
2000 (78.7)	1000 (39.4)	400 (15.7)	1	NSYSFV20	NSYSFC104	NSYBP2010	NSY2SP204	NSYSFD2010	NSYSFD2010T	NSYMP2010
2000 (78.7)	1000 (39.4)	400 (15.7)	2	NSYSFV20	NSYSFC104	NSYBP2010	NSY2SP204	NSYSFD20102D	-	NSYMP2010
2000 (78.7)	1000 (39.4)	500 (19.7)	1	NSYSFV20	NSYSFC105	NSYBP2010	NSY2SP205	NSYSFD2010	NSYSFD2010T	NSYMP2010
2000 (78.7)	1000 (39.4)	500 (19.7)	2	NSYSFV20	NSYSFC105	NSYBP2010	NSY2SP205	NSYSFD20102D	-	NSYMP2010
2000 (78.7)	1000 (39.4)	600 (23.6)	1	NSYSFV20	NSYSFC106	NSYBP2010	NSY2SP206	NSYSFD2010	NSYSFD2010T	NSYMP2010
2000 (78.7)	1000 (39.4)	600 (23.6)	2	NSYSFV20	NSYSFC106	NSYBP2010	NSY2SP206	NSYSFD20102D	-	NSYMP2010
2000 (78.7)	1000 (39.4)	800 (31.5)	1	NSYSFV20	NSYSFC108	NSYBP2010	NSY2SP208	NSYSFD2010	NSYSFD2010T	NSYMP2010
2000 (78.7)	1000 (39.4)	800 (31.5)	2	NSYSFV20	NSYSFC108	NSYBP2010	NSY2SP208	NSYSFD20102D	-	NSYMP2010
2000 (78.7)	1200 (47.2)	400 (15.7)	2	NSYSFV20	NSYSFC124	NSYBP2012	NSY2SP204	NSYSFD20122D	NSYSFD20122DT	NSYMP2012
2000 (78.7)	1200 (47.2)	500 (19.7)	2	NSYSFV20	NSYSFC125	NSYBP2012	NSY2SP205	NSYSFD20122D	NSYSFD20122DT	NSYMP2012
2000 (78.7)	1200 (47.2)	600 (23.6)	2	NSYSFV20	NSYSFC126	NSYBP2012	NSY2SP206	NSYSFD20122D	NSYSFD20122DT	NSYMP2012
2000 (78.7)	1200 (47.2)	800 (31.5)	2	NSYSFV20	NSYSFC128	NSYBP2012	NSY2SP208	NSYSFD20122D	NSYSFD20122DT	NSYMP2012
2000 (78.7)	1600 (63.0)	400 (15.7)	2	NSYSFV20	NSYSFC164	NSYBP2016	NSY2SP204	NSYSFD20162D	-	NSYMP2016
2000 (78.7)	1600 (63.0)	500 (19.7)	2	NSYSFV20	NSYSFC165	NSYBP2016	NSY2SP205	NSYSFD20162D	-	NSYMP2016
2000 (78.7)	1600 (63.0)	600 (23.6)	2	NSYSFV20	NSYSFC166	NSYBP2016	NSY2SP206	NSYSFD20162D	-	NSYMP2016
2200 (86.6)	400 (15.7)	400 (15.7)	1	NSYSFV22	NSYSFC44	NSYBP224	NSY2SP224	NSYSFD224	-	-
2200 (86.6)	400 (15.7)	500 (19.7)	1	NSYSFV22	NSYSFC45	NSYBP224	NSY2SP225	NSYSFD224	-	-
2200 (86.6)	400 (15.7)	600 (23.6)	1	NSYSFV22	NSYSFC46	NSYBP224	NSY2SP226	NSYSFD224	-	-
2200 (86.6)	400 (15.7)	800 (31.5)	1	NSYSFV22	NSYSFC48	NSYBP224	NSY2SP228	NSYSFD224	-	-
2200 (86.6)	600 (23.6)	400 (15.7)	1	NSYSFV22	NSYSFC64	NSYBP226	NSY2SP224	NSYSFD226	NSYSFD226T	NSYMP226
2200 (86.6)	600 (23.6)	500 (19.7)	1	NSYSFV22	NSYSFC65	NSYBP226	NSY2SP225	NSYSFD226	NSYSFD226T	NSYMP226
2200 (86.6)	600 (23.6)	600 (23.6)	1	NSYSFV22	NSYSFC66	NSYBP226	NSY2SP226	NSYSFD226	NSYSFD226T	NSYMP226
2200 (86.6)	600 (23.6)	800 (31.5)	1	NSYSFV22	NSYSFC68	NSYBP226	NSY2SP228	NSYSFD226	NSYSFD226T	NSYMP226
2200 (86.6)	800 (31.5)	400 (15.7)	1	NSYSFV22	NSYSFC84	NSYBP228	NSY2SP224	NSYSFD228	NSYSFD228T	NSYMP228
2200 (86.6)	800 (31.5)	500 (19.7)	1	NSYSFV22	NSYSFC85	NSYBP228	NSY2SP225	NSYSFD228	NSYSFD228T	NSYMP228
2200 (86.6)	800 (31.5)	600 (23.6)	1	NSYSFV22	NSYSFC86	NSYBP228	NSY2SP226	NSYSFD228	NSYSFD228T	NSYMP228
2200 (86.6)	800 (31.5)	800 (31.5)	1	NSYSFV22	NSYSFC88	NSYBP228	NSY2SP228	NSYSFD228	NSYSFD228T	NSYMP228
2200 (86.6)	1000 (39.4)	400 (15.7)	1	NSYSFV22	NSYSFC104	NSYBP2210	NSY2SP224	NSYSFD2210	NSYSFD2210T	NSYMP2210
2200 (86.6)	1000 (39.4)	500 (19.7)	1	NSYSFV22	NSYSFC105	NSYBP2210	NSY2SP225	NSYSFD2210	NSYSFD2210T	NSYMP2210
2200 (86.6)	1000 (39.4)	600 (23.6)	1	NSYSFV22	NSYSFC106	NSYBP2210	NSY2SP226	NSYSFD2210	NSYSFD2210T	NSYMP2210
2200 (86.6)	1000 (39.4)	800 (31.5)	1	NSYSFV22	NSYSFC108	NSYBP2210	NSY2SP228	NSYSFD2210	NSYSFD2210T	NSYMP2210
2200 (86.6)	1200 (47.2)	400 (15.7)	2	NSYSFV22	NSYSFC124	NSYBP2212	NSY2SP224	NSYSFD22122D	NSYSFD22122DT	NSYMP2212
2200 (86.6)	1200 (47.2)	500 (19.7)	2	NSYSFV22	NSYSFC125	NSYBP2212	NSY2SP225	NSYSFD22122D	NSYSFD22122DT	NSYMP2212
2200 (86.6)	1200 (47.2)	600 (23.6)	2	NSYSFV22	NSYSFC126	NSYBP2212	NSY2SP226	NSYSFD22122D	NSYSFD22122DT	NSYMP2212
2200 (86.6)	1200 (47.2)	800 (31.5)	2	NSYSFV22	NSYSFC128	NSYBP2212	NSY2SP228	NSYSFD22122D	NSYSFD22122DT	NSYMP2212

(1) Hinges, locking bar catches and handle with 5-mm (0.2 in.) double-bar insert included.

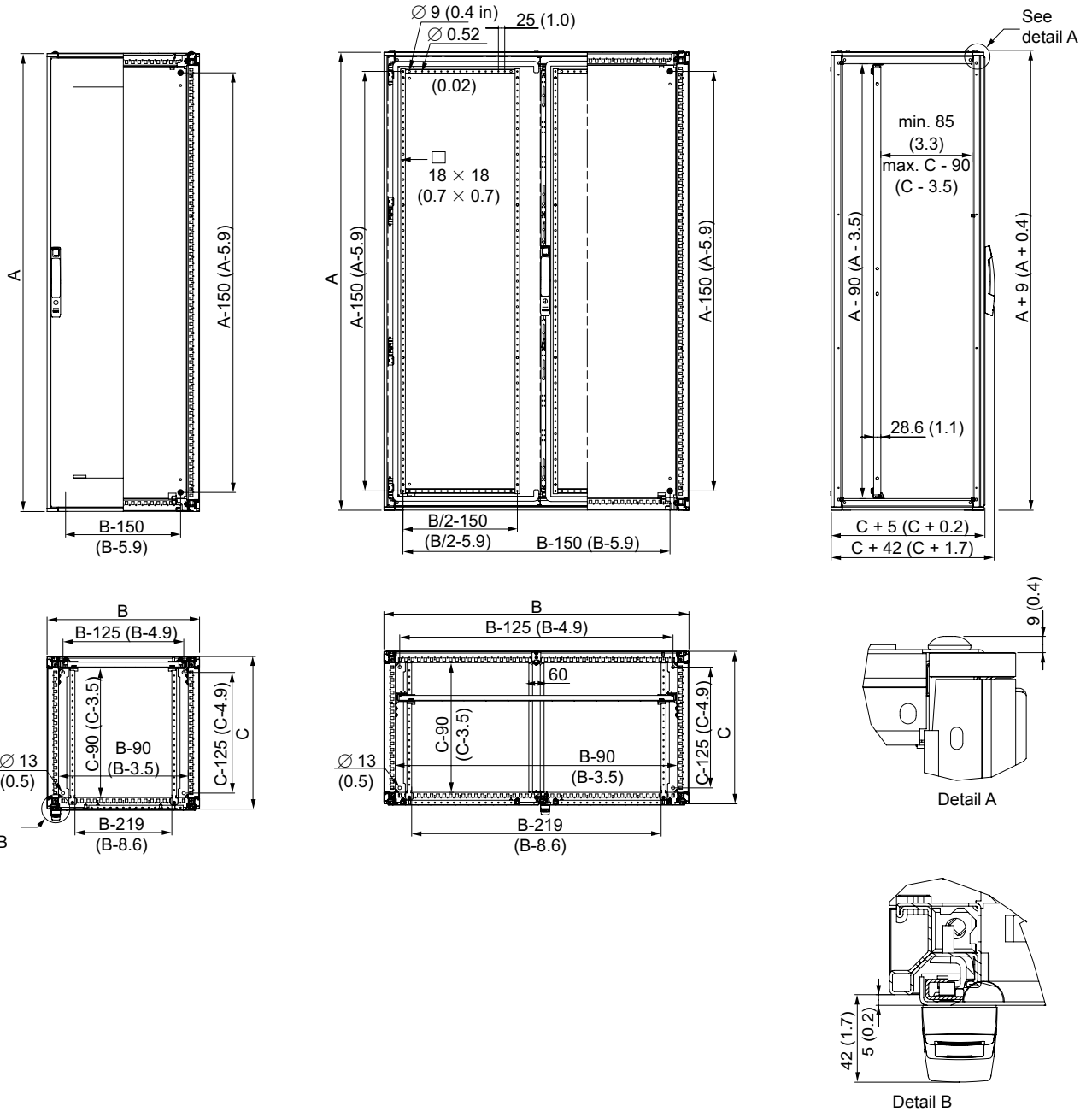




# Modular metal enclosures

## Dimensions

4



# Accessories

## Side panels



### External mounting side panels

- Set of 2 side panels fixed from the outside of the enclosure.
- Captive screws.
- Material: steel.
- Finish: painted with epoxy-polyester resin, textured RAL 7035 gray.



Supply: 2 side panels mounted from the outside and mounting hardware.

Nominal dimensions: mm (in.)		Catalog number
Height	Depth	
1200 (47.2)	400 (15.7)	NSY2SP124
	500 (19.7)	NSY2SP125
	600 (23.6)	NSY2SP126
	800 (31.5)	NSY2SP128
1400 (55.1)	400 (15.7)	NSY2SP144
	500 (19.7)	NSY2SP145
	600 (23.6)	NSY2SP146
	800 (31.5)	NSY2SP148
1600 (63.0)	400 (15.7)	NSY2SP164
	500 (19.7)	NSY2SP165
	600 (23.6)	NSY2SP166
	800 (31.5)	NSY2SP168
1800 (70.9)	400 (15.7)	NSY2SP184
	500 (19.7)	NSY2SP185
	600 (23.6)	NSY2SP186
	800 (31.5)	NSY2SP188
2000 (78.7)	400 (15.7)	NSY2SP204
	500 (19.7)	NSY2SP205
	600 (23.6)	NSY2SP206
	800 (31.5)	NSY2SP208
2200 (86.6)	400 (15.7)	NSY2SP224
	500 (19.7)	NSY2SP225
	600 (23.6)	NSY2SP226
	800 (31.5)	NSY2SP228



### Trim cap

- Trim cap for externally-mounted panels, both side and rear.
- Material: polyamide 6.
- Finish: RAL 7035 gray.



Supply: 50 units.



Catalog number by unit. Order in multiples of 50 (50, 100, 150...).

**Catalog number**  
NSYCSP


# Accessories

## Side panels



### Internal mounting side panels

- Set of 2 side panels mounted from the inside of the enclosure, to help prevent access by unauthorized personnel. Very useful in public spaces.
- Material: steel.
- Finish: painted with epoxy-polyester resin, textured RAL 7035 gray.

 Supply: 2 side panels for internal mounting, with sealing gasket and a bag of hardware.

Nominal dimensions: mm (in.)		Catalog number
Height	Depth	
1200 (47.2)	600 (23.6)	<b>NSY2SPI126</b>
	500 (19.7)	<b>NSY2SPI185</b>
1800 (70.9)	600 (23.6)	<b>NSY2SPI186</b>
	800 (31.5)	<b>NSY2SPI188</b>
2000 (78.7)	400 (15.7)	<b>NSY2SPI204</b>
	500 (19.7)	<b>NSY2SPI205</b>
	600 (23.6)	<b>NSY2SPI206</b>
	800 (31.5)	<b>NSY2SPI208</b>
2200 (86.6)	600 (23.6)	<b>NSY2SPI226</b>
	800 (31.5)	<b>NSY2SPI228</b>

4


**> Advantage:**

Side panels help prevent access by unauthorized personnel; advisable for use in public spaces.



### Quick-mounting side panels

- Set of 2 side panels mounted to the outside of the enclosure with clipping locks.
- Material: steel.
- Finish: painted with epoxy-polyester resin, textured RAL 7035 gray.
- IP40 protection.

 Supply: 2 side panels, mounted with clips, with no sealing gasket or mounting hardware.

Nominal dimensions: mm (in.)		Catalog number
Height	Depth	
1200 (47.2)	600 (23.6)	<b>NSY2SPQ126</b>
	800 (31.5)	<b>NSY2SPQ128</b>
1400 (55.1)	600 (23.6)	<b>NSY2SPQ146</b>
	800 (31.5)	<b>NSY2SPQ148</b>
1600 (63.0)	600 (23.6)	<b>NSY2SPQ166</b>
	800 (31.5)	<b>NSY2SPQ168</b>
1800 (70.9)	600 (23.6)	<b>NSY2SPQ186</b>
	800 (31.5)	<b>NSY2SPQ188</b>
2000 (78.7)	600 (23.6)	<b>NSY2SPQ206</b>
	800 (31.5)	<b>NSY2SPQ208</b>
2200 (86.6)	600 (23.6)	<b>NSY2SPQ226</b>
	800 (31.5)	<b>NSY2SPQ228</b>

**> Advantage:**

Quick access to the inside of the enclosure.

# Accessories Panels



**> Advantage:**

Internal rear panels help prevent access by unauthorized personnel; advisable for use in public spaces.

## Internal mounting rear panel

- Rear panel mounted from the inside of the enclosure, to help prevent unauthorized personnel from accessing and removing it. Normally used in public spaces.
- Material: steel.
- Finish: painted with epoxy-polyester resin, textured RAL 7035 gray.



Supply: 1 rear panel mounted from the inside and mounting hardware.

Nominal dimensions: mm (in.)		Catalog number
Height	Width	
1200 (47.2)	600 (23.6)	NSYBPI126
	600 (23.6)	NSYBPI166
1600 (63.0)	800 (31.5)	NSYBPI168
	600 (23.6)	NSYBPI186
1800 (70.9)	800 (31.5)	NSYBPI188
	1000 (39.4)	NSYBPI1810
	400 (15.7)	NSYBPI204
2000 (78.7)	600 (23.6)	NSYBPI206
	800 (31.5)	NSYBPI208
	1000 (39.4)	NSYBPI2010
	1200 (47.2)	NSYBPI2012
2200 (86.6)	600 (23.6)	NSYBPI226
	800 (31.5)	NSYBPI228
	1000 (39.4)	NSYBPI2210



## Partition panel

- Partition panel for direct mounting to the structure, helps ensure a water/dust protection of IP10 between enclosure modules.
- Material: galvanized steel.



Supply: 1 partition panel, sealing gasket and mounting hardware.

Nominal dimensions: mm (in.)		Catalog number
Height	Depth	
1600 (63.0)	600 (23.6)	NSYPPS166
	800 (31.5)	NSYPPS168
1800 (70.9)	400 (15.7)	NSYPPS184
	500 (19.7)	NSYPPS185
	600 (23.6)	NSYPPS186
2000 (78.7)	400 (15.7)	NSYPPS204
	500 (19.7)	NSYPPS205
	600 (23.6)	NSYPPS206
	800 (31.5)	NSYPPS208
2200 (86.6)	600 (23.6)	NSYPPS226
	800 (31.5)	NSYPPS228

# Accessories

## Panels



### Protective cover for lateral sockets

- Protective cover for sockets mounted on the modular partition panel.
- Depth of 200 mm (7.9 in.).
- Door opening of 120°.
- Internal locking system shared with the enclosure. 5-mm (0.2 in.) double-bar flat escutcheon. Possibility of changing the flat escutcheon for the handle.
- Material: steel.
- Finish: painted with epoxy-polyester resin, textured RAL 7035 gray.



Supply: protective cover, plain cable-entry plate and mounting hardware.

Nominal dimensions: mm (in.)		Catalog number
Height (A)	Depth (C)	
1800 (70.9)	500 (19.7)	<b>NSYCPC185</b>
	600 (23.6)	<b>NSYCPC186</b>
2000 (78.7)	500 (19.7)	<b>NSYCPC205</b>
	600 (23.6)	<b>NSYCPC206</b>

# Accessories

## Enclosure modules

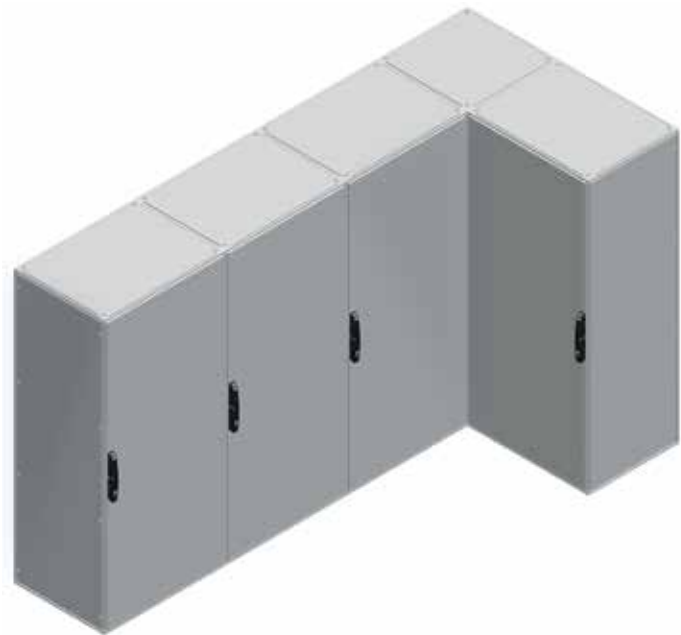
### Combination examples with Spacial SF

The enclosures are designed to facilitate joining them in sets. Thanks to the speed and ease with which enclosures can be joined in the width and depth directions, and the accessories created to facilitate joining and transporting them, we can provide a solution for most electric installations.

The connecting parts are attached to the enclosures using self-tapping M6 screws, although if necessary they can be installed using M6 and M8 caged nuts **NSYCNFM6, NSYCNFM8**.

Combination examples	Catalog number
Standard + reinforced coupling kit	<b>NSYSFBK + NSYSFBKR</b>
19" + reinforced coupling kit	<b>NSYSFBK19 + NSYSFBKR</b>
External + reinforced coupling kit	<b>NSYSFBKE + NSYSFBKR</b>
External + quick coupling kit	<b>NSYSFBKE + NSYSFBKF</b>

**Note:** For lifting and transport instructions, see page 4/55.



**> Advantage:**

Multiple assembly options, adapting to any need.

# Accessories

## Enclosure modules



### Standard coupling kit

- Used for joining enclosures side-to-side or depthwise.
- Mounting from the inside of the enclosures.
- Degree of protection: IP55.
- Material:
  - Flat connectors and brackets: zinc-coated steel.
  - Sealing gasket: EPDM.

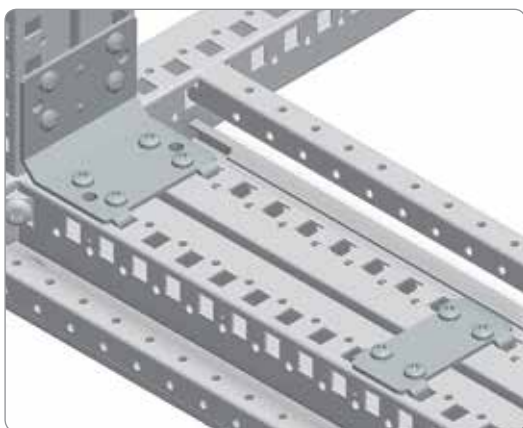


Supply: 4 brackets, 2 flat connectors, sealing gasket and mounting hardware.

Catalog number

**NSYSFBK**

4



### Swing 19" rack coupling kit

- Used for joining enclosures equipped with swing 19" rack, side-to-side or depthwise.
- Mounting from the inside of the enclosures.
- Degree of protection: IP55.
- Material:
  - Flat connectors: zinc-coated steel.
  - Sealing gasket: EPDM.



Supply: 8 flat connectors, sealing gasket and mounting hardware.

Catalog number

**NSYSFBK19**



# Accessories

## Enclosure modules



### Reinforced coupling

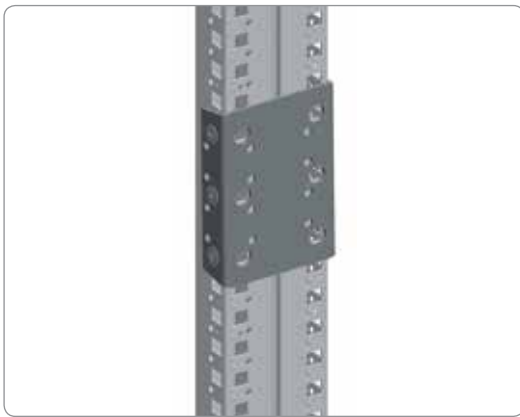
- Used together with the **coupling kit** to reinforce the connection between 2 enclosures when they carry heavy loads.
- Mounting from the inside of the enclosures.
- Material: zinc-coated steel.



Supply: 4 reinforced connectors and mounting hardware.

#### Catalog number

**NSYSFBKR**



### Quick coupling

- Used for quickly joining 2 enclosures.
- Mounting from the inside of the enclosures.
- Recommended for coupling enclosures in their provisional workshop location, when the required IP degree is not high.
- Degree of protection: IP40.
- Material: zinc-coated steel.



Supply: 4 flat links and mounting hardware.

#### Catalog number

**NSYSFBKF**






# Accessories

## Enclosure modules



### Kit for coupling previous versions with Spacial SF

- Used for coupling an enclosure of a previous version (OLN or Spacial 6000) side-to-side or depthwise with a **Spacial SF** enclosure.
- Mounting from the inside of the enclosures.
- Degree of protection: IP55.
- Material:
  - Flat connectors and spacers: zinc-coated steel.
  - Sealing gasket: EPDM.

 Supply: 4 spacers, 4 flat connectors, sealing gasket and mounting hardware.


Catalog number

**NSYSFBKSH**



### External coupling kit

- Allows two enclosures to be joined by their structure.
- Mounting from the outside of the enclosures.
- The mounting plate or vertical uprights fixed to the back of the enclosure help prevent unauthorized modification of the kit.
- It can be combined with the reinforced coupling kit or the quick coupling kit.
- Degree of protection: IP55.
- Material:
  - External connectors: zinc-coated steel.
  - Sealing gasket: EPDM.

 Supply: 4 external connectors, sealing gasket and mounting hardware.

Catalog number

**NSYSFBKE**



# Accessories

## Enclosure modules



### Enclosure coupling kit for Spacial SM

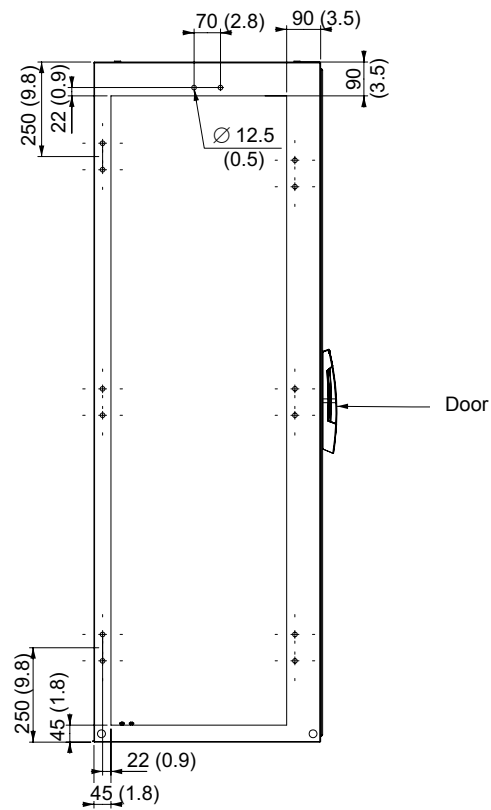
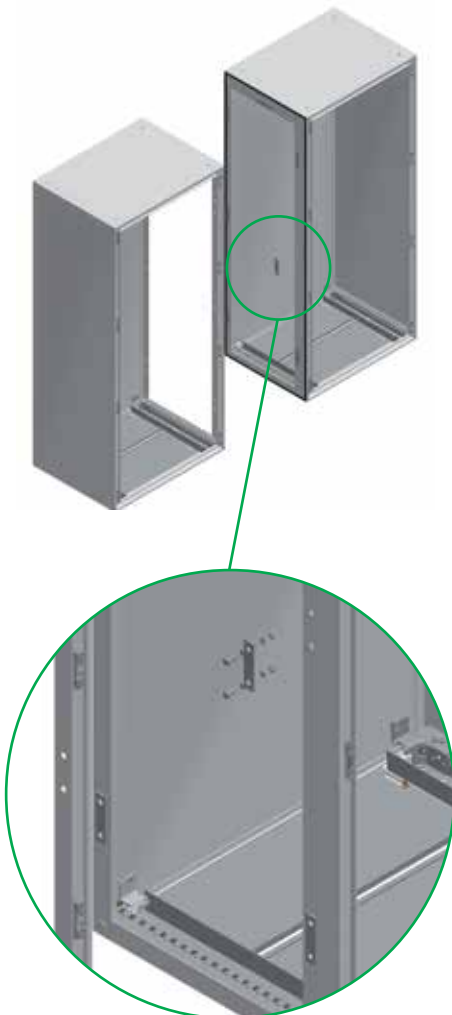
- Used for joining enclosures side-to-side.
- Enclosures joined from the inside.
- Degree of protection: IP55.
- Material:
- 9 × 9 mm (0.4 × 0.4 in.) sealing gasket: EPDM.



Supply: 1 sealing gasket and mounting hardware.

Catalog number

**NSYSMBK**



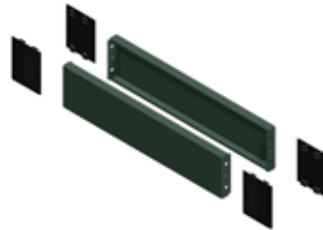
### Plinth in kit form

Front and rear kit



Plinth height 100 mm (3.9 in.)

Side panels



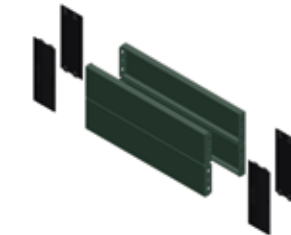
Complete plinth



4



Plinth height 200 mm (7.9 in.)



The complete plinth consists of two elements: (1) the front and rear kit, determined by the length of the enclosure, and (2) the side panels, determined by the depth of the enclosure.  
The number of side panels required depends upon the desired plinth combination.

#### > Advantages:

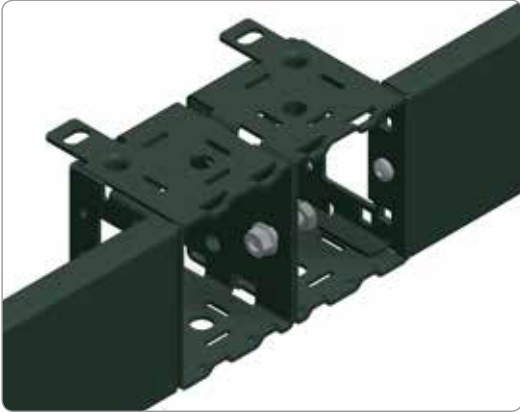
- Robust design.
- The modular plinth system makes it possible to reduce the number of models in stock.

### Joining plinths

- ❶ The surfaces between corners are maintained in contact. They are joined with an M8 screw and nut (not included in the standard supply).

> **Advantages:**

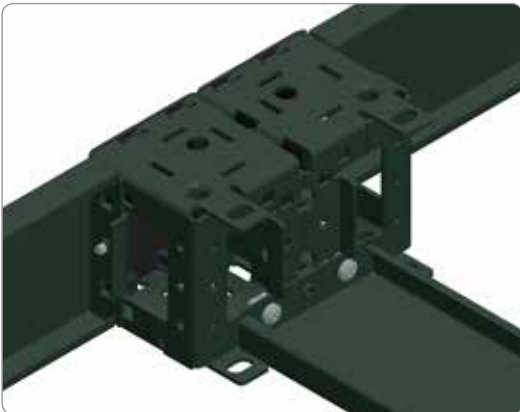
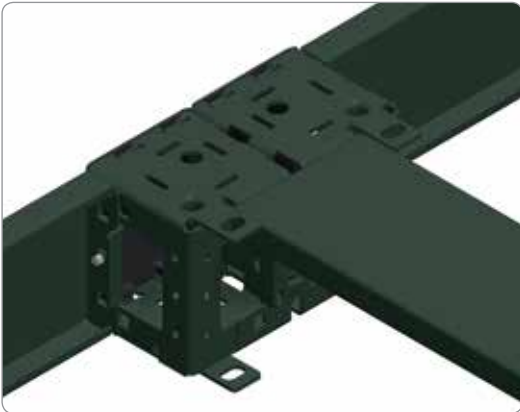
- Longitudinally free space for passing cables.
- Greater rigidity of the resultant assembled unit.



- ❷ The side panels are joined with M6 screws and caged nuts (not included in the standard supply), catalog number **NSYSPM6** and catalog number **NSYCN9M625**. The side panels can be mounted on the top or bottom of joined corners.

> **Advantage:**

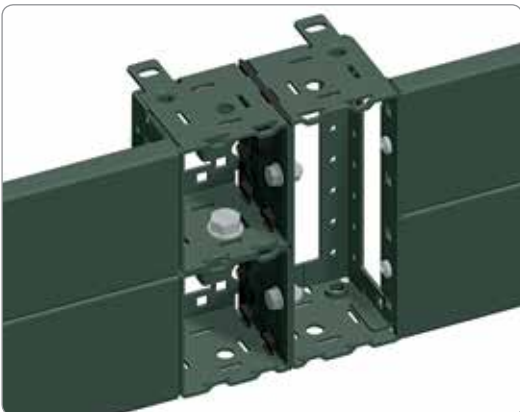
- Improves rigidity in the depthwise direction during transport.

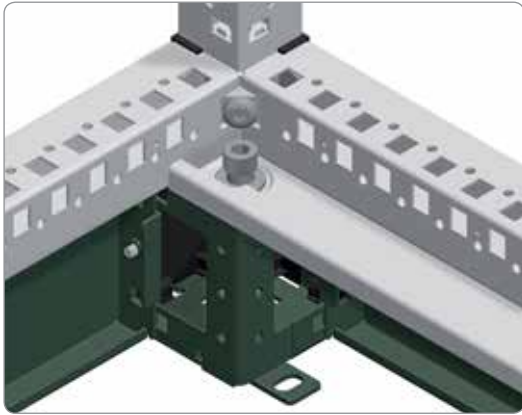


- ❸ **Vertical plinth assembly** with M12 screws and nuts, not included in the standard supply.

> **Advantage:**

- Two corners can be combined for greater height.



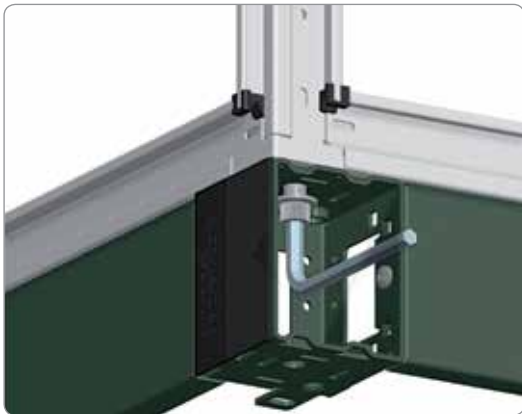


### Mounting the enclosure to the plinth

- 1 Mounting from the inside of the enclosure with an M12 screw, which screws directly into the corner of the plinth.

> **Advantage:**

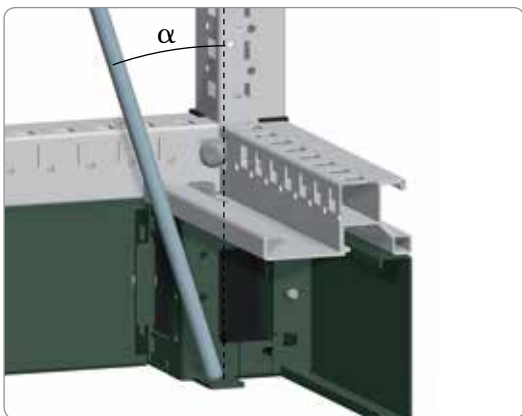
- Mounting is convenient and fast.



- 2 Mounting from the outside of the enclosure with a M12 screw, which screws directly onto the vertical upright.

> **Advantage:**

- Maximum rigidity of the enclosure-plinth assembly.

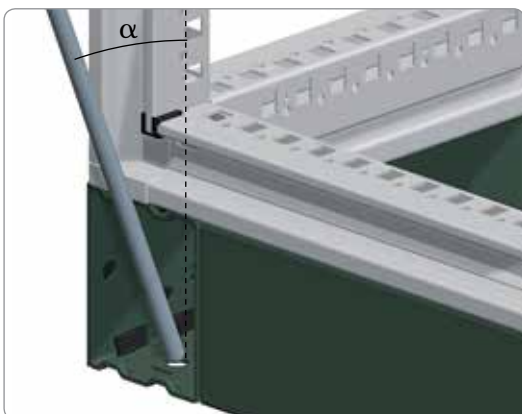


### Mounting the plinth to the floor

- 1 Mounting from the inside of the enclosure.

The machining angle varies according to the plinth model:

- Plinth height 100 mm (3.9 in.):  $\alpha = 18^\circ$ .
- Plinth height 200 mm (7.9 in.):  $\alpha = 9^\circ$



- 2 Mounting from the outside of the enclosure. This is the optimum mounting point for achieving assembly rigidity.

The machining angle varies according to the plinth model:

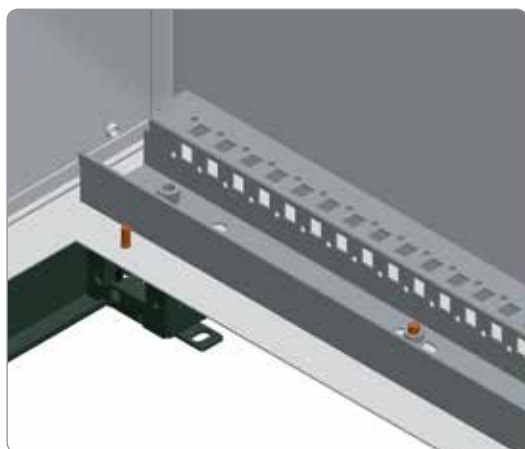
- Plinth height 100 mm (3.9 in.):  $\alpha = 22^\circ$ .
- Plinth height 200 mm (7.9 in.):  $\alpha = 11^\circ$ .

- 3 It is also possible to use floor-mounting supports, catalog number **NSYSGF**, to attach the corner, or the panel and the corner, to the floor.

The end corners can be rotated to facilitate removal of the plinth side panels, or to access the external mounting point on the floor when the set is installed against the wall.

# Accessories

## Floor

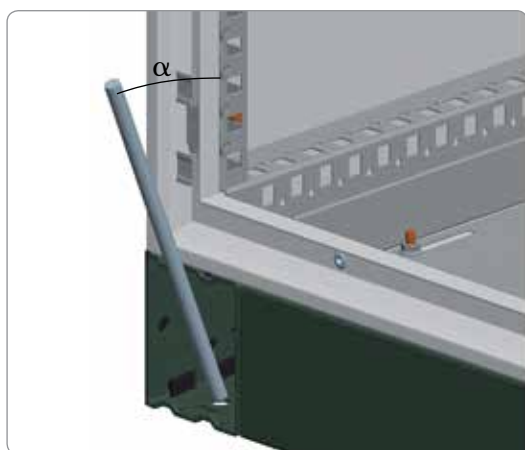


### Mounting the enclosure to the plinth

Mounting from the inside of the enclosure with an M12 screw, which screws directly into the corner of the plinth.

**> Advantage:**

- Mounting is convenient and fast.



### Mounting the enclosure to the floor

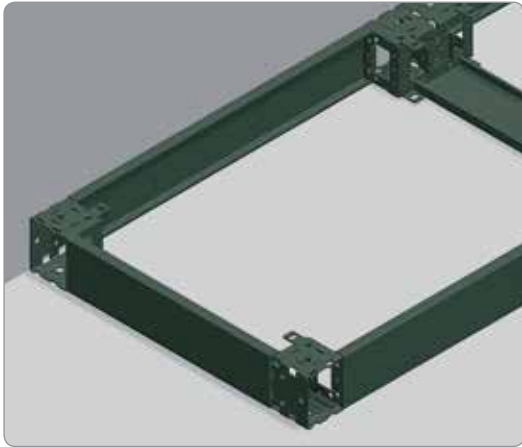
Mounting from the outside of the enclosure. This is the optimum mounting point for achieving assembly rigidity.

The machining angle varies according to the plinth model:

- Plinth height 100 mm (3.9 in.):  $\alpha = 22^\circ$ .
- Plinth height 200 mm (7.9 in.):  $\alpha = 11^\circ$ .

## Accessories

### Floor



- Thanks to the design of the corners, when the enclosure is installed against the wall, it is possible:
  - To rotate the end corner to facilitate removal of the plinth side panels.
  - To access the external mounting point on the floor.

It is also possible to use floor-mounting supports, catalog number **NSYSGF**, to mount the corner, or the panel and the corner, to the floor.

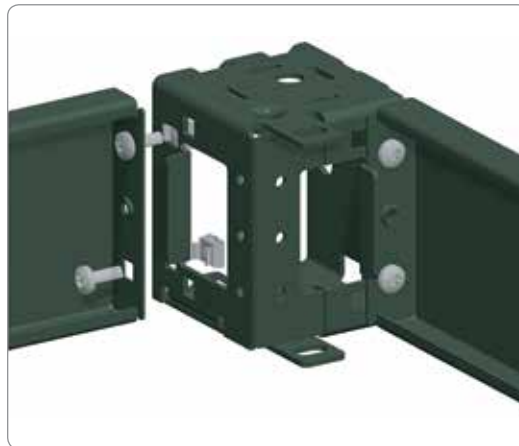
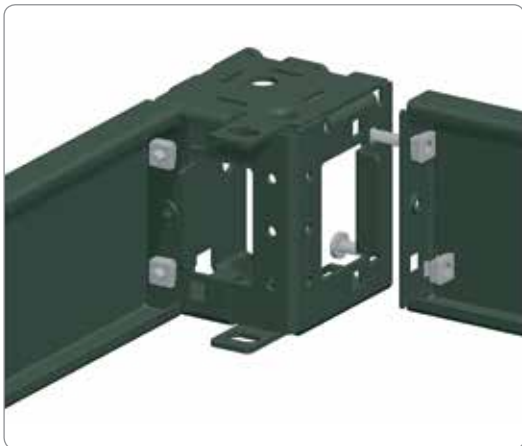
4



### Assembly of the plinth panels

The panels are joined with an M6 screw at the corner, included in the standard side panel supply.

The front and rear panels are delivered mounted to the corners.



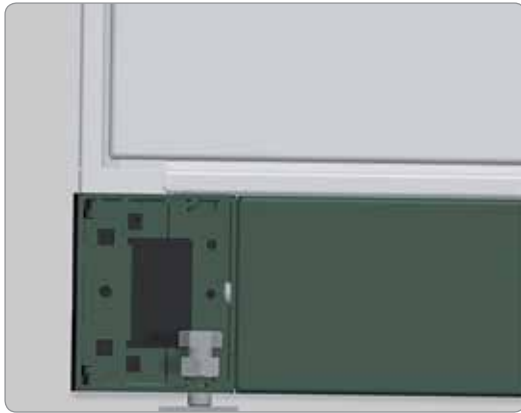
### Mounting options

Mounting points can be added to the panels by installing M6 caged nuts, catalog no. **NSYCN9M625**, at the end of the panels and attaching them to the corner piece with M6 screws, catalog no. **NSYSPM6**.

The plinth can be made tamper-resistant. Install M6 caged nuts, catalog no. **NSYCN9M625**, on the corner and mount the panels from the inside with M6 screws, catalog no. **NSYSPM6**. With this mounting, the panels cannot be removed without accessing the inside of the enclosure.

# Accessories

## Floor



### Levelling the plinth

An M12 screw can be used to level the plinth.

### Examples of solutions





# Accessories

## Floor



### Front plinth

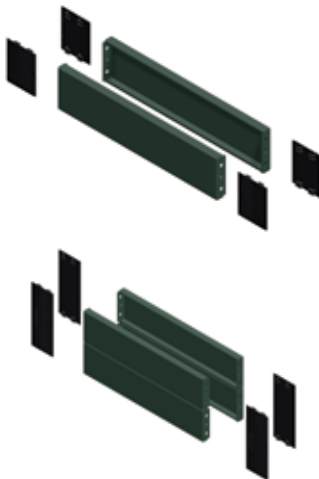
- The front and rear of the plinth consists of 4 corners with 2 or 4 panels.
- Material: folded sheet steel, with corner thickness of 2.5 mm (0.1 in.).
- Finish: painted with epoxy-polyester resin, RAL 7022 gray.
- Degree of protection: IP30 for the complete plinth.
- Resistance to external mechanical impacts: IK10.
- Maximum load: 1300 kg (2866.0 lbs).
- Model heights: 100 and 200 mm (3.9 and 7.9 in.).



Supply:

- **Height 100 mm (3.9 in.):** 4 corners, 2 panels (front and rear), 4 corner covers and mounting hardware.
- **Height 200 mm (7.9 in.):** 4 corners, 4 panels (2 front and 2 rear), 4 corner covers and mounting hardware

Nominal dimensions: mm (in.)	Catalog number	
	100 mm (3.9 in.)	200 mm (7.9 in.)
Width		
300 (11.8)	<b>NSYSPF3100</b>	<b>NSYSPF3200</b>
400 (15.7)	<b>NSYSPF4100</b>	<b>NSYSPF4200</b>
600 (23.6)	<b>NSYSPF6100</b>	<b>NSYSPF6200</b>
800 (31.5)	<b>NSYSPF8100</b>	<b>NSYSPF8200</b>
1000 (39.4)	<b>NSYSPF10100</b>	<b>NSYSPF10200</b>
1200 (47.2)	<b>NSYSPF12100</b>	<b>NSYSPF12200</b>
1600 (63.0)	<b>NSYSPF16100</b>	<b>NSYSPF16200</b>



### Plinth side panels

- The side panels are fixed to the corner of the plinth by 2 mounting screws.
- Material: folded sheet steel.
- Finish: painted with epoxy-polyester resin, RAL 7022 gray.
- Degree of protection: IP30 for the complete plinth.
- Resistance to external mechanical impacts: IK10.
- Model heights: 100 and 200 mm (3.9 and 7.9 in.).



Supply:

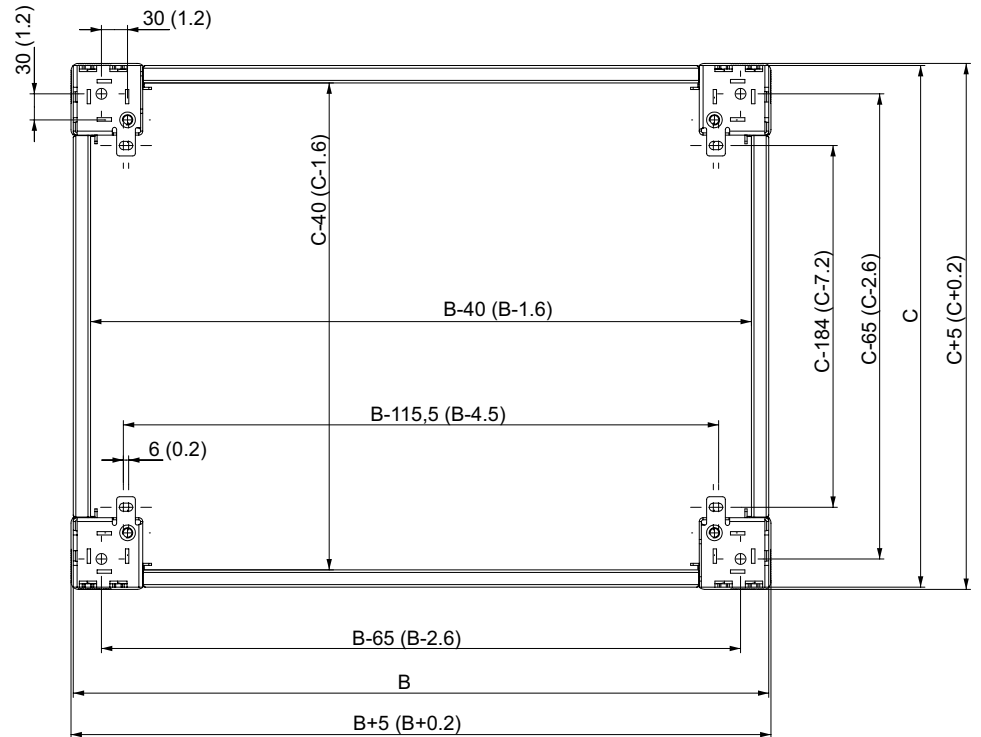
- **Height 100 mm (3.9 in.):** 2 side panels, 4 corner covers and mounting hardware.
- **Height 200 mm (7.9 in.):** 4 side panels (height of 100 mm, 2 for each side), 4 corner covers and mounting hardware.

Nominal dimensions: mm (in.)	Catalog number	
	100 mm (3.9 in.)	200 mm (7.9 in.)
Depth		
300 (11.8)	<b>NSYSPS3100</b>	<b>NSYSPS3200</b>
400 (15.7)	<b>NSYSPS4100</b>	<b>NSYSPS4200</b>
500 (19.7)	<b>NSYSPS5100</b>	<b>NSYSPS5200</b>
600 (23.6)	<b>NSYSPS6100</b>	<b>NSYSPS6200</b>
800 (31.5)	<b>NSYSPS8100</b>	<b>NSYSPS8200</b>

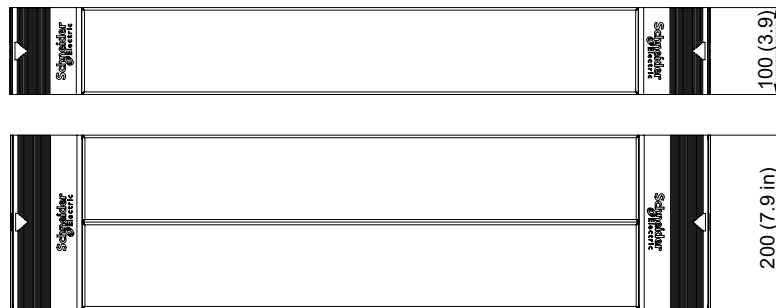
# Accessories

## Floor

### General layout of the plinth




4



### Hardware for internal attachment of the plinth panels

- Optional M6 screws and caged nuts.
- The panels can be made tamper-resistant by installing the caged nut on the outside, and the M6 screw on the inside, of the enclosure. See pages 4/36 to 4/38.
- Available for all types of panels.

Screws and nuts for internal mounting of plinth panels		
Description	Supply (units)	Catalog number
Torx T30 M6 × 10 screws	50	NSYSPM6
M6 caged nuts	100	NSYCN9M625

 Catalog number by unit. Order in multiples of 50 (Torx screws) and 100 (caged nuts).

# Accessories

## Floor



### Ventilated front plinth

- The front and rear of the ventilated plinth is made up of 4 corners with 2 front panels.
- Material: folded sheet steel, with a corner thickness of 2.5 mm (0.1 in.).
- Finish: painted with epoxy-polyester resin, RAL 7022 gray.
- IP20 protection.
- Resistance to external mechanical impacts: IK10.
- Maximum load: 1300 kg (2866.0 lbs).
- Model height 100 mm (3.9 in.).



Supply: height 100 mm (3.9 in.): 4 corners, 2 ventilated panels (front and rear), 4 corner covers and mounting hardware.

Nominal dimensions: mm (in.)	Catalog number
<b>Width (B)</b>	<b>Height 100 mm (3.9 in.)</b>
600 (23.6)	<b>NSYSPFV6100</b>
800 (31.5)	<b>NSYSPFV8100</b>



### Ventilated side panels

- The side panels attach to the corner of the plinth with mounting screws.
- Material: folded sheet steel.
- Finish: painted with epoxy-polyester resin, RAL 7022 gray.
- IP20 protection.
- They can be combined with front plinths with a height of 200 mm (7.9 in.). In this case, 2 sets of ventilated side panels are required.



Supply: height 100 mm (3.9 in.): 2 ventilated side panels, 4 corner covers and mounting hardware.

Nominal dimensions: mm (in.)	Catalog number
<b>Depth (C)</b>	<b>Height 100 mm (3.9 in.)</b>
600 (23.6)	<b>NSYSPV6100</b>
800 (31.5)	<b>NSYSPV8100</b>



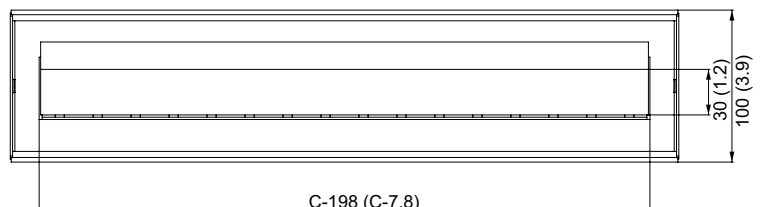
### Panels with brush

- They allow the entry and mounting of cables inside the enclosure, through the plinth.
- Attach to the corners of the plinth with screws.
- Material: folded sheet steel.
- Finish: painted with epoxy-polyester resin, RAL 7022 gray.
- Model heights: 100 mm (3.9 in.).



Supply: 2 panels with brushes, 4 corner covers and mounting hardware.

Nominal dimensions: mm (in.)	Catalog number
<b>Depth (C)</b>	
600 (23.6)	<b>NSYSPB6100</b>
800 (31.5)	<b>NSYSPB8100</b>




# Accessories

## Floor



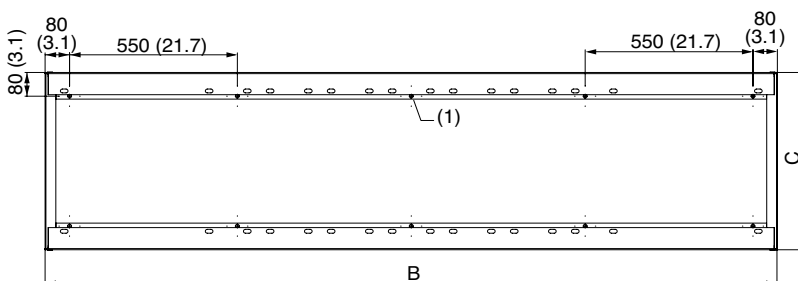
### Plinth for sets

- Designed for the assembly of 2 to 4 **Spacial SF** enclosures, joined on a single plinth.
- Made up of a front and rear plinth set with a 3-mm U-shaped profile and one or two sets of side panels, also with a U-shaped profile.
- Material: folded sheet steel.
- Finish: painted with epoxy-polyester resin, RAL 7022 gray.
- Model heights: 100 and 200 mm (3.9 and 7.9 in.).

-  Supply:
- Front plinth: 2 U-shaped profiles and mounting hardware.
  - Side panels: Height 100 mm (3.9 in.): 2 side panels and mounting hardware.

Nominal dimensions: mm (in.)	Set front plinth catalog number	
Width (B)	100 mm (3.9 in.)	200 mm (7.9 in.)
1600 (63.0)	<b>NSYSPFC16100</b>	<b>NSYSPFC16200</b>
1800 (70.9)	<b>NSYSPFC18100</b>	<b>NSYSPFC18200</b>
2400 (94.5)	<b>NSYSPFC24100</b>	<b>NSYSPFC24200</b>

Nominal dimensions: mm (in.)	Set side panel catalog number	
Depth (C)	100 mm (3.9 in.)	200 mm (7.9 in.)
400 (15.7)	<b>NSYSPC4100</b>	2 × <b>NSYSPC4100</b>
500 (19.7)	<b>NSYSPC5100</b>	2 × <b>NSYSPC5100</b>
600 (23.6)	<b>NSYSPC6100</b>	2 × <b>NSYSPC6100</b>
800 (31.5)	<b>NSYSPC8100</b>	2 × <b>NSYSPC8100</b>



(1) Only for version with width of 2400 mm (94.5 in.).


# Accessories

## Floor



### Mounting to the floor

- Piece for mounting the plinth to the floor for applications where the plinth drill holes cannot be used.
- Material: zinc-coated steel.
- Thickness: 4 mm (0.2 in.).
- M12 mounting point.

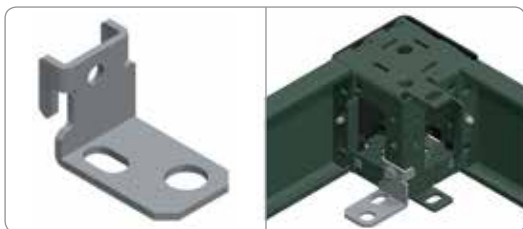
 Supply: 4 pieces, mounting hardware not supplied.

**Catalog number**

**NSYSGF**




4



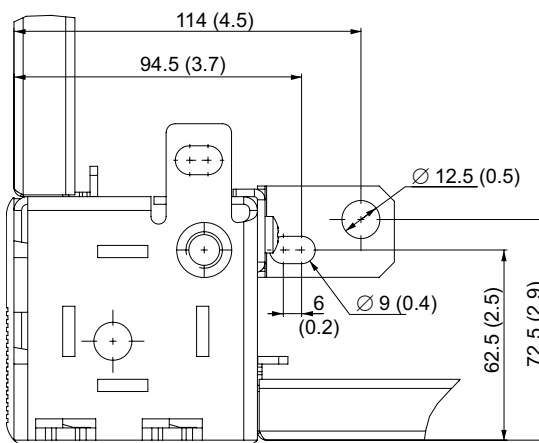
### Mounting to the floor by mounting points of previous versions (OLN/CMO or Spacial 6000 and 18500)

- Pieces that reproduce the floor-mounting points of the previous plinth.
- Material: zinc-coated steel.
- Thickness: 4 mm (0.2 in.).
- M12 mounting point.

 Supply: 4 pieces, mounting hardware not supplied.

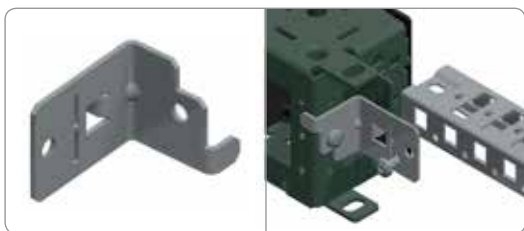
**Catalog number**

**NSYOL6GF**



# Accessories

## Floor



### Plinth cross-rail support

- Support for installing a cross rail inside the plinth.
- Material: zinc-coated steel.
- Thickness: 2 mm (0.01 in.).
- Attaches at the corner, 100 and 200 mm (3.9 and 7.9 in.), height adjustment with a pitch of 25 mm (1.0 in.).



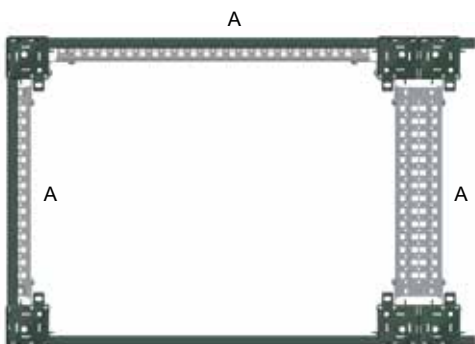
Supply: 12 pieces and mounting hardware.



Catalog number by unit. Order in multiples of 12 (12, 24, 36...).

**Catalog number**

**NSYSPCR**



Plinth cross rails mounted in position A.

### Plinth cross rails

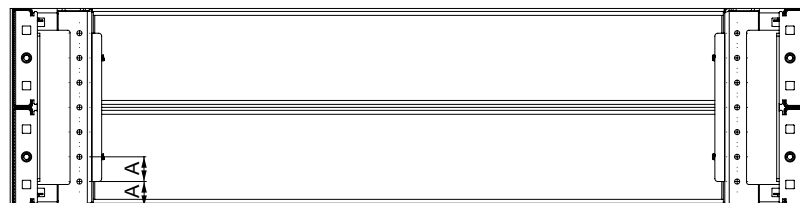
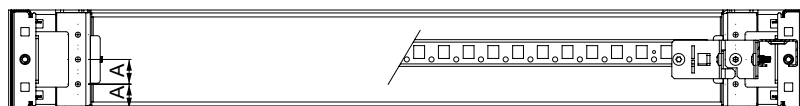
- They are mounted across the width and/or depth between the corners of the plinth.
- The plinth cross-rail supports are required for assembly, catalog no. **NSYSPCR**.
- Material: zinc-coated steel.
- The cross rail depth can be adjusted for mounting cables or other equipment.



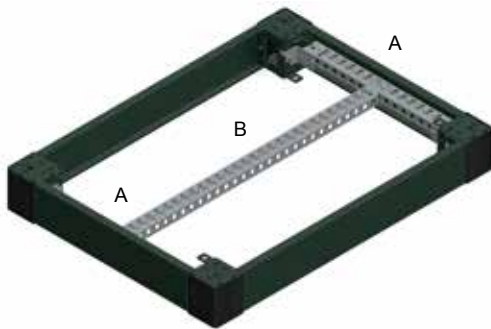
Supply: 2 cross rails and mounting hardware.

### Plinth cross rails for mounting in position A

Plinth cross rails		
Nominal width/depth: mm (in.)	Cross rails 1 row (40)	Cross rails 3 rows (90)
400 (15.7)	<b>NSYSUCR4030</b>	<b>NSYSUCR9030</b>
500 (19.7)	<b>NSYSUCR4040</b>	<b>NSYSUCR9040</b>
600 (23.6)	<b>NSYSUCR4050</b>	<b>NSYSUCR9050</b>
800 (31.5)	<b>NSYSUCR4070</b>	<b>NSYSUCR9070</b>
1000 (39.4)	<b>NSYSUCR4090</b>	<b>NSYSUCR9090</b>
1200 (47.2)	<b>NSYSUCR40110</b>	<b>NSYSUCR90110</b>
1600 (63.0)	<b>NSYSUCR40150</b>	<b>NSYSUCR90150</b>



A = 25 (1.0)



Plinth cross rail mounted in position B.  
This configuration requires 2 cross rails to be mounted  
in position A.

### Plinth cross rails for mounting in position B

- They attach to the plinth cross rails, both the universal and the quick-mounting types.
- Their depth is adjustable with a pitch of 25 mm (1.0 in.).
- See universal and quick-mounting cross rail catalog numbers, pages 8/35 to 8/37.



Example of mounting **Spacial SF**


# Accessories

## Floor



### Floor Stand Kit

- Set of 2 legs, for elevation of floor-standing enclosures.
- Compatible with Spacial SF and SM.
- Mounting holes that match the holes of the existing structure. No need for drilling in Spacial SF.
- Made of steel: thickness 2.5 mm (0.09 in.) for sides and 3 mm (0.11 in.) for the base.
- Coating RAL 7035 gray polyester powder finish.
- Maximum load 1300 kg (2866.0 lbs).

 Supply: 2 platform legs (right and left) and mounting hardware.



Enclosure depth		Legs height		Catalog number
mm	inches	mm	inches	
300	11.8	300	11.8	<b>NSYFSK33</b>
400	15.7	300	11.8	<b>NSYFSK43</b>
500	19.7	300	11.8	<b>NSYFSK53</b>
600	23.6	300	11.8	<b>NSYFSK63</b>
800	31.5	300	11.8	<b>NSYFSK83</b>
300	11.8	450	17.7	<b>NSYFSK34</b>
400	15.7	450	17.7	<b>NSYFSK44</b>
500	19.7	450	17.7	<b>NSYFSK54</b>
400	15.7	600	23.6	<b>NSYFSK46</b>





# Accessories

## Cable entry




Nominal SF dimensions: mm (in.)		Catalog number		
Width (B)	Depth (C)	Plain	With 1 entry	With 2 entries
300 (11.8)	500 (19.7)	NSYEC35	NSYEC351	-
300 (11.8)	600 (23.6)	NSYEC36	NSYEC361	-
400 (15.7)	400 (15.7)	NSYEC44	NSYEC441	-
400 (15.7)	500 (19.7)	NSYEC45	NSYEC451	-
400 (15.7)	600 (23.6)	NSYEC46	NSYEC461	-
400 (15.7)	800 (31.5)	NSYEC48	NSYEC481	-
600 (23.6)	400 (15.7)	NSYEC64	NSYEC641	-
600 (23.6)	500 (19.7)	NSYEC65	NSYEC651	-
600 (23.6)	600 (23.6)	NSYEC66	NSYEC661	NSYEC662
600 (23.6)	800 (31.5)	NSYEC68	NSYEC681	NSYEC682
800 (31.5)	400 (15.7)	NSYEC84	NSYEC841	-
800 (31.5)	500 (19.7)	NSYEC85	NSYEC851	-
800 (31.5)	600 (23.6)	NSYEC86	NSYEC861	NSYEC862
800 (31.5)	800 (31.5)	NSYEC88	NSYEC881	NSYEC882
1000 (39.4)	400 (15.7)	NSYEC104	NSYEC1041	-
1000 (39.4)	500 (19.7)	NSYEC105	NSYEC1051	-
1000 (39.4)	600 (23.6)	NSYEC106	NSYEC1061	NSYEC1062
1000 (39.4)	800 (31.5)	NSYEC108	NSYEC1081	NSYEC1082
1200 (47.2)	400 (15.7)	NSYEC124	NSYEC1241	-
1200 (47.2)	500 (19.7)	NSYEC125	NSYEC1251	-
1200 (47.2)	600 (23.6)	NSYEC126	NSYEC1261	NSYEC1262
1200 (47.2)	800 (31.5)	NSYEC128	NSYEC1281	NSYEC1282
1600 (63.0)	400 (15.7)	NSYEC164	NSYEC1641	-
1600 (63.0)	500 (19.7)	NSYEC165	NSYEC1651	-
1600 (63.0)	600 (23.6)	NSYEC166	NSYEC1661	NSYEC1662



### Brush-type cable-entry gasket

- For plates with 1 or 2 cable entries. The cables can have different diameters.
- Helps ensure good protection against dust.
- Quick and effective installation. Clips onto the sheet.
- Width of the brush-type gasket: 25 mm (1.0 in.).



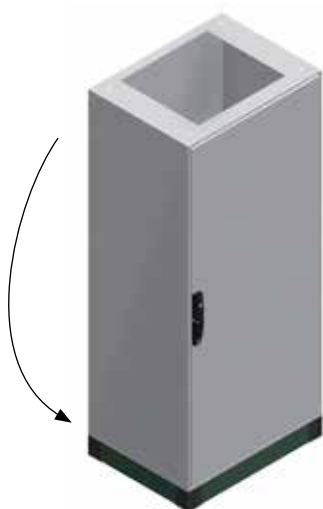
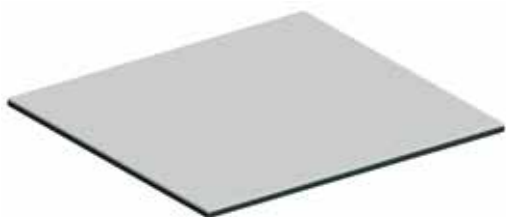
 Supply: 2 brush-type gaskets.

Spacial SF width: mm (in.)	Catalog number
300 (11.8)	NSYBCE3
400 (15.7)	NSYBCE4
600 (23.6)	NSYBCE6
800 (31.5)	NSYBCE8
1000 (39.4)	NSYBCE10
1200 (47.2)	NSYBCE12
1600 (63.0)	NSYBCE16

# Accessories

## Cable entry

4




Enclosure rotated 180°.

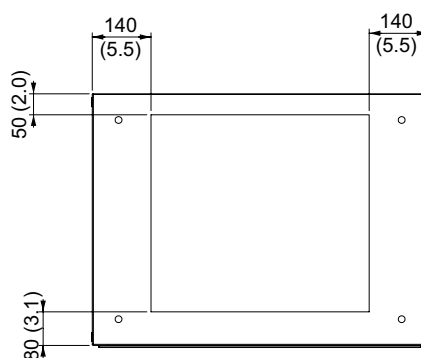


### Plain cable-gland plate

- Plain cable-gland plates for compact enclosures.
- Mounting from the outside in:
  - Enclosures with the cable entry at the top (enclosures rotated 180°). Compatible with the plinth.
  - Enclosures with cut-out roof.
- Mounting from the inside on the base of the enclosure.
- Material: steel.
- Finish: painted with epoxy-polyester resin, RAL 7035 gray.

 Supply: 1 plain plate and mounting hardware.

Spacial SM Dimensions: mm (in.)		Catalog number
Width	Depth	
600 (23.6)	300 (11.8)	<b>NSYSMEC63</b>
600 (23.6)	400 (15.7)	<b>NSYSMEC64</b>
600 (23.6)	500 (19.7)	<b>NSYSMEC65</b>
600 (23.6)	600 (23.6)	<b>NSYSMEC66</b>
800 (31.5)	300 (11.8)	<b>NSYSMEC83</b>
800 (31.5)	400 (15.7)	<b>NSYSMEC84</b>
800 (31.5)	500 (19.7)	<b>NSYSMEC85</b>
800 (31.5)	600 (23.6)	<b>NSYSMEC86</b>
1000 (39.4)	300 (11.8)	<b>NSYSMEC103</b>
1000 (39.4)	400 (15.7)	<b>NSYSMEC104</b>
1000 (39.4)	500 (19.7)	<b>NSYSMEC105</b>
1200 (47.2)	300 (11.8)	2 × <b>NSYSMEC63</b>
1200 (47.2)	400 (15.7)	2 × <b>NSYSMEC64</b>
1200 (47.2)	500 (19.7)	2 × <b>NSYSMEC65</b>
1200 (47.2)	600 (23.6)	2 × <b>NSYSMEC66</b>
1600 (63.0)	500 (19.7)	2 × <b>NSYSMEC85</b>
1600 (63.0)	600 (23.6)	2 × <b>NSYSMEC86</b>



Dimensions of the cut-out to be made in the roof if the enclosure is not rotated 180°.

# Accessories

## Cable entry



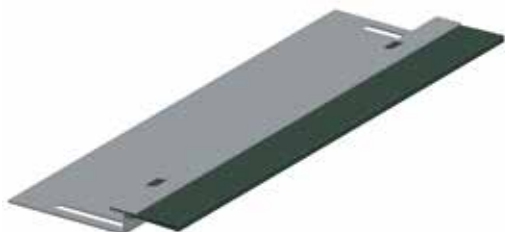
### Brush-type cable-entry gasket

- Brush-type gasket for installation on the cable-gland plates. The cables can have different diameters.
- Helps ensure good protection against dust.
- Quick and effective installation. Clips onto the sheet.
- Width of the brush gasket: 34 mm (1.3 in.).



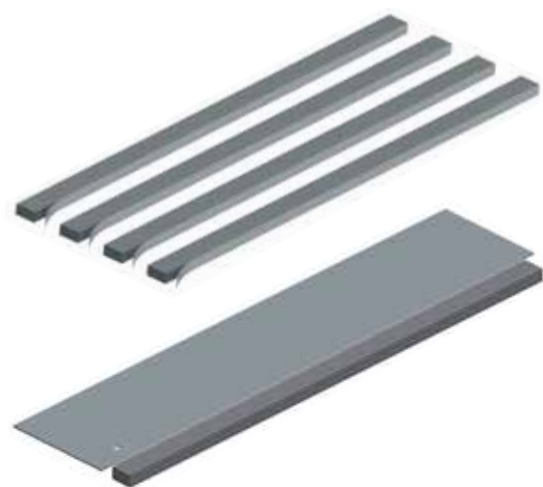
Supply: 2 brush-type gaskets.

Spacial SM width: mm (in.)	Catalog number
600 (23.6)	<b>NSYSMBCE6</b>
800 (31.5)	<b>NSYSMBCE8</b>
1000 (39.4)	<b>NSYSMBCE10</b>
1200 (47.2)	2 × <b>NSYSMBCE6</b>
1600 (63.0)	2 × <b>NSYSMBCE8</b>



## Accessories

### Cable entry



#### Foam cable-entry gasket

- Spare gasket, made from self-extinguishing expanded polyurethane with a cross-section of 15 × 25 mm (0.6 × 1.0 in.), for mounting on cable-gland plates.
- Adhesive to maintain good sealing.



Supply: 4 strips with a length of 1 m (39.4 in.).

Catalog number

NSYCEJ


# Accessories

## Cable entry

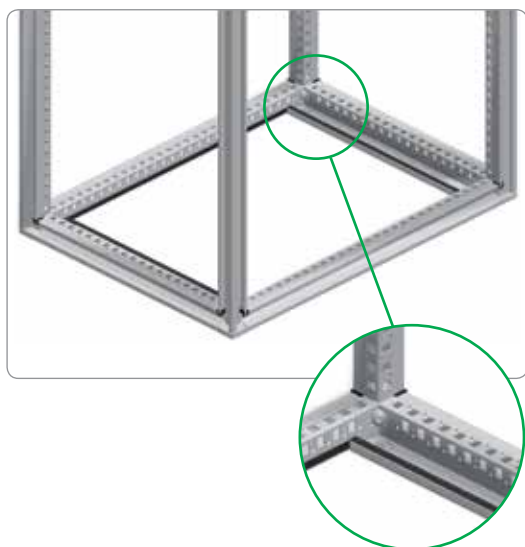


### Sealing gasket

- Sealing gasket, made from ethylene-propylene with a cross-section of 3 × 10 mm (0.1 × 0.4 in.), for mounting on the perimeter of the cable-gland plates.
- Adhesive to help ensure good sealing.


 Supply: 5.8 m (19.0 ft) spiral gasket.

**Catalog number**  
**NSYCEK**



### Cable-gland plate for connectors

- For use with plates with 1 or 2 cable entries, adding or replacing one of the parts.
- The system allows the simultaneous installation of various connector-entry plates.
- Material: galvanized steel.
- Thickness: 1.5 mm (0.06 in.).

 Supply: 1 plate and mounting hardware.



Spacial SF width: mm (in.)	Number of cuts	Catalog number
600 (23.6)	2	<b>NSYDCE6</b>
800 (31.5)	3	<b>NSYDCE8</b>
1000 (39.4)	4	<b>NSYDCE10</b>
1200 (47.2)	4	<b>NSYDCE12</b>

# Accessories

## Lifting systems

4




**> Advantage:**

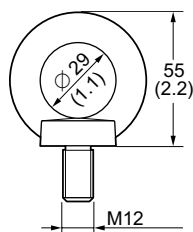
Eyebolts screwed directly into the vertical axis of the upright enhance robustness during transport.

### Eyebolts

- Set of M12 lifting eyebolts, which screw directly into the enclosure structure, on the vertical axis of the uprights.
- Material: galvanized cast steel.
- Maximum load: 340 kg (749.6 lbs) per eyebolt.


 Supply: 4 eyebolts.

**Catalog number**  
NSYSFEB

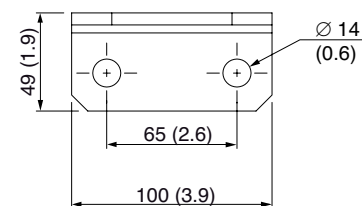
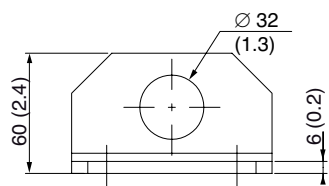


### Lifting brackets

- Set of lifting and transport brackets, attached to the structure between two joined enclosures, on the vertical axis of the uprights.
- Material: zinc-coated steel.
- Maximum load: see lifting and transport instructions, page 4/55.

 Supply: 4 brackets and mounting hardware (M12 screws).

**Catalog number**  
NSYSFELB




# Accessories

## Lifting systems

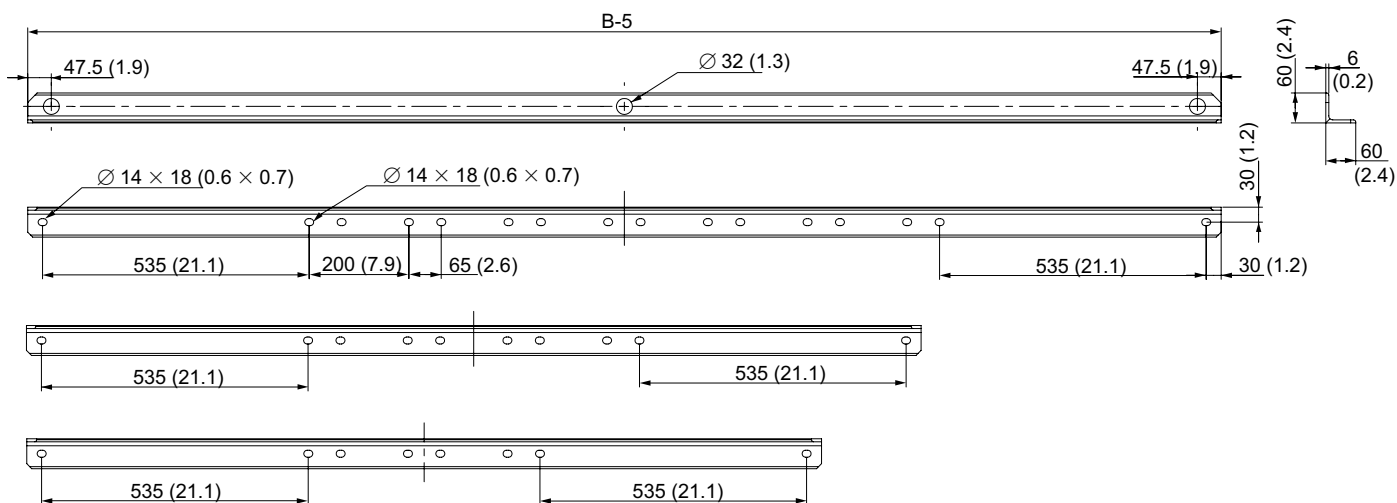


### Lifting bar

- Set of bars for lifting and transporting enclosure modules. They attach to the enclosure structure, in the axis of the uprights.
- Material: zinc-coated steel.
- Maximum load: see lifting and transport instructions.

 Supply: 2 lifting bars and mounting hardware (M12 screws).

Length: mm (in.) (B)	Catalog number
1600 (63.0)	<b>NSYSFTB16</b>
1800 (70.9)	<b>NSYSFTB18</b>
2400 (94.5)	<b>NSYSFTB24</b>



### Lifting and transport instructions

Angle	Eyebolts				Lifting brackets		
	$P \leq$ kg (lbs)	$P \leq$ kg (lbs)	$P \leq$ kg (lbs)	$P \leq$ kg (lbs)	$P \leq$ kg (lbs)	$P \leq$ kg (lbs)	$P \leq$ kg (lbs)
45°	1160 (2557.4)	580 (1278.7)	-	1100 (2425.1)	2800 (6172.9)	-	-
60°	830 (1829.8)	415 (914.9)	-	-	2800 (6172.9)	-	1100 (2425.1)
90°	480 (1058.2)	240 (529.1)	1360 (2998.3)	-	1100 (2425.1)	3000 (6613.9)	-
120°	257 (566.6)	-	-	-	-	-	-

*Note: X ≤ 75 mm (3.0 in.)*



# Accessories

## Lifting systems



### Eyebolts

- Set of M12 lifting eyebolts, attached to the enclosure with mounting nuts.
- Material: galvanized cast steel.
- Maximum load: 340 kg (749.6 lbs) per eyebolt with the sling at 60°.

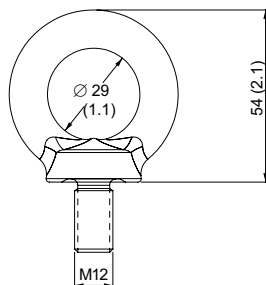
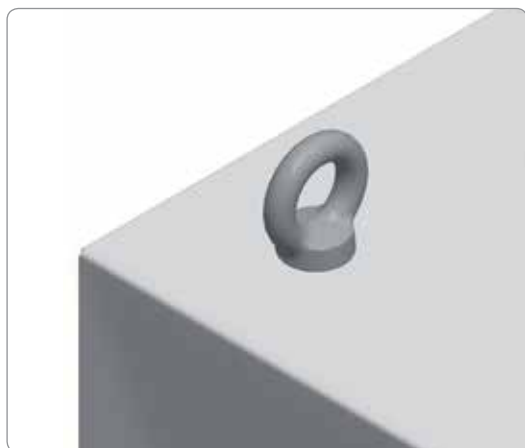


Supply: 4 eyebolts and 4 mounting nuts.

Catalog number

**NSYSMEB**

4




# Accessories

## Roof

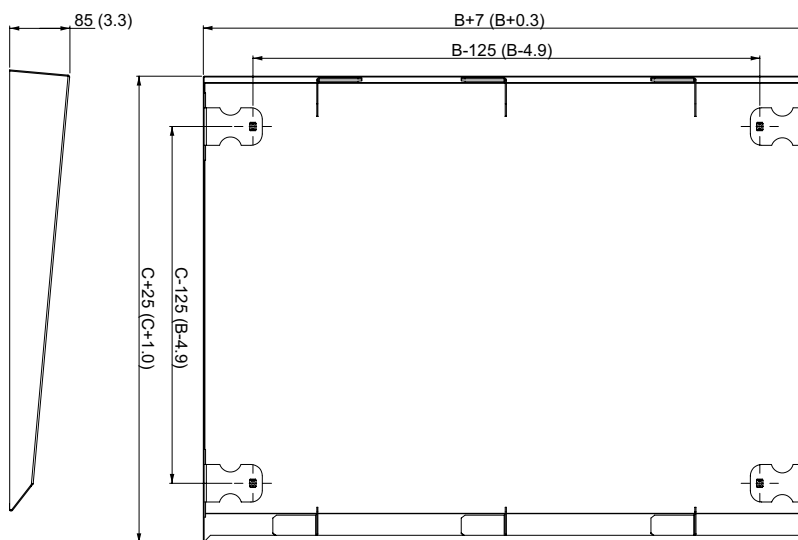


### Canopy

- Helps protect against splashes from rainwater.
- Highly recommended for outdoor applications.
- **Spacial SF**: mounting holes must be drilled in the roof of the enclosure.
- **Spacial SM**: mounting holes are pre-drilled in the roof.
- Material: galvanized steel.
- Finish: painted with polyester-epoxy resin, RAL 7035 gray.
- Cannot be combined with lifting accessories.
- **Spacial SF**: a single canopy for combinations of enclosure modules (one 1600 mm [63.0 in] canopy for two joined 800-mm [31.5 in] enclosures).

 Supply: one canopy, drilling template and mounting hardware.

Nominal dimensions: mm (in.)		Catalog number
Width (B)	Depth (C)	
600 (23.6)	300 (11.8)	NSYSC630
	400 (15.7)	NSYSC640
	500 (19.7)	NSYSC650
	600 (23.6)	NSYSC660
800 (31.5)	300 (11.8)	NSYSC830
	400 (15.7)	NSYSC840
	500 (19.7)	NSYSC850
	600 (23.6)	NSYSC860
1000 (39.4)	300 (11.8)	NSYSC1030
	400 (15.7)	NSYSC1040
	500 (19.7)	NSYSC1050
	600 (23.6)	NSYSC1060
1200 (47.2)	300 (11.8)	NSYSC1230
	400 (15.7)	NSYSC1240
	500 (19.7)	NSYSC1250
	600 (23.6)	NSYSC1260
1600 (63.0)	400 (15.7)	NSYSC1640
	500 (19.7)	NSYSC1650
	600 (23.6)	NSYSC1660
1800 (70.9)	500 (19.7)	NSYSC1850
	600 (23.6)	NSYSC1860
2000 (78.7)	500 (19.7)	NSYSC2050
	600 (23.6)	NSYSC2060
2400 (94.5)	500 (19.7)	NSYSC2450
	600 (23.6)	NSYSC2460



# Accessories

## Roof

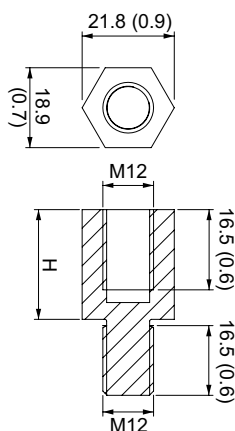


### Ventilation elevators for roof

- Ventilation elevators allow the roof to be raised, providing natural ventilation.
- The ventilation elevators screw onto the structure, at the roof attachment points.
- Material: zinc-coated steel.

Supply: 4 elevators.

Roof height (H): mm (in.)	IP	Catalog number
23 (0.9)	20	<b>NSYRE26</b>
60 (2.4)	10	<b>NSYRE60</b>



4

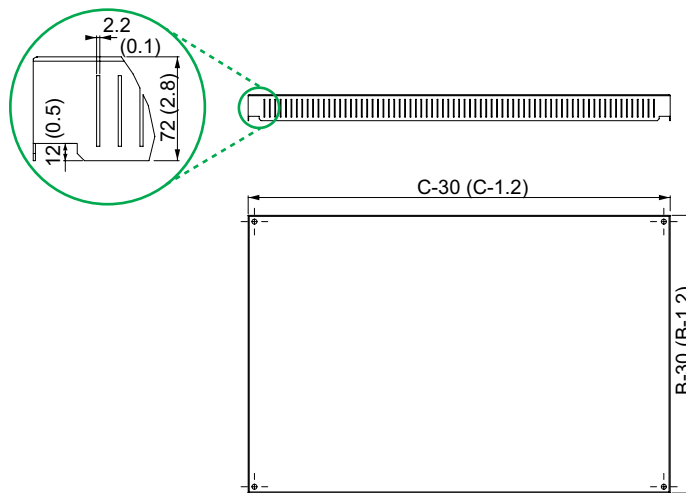


### Ventilated roof

- Roof providing natural ventilation for the enclosure, with IP30 protection.
- Material: steel.
- Height: adds an extra 63 mm (2.5 in.) to the structure.
- Finish: painted with polyester-epoxy resin, RAL 7035 gray.

Supply: one ventilated roof and four elevators.

Nominal dimensions: mm (in.)		Catalog number
Width (B)	Depth (C)	
600 (23.6)	600 (23.6)	<b>NSYSVR606</b>
	800 (31.5)	<b>NSYSVR608</b>
800 (31.5)	600 (23.6)	<b>NSYSVR806</b>
	800 (31.5)	<b>NSYSVR808</b>



# Accessories

## Roof



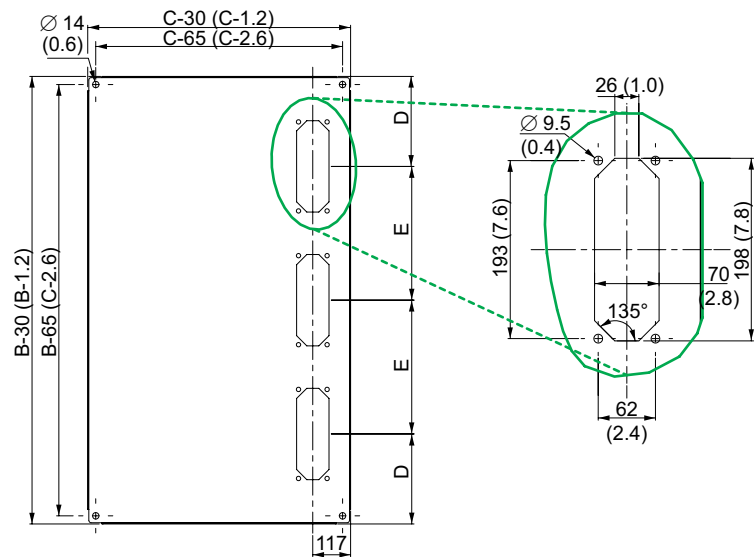
### FL21 cable-entry roof

- Roof prepared for installing FL21 cable-entry plates.
- Material: steel.
- Finish: painted with epoxy-polyester resin, RAL 7035 gray.



Supply: one cut-out roof for the FL21 cable-entry plates.

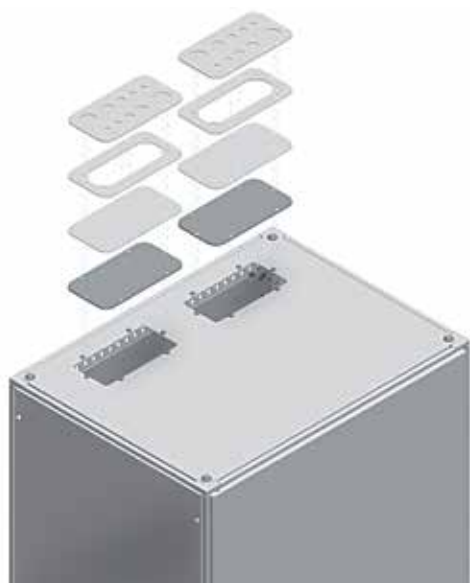
Nominal dimensions: mm (in.)		Center-to-center distance: mm (in.)		No. of entries	Catalog number
Width (B)	Depth (C)	D	E		
600 (23.6)	500 (19.7)	285 (11.2)	-	1	<b>NSYSFLR65</b>
	600 (23.6)				<b>NSYSFLR66</b>
800 (31.5)	500 (19.7)	195 (7.7)	-	2	<b>NSYSFLR85</b>
	600 (23.6)				<b>NSYSFLR86</b>
1000 (39.4)	500 (19.7)	195 (7.7)	290 (11.4)	3	<b>NSYSFLR105</b>
	600 (23.6)				<b>NSYSFLR106</b>



# Accessories


## Roof

4

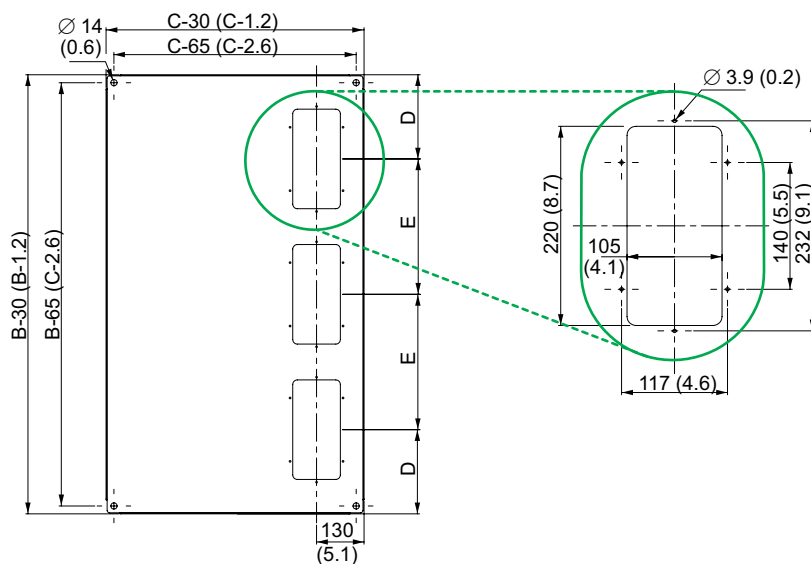


### Cable-entry roof

- Roof prepared for installing cable-entry plates.
- Material: steel.
- Finish: painted with epoxy-polyester resin, RAL 7035 gray.


 Supply: one cut-out roof for the cable-entry plates.

Nominal dimensions: mm (in.)		Center-to-center distance: mm (in.)		No. of entries	Catalog number
Width (B)	Depth (C)	D	E		
600 (23.6)	500 (19.7)	285 (11.2)	-	1	NSYSRCE650
	600 (23.6)				NSYSRCE660
800 (31.5)	500 (19.7)	220 (8.7)	-	2	NSYSRCE850
	600 (23.6)				NSYSRCE860
1000 (39.4)	500 (19.7)	200 (7.9)	285 (11.2)	3	NSYSRCE1050
	600 (23.6)				NSYSRCE1060

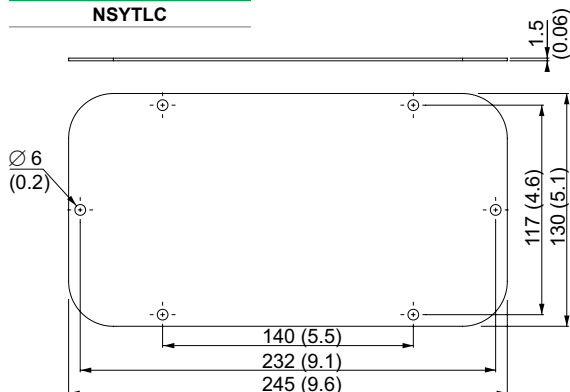


### Standard cable-entry plate

- Plate with grid patterned surface with a pitch of 25 mm (1.0 in.) to facilitate perforation. Mounting with screws.
- Material: steel.
- Finish: painted with epoxy-polyester resin, RAL 7035 gray.

 Supply: one standard cable-entry plate and mounting hardware.

**Catalog number**  
NSYTLC



# Accessories

## Roof



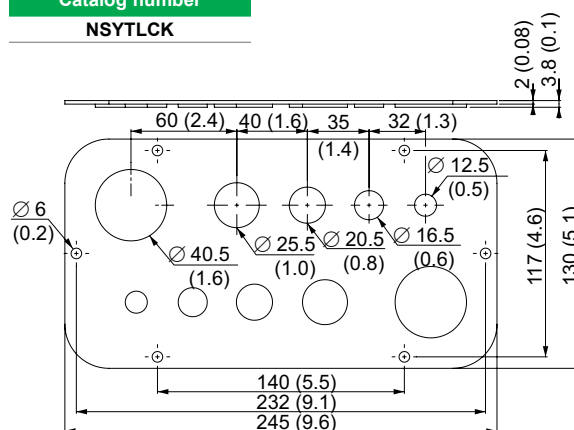
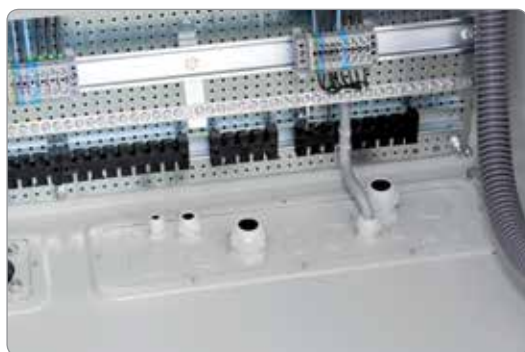
### Pre-cut cable-entry plate

- Plate with pre-cut holes of different diameters. Mounting with screws.
- Pre-cuts:
  - 2 × Ø 12.5 mm (0.5 in.).
  - 2 × Ø 16.5 mm (0.6 in.).
  - 2 × Ø 20.5 mm (0.8 in.).
  - 2 × Ø 25.5 mm (1.0 in.).
  - 2 × Ø 40.5 mm (1.6 in.).
- Material: steel.
- Finish: painted with epoxy-polyester resin, RAL 7035 gray.



Supply: one pre-cut cable-entry plate and mounting hardware.

**Catalog number**  
NSYTLCK



4



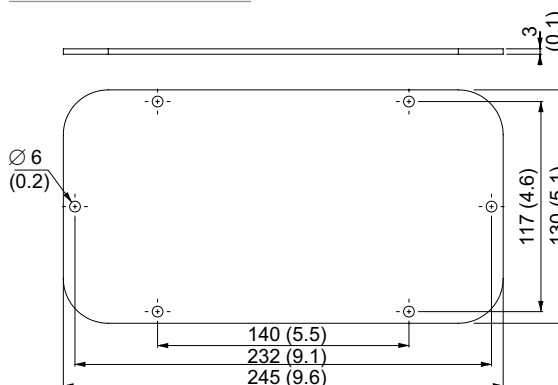
### Aluminum cable-entry plate

- Plain cable-entry plate. Mounting with screws.
- Material: brushed aluminum.
- Thickness: 3 mm (0.1 in.).



Supply: one aluminum cable-entry plate and mounting hardware.

**Catalog number**  
NSYTLCU



# Accessories

## Roof

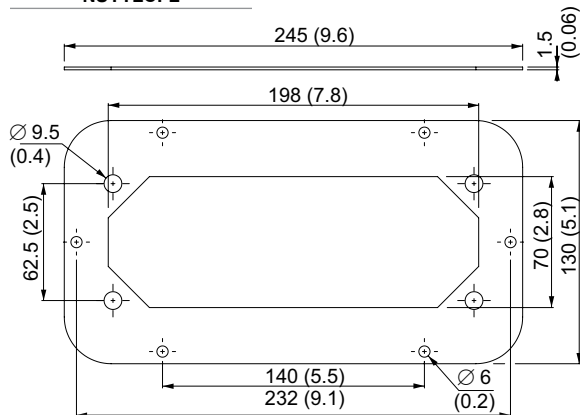


### Adapter for FL21 cable-entry plate

- Cut-out adapter for FL21 cable-entry plates. Mounting with screws.
- Material: steel.
- Finish: painted with epoxy-polyester resin, RAL 7035 gray.

Supply: one FL21 cable-entry plate and mounting hardware.

**Catalog number**  
NSYTLCFL



### FL21 cable-entry membranes

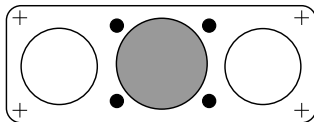
- Membrane plate for watertight IP65 cable entries made from insulating material (fire-resistance level UL94-V0).
- Direct installation in the FL21 cable-entry plate adapter.
- 4 models: plain plate and membrane plates from 7 to 35 cable entries.
- Degree of protection: IP65.
- Material: gray plastic.

Supply: membrane plate and mounting hardware.

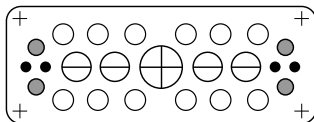


No. of cable entries	Catalog number
Plain	NSYAECFLBP
7	NSYAECFLT7
25	NSYAECFLT25
35	NSYAECFLT35

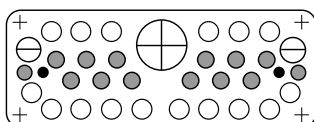
### Characteristics of the membranes



NSYAECFLT7



NSYAECFLT25



NSYAECFLT35

Membrane symbol	For cable Ø: mm (in.)	Number	IP	Alternate Ø: mm (in.) (1)
●	8 (0.3)-16 (0.6)	4	65	-
○	24 (0.9)-54 (2.1)	2	65	-
●	30 (1.2)-60 (2.4)	1	65	-

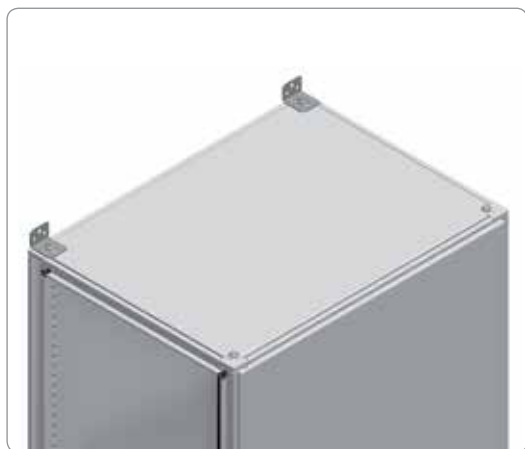
Membrane symbol	For cable Ø: mm (in.)	Number	IP	Alternate Ø: mm (in.) (1)
●	5 (0.2)-7 (0.3)	4	65	-
●	6 (0.2)-12 (0.5)	1	65	-
○	10 (0.4)-14 (0.6)	12	65	-
⊖	14 (0.6)-20 (0.8)	4	65	8 (0.3)-12 (0.5)
⊕	20 (0.8)-26 (1.0)	1	65	8 (0.3)-12 (0.5)

Membrane symbol	For cable Ø: mm (in.)	Number	IP	Alternate Ø: mm (in.) (1)
●	6 (0.2)-10 (0.4)	2	65	-
●	8 (0.3)-12 (0.5)	14	65	-
○	10 (0.4)-14 (0.6)	16	65	-
⊖	12 (0.5)-18 (0.7)	2	65	-
⊕	17 (0.7)-32 (1.3)	1	65	-

(1) IP54 protection in this use.


# Accessories

## Wall-mounting



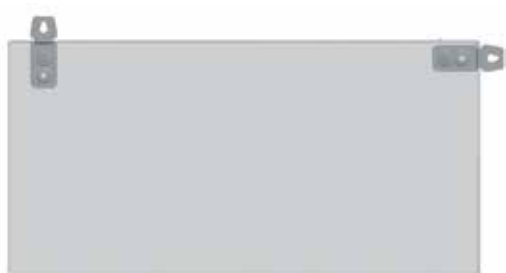
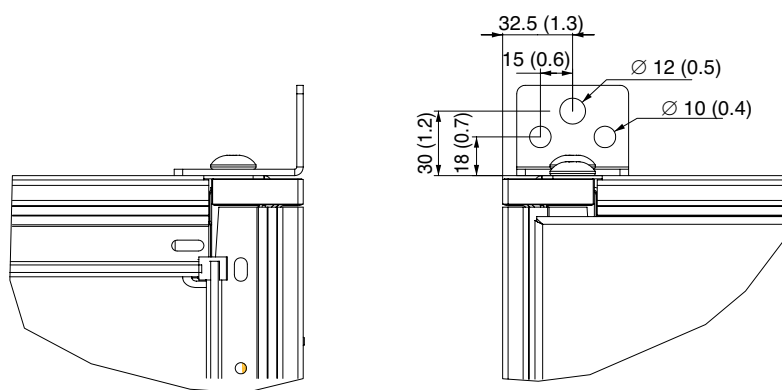
### Wall-mounting supports for Spacial SF

- Supports for mounting the enclosure on the wall to help prevent it from tipping over.
- The supports cannot be used for hanging the enclosure.
- They are installed using the roof mounting screws.
- Material: zinc-coated steel.

 Supply: 2 supports.


**Catalog number**

**NSYSFWFIX**



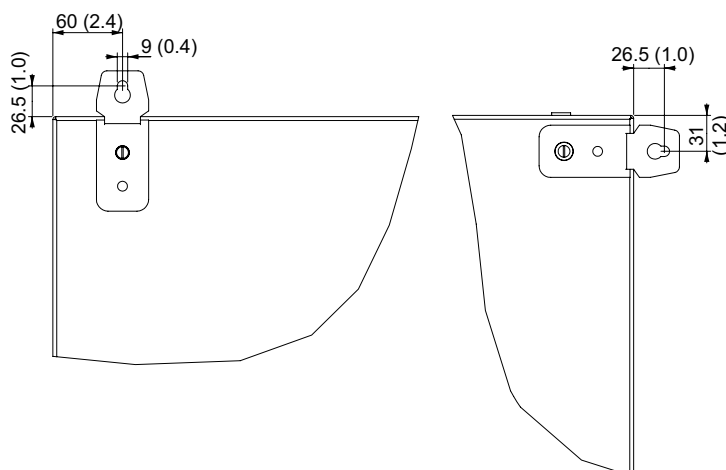
### Wall-mounting supports for Spacial SM

- Supports for mounting the enclosure on the wall to help prevent it from tipping over.
- The supports are installed through the drill holes in the back of the enclosure.
- The enclosure is mounted from the outside.
- Material: steel.
- Finish: zinc-coated.

 Supply: 2 supports.

**Catalog number**

**NSYSMWFIX**





# Accessories

## Doors and door accessories



### Inner door

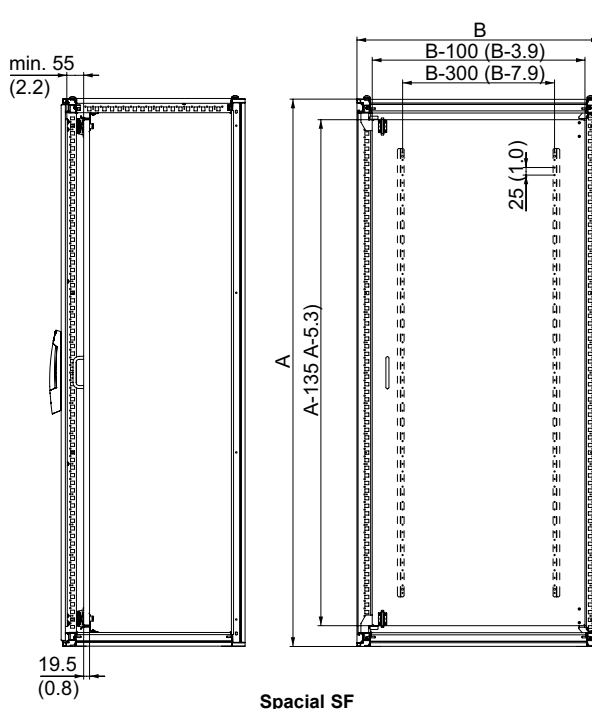
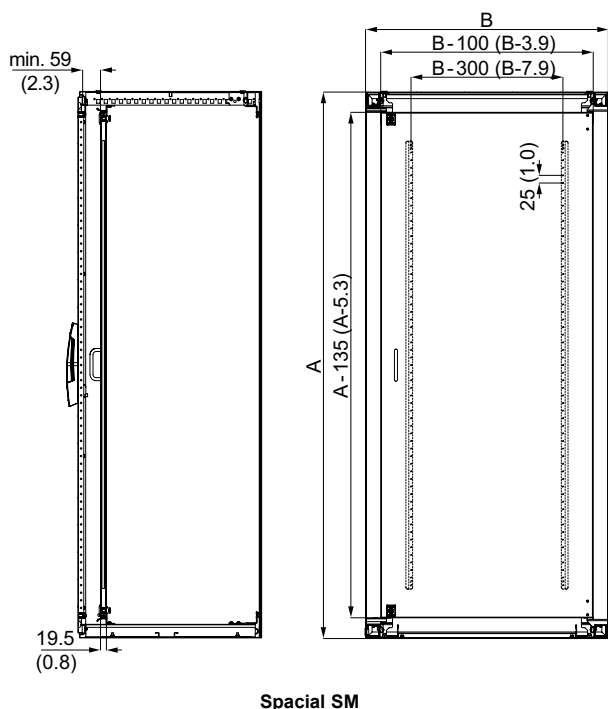
- Door for additional protection. Helps prevent the switchgear from being manipulated by unauthorized personnel.
- Allows switchgear to be mounted directly on the door.
- Door mounts on the top and bottom frame of the enclosure.
- The depth of the door is adjustable with a pitch of 25 mm (1.0 in.), from the first mounting point.
- Opening to right or left, with two locks, 3-mm (0.1 in.) double-bar, with central handle.
- Reinforcement frames on the rear, cut-outs with a 25-mm (1.0 in.) pitch, for equipping the door.
- Material: steel.
- Finish: painted with epoxy-polyester resin, RAL 7035 gray.
- Maximum acceptable load: 15 kg (33.1 lbs).



Supply: one inner door and mounting hardware.

Nominal dimensions: mm (in.)		Catalog number
Height (A)	Width (B)	
1600 (63.0)	600 (23.6)	<b>NSYID166</b>
	800 (31.5)	<b>NSYID168</b>
1800 (70.9)	600 (23.6)	<b>NSYID186</b>
	800 (31.5)	<b>NSYID188</b>
	1000 (39.4)	<b>NSYID1810</b>
2000 (78.7)	600 (23.6)	<b>NSYID206</b>
	800 (31.5)	<b>NSYID208</b>
	1000 (39.4)	<b>NSYID2010</b>
2200 (86.6)	600 (23.6)	<b>NSYID226</b>
	800 (31.5)	<b>NSYID228</b>

4



# Accessories

## Doors and door accessories



**> Advantage:**

The side door is the same as the front door when the width and depth dimensions are the same.

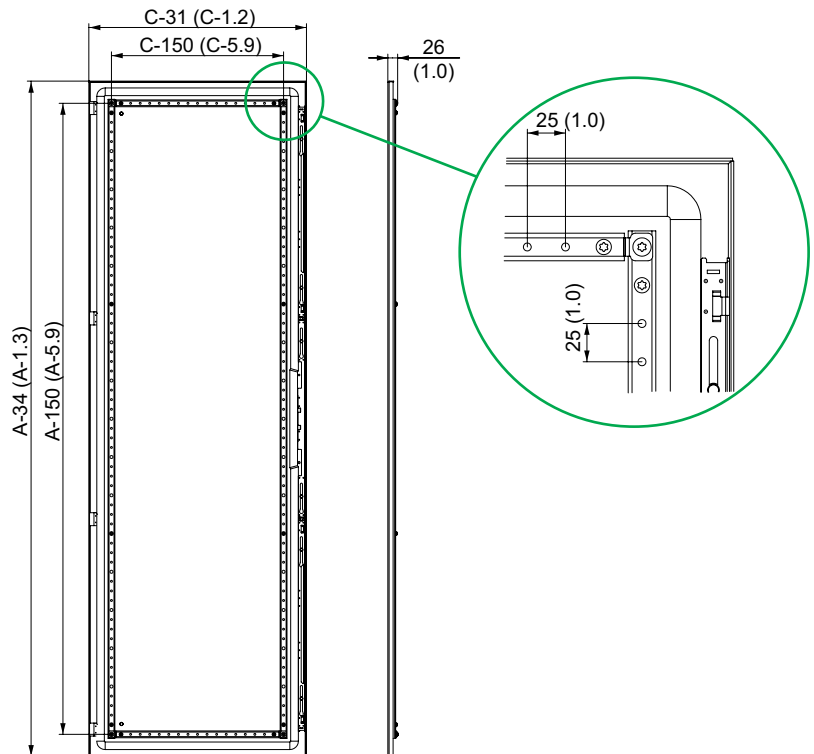
### Side door

- Door for the side of the enclosure, replaces the side panel.
- Installation directly on the enclosure structure, opening to 120°.
- Lock with handle and 5-mm (0.2 in.) double-bar insert.
- 4 locking points.
- Reinforcement frame, cut-out with a pitch of 25 mm (1.0 in.).
- Opens to the right or left.
- Material: steel.
- Finish: painted with epoxy-polyester resin, RAL 7035 gray.



Supply: one side door, four hinges, four catches and a handle lock.

Spacial SF dimensions: mm (in.)		Catalog number
Height (A)	Depth (C)	
1200 (47.2)	600 (23.6)	<b>NSYSFD126</b>
	800 (31.5)	<b>NSYSFD128</b>
1400 (55.1)	600 (23.6)	<b>NSYSFD146</b>
	800 (31.5)	<b>NSYSFD148</b>
1600 (63.0)	600 (23.6)	<b>NSYSFD166</b>
	800 (31.5)	<b>NSYSFD168</b>
1800 (70.9)	400 (15.7)	<b>NSYSFD184</b>
	500 (19.7)	<b>NSYSFD185</b>
	600 (23.6)	<b>NSYSFD186</b>
	800 (31.5)	<b>NSYSFD188</b>
2000 (78.7)	400 (15.7)	<b>NSYSFD204</b>
	500 (19.7)	<b>NSYSFD205</b>
	600 (23.6)	<b>NSYSFD206</b>
	800 (31.5)	<b>NSYSFD208</b>
2200 (86.6)	400 (15.7)	<b>NSYSFD224</b>
	500 (19.7)	<b>NSYSFD225</b>
	600 (23.6)	<b>NSYSFD226</b>
	800 (31.5)	<b>NSYSFD228</b>



# Accessories


## Doors and door accessories

4



### 180° hinge

- Hinges with an opening of 180°.
- Intended to replace the 120° hinges installed as standard.
- The hinges are compatible with the transparent door and can be installed even with enclosure modules.
- Material: aluminum and zamak.
- Maximum load: 60 kg (132.3 lbs) on the door.
- Finish: painted RAL 9005 black.


 Supply: 4 hinges, template for making the drill holes and mounting hardware.

Model	Catalog number
RAL 9005 black	<b>NSYSH180</b>

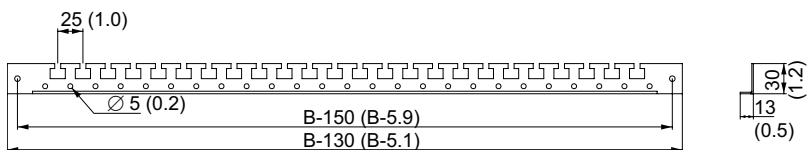


### Door cable-guide cross rail

- Suitable for installing cables on the internal equipment of the door.
- Direct mounting on the reinforcement frame.
- Adjustable depth with a pitch of 25 mm (1.0 in.).
- Material: zinc-coated steel.

 Supply: 2 door cable-guide cross rails on door and mounting hardware.

Spacial Dimensions: mm (in.)	Catalog number
<b>Width (B)</b>	
500 (19.7)	<b>NSYSDGCR5</b>
600 (23.6)	<b>NSYSDGCR6</b>
800 (31.5)	<b>NSYSDGCR8</b>
1000 (39.4)	<b>NSYSDGCR10</b>



# Accessories

## Doors and door accessories



### Trim plate

- Description: trim plate for Spacial SF and SM plain and transparent doors. The Schneider Electric logo can be placed on the left or on the right.
- Material: UV-resistant plastic.
- Mechanical protection rating: IK10.
- Supply: 1 trim plate for single doors, 2 trim plates for double doors.

Width: mm (in.)	No. of doors	Catalog number
300 (11.8)	1	NSYTRIM3SF
400 (15.7)	1	NSYTRIM4SF
500 (19.7)	1	NSYTRIM5SF
600 (23.6)	1	NSYTRIM6SF
700 (27.6)	1	NSYTRIM7SFP
800 (31.5)	1	NSYTRIM8SF
800 (31.5)	2	NSYTRIM8SF2D
1000 (39.4)	1	NSYTRIM10SF
1000 (39.4)	2	NSYTRIM10SF2D
1200 (47.2)	2	NSYTRIM12SF2D
1600 (63.0)	2	NSYTRIM16SF2D



### Customizable label holder

- Description: label holder to be placed on trim plate to customize the enclosure.
- Delivered with a printable blank label.
- Material: polycarbonate (PC).
- Supply: 5 label holders.

**Catalog number**  
NSYCBLSF



# Accessories

## Locking system



### Handle for shape inserts and cylindrical barrels

- Handle lock allows the door to be opened with a single movement.
- Standard handle for the entire range of **Spacial SF** and **Spacial SM** enclosures. Does not include the insert when ordered as an accessory.
- Easy and quick installation of inserts. No screws needed.
- Allows the installation of shape inserts and cylindrical barrels.
- The symmetric design of the locking system makes it easy to change the opening direction of the door right or left. Easy mounting with screws.
- Space reserved for enclosure identification, 21 × 27 mm (0.8 × 1.1 in.), protected by a label frame.
- Material:
  - Handle: polyamide 6 with 30% fiberglass, RAL 9005 black.
  - Label frame: polycarbonate.
- UV resistant.
- Heat resistance: 650 °C.
- Resistance to external mechanical impacts: IK10.



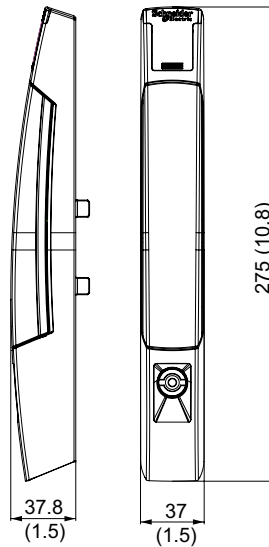
Supply: standard handle and mounting hardware (insert not included).

4

> **Advantage:**  
– Easy opening.

Catalog number

NSYSFHS1



# Accessories

## Locking system

### Shape inserts and cylindrical barrels

Shape inserts	Catalog number
6-mm (0.2 in.) square insert	<b>NSYINS61</b>
Female 6-mm (0.2 in.) square insert	<b>NSYINS6G1</b>
7-mm (0.3 in.) square insert	<b>NSYINS71</b>
8-mm (0.3 in.) square insert	<b>NSYINS81</b>
Female 8-mm (0.3 in.) square insert	<b>NSYINS8G1</b>
8-mm (0.3 in.) square insert with slot	<b>NSYINS8H1</b>
6.5-mm (0.3 in.) triangular insert	<b>NSYINT61</b>
7-mm (0.3 in.) triangular insert	<b>NSYINT71</b>
8-mm (0.3 in.) triangular insert	<b>NSYINT81</b>
9-mm (0.4 in.) triangular insert	<b>NSYINT91</b>
10-mm (0.4 in.) triangular insert	<b>NSYINT101</b>
10-mm (0.4 in.) keyless hexagonal insert	<b>NSYINH31</b>
3-mm (0.1 in.) double-bar insert	<b>NSYINDB31</b>
5-mm (0.2 in.) double-bar insert	<b>NSYINDB51</b>
Daimler Benz insert	<b>NSYINBENZ1</b>
Fiat insert	<b>NSYINFIAT1</b>
Keyless USA slot insert	<b>NSYINUSA1</b>
Keyless 2 × 4 slot insert	<b>NSYIN241</b>
Crown insert	<b>NSYINCW1</b>



Push button	Catalog number
Push button	<b>NSYINPULS1</b>



> For installing shape inserts and cylindrical barrels in handle types DIN, KABA and ASSA (catalog no. **NSYSFHD2**), see adapter (catalog no. **NSYLADP**) page 4/71.

Cylindrical barrels	Catalog number
405E key lock	<b>NSYIN405E1</b>
421E key lock	<b>NSYIN421E1</b>
455 key lock	<b>NSYIN4551</b>
1242E key lock	<b>NSYIN1242E1</b>
1332E key lock	<b>NSYIN1332E1</b>
2124E key lock	<b>NSYIN2124E1</b>
2131A key lock	<b>NSYIN2131A1</b>
2132A key lock	<b>NSYIN2132A1</b>
2331A key lock	<b>NSYIN2331A1</b>
2433A key lock	<b>NSYIN2433A1</b>
2452E key lock	<b>NSYIN2452E1</b>
3113A key lock	<b>NSYIN3113A1</b>
3122E key lock	<b>NSYIN3122E1</b>
3123A key lock	<b>NSYIN3123A1</b>
3133A key lock	<b>NSYIN3133A1</b>
3422E key lock	<b>NSYIN3422E1</b>
3432E key lock	<b>NSYIN3432E1</b>
EDF1300 key lock	<b>NSYINF1301</b>
EDF1400 key lock	<b>NSYINF1401</b>
Michelin 8079 keyless lock	<b>NSYINICHEL8791</b>
Michelin 8133 keyless lock	<b>NSYINICHEL8131</b>
Michelin 8376 keyless lock	<b>NSYINICHEL8371</b>
E1 keyless lock	<b>NSYINE11</b>




# Accessories

## Locking system

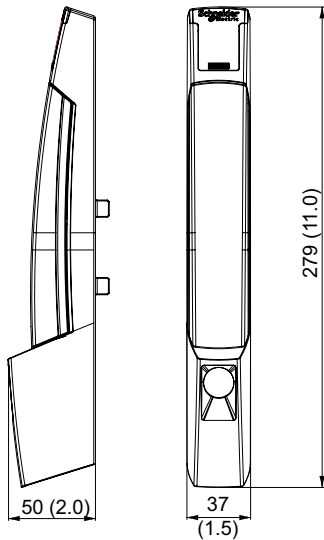




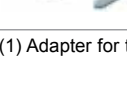


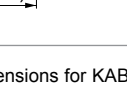

### Handle for insert types DIN, KABA, ASSA

- Handle allows the door to be opened with a single movement.
- The inserts are easily and quickly mounted without any screws and allow the installation of profiled DIN, KABA and ASSA locks.
- To install shape inserts or cylindrical barrels, it is necessary to add an adapter, catalog no. **NSYLADP**. See page **4/71**.
- The symmetric design of the locking system makes it easy to change the opening direction of the door, right or left. Mounts on the door with screws.
- Space reserved for enclosure identification, 21 × 27 mm (0.8 × 1.1 in.), protected by a label frame.
- Material:
  - Handle: polyamide 6 with 30% fiberglass, RAL 9005 black.
  - Label frame: polycarbonate.
- UV resistant.
- Heat resistance: 650 °C.
- Resistance to external mechanical impacts: IK10.

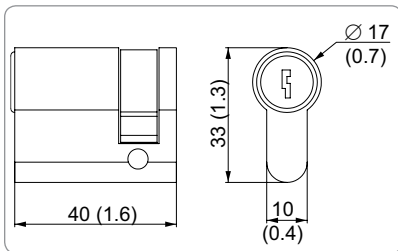
 Supply: one handle for DIN, KABA and ASSA inserts and mounting hardware (insert not included).

**Catalog number**  
**NSYSFHD2**

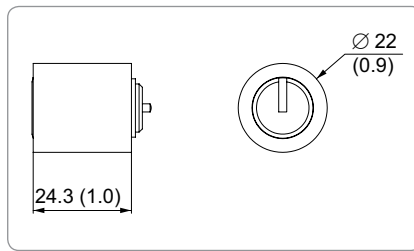


Lock system: DIN, KABA and ASSA	Catalog number
 Adapter for DIN cylinder	<b>NSYINDIN2</b>
 Adapter for KABA cylinder (1)	<b>NSYINKBA2</b>
 Adapter for ASSA cylinder	<b>NSYINASSA2</b>
 1242E key lock	<b>NSYIN1242E2</b>
 Reinforced key lock	<b>NSYINKR2</b>
 JIS key lock	<b>NSYINKJIS2</b>
 FAC key lock	<b>NSYINKFAC2</b>

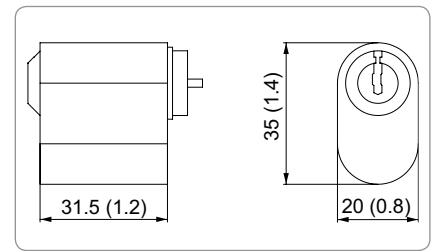
(1) Adapter for the KABA8, KABA20 and KABA start cylinders.



Insert dimensions for DIN adapters.



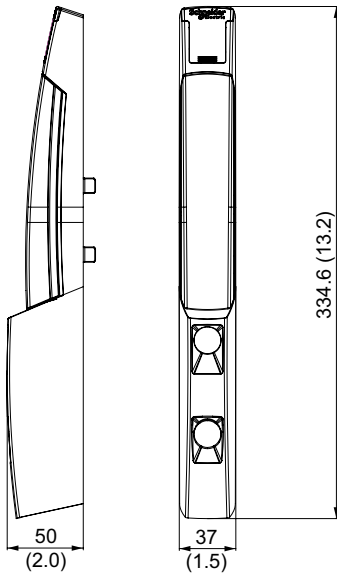
Insert dimensions for KABA adapters.



Insert dimensions for ASSA adapters.

# Accessories

## Locking system



### Double-insert handle

- Handle allows the door to be opened with a single movement. Allows two inserts to be installed in the same lock.
- To install shape inserts or cylindrical barrels, it is necessary to add an adapter, catalog no. **NSYLADP**. See below.
- The handle can perform the "AND" and "OR" functions. The hardware for performing these functions is supplied with the handle.
  - "AND" function: one insert blocks the activation of the other insert.
  - "OR" function: either insert can release the handle.
- The symmetric design of the locking system makes it easy to change the opening direction of the door right or left. Mounts on the door with screws.
- Space reserved for enclosure identification, 21 × 27 mm (0.8 × 1.1 in.), protected by a label frame.
- Material:
  - Handle: polyamide 6 with 30% fiberglass, RAL 9005 black.
  - Label frame: polycarbonate.
- UV resistant.
- Heat resistance: 650 °C.
- Resistance to external mechanical impacts: IK10.



Supply: one double-insert handle, hardware for performing the "AND" and "OR" functions and mounting hardware (insert not included).

#### Catalog number

**NSYSFHD3**

### Adapter for shape inserts and cylindrical barrels

- Plastic adapter for installing shape inserts and cylindrical barrels in handle lock types DIN, KABA, ASSA.



Supply: 1 unit.

- See shape inserts and cylindrical barrels on page **4/69**.
- See insert types DIN, KABA, ASSA on page **4/70**.

#### Catalog number

**NSYLADP**





# Accessories

## Locking system



### Padlock locking

- Padlock locking system, for installation in all the **Spacial SF** and **Spacial SM** enclosure handles.
- Bolt with 7.5-mm (0.3 in.) drill hole.



Supply: one cut-out handle, bolt for padlock and bolt mounting screw.

Catalog number

**NSYBLKH123**



### CNOMO kit

- Locking system to be installed on the central locking bar of the door. It immobilizes the locking bar to help prevent the handle from closing while the door is still open.
- It is compatible with all handle lock versions, except the flat lock and the small flat lock.



Supply: one mechanism, 6.5-mm (0.3 in.) triangular insert, key and mounting hardware.

Catalog number

**NSYCNOH123**




# Accessories

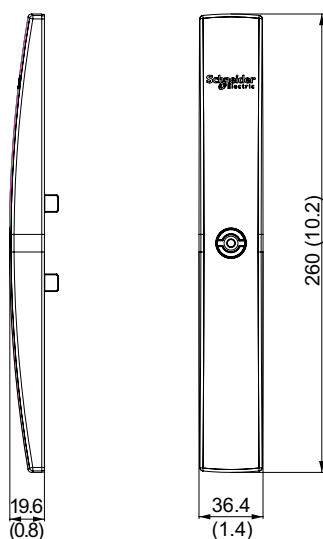
## Locking system












### Flat escutcheon lock

- Optional flat escutcheon lock. Replaces the handle lock.
- The symmetric design of the locking system makes it easy to change the opening direction of the door right or left. Mounting with screws.
- Possibility of changing the turning direction of the insert.
- Material: polyamide 6 with 30% fiberglass, RAL 9005 black.
- UV resistant.
- Heat resistance: 650 °C.
- Resistance to external mechanical impacts: IK10.

 Supply: flat lock, shape insert, key and mounting hardware.



Models		Catalog number
	Flat lock + screwdriver slot, 2-mm (0.08 in.) groove	<b>NSYSFLOCK24</b>
	Flat lock + 8-mm (0.3 in.) triangular insert	<b>NSYSFLOCKT8</b>
	Flat lock + 7-mm (0.3 in.) triangular insert	<b>NSYSFLOCKT7</b>
	Flat lock + 6.5-mm (0.3 in.) triangular insert	<b>NSYSFLOCKT6</b>
	Flat lock + 8-mm (0.3 in.) female square insert	<b>NSYSFLOCKSG8</b>
	Flat lock + 8-mm (0.3 in.) square insert	<b>NSYSFLOCKS8</b>
	Flat lock + 7-mm (0.3 in.) square insert	<b>NSYSFLOCKS7</b>
	Flat lock + 6-mm (0.2 in.) square insert	<b>NSYSFLOCKS6</b>
	Flat lock + 5-mm (0.2 in.) double-bar insert	<b>NSYSFLOCKDB5</b>

# Compartmentalized enclosures

## Characteristics

4



Enclosure cladding accessories, see page 4/75.



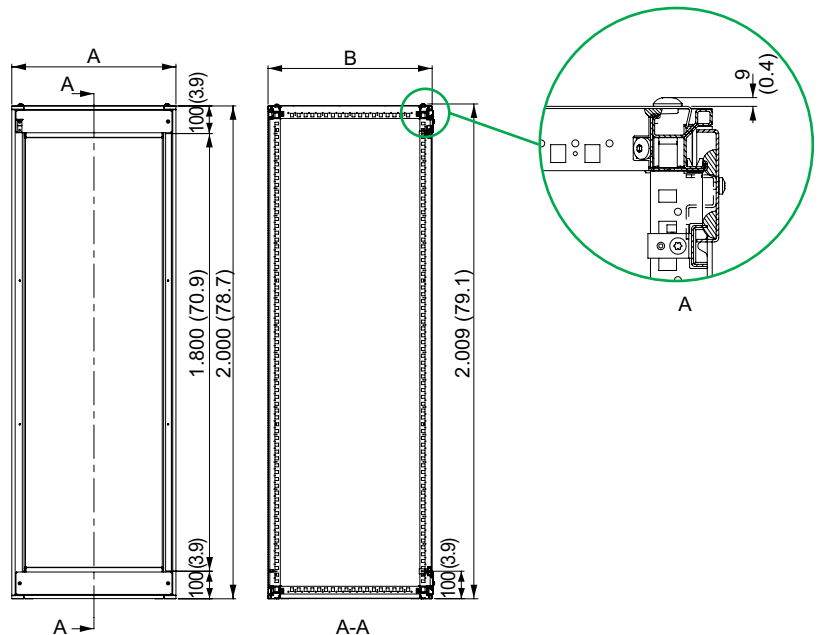
Equipment support accessories, see page 4/82.

### Compartmentalized enclosure application

- The compartmentalized enclosure separates the various working areas, restricting their access.
- The closed compartments make it possible:
  - To insulate the control of a device mechanically and electrically.
  - To reduce the effects of a short-circuit.

### Composition

- Structure: top and bottom frame and vertical uprights.
- The top and bottom panels are fixed to allow modularity.
- 2 intermediate crossbars.
- Removable roof.
- Rear panel with external mountings.
- Material: steel painted with epoxy-polyester resin, textured RAL 7035 gray.



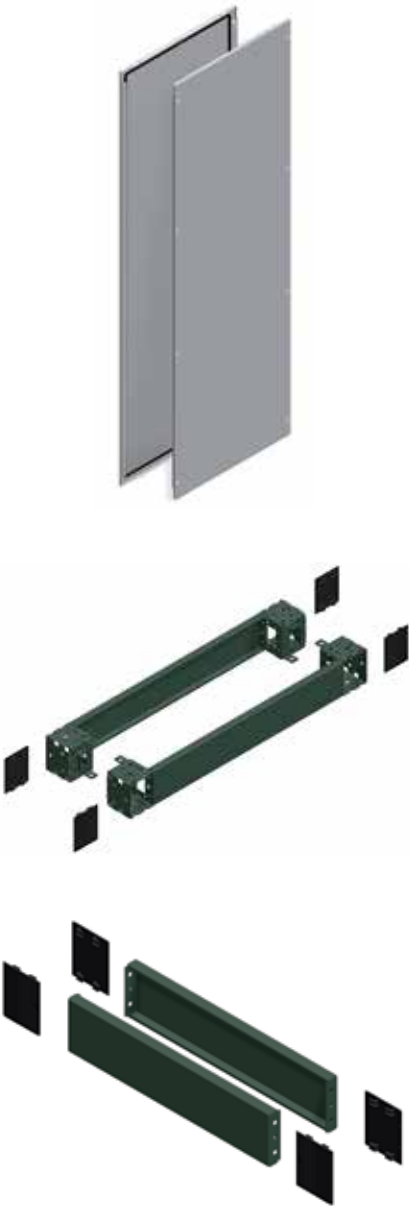
External dimensions: mm (in.)			Useful height for doors: mm (in.)	Catalog number
Height	Width (B)	Depth (C)		
2000 (78.7)	600 (23.6)	600 (23.6)	1800 (70.9)	<b>NSYSF20660M</b>
		800 (31.5)	1800 (70.9)	<b>NSYSF20680M</b>
	800 (31.5)	600 (23.6)	1800 (70.9)	<b>NSYSF20860M</b>
		800 (31.5)	1800 (70.9)	<b>NSYSF20880M</b>



Optional accessories, see page 4/34.

# Compartmentalized enclosures


## Accessories



### Standard side panels

#### External mounting

- Set of 2 side panels for mounting to the outside of the enclosure.
- Captive screws.
- Material: steel painted with epoxy-polyester resin, textured RAL 7035 gray.


 Supply: two side panels with external mountings, supplied with a sealing gasket.

Spacial SF dimensions: mm (in.)		Catalog number
Height	Depth	
2000 (78.7)	600 (23.6)	<b>NSY2SP206</b>
	800 (31.5)	<b>NSY2SP208</b>

### Plinth


- See floor accessories on page 4/34.
- Model heights: 100 and 200 mm (3.9 and 7.9 in.).

#### Front plinth

 Supply:

- **Height 100 mm (3.9 in.):** 4 corners, 2 panels (front and rear), 4 corner covers and mounting hardware.
- **Height 200 mm (7.9 in.):** 4 corners, 4 panels (2 front and 2 rear), 4 corner covers and mounting hardware.

#### Plinth side panels

 Supply:

- **Height 100 mm (3.9 in.):** two side panels, four corner covers and mounting hardware.
- **Height 200 mm (7.9 in.):** four side panels (height of 100 mm [3.9 in], 2 for each side), four corner covers and mounting hardware.

Spacial SF Dimensions: mm (in.)		Front plinth catalog number: mm (in.)		Plinth side panel catalog number: mm (in.)	
Width	Depth	100 (3.9)	200 (7.9)	100 (3.9)	200 (7.9)
600 (23.6)	600 (23.6)	<b>NSYSPF6100</b>	<b>NSYSPF6200</b>	<b>NSYSPS6100</b>	<b>NSYSPS6200</b>
	800 (31.5)	<b>NSYSPF8100</b>	<b>NSYSPF8200</b>	<b>NSYSPS8100</b>	<b>NSYSPS8200</b>
800 (31.5)	600 (23.6)	<b>NSYSPF6100</b>	<b>NSYSPF8200</b>	<b>NSYSPS6100</b>	<b>NSYSPS6200</b>
	800 (31.5)	<b>NSYSPF8100</b>	<b>NSYSPF8200</b>	<b>NSYSPS8100</b>	<b>NSYSPS8200</b>

# Compartmentalized enclosures


## Accessories

4

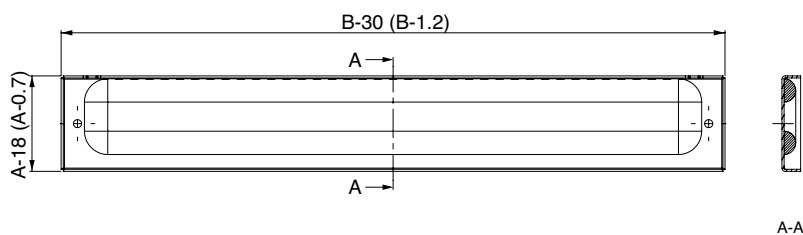


### Fixed panel for modularity

- Panel attached to the enclosure structure with screws.
- Recommended for enclosure kits.
- The panel is installed at the top and bottom of the enclosure, to obtain the modularity required to install partial doors.
- Material: steel painted with epoxy-polyester resin, textured RAL 7035 gray.


 Supply: two panels and mounting hardware.

Spacial SF dimensions: mm (in.)		Catalog number
Height (A)	Width (B)	
100 (3.9)	600 (23.6)	<b>NSYMFP16</b>
	800 (31.5)	<b>NSYMFP18</b>
300 (11.8)	600 (23.6)	<b>NSYMFP36</b>
	800 (31.5)	<b>NSYMFP38</b>

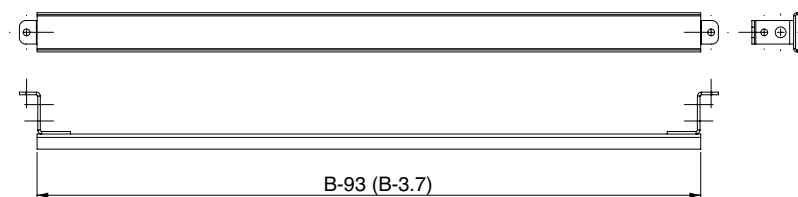


### Intermediate crossbar

- Crossbar with direct mounting to the structure.
- It is mounted between partial doors or between the doors and control desk, to help ensure good sealing.
- Material: steel painted with epoxy-polyester resin, textured RAL 7035 gray.

 Supply: 1 crossbar and mounting hardware.

Spacial SF Dimensions: mm (in.)	Catalog number
Width (B)	
600 (23.6)	<b>NSYMIC6</b>
800 (31.5)	<b>NSYMIC8</b>



# Compartmentalized enclosures

## Accessories

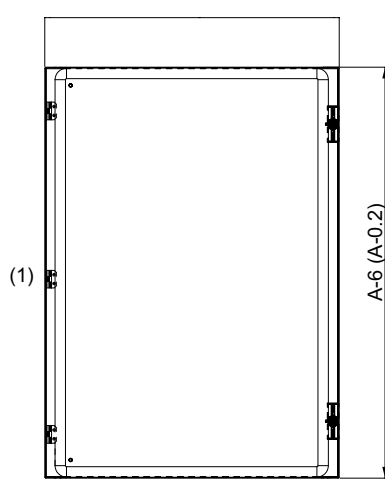


### Partial doors

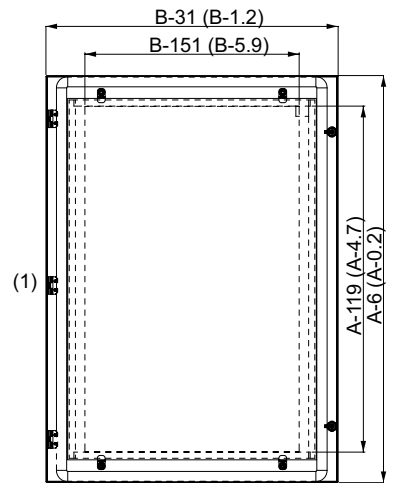
- Two partial door versions:
  - Plain partial door.
  - Transparent partial door with Securit glass.
- The doors are attached to the uprights of the structure with hinges.
- Locking system with small flat escutcheon, made from polyamide 6 with 30% fiberglass, RAL 9005 black, with 3 mm (0.1 in.) double-bar metal insert.
- 1 locking point for doors with heights of 200 and 400 mm (7.9 and 15.7 in.), and 2 locking points for doors with heights of 600 to 1000 mm (23.6 to 39.4 in.).
- Opens to the right or left.
- 2 vertical reinforcement frames, cut-out with a pitch of 25 mm (1.0 in.); except doors with a height of 200 mm (7.9 in.).
- Material: steel painted with epoxy-polyester resin, textured RAL 7035 gray.

Supply: partial door, hinges and mounting hardware.

Spacial SF dimensions: mm (in.)		Plain partial door catalog number	Transparent partial door catalog number
Height (A)	Width (B)		
200 (7.9)	600 (23.6)	NSYMPD26	NSYMPD26T
400 (15.7)		NSYMPD46	NSYMPD46T
600 (23.6)		NSYMPD66	NSYMPD66T
800 (31.5)		NSYMPD86	NSYMPD86T
1000 (39.4)		NSYMPD106	NSYMPD106T
200 (7.9)	800 (31.5)	NSYMPD28	NSYMPD28T
400 (15.7)		NSYMPD48	NSYMPD48T
600 (23.6)		NSYMPD68	NSYMPD68T
800 (31.5)		NSYMPD88	NSYMPD88T
1000 (39.4)		NSYMPD108	NSYMPD108T



Heights from 400 to 1000 mm (15.7 to 39.4 in.).  
(1) 3 hinges in 1000 mm (39.4 in.) height.

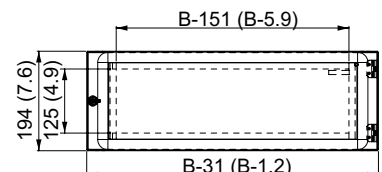


Heights from 400 to 1000 mm (15.7 to 39.4 in.).  
(1) 3 hinges in 1000 mm (39.4 in.) height.



Height 200 mm (7.9 in.)

Plain partial door



Height 200 mm (7.9 in.)

Transparent partial door

# Compartmentalized enclosures

## Accessories



### Folding panels

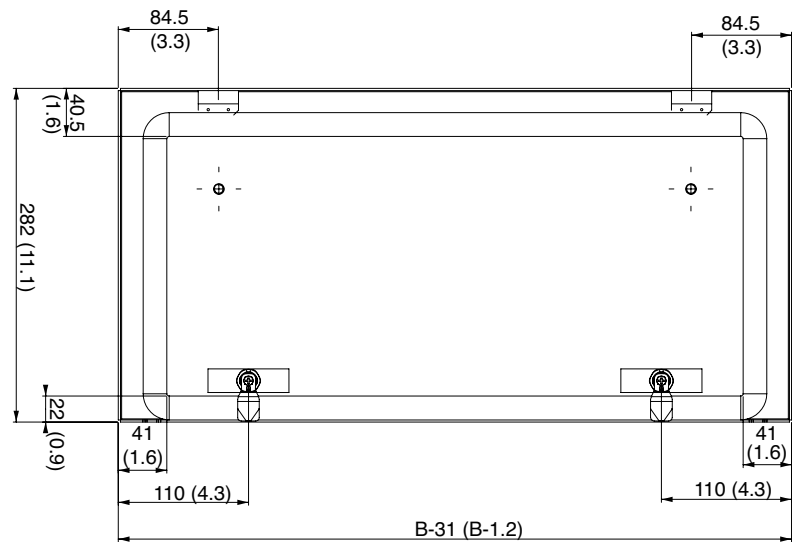
- Horizontal panel, hinged at the top.
- Opening angle: 90°.
- The panels are installed together with partial doors to create enclosure modularity.
- Material: steel painted with epoxy-polyester resin, textured RAL 7035 gray.
- Locking system with two small flat escutcheons, made from polyamide 6 with 30% fiberglass, RAL 9005 black, with 3-mm (90.1 in.) double-bar insert.



Supply: one folding panel, hinges and mounting hardware.

Nominal dimensions: mm (in.)		Catalog number
Height	Width (B)	
300 (11.8)	600 (23.6)	<b>NSYCDP36</b>
	800 (31.5)	<b>NSYCDP38</b>

4



# Compartmentalized enclosures

## Accessories



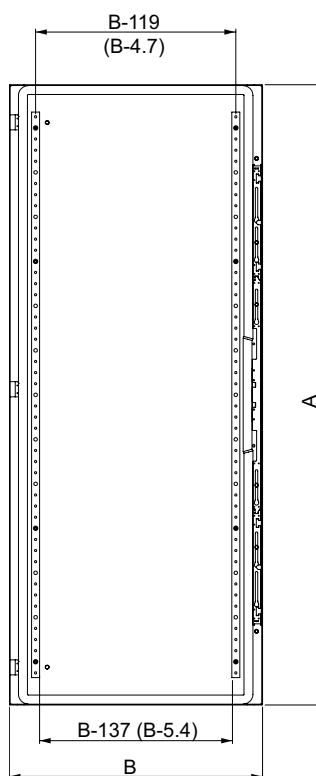
### Partial door for folding panel

- Can be combined with folding panels and with the rest of the partial doors.
- Plain partial doors with handle lock with 5-mm (0.2 in.) double-bar insert.
- 4 locking points and 2 or 3 hinges according to the height:
  - 2 hinges: heights of 1200 and 1400 mm (47.2 and 55.1 in.).
  - 3 hinges: height of 1600 mm (63.0 in.).
- Material: steel painted with epoxy-polyester resin, textured RAL 7035 gray.



Supply: one partial door, hinges and catches for the locking system.

Nominal dimensions: mm (in.)		Plain partial door catalog number
Height (A)	Width (B)	
1200 (47.2)	600 (23.6)	<b>NSYMPD126</b>
1400 (55.1)		<b>NSYMPD146</b>
1600 (63.0)		<b>NSYMPD166</b>
1200 (47.2)	800 (31.5)	<b>NSYMPD128</b>
1400 (55.1)		<b>NSYMPD148</b>
1600 (63.0)		<b>NSYMPD168</b>





# Compartmentalized enclosures


## Accessories

4



### Drilling template

- Guide for drilling the vertical uprights, before installing the partial doors.
- The template can be reused.
- Material: zinc-coated steel.


 Supply: one template.

**Catalog number**  
**NSYMDT**

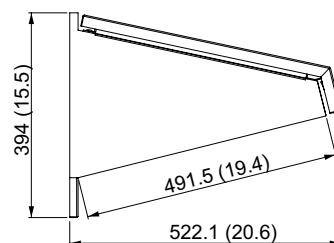
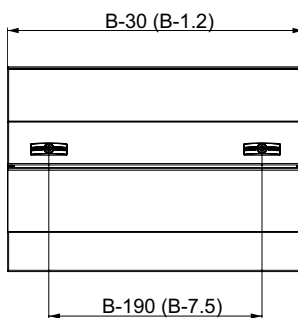


### Control desk

- Support for human-machine dialog.
- The control desk attaches directly to the enclosure structure and can be inserted the same way as the partial doors.
- Material: steel painted with epoxy-polyester resin, textured RAL 7035 gray.
- Locking system with small flat escutcheons, made from polyamide 6 with 30% fiberglass, RAL 9005 black, with 3-mm double-bar metal insert.

 Supply: one control desk and mounting hardware.

Nominal dimensions: mm (in.)		Catalog number
Height	Width (B)	
400 (15.7)	600 (23.6)	<b>NSYCOD264</b>
	800 (31.5)	<b>NSYCOD284</b>



# Compartmentalized enclosures

## Accessories



### Locks

- Locks to replace the 3-mm (0.1 in.) double-bar lock supplied with the partial doors, folding panel and control desk.
- Models:
  - Adaptation of lock with shape inserts, triangular 6.5 mm (0.3 in.) and square 6 mm (0.2 in.).
  - Lock with 2233X key for partial doors.
  - Lock with 2233X key for folding panel and control desk.



- Supply:
- One lock with shape inserts, triangular 6.5 mm (0.3 in.) and square 6 mm (0.2 in.): metal body, shape insert and lock washer.
  - One lock with 2233X key for partial doors: metal body, insert, bolt, lock washer and key.
  - One lock with 2233X key, exclusively for folding panel and control desk: metal body, insert, special bolt, lock washer and key.

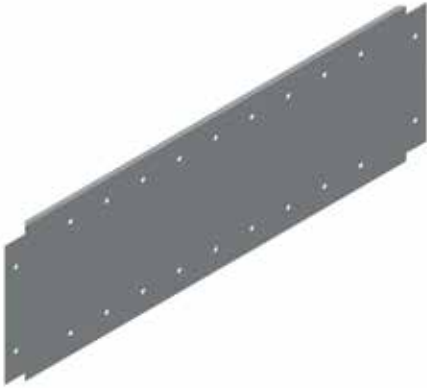
Description	Catalog number
Lock with 6.5-mm (0.3 in.) triangular insert for control desk and partial, hinged door	<b>NSYMLT6</b>
Lock with 6-mm (0.2 in.) square insert for partial door, folding panel and control desk	<b>NSYMLS6</b>
Lock with 2233X key for partial door	<b>NSYML23</b>
Lock with 2233X key for folding panel and control desk	<b>NSYMLCD23</b>

### Examples of accessories




# Compartmentalized enclosures

## Mounting accessories



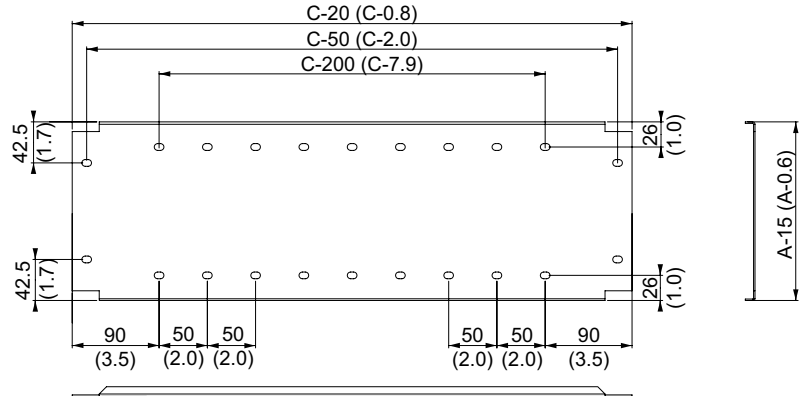
### Side partitions

- Side partitions to help ensure good insulation of the compartments.
- Direct mounting on the enclosure structure.
- Material: galvanized steel.

 Supply: two side partitions and mounting hardware.


Nominal dimensions: mm (in.)		Catalog number
Height (A)	Depth (C)	
200 (7.9)	600 (23.6)	<b>NSYMSC26</b>
	800 (31.5)	<b>NSYMSC28</b>
400 (15.7)	600 (23.6)	<b>NSYMSC46</b>
	800 (31.5)	<b>NSYMSC48</b>

4

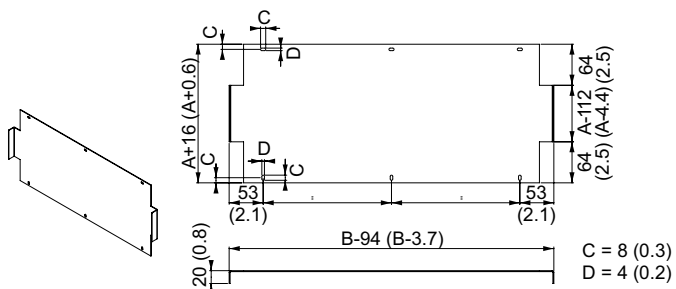


### Rear partitions

- Rear enclosing plates for forming modules, also allowing the installation of equipment.
- They are installed at the rear of the partition tray.
- Material: galvanized steel.

 Supply: 1 rear partition and mounting hardware.

Nominal dimensions: mm (in.)		Catalog number
Height (A)	Width (B)	
200 (7.9)	600 (23.6)	<b>NSYBMC26</b>
400 (15.7)		<b>NSYBMC46</b>
600 (23.6)		<b>NSYBMC66</b>
800 (31.5)		<b>NSYBMC86</b>
1000 (39.4)		<b>NSYBMC106</b>
200 (7.9)	800 (31.5)	<b>NSYBMC28</b>
400 (15.7)		<b>NSYBMC48</b>
600 (23.6)		<b>NSYBMC68</b>
800 (31.5)		<b>NSYBMC88</b>
1000 (39.4)		<b>NSYBMC108</b>



# Compartmentalized enclosures

## Mounting accessories



### Mounting rail kit

- Provides rails for the mounting plate.
- The rails mount on the enclosure side plates.
- Models:
  - Fixed: allow adjustment with a pitch of 50 mm (2.0 in.).
  - Adjustable: allow continuous adjustment for depths of 600 and 800 mm (23.6 and 31.5 in.).
- Material: zinc-coated steel.



Supply: four rails and mounting hardware.

Model	Nominal dimensions: mm (in.)		Catalog number
	Depth		
Fixed	-		<b>NSYCFIX</b>
Adjustable	600 (23.6)		<b>NSYCFIX6</b>
Adjustable	800 (31.5)		<b>NSYCFIX8</b>



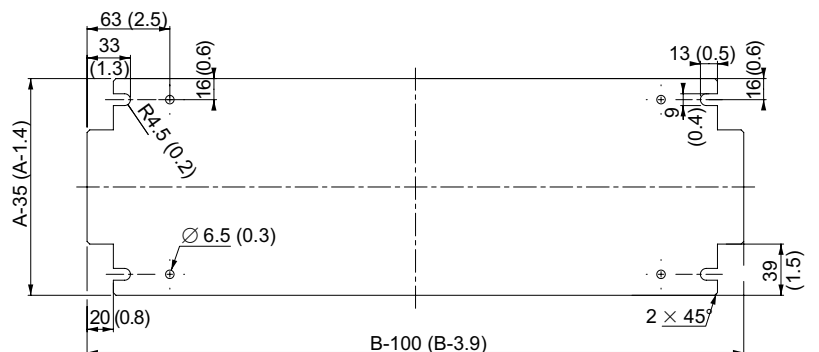
### Mounting plate

- Plate for mounting equipment.
- The plate mounts fixed on mounting rail kit **NSYCFIX**, or with adjustable depth on mounting rail kits **NSYCFIX6** or **NSYCFIX8**.
- Material: galvanized steel.



Supply: one mounting plate.

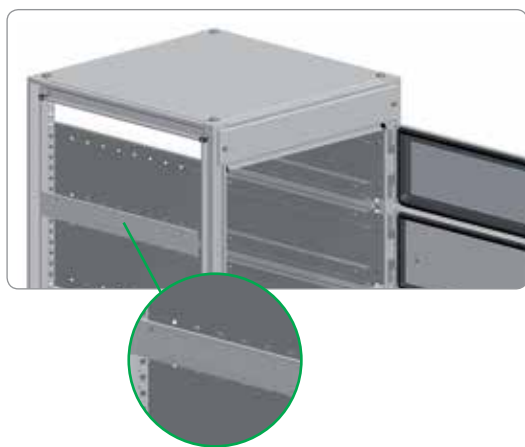
Nominal dimensions: mm (in.)		Catalog number
Height (A)	Width (B)	
200 (7.9)	600 (23.6)	<b>NSYMP26</b>
400 (15.7)		<b>NSYMP46</b>
600 (23.6)		<b>NSYMP66</b>
800 (31.5)		<b>NSYMP86</b>
1000 (39.4)		<b>NSYMP106</b>
200 (7.9)	800 (31.5)	<b>NSYMP28</b>
400 (15.7)		<b>NSYMP48</b>
600 (23.6)		<b>NSYMP68</b>
800 (31.5)		<b>NSYMP88</b>
1000 (39.4)		<b>NSYMP108</b>



# Compartmentalized enclosures


## Mounting accessories

4



### Side enclosing plate


- The side enclosing plate is installed between the side partitions for full enclosure of the module.
- It attaches to the side partition from the outside of the enclosure.
- Material: galvanized steel.

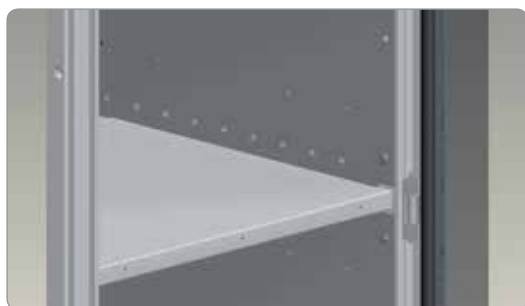
 Supply: one side enclosing plate and mounting hardware.

Spacial SF Dimensions: mm (in.)		Catalog number
Depth		
600 (23.6)		<b>NSYCMOD6</b>
800 (31.5)		<b>NSYCMOD8</b>

### Partition tray

- Helps ensure horizontal insulation of the modules.
- It attaches to the front frame, supported by the side partitions.
- Material: galvanized steel.

 Supply: one partition tray and mounting hardware.



Spacial SF dimensions: mm (in.)		Catalog number
Width	Depth	
600 (23.6)	400 (15.7)	<b>NSYSTR64</b>
	500 (19.7)	<b>NSYSTR65</b>
800 (31.5)	400 (15.7)	<b>NSYSTR84</b>
	500 (19.7)	<b>NSYSTR85</b>


# Compartmentalized enclosures

## Mounting accessories



### Tray crossbar

- To be installed between partial doors, separated with a partition tray.
- It attaches to the partition tray with screws.
- Material: steel painted with epoxy-polyester resin, textured RAL 7035 gray.

 Supply: one tray crossbar and mounting hardware.




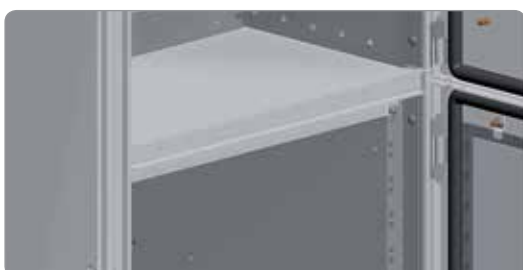
Spacial SF Dimensions: mm (in.)	Catalog number
Width	
600 (23.6)	<b>NSYTRG6</b>
800 (31.5)	<b>NSYTRG8</b>



### Partial 19" fixed rack

- Designed for coupling to enclosures with a width of 600 mm (23.6 in.).
- Direct mounting to the structure, in front position.
- Maximum load: 2 kg/U (4.4 lbs/U).
- Material: zinc-coated steel.

 Supply: two racks, two horizontal escutcheons and mounting hardware.



Enclosure height: mm (in.)	No. of units	Catalog number
200 (7.9)	3	<b>NSYCRCKP3</b>
400 (15.7)	7	<b>NSYCRCKP7</b>
600 (23.6)	12	<b>NSYCRCKP12</b>
800 (31.5)	16	<b>NSYCRCKP16</b>
1000 (39.4)	21	<b>NSYCRCKP21</b>
1200 (47.2)	25	<b>NSYCRCKP25</b>

# Compartmentalized enclosures

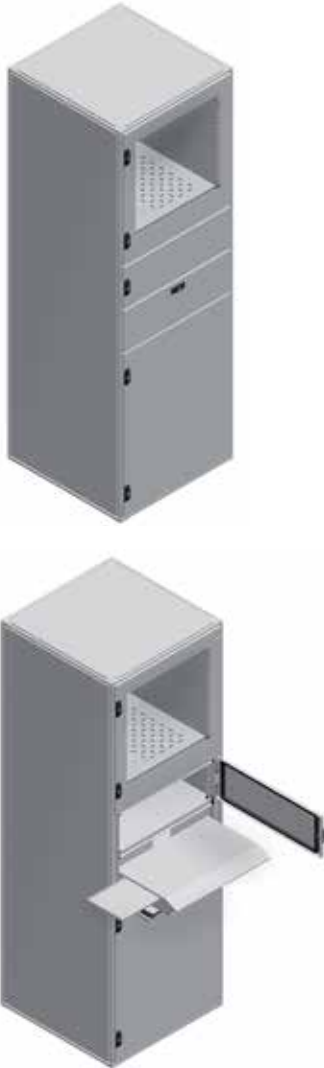
## Mounting accessories

### Examples of mounting accessories



# PC rack

## Characteristics



### Technical characteristics

- Enclosure designed to protect computer equipment installed in industrial environments.
- Degree of protection IP55, or IP40 with hinged keyboard.
- Available in two heights: 1600 and 1800 mm (63.0 and 70.9 in.).

### Composition

- Structure: top and bottom frame and vertical uprights.
- Partial front doors opening to the right, made from steel painted with epoxy-polyester resin, textured RAL 7035 gray.
- Models:
  - Partial door for PC screen, with Securit anti-glare glass.
  - Plain partial door for CPU (enclosures with height of 1800 mm [70.9 in]).
  - Hinged plain door for keyboard.
  - Plain partial door for optional installation of A4 printer support.
- Plain rear door, made from steel painted with epoxy-polyester resin, textured RAL 7035 gray. Reversible opening direction (right or left).
- Locking system with flat escutcheon, made from polyamide 6 with 30% fiberglass, RAL 9005 black, with 5-mm (0.2 in.) double-bar insert for the plain rear door, and small flat escutcheon with 3-mm (0.1 in.) double-bar insert for the partial front doors.
- Roof and side panels attached from the inside, made from steel painted with epoxy-polyester resin, textured RAL 7035 gray.
- Cable-gland plate with 1 entry.

### Certifications

- BV, DNV, UL\*, CUL.  
\*1, 12, 12K.

Spacial SF PC rack dimensions: mm (in.)			No. of compartments	Catalog number
Height (A)	Width (B)	Depth (C)		
1600 (63.0)	600 (23.6)	600 (23.6)	3	NSYSF16660PC
		800 (31.5)	3	NSYSF16680PC
1800 (70.9)		600 (23.6)	4	NSYSF18660PC
		800 (31.5)	4	NSYSF18680PC



Detail of screen compartment.



Detail of CPU and keyboard compartment with tray.

### > Advantage:

- Security. The roof and panels, attached from the inside, prevent access by unauthorized personnel.



# PC rack

## Characteristics

### Locks

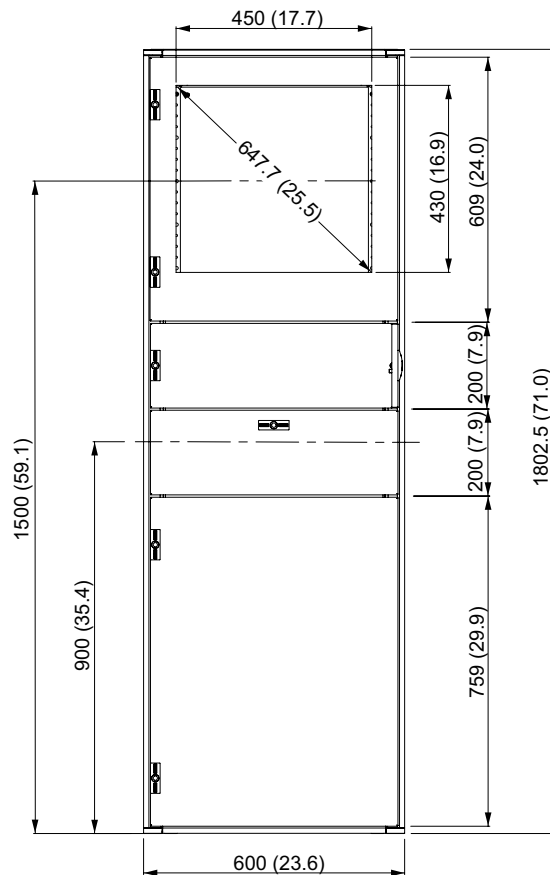


Detail of 3-mm (0.1 in.) double-bar lock on partial door.

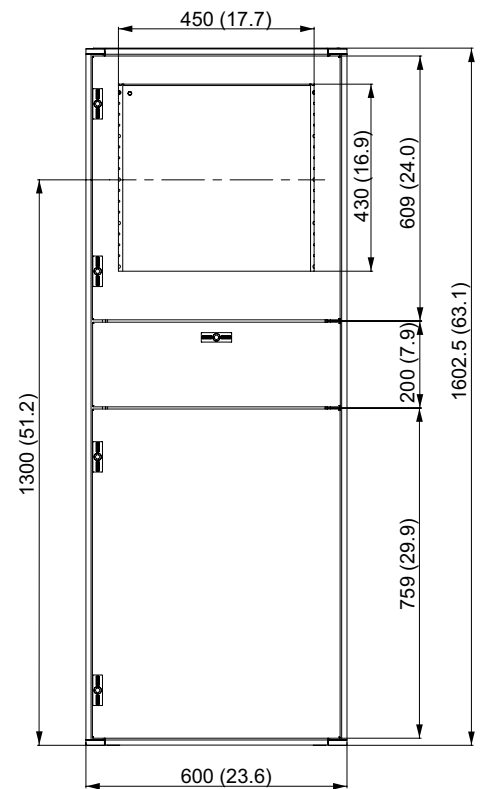


Detail of 5-mm (0.2 in.) double-bar lock on rear door.

### Dimensions: mm (in.)



PC rack with a height of 1800 mm (70.9 in.).



PC rack with a height of 1600 mm (63.0 in.).

# PC rack Accessories



## Plinth

- See floor accessories, page 4/34.
- Model heights: 100 and 200 mm (3.9 and 7.9 in.).

## Front plinth

- Supply:
- **Height 100 mm (3.9 in.):** four corners, two panels (front and rear), four corner covers and mounting hardware.
  - **Height 200 mm (7.9 in.):** four corners, four panels with a height of 100 mm (3.9 in.) (two front and two rear), four corner covers and mounting hardware.

## Plinth side panels

- Supply:
- **Height 100 mm (3.9 in.):** two side panels, four corner covers and mounting hardware.
  - **Height 200 mm (7.9 in.):** four side panels with a height of 100 mm (3.9 in.) (two for each side), four corner covers and mounting hardware.

Spacial SF Dimensions: mm (in.)		Front plinth catalog number: mm (in.)		Plinth side panel catalog number: mm (in.)	
Width	Depth	100 (3.9)	200 (7.9)	100 (3.9)	200 (7.9)
600 (23.6)	600 (23.6)	NSYS PF6100	NSYS PF6200	NSYS PS6100	NSYS PS6200
600 (23.6)	800 (31.5)			NSYS PS8100	NSYS PS8200



## Locks for partial doors

- Locks to replace the 3-mm (0.1 in.) double-bar lock supplied with the partial doors.
- Models:
  - Adaptation of lock with shape inserts, triangular 6.5 mm (0.3 in.) and square 6 mm (0.2 in.).
  - Lock with 2233X key for partial doors.
  - Lock with 2233X key, exclusively for hinged keyboard door.

- Supply:
- Lock with shape inserts, triangular 6.5 mm (0.3 in.) and square 6 mm (0.2 in.): metal body, shape insert and washer.
  - Lock with 2233X key for partial doors: metal body, insert, bolt, washer and key.
  - Lock with 2233X key, exclusively for hinged keyboard door: metal body, insert, special bolt, washer and key.

Description	Catalog number
One lock with 6.5-mm (0.3 in.) triangular insert for partial and hinged door	NSYMLT6
One lock with 6-mm (0.2 in.) square insert for partial and hinged door	NSYMLS6
One lock with 2233X key for partial door	NSYML23
One lock with 2233X key for hinged keyboard door	NSYMLCD23

# PC rack Accessories

4



Tray installed on the structure.



Tray installed on cross rails.

> **Advantage:**

Withstands loads of up to 150 kg (330.7 lbs).



Telescopic rails installed on the structure.



Telescopic rails installed on cross rails.

## Fixed tray

- Tray with option for direct mounting to the structure if the tray is the same size as the enclosure, and on cross rails if it is smaller.
- Depth adjustable with a pitch of 25 mm (1.0 in.).
- Provided with cut-outs for improving air circulation inside.
- Material: steel painted with epoxy-polyester resin, RAL 7035 gray.
- Acceptable load: 150 kg (330.7 lbs), evenly distributed.
- Tray height: 30 mm (1.2 in.).



Supply: one fixed tray and mounting hardware.

Spacial SF dimensions: mm (in.)		Tray dimensions: mm (in.)	Catalog number
Width	Depth		
600 (23.6)	400 (15.7)	482 × 290 × 30 (19.0 × 11.4 × 1.2)	<b>NSYFXT6040</b>
	500 (19.7)	482 × 390 × 30 (19.0 × 15.4 × 1.2)	<b>NSYFXT6050</b>
	600 (23.6)	482 × 490 × 30 (19.0 × 19.3 × 1.2)	<b>NSYFXT6060</b>
800 (31.5)	400 (15.7)	682 × 290 × 30 (26.9 × 11.4 × 1.2)	<b>NSYFXT8040</b>
	500 (19.7)	682 × 390 × 30 (26.9 × 15.4 × 1.2)	<b>NSYFXT8050</b>
	600 (23.6)	682 × 490 × 30 (26.9 × 19.3 × 1.2)	<b>NSYFXT8060</b>

## Telescopic rails

- The telescopic rails can be installed directly on the enclosure structure or on cross rails.
- The installation of a telescopic tray consists of the following:
  - 1 fixed tray.
  - 2 telescopic rails (installed directly on the structure).
- End-of-travel stop in open and closed position.
- Material: zinc-coated steel.
- Acceptable load: 50 kg (110.2 lbs), evenly distributed.



Supply: two telescopic rails and mounting hardware.

Spacial SF Dimensions: mm (in.)	Catalog number
Depth	
400 (15.7)	<b>NSYTTG40</b>
500 (19.7)	<b>NSYTTG50</b>
600 (23.6)	<b>NSYTTG60</b>

# PC rack

## Mounting accessories

### Tray cross rails


- Cross rails that allow the installation of fixed trays and telescopic rails. Quick-mounting and universal cross rails, see pages 8/35 and 8/37.

Spacial SF Dimensions: mm (in.)	Universal cross rail catalog number	Quick cross rail catalog number
Depth	40 mm (1 row)	40 mm (1 row)
400 (15.7)	<b>NSYSUCR4040</b>	<b>NSYSQCR4040</b>
500 (19.7)	<b>NSYSUCR4050</b>	<b>NSYSQCR4050</b>
600 (23.6)	<b>NSYSUCR4060</b>	<b>NSYSQCR4060</b>
800 (31.5)	<b>NSYSUCR4080</b>	<b>NSYSQCR4080</b>



### Handle for telescopic trays

- Handle designed for easy extraction of the sliding trays.
- Material: polyamide 6 (black).


 Supply: two handles and mounting hardware.

**Catalog number**  
**NSY1TH**



### Printer support

- Support for an A4 printer, with area reserved for paper.
- Mounts directly to the enclosure structure, with a depth of 600 mm. For a depth of 800 mm (31.5 in.), it can be installed with 40-mm (1.6 in.) universal or quick-mounting cross rails (1 row), see pages 8/35 and 8/37.
- Material: steel painted RAL 7035 gray.

 Supply: one printer support and mounting hardware.

**Catalog number**  
**NSYPSA4**

# Electronic applications

## Characteristics

### Modular metal enclosure for electronic applications

Enclosure prepared for the installation of standard 19" fixed and swing racks for telecommunication, voice, data and electronic facilities, see page 4/102.

#### Composition

- Structure: top and bottom frame and vertical uprights.
- Transparent front door, made from sheet steel, painted with epoxy-polyester resin, textured RAL 7035 gray, with Securit glass.
- Plain rear door, made from sheet steel, painted with epoxy-polyester resin, textured RAL 7035 gray.
- Standard locking system with handle and 5-mm (0.2 in.) double-bar insert.
- Removable roof.
- Externally-mounted side panels, made from sheet steel, painted with epoxy-polyester resin, textured RAL 7035 gray, double folded to increase their rigidity, with captive mounting screws that reduce installation time.
- In enclosures with widths of 600 and 800 mm (23.6 and 31.5 in.), it is possible to install fixed or swing racks, ordered separately.

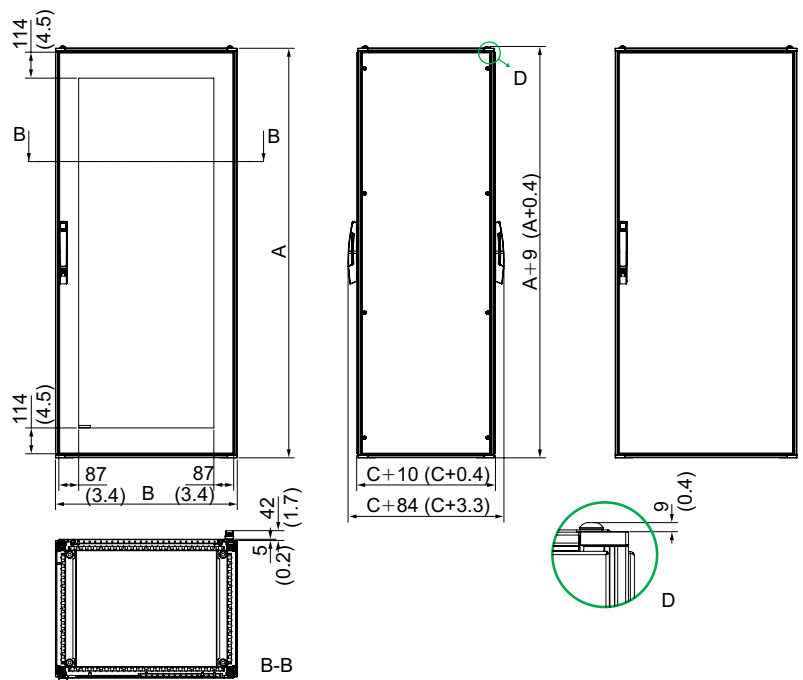
#### Certifications

- BV, DNV, UL\*, CUL.
- \*1, 12, 12K.



4

Spacial SF electronic application enclosure dimensions: mm (in.)			Catalog number
Height (A)	Width (B)	Depth (C)	
1200 (47.2)	600 (23.6)	600 (23.6)	NSYSF12660E
		800 (31.5)	NSYSF12680E
	800 (31.5)	600 (23.6)	NSYSF12860E
		800 (31.5)	NSYSF12880E
2000 (78.7)	600 (23.6)	600 (23.6)	NSYSF20660E
		800 (31.5)	NSYSF20680E
	800 (31.5)	600 (23.6)	NSYSF20860E
		800 (31.5)	NSYSF20880E
2200 (86.6)	600 (23.6)	1000 (39.4)	NSYSF208100E
		600 (23.6)	NSYSF22660E
		800 (31.5)	NSYSF22680E
	800 (31.5)	1000 (39.4)	NSYSF226100E
		600 (23.6)	NSYSF22860E
		800 (31.5)	NSYSF22880E
		1000 (39.4)	NSYSF228100E



# Electronic applications

## Accessories



### Plinth

- See floor accessories, page 4/34.
- Model heights: 100 and 200 mm (3.9 and 7.9 in.).

### Front plinth

- Supply:
- **Height 100 mm (3.9 in.):** four corners, two panels (front and rear), four corner covers and mounting hardware.
  - **Height 200 mm (7.9 in.):** four corners, four panels (two front and two rear), four corner covers and mounting hardware.



### Plinth side panels

- Supply:
- **Height 100 mm (3.9 in.):** two side panels, four corner covers and mounting hardware.
  - **Height 200 mm (7.9 in.):** four side panels (height of 100 mm [3.9 in], two for each side), four corner covers and mounting hardware.

Spacial SF Dimensions: mm (in.)		Front plinth catalog number: mm (in.)		Side panel plinth catalog number: mm (in.)	
Width	Depth	100 (3.9)	200 (7.9)	100 (3.9)	200 (7.9)
600 (23.6)	600 (23.6)	NSYSPF6100	NSYSPF6200	NSYSPS6100	NSYSPS6200
	800 (31.5)			NSYSPS8100	NSYSPS8200
	1000 (39.4)			NSYSPS10100	NSYSPF10200
800 (31.5)	600 (23.6)	NSYSPF8100	NSYSPF8200	NSYSPS6100	NSYSPS6200
	800 (31.5)			NSYSPS8100	NSYSPS8200
	1000 (39.4)			NSYSPS10100	NSYSPF10200



### Ventilated front plinth

- Supply:
- **Height 100 mm (3.9 in.):** four corners, two ventilated panels (front and rear), four corner covers and mounting hardware.

### Ventilated plinth side panels

- Supply:
- **Height 100 mm (3.9 in.):** two ventilated side panels, four corner covers and mounting hardware.

Spacial SF dimensions: mm (in.)		Ventilated front plinth catalog number	Ventilated plinth side panel catalog number
Width	Depth	100 mm (3.9 in.)	
600 (23.6)	600 (23.6)	NSYSPFV6100	NSYSPV6100
	800 (31.5)		NSYSPV8100
800 (31.5)	600 (23.6)	NSYSPFV8100	NSYSPV6100
	800 (31.5)		NSYSPV8100



# Electronic applications

## Accessories

4


### Cable-gland plates

- See cable-gland accessories, page 4/48.
- Models: plain plates, with one entry and two entries.


#### Plain cable-gland plate

 Supply: One plain plate and mounting hardware.

#### Cable-gland plate with 1 entry

 Supply: one plate with one entry, self-extinguishing polyurethane adhesive gasket with cross-section of 15 × 25 mm (0.6 × 1.0 in.), which helps ensure good sealing, and mounting hardware.

#### Cable-gland plate with 2 entries

 Supply: one plate with two entries, self-extinguishing polyurethane adhesive gasket with cross-section of 15 × 25 mm (0.6 × 1.0 in.), which helps ensure good sealing, and mounting hardware.




Nominal dimensions: mm (in.)		Catalog number		
Width	Depth	Plain	With 1 entry	With 2 entries
600 (23.6)	600 (23.6)	NSYEC66	NSYEC661	NSYEC662
	800 (31.5)	NSYEC68	NSYEC681	NSYEC682
	1000 (39.4)	NSYEC610	NSYEC6101	NSYEC6102
800 (31.5)	600 (23.6)	NSYEC86	NSYEC861	NSYEC862
	800 (31.5)	NSYEC88	NSYEC881	NSYEC882
	1000 (39.4)	NSYEC810	NSYEC8101	NSYEC8102



### Ventilated cable-gland plates

- Plates for cable entry from the bottom of the enclosure.
- Material: galvanized steel.
- Thickness: 1.5 mm (0.06 in.).
- Mounted with a C-shaped clip, attached with screws, providing electrical continuity through the clip.
- Each plate has a hole with an 8-mm (0.3 in.) diameter, covered with a plug, for a grounding cable or braid (not supplied).

 Supply: one ventilated plate with one entry, self-extinguishing polyurethane adhesive gasket with cross-section of 15 × 25 mm (0.6 × 1.0 in.), and mounting hardware.

Nominal dimensions: mm (in.)		Catalog number
Width	Depth	
600 (23.6)	600 (23.6)	NSYECV661
	800 (31.5)	NSYECV681
	1000 (39.4)	NSYECV6101
800 (31.5)	600 (23.6)	NSYECV861
	800 (31.5)	NSYECV881
	1000 (39.4)	NSYECV8101



Enclosure width 600 mm (23.6 in.).



Enclosure width 800 mm (31.5 in.).

### Cable-gland support for CaSys™ plates

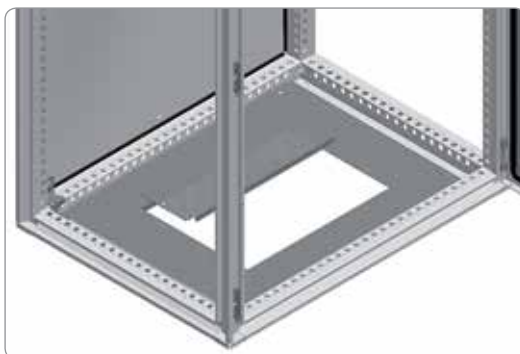
- Support for cable entry from the bottom of the enclosure.
- Allows the installation of CaSys cable-gland accessories.
- Material: galvanized steel.
- Thickness: 1.5 mm (0.06 in.).
- Mounted with a C-shaped clip, attached with screws, providing electrical continuity through the clip.
- The CaSys plates are mounted with C-shaped clips to enclosures with a width of 600 mm (23.6 in.), and are mounted with screws directly to the support in enclosures with a width of 800 mm (31.5 in.).



Supply:

- Enclosure width 600 mm (23.6 in.): two plates and mounting hardware.
- Enclosure width 800 mm (31.5 in.): one support and mounting hardware.

Nominal dimensions: mm (in.)		Catalog number
Width	Depth	
600 (23.6)	600 (23.6)	<b>NSYCECS66</b>
	800 (31.5)	<b>NSYCECS68</b>
	1000 (39.4)	<b>NSYCECS610</b>
800 (31.5)	600 (23.6)	<b>NSYCECS86</b>
	800 (31.5)	<b>NSYCECS88</b>
	1000 (39.4)	<b>NSYCECS810</b>







# Electronic applications

## Accessories



### Top roof plate with brush gasket

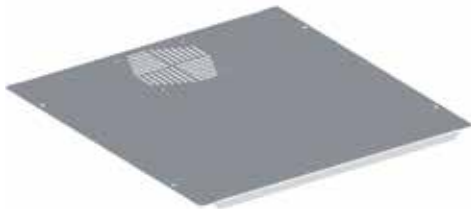
- Removable folded sheet-steel plate, equipped with a gasket with cable-gland brush.
- Optional installation of roof elevators for ventilation, catalog no. **NSYEX206**, and cable-gland plates.
- Material: steel painted with epoxy-polyester resin, RAL 7035 gray.



Supply: one top roof plate with brush gasket and mounting hardware.

Catalog number

**NSYTSP450**



### Cut-out top roof plate

- Removable plate made from folded sheet steel.
- Optional installation of roof elevators for ventilation, catalog no. **NSYEX206**, cable-gland plates and fans.
- Material: steel painted with epoxy-polyester resin, RAL 7035 gray.



Supply: one cut-out top roof plate and mounting hardware.

Catalog number

**NSYTSPV450**



### Roof plate elevators for ventilation

- Columns with a height of 20 mm (0.8 in.).
- Mounted between the roof plate and the roof.



Supply: 100 units.



Catalog number by unit. Order in multiples of 100 (100, 200, 300...).

Catalog number

**NSYEX206**



### Plain cable-gland plate

- Mounted on the outside of the roof.
- Can be combined with other types of cable-gland plates.
- Material: galvanized steel.



Supply: one plain cable-gland plate and mounting hardware.

Catalog number

**NSYEC440**


# Electronic applications

## Accessories



### Cable-gland plate with brush

- Mounted on the outside of the roof.
- Can be combined with other types of cable-gland plates.
- Material: galvanized steel.

 Supply: one cable-gland plate with brush and mounting hardware.


**Catalog number**

**NSYECP440**



### Self-ventilated cable-gland plate

- Mounted on the outside of the roof.
- Can be combined with other types of cable-gland plates.
- Material: galvanized steel.

 Supply: one self-ventilated cable-gland plate and mounting hardware.


**Catalog number**

**NSYECAV440**



### Ventilation plate with cut-outs, with or without fans, 120 mm (4.7 in.)

- Mounted on the outside of the roof.
- Can be combined with other types of cable-gland plates.
- Supplied with 2 or 3 fans, each with an output capacity of 170 m<sup>3</sup>/h, 220 V - 50/60 Hz, installed and wired to a terminal strip. A 2-m (78.7 in.) power cord is supplied connected.
- Sound level: 34 dB (A).


 Supply: one cable-gland plate with or without fans, 2-m (78.7 in.) power cord (version with fans) and mounting hardware.

Description	Catalog number
No fans, 3 positions	<b>NSYECVT3440</b>
With 3 fans	<b>NSYECVT3V440</b>
No fans, 2 positions	<b>NSYECVT2440</b>
With 2 fans	<b>NSYECVT2V440</b>



### Cable-gland filter

- For mounting on the cable-gland plate, with or without fan, or on the self-ventilated cable-gland plate.

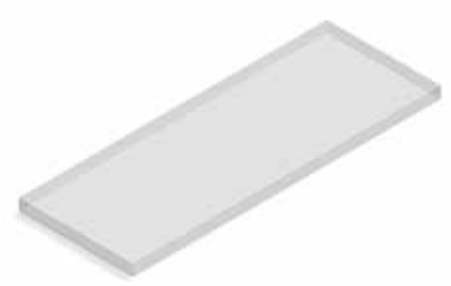
 Supply: one mounting support, color RAL 9011 graphite black, and filter.

**Catalog number**

**NSYFECVT440**

# Electronic applications

## Accessories



### Spare cable-gland filter

- Spare filter.



Supply: five filters.

**Catalog number**

**NSYCEFILS**

### Examples of possible combinations of cable-gland plates for the roof

Spacial SF dimensions: mm (in.)		Combination 1	Combination 2
Width	Depth		
600/800 (23.6/31.5)	600 (23.6)		
	800 (31.5)		
	1000 (39.4)		

# Electronic applications

## Accessories



### Ventilated roof

- Roof for providing natural ventilation for the enclosure, with IP30 protection.
- Material: steel.
- Height: adds an extra 63 mm (2.5 in.) to the height of the structure.
- Finish: painted with epoxy-polyester resin, RAL 7035 gray.

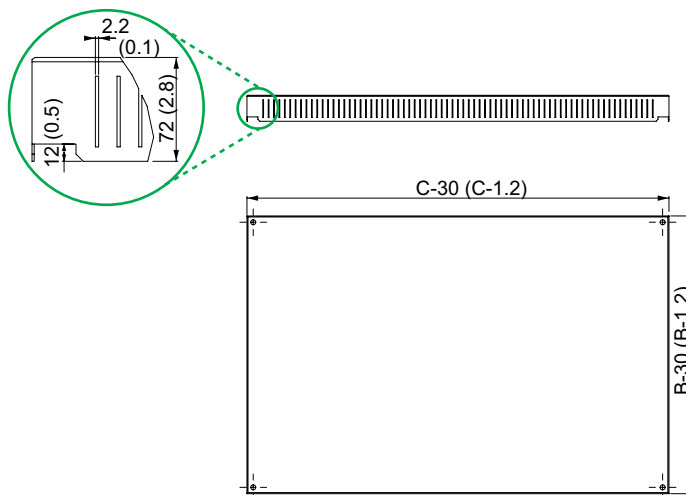


Supply: one ventilated roof and mounting hardware.

Nominal dimensions: mm (in.)		Catalog number
Width (B)	Depth (C)	
600 (23.6)	600 (23.6)	<b>NSYSVR606</b>
	800 (31.5)	<b>NSYSVR608</b>
800 (31.5)	600 (23.6)	<b>NSYSVR806</b>
	800 (31.5)	<b>NSYSVR808</b>

4

### Dimensions: mm (in.)




# Electronic applications

## Accessories



### Ventilated door for 19" racks

- Door designed to provide natural ventilation of the enclosure.
- For installation on enclosures with a width of 800 mm (31.5 in.), equipped with centered fixed or swing racks.
- Opening of 120°.
- Material: steel painted with epoxy-polyester resin, textured RAL 7035 gray.
- Standard locking system with handle and a 5-mm (0.2 in.) double-bar insert.

 Supply: one ventilated door for racks.

Nominal dimensions: mm (in.)		Single ventilated door catalog number	Double ventilated door catalog number
Height	Width		
1200 (47.2)	600 (23.6)	<b>NSYPCVD126</b>	<b>NSYPCV2D126</b>
	800 (31.5)	<b>NSYPCVD128</b>	<b>NSYPCV2D128</b>
1400 (55.1)	800 (31.5)	<b>NSYPCVD148</b>	<b>NSYPCV2D148</b>
1600 (63.0)	800 (31.5)	<b>NSYPCVD168</b>	<b>NSYPCV2D168</b>
1800 (70.9)	800 (31.5)	<b>NSYPCVD188</b>	<b>NSYPCV2D188</b>
2000 (78.7)	600 (23.6)	<b>NSYPCVD206</b>	<b>NSYPCV2D206</b>
	800 (31.5)	<b>NSYPCVD208</b>	<b>NSYPCV2D208</b>
2200 (86.6)	600 (23.6)	<b>NSYPCVD226</b>	<b>NSYPCV2D226</b>
	800 (31.5)	<b>NSYPCVD228</b>	<b>NSYPCV2D228</b>

4

### Transparent door for off-center racks

- Transparent door for installation in enclosures with off-center 19" racks.
- Shows only the devices mounted on the 19" rack.
- Opening of 120°.
- Lock with handle and 5-mm (0.2 in.) double-bar insert, four locking points.
  - 2 points, heights of 1200 and 1400 mm (47.2 and 55.1 in.).
  - 4 points, heights of 1600 to 2200 mm (63.0 and 86.6 in.).
- Door stop profile.
- Opening to the right or left.
- Width of the glass is 485 mm (19.1 in.), off-center by 77 mm (3.0 in.).
- Material: steel and Securit glass.
- Finish: painted with epoxy-polyester resin, RAL 7035 gray, textured.

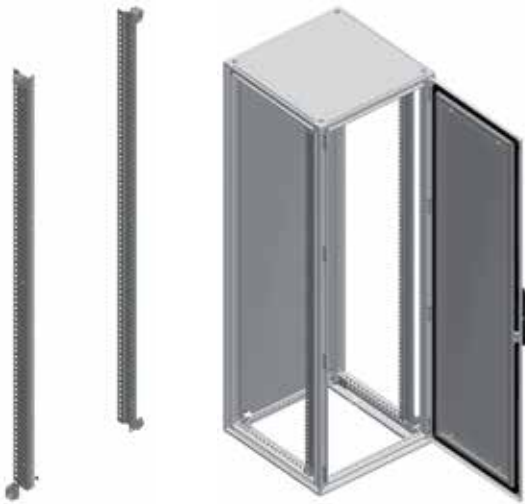
 Supply: one off-center transparent door.

Nominal dimensions: mm (in.)		Catalog number
Height	Width	
1200 (47.2)	800 (31.5)	<b>NSYED128T</b>
1400 (55.1)		<b>NSYED148T</b>
1600 (63.0)		<b>NSYED168T</b>
1800 (70.9)		<b>NSYED188T</b>
2000 (78.7)		<b>NSYED208T</b>
2200 (86.6)		<b>NSYED228T</b>

# Electronic applications

## Mounting accessories

4



### 19" fixed rack

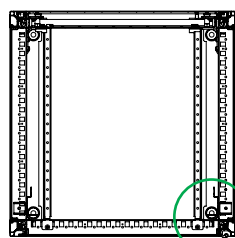
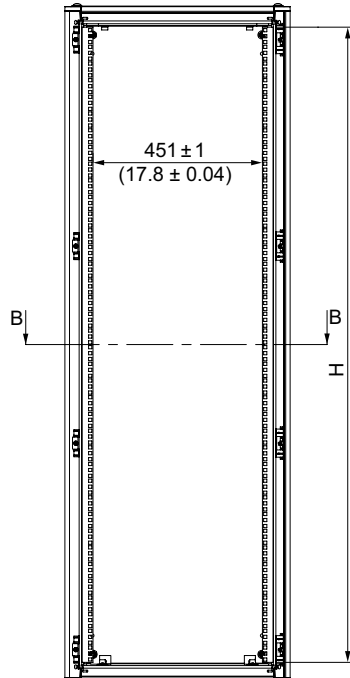
- Rack designed for installation in enclosures with a width of 600 mm (23.6 in.).
- **Spacial SF:** Direct mounting on the enclosure structure.
- For installation on enclosures with a width of 800 mm (31.5 in.), use the 19" fixed-rack support brackets.
- To reinforce the rigidity of the uprights in enclosures with a width of 800 mm (31.5 in.) and heights greater than 1800 mm (70.9 in.), it is advisable to use the central mounting kit, catalog no. **NSYRCK19KIT**.
- **Spacial SM:** Mounting on the top/bottom adjustment rails.
- Adjustable depth with a pitch of 25 mm (1.0 in.).
- Maximum load: 400 kg (881.8 lbs).
- Material: zinc-coated steel.



Supply: two uprights and mounting hardware.

Nominal dimensions: mm (in.)	No. of units (1)	Catalog number
Height	(H)	
1200 (47.2)	24	<b>NSYRCK24</b>
1400 (55.1)	29	<b>NSYRCK29</b>
1600 (63.0)	33	<b>NSYRCK33</b>
1800 (70.9)	38	<b>NSYRCK38</b>
2000 (78.7)	42	<b>NSYRCK42</b>
2200 (86.6)	47	<b>NSYRCK47</b>

### Dimensions: mm (in.)



(1) Unit (U) = 44.45 mm (1.8 in.).


B-B

# Electronic applications

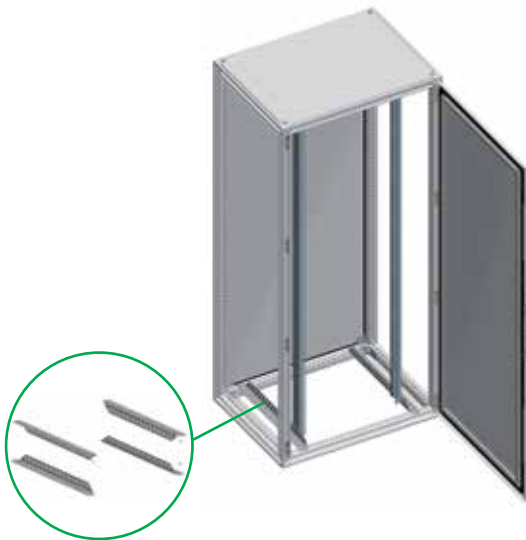
## Mounting accessories

### Support brackets for 19" fixed rack with a width of 800 mm (31.5 in.)

- Support brackets for installing the fixed rack in enclosures with widths greater than 600 mm (23.6 in.).
- The brackets allow the depth of the fixed rack to be adjusted with a pitch of 25 mm (1.0 in.).
- Maximum load: 400 kg (881.8 lbs).
- Material: zinc-coated steel.


 Supply: four support brackets and mounting hardware.

Nominal dimensions: mm (in.)		Catalog number
Depth		
600 (23.6)		<b>NSYRCKS6</b>
800 (31.5)		<b>NSYRCKS8</b>

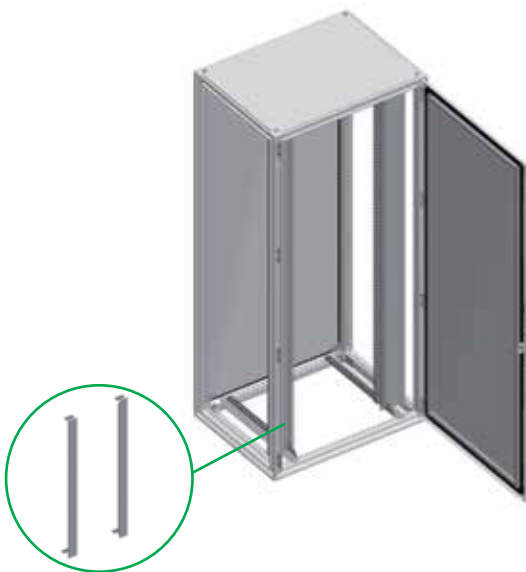


### Side plates of the centered fixed rack for a width of 800 mm (31.5 in.)

- Side plates for attachment to the fixed rack in enclosures with a width of 800 mm (31.5 in.).
- Direct installation on the rack with screws.
- Material: steel painted with epoxy-polyester resin, textured RAL 7035 gray.


 Supply: two side plates and mounting hardware.

Nominal dimensions: mm (in.)		Catalog number
Height	Width	
1200 (47.2)	800 (31.5)	<b>NSYRC12</b>
1400 (55.1)		<b>NSYRC14</b>
1600 (63.0)		<b>NSYRC16</b>
1800 (70.9)		<b>NSYRC18</b>
2000 (78.7)		<b>NSYRC20</b>
2200 (86.6)		<b>NSYRC22</b>

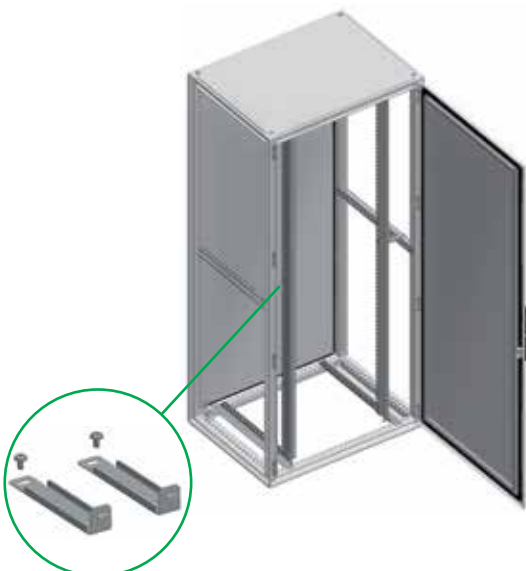


### Central mounting kit

- To reinforce the rigidity of the 19" fixed racks in enclosures with a width of 800 mm (31.5 in.).
- Mounted to the enclosure with cross rails or light cross rails installed depthwise. See page 8/38.
- Material: zinc-coated steel.

 Supply: two supports and mounting hardware.

Catalog number
<b>NSYRCK19KIT</b>





# Electronic applications

## Mounting accessories



Figure 1

### Partial 19" fixed rack

- Rack designed for installation in enclosures with a width of 600 mm (23.6 in.).
- Installation options (**Spacial SF**):
  - Installation at the top front of the enclosure, no cross rails needed (figure 1).
  - For depth adjustment, two cross rails must be installed. See page 8/35.
  - For installation at any other height, four cross rails installed depthwise are required (figure 2).
- Installation options (**Spacial SM**):
  - At the top of the enclosure (figure 1): install two cross rails depthwise. See page 8/30.
  - For installation at any other height (figure 2): install four cross rails depthwise.
  - To install the cross rails depthwise, the vertical adaptation profile and a 40-mm (1.6 in.) universal cross rail (1 row) are required, installed vertically in the back of the enclosure.
- Adjustable depth with a pitch of 25 mm (1.0 in.).
- Maximum load: 2 kg/U (4.4 lbs/U) (1).
- Material: zinc-coated steel.



Supply: two uprights and mounting hardware.

Rack height: mm (in.)	No. of units (1)	Catalog number
200 (7.9)	4	<b>NSYRCKP4</b>
400 (15.7)	8	<b>NSYRCKP8</b>
600 (23.6)	12	<b>NSYRCKP12</b>
800 (31.5)	17	<b>NSYRCKP17</b>
1000 (39.4)	21	<b>NSYRCKP21</b>
1200 (47.2)	26	<b>NSYRCKP26</b>

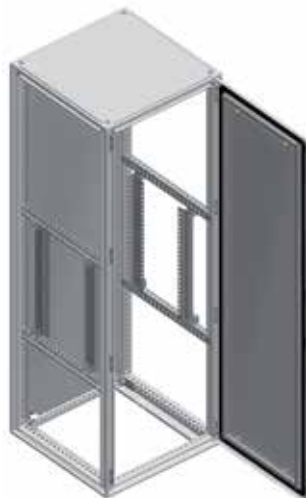


Figure 2


(1) Unit (U) = 44.45 mm (1.8 in.).

# Electronic applications

## Mounting accessories

### 19" swing racks for 800 mm (31.5 in.) enclosures

- Racks prepared for direct mounting on enclosures with a width of 800 mm (31.5 in.).
  - **Spacial SF:** mounted to the enclosure structure.
  - **Spacial SM:** mounted on the top/bottom adjustment rails.
  - Can be moved depthwise with a pitch of 25 mm (1.0 in.).
  - Maximum load: 3 kg/U (6.6 lbs/U) (1).
  - Maximum opening: 120° (possibility of opening to 180° using 180° hinges).
  - Reversible opening direction, left or right.
  - Handle opening system with ball lock.
  - Maximum equipment installation depth:
- Off-center 19" swing rack:
- 120° = 470 mm (18.5 in.).
  - 180° = 425 mm (16.7 in.).
- Centered 19" swing rack:
- 120° = 390 mm (15.4 in.).
  - 180° = 345 mm (13.6 in.).
- **Spacial SF:** multiple installation options in enclosures with widths greater than 800 mm (1000, 1200 or 1600 mm) [greater than 31.5 in (39.4, 47.2 or 63.0 in.)], by using universal or quick-mounting cross rails, see pages 8/35 and 8/37.
  - **Spacial SM:** option for installing the racks in enclosures with a width of 1600 mm (63.0 in.) by using universal or quick-mounting cross rails, see pages 8/35 and 8/37.
  - Components:
    - Zinc-coated steel central structure.
    - Side plate made from steel painted with epoxy-polyester resin, textured RAL 7035 gray. Mounted to the central structure with screws.
  - The cross rail of the double-folded rack increases the installation options.
  - Rear mounting uses self-tapping M6 screws. Side mounting is possible with quick-installation accessories (figure 1).
  - Lateral adjustment is possible with the rack installed and loaded.

-  Supply:
- Off-center 19" swing rack: hinged rack, 800-mm (31.5 in.) swing rack supports, side lid with ball-lock handle and mounting hardware.
  - Centered 19" swing rack: swing rack, 800-mm (31.5 in.) swing rack supports, side plates with ball-lock handle and mounting hardware.

Nominal dimensions: mm (in.)		No. of units (1)	Off-center 19" hinged rack catalog number	Centered 19" hinged rack catalog number
Height (A)	Width (B)			
1400 (55.1)	800	27	<b>NSYRSW27</b>	<b>NSYRSWC27</b>
1600 (63.0)		31	<b>NSYRSW31</b>	<b>NSYRSWC31</b>
1800 (70.9)		36	<b>NSYRSW36</b>	<b>NSYRSWC36</b>
2000 (78.7)		40	<b>NSYRSW40</b>	<b>NSYRSWC40</b>
2200 (86.6)		45	<b>NSYRSW45</b>	<b>NSYRSWC45</b>



Figure 1

> **Advantage:**

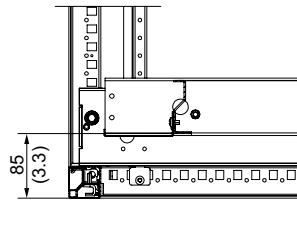
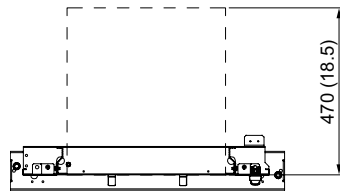
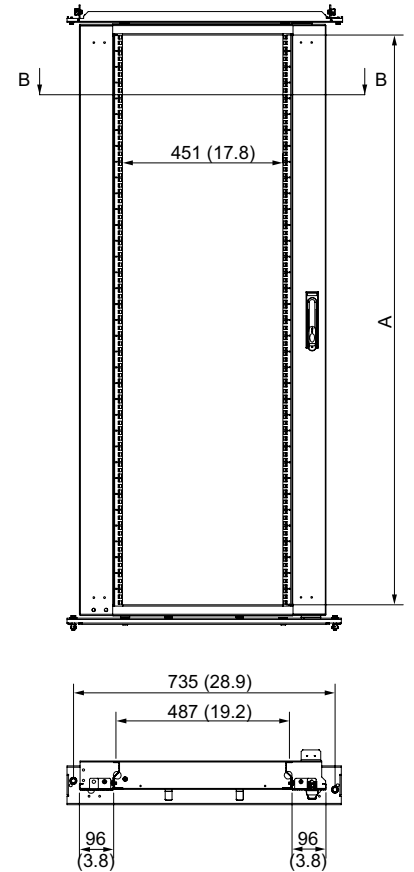
It is possible to adjust the height with the rack installed and loaded.

(1) Unit (U) = 44.45 mm (1.8 in.).

# Electronic applications

## Mounting accessories

Dimensions: mm (in.) for 19" swing racks for 800 mm (31.5 in.) enclosures




B-B

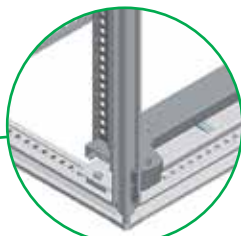
4

### 180° hinge

- Hinges for installation on centered and off-center 19" swing racks.
- The hinges allow the swing rack to be opened to 180°.
- Mounted directly to the swing rack with M8 screws.
- Maximum equipment installation depth:
  - Off-center 19" swing rack: 425 mm (16.7 in.).
  - Centered 19" swing rack: 345 mm (13.6 in.).
- Material: zamak 5.

 Supply: two hinges and mounting hardware.

**Catalog number**  
NSYRSWH180



# Electronic applications


## Mounting accessories



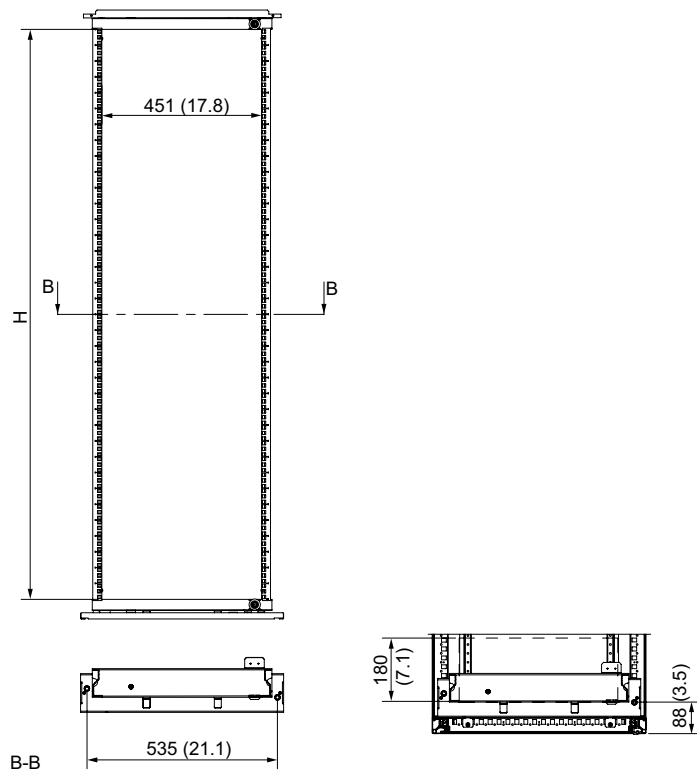
### 19" swing rack with no panels

- For installation in enclosures with widths of 600 and 800 mm (23.6 and 31.5 in.).
- For both enclosure widths, a 19" swing rack support is required, catalog no. **NSYRSW6** or **NSYRSW8**, see page 4/108.
- **Spacial SF**: mounted to the enclosure structure at any height using supports for 19" swing racks.
- **Spacial SM**: mounted to the enclosure on the top/bottom adjustment rails using supports for 19" swing racks.
- Can be moved depthwise with a pitch of 25 mm (1.0 in.).
- Maximum load: 3 kg/U (6.6 lbs/U) (1).
- Maximum opening: 120°.
- Maximum equipment installation depth: 180 mm (7.1 in.), in enclosures with a width of 600 mm (23.6 in.).
- **Spacial SF**: multiple installation options in enclosures with widths greater than 800 mm (1000, 1200 and 1600 mm) [greater than 31.5 in (39.4, 47.2 or 63.0 in.)], by using universal or quick-mounting cross rails, in addition to the 19" swing rack support. See pages 8/35 and 8/37 for cross rails.
- **Spacial SM**: option for installing two racks in enclosures with widths of 1200 and 1600 mm (47.2 and 63.0 in.).
- For enclosures with a width of 1200 mm (47.2 in.), top/bottom adjustment rails are necessary, in addition to the 19" swing rack support.
- Material: zinc-coated steel.
- Reversible opening direction, left or right.
- Locking system, top and bottom, with 5-mm (0.2 in.) double-bar key.



 Supply: one 19" swing rack with no panels.

Nominal dimensions: mm (in.)		No. of units (1) (H)	Catalog number
Height	Width (B)		
1400 (55.1)	600/800 (23.6/31.5)	27	<b>NSYRSW627</b>
1600 (63.0)		31	<b>NSYRSW631</b>
1800 (70.9)		36	<b>NSYRSW636</b>
2000 (78.7)		40	<b>NSYRSW640</b>
2200 (86.6)		45	<b>NSYRSW645</b>



(1) Unit (U) = 44.45 mm (1.8 in.).

# Electronic applications

## Mounting accessories



### 19" swing rack support

- Support for installing the 19" swing rack in enclosures with widths of 600 and 800 mm (23.6 and 31.5 in.) in off-center position.
- In enclosures with a width of 800 mm (31.5 in.), the rack can be installed centered or off-center.
- Adjustable depth with a pitch of 25 mm (1.0 in.).
- Material: steel painted with epoxy-polyester resin, textured RAL 7035 gray.



Supply: 2 supports and mounting hardware.

Nominal dimensions: mm (in.)	Catalog number
Width	
600 (23.6)	<b>NSYRSWS6</b>
800 (31.5)	<b>NSYRSWS8</b>



# Electronic applications

## Mounting accessories

### Examples of alternatives for 19" swing racks



19" swing rack in enclosure with a width of 600 mm (23.6 in.).



Off-center 19" swing rack in enclosure with a width of 800 mm (31.5 in.).



Centered 19" swing rack in enclosure with a width of more than 800 mm (31.5 in.).

# Electronic applications

## Mounting accessories



### Partial 19" swing rack

- Rack for installation in enclosures with widths of 600 and 800 mm (23.6 and 31.5 in.).
- In enclosures with a width of 800 mm (31.5 in.), the rack can be installed centered or off-center.
- **Spacial SF:** Mounted to the highest position of the enclosure with supports for partial 19" swing rack.
- **Spacial SM:** Mounted to the highest position of the enclosure with supports for partial 19" swing rack and vertical adaptation profiles.
- For height or depth adjustment, with a pitch of 25 mm (1.0 in.), two 65-mm (2.6 in.) (2 rows) universal cross rails and a 19" multiple bracket, catalog no. **NSYMBR19**, are required. For height and depth adjustment, four cross rails are required. See universal cross rails, page **8/35**.
- **Spacial SM:** to install the cross rails depthwise, the vertical adaptation profile and two 40-mm (1.6 in.) universal cross rails (1 row) are required, installed vertically in the back of the enclosure.
- Maximum load: 2 kg/U (4.4 lbs/U) (1).
- Maximum opening: 120°.
- Material: zinc-coated steel.
- Reversible opening direction, left or right.
- Locking system, top and bottom, with 5-mm (0.2 in.) double-bar key.
- Maximum equipment installation depth: 180 mm (7.1 in.), in enclosures with a width of 600 mm (23.6 in.).

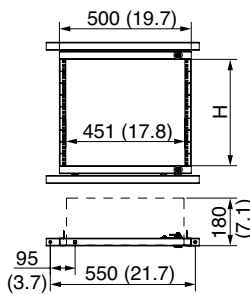


Supply: one partial 19" swing rack.

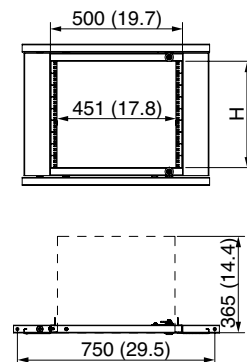
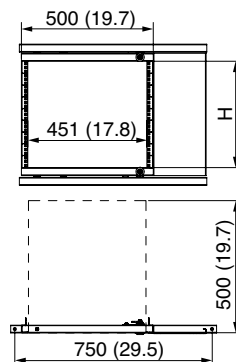
Rack height: mm (in.)	Nominal dimensions: mm (in.)	No. of units (1) (H)	Catalog number
	Width (B)		
355 (14.0)	600/800 (23.6/31.5)	6	<b>NSYRSWP6</b>
468 (18.4)		9	<b>NSYRSWP9</b>
601 (23.7)		12	<b>NSYRSWP12</b>
735 (28.9)		15	<b>NSYRSWP15</b>
868 (34.2)		18	<b>NSYRSWP18</b>
1002 (39.4) (2)		21	<b>NSYRSWP21</b>

(1) Unit (U) = 44.45 mm (1.8 in.).

(2) Optional installation in enclosures with height of 1200 mm (47.2 in.).



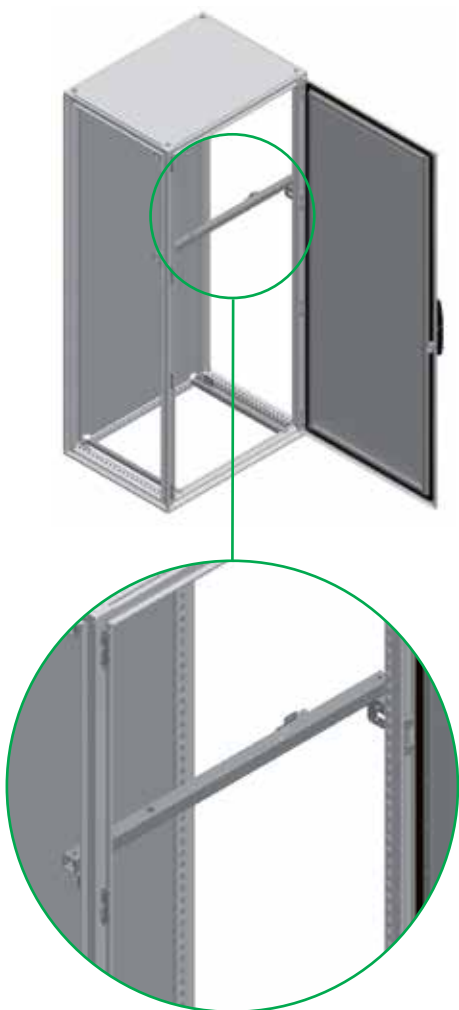
Partial 19" swing rack for enclosures with a width of 600 mm (23.6 in.).



Partial 19" swing rack, off-center and centered, for enclosures with a width of 800 mm (31.5 in.).


# Electronic applications

## Mounting accessories



### Partial 19" swing rack support

- Supports for coupling the partial swing rack to enclosures with widths of 600 and 800 mm (23.6 and 31.5 in.).
- Installation of the rack in centered or off-center position, for enclosures with a width of 800 mm (31.5 in.).
- **Spacial SF**: direct mounting to the structure.
- **Spacial SM**: mounted to the enclosure with the vertical adaptation profile, see page 8/33.
- Height or depth adjustment, with a pitch of 25 mm (1.0 in.), with two 65-mm (2.6 in.) (2 rows) universal cross rails and a 19" multiple bracket, catalog no. **NSYMBR19**.
- Material: zinc-coated steel.


 Supply: two supports and mounting hardware.

Nominal dimensions: mm (in.)	Catalog number
Width	
600 (23.6)	<b>NSYRSWSP6</b>
800 (31.5)	<b>NSYRSWSP8</b>



### 19" multiple bracket

- Bracket for mounting 65-mm universal cross rails (2 rows), depthwise, to position the partial 19" swing rack in any direction, up and down and/or depthwise.
- Material: zinc-coated steel.

 Supply: four brackets and mounting hardware.



Catalog number
<b>NSYMBR19</b>




# Electronic applications

## Mounting accessories



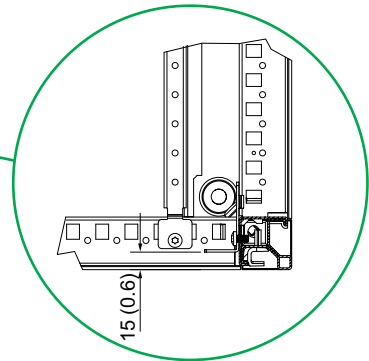
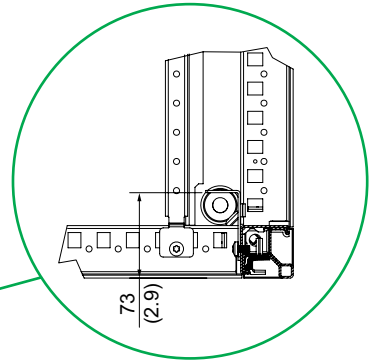
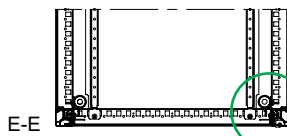
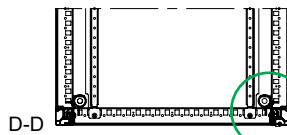
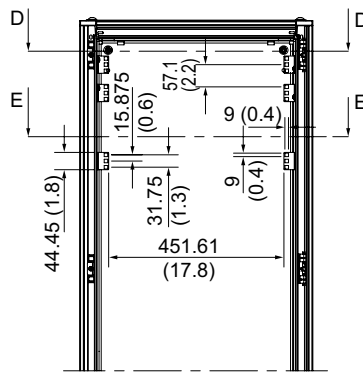
### 1 U / 3 U support (1)

- Support prepared for installing equipment 1 U or 3 U high.
- Designed with quick locking for easy installation.
- **Spacial SF**: direct mounting to the structure.
- **Spacial SM**: mounted to the enclosure with the vertical adaptation profile, see page 8/33.
- Material: zinc-coated steel.

 Supply: four 1 U / 3 U supports (2 units right and 2 units left) and mounting hardware.


**Catalog number**  
NSYRC1U

4



### 19" rack rail

- Rails for installation on fixed or swing racks.
- Direct mounting on the enclosure structure, by quick locking.
- Maximum load: 15 kg (33.1 lbs).
- Material: zinc-coated steel.
- Thickness: 1.2 mm (0.05 in.).

 Supply: two rails and mounting hardware.

**Catalog number**  
NSYGB140

(1) Unit (U) = 44.45 mm (1.8 in.).


# Electronic applications

## Mounting accessories



### Rear cable-guide support

- Supports for installation on the rear of the swing racks.
- Suitable for mounting cable-guide accessories.
- Allow vertical mounting of cable ducts.
- Adjustable depth, with a pitch of 44.45 mm (1.8 in.).
- Material: zinc-coated steel.


 Supply: two cable-guide supports, crossbar and mounting hardware.

Service depth: mm (in.)	Catalog number
150 (5.9)	<b>NSYRCSUP15</b>
250 (9.8)	<b>NSYRCSUP25</b>



### Cable duct mounts for 19" racks

- Allows vertical mounting of cable ducts for cable guide.
- Service depth: 150 mm (5.9 in.).
- Mounted with quick locking to the 19" rack profile.
- Material: zinc-coated steel.

 Supply: three units and mounting hardware.

Catalog number
<b>NSYRCDFIX</b>



# Electronic applications

## Door accessories



### 120° mechanical door stop

- Door stop for installation on the swing racks.
- Direct mounting to the rack support and the 19" rack.
- Maximum opening: 120°.



Supply: one mechanical door stop and mounting hardware.

Catalog number

NSYRCDR12



### 180° pneumatic door stop

- Door stop for installation on the swing racks installed with 180° hinges.
- **Spacial SF**: mounted to the base of the structure and to the rack.
- **Spacial SM**: direct mounting to the rack support and to the 19" rack.
- Maximum opening: 180°.



Supply: one pneumatic door stop and mounting hardware.

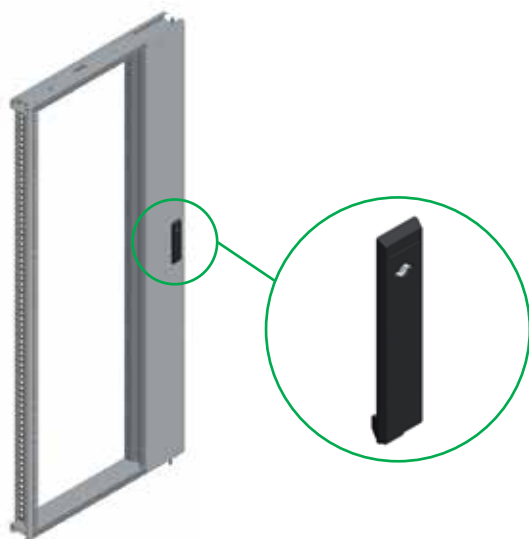
Catalog number

NSYRCDR18




# Electronic applications

## Door accessories



### Flat escutcheon for 19" swing rack

- Flat escutcheon with 5-mm double-bar insert lock, for installation on 19" swing racks.

 Supply: one flat escutcheon, 5-mm (0.2 in.) double-bar insert and mounting hardware.


**Catalog number**

**NSYRCLOCK**



### Switch for 19" swing rack

- Switch for direct mounting on the bottom or top support of the swing rack.
- M20 connection.
- Open + closed contact, 10 A / 500 V.

 Supply: one 19" swing rack switch and mounting hardware.


**Catalog number**


**NSYRCINT**



### Mounting hardware for 19" racks




- Hardware required for mounting switchgear on 19" racks. Includes:
  - Screws.
  - Washers.
  - Nuts.

 Supply: 50 units of each.

 Catalog number by unit. Order in multiples of 50 (50, 100, 150...).

Thread type	Catalog number
M5	<b>NSYGFR95M55</b>
M6	<b>NSYGFR95M65</b>



	<b>Overview</b> .....	5/2
	<b>Spacial® S3X</b> Stainless-steel wall-mounting enclosures.....	5/4
	Characteristics .....	5/6
	Dimensions .....	5/7
	Selection guide.....	5/8
	Accessories .....	5/9
	<b>Spacial S3XEX</b> for potentially explosive atmospheres .....	5/12
	Characteristics .....	5/14
	Selection guide.....	5/14
	Dimensions .....	5/15
	<b>Spacial SMX</b> Stainless-steel monobloc floor-standing enclosures .....	5/16
	Characteristics .....	5/18
	Selection guide.....	5/18
	Dimensions .....	5/19
	<b>Spacial SFX</b> Stainless-steel modular enclosures.....	5/20
	Characteristics .....	5/22
	Selection guide.....	5/22
	Dimensions .....	5/23
	<b>Accessories</b> .....	5/24
	Stainless-steel accessories .....	5/26

# Stainless steel: made to withstand aggressive environments.



## How is the stainless steel grade determined?

These enclosures are designed for industries with particularly demanding hygiene and corrosion resistance requirements, such as chemical, oil, and food and beverage applications.

The following table shows the percentages of the main alloy elements that make up stainless steels. The resistance of the material to aggressive agents in the environment depends mainly on these alloys.

Stainless-steel type		Chemical composition (%)			
AISI grade	N. Europe	carbon	chromium	nickel	molybdenum
304L	1.4307	< 0.03	17–19	8–10	0
316L	1.4404	< 0.03	17–19	10–13	2–2.25

## Choosing a stainless steel grade

### AISI 304L stainless steel (known as food and beverage stainless steel)

The most commonly used type in the food and beverage industry for its resistance to corrosion and ease of cleaning.

- Helps prevent corrosion, especially in the presence of organic acids.
- Resists the action of nitrous gas in the presence of condensation water and in most aggressive environments.

### AISI 316L stainless steel (known as marine stainless steel)

Recommended for salty or chlorinated environments because of its excellent resistance to corrosion due to the presence of molybdenum.

- Improved resistance to corrosion.
- Particularly well suited for environments charged with acidity, bromine and saline halides, or applications that use additives and solvents.



## The finish: 3 solutions against aggressive environmental agents

Surface condition plays an important role in the fight against bacteria. The lower the surface roughness, the fewer the bacteria that become encrusted. Reduced roughness means fewer bacteria, less adherence of materials and an impeccable finish.



### Solution 1: Brushing

The brushing method is as defined by the ASTM (American Society for Testing and Material).

- The finish commonly used for the chemical and food and beverage industries.
- Surface roughness is reduced thanks to an additional polishing process which offers greater resistance to polluting elements.
- Surface roughness,  $Ra \leq 0.8 \mu m$ .



### Solution 2: Micro-beading (on request)

An impeccable finish with a silky smooth appearance.

**The method:**

- The entire surface is bombarded with miniscule ceramic balls at a very high speed.
- Closes micro-cracks caused during lamination by flattening.

**The result:**

- Increased hardness.
- Reduced surface roughness ( $Ra \approx 0.8 \mu m$ ).
- A smooth, even surface, with a silky appearance.
- Reduces the adherence of materials.
- Allows disinfection.

Typical applications: pharmaceutical and food and beverage industries.



### Solution 3: Protective painting (on request)

The highest protection against aggressive environments, external pollution and projections of metal particles.

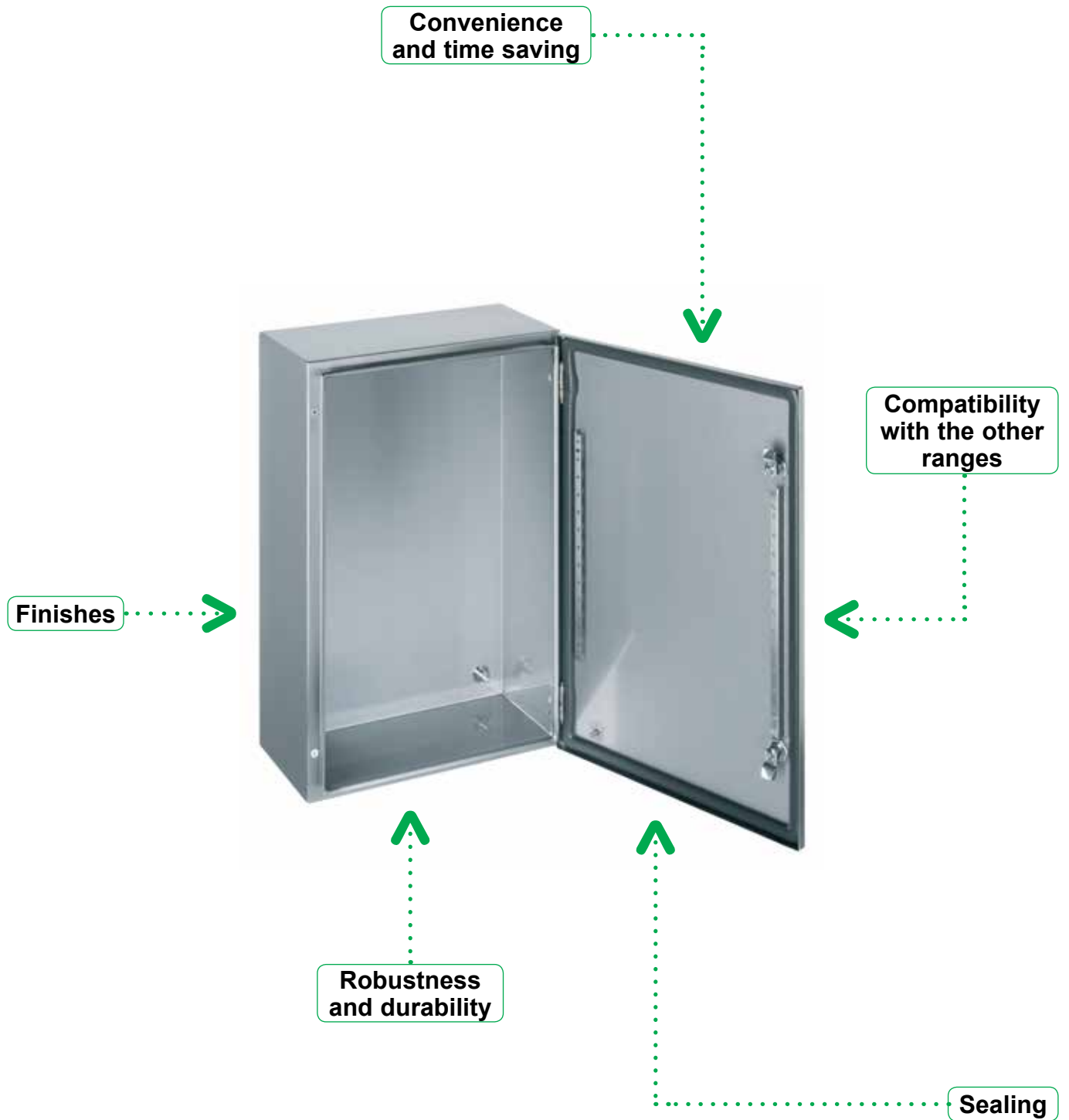
- Provides the ultimate protection against corrosion.

Typical applications: marine, seaside, off-shore.



# Stainless-steel wall-mounting enclosures

5



# Stainless-steel wall-mounting enclosures

## Finishes:

Two types of steel offered as standard: 304L and 316L, with brushed finish.  
Painted in the RAL range or micro-beaded finish (on request).



## Large range of accessories:

Stainless-steel accessories: canopy, wall-mounting lugs.  
Accessories for the standard offer: mounting plate, inner door, modular chassis and step slides.  
Large selection of locks with 100% stainless-steel transformation.



## Sealing:

Protection rating of IP66 (IEC 60529): helps ensure protection against dust and water sprays.  
Polyurethane gasket.  
Gutter-shaped front profile.  
Three closure points for the double door.



## Robustness and durability:

Resistance to external mechanical impacts:  
IK10: plain door,  
IK08: glazed door.  
Door reinforcement frame or profile.  
Stainless-steel hinges.



## Convenience and time saving:

304L or 316L stainless-steel wall-mounting lugs.  
Vertical reinforcement perforated profiles, which make it easier to equip the door.  
Reversible door opening to 120°.  
Easy installation directly on the machine thanks to the 4 rear drill holes.



# Stainless-steel wall-mounting enclosures

## Characteristics



5

### Technical characteristics

These enclosures are designed for industries with particularly demanding hygiene and corrosion resistance requirements, such as chemical, oil, and food and beverage applications.

- Two types of materials, with brushed finish, are available:
  - AISI 304L,
  - AISI 316L.
- Two wall-mounting enclosure versions are available:
  - With plain door,
  - With glazed door, Securit glass, 4 mm (0.2 in.) thick.
- Protection rating of IP66 for all single-door enclosures, both plain door and glazed door, IP55 for the double door enclosures, according to IEC 60529.
- Resistance to external mechanical impacts:
  - IK10 for the plain-door enclosures,
  - IK08 for the glazed-door enclosures.
- Thickness: 1.5 mm (0.06 in.).
- Single-piece body (cross-shaped structure). Gutter-shaped front profile.
- 4 rear studs for mounting.
- 2 cut-out vertical profiles on the door (from a height of 600 mm [31.5 in]), with drill holes with a diameter of 4.25 mm (0.2 in.) and a pitch of 25 mm (1.0 in.) for installing accessories.
- Door strengthening frame (from a height of 1000 mm [39.4 in]), cross-section of 20 mm × 15 mm (0.8 × 0.6 in.), with drill holes with a diameter of 5 mm (0.2 in.) and a pitch of 25 mm (1.0 in.).
- Standard lock with 3-mm (0.1 in.) double-bar lock (chrome-plated zamak).
- 2 locking points for heights greater than 500 mm (19.7 in.) or three points for two-door enclosures.
- Stainless-steel hinges screwed to the body of the enclosure make it easier to remove and invert the door. Opening angle: 120°.
- Polyurethane gasket.
- M6 × 16 screws on the door and on the body, allowing equipotential connection between the ground connections (on request).
- 4 holes for mounting to the wall directly or with mounting lugs (on request), blocked by sealing plugs.

### Certifications

- IEC 62208.
- UL 508A.
- CAN/CSA C22.2 No. 14.
- **NSYS3X** or **NSYS3XEX** single-door enclosures up to 1200 mm (47.2 in.) in height and 800 mm (31.5 in.) in width are rated Type 1, 2, 3, 3R, 4, 4X, 5, 12, and 13.
- **NSYS3X** or **NSYS3XEX** double-door enclosures up to 1200 mm (47.2 in.) in height and 1000 mm (39.4 in.) in width are rated 1, 12, and 12K.

# Stainless-steel wall-mounting enclosures

## Dimensions

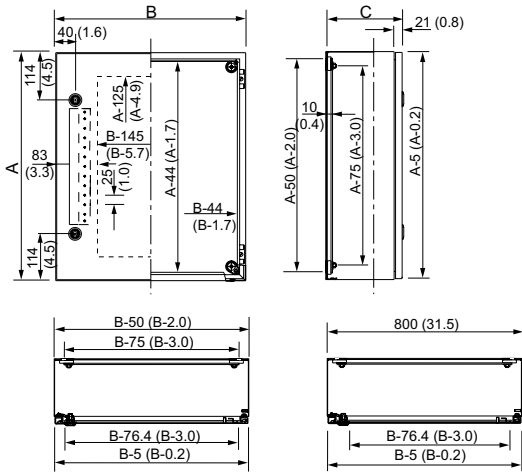


FIG. 2

External dimensions: mm (in.)			Fig.
A	B	C	
300 (11.8)	200 (7.9)	150 (5.9)	1
300 (11.8)	250 (9.8)	150 (5.9)	1
300 (11.8)	300 (11.8)	150 (5.9)	1
400 (15.7)	300 (11.8)	150 (5.9)	1
400 (15.7)	300 (11.8)	200 (7.9)	1
400 (15.7)	400 (15.7)	200 (7.9)	1
400 (15.7)	600 (23.6)	200 (7.9)	1
500 (19.7)	400 (15.7)	200 (7.9)	2 (1)
600 (23.6)	400 (15.7)	200 (7.9)	2
600 (23.6)	600 (23.6)	250 (9.8)	2
700 (27.6)	500 (19.7)	250 (9.8)	2
800 (31.5)	600 (23.6)	250 (9.8)	2
800 (31.5)	800 (31.5)	300 (11.8)	2
1000 (39.4)	800 (31.5)	300 (11.8)	3
1000 (39.4)	1000 (39.4)	300 (11.8)	4
1200 (47.2)	800 (31.5)	300 (11.8)	3
1200 (47.2)	1000 (39.4)	300 (11.8)	4

(1) Without door reinforcement.

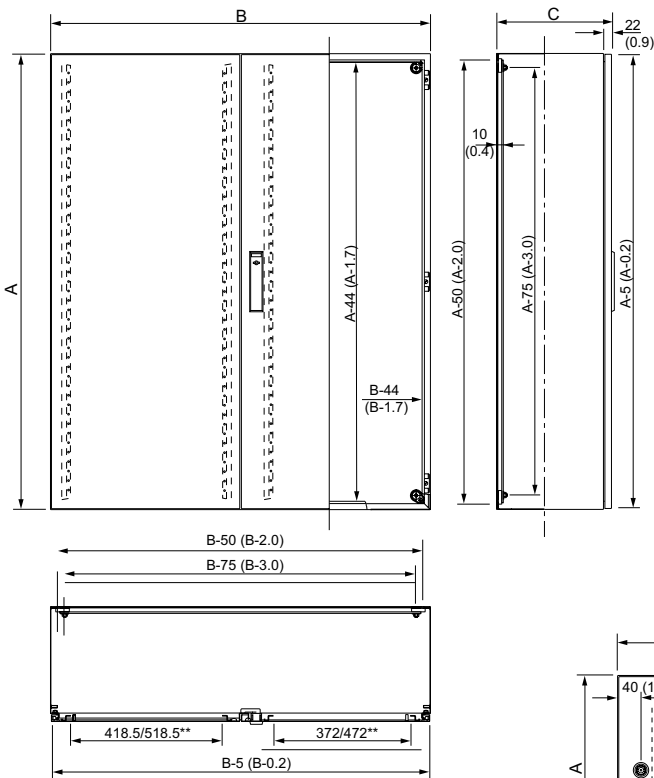


FIG. 4

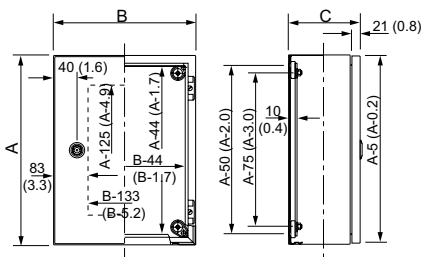


FIG. 1

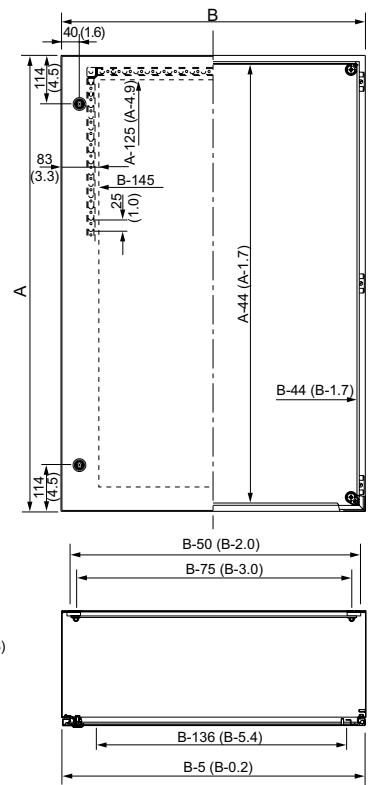


FIG. 3

\*\*For glazed door.



# Stainless-steel wall-mounting enclosures




## Selection guide



External dimensions: mm (in.)			No. of locks	No. of doors	304L stainless steel		316L stainless steel	304L stainless-steel canopy	Plain mounting plate (3)
Height	Width	Depth			Plain door	Glazed door (2)	Plain door		
300 (11.8)	200 (7.9)	150 (5.9)	1	1	NSYS3X3215	-	NSYS3X3215H	NSYTX2015	NSYMM32
300 (11.8)	250 (9.8)	150 (5.9)	1	1	NSYS3X302515	-	NSYS3X302515H	NSYTX2515	NSYMM3025
300 (11.8)	300 (11.8)	150 (5.9)	1	1	NSYS3X3315	-	NSYS3X3315H	NSYTX3015	NSYMM33
400 (15.7)	300 (11.8)	150 (5.9)	1	1	NSYS3X4315	-	NSYS3X4315H	NSYTX3015	NSYMM43
400 (15.7)	300 (11.8)	200 (7.9)	1	1	NSYS3X4320	NSYS3X4320T	NSYS3X4320H	NSYTX3020	NSYMM43
400 (15.7)	400 (15.7)	200 (7.9)	1	1	NSYS3X4420	-	NSYS3X4420H	NSYTX4020	NSYMM44
400 (15.7)	600 (23.6)	200 (7.9)	1	1	NSYS3X4620	-	NSYS3X4620H	NSYTX6020	NSYMM46
500 (19.7)	400 (15.7)	200 (7.9)	2	1	NSYS3X5420	NSYS3X5420T	NSYS3X5420H	NSYTX4020	NSYMM54
600 (23.6)	400 (15.7)	200 (7.9)	2	1	NSYS3X6420	NSYS3X6420T	NSYS3X6420H	NSYTX4020	NSYMM64
600 (23.6)	600 (23.6)	250 (9.8)	2	1	NSYS3X6625	-	NSYS3X6625H	NSYTX6025	NSYMM66
700 (27.6)	500 (19.7)	250 (9.8)	2	1	NSYS3X7525	NSYS3X7525T	NSYS3X7525H	NSYTX5025	NSYMM75
800 (31.5)	600 (23.6)	250 (9.8)	2	1	NSYS3X8625	NSYS3X8625T	NSYS3X8625H	NSYTX6025	NSYMM86
800 (31.5)	800 (31.5)	300 (11.8)	2	1	NSYS3X8830	-	NSYS3X8830H	NSYTX8030	NSYMM88
1000 (39.4)	800 (31.5)	300 (11.8)	2	1	NSYS3X10830	NSYS3X10830T	NSYS3X10830H	NSYTX8030	NSYMM108
1000 (39.4)	1000 (39.4)	300 (11.8)	(1)	2	NSYS3X101030	-	NSYS3X101030H	NSYTX10030	NSYMM1010
1200 (47.2)	800 (31.5)	300 (11.8)	2	1	NSYS3X12830	-	NSYS3X12830H	NSYTX8030	NSYMM128
1200 (47.2)	1000 (39.4)	300 (11.8)	(1)	2	NSYS3X121030	-	NSYS3X121030H	NSYTX10030	NSYMM1210

(1) Three-point closure system.  
 (2) The glazed door has no reinforcement.  
 (3) See other mounting plates in the accessories section.

5

Adhesive plastic document pocket	Door switch	Lighting
		
Page 8/94	Page 8/97	Page 8/90

# Accessories

## Canopy and mounting lugs

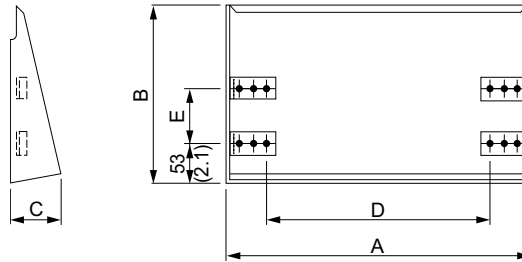


Configured

**Optional in-factory assembly:  
contact us.**

### Canopy

- Direct mounting to the body of the enclosure.
- 304L stainless-steel sheet, 1.5 mm (0.06 in.) thick, brushed finish.
- Delivered with the hardware required for installation.
- For other finishes and stainless steels, contact us.



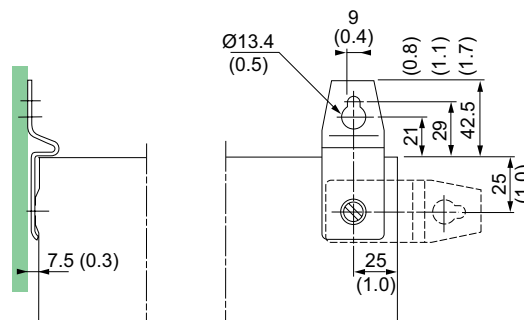
For wall-mounting enclosures: mm (in.)		Dimensions: mm (in.)					Canopy catalog number
Width	Depth	A	B	C	D	E	
200 (7.9)	150 (5.9)	205 (8.1)	183 (7.2)	51 (2.0)	120 (4.7)	-	<b>NSYTX2015</b>
250 (9.8)	150 (5.9)	205 (8.1)	183 (7.2)	51 (2.0)	120 (4.7)	-	<b>NSYTX2515</b>
300 (11.8)	150 (5.9)	305 (12.0)	183 (7.2)	51 (2.0)	220 (8.7)	-	<b>NSYTX3015</b>
300 (11.8)	200 (7.9)	305 (12.0)	233 (9.2)	51 (2.0)	220 (8.7)	70 (2.8)	<b>NSYTX3020</b>
400 (15.7)	200 (7.9)	405 (15.9)	233 (9.2)	70 (2.8)	320 (12.6)	70 (2.8)	<b>NSYTX4020</b>
500 (19.7)	250 (9.8)	505 (19.9)	283 (11.1)	70 (2.8)	420 (16.5)	120 (4.7)	<b>NSYTX5025</b>
600 (23.6)	200 (7.9)	605 (23.8)	233 (9.2)	70 (2.8)	520 (20.5)	70 (2.8)	<b>NSYTX6020</b>
600 (23.6)	250 (9.8)	605 (23.8)	283 (11.1)	70 (2.8)	520 (20.5)	120 (4.7)	<b>NSYTX6025</b>
800 (31.5)	300 (11.8)	805 (31.7)	333 (13.1)	70 (2.8)	720 (28.3)	170 (6.7)	<b>NSYTX8030</b>
1000 (39.4)	300 (11.8)	1005 (39.6)	333 (13.1)	70 (2.8)	920 (36.2)	170 (6.7)	<b>NSYTX10030</b>



### Wall-mounting lugs

- Set of four 304L or 316L stainless-steel wall-mounting lugs.
- Wall-mounting lugs can be positioned horizontally or vertically.
- Mounting from the outside.
- Maximum load: horizontal 180 kg (396.8 lbs) and vertical 350 kg (771.6 lbs).

Stainless-steel type	Catalog number
304L	<b>NSYPFCX</b>
316L	<b>NSYPFC2X</b>



# Accessories

## Locking system

### Escutcheon

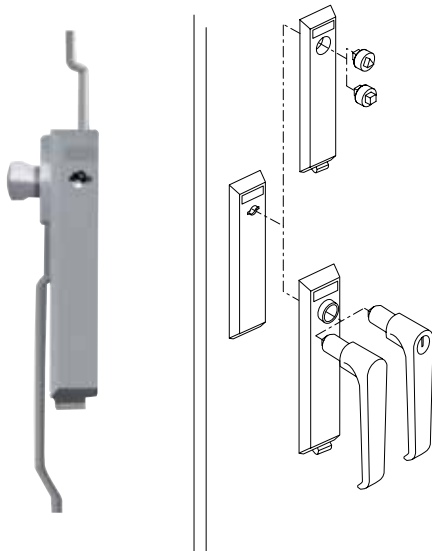
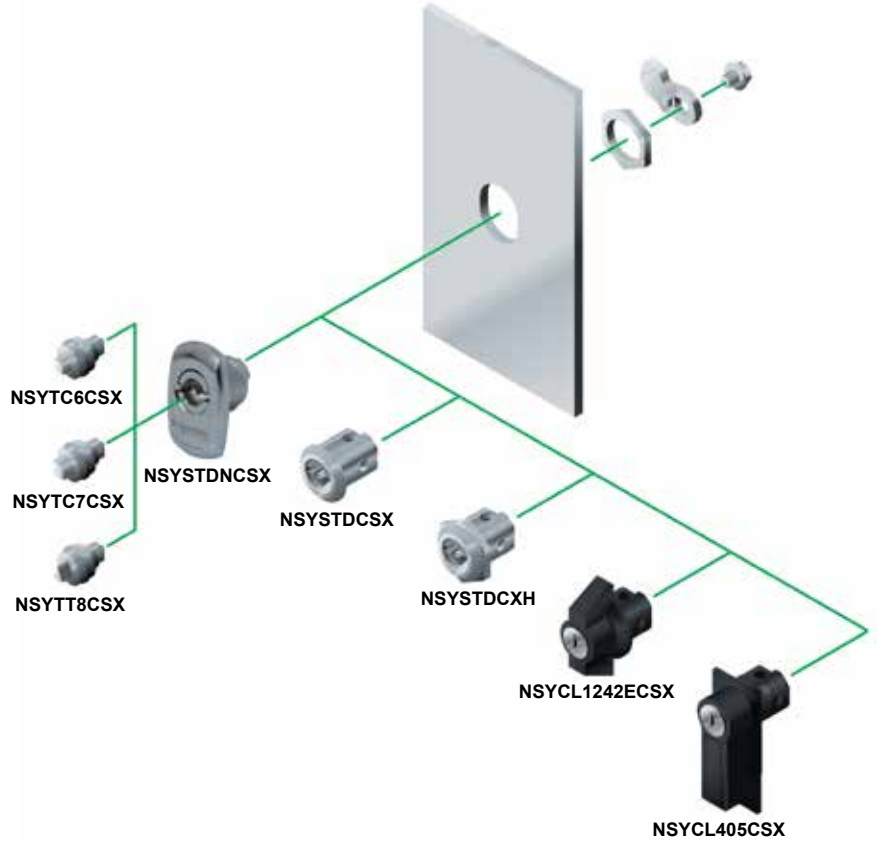
- Wall-mounting enclosure supplied with 3-mm double-bar chrome-plated zamak lock.
- Protection rating: IP66.

#### Standard escutcheon

3-mm (0.1 in.) double-bar lock (chrome-plated zamak as standard).



**NSYSTDNCSX**



For double-door enclosures, contact us.

Description	Material	Catalog number
Standard 3-mm (0.1 in.) double-bar lock	Chrome-plated zamak	<b>NSYSTDNCSX</b>
Round 3-mm (0.1 in.) double-bar lock (spare)	Chrome-plated zamak	<b>NSYSTDCSX</b>
Round 3-mm (0.1 in.) double-bar lock	100% stainless steel	<b>NSYSTDCXH</b>
8-mm (0.3 in.) triangular insert	100% stainless steel	<b>NSYTT8CSX</b>
7-mm (0.3 in.) square insert	100% stainless steel	<b>NSYTC7CSX</b>
6-mm (0.2 in.) square insert	100% stainless steel	<b>NSYTC6CSX</b>
1242E handle lock	Chrome-plated	<b>NSYCL1242ECSX</b>
405 handle lock	Polyamide	<b>NSYCL405CSX</b>



Configured

**Optional in-factory assembly: contact us.**

# Accessories

## Doors



### Inner door

- 3-mm (0.1 in.) double-bar lock.
- The inner door can be mounted on the front side of the enclosure or on step slides (not supplied as standard).
- Maximum load: 30 kg/m<sup>2</sup>.
- As standard, the inner door and a mounting plate can be installed together on step slides.
- Not compatible with door retainer and door switch. Contact us.

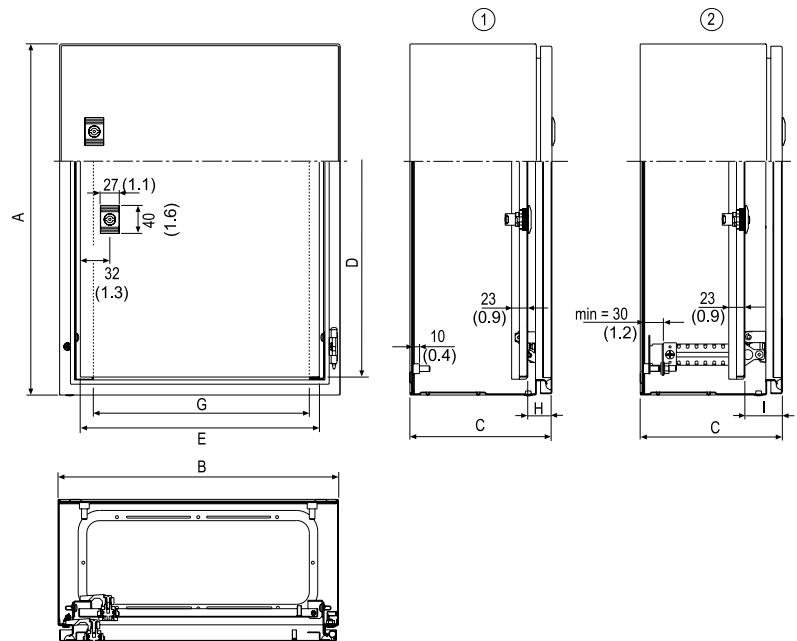


Supply: 1 inner door

For wall-mounting enclosures		Catalog number	D	E	G	H	I min.
Height (A): mm (in.)	Width (B): mm (in.)						
400 (15.7)	300 (11.8)	<b>NSYPIN43</b>	349 (13.7)	241 (9.5)	208 (8.2)	32 (1.3)	51 (2.0)
500 (19.7)	400 (15.7)	<b>NSYPIN54</b>	449 (17.7)	341 (13.4)	308 (12.1)	32 (1.3)	51 (2.0)
600 (23.6)	400 (15.7)	<b>NSYPIN64</b>	549 (21.6)	341 (13.4)	308 (12.1)	32 (1.3)	51 (2.0)
700 (27.6)	500 (19.7)	<b>NSYPIN75</b>	649 (25.6)	441 (17.4)	408 (16.1)	32 (1.3)	51 (2.0)
800 (31.5)	600 (23.6)	<b>NSYPIN86</b> (1)	749 (29.5)	541 (21.3)	508 (20.0)	32 (1.3)	51 (2.0)
1000 (39.4)	800 (31.5)	<b>NSYPIN108</b> (1)	949 (37.4)	741 (29.2)	708 (27.9)	32 (1.3)	51 (2.0)
1200 (47.2)	800 (31.5)	<b>NSYPIN128</b> (1)	1149 (45.2)	741 (29.2)	708 (27.9)	32 (1.3)	52 (2.0)

(1) Equipped with welded vertical profiles to facilitate cable management.

### Spacial S3X stainless-steel enclosures dimensions



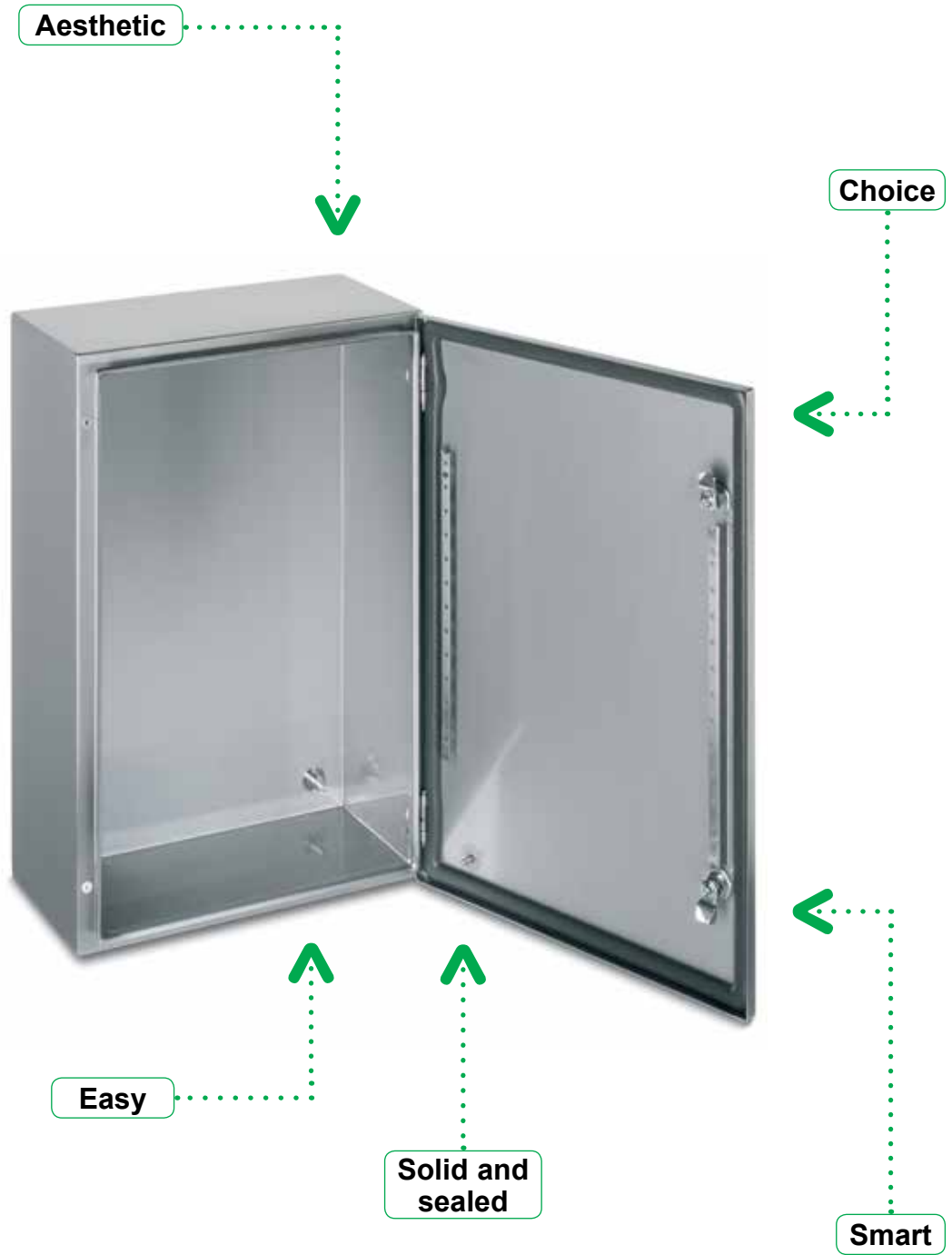
① NSYPIN inner door mounted directly to the enclosure.

② NSYPIN inner door mounted to the adjustable NSYSDCR support. In this case, both the inner door and the mounting plate are depth adjustable.



# Spacial S3XEX compliant with the ATEX directive

5



# Spacial S3XEX compliant with the ATEX directive

## Aesthetic:

Stainless-steel enclosure with no cut-out.  
Brushed finish.  
Monobloc body with a cross-shaped structure.

## Choice:

Plain door: 7 models.  
Plain mounting plate.  
Silk-screened mounting plate.  
Microperforated mounting plate.  
Telequick™ mounting plate.  
DIN rail chassis.

## Solid and sealed:

Resistance to external mechanical impacts: IK10.  
Protection rating: IP66. Polyurethane gasket.  
Gutter-shaped front profile.

## Smart:

3-mm (0.1 in.) double-bar lock as standard.  
Door rails cut-out with a pitch of 25 mm (1.0 in) allowing accessories to be mounted on the door.

## Easy:

The 4 mounting holes are blocked by four crimped blind nuts.  
The door can be easily removed and turned over to open towards the left.

## Convenient:

Large variety of accessories with the Spacial S3X range.  
Reusable packaging.



Blind nut for external ground connection (on request).



Grounding studs welded to the door and in the body.



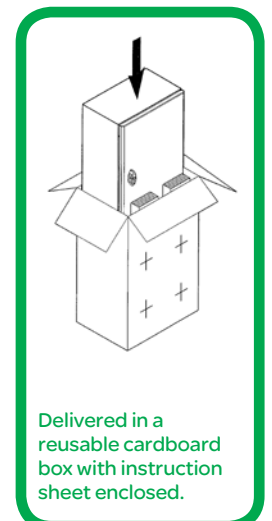
The mounting plates are mounted on 4 10-mm shouldered backstuds.



The 4 mounting holes are blocked by 4 crimped blind nuts.



Specific ATEX marking.



Delivered in a reusable cardboard box with instruction sheet enclosed.

# ATEX enclosures

## Characteristics



Download ATEX certificates and product sheets from our website.

### Technical characteristics

The Spacial ATEX range of stainless-steel enclosures is certified by the LOM with no. LOM 08ATEX3028U (component certificate).

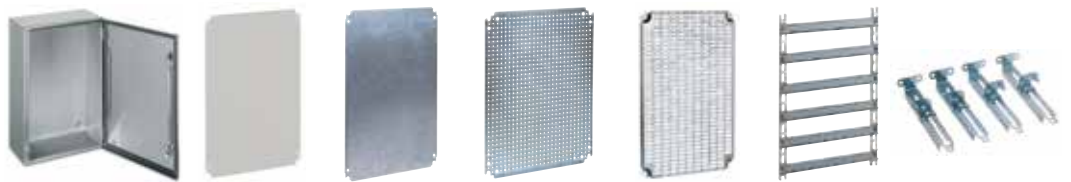
The enclosures have the following marks:  
 II 2 GD Ex e II Ex tD A21 IP66  
 according to ATEX directive 94/9/EC and standards EN 60079-0 (2004), EN 60079-7 (2006), EN 61241-0 (2005) and EN 61241-1 (2004).

- Stainless-steel material: AISI 304L with brushed finish.
- Plain door.
- Protection rating of IP66 according to IEC 60529.
- Resistance to external mechanical impacts of IK10 according to IEC 62262.
- Single-piece body (cross-shaped structure). Gutter-shaped front profile.
- 2 perforated vertical profiles on the door (from a height of 600 mm [23.6 in]), with drill holes with a diameter of 4.25 mm (0.2 in.) and a pitch of 25 mm (1.0 in.) for installing accessories.
- Door reinforcement frame (from a height of 1000 mm [39.4 in]), cross-section of 20 × 15 mm (0.8 × 0.6 in.), with drill holes with a diameter of 5 mm (0.2 in.) and a pitch of 25 mm (1.0 in.).
- Standard closure with 3-mm (0.1 in.) double-bar lock (chrome-plated zamak).
- 2 closure points for heights greater than 500 mm (19.7 in.).
- Stainless-steel hinges screwed onto the body of the enclosure make it easier to remove and invert the door. Opening angle: 120°.
- Polyurethane gasket.
- M6 × 16 screws on the door and on the body, allowing equipotential connection.
- The wall-mounting lugs are required; they are blocked by sealing plugs. The 4 mounting holes are blocked by 4 crimped blind nuts.
- One crimped M6 blind nut for an external ground connection (braided not supplied).
- Authorized ambient temperature limits:  
 -25 °C ≤ Ta ≤ +60 °C.

5

The required wall-mounting lugs:  
 - 304L stainless steel: catalog number **NSYPFCX**.  
 - 316L stainless steel: catalog number **NSYPFC2X**.

### Selection guide for wall-mounting enclosures and main accessories



External dimensions: mm (in.)			Enclosure catalog number	Mounting plate catalog number				DIN rail chassis	Step slides
Height	Width	Depth		Plain	Silk-screened	Microperforated	Telequick		
300 (11.8)	200 (7.9)	150 (5.9)	<b>NSYS3XEX3215</b>	<b>NSYMM32</b>	-	<b>NSYMF32</b>	<b>NSYMR32</b>	-	-
400 (15.7)	300 (11.8)	200 (7.9)	<b>NSYS3XEX4320</b>	<b>NSYMM43</b>	<b>NSYMS43</b>	<b>NSYMF43</b>	<b>NSYMR43</b>	<b>NSYMD43</b>	<b>NSYSDCR200</b>
500 (19.7)	400 (15.7)	200 (7.9)	<b>NSYS3XEX5420</b>	<b>NSYMM54</b>	<b>NSYMS54</b>	<b>NSYMF54</b>	<b>NSYMR54</b>	<b>NSYMD54</b>	<b>NSYSDCR200</b>
600 (23.6)	400 (15.7)	200 (7.9)	<b>NSYS3XEX6420</b>	<b>NSYMM64</b>	<b>NSYMS64</b>	<b>NSYMF64</b>	<b>NSYMR64</b>	<b>NSYMD64</b>	<b>NSYSDCR200</b>
700 (27.6)	500 (19.7)	250 (9.8)	<b>NSYS3XEX7525</b>	<b>NSYMM75</b>	<b>NSYMS75</b>	<b>NSYMF75</b>	<b>NSYMR75</b>	<b>NSYMD75</b>	<b>NSYSDCR250</b>
800 (31.5)	600 (23.6)	250 (9.8)	<b>NSYS3XEX8625</b>	<b>NSYMM86</b>	<b>NSYMS86</b>	<b>NSYMF86</b>	<b>NSYMR86</b>	<b>NSYMD86</b>	<b>NSYSDCR250</b>
1000 (39.4)	800 (31.5)	300 (11.8)	<b>NSYS3XEX10830</b>	<b>NSYMM108</b>	-	<b>NSYMF108</b>	<b>NSYMR108</b>	<b>NSYMD108</b>	<b>NSYSDCR300</b>

The accessories of the Spacial S3X enclosure can be installed in the Spacial S3EX enclosure. However, plastic accessories should not be used, due to the potential of a static charge.

# ATEX enclosures

## Dimensions

External dimensions: mm (in.)			
Height (A)	Width (B)	Depth (C)	Fig.
300 (11.8)	200 (7.9)	150 (5.9)	1
400 (15.7)	300 (11.8)	200 (7.9)	1
500 (19.7)	400 (15.7)	200 (7.9)	2 (1)
600 (23.6)	400 (15.7)	200 (7.9)	2
700 (27.6)	500 (19.7)	250 (9.8)	2
800 (31.5)	600 (23.6)	250 (9.8)	2
1000 (39.4)	800 (31.5)	300 (11.8)	3

(1) Without door reinforcement.

Fig. 1

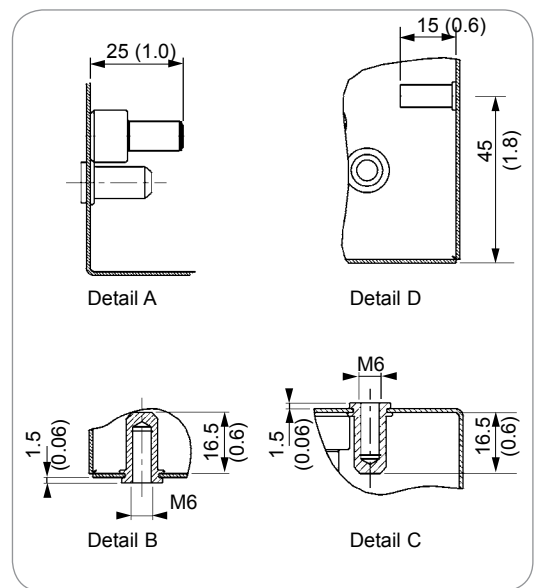
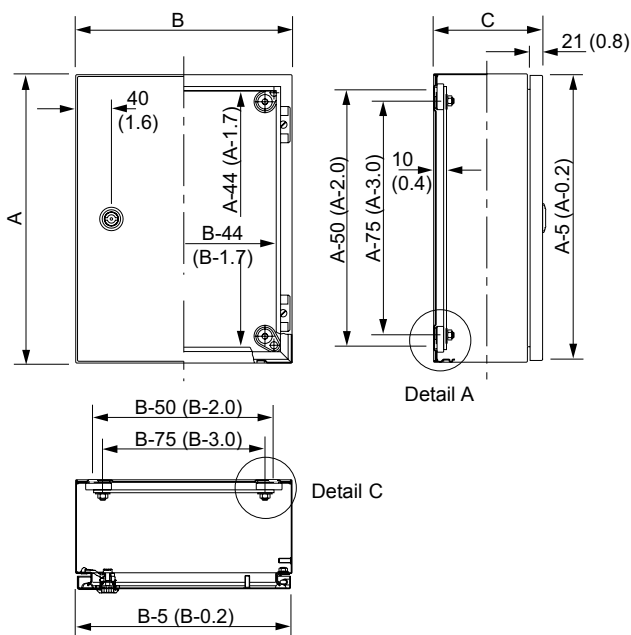


Fig. 2

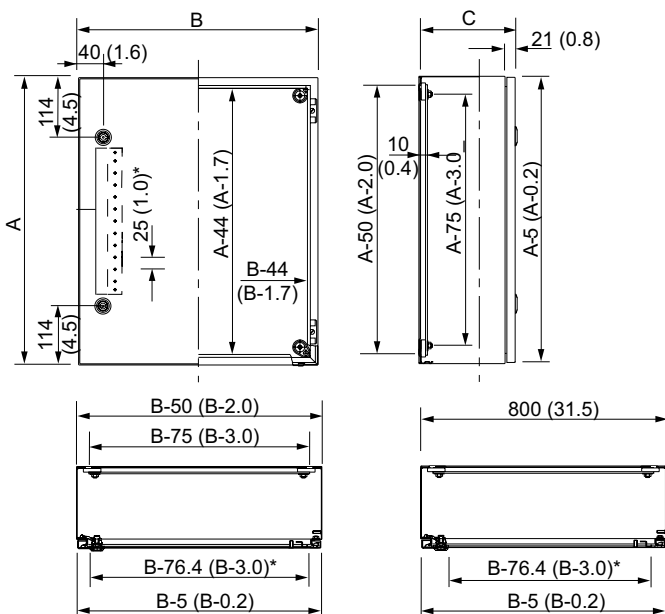
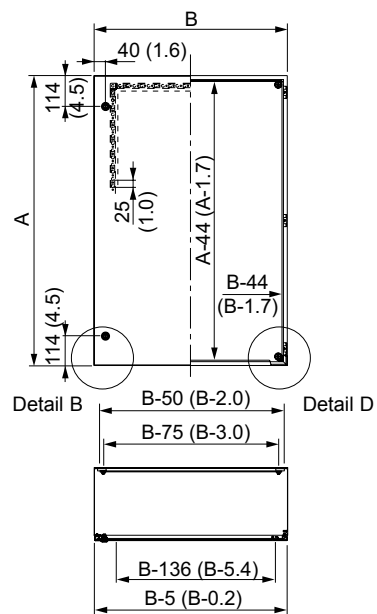


Fig. 3



\*Door reinforcement.



# Stainless-steel monobloc floor-standing enclosures

5

Material and finishes

Convenient and time saving

Hygienic

Sealing

Compatible with the other ranges

Robust and durable



# Stainless-steel monobloc floor-standing enclosures

## Material and finishes:

**Stainless-steel grade:**  
 AISI 304L and 316L as standard.  
**Finishes:**  
 Brushed (standard).  
 Micro-beaded (on request).  
 Painted (on request).

## Resistant to corrosion:

High resistance to corrosion. 304L and 316L stainless steels provide the best solutions for applications in extremely demanding environments.



## Convenient and time saving:

Complete range of accessories for installation, cable management, etc.  
 316L stainless-steel plinth: easy cable entry.  
 Reversible door opening to 120°.  
 Padlock with key or form insert.  
 Adjustment rails perforated with a pitch of 25 mm (1.0 in.).  
 Perforated reinforcement frame allowing accessories to be mounted on the door.



## Sealing:

Protection rating of IP55 (IEC 60529) helps ensure protection against dust and water sprays.  
 3-point closures.  
 Canopy (optional):

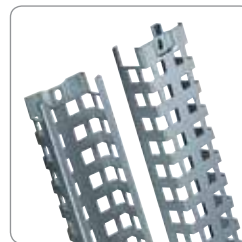
- protects the sealing plane of the door,
- helps ensure correct water drainage,
- no stagnation on the top.

Single-piece cable-gland plate with polyurethane gasket.



## Compatible with the other ranges:

Can use the mounting plates and other accessories of the Spacial SM standard metal offer.



## Hygienic:

The high quality of the standard finish enables very easy maintenance while avoiding contamination.  
 The hygienic feet made from 316L stainless steel, 100 and 200 mm (3.9 and 7.9 in.) high, make it easier to clean under the enclosures.



## Robust and durable:

Resistance to external mechanical impacts:  
 IK10 according to IEC 62262.  
 3 hinges made entirely from stainless steel.  
 Door reinforcement frame.



# Stainless-steel monobloc PC racks

## Characteristics



### Technical characteristics

The stainless-steel monobloc PC racks are especially designed to protect computer equipment installed in corrosive environments that require washing or exposure to sprays of liquid.

### Composition

- Monobloc structure in 304L stainless-steel sheet, micro-beaded finish.
- Can be made in 316L stainless steel on request.
- Top and bottom partial doors on the front side.
- Pivoting panel for the keyboard.
- Plain rear door.

### Protection

- Protection rating: IP55, even with the keyboard drawer open.
- High resistance to mechanical impacts: IK10 according to standard IEC 62262.

### Ergonomics

- Partial front doors limit access to each function with a 3-mm (0.1 in.) double-bar lock (other inserts or key locks available).
- Glued anti-glare window.
- Access to the various functions and adjustable working height help ensure optimum comfort during use.

### Monitor-screen compartment

- The anti-glare glazed door is designed for viewing screens:
  - 14" as standard,
  - 17" by removing a part of the silkscreen printing.
- The height of the monitor support can be adjusted.
- The monitor shelf can withstand a maximum weight of 50 kg (110.2 lbs).

### CPU/keyboard compartment

- The fixed keyboard is accessed by tilting down the central panel.
- The CPU is placed on a height-adjustable shelf, visible and accessible through a pivoting, transparent shutter.

### Optional accessories

- Shelf installed on a sliding rail, with adjustable height.
- Plinths with heights of 100 and 200 mm (3.9 and 7.9 in.).
- Telescopic tray: **NSYTTG60**.



Specific

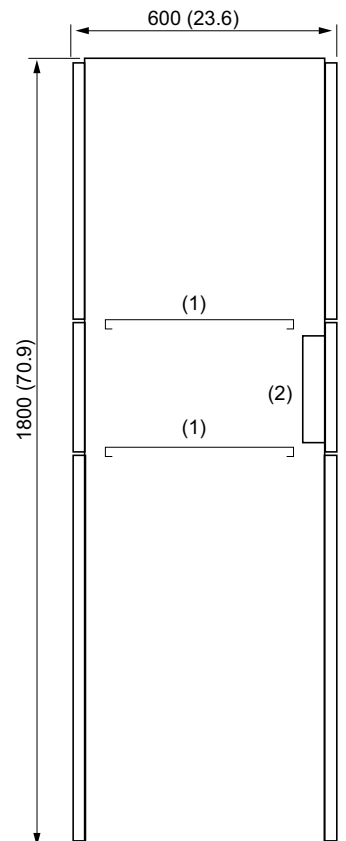
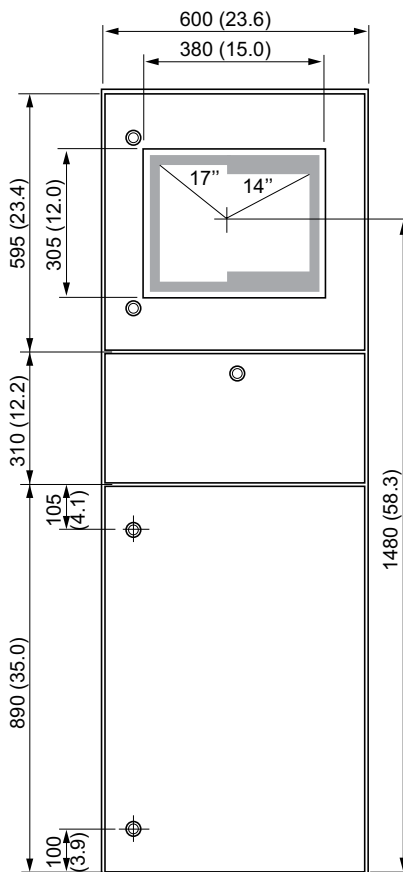
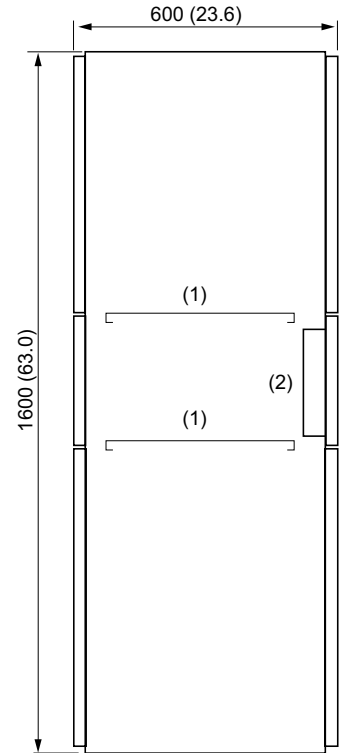
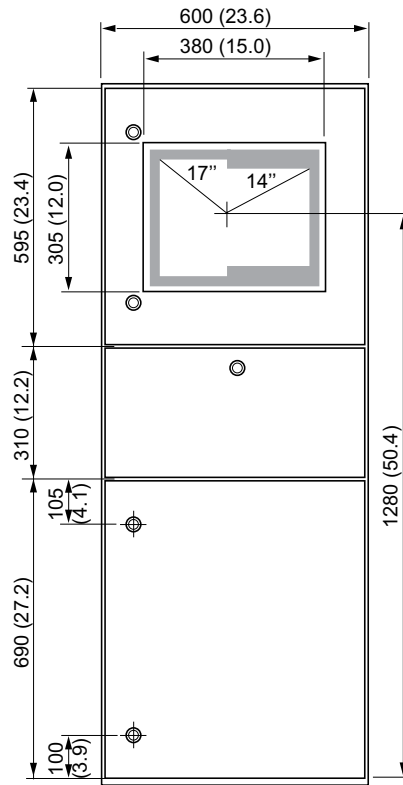
## 304L stainless-steel PC racks



External dimensions: mm (in.)			Stainless-steel PC rack catalog number	Hygienic feet		Brushed 316L stainless-steel plinth height 100 mm (3.9 in.) (1)		Brushed 316L stainless-steel plinth height 200 mm (7.9 in.) (1)	
Height	Width	Depth		Height 100 mm (3.9 in.)	Height: 200 mm (7.9 in.)	Front + corner	Side	Front + corner	Side
1600 (63.0)	600 (23.6)	600 (23.6)	NSYSMX16660PC	NSYPHX100	NSYPHX200	NSYSPXF6100H	NSYSPXS6100H	NSYSPXF6200H	2 × NSYSPXS6100H
1600 (63.0)	600 (23.6)	800 (31.5)	NSYSMX16680PC	NSYPHX100	NSYPHX200	NSYSPXF6100H	NSYSPXS8100H	NSYSPXF6200H	2 × NSYSPXS8100H
1800 (70.9)	600 (23.6)	600 (23.6)	NSYSMX18660PC	NSYPHX100	NSYPHX200	NSYSPXF6100H	NSYSPXS6100H	NSYSPXF6200H	2 × NSYSPXS6100H
1800 (70.9)	600 (23.6)	800 (31.5)	NSYSMX18680PC	NSYPHX100	NSYPHX200	NSYSPXF6100H	NSYSPXS8100H	NSYSPXF6200H	2 × NSYSPXS8100H

(1) See stainless-steel accessories on page 5/26.

# Stainless-steel monobloc PC racks Dimensions



- (1) Screw-on shelf, adjustable height.
- (2) Sealed case for keyboard.





# Stainless-steel modular enclosures

5

Material and finishes

Resistant to corrosion

Hygienic

Robust and durable

Convenient and time saving

Sealing

Compatible with the other ranges



# Stainless-steel modular enclosures

## Material and finishes:

### Stainless-steel grade:

AISI 304L as standard.  
AISI 316L (on request).

### Finishes:

Brushed (standard).  
Micro-beaded (on request).  
Painted (on request).

## Resistant to corrosion:

High resistance to corrosion. 304L and 316L stainless steels provide the best solutions for applications in extremely demanding environments.



## Convenient and time saving:

Complete range of accessories for installation, cable management, etc.

304L or 316L stainless-steel plinth: easy cable entry.

Reversible door opening to 120°.

Padlock with key or form insert.

Adjustment rails perforated with a pitch of 25 mm (1 in.).

Perforated reinforcement frame allowing accessories to be mounted on the door.



## Sealing:

Protection rating of IP55 (IEC 60529): complete protection against dust and water sprays.  
3-point closures.

Canopy (optional):

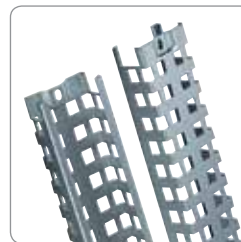
- protects the sealing plane of the door,
- helps ensure correct water drainage,
- helps prevent stagnation on the top.

Single-piece cable-gland plate with polyurethane gasket.



## Compatible with the other ranges:

The mounting plates and other accessories of the Spacial SF standard metal offer.



## Hygienic:

The high quality of the standard finish enables very easy maintenance while avoiding contamination.

The hygienic feet made from 316L stainless steel, 100 mm and 200 mm (3.9 and 7.9 in.) high, make it easier to clean under the enclosures.



## Robust and durable:

Resistance to external mechanical impacts:

IK10 according to IEC 62262.

3 hinges made entirely from stainless steel.

Door reinforcement frame.



# Stainless-steel modular enclosures

## Characteristics



### Technical characteristics

These enclosures are designed for industries with particularly demanding hygiene and corrosion resistance requirements, such as chemical, oil, and food and beverage applications.

- Enclosure made up of a structure, consisting of top and bottom, rear panel and vertical profiles.
- Made from AISI 304L stainless steel with brushed finish.
- Available on request:
  - 316L version.
  - Micro-beaded and painted finish.
- Protection rating of IP55 according to standard IEC 60529.
- High resistance to mechanical impacts: IK10 according to standard IEC 62262.
- Plain front door opens to the left or right to 120° with reinforcement frame installed.
  - 3 stainless-steel hinges.
  - 3-point closure with handle made from painted zamak, 5-mm (0.2 in.) double bar.
  - Acceptable load of 50 kg (110.2 lbs).
- Single-piece cable-gland plate delivered.
- Optional 316L stainless-steel plinths, heights of 100 and 200 mm (3.9 and 7.9 in.).
- Optional stainless-steel canopies.
- Optional eyebolt.
- Maximum load: 830 kg (1829.8 lbs) with the sling at 60°.

### Basic composition

- Structure consisting of top and bottom, rear panel and vertical profiles.
- Single front door, with reinforcement frame.
- Sash-bolt handle made from painted zamak, 3-mm (0.1 in.) double bar.
- 4 mounting plate-supporting brackets.
- Single-piece cable-gland plate with sealing gasket.

Note: Panels and plinths can be factory-installed and enclosures can be factory-assembled (on request).



### Spacial SFX modular enclosures

External dimensions: mm (in.)			Number of front doors	Catalog number in 304L stainless steel (1)			Brushed 316L stainless-steel plinth height 100 mm (3.9 in.) (2)		Brushed 316L stainless-steel plinth height 200 mm (7.9 in.) (2)		Plain mounting plate (3)
Height (A)	Width (B)	Depth (C)		Modular enclosure	Set of 2 side panels	Coupling kit	Front + corner	Side	Front + corner	Side	
1800 (70.9)	600 (23.6)	400 (15.7)	1	NSYSFX18640	NSY2SPX184	NSYSFBK19	NSYSPXF6100H	NSYSPXS4100H	NSYSPXF6200H	2 × NSYSPXS4100H	NSYMP186
1800 (70.9)	800 (31.5)	400 (15.7)	1	NSYSFX18840	NSY2SPX184	NSYSFBK19	NSYSPXF8100H	NSYSPXS4100H	NSYSPXF8200H	2 × NSYSPXS4100H	NSYMP188
1800 (70.9)	1200 (47.2)	400 (15.7)	2	NSYSFX181240	NSY2SPX184	NSYSFBK19	NSYSPXF12100H	NSYSPXS4100H	NSYSPXF12200H	2 × NSYSPXS4100H	NSYMP1812
2000 (78.7)	600 (23.6)	500 (19.7)	1	NSYSFX20650	NSY2SPX205	NSYSFBK19	NSYSPXF6100H	NSYSPXS5100H	NSYSPXF6200H	2 × NSYSPXS5100H	NSYMP206
2000 (78.7)	800 (31.5)	400 (15.7)	1	NSYSFX20840	NSY2SPX204	NSYSFBK19	NSYSPXF8100H	NSYSPXS4100H	NSYSPXF8200H	2 × NSYSPXS4100H	NSYMP208
2000 (78.7)	800 (31.5)	600 (23.6)	1	NSYSFX20860	NSY2SPX206	NSYSFBK19	NSYSPXF8100H	NSYSPXS6100H	NSYSPXF8200H	2 × NSYSPXS6100H	NSYMP208
2000 (78.7)	1000 (39.4)	600 (23.6)	2	NSYSFX201060	NSY2SPX206	NSYSFBK19	NSYSPXF10100H	NSYSPXS6100H	NSYSPXF10200H	2 × NSYSPXS6100H	NSYMP2010
2000 (78.7)	1200 (47.2)	600 (23.6)	2	NSYSFX201260	NSY2SPX206	NSYSFBK19	NSYSPXF12100H	NSYSPXS6100H	NSYSPXF12200H	2 × NSYSPXS6100H	NSYMP2012

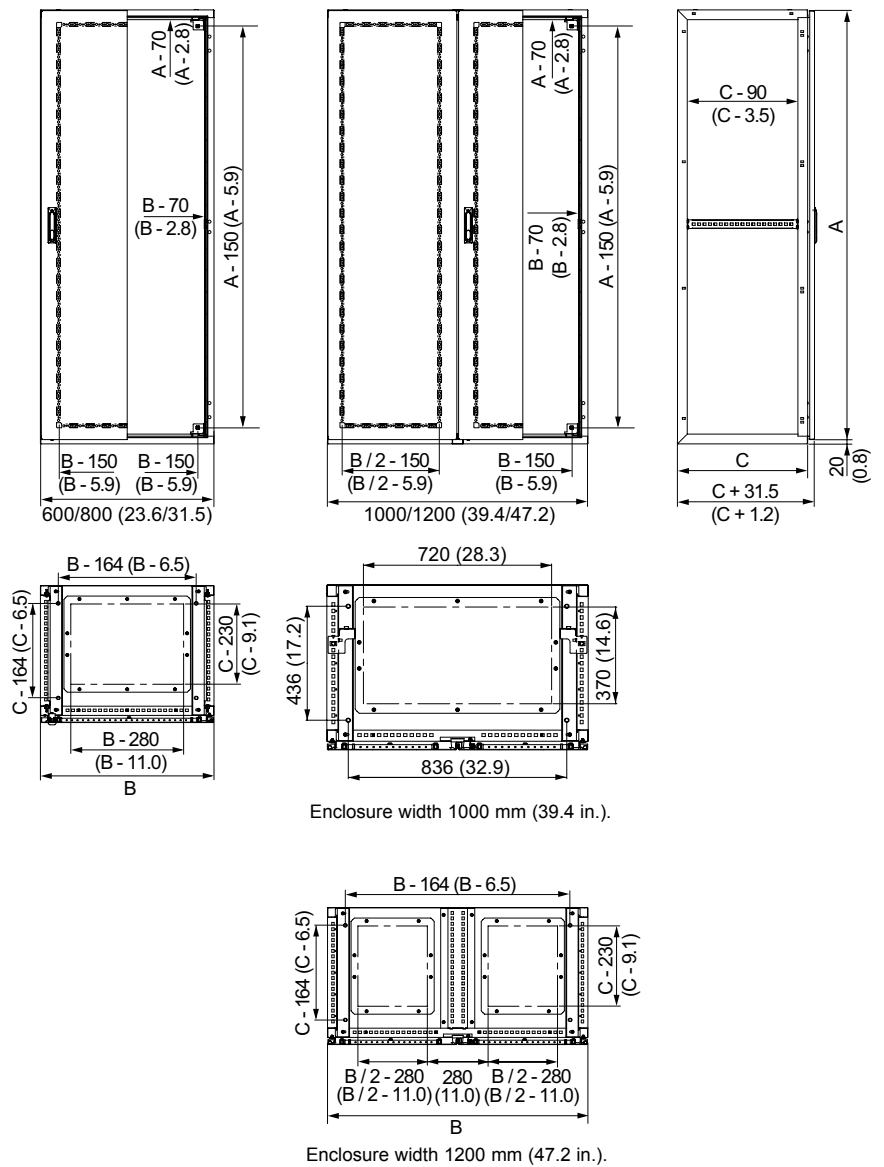
(1) 316L stainless-steel enclosures on request. (2) See section on stainless-steel accessories on page 5/26. (3) See other mounting plates in the accessories section.



# Stainless-steel modular enclosures

## Dimensions

External dimensions: mm (in.)			Number of front doors
Height (A)	Width (B)	Depth (C)	
1800 (70.9)	600 (23.6)	400 (15.7)	1
1800 (70.9)	800 (31.5)	400 (15.7)	1
1800 (70.9)	1200 (47.2)	400 (15.7)	2
2000 (78.7)	600 (23.6)	500 (19.7)	1
2000 (78.7)	800 (31.5)	400 (15.7)	1
2000 (78.7)	800 (31.5)	600 (23.6)	1
2000 (78.7)	1000 (39.4)	600 (23.6)	2
2000 (78.7)	1200 (47.2)	600 (23.6)	2





## Side panels for SFX stainless-steel modular enclosure

- Side panels including a polyurethane sealing gasket.
- The special design maintains the protection of the door gasket.

For modular enclosure: mm (in.)		Catalog number
Height	Depth	
1800 (70.9)	400 (15.7)	<b>NSY2SPX184</b>
2000 (78.7)	400 (15.7)	<b>NSY2SPX204</b>
2000 (78.7)	500 (19.7)	<b>NSY2SPX205</b>
2000 (78.7)	600 (23.6)	<b>NSY2SPX206</b>

5



## Coupling kit for SFX enclosures

- Used for joining enclosures side by side.
- Mounting from the inside of the enclosures.
- Degree of protection: IP55.
- Material:
  - Flat connectors and brackets: zinc-coated steel.
  - Sealing gasket: EPDM.

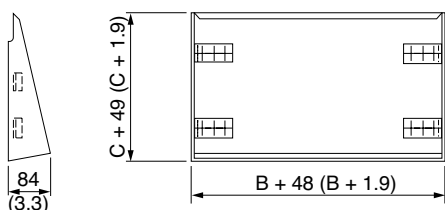
Catalog number
<b>NSYSFBK19</b>



## Canopy for SMX and SFX enclosures

- Maintains a high degree of protection when the enclosure is used outdoors.
- Mounts in the eyebolt holes. Delivered with mounting hardware.
- Material: 304L stainless-steel sheet, 1.5 mm (0.06 in.) thick, brushed finish.
- For other finishes or other types of stainless steel, contact us.

For enclosures with dimensions: mm (in.)		Catalog number
Width (B)	Depth (C)	
600 (23.6)	400 (15.7)	<b>NSYSXC6040</b>
600 (23.6)	500 (19.7)	<b>NSYSXC6050</b>
800 (31.5)	400 (15.7)	<b>NSYSXC8040</b>
800 (31.5)	500 (19.7)	<b>NSYSXC8050</b>
800 (31.5)	600 (23.6)	<b>NSYSXC8060</b>
1000 (39.4)	300 (11.8)	<b>NSYSXC10030</b>
1000 (39.4)	400 (15.7)	<b>NSYSXC10040</b>
1000 (39.4)	600 (23.6)	<b>NSYSXC10060</b>
1200 (47.2)	400 (15.7)	<b>NSYSXC12040</b>
1200 (47.2)	500 (19.7)	<b>NSYSXC12050</b>
1200 (47.2)	600 (23.6)	<b>NSYSXC12060</b>
1600 (63.0)	400 (15.7)	<b>NSYSXC16040</b>
1600 (63.0)	600 (23.6)	<b>NSYSXC16060</b>

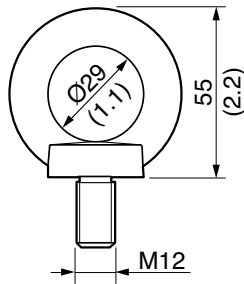




## Eyebolts

- Set of four M12 eyebolts.
- Material: treated molded steel.
- The eyebolts are attached with mounting nuts supplied with the enclosure.
- Maximum load: 830 kg (1829.8 lbs) with the sling at 60°.

**Catalog number**  
NSYSMEB



## Lifting bracket for SFX stainless-steel modular enclosure

- Set of four lifting brackets.
- Material: treated steel.
- The lifting brackets are mounted in the eyebolt holes of two joined enclosures, maintaining the rigidity of the enclosures when lifting.
- Maximum load: 2000 kg (4409.2 lbs) with the sling at 60°.

**Catalog number**  
NSYPUNX



## Closure options

- The enclosures are delivered as standard with a handle made from painted zamak, 5 mm (0.2 in.) double bar (1242E, 405E, 455E, 6.5-mm [0.3 in] triangle available).
- Large range of standard inserts available.

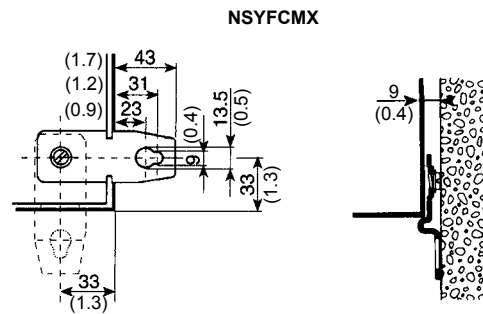
Description	Quantity	Catalog number
Spare handle	1	NSYMCSX
5-mm (0.2 in.) double-bar insert	1	NSYTDB5ME
6-mm (0.2 in.) square insert	1	NSYTC6ME
7-mm (0.3 in.) square insert	1	NSYTC7ME
8-mm (0.3 in.) square insert	1	NSYTC8ME
6.5-mm (0.3 in.) triangular insert	1	NSYTT6ME
8-mm (0.3 in.) triangular insert	1	NSYTT8ME
Padlocking device	1	NSYBCME



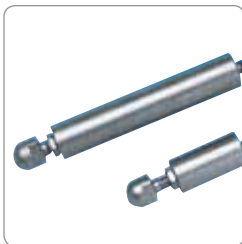
## Wall-mounting lugs for SMX enclosures

- Set of four 304L stainless-steel wall-mounting lugs.
- Can be positioned horizontally or vertically.
- Mounting from the outside.
- Maximum load: horizontal 180 kg (396.8 lbs) and vertical 350 kg (771.6 lbs).

**Catalog number**  
**NSYFCMX**



5



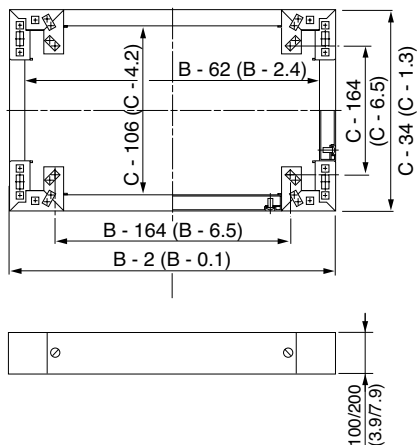
## Hygienic feet

- Set of 4 adjustable feet.
- Made from 316L stainless steel, making it easier to clean under the enclosure.
- Recommended for applications that require special hygiene conditions.
- Available in heights of 100 or 200 mm (3.9 or 7.9 in.).
- Maximum allowable load per foot: 100 kg (220.5 lbs).

Height: mm (in.)	Catalog number
100 (3.9)	<b>NSYPHX100</b>
200 (7.9)	<b>NSYPHX200</b>

## Stainless-steel plinths

- The plinths are attach in the enclosure floor-mounting holes.
- Made from high quality brushed stainless steel, AISI 316L, to improve the durability in applications where contact with the floor increases the possibility of corrosion.
- Available in two heights: 100 and 200 mm (3.9 and 7.9 in.).



External dimensions: mm (in.)		Brushed 316L stainless-steel plinth height 100 mm (3.9 in.) (1)		Brushed 316L stainless-steel plinth height 200 mm (7.9 in.) (1)	
Width (B)	Depth (C)	Front + corner	Side	Front + corner	Side
600 (23.6)	400 (15.7)	NSYSPXF6100H	NSYSPXS4100H	NSYSPXF6200H	2 × NSYSPXS4100H
600 (23.6)	500 (19.7)	NSYSPXF6100H	NSYSPXS5100H	NSYSPXF6200H	2 × NSYSPXS5100H
600 (23.6)	600 (23.6)	NSYSPXF6100H	NSYSPXS6100H	NSYSPXF6200H	2 × NSYSPXS6100H
600 (23.6)	800 (31.5)	NSYSPXF6100H	NSYSPXS8100H	NSYSPXF6200H	2 × NSYSPXS8100H
800 (31.5)	400 (15.7)	NSYSPXF8100H	NSYSPXS4100H	NSYSPXF8200H	2 × NSYSPXS4100H
800 (31.5)	500 (19.7)	NSYSPXF8100H	NSYSPXS5100H	NSYSPXF8200H	2 × NSYSPXS5100H
800 (31.5)	600 (23.6)	NSYSPXF8100H	NSYSPXS6100H	NSYSPXF8200H	2 × NSYSPXS6100H
1000 (39.4)	300 (11.8)	NSYSPXF10100H	NSYSPXS3100H	NSYSPXF10200H	2 × NSYSPXS3100H
1000 (39.4)	400 (15.7)	NSYSPXF10100H	NSYSPXS4100H	NSYSPXF10200H	2 × NSYSPXS4100H
1000 (39.4)	500 (19.7)	NSYSPXF10100H	NSYSPXS5100H	NSYSPXF10200H	2 × NSYSPXS5100H
1000 (39.4)	600 (23.6)	NSYSPXF10100H	NSYSPXS6100H	NSYSPXF10200H	2 × NSYSPXS6100H
1200 (47.2)	400 (15.7)	NSYSPXF12100H	NSYSPXS4100H	NSYSPXF12200H	2 × NSYSPXS4100H
1200 (47.2)	500 (19.7)	NSYSPXF12100H	NSYSPXS5100H	NSYSPXF12200H	2 × NSYSPXS5100H
1200 (47.2)	600 (23.6)	NSYSPXF12100H	NSYSPXS6100H	NSYSPXF12200H	2 × NSYSPXS6100H
1600 (63.0)	400 (15.7)	NSYSPXF16100H	NSYSPXS4100H	NSYSPXF16200H	2 × NSYSPXS4100H
1600 (63.0)	600 (23.6)	NSYSPXF16100H	NSYSPXS6100H	NSYSPXF16200H	2 × NSYSPXS6100H

(1) See stainless-steel accessories on page 5/26.







**Overview** ..... 6/2

**Thalassa™ PLS Insulating modular boxes IP65** ..... 6/4  
 Characteristics ..... 6/5  
 Selection guide ..... 6/6  
 Dimensions ..... 6/7  
 Accessories ..... 6/8

**Thalassa PLM Polyester wall-mounting enclosures** ..... 6/12  
 ABS/PC wall-mounting enclosures 310 × 215 mm, IP66 ..... 6/14  
 Polyester wall-mounting enclosures 308 × 255 mm, IP66 ..... 6/15  
 Polyester wall-mounting enclosures IP66 ..... 6/16  
 Selection guide ..... 6/18  
 Accessories ..... 6/20

**Thalassa PLMEX for potentially explosive atmospheres** ... 6/28  
 Characteristics ..... 6/30  
 Selection guide ..... 6/30  
 Dimensions ..... 6/31

**Thalassa PLA Polyester floor-standing enclosures** ..... 6/32  
 Sealed enclosures IP65 ..... 6/34  
 Enclosures with ventilated canopy IP44 ..... 6/35  
 Enclosures with plinth-type open bottom IP54 ..... 6/36  
 Enclosures with plinth-type open bottom and ventilated canopy IP44 ..... 6/37  
 Dimensions ..... 6/38  
 Accessories ..... 6/40

## Polyester enclosures

### Our solutions



#### Thalassa PLS boxes

- A range of insulating modular boxes for creating assemblies that separate functions and provide easy visibility thanks to their transparent covers.
- 14 box sizes from 270 × 180 × 180 mm (10.6 × 7.1 × 7.1 in.) to 720 × 540 × 230 mm (28.3 × 21.3 × 9.1 in.).
- Accessories for power, automation and modular applications.

6



#### Thalassa PLM wall-mounting enclosures

- ABS/PC or polyester monobloc enclosure, IP66, plain and transparent doors with built-in top and bottom canopies allowing the enclosures to be inverted.
- 8 sizes from 310 × 215 × 160 mm (12.2 × 8.5 × 6.3 in.) to 1056 × 852 × 350 mm (41.6 × 33.5 × 13.8 in.).
- Large range of accessories for power, automation and modular applications.

## Polyester enclosures

### Our solutions



#### Thalassa PLA floor-standing enclosures

- Modular design, made from polyester, combining:
  - 40 sizes.
  - 4 versions available, from sealed (IP65) to self-ventilated with canopy and/or open bottom (IP44 or 54).
  - Plain, glazed or anti-posting door.
- Large range of accessories for power, automation, modular, and 19" applications.

# Insulating modular boxes IP65

## Modular

The dimensions of the sides, multiples of 9 cm, allow the creation of assemblies.

## Protection

- IP65.
- Seal between body and cover.

## Choice

- 14 sizes.
- 9 combinations of length × width.
- 2 cover heights.
- Transparent lids.
- Opaque lid made from polycarbonate or polyester.

## Industry or infrastructure

- Energy, automation.

## Performance

- Full insulation for class II equipment.
- Locking with 4, 6 or 8 points.

## Easy

Bosses with inserts, at the rear of the body, for mounting plates or various supports.



# Insulating modular boxes IP65

## Characteristics



- The product catalog numbers show the two lateral dimensions in cm.
- 14 sizes of insulating boxes; the sides are multiples of 9 cm (3.5 in.).
- The boxes can be joined by all their side surfaces, allowing a great variety of modular assemblies.
- Rear made from polyester reinforced with fiberglass, molded by hot compression, 9 sizes.
- 3 types of lids are available:
  - Standard lid, made from transparent polycarbonate with neoprene seal, 45 mm (1.8 in.) high, or 95 mm (3.7 in.) high (catalog number ends in "A").
  - Opaque polycarbonate lid (index C), with neoprene gasket, 45 mm (1.8 in.) high, or 95 mm (3.7 in.) high (catalog number ends in "A").
  - Polyester lid (index P) with PUR seal, 45 mm (1.8 in.) high.
- The rears (prefix F) and the covers (prefix T) are supplied separately as standard catalog numbers. The separate covers are supplied without locking screws or plumbing accessories.
- The PLS enclosures with transparent lids are also offered in batches; the catalog number designates the complete batch.

### Technical characteristics

- Degree of protection: IP65.
- Resistance to external mechanical impacts: IK09.
- RAL 7032 gray color (opaque rears and lids).
- Excellent resistance to corrosion; can withstand most chemical agents.
- Full insulation to create Class II assemblies according to IEC 61140.
- Standard lock with slot screws outside the volume of the boxes. Delivered with plumbing system.
- External wall mounting by 4 lugs, ordered separately.
- Service temperature: – 30 to + 120 °C.
- Bosses with M6 inserts for installing the mounting plate.
- Halogen-free and compliant with the RoHS directive.
- Certification according to standard IEC 62208, providing the IP and IK degrees of protection, resistance to heat and fire (self-extinguishing), insulation to 5000 V, resistance to bad weather and the load of the mounting plate 100 kg/m<sup>2</sup>.
- UL certification and NEMA classification 4X and 13.

### Selection guide

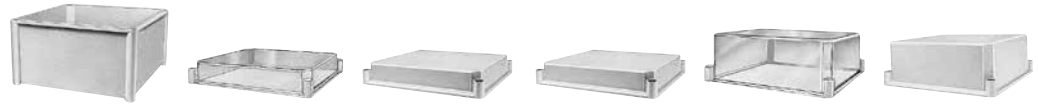


Dimensions: mm (in.)			Cover boxes				
Height	Width	Depth	Transparent	Opaque	Polyester	Transparent in batches	Supply
180 (7.1)	270 (10.6)	180 (7.1)	NSYPLS1827	NSYPLSC1827	NSYPLSP1827	NSYPLS1827L	56
270 (10.6)	270 (10.6)	180 (7.1)	NSYPLS2727	NSYPLSC2727	NSYPLSP2727	NSYPLS2727L	56
270 (10.6)	270 (10.6)	230 (9.1)	NSYPLS2727A	NSYPLSC2727A		NSYPLS2727AL	56
270 (10.6)	360 (14.2)	180 (7.1)	NSYPLS2736	NSYPLSC2736	NSYPLSP2736	NSYPLS2736L	56
270 (10.6)	360 (14.2)	230 (9.1)	NSYPLS2736	NSYPLSC2736A	-	NSYPLS2736AL	56
270 (10.6)	540 (21.3)	180 (7.1)	NSYPLS2754	NSYPLSC2754	NSYPLSP2754	NSYPLS2754L	28
270 (10.6)	540 (21.3)	230 (9.1)	NSYPLS2754A	NSYPLSC2754A	-	NSYPLS2754AL	28
360 (14.2)	360 (14.2)	180 (7.1)	NSYPLS3636	NSYPLSC3636	NSYPLSP3636	NSYPLS3636L	28
360 (14.2)	540 (21.3)	180 (7.1)	NSYPLS3654	NSYPLSC3654	NSYPLSP3654	NSYPLS3654L	28
360 (14.2)	540 (21.3)	230 (9.1)	NSYPLS3654A	NSYPLSC3654A	-	NSYPLS3654AL	28
360 (14.2)	720 (28.3)	230 (9.1)	NSYPLS3672A	NSYPLSC3672A	-	NSYPLS3672AL	27
540 (21.3)	540 (21.3)	180 (7.1)	NSYPLS5454	NSYPLSC5454	NSYPLSP5454	NSYPLS5454L	14
540 (21.3)	540 (21.3)	230 (9.1)	NSYPLS5454A	NSYPLSC5454A	-	NSYPLS5454AL	14
540 (21.3)	720 (28.3)	230 (9.1)	NSYPLS5472A	NSYPLSC5472A	-	NSYPLS5472AL	14

# Insulating modular boxes IP65

## Selection guide

### Selection guide



Dimensions: mm (in.)			Rear 135 mm (5.3 in.)	Bottom covers			Top covers	
Height	Width	Depth		Transparent 45 mm (1.8 in.)	Opaque 45 mm (1.8 in.)	Polyester 45 mm (1.8 in.)	Transparent 95 mm (3.7 in.)	Opaque 95 mm (3.7 in.)
180 (7.1)	270 (10.6)	180 (7.1)	NSYFPLS1827	NSYTPLS1827	NSYTPLSC1827	NSYTPLSP1827	-	-
270 (10.6)	270 (10.6)	180 (7.1)	NSYFPLS2727	NSYTPLS2727	NSYTPLSC2727	NSYTPLSP2727	-	-
270 (10.6)	270 (10.6)	230 (9.1)	NSYFPLS2727	-	-	-	NSYTPLS2727A	NSYTPLSC2727A
270 (10.6)	360 (14.2)	180 (7.1)	NSYFPLS2736	NSYTPLS2736	NSYTPLSC2736	NSYTPLSP2736	-	-
270 (10.6)	360 (14.2)	230 (9.1)	NSYFPLS2736	-	-	-	NSYTPLS2736A	NSYTPLSC2736A
270 (10.6)	540 (21.3)	180 (7.1)	NSYFPLS2754	NSYTPLS2754	NSYTPLSC2754	NSYTPLSP2754	-	-
270 (10.6)	540 (21.3)	230 (9.1)	NSYFPLS2754	-	-	-	NSYTPLS2754A	NSYTPLSC2754A
360 (14.2)	360 (14.2)	180 (7.1)	NSYFPLS3636	NSYTPLS3636	NSYTPLSC3636	NSYTPLSP3636	-	-
360 (14.2)	540 (21.3)	180 (7.1)	NSYFPLS3654	NSYTPLS3654	NSYTPLSC3654	NSYTPLSP3654	-	-
360 (14.2)	540 (21.3)	230 (9.1)	NSYFPLS3654	-	-	-	NSYTPLS3654A	NSYTPLSC3654A
360 (14.2)	720 (28.3)	230 (9.1)	NSYFPLS3672	-	-	-	NSYTPLS3672A	NSYTPLSC3672A
540 (21.3)	540 (21.3)	180 (7.1)	NSYFPLS5454	NSYTPLS5454	NSYTPLSC5454	NSYTPLSP5454	-	-
540 (21.3)	540 (21.3)	230 (9.1)	NSYFPLS5454	-	-	-	NSYTPLS5454A	NSYTPLSC5454A
540 (21.3)	720 (28.3)	230 (9.1)	NSYFPLS5472	-	-	-	NSYTPLS5472A	NSYTPLSC5472A

### Selection guide for mounting plates



For installing in the boxes: mm (in.)		Metallic mounting plates		Insulating mounting plates	
Height	Width	Plain	Telequick™	Polyester	Bakelite®
180 (7.1)	270 (10.6)	NSYPMM1827	NSYPMR1827	NSYPMA1827	NSYPMB1827
270 (10.6)	270 (10.6)	NSYPMM2727	NSYPMR2727	NSYPMA2727	NSYPMB2727
270 (10.6)	360 (14.2)	NSYPMM2736	NSYPMR2736	NSYPMA2736	NSYPMB2736
270 (10.6)	540 (21.3)	NSYPMM2754	NSYPMR2754	NSYPMA2754	NSYPMB2754
360 (14.2)	360 (14.2)	NSYPMM3636	-	NSYPMA3636	NSYPMB3636
360 (14.2)	540 (21.3)	NSYPMM3654	NSYPMR3654	NSYPMA3654	NSYPMB3654
360 (14.2)	720 (28.3)	NSYPMM3672	NSYPMR3672	NSYPMA3672	NSYPMB3672
540 (21.3)	540 (21.3)	NSYPMM5454	NSYPMR5454	NSYPMA5454	NSYPMB5454
540 (21.3)	720 (28.3)	NSYPMM5472	NSYPMR5472	NSYPMA5472	NSYPMB5472





# Insulating modular boxes IP65

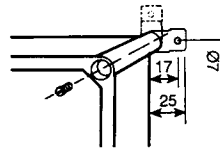
## Accessories



### Wall-mounting lugs

- Set of 4 lugs and hardware.
- Material: passivated zinc-coated or stainless steel.

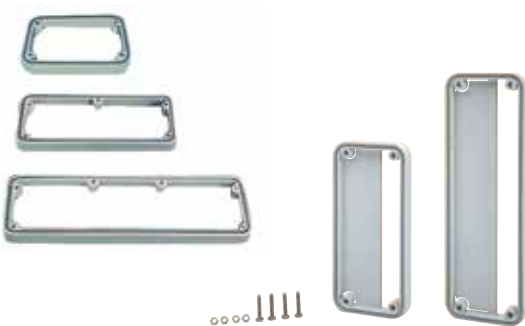
Description	Catalog number
Steel mounting lugs	<b>NSYPF27N</b>
Stainless-steel mounting lugs	<b>NSYPF27X</b>



### Post-mounting device

- Contains all the elements required for mounting on a post.

For installation on a surface with dimensions: mm (in.)	Catalog number
270 (10.6)	<b>NSYFSP27270</b>
360 (14.2)	<b>NSYFSP27360</b>
540 (21.3)	<b>NSYFSP27540</b>



### Coupling frames

- Coupling frame for an opening of 110 mm (3.9 in.) for 180-mm (7.1 in.) surfaces.
- Coupling frame for an opening of 200 mm (7.9 in.) for 270-mm (10.6 in.) surfaces.
- Coupling frame for an opening of 290 mm (11.4 in.) for 360-mm (14.2 in.) surfaces.
- A sealing gasket is built into the frame with full opening to maintain the IP65 degree of protection.
- 200-mm (7.9 in.) or 290-mm (11.4 in.) frame with partial opening, without a seal. The IP65 degree of protection is not maintained. Order in multiples of 10.

Opening: mm (in.)	Catalog number	
	Full-opening frame	Partial-opening frame
110 (4.3)	<b>NSYUM27180</b>	-
200 (7.9)	<b>NSYUM27270</b>	<b>NSYUCC270</b>
290 (11.4)	<b>NSYUM27360</b>	<b>NSYUCC360</b>



### Side plates

- 200-mm (7.9 in.) cable-gland plate or locking plate for the 270-mm (10.6 in.) surfaces.
- 290-mm (11.4 in.) cable-gland plate or locking plate for the 360-mm (14.2 in.) surfaces.
- IP65 degree of protection maintained by a sealing gasket.

Side plates: mm (in.)	Catalog number
200 (7.9)	<b>NSYTL27270</b>
290 (11.4)	<b>NSYTL27360</b>

# Insulating modular boxes IP65

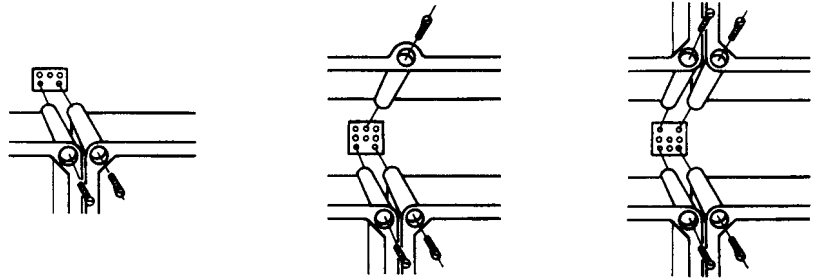
## Accessories



### Box coupling piece

- For coupling 2, 3 or 4 boxes, with optional wall-mounting.
- Order in multiples of 25.

For coupling	Catalog number
2 boxes	NSYPS2C27
3 or 4 boxes	NSYPS4C27



M6 × 8 screw with cylindrical head.



### Hinges

- Set of 2 external hinges made from plastic or internal hinges made from brass.
- For opening the door to 180°.

Description	Catalog number
External plastic hinges	NSYBE27
Internal brass hinges	NSYBL27



# Insulating modular boxes IP65 Accessories



## Closing for PLS boxes

- Set of 4, 6 or 8 screws.
- Three types of screws are available:
  - With slotted head.
  - With wings.
  - With plumbable triangular head.
- Steel plumbing accessory included as standard. Option of using plastic-coated plumbing triangles, catalog no. **NSYPPS27** (order in multiples of 10).

Description	Tool	Catalog number
Set of 4 slotted screws (1)	Flat-blade screwdriver	<b>NSYTCD274</b>
Set of 6 slotted screws (1)	Flat-blade screwdriver	<b>NSYTCD276</b>
Set of 8 slotted screws (1)	Flat-blade screwdriver	<b>NSYTCD278</b>
Set of 4 wing screws (2)	Manual	<b>NSYTCM274</b>
Set of 6 wing screws (2)	Manual	<b>NSYTCM276</b>
Set of 8 wing screws (2)	Manual	<b>NSYTCM278</b>
Set of 4 triangular screws	NSYLT27	<b>NSYTCT274</b>
Set of 6 triangular screws		<b>NSYTCT276</b>
Set of 8 triangular screws		<b>NSYTCT278</b>

(1) Included as standard with boxes **NSYPLS...**  
 (2) Included as standard with modular distribution boxes **NSYPLS...DLS...**



## Closing locks

- Option of installing a side lock on the side opposite the hinges.

Description	Tool	Catalog number
Double-bar side lock and handle	NSYDBP	<b>NSYCL27M</b>
Side lock with key 405		<b>NSYCL27L405</b>
Side lock with key 1242E		<b>NSYCL27L1242E</b>

6



## Plumbing and opening

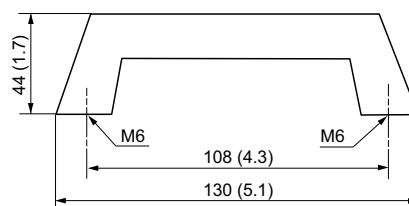
Description	Catalog number
Plastic-coated plumbing triangle*	<b>NSYPPS27</b>
Triangular key for PLS	<b>NSYLT27</b>

\* Order in multiples of 10.



## Plastic carrying handle

Description	Catalog number
Carrying handle	<b>NSYATM27</b>



See also these accessories

Cable management  
Page 8/69

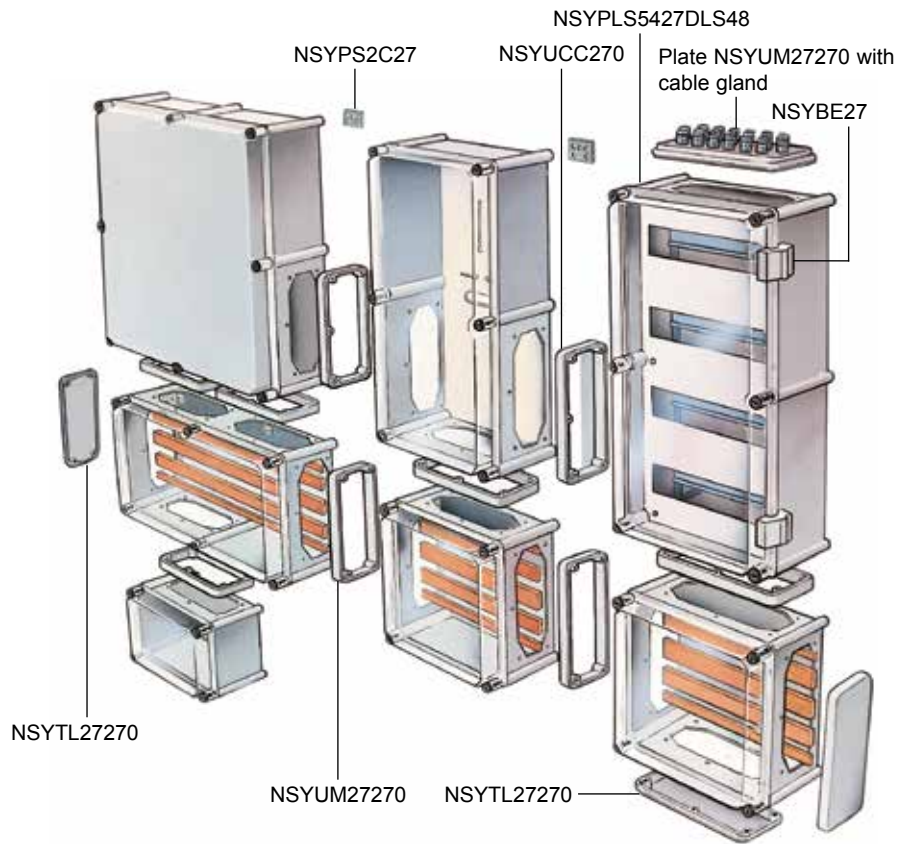
Ventilation louvers  
Page 7/29

Modular access window  
Page 8/98

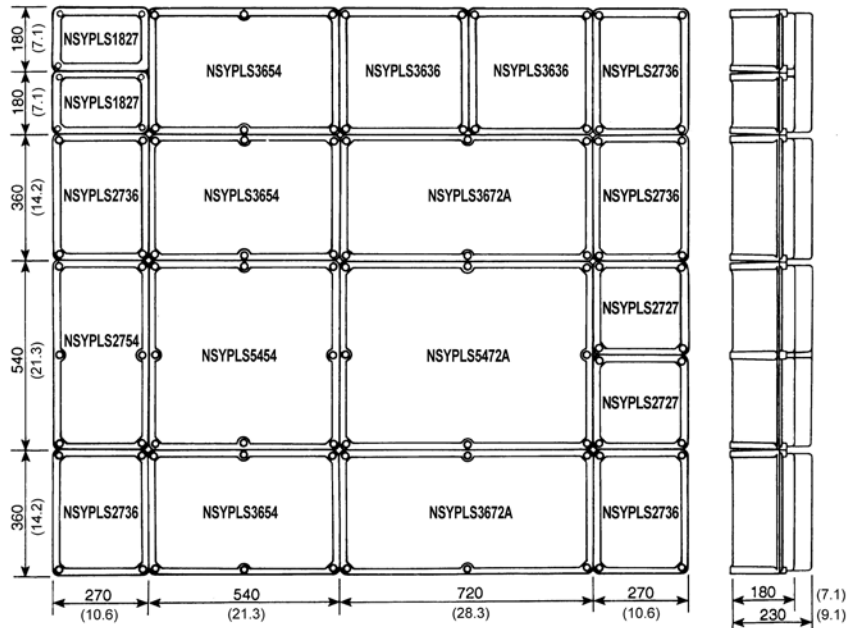
Door window  
Page 8/98

# Insulating modular boxes IP65 Accessories

## Examples of assembly



All the boxes can be joined by their lateral surfaces, using the coupling frames **NSYUM...** or **NSYUCC...**, and the joining and mounting pieces **NSYPS2C27** and **NSYPS4C27**.



## Insulators

To form busbars.



NSYAE25



NSYAS25

# Polyester wall-mounting enclosures

**Service life**  
 High resistance to corrosion in harsh environments helps maintain mechanical properties and insulation.

**Protection**

- IP66.
- Polyurethane seal.
- Built-in canopy.
- Lock outside sealed area.

**Choice**

- 1 ABS/PC version and 7 polyester versions.
- Smooth or glazed door.

**Easy**

- Door easily reversible by turning it over.
- Opening to 120° or 180°.
- Easy machining with no corrosion.
- Lightness.



**Smart**

- Notches for easy mounting of DIN rails.
- Grid pattern on the rear of the door for marking the machining operations.

**Applications**

- Industry or infrastructures in harsh environments.
- Indoor or outdoor installation.

6

## General characteristics of the Thalassa PLM wall-mounting enclosures

- Indoor or outdoor use.
- 1 size for the ABS/PC wall-mounting enclosure: 310 × 215 × 160 mm (12.2 × 8.5 × 6.3 in.).
- 7 sizes of polyester wall-mounting enclosures.
- Monobloc body including the canopies (seal protection), except for wall-mounting enclosure catalog no. **NSYPLM3025**.
- Doors with polyurethane seal.
- 2 types of doors.
  - Smooth.
  - Transparent (for the ABS/PC enclosure) or glazed (for the polyester enclosures).
- Reversible door opening direction by turning the enclosure over.
- Degree of protection IP66 according to standard IEC 60529.
- Impact resistance IK10 for the plain doors and surfaces and IK08 for the glazed doors on the polyester versions, according to standard IEC 62262.
- Many accessories in common with the range of steel wall-mounting enclosures, Spacial S3DC or Spacial CRN.

## Material properties of the polyester versions

The wall-mounting enclosures are made from polyester reinforced with fiberglass, molded by hot compression, RAL 7032 gray color.

This material:

- Is insulating: several kV per mm.
- Withstands cold and heat in the range of –50 °C to +150 °C.
- Does not soften under intense heat (ball resistance at +150 °C).
- Is self-extinguishing: HB40 classification and self-extinguishing in several seconds during the glow-wire test at 960 °C, 30 sec.
- Does not contain halogens.
- Is light.
- Can be machined easily.
- Is corrosion-resistant: no rusting, and can withstand many chemical agents.
- Can resist bad weather.

## Characteristics of the production process of the polyester version

The components of the enclosure (body and doors) are molded by hot compression. The parts have an excellent finish on both sides and can include bosses for accommodating inserts and accessories for mounting or cable-management.

## Certificate of conformity with enclosure standard IEC 62208 for:

IP, IK, resistance to heat and fire, insulation 5000 V, resistance to bad weather and corrosion and resistance to internal loads (150 kg/m<sup>2</sup>) and loads on the door (30 kg/m<sup>2</sup>).

## UL certification and NEMA classification 4x and 13 for the polyester wall-mounting enclosures.

## Full insulation to produce class II units according to IEC 61439-1.

## Complies with the RoHS directive.

# ABS/PC wall-mounting enclosures 310 × 215 mm IP66

## Characteristics



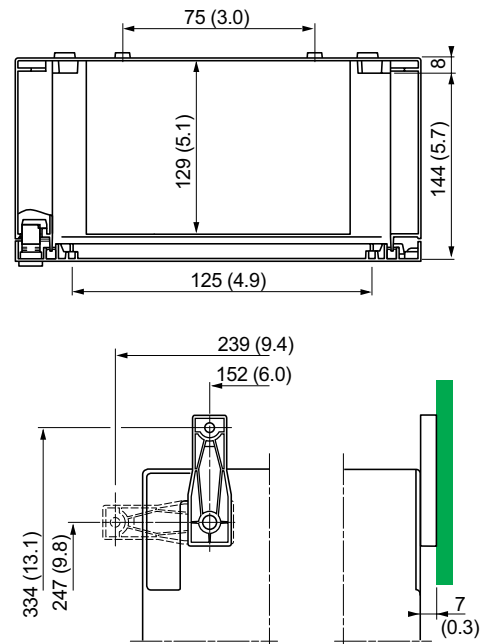
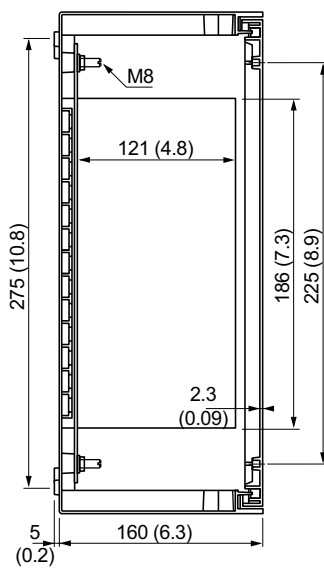
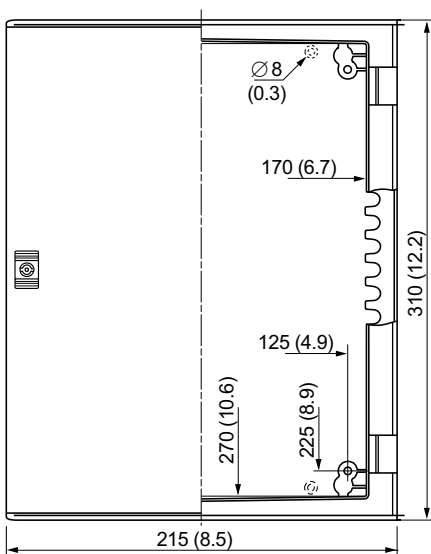
### Technical characteristics

- Monobloc wall-mounting enclosure made from ABS/PC, RAL 7032 gray color.
- Version with transparent polycarbonate door.
- Closes with a 3-mm (0.1 in.) double-bar lock.
- Door opening: 180°.
- Degree of protection: -35 °C...+90 °C.
- Protection rating IP66 according to IEC 60529.
- Resistance to external mechanical impacts of IK10 (20 joules) according to IEC 62262.
- Direct mounting of symmetrical rails (**NSYCS200PLM**) with plastic nuts (**NSYCSPLM**) in the notches on the rear of the body. Notches have a pitch of 25 mm (1.0 in.).
- Mounting of installation plates on the studs at the rear of the enclosure.
- Grid pattern with a pitch of 25 mm (1.0 in.) on the back of the door.

External dimensions: mm (in.)			Catalog number of wall-mounting enclosures with door	
Height	Width	Depth	Plain (1)	Transparent
310 (12.2)	215 (8.5)	160 (6.3)	<b>NSYPLM32</b>	<b>NSYPLM32T</b>

(1) These enclosures are also available equipped with metallic or insulating mounting plates. See the catalog number summary on page 6/18.

### Dimensions: mm (in.)



6

# Polyester wall-mounting enclosures 308 × 255 mm IP66

## Characteristics



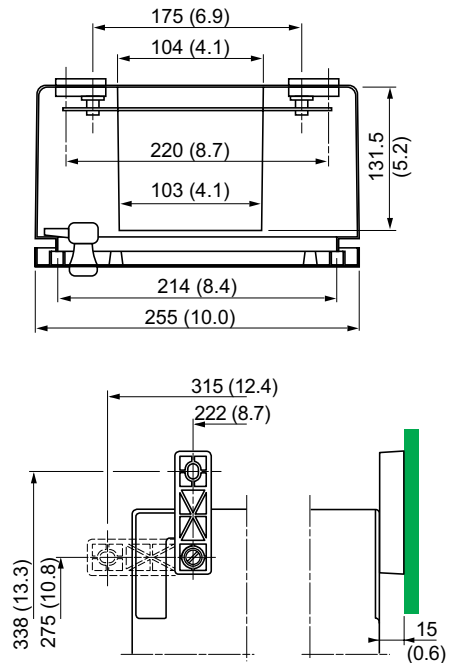
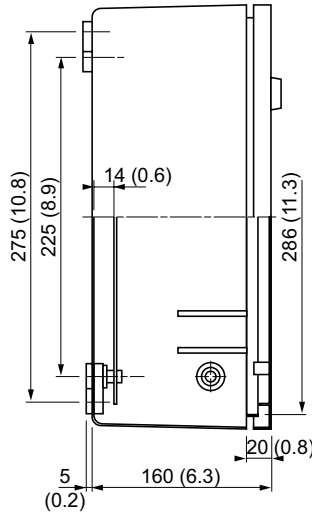
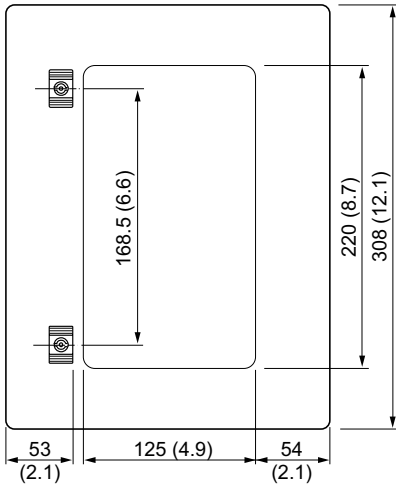
### Technical characteristics

- Monobloc wall-mounting enclosure made from polyester reinforced with fiberglass, molded by hot compression, RAL 7032 gray color.
- Version with transparent tempered-glass door.
- Degree of protection IP66 according to IEC 60529.
- Resistance to external mechanical impacts:
  - Plain door enclosures IK10 (20 joules).
  - Glazed door enclosures IK08 (5 joules) according to IEC 62262.
- Closes with two 3-mm double-bar locks.
- Door opening angle: 120°.
- Mounting of rear accessories on 4 M8 × 18 studs.
- Grid pattern with a pitch of 50 mm (2.0 in.) on the back of the door.

External dimensions: mm (in.)			Catalog number of wall-mounting enclosures with door	
Height	Width	Depth	Plain (1)	Transparent
308 (12.1)	255 (10.0)	160 (6.3)	<b>NSYPLM3025</b>	<b>NSYPLM3025T</b>

(1) These enclosures are also available equipped with metallic or insulating mounting plates. See the catalog number summary on page 6/18.

### Dimensions: mm (in.)





# Polyester wall-mounting enclosures IP66

## Characteristics



### Technical characteristics

- Monobloc wall-mounting enclosure made from polyester reinforced with fiberglass, molded by hot compression, RAL 7032 gray.
- Version with transparent tempered-glass door.
- Degree of protection IP66 according to IEC 60529.
- Resistance to external mechanical impacts:
  - Plain door enclosures IK10 (20 joules).
  - Glazed door enclosures IK08 (5 joules) according to IEC 62262.
- Locking device outside the sealed area, maintaining the IP66 degree of protection over time.
- Locking system:
  - Enclosure height  $\leq$  847 mm (33.3 in.): 2 locks with double-bar insert or 1 handle with key lock and 3-point closure.
  - Enclosure height 1056 mm (41.6 in.): 1 lock with double-bar insert and 4-point closure.
- Door opening angle: 180°.
- Bosses for accessory-mounting inserts: M6 inside the enclosure, M5 in the door for enclosure heights of 430 and 530 mm (16.9 and 20.9 in.), and M6 in the door for enclosure heights  $\geq$  647 mm (25.5 in.).
- Mounting of rear accessories on 4 M8 studs, included in the standard supply.
- Direct mounting of symmetrical rails (**NSYCS●●●PLM**) with plastic nuts (**NSYTC●SPLM**) in the notches on the rear of the body. Notches have a pitch of 25 mm (1.0 in.).
- Grid pattern with a pitch of 25 mm (1.0 in.) on the back of the door.



Built-in canopy protecting the door and the sealing gasket.  
Two double-bar 3-mm (0.1 in.) locks outside the sealed zone.



Polyamide hinge pin, easily removable and captive.

6



External dimensions: mm (in.)			Catalog number of wall-mounting enclosures with door			
Height (A)	Width (B)	Depth (C)	Plain (3)	Plain (1)	Transparent	Transparent (1)
430 (16.9)	330 (13.0)	200 (7.9)	<b>NSYPLM43</b>	<b>NSYPLM43V</b>	<b>NSYPLM43T</b>	<b>NSYPLM43TV</b>
530 (20.9)	430 (16.9)	200 (7.9)	<b>NSYPLM54</b>	<b>NSYPLM54V</b>	<b>NSYPLM54T</b>	<b>NSYPLM54TV</b>
647 (25.5)	436 (17.2)	250 (9.8)	<b>NSYPLM64</b>	<b>NSYPLM64V</b>	<b>NSYPLM64T</b>	<b>NSYPLM64TV</b>
747 (29.4)	536 (21.1)	300 (11.8)	<b>NSYPLM75</b>	<b>NSYPLM75V</b>	<b>NSYPLM75T</b>	<b>NSYPLM75TV</b>
847 (33.3)	636 (25.0)	300 (11.8)	<b>NSYPLM86</b>	<b>NSYPLM86V</b>	<b>NSYPLM86T</b>	<b>NSYPLM86TV</b>
1056 (41.6)	852 (33.5)	350 (13.8)	<b>NSYPLM108 (2)</b>	-	<b>NSYPLM108T (2)</b>	-

(1) Wall-mounting enclosure with handle and lock with 3-point closure and key 1242E delivered as standard.

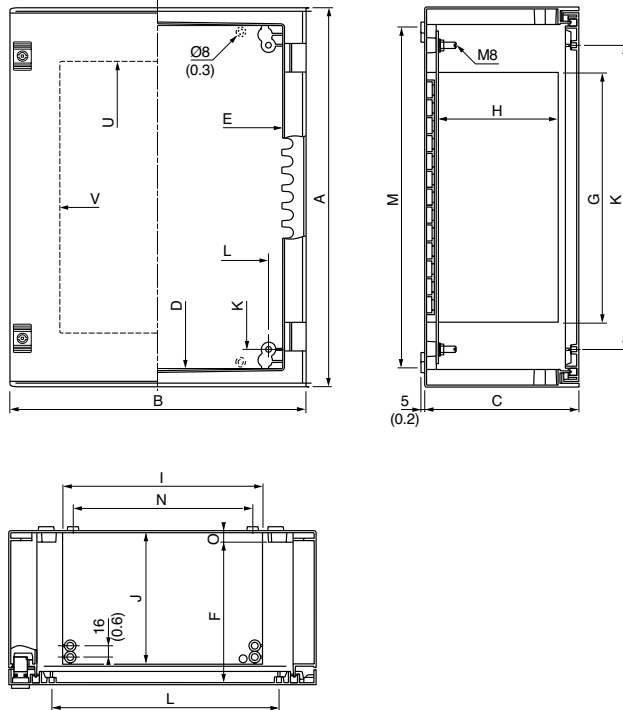
(2) Wall-mounting enclosure with standard 5-mm (0.2 in.) double-bar lock and lock with 4-point closure.

(3) These enclosures are also available equipped with metallic or insulating mounting plates. See the catalog number summary on page 6/18.

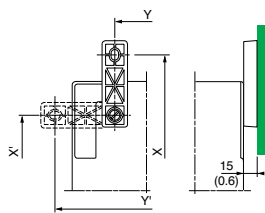
# Polyester wall-mounting enclosures IP66

## Dimensions

A: Height  
B: Width  
C: Depth



Dimensions: mm (in.)										Bottom screw and door bosses: mm (in.)		Internal mounting: mm (in.)			Glazed door: mm (in.)		Catalog number
A	B	C	D	E	F	G	H	I	J	K	L	M	N	O	U	V	
430 (16.9)	330 (13.0)	200 (7.9)	380 (15.0)	260 (10.2)	181 (7.1)	247 (9.7)	150 (5.9)	179 (7.0)	168 (6.6)	325 (12.8)	225 (8.9)	375 (14.8)	150 (5.9)	13 (0.5)	273 (10.7)	194 (7.6)	<b>NSYPLM43</b>
530 (20.9)	430 (16.9)	200 (7.9)	480 (18.9)	360 (14.2)	181 (7.1)	347 (13.7)	150 (5.9)	279 (11.0)	168 (6.6)	425 (16.7)	325 (12.8)	475 (18.7)	250 (9.8)	13 (0.5)	373 (14.7)	294 (11.6)	<b>NSYPLM54</b>
647 (25.5)	436 (17.2)	250 (9.8)	580 (22.8)	360 (14.2)	228 (9.0)	388 (15.3)	192 (7.6)	279 (11.0)	212 (8.3)	525 (20.7)	325 (12.8)	575 (22.6)	250 (9.8)	13 (0.5)	473 (18.6)	294 (11.6)	<b>NSYPLM64</b>
747 (29.4)	536 (21.1)	300 (11.8)	680 (26.8)	460 (18.1)	278 (10.9)	487 (19.2)	241 (9.5)	379 (14.9)	261 (10.3)	325 (12.8)	425 (16.7)	675 (26.6)	350 (13.8)	15 (0.6)	573 (22.6)	394 (15.5)	<b>NSYPLM75</b>
847 (33.3)	636 (25.0)	300 (11.8)	780 (30.7)	560 (22.0)	278 (10.9)	587 (23.1)	241 (9.5)	479 (18.9)	261 (10.3)	725 (28.5)	525 (20.7)	775 (30.5)	450 (17.7)	15 (0.6)	673 (26.5)	494 (19.4)	<b>NSYPLM86</b>
1056 (41.6)	852 (33.5)	350 (13.8)	980 (38.6)	760 (29.9)	327 (12.9)	775 (30.5)	280 (11.0)	680 (26.8)	300 (11.8)	925 (36.4)	725 (28.5)	975 (38.4)	650 (25.6)	15 (0.6)	854 (33.6)	661 (26.0)	<b>NSYPLM108</b>



External mounting with lugs: mm (in.)				Catalog number
Vertical		Horizontal		
X	Y	X'	Y'	
490 (19.3)	225 (8.9)	355 (14.0)	360 (14.2)	<b>NSYPLM43</b>
590 (23.2)	325 (12.8)	455 (17.9)	460 (18.1)	<b>NSYPLM54</b>
690 (27.2)	330 (13.0)	555 (21.9)	465 (18.3)	<b>NSYPLM64</b>
790 (31.1)	430 (16.9)	655 (25.8)	565 (22.2)	<b>NSYPLM75</b>
890 (35.0)	530 (20.9)	755 (29.7)	665 (26.2)	<b>NSYPLM86</b>
1090 (42.9)	750 (29.5)	955 (37.6)	885 (34.8)	<b>NSYPLM108</b>

# Polyester wall-mounting enclosures IP66

## Selection guide

### Catalog number summary



External dimensions: mm (in.)			ABS/PC wall-mounting enclosures IP66		Polyester wall-mounting enclosures IP66				Wall-mounting enclosures with plain door and mounting plate	
H	W	D	Plain door	Transp. door	Plain door	Transp. door	Plain door 3-point closure	Transp. door 3-point closure	Plain	Bakelite
			Page 6/14		Pages 6/15 and 6/16		Page 6/16			
310 (12.2)	215 (8.5)	160 (6.3)	NSYPLM32	NSYPLM32T	-	-	-	-	NSYPLM32P	NSYPLM32B
308 (12.1)	255 (10.0)	160 (6.3)	-	-	NSYPLM3025	NSYPLM3025T	-	-	NSYPLM3025P	NSYPLM3025B
430 (16.9)	330 (13.0)	200 (7.9)	-	-	NSYPLM43	NSYPLM43T	NSYPLM43V	NSYPLM43TV	NSYPLM43P	NSYPLM43B
530 (20.9)	430 (16.9)	200 (7.9)	-	-	NSYPLM54	NSYPLM54T	NSYPLM54V	NSYPLM54TV	NSYPLM54P	NSYPLM54B
647 (25.5)	436 (17.2)	250 (9.8)	-	-	NSYPLM64	NSYPLM64T	NSYPLM64V	NSYPLM64TV	NSYPLM64P	NSYPLM64B
747 (29.4)	536 (21.1)	300 (11.8)	-	-	NSYPLM75	NSYPLM75T	NSYPLM75V	NSYPLM75TV	NSYPLM75P	NSYPLM75B
847 (33.3)	636 (25.0)	300 (11.8)	-	-	NSYPLM86	NSYPLM86T	NSYPLM86V	NSYPLM86TV	NSYPLM86P	NSYPLM86B
1056 (41.6)	852 (33.5)	350 (13.8)	-	-	NSYPLM108	NSYPLM108T	-	-	-	NSYPLM108B

6

### Characteristics summary

Catalog number	NSYPLM32	NSYPLM3025	NSYPLM43/54/64/75/86	NSYPLM108
Dimensions: mm (in.)	310 × 215 × 160 (12.2 × 8.5 × 6.3)	308 × 255 × 160 (12.1 × 10.0 × 6.3)	430 × 330 × 200 to 847 × 636 × 300 (16.9 × 13.0 × 7.9 to 33.3 × 25.0 × 11.8)	1056 × 852 × 350 (41.6 × 33.5 × 13.8)
Material	ABS/PC	Polyester	Polyester	Polyester
Degree of protection	IP66	IP66	IP66	IP66
Impact protection (1)	IK10	IK10	IK10	IK10
Built-in canopy	Yes	No	Yes	Yes
Lock (2)	1	2	2	1 (4-point closure)
Closing with handle (3)	-	-	1 (3-point closure)	-
Lock outside the sealed area	No	No	Yes	Yes
Door opening	180°	120°	180°	180°
Notches every 25 mm (4)	Yes	No	Yes	Yes
Grid pattern on the back of the door	25 mm (1.0 in.)	50 mm (2.0 in.)	25 mm (1.0 in.)	25 mm (1.0 in.)

- (1) IK08 glazed door on the polyester enclosures.
- (2) With double-bar insert.
- (3) Handle with insert for key 1242E.
- (4) Notches in the rear of the enclosure for quick installation of DIN rails.

# Polyester wall-mounting enclosures IP66

## Selection guide

### Mounting accessories



External dimensions of the enclosures: mm (in.)			Metallic mounting plates				Insulating mounting plates		Step slides	Symmetrical DIN rail
H	W	D	Plain	Silk-screened	Microperforated	Telequick	Bakelite	Polyester	Page 6/26	Page 6/26
			Page 8/2		Page 8/3	Page 8/4	Page 8/5			
310 (12.2)	215 (8.5)	160 (6.3)	NSYMM32	-	-	NSYMR32	NSYMB32	NSYMPP32	-	NSYCS200PLM
308 (12.1)	255 (10.0)	160 (6.3)	NSYMM3025	-	-	NSYMR3025	NSYMB3025	NSYMPP3025	-	-
430 (16.9)	330 (13.0)	200 (7.9)	NSYMM43	NSYMS43	NSYMF43	NSYMR43	NSYMB43	NSYMPP43	NSYDPLM200	NSYCS300PLM
530 (20.9)	430 (16.9)	200 (7.9)	NSYMM54	NSYMS54	NSYMF54	NSYMR54	NSYMB54	NSYMPP54	NSYDPLM200	NSYCS400PLM
647 (25.5)	436 (17.2)	250 (9.8)	NSYMM64	NSYMS46	NSYMF64	NSYMR64	NSYMB64	NSYMPP64	NSYDPLM250	NSYCS400PLM
747 (29.4)	536 (21.1)	300 (11.8)	NSYMM75	NSYMS75	NSYMF75	NSYMR75	NSYMB75	NSYMPP75	NSYDPLM300	NSYCS500PLM
847 (33.3)	636 (25.0)	300 (11.8)	NSYMM86	NSYMS86	NSYMF86	NSYMR86	NSYMB86	NSYMPP86	NSYDPLM300	NSYCS600PLM
1056 (41.6)	852 (33.5)	350 (13.8)	NSYMM108	-	NSYMF108	NSYMR108	NSYMB108	NSYMPP108	NSYDPLM350	NSYCS800PLM

### Main accessories



External dimensions: mm (in.)			Mounting lugs	Post-mounting device	Floor-mounting pillar	Coupling frame	Cable-gland plate	Internal door	Blanking plates
H	W	D	Page 6/21	Page 6/21	Page 6/20	Page 6/20	Page 6/20	Page 6/22	Page 6/21
			310 (12.2)	215 (8.5)	160 (6.3)	NSYFFPLM32	-	-	-
308 (12.1)	255 (10.0)	160 (6.3)	NSYFFPLM	-	-	-	-	NSYPA3025PLM	-
430 (16.9)	330 (13.0)	200 (7.9)	NSYFFPLM	NSYSFP300	-	-	-	NSYPAP43	NSYCEPLMB
530 (20.9)	430 (16.9)	200 (7.9)	NSYFFPLM	NSYSFP400	NSYSFSPLM	-	-	NSYPAP54	NSYCEPLMB
647 (25.5)	436 (17.2)	250 (9.8)	NSYFFPLM	NSYSFP400	NSYSFSPLM	-	-	NSYPAP64	NSYCEPLMC
747 (29.4)	536 (21.1)	300 (11.8)	NSYFFPLM	NSYSFP500	-	NSYBUPLM	NSYTLA4420	NSYPAP75	NSYCEPLMC
847 (33.3)	636 (25.0)	300 (11.8)	NSYFFPLM	NSYSFP600	-	NSYBUPLM	NSYTLA4420	NSYPAP86	NSYCEPLMC
1056 (41.6)	852 (33.5)	350 (13.8)	NSYFFPLM	-	-	NSYBU108PLM	NSYTLA6420	NSYPAP108	-

Water drain plug



Page 6/27

Rail-mounting nuts



Page 6/26

Ventilation louver



Page 6/27



## Coupling frame

- Allows the lateral coupling of 2 enclosures.
- Polyester frame, RAL 7032 gray color, and hardware.
- A built-in sealing gasket provides a protection rating of IP66.

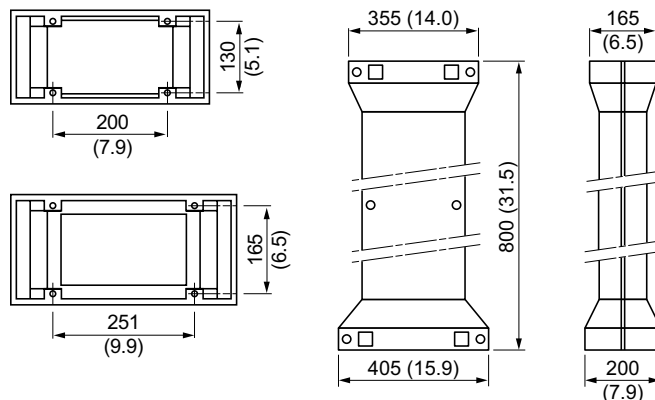
External dimensions: mm (in.)	Entry	For wall-mounting enclosure	Catalog number
435 × 185 × 15 (17.1 × 7.3 × 0.6)	398 × 148 (15.7 × 5.8)	NSYPLM75 and NSYPLM86	<b>NSYBUPLM</b>
635 × 185 × 15 (25.0 × 7.3 × 0.6)	598 × 148 (23.5 × 5.8)	NSYPLM108	<b>NSYBU108PLM</b>



## Floor-mounting pillar

- To protect cables entering the enclosure in outdoor installations.
- Material: polyester reinforced with fiberglass. RAL 7032 gray color.
- Delivered with steel frame for secure mounting to the floor.
- Cable entry section: 165 × 100 mm (6.5 × 3.9 in.).
- For enclosures catalog no. **NSYPLM54, NSYPLM54T, NSYPLM64 and NSYPLM64T.**

Description	Catalog number
Floor-mounting pillar	<b>NSYSFSPLM</b>



## Cable-gland plates

- Material: polyester.
- Dimensions: 435 × 185 mm (17.1 × 7.3 in.) and 635 × 185 mm (25.0 × 7.3 in.).

For wall-mounting enclosures	Catalog number
NSYPLM75 and NSYPLM86	<b>NSYTLA4420</b>
NSYPLM108	<b>NSYTLA6420</b>



See also  
these accessories

Cable entries  
Page 8/68

# Accessories

## Mounting accessories



The enclosures can be mounted directly on the walls. The seals and caps supplied as standard with the enclosure maintain its degree of protection and insulation.



### Wall-mounting lugs

- Set of 4 wall-mounting lugs.
- Mounted directly on the enclosure, either in horizontal position or in vertical position.
- Available in 2 versions, polyester loaded with fiberglass or stainless steel.
- Delivered with mounting hardware.
- Acceptable load of 300 kg (661.4 lbs) in vertical position and 100 kg (220.5 lbs) in horizontal position.

Material	Catalog number
Polyester (1)	<b>NSYFPPLM</b>
Stainless steel	<b>NSYFXPLM</b>

(1) Single catalog number in polyester, catalog no. **NSYFPPLM32**, for enclosure catalog no. **NSYPLM32** and **NSYPLM32T**.



### Post-mounting device

- For outdoor installations on a post with a maximum circumference of 675 mm (26.6 in.), Ø 215 mm (8.5 in.).
- Material: galvanized steel.
- Supply: rail, strips, and mounting hardware.
- Maximum load: 100 kg (220.5 lbs).

For wall-mounting enclosure	Catalog number
NSYPLM43	<b>NSYSFP300</b>
NSYPLM54 and NSYPLM64	<b>NSYSFP400</b>
NSYPLM75	<b>NSYSFP500</b>
NSYPLM86	<b>NSYSFP600</b>



### Blanking plates

- Made from thermoplastic material, the plates are positioned on the rear surface of the enclosures to block the openings in the corners to improve their appearance or help prevent the entry of unwanted elements in the ventilation shaft.
- Supplied as standard for enclosure, catalog no. **NSYPLM108**.

For wall-mounting enclosure	Catalog number
NSYPLM32	<b>NSYCEPLMA</b>
NSYPLM43 and NSYPLM54	<b>NSYCEPLMB</b>
NSYPLM64, 75 and 86	<b>NSYCEPLMC</b>

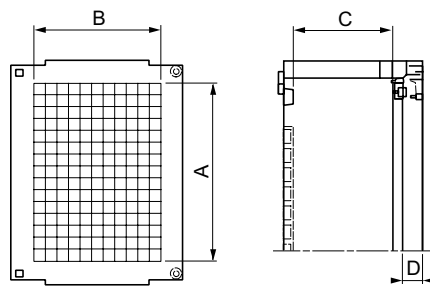
# Accessories

## Doors and door accessories



### Internal door

- Reversible door made from polyester reinforced with fiberglass, self-extinguishing, RAL 7032 gray.
- Grid pattern with a pitch of 25 mm (1.0 in.) to facilitate marking before drilling.
- Closes with 2 double-bar locks.
- Door handle.
- Delivered with mounting hardware and brass inserts.
- Steel internal door, without grid pattern and locking by a screw, for enclosures catalog no. **NSYPLM3025**.



For wall-mounting enclosure: mm (in.)		Dimensions: mm (in.)				Catalog number
Height	Width	A	B	C	D	
308 (12.1)	255 (10.0)	248 (9.8)	165 (6.5)	62 (2.4)	76 (3.0)	<b>NSYPA3025PLM</b>
430 (16.9)	330 (13.0)	315 (12.4)	205 (8.1)	152 (6.0)	26 (1.0)	<b>NSYPAP43</b>
530 (20.9)	430 (16.9)	415 (16.3)	305 (12.0)	152 (6.0)	26 (1.0)	<b>NSYPAP54</b>
645 (25.4)	435 (17.1)	515 (20.3)	305 (12.0)	194 (7.6)	32 (1.3)	<b>NSYPAP64</b>
745 (29.3)	535 (21.1)	615 (24.2)	405 (15.9)	244 (9.6)	32 (1.3)	<b>NSYPAP75</b>
845 (33.3)	635 (25.0)	715 (28.1)	505 (19.9)	244 (9.6)	32 (1.3)	<b>NSYPAP86</b>
1055 (41.5)	850 (33.5)	850 (33.5)	650 (25.6)	269 (10.6)	37 (1.5)	<b>NSYPAP108</b>

# Accessories

## Locking system



### Locks and inserts for enclosures with $H \leq 847$ mm (33.3 in.)

- The ABS/PC 310 × 215 mm (12.2 × 8.5 in.) enclosure is supplied with a lock with a double-bar insert as standard.
- The 308 × 255 mm (12.1 × 10.0 in.) enclosure is supplied with two locks with double-bar inserts as standard.
- The polyester enclosures 430 to 847 mm (16.9 to 33.3 in.) and higher are delivered as standard with:
  - 2 locks with double-bar inserts, catalog no. **NSYCDBPLM**.
  - Or a 3-point closure with handle and lock with key 1242E (enclosures **NSYPLM●●V**).
- Double-bar insert catalog no. **NSYTDBCRN**, is placed in a rectangular escutcheon.
- A plastic key, catalog no. **NSYDBP**, enabling the opening of the double-bar insert, is included in the standard supply. This key can be fixed to the double-bar system to remain on the enclosure for use as a handle.

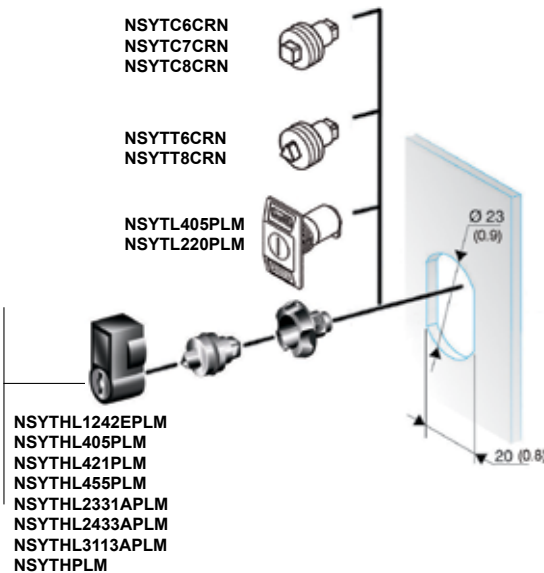
### Options to modify the locks with double-bar inserts

- The shape inserts can be replaced with locks and keys according to the following table:

Description	Catalog number
6-mm (0.2 in.) male square	<b>NSYTC6CRN</b>
7-mm (0.3 in.) male square	<b>NSYTC7CRN</b>
8-mm (0.3 in.) male square	<b>NSYTC8CRN</b>
6.5-mm (0.3 in.) male triangle	<b>NSYTT6CRN</b>
8-mm (0.3 in.) male triangle	<b>NSYTT8CRN</b>
Lock and key 405	<b>NSYTL405PLM</b>
Lock and key 220	<b>NSYTL220PLM</b>

- The locking handle can be replaced with a cylindrical barrel, delivered with all the parts required to change the lock.

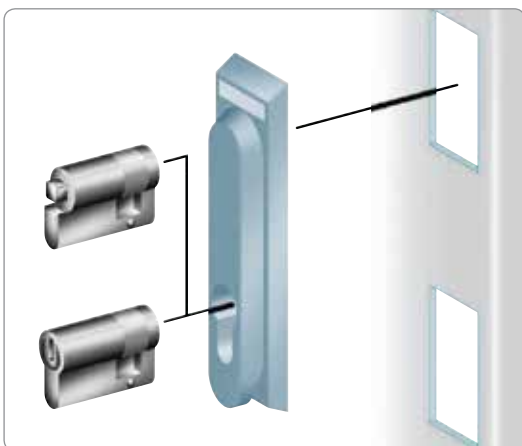
Type of barrel	Catalog number
Key 1242E	<b>NSYTHL1242EPLM</b>
Key 405	<b>NSYTHL405PLM</b>
Key 421	<b>NSYTHL421PLM</b>
Key 455	<b>NSYTHL455PLM</b>
Key 2331A	<b>NSYTHL2331APLM</b>
Key 2433A	<b>NSYTHL2433APLM</b>
Key 3113A	<b>NSYTHL3113APLM</b>
Manual	<b>NSYTHPLM</b>



### Options to replace versions **NSYPLM●●V**, with retractable handle and 3-point closure

- The standard insert (barrel for key 1242E, catalog no. **NSYTL1242EME**) can be replaced with other shape inserts or barrels according to the following table:

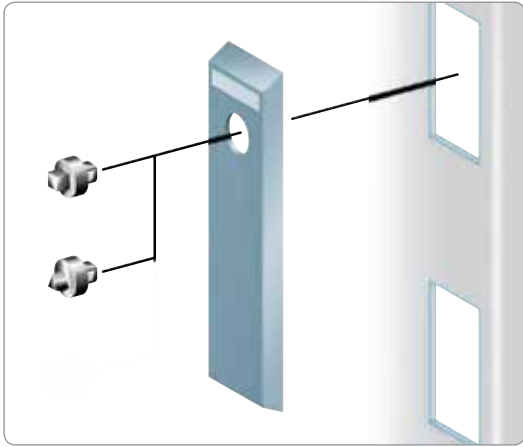
Description	Catalog number
5-mm (0.2 in.) double bar	<b>NSYTDB5ME</b>
6-mm (0.2 in.) male square	<b>NSYTC6ME</b>
7-mm (0.3 in.) male square	<b>NSYTC7ME</b>
8-mm (0.3 in.) male square	<b>NSYTC8ME</b>
6.5-mm (0.3 in.) male triangle	<b>NSYTT6ME</b>
8-mm (0.3 in.) male triangle	<b>NSYTT8ME</b>
Barrel and key 405	<b>NSYTCL405ME</b>
Reinforced key and barrel	<b>NSYTLRME</b>
JIS key and barrel	<b>MSYTLJISME</b>
Manual	<b>MNSYTMME</b>





# Accessories

## Locking system



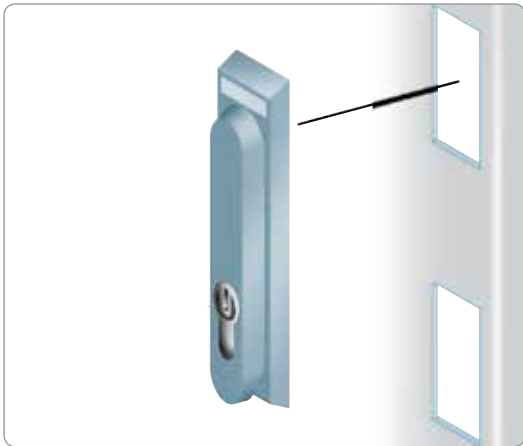
### Locks and inserts for enclosures NSYPLM108/T

- Enclosures delivered as standard with 5-mm (0.2 in.) double-bar insert.
- Insert catalog no. **NSYTDB5PL**, placed in a long rectangular escutcheon, activates a 4-point closure system.

#### Options to replace the insert

- The standard insert can be replaced with other shape inserts, according to the following table:

Description	Catalog number
6-mm male square	<b>NSYTC6PL</b>
7-mm male square	<b>NSYTC7PL</b>
8-mm male square	<b>NSYTC8PL</b>
6.5-mm male triangle	<b>NSYTT6PL</b>
7-mm male triangle	<b>NSYTT7PL</b>
8-mm male triangle	<b>NSYTT8PL</b>



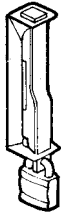
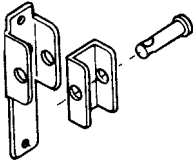
### Retractable handle options

- The escutcheon and rosette assembly can be replaced with a lock with a retractable handle equipped with inserts or barrels, according to the following table:

Description	Catalog number
5-mm (0.2 in.) double bar	<b>NSYTEDB5PL</b>
6-mm (0.2 in.) male square	<b>NSYTEC6PL</b>
7-mm (0.3 in.) male square	<b>NSYTEC7PL</b>
8-mm (0.3 in.) male square	<b>NSYTEC8PL</b>
6.5-mm (0.3 in.) male triangle	<b>NSYTET6PL</b>
7-mm (0.3 in.) male triangle	<b>NSYTET7PL</b>
8-mm (0.3 in.) male triangle	<b>NSYTET8PL</b>
Lock key 1242E	<b>NSYTEL1242EPL</b>
Barrel and key 405	<b>NSYTEL405PL</b>
Reinforced key and barrel	<b>NSYTERPL</b>
JIS key and barrel	<b>NSYTELJISPL</b>
FAC key and barrel	<b>NSYTELFACPL</b>
Manual	<b>NSYTEMPL</b>

# Accessories

## Locking system



### Padlocking accessories

- Padlocking system, catalog no. **NSYKPLM**, positioned around the rectangular escutcheon of enclosures with a height of  $\leq 847$  mm (33.3 in.) to block access to the lock. For a  $\varnothing 9$  mm (0.4 in.) padlock.
- Padlocking system, catalog no. **NSYBCPL**, positioned around the long rectangular escutcheon of enclosures **NSYPLM108/T**, to block access to the lock. For a  $\varnothing 9$  mm (0.4 in.) padlock.
- Padlocking system, catalog no. **NSYBCME**, to block access to the retractable handle, for versions **NSYPLM••V** or optionally for enclosures **NSYPLM108/T**. For a  $\varnothing 9$  mm (0.4 in.) padlock.

# Accessories

## Mounting accessories

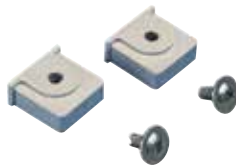
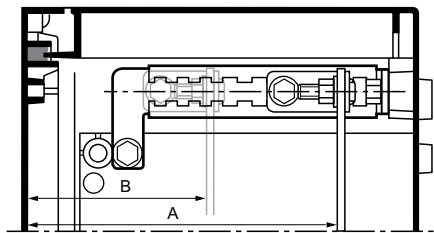


### Step slides

#### For depth adjustment of the mounting plate

- Kit includes 4 step slides with brackets, allowing depth adjustment with a pitch of 12.5 mm (0.5 in.), and mounting hardware.
- Material: galvanized steel.

For wall-mounting enclosure	Depth adjustment		Catalog number
	Depth: mm (in.)	Dimension A: mm (in.)	
200 (7.9)	156 (6.1)	94 (3.7)	<b>NSYDPLM200</b>
250 (9.8)	200 (7.9)	100 (3.9)	<b>NSYDPLM250</b>
300 (11.8)	250 (9.8)	100 (3.9)	<b>NSYDPLM300</b>
350 (13.8)	306 (12.0)	106 (4.2)	<b>NSYDPLM350</b>



### Plastic nuts for rail mounting

- The nuts slide directly into the notches on the rear of the enclosures, except for enclosures **NSYPLM3025/T**. The notches have a pitch of 25 mm (1.0 in.). They allow direct mounting of symmetrical DIN rails by self-tapping screws. Option of raising the rails with an M6 spacer. See **NSYTCSM6PLM** below.
- Order in multiples of 20.

Description	Catalog number
Plastic nut with self-tapping screw	<b>NSYTCSPLM</b>
Plastic nut containing an M6 metal nut	<b>NSYTCSM6PLM</b>

6



### 35-mm (1.4 in.) symmetrical DIN rails

- The DIN rails are mounted in the notches on the rear of the enclosure with direct-mounting nuts **NSYTCSPLM** or **NSYTCSM6PLM**.
- Treated steel.
- Order in multiples of 2.

Rail length: mm (in.)	For wall-mounting enclosure	Catalog number
	Width: mm (in.)	
215 (8.5)	180 (7.1)	<b>NSYCS200PLM</b>
330 (13.0)	280 (11.0)	<b>NSYCS300PLM</b>
430/435 (16.9/17.1)	380 (15.0)	<b>NSYCS400PLM</b>
535 (21.1)	480 (18.9)	<b>NSYCS500PLM</b>
635 (25.0)	580 (22.8)	<b>NSYCS600PLM</b>
850 (33.5)	795 (31.3)	<b>NSYCS800PLM</b>



See also these accessories

Vertical rails  
Page 8/8

Rails  
Page 8/48

Screws  
Page 8/65

Cable support  
Page 8/81

# Accessories

## Miscellaneous



### Mounting inserts

- Expanding inserts for the M6 bosses of the enclosure, the M5 or M6 bosses of the door and the M8 bosses of the external rear part of the enclosure.
- M5 and M6 inserts order in multiples of 20.
- M8 inserts order in multiples of 8.

Insert size	For wall-mounting enclosure	Catalog number
M5	NSYPLM43 and NSYPLM54	<b>NSYTEX5</b>
M6	NSYPLM64 and NSYPLM108	<b>NSYTEX6</b>
M8	For the rear of the enclosure	<b>NSYTEX8</b>



NSYCAG35LP

### Ventilation louvers

- The louvers can be positioned inside wall-mounting enclosures with heights of 430 to 846 mm (16.9 to 33.3 in.), allowing ventilation through the channels of the enclosure.
- The degree of protection at the rear of the enclosure is IP44.
- Supply: two ventilation louvers.



Description	Catalog number
Ventilation louvers	<b>NSYCAG35LP</b>

For ventilation louvers, ventilation devices with filters, fans and thermal adjustment accessories, see ClimaSys™ section.



NSYVEA9

### Water drain plug

- For drainage of condensation water.
- The plug is placed in the Ø9 mm (0.4 in.) housing at the bottom of the enclosure.
- IP55.
- Order in multiples of 10.

Description	Catalog number
Water drain plug	<b>NSYVEA9</b>



See also these accessories

Lighting  
Page 8/90

# Thalassa PLMEX polyester wall-mounting enclosures compliant with the ATEX directive

High protection



Practical



Antistatic



Solid



Smart

# Thalassa PLMEX polyester wall-mounting enclosures compliant with the ATEX directive

## High protection:

Built-in canopy.  
High degree of protection: IP66.  
Locks outside the sealed zone.

## Solid:

Single-piece body.  
IK10 resistance to impacts.  
Corrosion-resistant pin.

## Practical:

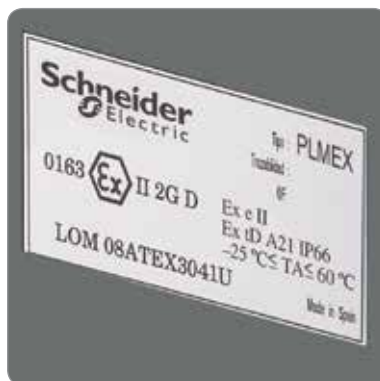
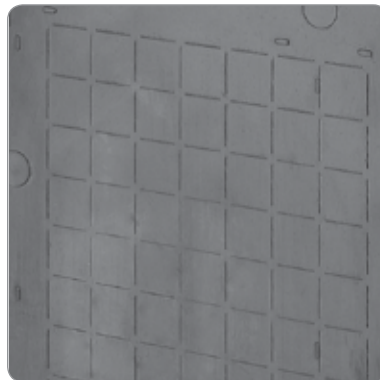
Opens to 180°.  
Can open to the right or left by turning the enclosure over.

## Smart:

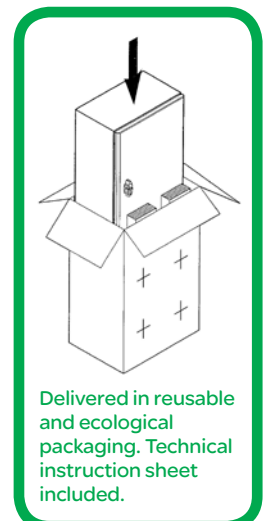
Grid pattern on the back of the door.  
One notch every 25 mm (1.0 in.) for easy mounting of DIN rails.

## Antistatic:

No static electricity thanks to the presence of graphite additives in the polyester.



Specific ATEX marking.



Delivered in reusable and ecological packaging. Technical instruction sheet included.

# Thalassa PLMEX polyester wall-mounting enclosures

## Characteristics



The enclosures must be mounted with 4 stainless-steel lugs, which are mounted in inserts on the rear of the enclosure, in horizontal or vertical position. Catalog no.: **NSYPFXPLM**.

### Technical characteristics

The Thalassa ATEX range of polyester enclosures is certified by the LOM with no. LOM 08ATEX3041U (component certificate).



Download ATEX certificates and product sheets from our website.

The enclosures have the following marks:

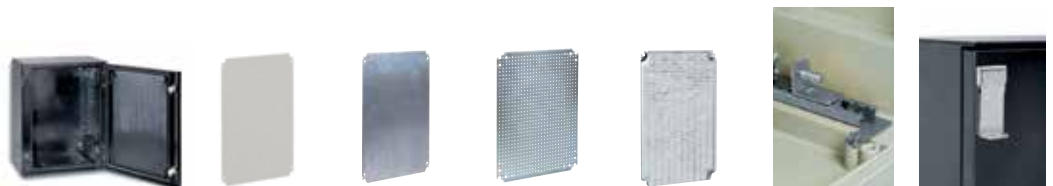
Ⓔ II 2 GD Ex e II Ex tD A21 IP66 according to ATEX directive 94/9/EC and standards EN 60079-0 (2004), EN 60079-7 (2006), EN 61241-0 (2005) and EN 61241-1 (2004).

Specifications	NSYPLMEX3025	NSYPLMEX43/54/64/75/86	NSYPLMEX108
Degree of protection	IP66	IP66	IP66
Impact resistance	IK10	IK10	IK10
Built-in canopy	No	Yes	Yes
Opening	120°	180°	180°
Pins	Stainless steel	Polyamide	Stainless steel
Locking system	2 double-bar lock	2 double-bar lock	1 lock with double-bar insert and 4-point closure
Lock outside sealed zone	No	Yes	Yes
Notch system for DIN rails every 25 mm	No	Yes	Yes
Mounting plate assembly	Installed studs	Inserts and studs	Inserts and studs

### Specific ATEX characteristics

- The surface resistance is <math>< 10^9 \Omega</math>.
- Ambient temperature limits: - Black color.

### Selection guide for wall-mounting enclosures and main accessories



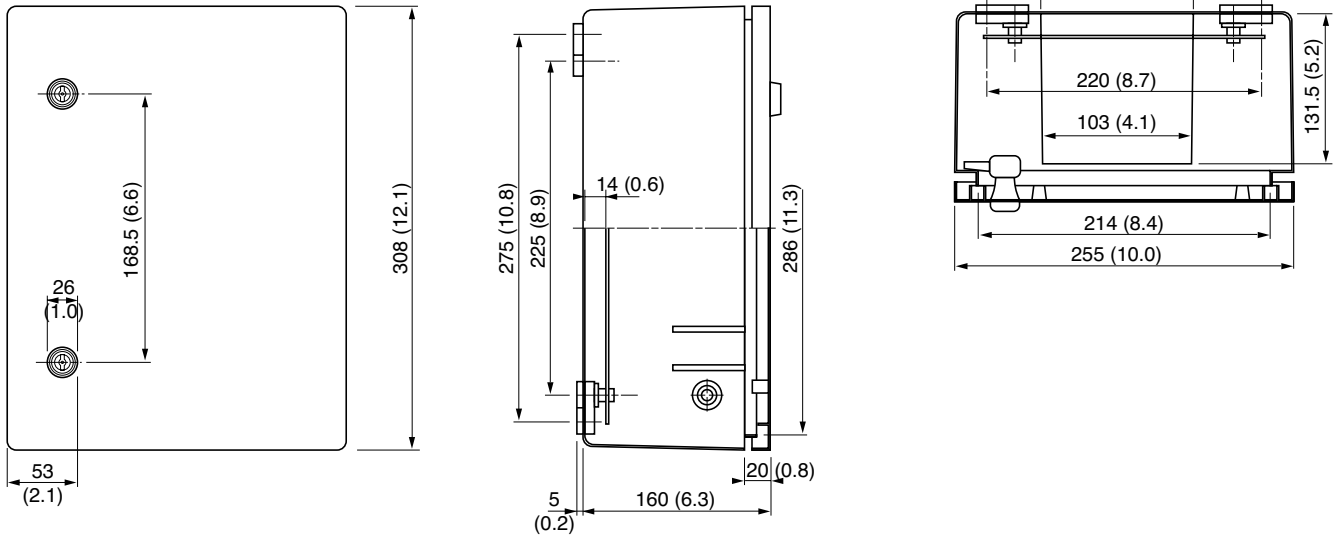
External dimensions: mm (in.)			Catalog number	Metallic mounting plate catalog number				Catalog number	
Height	Width	Depth	Enclosures	Plain	Silk-screened	Microperforated	Telequick	Step slides	Padlocking
308 (12.1)	255 (10.0)	160 (6.3)	NSYPLMEX3025	NSYMM3025	-	-	NSYMR3025	-	-
430 (16.9)	330 (13.0)	200 (7.9)	NSYPLMEX43	NSYMM43	NSYMS43	NSYMF43	NSYMR43	NSYDPLM200	NSYKPLM
530 (20.9)	430 (16.9)	200 (7.9)	NSYPLMEX54	NSYMM54	NSYMS54	NSYMF54	NSYMR54	NSYDPLM200	NSYKPLM
647 (25.5)	436 (17.2)	250 (9.8)	NSYPLMEX64	NSYMM64	NSYMS64	NSYMF64	NSYMR64	NSYDPLM250	NSYKPLM
747 (29.4)	536 (21.1)	300 (11.8)	NSYPLMEX75	NSYMM75	NSYMS75	NSYMF75	NSYMR75	NSYDPLM300	NSYKPLM
847 (33.3)	636 (25.0)	300 (11.8)	NSYPLMEX86	NSYMM86	NSYMS86	NSYMF86	NSYMR86	NSYDPLM300	NSYKPLM
1056 (41.6)	852 (33.5)	350 (13.8)	NSYPLMEX108	NSYMM108	-	NSYMF108	NSYMR108	NSYDPLM350	NSYBCPL

Accessories for Thalassa PLM enclosures can be installed in Thalassa PLMEX enclosures. However, plastic accessories should not be used, due to the possibility of a static charge.

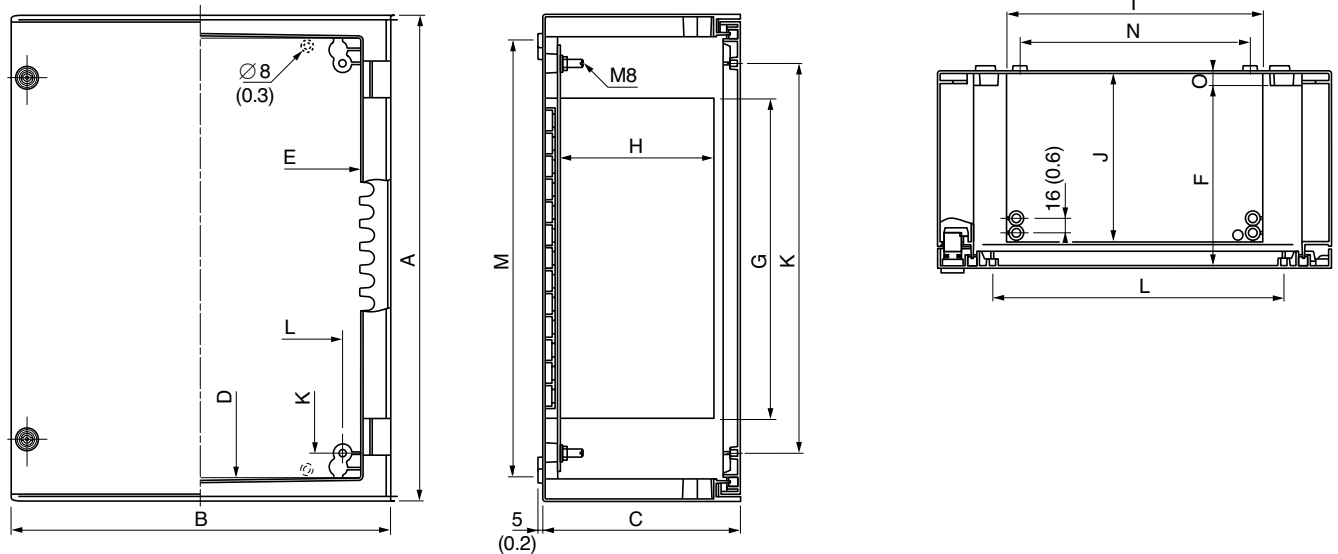
# Thalassa PLMEX polyester wall-mounting enclosures

## Dimensions

Catalog no. NSYPLMEX3025



Catalog no. NSYPLMEX43/54/64/75/86/108\*



Dimensions: mm (in.)										Bottom screw and door bosses		Mounting	Catalog number
A	B	C	D	E	F	G	H	I	J	K	L	O	
430 (16.9)	330 (13.0)	200 (7.9)	380 (15.0)	260 (10.2)	181 (7.1)	247 (9.7)	150 (5.9)	179 (7.0)	168 (6.6)	325 (12.8)	225 (8.9)	13 (0.5)	NSYPLMEX43
530 (20.9)	430 (16.9)	200 (7.9)	480 (18.9)	360 (14.2)	181 (7.1)	347 (13.7)	150 (5.9)	279 (11.0)	168 (6.6)	425 (16.7)	325 (12.8)	13 (0.5)	NSYPLMEX54
647 (25.5)	436 (17.2)	250 (9.8)	580 (22.8)	360 (14.2)	228 (9.0)	388 (15.3)	192 (7.6)	279 (11.0)	212 (8.3)	525 (20.7)	325 (12.8)	13 (0.5)	NSYPLMEX64
747 (29.4)	536 (21.1)	300 (11.8)	680 (26.8)	460 (18.1)	278 (10.9)	487 (19.2)	241 (9.5)	379 (14.9)	261 (10.3)	625 (24.6)	425 (16.7)	15 (0.6)	NSYPLMEX75
847 (33.3)	636 (25.0)	300 (11.8)	780 (30.7)	560 (22.0)	278 (10.9)	587 (23.1)	241 (9.5)	479 (18.9)	261 (10.3)	725 (28.5)	525 (20.7)	15 (0.6)	NSYPLMEX86
1056 (41.6)	852 (33.5)	350 (13.8)	980 (38.6)	760 (29.9)	327 (12.9)	775 (30.5)	280 (11.0)	680 (26.8)	300 (11.8)	925 (36.4)	725 (28.5)	15 (0.6)	NSYPLMEX108



# Polyester floor-standing enclosures

**Service life**  
High resistance to corrosion in harsh environments, helps maintain mechanical and insulation properties.

**Protection**

- IP44 or 54 and IP65 in the industrial version.
- Polyurethane gasket.
- Lock outside sealed area.

**Smart**

- Door with rippled surface to discourage posting.
- Reversible door (1-door enclosure).
- Numerous mounting bosses on the doors and panels.

**Choice**  
4 enclosure versions, available in 40 dimensions with 3-door versions.

**Easy**

- Opening to 120° or 180°.
- The central upright can be removed.
- Numerous mounting points.

**Applications**

- Industry or infrastructures in harsh environments.



6

## General characteristics of the floor-standing enclosure

- Indoor or outdoor use.
- 4 versions:
  - Sealed enclosure (PLA version).
  - Enclosure with ventilated canopy (PLAT version).
  - Enclosure with plinth-type open bottom (PLAZ version).
  - Enclosure with plinth-type open bottom and ventilated canopy (PLAZT version).
- 40 sizes:
  - 5 heights from 500 to 1500 mm (19.7 to 59.1 in.).
  - 4 widths: 500 and 750 mm (19.7 and 29.5 in.) for 1 door, 1000 and 1250 mm (39.4 and 49.2 in.) for 2 doors.
  - 2 depths: 320 and 420 mm (12.6 and 16.5 in.).
  - Note: The numeric portion of the catalog numbers indicates the dimension of the product in dm.
  - The 2-door enclosures have a central upright, which can be removed in certain conditions. Please contact us.
- 3 types of doors:
  - Plain door.
  - Door with transparent window (index T at the end of the catalog number).
  - Door with anti-posting surface (index R at the end of the catalog number).
- Protection degree IP65 or IP54 according to standard IEC 60529.
- Impact resistance IK10 for the plain doors and all sides and IK08 for the glazed door.
- 2-point closure for heights of 500 and 750 mm (19.7 and 29.5 in.) and 4-point closure for heights  $\geq 1000$  mm (39.4 in.).

## Material characteristics

The floor-standing enclosures are made from polyester reinforced with fiberglass, molded by thermal compression, RAL 7032 gray. This material:

- Is insulating: several kV per mm.
- Can be machined easily.
- Is resistant to corrosion: does not rust and can withstand many chemical substances.
- Resists bad weather (rain, UV).
- Withstands cold and heat in the range of  $-50$  °C... $+150$  °C.
- Does not soften under heat (ball resistance at  $+150$  °C).
- Is self-extinguishing (HB40 classification and self-extinguishing in several seconds during the glow-wire test at  $960$  °C during 30 s.).
- Does not contain halogens.
- Releases little smoke and nontoxic smoke in the case of combustion.
- Is light.

## Characteristics of the production process

The components of the enclosures (the various sides and doors) are molded by thermal compression. The pieces have an excellent finish on both sides and can include numerous bosses for accommodating inserts and mounting or cable-management accessories.

## Complies with enclosure standard IEC 62208 for:

Degree of protection, resistance to impacts, resistance to heat and fire, insulation 5000 V, resistance to bad weather and corrosion and resistance to internal loads ( $150$  kg/m<sup>2</sup>) and loads on the door ( $30$  kg/m<sup>2</sup>).

## Full insulation to create class II units according to IEC 64139-1.

## UL certification and NEMA classification 4X, 5, 12 and 13, depending on the version.

## Complies with the RoHS Directive.

# Sealed enclosures IP65

## Selection guide



Sealed enclosure with plain door.

### Characteristics of the PLA version

- Enclosure is composed of:
  - 1 sealed top.
  - 1 sealed bottom.
  - 2 sides.
  - 1 or 2 rear panels (according to width).
  - 1 or 2 doors (according to width).
- Indoor use.
- Outdoor use possible with a canopy (ordered separately).
- Protection degree IP65 according to IEC 60529.
- Locking system with escutcheon and 5-mm (0.2 in.) double-bar insert, included in the standard supply. Other inserts or locks with handles are available as options.
- Door opening to 120°.
- Direct mounting to the floor or with an optional plinth with a height of 60 mm (2.4 in.).
- Possibility of mounting on a semi-embedded plinth, see page 6/45.
- Optional wall-mounting lugs.



Transparent door made from polyester and tempered glass.



Escutcheon with double-bar insert.



Detail from the internal locking system.

External dimensions: mm (in.)				Catalog number of enclosures with door	
Height	Width	Depth	N° of doors	Plain	Glazed
500 (19.7)	500 (19.7)	320 (12.6)	1	NSYPLA553	NSYPLA553T
500 (19.7)	500 (19.7)	420 (16.5)	1	NSYPLA554	NSYPLA554T
500 (19.7)	750 (29.5)	320 (12.6)	1	NSYPLA573	NSYPLA573T
500 (19.7)	750 (29.5)	420 (16.5)	1	NSYPLA574	NSYPLA574T
500 (19.7)	1000 (39.4)	320 (12.6)	2	NSYPLA5103	NSYPLA5103T
500 (19.7)	1000 (39.4)	420 (16.5)	2	NSYPLA5104	NSYPLA5104T
500 (19.7)	1250 (49.2)	320 (12.6)	2	NSYPLA5123	NSYPLA5123T
500 (19.7)	1250 (49.2)	420 (16.5)	2	NSYPLA5124	NSYPLA5124T
750 (29.5)	500 (19.7)	320 (12.6)	1	NSYPLA753	NSYPLA753T
750 (29.5)	500 (19.7)	420 (16.5)	1	NSYPLA754	NSYPLA754T
750 (29.5)	750 (29.5)	320 (12.6)	1	NSYPLA773	NSYPLA773T
750 (29.5)	750 (29.5)	420 (16.5)	1	NSYPLA774	NSYPLA774T
750 (29.5)	1000 (39.4)	320 (12.6)	2	NSYPLA7103	NSYPLA7103T
750 (29.5)	1000 (39.4)	420 (16.5)	2	NSYPLA7104	NSYPLA7104T
750 (29.5)	1250 (49.2)	320 (12.6)	2	NSYPLA7123	NSYPLA7123T
750 (29.5)	1250 (49.2)	420 (16.5)	2	NSYPLA7124	NSYPLA7124T
1000 (39.4)	500 (19.7)	320 (12.6)	1	NSYPLA1053	NSYPLA1053T
1000 (39.4)	500 (19.7)	420 (16.5)	1	NSYPLA1054	NSYPLA1054T
1000 (39.4)	750 (29.5)	320 (12.6)	1	NSYPLA1073	NSYPLA1073T
1000 (39.4)	750 (29.5)	420 (16.5)	1	NSYPLA1074	NSYPLA1074T
1000 (39.4)	1000 (39.4)	320 (12.6)	2	NSYPLA10103	NSYPLA10103T
1000 (39.4)	1000 (39.4)	420 (16.5)	2	NSYPLA10104	NSYPLA10104T
1000 (39.4)	1250 (49.2)	320 (12.6)	2	NSYPLA10123	NSYPLA10123T
1000 (39.4)	1250 (49.2)	420 (16.5)	2	NSYPLA10124	NSYPLA10124T
1250 (49.2)	500 (19.7)	320 (12.6)	1	NSYPLA1253	NSYPLA1253T
1250 (49.2)	500 (19.7)	420 (16.5)	1	NSYPLA1254	NSYPLA1254T
1250 (49.2)	750 (29.5)	320 (12.6)	1	NSYPLA1273	NSYPLA1273T
1250 (49.2)	750 (29.5)	420 (16.5)	1	NSYPLA1274	NSYPLA1274T
1250 (49.2)	1000 (39.4)	320 (12.6)	2	NSYPLA12103	NSYPLA12103T
1250 (49.2)	1000 (39.4)	420 (16.5)	2	NSYPLA12104	NSYPLA12104T
1250 (49.2)	1250 (49.2)	320 (12.6)	2	NSYPLA12123	NSYPLA12123T
1250 (49.2)	1250 (49.2)	420 (16.5)	2	NSYPLA12124	NSYPLA12124T
1500 (59.1)	500 (19.7)	320 (12.6)	1	NSYPLA1553	NSYPLA1553T
1500 (59.1)	500 (19.7)	420 (16.5)	1	NSYPLA1554	NSYPLA1554T
1500 (59.1)	750 (29.5)	320 (12.6)	1	NSYPLA1573	NSYPLA1573T
1500 (59.1)	750 (29.5)	420 (16.5)	1	NSYPLA1574	NSYPLA1574T
1500 (59.1)	1000 (39.4)	320 (12.6)	2	NSYPLA15103	NSYPLA15103T
1500 (59.1)	1000 (39.4)	420 (16.5)	2	NSYPLA15104	NSYPLA15104T
1500 (59.1)	1250 (49.2)	320 (12.6)	2	NSYPLA15123	NSYPLA15123T
1500 (59.1)	1250 (49.2)	420 (16.5)	2	NSYPLA15124	NSYPLA15124T

# Enclosures with ventilated canopy IP44

## Selection guide



Enclosure with ventilated canopy and plain door.

### Characteristics of the PLAT version

- Enclosure is composed of:
  - 1 open top with canopy.
  - 1 sealed bottom.
  - 2 sides.
  - 1 or 2 rear panels (according to width).
  - 1 or 2 doors (according to width).
- Outdoor use.
- Protection degree IP44 according to IEC 60529.
- Protection degree IP54 with 1 or 2 internal grilles, catalog no. **NSYCAG125LPP**, ordered separately.
- Locking system with handle with a 5-mm (0.2 in.) double-bar insert block, included in the standard supply. Other blocks with inserts or barrels and keys optionally available.
- Door opening to 120°.
- Direct mounting to the floor or with an optional plinth with a height of 60 mm (2.4 in.).
- Possibility of mounting on a semi-embedded plinth, see page 6/45.
- Optional wall-mounting lugs.



Open top with canopy allowing for ventilation.

External dimensions: mm (in.)				Catalog number of enclosures with door
Height	Width	Depth	N° of doors	Plain
500 (19.7)	500 (19.7)	320 (12.6)	1	<b>NSYPLAT553</b>
500 (19.7)	500 (19.7)	420 (16.5)	1	<b>NSYPLAT554</b>
500 (19.7)	750 (29.5)	320 (12.6)	1	<b>NSYPLAT573</b>
500 (19.7)	750 (29.5)	420 (16.5)	1	<b>NSYPLAT574</b>
500 (19.7)	1000 (39.4)	320 (12.6)	2	<b>NSYPLAT5103</b>
500 (19.7)	1000 (39.4)	420 (16.5)	2	<b>NSYPLAT5104</b>
500 (19.7)	1250 (49.2)	320 (12.6)	2	<b>NSYPLAT5123</b>
500 (19.7)	1250 (49.2)	420 (16.5)	2	<b>NSYPLAT5124</b>
750 (29.5)	500 (19.7)	320 (12.6)	1	<b>NSYPLAT753</b>
750 (29.5)	500 (19.7)	420 (16.5)	1	<b>NSYPLAT754</b>
750 (29.5)	750 (29.5)	320 (12.6)	1	<b>NSYPLAT773</b>
750 (29.5)	750 (29.5)	420 (16.5)	1	<b>NSYPLAT774</b>
750 (29.5)	1000 (39.4)	320 (12.6)	2	<b>NSYPLAT7103</b>
750 (29.5)	1000 (39.4)	420 (16.5)	2	<b>NSYPLAT7104</b>
750 (29.5)	1250 (49.2)	320 (12.6)	2	<b>NSYPLAT7123</b>
750 (29.5)	1250 (49.2)	420 (16.5)	2	<b>NSYPLAT7124</b>
1000 (39.4)	500 (19.7)	320 (12.6)	1	<b>NSYPLAT1053</b>
1000 (39.4)	500 (19.7)	420 (16.5)	1	<b>NSYPLAT1054</b>
1000 (39.4)	750 (29.5)	320 (12.6)	1	<b>NSYPLAT1073</b>
1000 (39.4)	750 (29.5)	420 (16.5)	1	<b>NSYPLAT1074</b>
1000 (39.4)	1000 (39.4)	320 (12.6)	2	<b>NSYPLAT10103</b>
1000 (39.4)	1000 (39.4)	420 (16.5)	2	<b>NSYPLAT10104</b>
1000 (39.4)	1250 (49.2)	320 (12.6)	2	<b>NSYPLAT10123</b>
1000 (39.4)	1250 (49.2)	420 (16.5)	2	<b>NSYPLAT10124</b>
1250 (49.2)	500 (19.7)	320 (12.6)	1	<b>NSYPLAT1253</b>
1250 (49.2)	500 (19.7)	420 (16.5)	1	<b>NSYPLAT1254</b>
1250 (49.2)	750 (29.5)	320 (12.6)	1	<b>NSYPLAT1273</b>
1250 (49.2)	750 (29.5)	420 (16.5)	1	<b>NSYPLAT1274</b>
1250 (49.2)	1000 (39.4)	320 (12.6)	2	<b>NSYPLAT12103</b>
1250 (49.2)	1000 (39.4)	420 (16.5)	2	<b>NSYPLAT12104</b>
1250 (49.2)	1250 (49.2)	320 (12.6)	2	<b>NSYPLAT12123</b>
1250 (49.2)	1250 (49.2)	420 (16.5)	2	<b>NSYPLAT12124</b>
1500 (59.1)	500 (19.7)	320 (12.6)	1	<b>NSYPLAT1553</b>
1500 (59.1)	500 (19.7)	420 (16.5)	1	<b>NSYPLAT1554</b>
1500 (59.1)	750 (29.5)	320 (12.6)	1	<b>NSYPLAT1573</b>
1500 (59.1)	750 (29.5)	420 (16.5)	1	<b>NSYPLAT1574</b>
1500 (59.1)	1000 (39.4)	320 (12.6)	2	<b>NSYPLAT15103</b>
1500 (59.1)	1000 (39.4)	420 (16.5)	2	<b>NSYPLAT15104</b>
1500 (59.1)	1250 (49.2)	320 (12.6)	2	<b>NSYPLAT15123</b>
1500 (59.1)	1250 (49.2)	420 (16.5)	2	<b>NSYPLAT15124</b>



External handle.



Door with anti-posting surface and additional reinforcement.



Various bosses for M8 inserts.

# Enclosures with plinth-type open bottom IP54

## Selection guide



Enclosure with open bottom.

### Characteristics of the PLAZ version

- Enclosure is composed of:
  - 1 sealed top.
  - 1 plinth-type open bottom.
  - 2 sides.
  - 1 or 2 rear panels (according to width).
  - 1 or 2 doors (according to width).
- Indoor use.
- Outdoor use with a canopy (ordered separately).
- Protection degree IP54 according to IEC 60529, for the 5 sides of the enclosure.
- Locking system with handle with a 5-mm (0.2 in.) double-bar insert block, included in the standard supply. Other blocks with inserts or barrels and keys optionally available.
- Door opening to 120°.
- The open bottom forms a 60-mm (2.4 in.) plinth which is attached to the floor directly or with an optional mounting frame; or it can be installed on a semi-embedded plinth.



Polyurethane sealing gasket and 120° hinge.



Detail from the plinth-type bottom, equipped with a cable-entry plate (optional).



Plain mounting plate installed on step slides and compulsory adapter plates in all the enclosures with open bottom.

External dimensions: mm (in.)				Catalog number of enclosures with door
Height	Width	Depth	N° of doors	Plain
500 (19.7)	500 (19.7)	320 (12.6)	1	NSYPLAZ553
500 (19.7)	500 (19.7)	420 (16.5)	1	NSYPLAZ554
500 (19.7)	750 (29.5)	320 (12.6)	1	NSYPLAZ573
500 (19.7)	750 (29.5)	420 (16.5)	1	NSYPLAZ574
500 (19.7)	1000 (39.4)	320 (12.6)	2	NSYPLAZ5103
500 (19.7)	1000 (39.4)	420 (16.5)	2	NSYPLAZ5104
500 (19.7)	1250 (49.2)	320 (12.6)	2	NSYPLAZ5123
500 (19.7)	1250 (49.2)	420 (16.5)	2	NSYPLAZ5124
750 (29.5)	500 (19.7)	320 (12.6)	1	NSYPLAZ753
750 (29.5)	500 (19.7)	420 (16.5)	1	NSYPLAZ754
750 (29.5)	750 (29.5)	320 (12.6)	1	NSYPLAZ773
750 (29.5)	750 (29.5)	420 (16.5)	1	NSYPLAZ774
750 (29.5)	1000 (39.4)	320 (12.6)	2	NSYPLAZ7103
750 (29.5)	1000 (39.4)	420 (16.5)	2	NSYPLAZ7104
750 (29.5)	1250 (49.2)	320 (12.6)	2	NSYPLAZ7123
750 (29.5)	1250 (49.2)	420 (16.5)	2	NSYPLAZ7124
1000 (39.4)	500 (19.7)	320 (12.6)	1	NSYPLAZ1053
1000 (39.4)	500 (19.7)	420 (16.5)	1	NSYPLAZ1054
1000 (39.4)	750 (29.5)	320 (12.6)	1	NSYPLAZ1073
1000 (39.4)	750 (29.5)	420 (16.5)	1	NSYPLAZ1074
1000 (39.4)	1000 (39.4)	320 (12.6)	2	NSYPLAZ10103
1000 (39.4)	1000 (39.4)	420 (16.5)	2	NSYPLAZ10104
1000 (39.4)	1250 (49.2)	320 (12.6)	2	NSYPLAZ10123
1000 (39.4)	1250 (49.2)	420 (16.5)	2	NSYPLAZ10124
1250 (49.2)	500 (19.7)	320 (12.6)	1	NSYPLAZ1253
1250 (49.2)	500 (19.7)	420 (16.5)	1	NSYPLAZ1254
1250 (49.2)	750 (29.5)	320 (12.6)	1	NSYPLAZ1273
1250 (49.2)	750 (29.5)	420 (16.5)	1	NSYPLAZ1274
1250 (49.2)	1000 (39.4)	320 (12.6)	2	NSYPLAZ12103
1250 (49.2)	1000 (39.4)	420 (16.5)	2	NSYPLAZ12104
1250 (49.2)	1250 (49.2)	320 (12.6)	2	NSYPLAZ12123
1250 (49.2)	1250 (49.2)	420 (16.5)	2	NSYPLAZ12124
1500 (59.1)	500 (19.7)	320 (12.6)	1	NSYPLAZ1553
1500 (59.1)	500 (19.7)	420 (16.5)	1	NSYPLAZ1554
1500 (59.1)	750 (29.5)	320 (12.6)	1	NSYPLAZ1573
1500 (59.1)	750 (29.5)	420 (16.5)	1	NSYPLAZ1574
1500 (59.1)	1000 (39.4)	320 (12.6)	2	NSYPLAZ15103
1500 (59.1)	1000 (39.4)	420 (16.5)	2	NSYPLAZ15104
1500 (59.1)	1250 (49.2)	320 (12.6)	2	NSYPLAZ15123
1500 (59.1)	1250 (49.2)	420 (16.5)	2	NSYPLAZ15124

# Enclosures with plinth-type open bottom and ventilated canopy IP44

## Selection guide



Enclosure with plinth-type open bottom, ventilated canopy.

### Characteristics of the PLAZT version

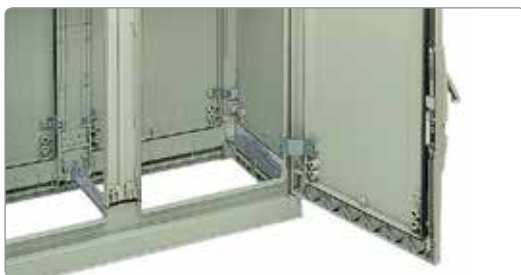
- Enclosure is composed of:
  - 1 open top with canopy.
  - 1 plinth-type open bottom.
  - 2 sides.
  - 1 or 2 rear panels (according to width).
  - 1 or 2 doors (according to width).
- Outdoor use.
- Protection degree IP44 according to IEC 60529, for the 5 sides of the enclosure.
- Protection degree IP54 with 1 or 2 internal grilles, catalog no. **NSYCAG125LPP**, ordered separately.
- Locking system with handle with a 5-mm (0.2 in.) double-bar insert block. Other blocks with inserts or barrels and keys optionally available.
- Door opening to 180°.
- Anti-lever system to help prevent forcing of the door.
- The open bottom forms a 60-mm (2.4 in.) plinth which is attached to the floor directly or with an optional mounting frame; or it can be installed on a semi-embedded plinth.



Door opening to 180°.



Anti-lever security system.



Bottom open for undergrounding cable access.



M8 mounting bosses on the inside of the door.

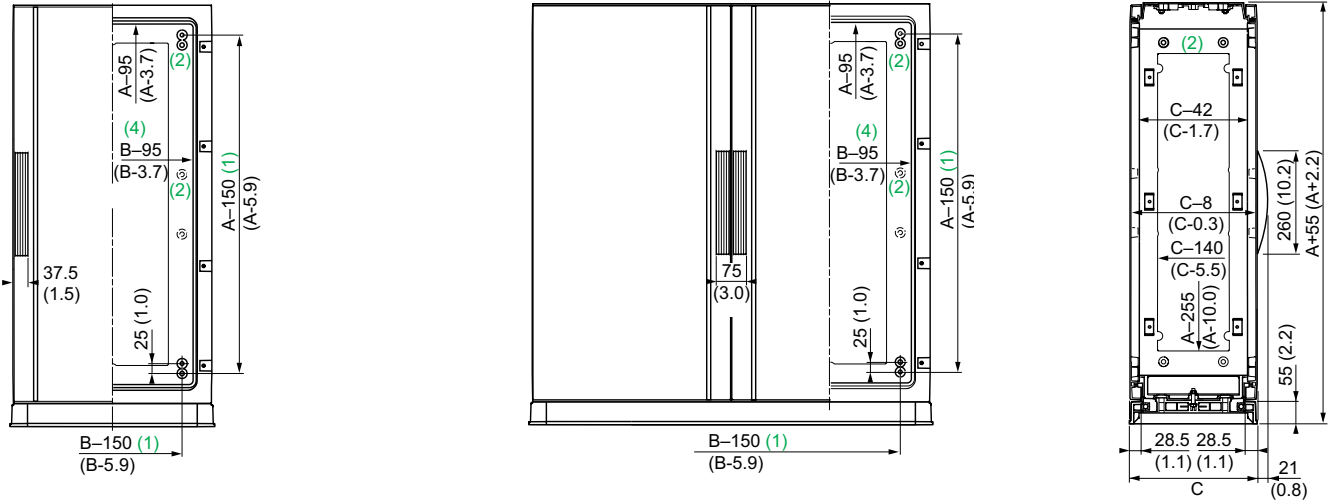
External dimensions: mm (in.)				Catalog number of enclosures with door
Height	Width	Depth	N° of doors	Plain
500 (19.7)	500 (19.7)	320 (12.6)	1	<b>NSYPLAZT553</b>
500 (19.7)	500 (19.7)	420 (16.5)	1	<b>NSYPLAZT554</b>
500 (19.7)	750 (29.5)	320 (12.6)	1	<b>NSYPLAZT573</b>
500 (19.7)	750 (29.5)	420 (16.5)	1	<b>NSYPLAZT574</b>
500 (19.7)	1000 (39.4)	320 (12.6)	2	<b>NSYPLAZT5103</b>
500 (19.7)	1000 (39.4)	420 (16.5)	2	<b>NSYPLAZT5104</b>
500 (19.7)	1250 (49.2)	320 (12.6)	2	<b>NSYPLAZT5123</b>
500 (19.7)	1250 (49.2)	420 (16.5)	2	<b>NSYPLAZT5124</b>
750 (29.5)	500 (19.7)	320 (12.6)	1	<b>NSYPLAZT753</b>
750 (29.5)	500 (19.7)	420 (16.5)	1	<b>NSYPLAZT754</b>
750 (29.5)	750 (29.5)	320 (12.6)	1	<b>NSYPLAZT773</b>
750 (29.5)	750 (29.5)	420 (16.5)	1	<b>NSYPLAZT774</b>
750 (29.5)	1000 (39.4)	320 (12.6)	2	<b>NSYPLAZT7103</b>
750 (29.5)	1000 (39.4)	420 (16.5)	2	<b>NSYPLAZT7104</b>
750 (29.5)	1250 (49.2)	320 (12.6)	2	<b>NSYPLAZT7123</b>
750 (29.5)	1250 (49.2)	420 (16.5)	2	<b>NSYPLAZT7124</b>
1000 (39.4)	500 (19.7)	320 (12.6)	1	<b>NSYPLAZT1053</b>
1000 (39.4)	500 (19.7)	420 (16.5)	1	<b>NSYPLAZT1054</b>
1000 (39.4)	750 (29.5)	320 (12.6)	1	<b>NSYPLAZT1073</b>
1000 (39.4)	750 (29.5)	420 (16.5)	1	<b>NSYPLAZT1074</b>
1000 (39.4)	1000 (39.4)	320 (12.6)	2	<b>NSYPLAZT10103</b>
1000 (39.4)	1000 (39.4)	420 (16.5)	2	<b>NSYPLAZT10104</b>
1000 (39.4)	1250 (49.2)	320 (12.6)	2	<b>NSYPLAZT10123</b>
1000 (39.4)	1250 (49.2)	420 (16.5)	2	<b>NSYPLAZT10124</b>
1250 (49.2)	500 (19.7)	320 (12.6)	1	<b>NSYPLAZT1253</b>
1250 (49.2)	500 (19.7)	420 (16.5)	1	<b>NSYPLAZT1254</b>
1250 (49.2)	750 (29.5)	320 (12.6)	1	<b>NSYPLAZT1273</b>
1250 (49.2)	750 (29.5)	420 (16.5)	1	<b>NSYPLAZT1274</b>
1250 (49.2)	1000 (39.4)	320 (12.6)	2	<b>NSYPLAZT12103</b>
1250 (49.2)	1000 (39.4)	420 (16.5)	2	<b>NSYPLAZT12104</b>
1250 (49.2)	1250 (49.2)	320 (12.6)	2	<b>NSYPLAZT12123</b>
1250 (49.2)	1250 (49.2)	420 (16.5)	2	<b>NSYPLAZT12124</b>
1500 (59.1)	500 (19.7)	320 (12.6)	1	<b>NSYPLAZT15104</b>
1500 (59.1)	500 (19.7)	420 (16.5)	1	<b>NSYPLAZT1554</b>
1500 (59.1)	750 (29.5)	320 (12.6)	1	<b>NSYPLAZT1573</b>
1500 (59.1)	750 (29.5)	420 (16.5)	1	<b>NSYPLAZT1574</b>
1500 (59.1)	1000 (39.4)	320 (12.6)	2	<b>NSYPLAZT15103</b>
1500 (59.1)	1000 (39.4)	420 (16.5)	2	<b>NSYPLAZT15104</b>
1500 (59.1)	1250 (49.2)	320 (12.6)	2	<b>NSYPLAZT15123</b>
1500 (59.1)	1250 (49.2)	420 (16.5)	2	<b>NSYPLAZT15124</b>



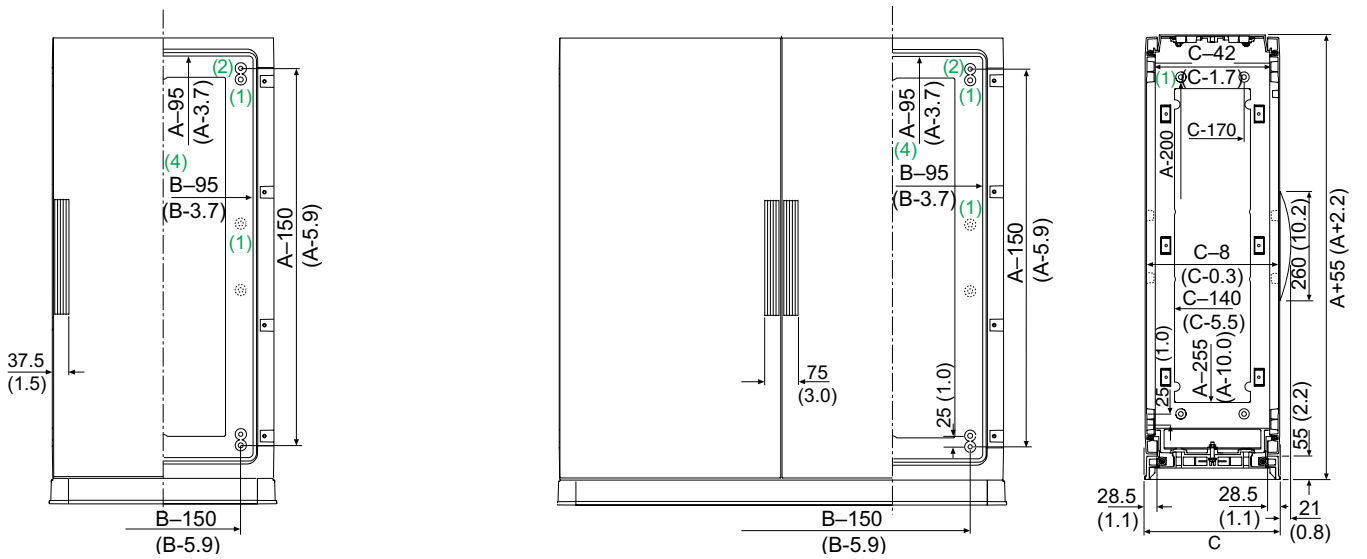
# Polyester floor-standing enclosures

## Dimensions

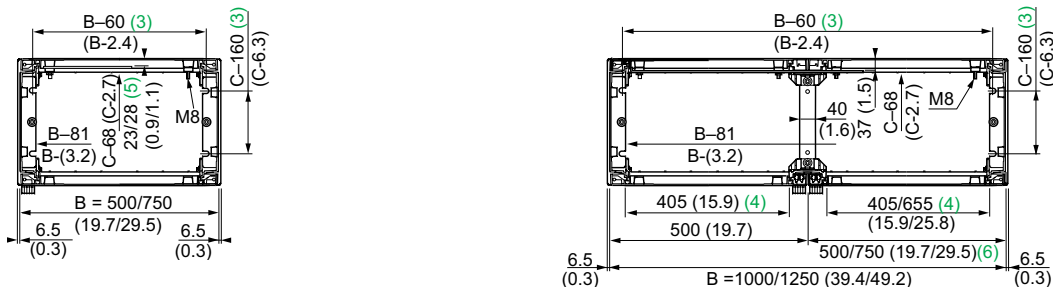
### Enclosure with plinth-type open bottom



### Enclosure with ventilated canopy and plinth-type open bottom



### Common top views



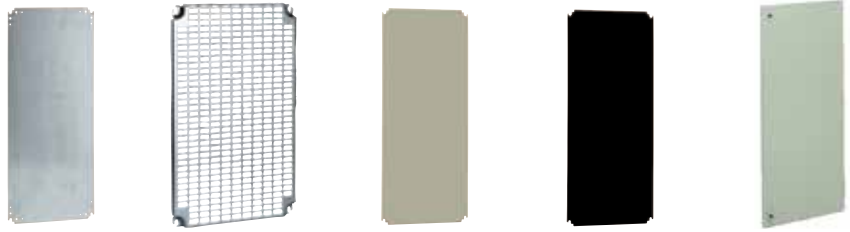
- (1) 4 bosses with M8 inserts and studs for direct mounting of mounting plates.
- (2) Bosses designed to accommodate M8 inserts, catalog no. **NSYTEX8**. They are placed:
  - On the back of the enclosure, from the height of 1000 mm (39.4 in.). They allow the mounting of partial mounting plates and assorted equipment.
  - On the top and bottom parts of the enclosure. They are used for mounting the step slides, an internal door, 19" chassis, etc.
- (3) Dimensions for mounting on the floor or on a plinth.
- (4) Entry dimensions, door open.
- (5) Dimension of 28 mm (1.1 in.) for enclosures with heights of more than 1000 mm (39.4 in.) (height after the installation of the plain mounting plates with reinforcement foldings).
- (6) With a width of 1250 mm (49.2 in.) in standard supply, 500-mm (19.7 in.) door on the left and 750-mm (29.5 in.) door on the right.



# Polyester floor-standing enclosures

## Accessory selection guide

### Mounting accessories



Enclosure dimensions: mm (in.)			Metallic mounting plates		Insulating mounting plates		Internal door
Height	Width	N° of doors	Plain	Telequick	Polyester	Bakelite	Page 6/48
			Page 6/52	Page 6/53	Page 6/52		
500 (19.7)	500 (19.7)	1	NSYPMM55	NSYPMR55	NSYPMA55	NSYPMB55	NSYPAPLA55
500 (19.7)	750 (29.5)	1	NSYPMM75	NSYPMR57	NSYPMA75	NSYPMB75	NSYPAPLA57
500 (19.7)	1000 (39.4)	2	NSYPMM510	2 × NSYPMR55	NSYPMA510	NSYPMB510	2 × NSYPAPLA55
500 (19.7)	1250 (49.2)	2	NSYPMM55 + NSYPMM75	NSYPMR55 + NSYPMR57	NSYPMA55 + NSYPMA75	NSYPMB55 + NSYPMB75	NSYPAPLA55 + NSYPAPLA57
750 (29.5)	500 (19.7)	1	NSYPMM75	NSYPMR75	NSYPMA75	NSYPMB75	NSYPAPLA75
750 (29.5)	750 (29.5)	1	NSYPMM77	NSYPMR77	NSYPMA77	NSYPMB77	NSYPAPLA77
750 (29.5)	1000 (39.4)	2	NSYPMM710	2 × NSYPMR75	NSYPMA710	NSYPMB710	2 × NSYPAPLA75
750 (29.5)	1250 (49.2)	2	NSYPMM712	NSYPMR75 + NSYPMR77	NSYPMA712	NSYPMB712	NSYPAPLA75 + NSYPAPLA77
1000 (39.4)	500 (19.7)	1	NSYPMM105	NSYPMR105	NSYPMA105	NSYPMB105	NSYPAPLA105
1000 (39.4)	750 (29.5)	1	NSYPMM107	NSYPMR107	NSYPMA107	NSYPMB107	NSYPAPLA107
1000 (39.4)	1000 (39.4)	2	NSYPMM1010	2 × NSYPMR105	NSYPMA1010	NSYPMB1010	2 × NSYPAPLA105
1000 (39.4)	1250 (49.2)	2	NSYPMM1012	NSYPMR105 + NSYPMR107	NSYPMA1012	NSYPMB1012	NSYPAPLA105 + NSYPAPLA107
1250 (49.2)	500 (19.7)	1	NSYPMM125	NSYPMR125	NSYPMA125	NSYPMB125	NSYPAPLA125
1250 (49.2)	750 (29.5)	1	NSYPMM127	NSYPMR127	NSYPMA127	NSYPMB127	NSYPAPLA127
1250 (49.2)	1000 (39.4)	2	NSYPMM1210	2 × NSYPMR125	NSYPMA1210	NSYPMB1210	2 × NSYPAPLA125
1250 (49.2)	1250 (49.2)	2	NSYPMM1212	NSYPMR125 + NSYPMR127	NSYPMA1212	NSYPMB1212	NSYPAPLA125 + NSYPAPLA127
1500 (59.1)	500 (19.7)	1	NSYPMM155	NSYPMR155	NSYPMA155	NSYPMB155	NSYPAPLA155
1500 (59.1)	750 (29.5)	1	NSYPMM157	NSYPMR157	NSYPMA157	NSYPMB157	NSYPAPLA157
1500 (59.1)	1000 (39.4)	2	NSYPMM1510	2 × NSYPMR155	NSYPMA1510	NSYPMB1510	2 × NSYPAPLA155
1500 (59.1)	1250 (49.2)	2	NSYPMM1512	NSYPMR155 + NSYPMR157	NSYPMA1512	NSYPMB1512	NSYPAPLA155 + NSYPAPLA157

6

#### Step slides



Page 6/54

#### Uprights and mounting rails



Page 6/56

#### Door retainer

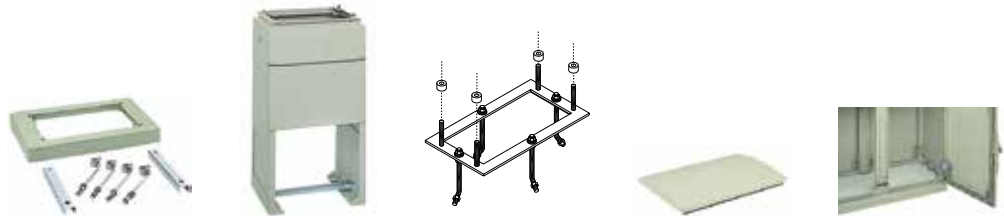


Page 6/48

# Polyester floor-standing enclosures

## Accessory selection guide

### Accessories



Enclosure dimensions: mm (in.)		N plinth		Floor-mounting frame	Canopy	Cable-entry plate
		Height 60 mm (2.4 in.)	Height 90 mm (3.5 in.)			
Width	Depth	Page 6/44		Page 6/45	Page 6/46	Page 6/47
500 (19.7)	320 (12.6)	NSYZNPLA53	NSYZHPLA53	NSYMFPLAZ53	NSYTJPLA53	NSYECPLAZ53
500 (19.7)	420 (16.5)	NSYZNPLA54	NSYZHPLA54	NSYMFPLAZ54	NSYTJPLA54	NSYECPLAZ54
750 (29.5)	320 (12.6)	NSYZNPLA73	NSYZHPLA73	NSYMFPLAZ73	NSYTJPLA73	NSYECPLAZ73
750 (29.5)	420 (16.5)	NSYZNPLA74	NSYZHPLA74	NSYMFPLAZ74	NSYTJPLA74	NSYECPLAZ74
1000 (39.4)	320 (12.6)	NSYZNPLA103	NSYZHPLA103	NSYMFPLAZ103	NSYTJPLA103	NSYECPLAZ103
1000 (39.4)	420 (16.5)	NSYZNPLA104	NSYZHPLA104	NSYMFPLAZ104	NSYTJPLA104	NSYECPLAZ104
1250 (49.2)	320 (12.6)	NSYZNPLA123	NSYZHPLA123	NSYMFPLAZ123	NSYTJPLA123	NSYECPLAZ123
1250 (49.2)	420 (16.5)	NSYZNPLA124	NSYZHPLA124	NSYMFPLAZ124	NSYTJPLA124	NSYECPLAZ124

**Door switch**

**Page**  
6/49

**Insert**

**Page**  
6/56

**Document pocket**

**Page**  
8/94

**Coupling Kit**

**Page**  
6/42

**Handles and inserts**

**Page**  
6/50

**Wall-mounting lug**

**Page**  
6/46

# Accessories

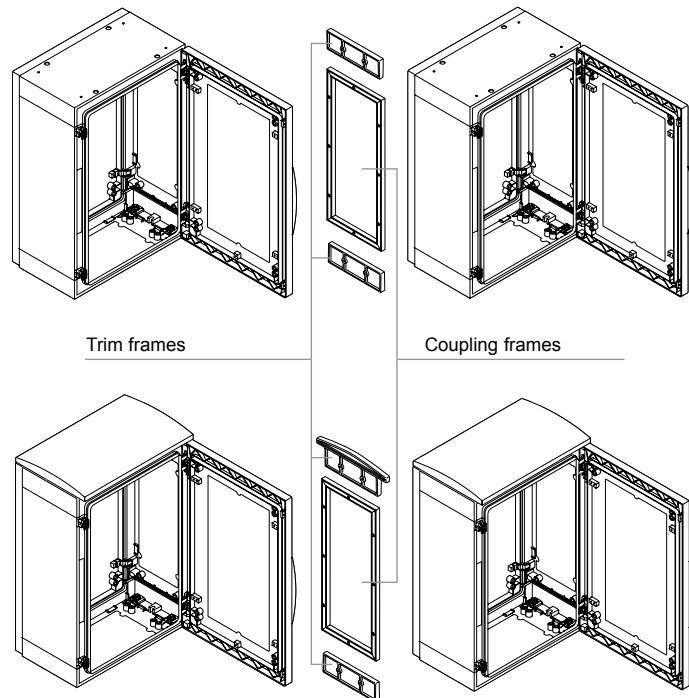
## Coupling accessories

### Horizontal coupling kits

- For coupling 2 enclosures side by side.
- Coupling frame kit consists of a coupling kit and the mounting hardware.
- IP55 at the coupling point.
- Trim kit consists of 2 frames for aesthetic fitting of the 2 joined enclosures.

For enclosure	Catalog number of coupling frame kit for enclosure: mm (in.)	
	Depth 320 mm (12.6 in.)	Depth 420 mm (16.5 in.)
Height: mm (in.)		
500 (19.7)	<b>NSYMUPLA53</b>	<b>NSYMUPLA54</b>
750 (29.5)	<b>NSYMUPLA73</b>	<b>NSYMUPLA74</b>
1000 (39.4)	<b>NSYMUPLA103</b>	<b>NSYMUPLA104</b>
1250 (49.2)	<b>NSYMUPLA123</b>	<b>NSYMUPLA124</b>
1500 (59.1)	<b>NSYMUPLA153</b>	<b>NSYMUPLA154</b>

For enclosure	Catalog number of trim kit for enclosure: mm (in.)	
	Depth 320 mm (12.6 in.)	Depth 420 mm (16.5 in.)
Without canopy	<b>NSYSUPLA3</b>	<b>NSYSUPLA4</b>
With canopy	<b>NSYSUPLA3T</b>	<b>NSYSUPLA4T</b>



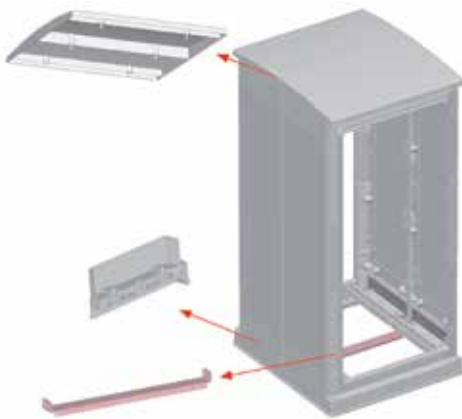
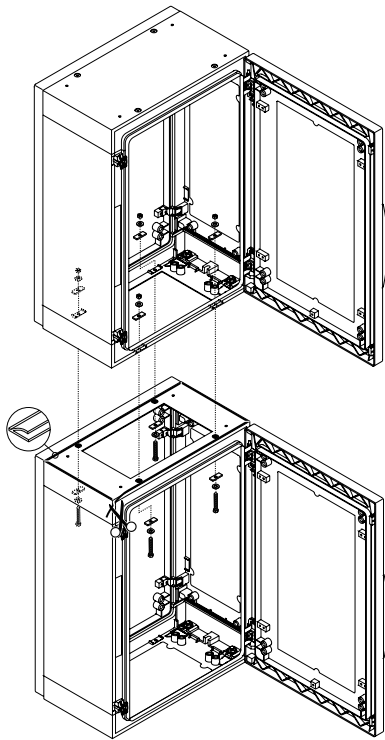
# Accessories

## Coupling accessories

### Vertical coupling kit

- For coupling 2 enclosures on top of one another.
- Kit consists of 3.5 m (137.8 in.) of adhesive seal and the mounting hardware.
- IP55 at the coupling point.

Description	Catalog number
Vertical coupling kit	NSYUVPLA



Specific

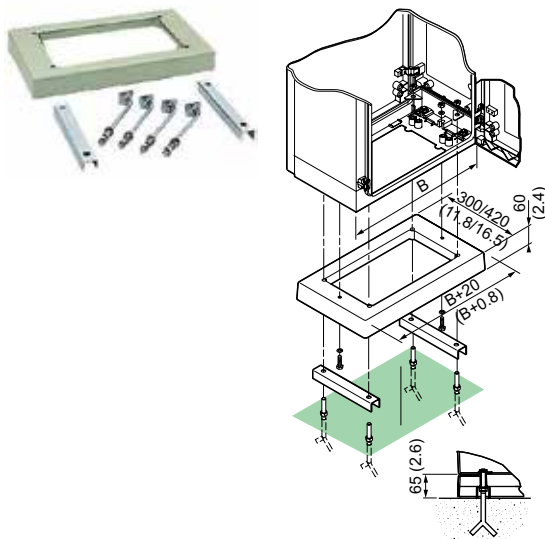
### Enhanced depth enclosure

- After machining, the frames of the standard enclosures are joined in the factory to obtain very deep floor-standing enclosures.
- 3 possible depths: 575, 675 and 775 mm (22.6, 26.6 and 30.5 in.).
- The internal volume of the standard enclosures remains unaffected.
- Possible for the 4 enclosure versions, in particular for 19" applications with widths of 750 and 1250 mm (29.5 and 49.2 in.).
- IP44 in the version with ventilated canopy, IP54 for the other versions.
- Roof made from polyester reinforced with fiberglass, for dimensions: 750 × 575 mm (29.5 × 22.6 in.), 750 × 775 mm (29.5 × 30.5 in.), 1250 × 575 mm (49.2 × 22.6 in.) and 1250 × 775 mm (49.2 × 30.5 in.).
- A rear door can be installed in the joined enclosures. Option of installing 2 sets of step slides (at the front and at the rear).
- Supply or installation in the enclosures of a 19" chassis with side trim plate installed on the step slides:
  - 19 U (1), height 1000 mm (39.4 in.)
  - 23 U, height 1250 mm (49.2 in.)
  - 25 U, height 1500 mm (59.1 in.)

(1) U = 44.45 mm (1.8 in.).

# Accessories

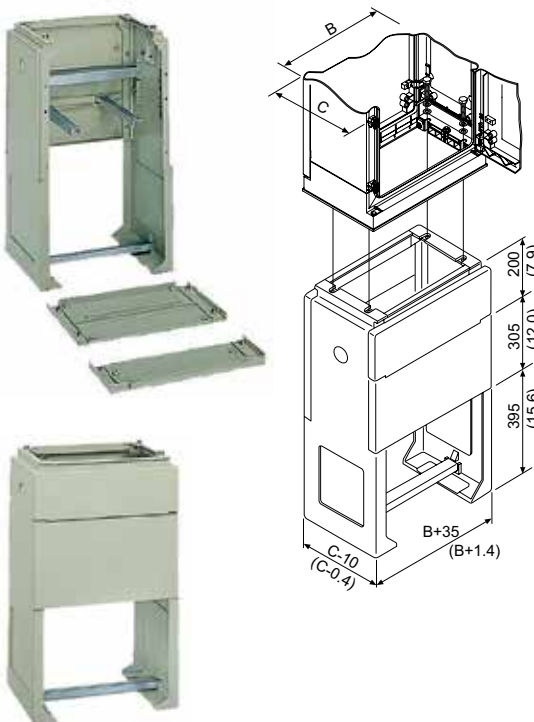
## Base accessories



### N plinth height 60 mm (2.4 in.)

- Designed to be installed under enclosures with sealed bottom (versions PLA or PLAT).
- Polyester reinforced with fiberglass, molded by hot compression, RAL 7032 gray.

For enclosure: mm (in.)		Catalog number
Width (B)	Depth	
500 (19.7)	320 (12.6)	<b>NSYZNPLA53</b>
750 (29.5)	320 (12.6)	<b>NSYZNPLA73</b>
1000 (39.4)	320 (12.6)	<b>NSYZNPLA103</b>
1250 (49.2)	320 (12.6)	<b>NSYZNPLA123</b>
500 (19.7)	420 (16.5)	<b>NSYZNPLA54</b>
750 (29.5)	420 (16.5)	<b>NSYZNPLA74</b>
1000 (39.4)	420 (16.5)	<b>NSYZNPLA104</b>
1250 (49.2)	420 (16.5)	<b>NSYZNPLA124</b>



### H plinth height 900 mm (35.4 in.) partly embedded

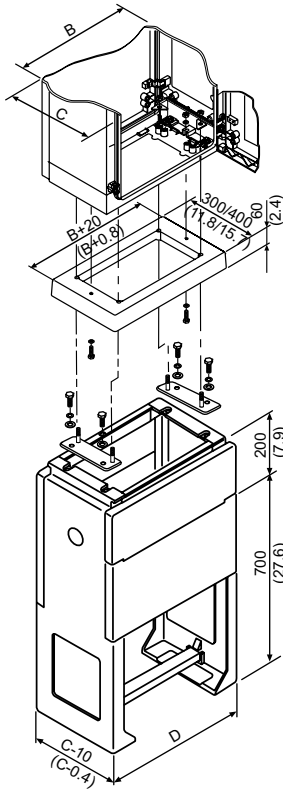
- Designed to be installed under the enclosures with open bottoms (versions PLAZ or PLAZT).
- Polyester reinforced with fiberglass, molded by hot compression, RAL 7032 gray.
- Front panel with a height of 170 mm (6.7 in.), retractable, providing easy access to the inside.
- Fixed front panel with a height of 305 mm (12.0 in.), corresponding to the finished floor height area.
- The height above the floor after building-in varies between 200 and 500 mm (7.9 and 19.7 in.).
- A metal rail helps to fix the cables.
- Lateral uprights with knock-outs for auxiliary output with  $\varnothing$  48 mm (1.9 in.).
- A knock-out area is provided at the bottom of the side uprights for cable entry.
- Delivered with the mounting hardware.

For enclosure: mm (in.)		Catalog number
Width (B)	Depth (C)	
500 (19.7)	320 (12.6)	<b>NSYZHPLA53</b>
750 (29.5)	320 (12.6)	<b>NSYZHPLA73</b>
1000 (39.4)	320 (12.6)	<b>NSYZHPLA103</b>
1250 (49.2)	320 (12.6)	<b>NSYZHPLA123</b>
500 (19.7)	420 (16.5)	<b>NSYZHPLA54</b>
750 (29.5)	420 (16.5)	<b>NSYZHPLA74</b>
1000 (39.4)	420 (16.5)	<b>NSYZHPLA104</b>
1250 (49.2)	420 (16.5)	<b>NSYZHPLA124</b>

6

# Accessories

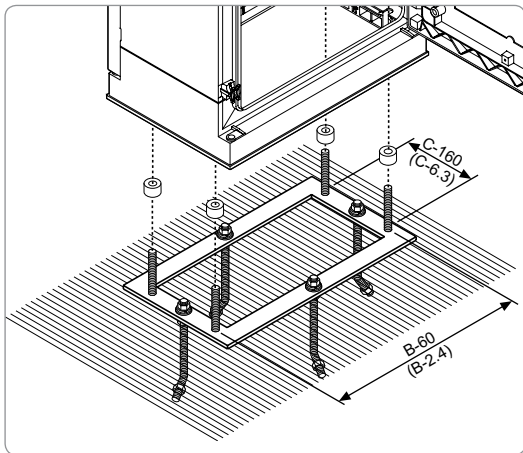
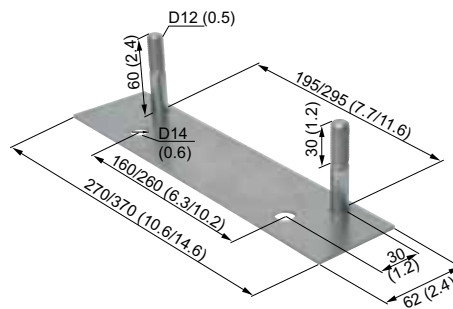
## Base accessories



### Connectors between plinths

- Designed to allow the adaptation of an enclosure with a sealed bottom and an N plinth on an H-type partly embedded plinth.
- Supply: 2 pieces for adapting the center-to-center distances.

For enclosure: mm (in.)		Description	Catalog number
Depth			
320 (12.6)		Adapter pieces for N plinth on 320-mm H plinth	<b>NSYAZ3PLA</b>
420 (16.5)		Adapter pieces for N plinth on 420-mm H plinth	<b>NSYAZ4PLA</b>



### Floor-mounting frame

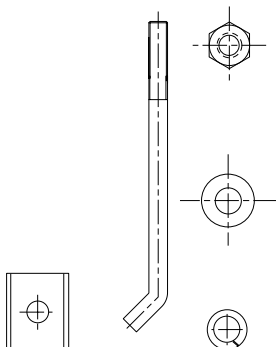
- Frame for mounting enclosures with open bottoms (versions PLAZ or PLAZT) on the floor.
- Material: passivated zinc-coated steel.

For enclosure: mm (in.)		Catalog number
Width (B)	Depth (C)	
500 (19.7)	320 (12.6)	<b>NSYMFPLAZ53</b>
750 (29.5)	320 (12.6)	<b>NSYMFPLAZ73</b>
1000 (39.4)	320 (12.6)	<b>NSYMFPLAZ103</b>
1250 (49.2)	320 (12.6)	<b>NSYMFPLAZ123</b>
500 (19.7)	420 (16.5)	<b>NSYMFPLAZ54</b>
750 (29.5)	420 (16.5)	<b>NSYMFPLAZ74</b>
1000 (39.4)	420 (16.5)	<b>NSYMFPLAZ104</b>
1250 (49.2)	420 (16.5)	<b>NSYMFPLAZ124</b>

### Floor-mounting studs

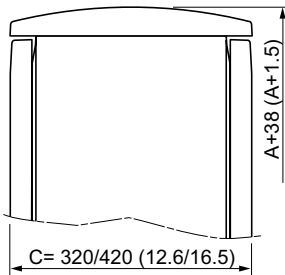
Set of 4 threaded parts and hardware, for mounting the enclosures in concrete plinths.

Description	Catalog number
Mounting studs	<b>NSYFSPLAZ</b>



# Accessories

## Mounting accessories



### Canopy

- Polyester material reinforced with fiberglass, molded by hot compression, self-extinguishing, RAL 7032 gray.
- The canopy can be installed in all enclosure models.
- High resistance to impacts, temperature and bad weather.
- Delivered with the mounting hardware.
- Increases the height (A) of the enclosure by 38 mm (1.5 in.), without modifying its width or depth.
- Essential for outdoor use.

For enclosure: mm (in.)		Catalog number
Width	Depth (C)	
500 (19.7)	320 (12.6)	<b>NSYTJPLA53</b>
750 (29.5)	320 (12.6)	<b>NSYTJPLA73</b>
1000 (39.4)	320 (12.6)	<b>NSYTJPLA103</b>
1250 (49.2)	320 (12.6)	<b>NSYTJPLA123</b>
500 (19.7)	420 (16.5)	<b>NSYTJPLA54</b>
750 (29.5)	420 (16.5)	<b>NSYTJPLA74</b>
1000 (39.4)	420 (16.5)	<b>NSYTJPLA104</b>
1250 (49.2)	420 (16.5)	<b>NSYTJPLA124</b>

### Grille for IP54 instead of IP44

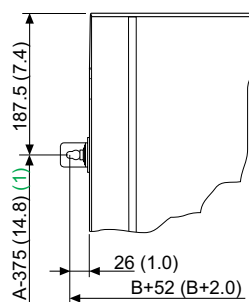
- For enclosure versions PLAT and PLAZT.
- The grille is installed from the inside in the upper ventilation opening.
- Delivered with G2 M1 standard synthetic filter, see **ClimaSys** section.
- 1 grille for 500 and 750-mm wide (19.7 and 29.5 in wide) enclosures; 2 grilles for 1000 and 1250-mm wide (39.4 and 49.2 in wide) enclosures.
- Helps prevent the entry of dust and provides the enclosure with IP54 protection at the top.
- Provides ventilation.

Description	Catalog number
Outlet grille	<b>NSYCAG125LPF</b>

### Wall-mounting lugs

- Mounting on the sides with 4 or 6 lugs in horizontal position (6 lugs for enclosures with height  $\geq 1000$  mm [39.4 in]).
- Drilling positions and marks inside the side panels.
- Passivated zinc-coated material.
- Maximum acceptable load: 180 kg (396.8 lbs).
- Set of 6 lugs and hardware.
- 10-mm (0.4 in.) mounting plane on the rear of the enclosure.

Description	Catalog number
Wall-mounting lugs	<b>NSYFMPLA</b>



(1) For enclosures with height  $\geq 1000$  mm (39.4 in.), 1 extra lug at the center of the A-375 (A-14.8 in.) side.

# Accessories

## Cable-entry accessories

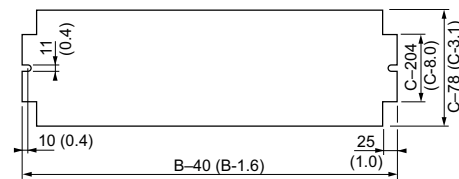


### Cable-entry plate

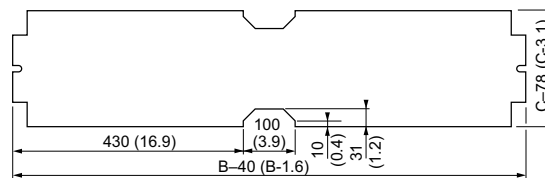
- Designed to be installed inside enclosures with open bottoms (versions PLAZ or PLAZT).
- Polyester material reinforced with fiberglass, thickness 4 mm (0.2 in.).
- Delivered with the mounting hardware.

For enclosure: mm (in.)		Catalog number
Width (B)	Depth (C)	
500 (19.7)	320 (12.6)	<b>NSYECPLAZ53</b>
750 (29.5)	320 (12.6)	<b>NSYECPLAZ73</b>
1000 (39.4)	320 (12.6)	<b>NSYECPLAZ103</b>
1250 (49.2)	320 (12.6)	<b>NSYECPLAZ123</b>
500 (19.7)	420 (16.5)	<b>NSYECPLAZ54</b>
750 (29.5)	420 (16.5)	<b>NSYECPLAZ74</b>
1000 (39.4)	420 (16.5)	<b>NSYECPLAZ104</b>
1250 (49.2)	420 (16.5)	<b>NSYECPLAZ124</b>

### Cable-entry plate (1-door enclosure)



### Cable-entry plate (2-door enclosure)



See also these accessories

Cable entries  
Page 8/68

Cable support  
Page 8/81



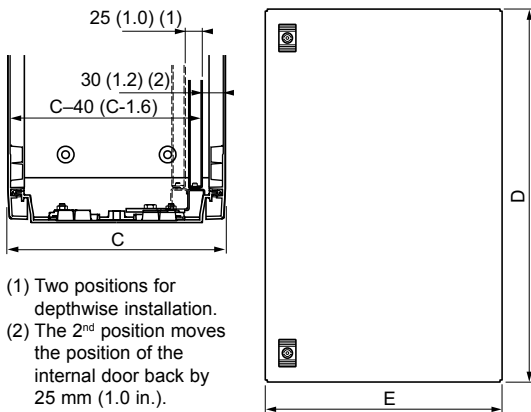
# Accessories

## Doors and door accessories



### Internal door

- Aluminum door, RAL 7032 gray.
- Designed for direct installation in enclosures with sealed bottoms. The internal door can be installed on enclosures with open bottoms by ordering adapter plates **NSYPTZ...**
- 2 positions on the top and bottom of the enclosure for mounting the internal door (1). The second position moves the internal door back by 25 mm (1.0 in.).
- Lock with 5-mm (0.2 in.) double-bar inserts.
- Delivered with M8 brass inserts and mountings.
- Incompatible with cable-entry plate and door retainer, catalog no. **NSYRETPLAU**.



- (1) Two positions for depthwise installation.  
 (2) The 2<sup>nd</sup> position moves the position of the internal door back by 25 mm (1.0 in.).

For enclosure: mm (in.)		Catalog number	Internal door dimensions: mm (in.)		Weight: kg (lbs)
Height	Width		D	E	
500 (19.7)	500 (19.7)	<b>NSYPAPLA55</b>	398 (15.7)	398 (15.7)	1.6 (3.5)
500 (19.7)	750 (29.5)	<b>NSYPAPLA57</b>	398 (15.7)	648 (25.5)	2.2 (4.9)
500 (19.7)	1000 (39.4)	<b>2 × NSYPAPLA55</b>	398 (15.7)	796 (2 × 398) [31.3 (2 × 15.7)]	3.2 (2 × 1.6) [7.3 (2 × 3.5)]
500 (19.7)	1250 (49.2)	<b>NSYPAPLA55 + NSYPAPLA57</b>	398 (15.7)	1046 (398 + 648) [41.2 (15.7 + 25.5)]	3.8 (1.6 + 2.2) [8.4 (3.5 + 4.9)]
750 (29.5)	500 (19.7)	<b>NSYPAPLA75</b>	648 (25.5)	398 (15.7)	2.2 (4.9)
750 (29.5)	750 (29.5)	<b>NSYPAPLA77</b>	648 (25.5)	648 (25.5)	3.1 (6.8)
750 (29.5)	1000 (39.4)	<b>2 × NSYPAPLA75</b>	648 (25.5)	796 (2 × 398) [31.3 (2 × 15.7)]	4.4 (2 × 2.2) [9.7 (2 × 4.9)]
750 (29.5)	1250 (49.2)	<b>NSYPAPLA75 + NSYPAPLA77</b>	648 (25.5)	1046 (398 + 648) [41.2 (15.7 + 25.5)]	5.3 (2.2 + 3.1) [11.7 (4.9 + 6.8)]
1000 (39.4)	500 (19.7)	<b>NSYPAPLA105</b>	898 (35.4)	398 (15.7)	2.8 (6.2)
1000 (39.4)	750 (29.5)	<b>NSYPAPLA107</b>	898 (35.4)	648 (25.5)	4.1 (9.0)
1000 (39.4)	1000 (39.4)	<b>2 × NSYPAPLA105</b>	898 (35.4)	796 (2 × 398) [31.3 (2 × 15.7)]	5.4 (2 × 2.8) [11.9 (2 × 6.2)]
1000 (39.4)	1250 (49.2)	<b>NSYPAPLA105 + NSYPAPLA107</b>	898 (35.4)	1046 (398 + 648) [41.2 (15.7 + 25.5)]	6.9 (2.8 + 4.1) [15.2 (6.2 + 9.0)]
1250 (49.2)	500 (19.7)	<b>NSYPAPLA125</b>	1148 (45.2)	398 (15.7)	3.4 (7.5)
1250 (49.2)	750 (29.5)	<b>NSYPAPLA127</b>	1148 (45.2)	648 (25.5)	5 (11.0)
1250 (49.2)	1000 (39.4)	<b>2 × NSYPAPLA125</b>	1148 (45.2)	796 (2 × 398) [31.3 (2 × 15.7)]	6.8 (2 × 3.4) [15.0 (2 × 7.5)]
1250 (49.2)	1250 (49.2)	<b>NSYPAPLA125 + NSYPAPLA127</b>	1148 (45.2)	1046 (398 + 648) [41.2 (15.7 + 25.5)]	8.4 (3.4 + 5) [18.5 (7.5 + 11.0)]
1500 (59.1)	500 (19.7)	<b>NSYPAPLA155</b>	1398 (55.0)	398 (15.7)	4 (8.8)
1500 (59.1)	750 (29.5)	<b>NSYPAPLA157</b>	1398 (55.0)	648 (25.5)	6 (13.2)
1500 (59.1)	1000 (39.4)	<b>2 × NSYPAPLA155</b>	1398 (55.0)	796 (2 × 398) [31.3 (2 × 15.7)]	8 (2 × 4) [17.6 (2 × 8.8)]
1500 (59.1)	1250 (49.2)	<b>NSYPAPLA155 + NSYPAPLA157</b>	1398 (55.0)	1046 (398 + 648) [41.2 (15.7 + 25.5)]	10 (4 + 6) [22.0 (8.8 + 13.2)]

6



**NSYRETPLA**



**NSYRETPLAU**

### Door retainer

- Designed to adapt directly to the enclosure.
- 2 models available according to the type of enclosure:
  - 1 model opening to 110° for enclosure versions PLA, PLAZ and PLAT.
  - 1 model with 2 positions, 90° and 120°, for all versions. Please note that this solution is not compatible with certain accessories. See Note below.
- Can be installed on a door opening to the left or right.
- Material: galvanized steel.
- Delivered with the installation hardware.

For enclosure	Catalog number
Version PLA, PLAZ, PLAT	<b>NSYRETPLA</b>
For all versions	<b>NSYRETPLAU</b>

**Note:** Catalog no. **NSYRETPLAU** is incompatible with internal doors, step slides, adapter plates and cable-entry plates. In the event of incompatibility, use catalog no. **NSYRETPLAZ**.

# Accessories

## Doors and door accessories



### Door switch

- Supply: switch, mounting bracket and hardware.
- NC + NO switch.
- Incompatible with the rear door.

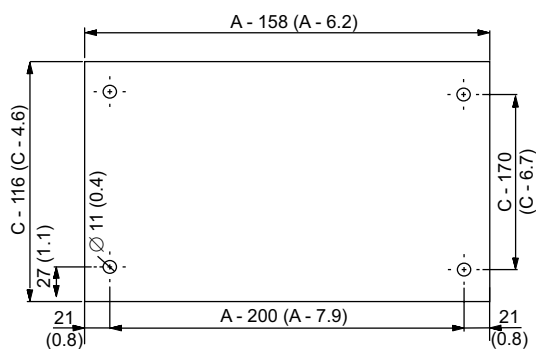
Description	Catalog number
Door switch	<b>NSYSNLPLA</b>



### Protection and support screen

- Protective screen made from transparent polycarbonate, protecting access to the switchgear of small enclosures.
- The screen is mounted with accessory **NSYSPTR77**, ordered separately.
- The screens and mounting hardware are ordered in multiples of 5.

For enclosure: mm (in.)		Catalog number
Width (A)	Height (C)	
500 (19.7)	500 (19.7)	<b>NSYPPTR55</b>
750 (29.5)	500 (19.7)	<b>NSYPPTR57</b>
500 (19.7)	750 (29.5)	<b>NSYPPTR75</b>
750 (29.5)	750 (29.5)	<b>NSYPPTR77</b>

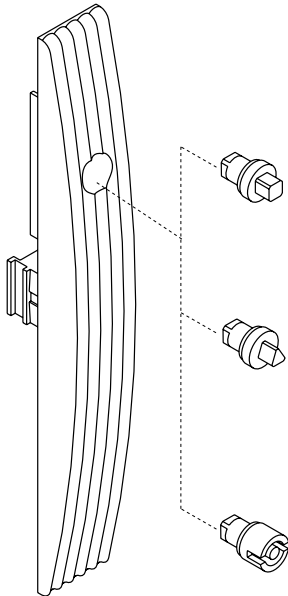


See also these accessories

Document pocket  
Page 8/94

# Accessories

## Locking system



### Locks with escutcheon and without handle

- Standard supply for enclosures with sealed tops and bottoms (PLA version).
- With 5-mm (0.2 in.) double-bar insert.
- PA6 material charged with fiberglass.
- RAL 7032 gray.
- Heat resistance to IEC60529: 650 °C.
- Resistance to external mechanical impacts: IK10.
- Insert breakage torque: 15 daN.

### Form insert options (supplied with the required operating key)

Description	Catalog number
7-mm (0.3 in.) square insert	<b>NSYTC7CRN</b>
8-mm (0.3 in.) square insert	<b>NSYTC8CRN</b>
6.5-mm (0.3 in.) triangular insert	<b>NSYTT6CRN</b>
8-mm (0.3 in.) triangular insert	<b>NSYTT8CRN</b>
5-mm (2.0 in.) double-bar insert	<b>NSYTDB5PLA</b>



**NSYBCPLA**

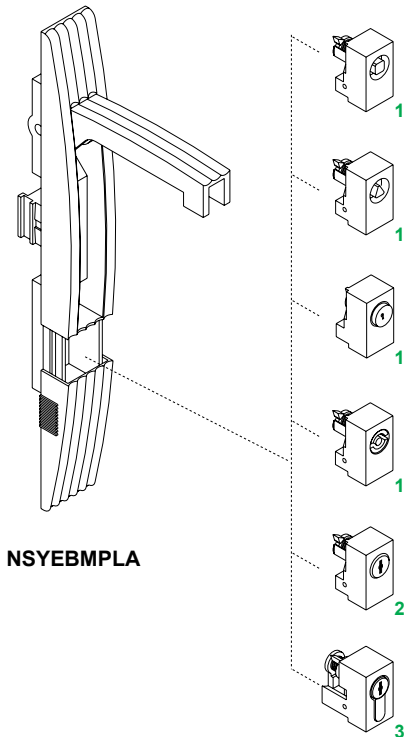
### Padlocking device

- The padlocking device helps prevent access to the lock-control insert. Opening diameter: 14 mm (0.6 in.).

Description	Catalog number
Padlocking device	<b>NSYBCPLA</b>

# Accessories

## Locking system



NSYEBMPLA

- 1 Block with form insert.
- 2 Block with cylindrical barrel.
- 3 Block with semi-cylindrical barrel.

### Lock with handle

- Option of replacing the escutcheon and the insert with a handle lock, catalog no. **NSYEBMPLA**, delivered without barrel or insert block.
- Select the insert or barrel from the option table below.
- Ergonomic locking system with pivoting handle installed as standard on enclosures with ventilated canopy and/or open bottoms (versions PLAT, PLAZ and PLAZT). With a 5-mm (0.2 in.) double-bar insert block.
- Material: PA6 charged with 30% fiberglass.
- RAL 7032 gray.
- Heat resistance to IEC60529: 650 °C.
- Resistance to external mechanical impacts: IK10.

### Form-insert block options (supplied with the required operating key)

Description	Catalog number
Block, 6-mm (0.2 in.) square insert	<b>NSYINS61</b>
Block, 7-mm (0.3 in.) square insert	<b>NSYINS71</b>
Block, 8-mm (0.3 in.) square insert	<b>NSYINS81</b>
Block, 6.5-mm (0.3 in.) triangular insert	<b>NSYINT61</b>
Block, 8-mm (0.3 in.) triangular insert	<b>NSYINT81</b>
Push-button	<b>NSYTSPLA</b>
Double bar	<b>NSYINDB51</b>

### Options for replacing blocks with cylindrical barrels

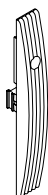
Type of key	Catalog number	Type of key	Catalog number
405E key	<b>NSYIN405E1</b>	2452E key	<b>NSYIN2452E1</b>
421E key	<b>NSYIN421E1</b>	3113A key	<b>NSYIN3113A1</b>
455 key	<b>NSYIN4551</b>	3122E key	<b>NSYIN3122E1</b>
1242E key	<b>NSYIN1242E1</b>	3123A key	<b>NSYIN3123A1</b>
1332E key	<b>NSYIN1332E1</b>	3133A key	<b>NSYIN3133A1</b>
2131A key	<b>NSYIN2131A1</b>	3422E key	<b>NSYIN3422E1</b>
2132A key	<b>NSYIN2132A1</b>	3432E key	<b>NSYIN3432E1</b>
2331A key	<b>NSYIN2331A1</b>	EDF 1300 key	<b>NSYINF1301</b>
2433A key	<b>NSYIN2433A1</b>	EDF 1400 key	<b>NSYINF1401</b>

### Options for replacing blocks with semi-cylindrical barrels

Description	Catalog number
1242E key	<b>NSYIN1242E1</b>
DIN adapter	<b>NSYINDIN2</b>
JIS key	<b>NSYINKJIS2</b>
Reinforced key	<b>NSYINKR2</b>
FAC key	<b>NSYINKFAC2</b>



NSYCBCMPLA



NSYEBPLA

### Handle options

- Optional replacement handle with a padlocking device (∅ 10 mm [0.4 in]).
- Optional replacement lock with an escutcheon and no handle, delivered without an insert. Select the insert from the Form insert options table on page 6/50.

Description	Catalog number
Padlocking handle	<b>NSYCBCMPLA</b>
Escutcheon without handle and insert	<b>NSYEBPLA</b>

# Accessories

## Installation accessories



### Metallic mounting plate

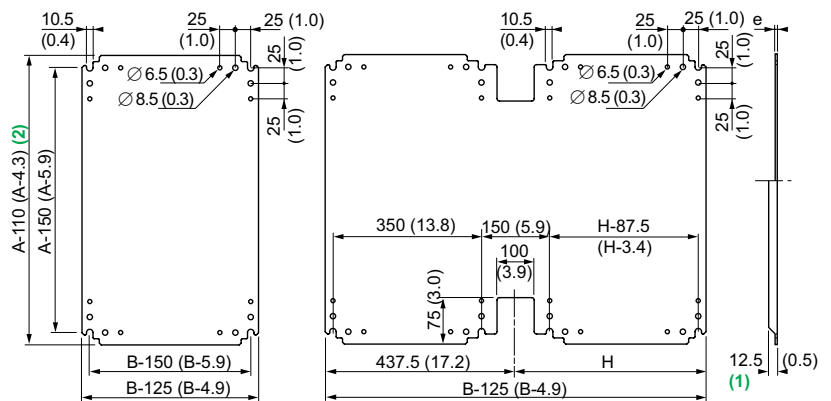
- Galvanized sheet-steel mounting plate.
- Direct installation on M8 inserts at the rear of the enclosure or on step slides for depth adjustment (see page 6/54). Enclosures with heights  $\geq 1000$  mm (39.4 in.) have intermediate impressions for installing mounting plates of lesser heights (M8 inserts, catalog no. **NSYTEX8**, ordered separately).
- In the 2-door enclosures, it is possible to install 1 complete mounting plate or 2 individual mounting plates.
- Maximum acceptable load: 150 kg/m<sup>2</sup>.
- Thickness: 2.5 mm (0.1 in.).

### Insulating mounting plate

- Bakelite mounting plate, RAL 9005 black.
- Polyester mounting plate, RAL 7035 gray.
- Maximum acceptable load: 150 kg/m<sup>2</sup>.
- Thickness: 4 mm (0.2 in.) for the 55 and 75 plates, 5 mm (0.2 in.) for the other plates.

For enclosure: mm (in.)		Mounting plate catalog number			Surface (dm <sup>2</sup> )	H: mm (in.)
Height (A)	Width (B)	Plain	Insulating			
			Bakelite	Polyester		
500 (19.7)	500 (19.7)	<b>NSYPMM55</b>	<b>NSYPMB55</b>	<b>NSYPMA55</b>	14	-
500 (19.7)	750 (29.5)	<b>NSYPMM75</b>	<b>NSYPMB75</b>	<b>NSYPMA75</b>	24	-
500 (19.7)	1000 (39.4)	<b>NSYPMM510</b>	<b>NSYPMB510</b>	<b>NSYPMA510</b>	32	437.5 (17.2)
500 (19.7)	1250 (49.2)	<b>NSYPMM55 + NSYPMM75</b>	<b>NSYPMB55 + NSYPMB75</b>	<b>NSYPMA55 + NSYPMA75</b>	-	-
750 (29.5)	500 (19.7)	<b>NSYPMM75</b>	<b>NSYPMB75</b>	<b>NSYPMA75</b>	24	-
750 (29.5)	750 (29.5)	<b>NSYPMM77</b>	<b>NSYPMB77</b>	<b>NSYPMA77</b>	40	-
750 (29.5)	1000 (39.4)	<b>NSYPMM710</b>	<b>NSYPMB710</b>	<b>NSYPMA710</b>	54	437.5 (17.2)
750 (29.5)	1250 (49.2)	<b>NSYPMM712</b>	<b>NSYPMB712</b>	<b>NSYPMA712</b>	70	687.5 (27.1)
1000 (39.4)	500 (19.7)	<b>NSYPMM105</b>	<b>NSYPMB105</b>	<b>NSYPMA105</b>	33	-
1000 (39.4)	750 (29.5)	<b>NSYPMM107</b>	<b>NSYPMB107</b>	<b>NSYPMA107</b>	55	-
1000 (39.4)	1000 (39.4)	<b>NSYPMM1010</b>	<b>NSYPMB1010</b>	<b>NSYPMA1010</b>	74	437.5 (17.2)
1000 (39.4)	1250 (49.2)	<b>NSYPMM1012</b>	<b>NSYPMB1012</b>	<b>NSYPMA1012</b>	96	687.5 (27.1)
1250 (49.2)	500 (19.7)	<b>NSYPMM125</b>	<b>NSYPMB125</b>	<b>NSYPMA125</b>	42	-
1250 (49.2)	750 (29.5)	<b>NSYPMM127</b>	<b>NSYPMB127</b>	<b>NSYPMA127</b>	70	-
1250 (49.2)	1000 (39.4)	<b>NSYPMM1210</b>	<b>NSYPMB1210</b>	<b>NSYPMA1210</b>	96	437.5 (17.2)
1250 (49.2)	1250 (49.2)	<b>NSYPMM1212</b>	<b>NSYPMB1212</b>	<b>NSYPMA1212</b>	124	687.5 (27.1)
1500 (59.1)	500 (19.7)	<b>NSYPMM155</b>	<b>NSYPMB155</b>	-	51	-
1500 (59.1)	750 (29.5)	<b>NSYPMM157</b>	<b>NSYPMB157</b>	-	85	-
1500 (59.1)	1000 (39.4)	<b>NSYPMM1510</b>	<b>NSYPMB1510</b>	-	118	437.5 (17.2)
1500 (59.1)	1250 (49.2)	<b>NSYPMM1512</b>	<b>NSYPMB1512</b>	-	152	687.5 (27.1)

6



(1) Reinforcing fold for steel mounting plate with heights and widths  $\geq 1000$  mm (39.4 in.).  
 (2) A-125 (A-4.9 in.) for catalog numbers **NSYPMM1010** to **NSYPMM1512**, A-120 (A-4.7 in.) for the polyester mounting plate, catalog no. **NSYPMA●●●**.  
 Note: The diagrams above are for the metal mounting plates. The mounting plates made from insulating material only have 4 or 8 main mounting points and the external dimensions of the diagrams.

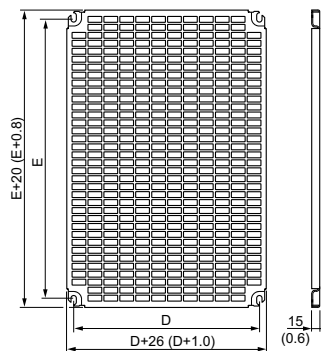
# Accessories

## Installation accessories



### Telequick mounting plate

- The mounting plate allows any switchgear to be mounted on the same plane without drilling or tapping.
- Grille made from galvanized sheet steel, with 11 × 26 mm (0.4 × 1.0 in.) drill holes, with a step of 15 × 30 mm (0.6 × 1.2 in.). For direct installation of devices mounted at 2, 3, or 4 points with screws and clip nuts. Screws must have diameters of 3, 4, 5 or 6 mm (0.12, 0.16, 0.20 of 0.24 in.).
- Direct installation on M8 inserts at the rear of the enclosure or on step slides for depth adjustment (see page 6/54). Enclosures with heights ≥ 1000 mm (39.4 in.) have intermediate impressions for installing mounting plates of lesser heights (M8 inserts, catalog no. **NSYTEX8**, ordered separately).
- Maximum acceptable load: 150 kg/m<sup>2</sup>.



For enclosure: mm (in.)		Catalog number	Dimensions: mm (in.)		Surface (dm <sup>2</sup> )
Height	Width		E	D	
500 (19.7)	500 (19.7)	<b>NSYPMR55</b>	350 (13.8)	350 (13.8)	15.3
500 (19.7)	750 (29.5)	<b>NSYPMR57</b>	350 (13.8)	600 (23.6)	24.6
500 (19.7)	1000 (39.4)	2 × <b>NSYPMR55</b>	350 (13.8)	2 × 350 (2 × 13.8)	30.6 (2 × 15.3)
500 (19.7)	1250 (49.2)	<b>NSYPMR55 + NSYPMR57</b>	350 (13.8)	350 (13.8) 600 (23.6)	39.9 (15.3 + 24.6)
750 (29.5)	500 (19.7)	<b>NSYPMR75</b>	600 (23.6)	350 (13.8)	25.5
750 (29.5)	750 (29.5)	<b>NSYPMR77</b>	600 (23.6)	600 (23.6)	51.1
750 (29.5)	1000 (39.4)	2 × <b>NSYPMR75</b>	600 (23.6)	2 × 350 (2 × 13.8)	51 (2 × 25.5)
750 (29.5)	1250 (49.2)	<b>NSYPMR75 + NSYPMR77</b>	600 (23.6)	350 (13.8) 600 (23.6)	76.6 (25.5 + 51.1)
1000 (39.4)	500 (19.7)	<b>NSYPMR105</b>	850 (33.5)	350 (13.8)	35.7
1000 (39.4)	750 (29.5)	<b>NSYPMR107</b>	850 (33.5)	600 (23.6)	57.5
1000 (39.4)	1000 (39.4)	2 × <b>NSYPMR105</b>	850 (33.5)	2 × 350 (2 × 13.8)	71.4 (2 × 35.7)
1000 (39.4)	1250 (49.2)	<b>NSYPMR105 + NSYPMR107</b>	850 (33.5)	350 (13.8) 600 (23.6)	93.2 (35.7 + 57.5)
1250 (49.2)	500 (19.7)	<b>NSYPMR125</b>	1100 (43.3)	350 (13.8)	45.9
1250 (49.2)	750 (29.5)	<b>NSYPMR127</b>	1100 (43.3)	600 (23.6)	74
1250 (49.2)	1000 (39.4)	2 × <b>NSYPMR125</b>	1100 (43.3)	2 × 350 (2 × 13.8)	91.8 (2 × 45.9)
1250 (49.2)	1250 (49.2)	<b>NSYPMR125 + NSYPMR127</b>	1100 (43.3)	350 (13.8) 600 (23.6)	119.9 (45.9 + 74)
1500 (59.1)	500 (19.7)	<b>NSYPMR155</b>	1350 (53.1)	350 (13.8)	56.1
1500 (59.1)	750 (29.5)	<b>NSYPMR157</b>	1350 (53.1)	600 (23.6)	90.4
1500 (59.1)	1000 (39.4)	2 × <b>NSYPMR155</b>	1350 (53.1)	2 × 350 (2 × 13.8)	112.2 (2 × 56.1)
1500 (59.1)	1250 (49.2)	<b>NSYPMR155 + NSYPMR157</b>	1350 (53.1)	350 (13.8) 600 (23.6)	146.5 (56.1 + 90.4)



See also these accessories

Telequick mounting plate accessories  
Page 8/27

# Accessories

## Installation accessories



### Step slides

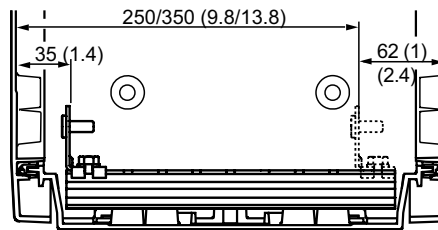
- Set of 4 step slides with brackets allowing continuous depth adjustment of the mounting plate, with a pitch of 25 mm (1.0 in.).
- Designed for direct installation in enclosures with sealed bottoms (versions PLA or PLAT).
- The step slides can be installed in enclosures with open bottoms (versions PLAZ or PLAZT) by adding adapter plates. See the tables below and descriptions on the next page.
- Material: bracket with steel M8 stud on aluminum rail.
- Mounting on the top and bottom of the enclosure with M8 inserts and screws (supplied).
- Incompatible with internal door, cable-entry plate and door retainer, catalog no. NSYRETPLAU.

For enclosure		Catalog number	
Depth: mm (in.)	N° of doors	Step slides	Adapter plates
320 (12.6)	1	NSYDPLA3	NSYPTZ3
420 (16.5)	1	NSYDPLA4	NSYPTZ4
320 (12.6)	2	2 × NSYDPLA3	NSYPTZ32P
420 (16.5)	2	2 × NSYDPLA4	NSYPTZ42P



NSYDPLA

### Installation of step slide catalog no. NSYDPLA●●●



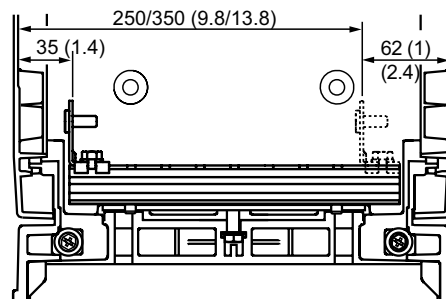
(1) 57 mm (2.2 in.) with one transparent door.

6



NSYDPLA and NSYPTZ

### Installation of step slide catalog no. NSYDPLA●●●, with adapter plate catalog no. NSYPTZ●●●



(1) 57 mm (2.2 in.) with one transparent door.

# Accessories

## Installation accessories



### Adapter plates

- The enclosures with open bottoms (versions PLAZ and PLAZT) require a set of adapter plates for mounting:
  - an internal door
  - step slides
- Material: galvanized steel.
- Mounting on the bottom of the enclosure with M8 inserts and screws (supplied).

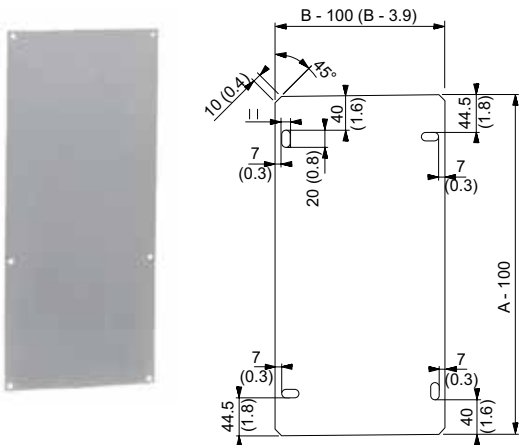
For enclosure		Catalog number
Depth: mm (in.)	N° of doors	
320 (12.6)	1	<b>NSYPTZ3</b>
420 (16.5)	1	<b>NSYPTZ4</b>
320 (12.6)	2	<b>NSYPTZ32P</b>
420 (16.5)	2	<b>NSYPTZ42P</b>



### Additional support

- Set of 4 brackets, to be slid into the step slides, for the installation of an additional mounting plate.

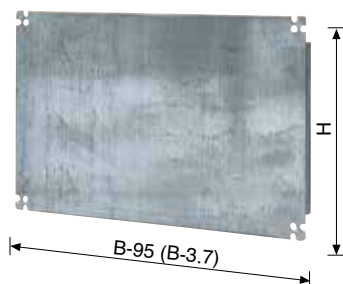
Description	Catalog number
Additional support	<b>NSYEDPLA</b>



### Side mounting plates

- Polyester mounting plates mounted to the sides of the enclosure for additional installations. Installation on the M8 bosses by adding inserts, catalog no. **NSYTEX8**.
- Order in multiples of 2 (2, 4, 6...).

For enclosure: mm (in.)		Catalog number
Height (A)	Depth (B)	
500 (19.7)	320 (12.6)	<b>NSYPMLA53</b>
500 (19.7)	420 (16.5)	<b>NSYPMLA54</b>
750 (29.5)	320 (12.6)	<b>NSYPMLA73</b>
750 (29.5)	420 (16.5)	<b>NSYPMLA74</b>
1000 (39.4)	320 (12.6)	<b>NSYPMLA103</b>
1000 (39.4)	420 (16.5)	<b>NSYPMLA104</b>
1250 (49.2)	320 (12.6)	<b>NSYPMLA123</b>
1250 (49.2)	420 (16.5)	<b>NSYPMLA124</b>



### Partial plain mounting plate

- Galvanized sheet-steel mounting plate.
- Direct mounting on the uprights, with notched sliding nuts or pivoting nuts. See the accessories section.
- Maximum acceptable load: 150 kg/m<sup>2</sup>.

For enclosure Width B: mm (in.)	Mounting plate height H: mm (in.)	Mounting center-to-center distance		Catalog number
		Vertical	Horizontal	
750 (29.5)	247 (9.7)	600 (23.6)	200 (7.9)	<b>NSYSPMP2575</b>
1000 (39.4)	247 (9.7)	850 (33.5)	200 (7.9)	<b>NSYSPMP25100</b>
1000 (39.4)	397 (15.6)	850 (33.5)	350 (13.8)	<b>NSYSPMP40100</b>



# Accessories

## Installation accessories

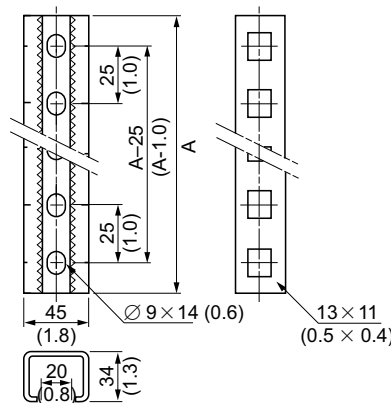


### Technical uprights

- Supports for mounting rails, perforated grilles and plain partial mounting plates.
- For hardware and accessories, see the accessories section.
- Material: steel, 2-mm (0.08 in.) thick.
- Batch of 2 pieces.
- Mounting at the rear on the M8 inserts or on the step slides.

For enclosure Height: mm (in.)	Catalog number	Dimensions: mm (in.)
750 (29.5)	<b>NSYTVR7</b>	625 (24.6)
1000 (39.4)	<b>NSYTVR10</b>	875 (34.4)
1250 (49.2)	<b>NSYTVR125</b>	1125 (44.3)
1500 (59.1)	<b>NSYTVR15</b>	1375 (54.1)

**Note:** Enclosures with widths of 1000 mm (39.4 in.) and 1250 mm (49.2 in.) allow the installation of 4 uprights to integrate 2 mounting plates of 500 mm (19.7 in.) or of 500 and 750 mm (19.7 and 29.5 in.).



6



### Rails

- Symmetric or asymmetric DIN rails for mounting on the technical uprights, catalog no. **NSYTVR●●●**.
- For hardware and accessories, see the accessories section.
- Order in multiples of 5 (5, 10, 15...).

For installation in enclosures with width B: mm (in.)	DIN rail catalog number	
	Symmetrical 35 × 15	Asymmetrical
500 (19.7)	<b>NSYCSPLA50</b>	<b>NSYCAPLA50</b>
750 (29.5)	<b>NSYCSPLA75</b>	<b>NSYCAPLA75</b>
1000 (39.4) (1)	<b>NSYCSPLA100</b>	<b>NSYCAPLA100</b>

(1) Enclosures with a width of 1000 mm (39.4 in.) can accommodate 2 mounting plates with rail types **NSYCSPLA50** or **NSYCAPLA50**.

### M8 inserts

- To be placed in the bosses molded on the doors, uprights, rear panels and enclosure tops and bottoms, for mounting hardware and assorted devices.
- Order in multiples of 8 (8, 16, 24...).

Description	Catalog number
M8 inserts	<b>NSYTEX8</b>



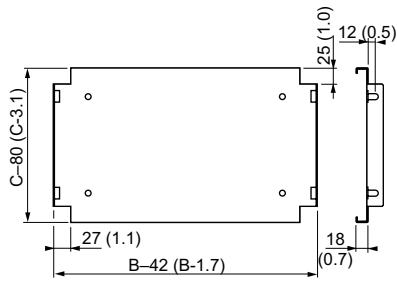
See also  
these accessories

Other uprights  
Page 8/23

Rails and mountings  
Page 8/50

# Accessories

## Equipment support accessories



### Support plate

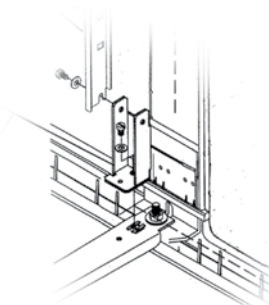
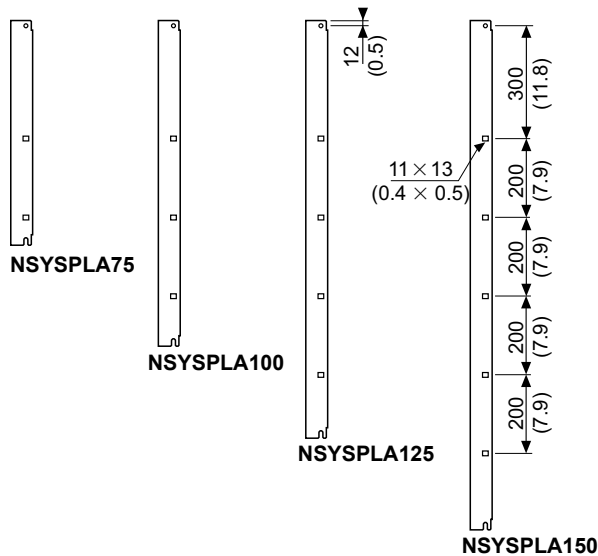
- Designed to support assorted equipment or to install a separation.
- The support plate is installed directly on the bottom part of the enclosure.
- For the installation of one or several support plates, use 2 sets of 2 uprights suitable for the height (ordered separately). These uprights offer the option of adjusting the height with a step of 200 mm (7.9 in.) (see drawing below).
- Galvanized-steel material.
- Delivered with the mounting hardware.
- In the 2-door enclosures, the installation of the plate or the uprights requires prior installation of an intermediate support, catalog no. **NSYSBPLA**, described below.

For enclosure: mm (in.)		Max. load: kg (lbs)	Plate Catalog number
Depth (C)	Width (B)		
320 (12.6)	500 (19.7)	60 (132.3)	<b>NSYBANPLA53</b>
320 (12.6)	750 (29.5)	60 (132.3)	<b>NSYBANPLA73</b>
420 (16.5)	500 (19.7)	50 (110.2)	<b>NSYBANPLA54</b>
420 (16.5)	750 (29.5)	50 (110.2)	<b>NSYBANPLA74</b>



**NSYSPLA100**

For enclosure Height: mm (in.)	N° of adjustments	Upright Catalog number
500 (19.7)	-	-
750 (29.5)	2	2 × <b>NSYSPLA75</b>
1000 (39.4)	3	2 × <b>NSYSPLA100</b>
1250 (49.2)	4	2 × <b>NSYSPLA125</b>
1500 (59.1)	5	2 × <b>NSYSPLA150</b>



### Intermediate support in the 2-door enclosures

- Required accessory for installing support plates, catalog no. **NSYBANPLA...**, or uprights, catalog no. **NSYSPLA...**, in the 2-door enclosures.

Description	Catalog number
Intermediate support	<b>NSYSBPLA</b>





<b>Overview</b> .....	7/2
<b>ClimaSys™ CV Ventilation systems</b> .....	7/8
Selection guide .....	7/12
Forced ventilation 38 m³/h .....	7/14
Forced ventilation 85 m³/h .....	7/15
Forced ventilation 165 m³/h .....	7/16
Forced ventilation 300 m³/h .....	7/17
Forced ventilation 560-850 m³/h .....	7/18
Accessories .....	7/20
<b>ClimaSys CU Cooling unit</b> .....	7/30
Characteristics .....	7/32
Accessories .....	7/33
Mounting templates .....	7/37
<b>ClimaSys CR Insulated resistance heaters</b> .....	7/38
Applications .....	7/40
Selection guide .....	7/43
Insulated resistance heaters 10 W - 20 W .....	7/43
Insulated resistance heaters 50 W - 100 W - 147 W .....	7/44
Insulated ventilated resistance heaters 177 W .....	7/45
Aluminum resistance heaters .....	7/48
<b>ClimaSys CC Thermal control</b> .....	7/46
Selection guide mechanical version .....	7/48
<b>Thermal balance and thermal management systems</b> .....	7/57
<b>ProClima Software</b> .....	7/62
<b>ClimaSys Calculation and selection tables</b> .....	7/64

# Thermal management system

## Thermal conditioning of electric and electronic switchboards



### What is thermal control?

#### Technological evolution

The miniaturization of components, the generalization of electronics and the appearance of new electronically-powered products have made temperature management a growing concern when designing electrical and/or electronic switchboards.

#### What are the advantages of efficient thermal management?

Thermal management of electrical switchboards is a major factor for industrial maintenance.

Many risks are incurred by not having a suitable thermal solution, which can affect the service life of the components and the performance of the facility to the extent of causing a halt in production.

The service life of the components also depends on the temperature and humidity conditions inside the enclosure. The ideal values range from +25 to +35 °C for the temperature and 40 to 60% for the relative humidity (RH).

#### Cooling, heating, controlling

Just as equipment installed in enclosures requires protection against solid bodies, liquids, and impacts, it also requires suitable thermal protection.

There are various solutions for thermal protection. They are chosen according to environmental conditions and the type of components in the electrical switchboard. In certain cases, it is sufficient to oversize the enclosure or to use fans or air-air exchangers. In other cases, where the ambient temperature is higher, it is necessary to install air-water exchangers or cooling units.

#### A solution for each need

We provide a complete Thermal offer to secure your installations.

- |                |   |
|----------------|---|
| <b>Cooling</b> | <ol style="list-style-type: none"> <li>1. Forced ventilation systems</li> <li>2. Air-air exchangers</li> <li>3. Air-water exchangers</li> <li>4. Cooling units</li> </ol> |
|----------------|---|

- |                |   |
|----------------|---|
| <b>Heating</b> | <ol style="list-style-type: none"> <li>5. Resistance heaters</li> </ol> |
|----------------|---|

- |                    |  |
|--------------------|--|
| <b>Controlling</b> | <ol style="list-style-type: none"> <li>6. Thermal control accessories</li> </ol> |
|--------------------|--|

- |                    |  |
|--------------------|--|
| <b>Calculating</b> | <ol style="list-style-type: none"> <li>7. New ProClima 5.0 software</li> </ol> |
|--------------------|--|

# Risks

## Risks associated with the lack of thermal control



### Random breakdowns and production halts result in heavy losses

Thermal control of enclosures extends the service life of the components and reduces their breakdown rate.

#### Reduction of the service life of the components

The service life of components is reduced if the temperature and humidity in enclosures are not controlled. Repeated sudden variations in temperature and humidity accelerate the aging process.

Example

##### Batteries – Accumulators

Manufacturers recommend installing batteries in environments where the controlled temperature is 15 °C...25 °C.

Cold slows down the battery charging and discharging cycles. Heat increases the evaporation of water in the electrolyte and speeds up the oxidation of the plates. Using batteries at temperatures above the recommended value therefore reduces their service life.



#### Sudden production halt

The formation of hot spots increases the breakdown rate and endangers the production process.

Example

##### Electronic equipment

Most electronic industrial control systems are equipped with axial fans for their own thermal control. A failure of the fan can lead to a production halt.

Reduced service life of the fan is one consequence of the enclosure heating up. 24 V DC axial fan.

Temperature range: -20...+70 °C.

Service life at 20 °C (L10 at 20 °C): 50000 h.

Service life at 60 °C (L10 at 20 °C): 20000 h.



The service life of the equipment can drop from 50000 h to only 20000 h.

#### The internal temperature increases with a high degree of IP

In aggressive atmospheres exposed to dust, humidity, chemical agents, or high temperatures, the equipment is installed in industrial enclosures (IP54) to protect it from the external environment. A high degree of IP protection can cause a reheating phenomenon which, if left unchecked, can stop the operation of the components.

Example

##### Variable speed drives

A variable speed drive controlling a 45 kW (60 hp) motor is programmed to work at temperatures ranging up to 50 °C or 60 °C.

The power dissipated by this variable speed drive inside the enclosure can reach 1360 W.

This contribution of heat inside the enclosure will cause the top temperature to rise to 60 °C and may cause a halt in production.



#### Our solution

Our new thermal offer includes a large range of solutions, suitable for most situations, from installing a ventilation system to exchangers or even a cooling unit. Do not hesitate to contact us to discover the best thermal solution for your installation.



# Choose the solution







## How to select the best temperature control auxiliary



System	Ventilation	Ventilating	
	Natural convection causes the temperature to drop inside the enclosure. Simple solutions for this case include installing grilles (without filter) or lifting the top.	Fans with filters are designed to evacuate a large amount of heat economically.	
When should it be used?	This solution can only be used when the power to be dissipated is low, in an environment with small amounts of dust.	When larger amounts of heat need to be evacuated in a polluted environment.	
Ta: Ambient temperature Td: Desired temperature	 Ta < Td	 Ta < Td	
The internal and external air circuits must be independent.	 NO	 NO	
Advantages	<ul style="list-style-type: none"> <li>• Economic solution.</li> <li>• No maintenance.</li> <li>• Quick and easy installation.</li> </ul>	<ul style="list-style-type: none"> <li>• Economic solution.</li> <li>• Easy maintenance.</li> <li>• Quick and easy installation.</li> <li>• Even temperature inside the enclosure.</li> <li>• High protection rating: IP54 or IP55.</li> </ul>	
Disadvantages	<ul style="list-style-type: none"> <li>• Small amount of heat evacuated.</li> <li>• Reduction of the IP protection rating.</li> <li>• Entry of dust particles.</li> </ul>	<ul style="list-style-type: none"> <li>• The temperature inside the enclosure is always higher than the external temperature.</li> <li>• The internal and external air circuits are in contact.</li> <li>• Maintenance required: filter replacement.</li> </ul>	
Solutions	 Ventilation devices	 Fans and outlet grilles	

7



	Cooling	Heating
	<p>Air-conditioning devices provide efficient cooling of the enclosure, regardless of the outside air, and prevention of hot spots.</p>	<p>Resistance heaters prevent the formation of condensation and help ensure the ideal temperature for the correct operation of the electronic components.</p>
	<p>The cooling units can be used in the harshest environments, where the temperature can reach up to 55 °C. These devices control the temperature inside the enclosure and include an alarm function for signalling operational anomalies.</p>	<p>The resistance heaters are used to reheat the electrical switchboard when the ambient temperature is too low or to prevent the formation of condensation.</p>
	 <p><math>T_a &gt; T_d</math></p>	 <p><math>T_a &lt; T_d</math></p>
	 <p>YES</p>	
	<ul style="list-style-type: none"> <li>• Even temperature inside the enclosure.</li> <li>• High protection rating: IP54.</li> <li>• Use of an environmentally friendly gas.</li> </ul>	<ul style="list-style-type: none"> <li>• Small dimensions.</li> <li>• Equipped with a PTC-type heating system, which stabilizes the surface temperature of the aluminum profile.</li> <li>• Available in two versions: insulated with low surface temperature or in aluminum when the surface temperature is limited to 75 °C.</li> <li>• The fan-equipped resistance heaters help ensure an even temperature inside the enclosure.</li> </ul>
	<ul style="list-style-type: none"> <li>• Installation of a drain is recommended.</li> <li>• Maintenance required: filter replacement.</li> </ul>	
	 <p>Cooling units</p>	 <p>Resistance heaters</p>



# Choose the solution

## A thermal solution for every environment



### Ventilation systems with filters

Specially recommended for installations in which:

- The ambient temperature is lower than the desired temperature inside the enclosure.
- A high protection rating is required: IP54 or IP55.
- The surrounding environment is relatively clean, allowing air to enter the enclosure.

### Large range of solutions

- 42 possible combinations.
- Colors: RAL 7035 gray as standard, with the option of changing to RAL 7032 gray (with replacement grille **NSYCAG●●●LPC**).
- 38 to 850 m<sup>3</sup>/h.
- According to 5 input voltages:  
AC: 400/440 V, 230 V, 115 V (50/60 Hz),  
DC: 48 V and 24 V.
- Broad range of accessories (filters, IP55 & EMC covers, anti-vandalism kit).



### Cooling units

Cooling units control the temperature inside the enclosure to help ensure the correct operation of the components, regardless of the outside temperature, by separating the internal and external air circuits and reducing the humidity of the enclosure.

### Large range of solutions

- 32 models.
- Two versions: top-mounting model and side-mounting model.
- Cooling power from 240 to 4000 W.
- Two control versions: electronic and mechanical.
- According to the input voltage: 230 V (50/60 Hz);  
3 × 400/440 V (50/60 Hz); 115 V (50/60 Hz).
- Three installation types: surface, flush and partial flush (SLIM version).
- RAL 7035 gray and stainless steel.

# Choose the solution

## A thermal solution for every environment



### Resistance heaters

Two functions:

- To prevent the formation of condensation inside the enclosure.
- To reheat the electrical switchboard when the temperature is too low for the components to operate correctly.

### Large range of solutions

- 30 models.
- Insulated or aluminum versions.
- Versions with natural convection or fan.
- Cooling power from 10 to 550 W.
- According to the input voltage: 12 V to 450 V AC/DC.



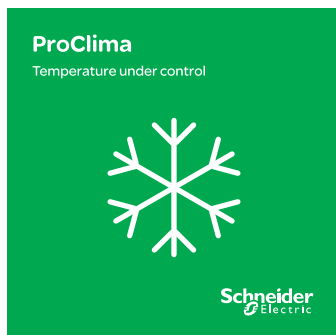
### Thermal control

Thermostats control the temperature inside the enclosure and send a signal when certain defined values are exceeded:

- Maximum value (cooling action).
- Minimum value (reheating action).

### Large range of solutions

- 15 models.
- Temperature control: adjustable thermostats; single or double.
- Relative humidity control: adjustable humidistat.
- Temperature and relative humidity control: adjustable hygrotherm.



### Calculation assistance: ProClima

We offer our customers a software application to help select thermal accessories. The software calculates a heat balance and defines the best ventilation or cooling solution for the inside of the enclosure.

# Ventilation systems

## Introduction



### Large range of fans

Flow rate efficiency, high protection rating, quick installation and easier maintenance to protect most applications.



### Optimized flow rate: average increase of 50%

#### Maximum use of surface

The outlet grille maximizes the air circulation.



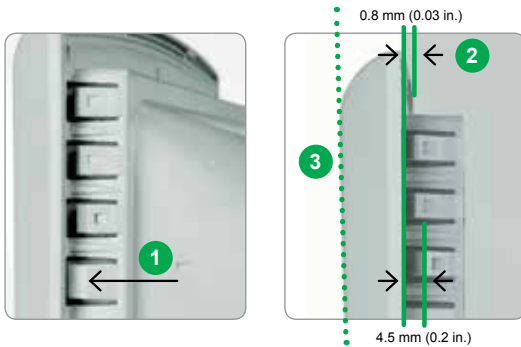
#### Minimum loss of pressure

The corners of the walls, the variable tilt of the slats, the mounting distance of the motor and the dimensions of the device help ensure good air flow and a minimum loss of pressure.



# Ventilation systems

## Introduction



### High protection rating: IP54 as standard

#### 1 Mounting guide

An exclusive new mechanism is used to center the body of the fan on the wall of the enclosure. This system corrects machining faults. In addition, it facilitates the correct operation of the mounting clips.

#### 2 Multi-thickness mounting clips

This exclusive device helps ensure easy and reliable mounting of the ventilation system on walls with a thickness of 0.8 to 4.5 mm (0.03 to 0.2 in.), with no hardware.

It helps ensure good compression of the seal around the outline of the cut-out. The seal between the grille and the wall is ensured for all the materials: steel, stainless steel, polyester, aluminum, etc.

#### 3 Inclined profile of the grille

- This innovative profile helps protect the filter against vertical spraying:
  - Each slat is protected by the slat above it.
  - The external dimensions remain small.



### Effective design for water evacuation

Water absorbed by the filter is effectively evacuated. Especially useful during high-pressure spraying.



### Hot-fitted sealing gasket

The polyurethane gasket, hot cast, helps ensure a long-lasting seal.



### Effective system for retaining the filter

The system for holding the synthetic filter in the cavity of the filter holder helps ensure a protection rating of IP54, in the most difficult conditions.

# Ventilation systems

## Introduction



### Innovative design

Innovative design with flowing lines.



### Easy installation

- Quick and easy mounting with the mounting device and the use of multi-thickness mounting clips.
- Mounting also possible with screws.
- Easy to invert.
- To operate as extractors, all the motors can be inverted by simply removing four screws.



### Easy maintenance

Quick and easy replacement of the filter installed in the fan, even during operation.



### Quality of the components

Motors are selected for improved flow rate and longer service life. Large range of input voltages available on all the motors delivered as standard, with alternating 50/60 Hz or direct current.



### Certification

UL approval available.

# Ventilation systems

## Introduction



### ASA/PC plastic materials

ASA/PC material chosen to manufacture the ventilation system:

- Improved resistance to UV for longer service life.
- Excellent mechanical operation.
- Standard grille colors: RAL 7035 gray and RAL 7032 gray (replacement accessory).
- Other colors are available on request (contact us).
- ASA/PC plastic material, self-extinguishing according to standard UL94 V0.



### Large variety of filters

- Filters for oily environments (OEM).
  - Anti-insect filters.
  - Fine filters (improved protection against dust).
- See page [7/20](#).



### Sealing cover IP55

- Available in two versions:
    - Aluzinc: RAL 7035 gray paint.
    - Stainless steel.
- See page [7/21](#).



### EMC cover

Thanks to this accessory, the various ventilation systems offer greater resistance to magnetic fields (EMC), helping to prevent interference with the equipment installed inside the enclosure.

See page [7/22](#).



### Anti-vandalism kit

Accessory for outdoor applications, in contact with the public. The kit prevents unwanted opening of the grille.

See page [7/20](#).



**ENVIRONMENTALLY  
FRIENDLY**

### Environmentally friendly

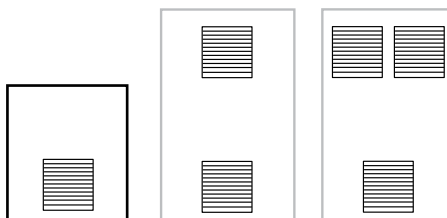
- Recyclable plastic materials and filters.
- Motors in compliance with the RoHS directive.
- Lower power consumption for improved air flow.



# Ventilation system

## Selection guide

### Ventilation systems with filters



	Fan flow rate: m <sup>3</sup> /h (ft <sup>3</sup> /h)			Voltage	Type of connection C = by cable F = by faston (1) B = by terminal block
	Free with filter	With 1 outlet grille	With 2 outlet grilles		
	50 Hz	50 Hz	50 Hz		
	38 (124.7)	25 (82.0)	33 (108.3)	230 V	C
	38 (124.7)	27 (88.6)	35 (114.8)	115 V	C
	58 (190.3)	39 (128.0)	47 (154.2)	24 V DC	C
	44 (144.4)	34 (111.5)	41 (134.5)	48 V DC	C
	85 (278.9)	63 (206.7)	71 (232.9)	230 V	F
	79 (259.2)	65 (213.3)	73 (239.5)	115 V	F
	80 (262.5)	57 (187.0)	77 (252.6)	24 V DC	F
	79 (259.2)	59 (193.6)	68 (223.1)	48 V DC	F
	165 (541.3)	153 (502.0)	161 (528.2)	230 V	F
	164 (538.1)	153 (502.0)	161 (528.2)	115 V	F
	188 (616.8)	171 (561.0)	179 (587.3)	24 V DC	F
	193 (633.2)	171 (561.0)	179 (587.3)	48 V DC	F
	302 (990.8)	260 (853.0)	268 (879.3)	230 V	F
	302 (990.8)	263 (862.9)	271 (889.1)	115 V	F
	262 (859.6)	221 (725.1)	229 (751.3)	24 V DC	F
	247 (810.4)	210 (689.0)	218 (715.2)	48 V DC	F
	562 (1843.8)	473 (1551.8)	481 (1578.1)	230 V	B
	582 (1909.4)	485 (1591.2)	494 (1620.7)	115 V	B
	838 (2749.3)	718 (2355.6)	728 (2388.5)	230 V	B
	983 (3225.1)	843 (2765.7)	854 (2801.8)	115 V	B
	931 (3054.5)	798 (2618.1)	809 (2654.2)	400/440 V	B

(1) Fan models with connection type (F) are delivered with a 2 m (6.6 ft) connection cord included.

7

# Ventilation system

## Selection guide

Dimensions: mm (in.)		Catalog number							
		Total (external)	Cut-out	Fan with filter	Outlet grille	Color kit	IP55	IP55 stainless steel	EMC
				RAL 7035 gray		RAL 7032 gray			
137 × 117 (5.4 × 4.6)	92 × 92 (3.6 × 3.6)	NSYCVF38M230PF	NSYCAG92LPF	NSYCAG92LPC					
		NSYCVF38M115PF							
		NSYCVF38M24DPF							
		NSYCVF38M48DPF							
170 × 150 (6.7 × 5.9)	125 × 125 (4.9 × 4.9)	NSYCVF85M230PF	NSYCAG125LPF	NSYCAG125LPC	NSYCAP125LZF	NSYCAP125LXF	NSYCAP125LE		
		NSYCVF85M115PF							
		NSYCVF85M24DPF							
		NSYCVF85M48DPF							
268 × 248 (10.6 × 9.8)	223 × 223 (8.8 × 8.8)	NSYCVF165M230PF	NSYCAG223LPF	NSYCAG223LPC	NSYCAP223LZF	NSYCAP223LXF	NSYCAP223LE		
		NSYCVF165M115PF							
		NSYCVF165M24DPF							
		NSYCVF165M48DPF							
		NSYCVF300M230PF							
		NSYCVF300M115PF							
		NSYCVF300M24DPF							
		NSYCVF300M48DPF							
336 × 316 (13.2 × 12.4)	291 × 291 (11.5 × 11.5)	NSYCVF560M230PF	NSYCAG291LPF	NSYCAG291LPC	NSYCAP291LZF	NSYCAP291LXF	NSYCAP291LE		
		NSYCVF560M115PF							
		NSYCVF850M230PF							
		NSYCVF850M115PF							
		NSYCVF850M400PF							





# Ventilation systems

## Forced ventilation 38 m<sup>3</sup>/h



### General characteristics

- The fans are comprised of an axial motor, a protective housing on the front and rear surfaces and a filter designed to block dust particles.
- This filter can be replaced during operation without risk of contact with the rotating element.
- The cut-out template supplied with the device avoids the need for marking and protects the surface of the enclosure during handling.
- RAL 7035 gray in the standard offer with an optional replacement grille in RAL 7032 gray.

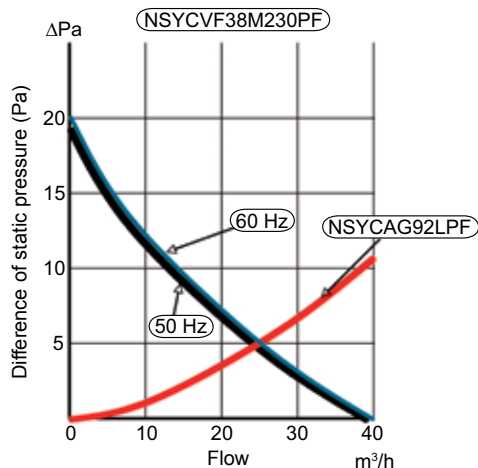
### Conditions of use

- The outside temperature (Te) must be 5 °C lower than the desired temperature (Ts) inside the enclosure.
- The filters that equip the fans must be cleaned and replaced regularly.
- The surrounding environment must be relatively clean and overfrequent filter replacement should be avoided.
- Bear in mind the pressure losses caused by the outlet element (grille with filter, ventilation louver or simple opening) when determining the fan flow rate.

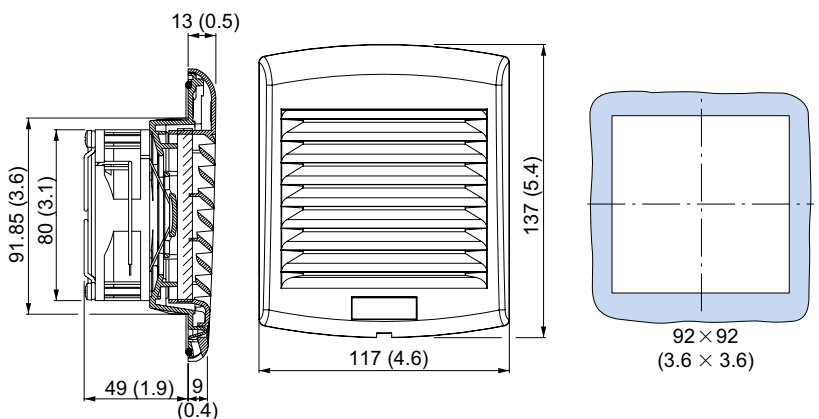
Specifications	Catalog number			
	Color: RAL 7035 gray	NSYCVF38M230PF	NSYCVF38M115PF	NSYCVF38M24DPF
Free flow rate with standard filter: m <sup>3</sup> /h (ft <sup>3</sup> /h)	38 (124.7) [50 Hz] 39 (128.0) [60 Hz]	38 (124.7) [50 Hz] 39 (128.0) [60 Hz]	58 (190.3)	44 (144.4)
Flow rate with 1 outlet grille: m <sup>3</sup> /h (ft <sup>3</sup> /h)	25 (82.0) [50 Hz] 26 (85.3) [60 Hz]	27 (88.6) [50 Hz] 28 (91.9) [60 Hz]	39 (128.0)	34 (111.5)
Nominal voltage	230 V (50/60 Hz)	115 V (50/60 Hz)	24 V DC	48 V DC
Voltage range	150–250 V	75–125 V	10–27.6 V	36–56 V
Absorbed power (50/60 Hz)	4.5/4.8 W	3.3/3.5 W	3.6 W	3.6 W
Max. intensity (50/60 Hz)	0.16/0.17 A	0.16/0.16 A	0.18 A	70 mA
Noise level	40/41 dB (A)			
Bearing	Balls			
IP	54			
External dimensions: mm (in.)	137 × 117 × 49 (5.4 × 4.6 × 1.9)			
Cut-out: mm (in.)	92 × 92 (3.6 × 3.6)			
Weight: kg (lbs)	0.220 (0.5)		0.230 (0.5)	
Material	Injected thermoplastic (ASA PC). Self-extinguishing according to UL94 V0.			
Operating temperature	-10...+70 °C			
Storage temperature	-40...+70 °C			
Max. static pressure (flow rate 0 m <sup>3</sup> /h)	29 Pa			

7

### Flow curves



### Dimensions: mm (in.)



# Ventilation systems

## Forced ventilation 85 m<sup>3</sup>/h



### General characteristics

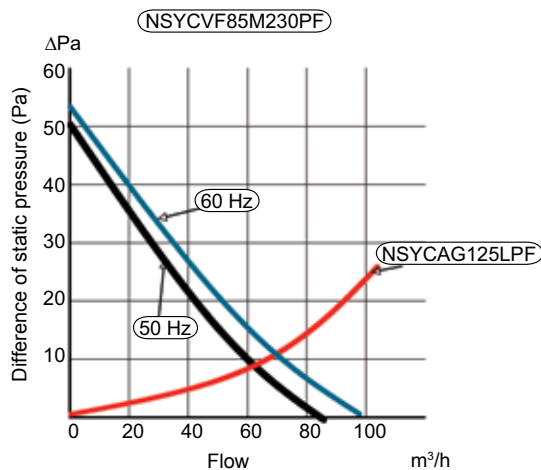
- The fans are comprised of an axial motor, a protective housing on the front and rear surfaces and a filter designed to block dust particles.
- This filter can be replaced during operation without risk of contact with the rotating element.
- Optionally, the device can be equipped with a filter that provides even more efficient protection for your sensitive facilities against dust particles.
- The cut-out template supplied with the device avoids the need for marking and protects the surface of the enclosure during handling.
- RAL 7035 gray in the standard offer with an optional replacement grille in RAL 7032 gray.

### Conditions of use

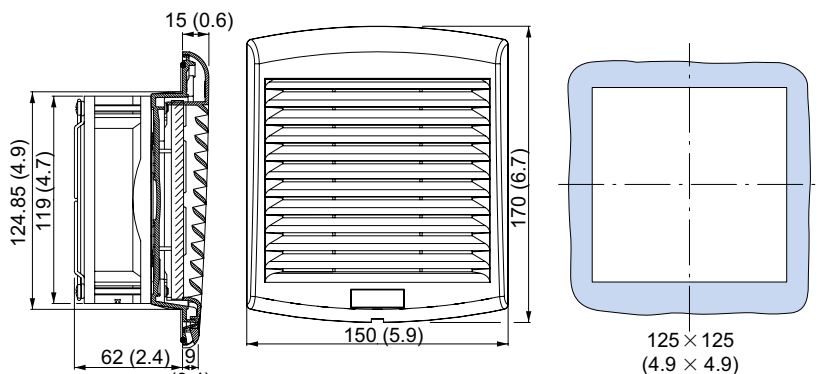
- The outside temperature (Te) must be 5 °C lower than the desired temperature (Ts) inside the enclosure.
- The filters that equip the fans must be cleaned and replaced regularly.
- The surrounding environment must be relatively clean and overfrequent filter replacement should be avoided.
- Bear in mind the pressure losses caused by the outlet element (grille with filter, ventilation louver or simple opening) when determining the fan flow rate.

Specifications	Catalog number				
	Color: RAL 7035 gray	NSYCVF85M230PF	NSYCVF85M115PF	NSYCVF85M24DPF	NSYCVF85M48DPF
Free flow rate with standard filter: m <sup>3</sup> /h (ft <sup>3</sup> /h)	85 (278.9) [50 Hz] 98 (321.5) [60 Hz]	79 (259.2) [50 Hz] 92 (301.8) [60 Hz]	80 (262.5)		
Flow rate with 1 outlet grille: m <sup>3</sup> /h (ft <sup>3</sup> /h)	63 (206.7) [50 Hz] 72 (236.2) [60 Hz]	65 (213.3) [50 Hz] 74 (242.8) [60 Hz]	60 (196.9)		
Nominal voltage	230 V (50/60 Hz)	115 V (50/60 Hz)	24 V DC	48 V DC	
Voltage range	175–253 V	75–126 V	10–27.6 V	25–55.2 V	
Absorbed power	17/15 W	16/15 W	7.6 W	8 W	
Max. intensity (50/60 Hz)	0.121/0.097 A	0.207/0.179 A	0.30 A	0.173 A	
Noise level	46/49 dB (A)				
Bearing	Balls				
IP	54				
External dimensions: mm (in.)	170 × 150 × 62 (6.7 × 5.9 × 2.4)				
Cut-out: mm (in.)	125 × 125 (4.9 × 4.9)				
Weight: kg (lbs)	0.78 (1.7)		0.48 (1.1)		
Material	Injected thermoplastic (ASA PC). Self-extinguishing according to UL94 V0.				
Operating temperature	-20...+60 °C		-10...+70 °C		
Storage temperature	-40...+70 °C				
Max. static pressure (flow rate m <sup>3</sup> /h)	50 Pa				

### Flow curves



### Dimensions: mm (in.)



# Ventilation systems

## Forced ventilation 165 m<sup>3</sup>/h



### General characteristics

- The fans are comprised of an axial motor, a protective housing on the front and rear surfaces and a filter designed to block dust particles.
- This filter can be replaced during operation without risk of contact with the rotating element.
- Optionally, the device can be equipped with a filter that provides even more efficient protection for your sensitive facilities against dust particles.
- The cut-out template supplied with the device avoids the need for marking and protects the surface of the enclosure during the handling.
- RAL 7035 gray in the standard offer with an optional replacement grille in RAL 7032 gray.

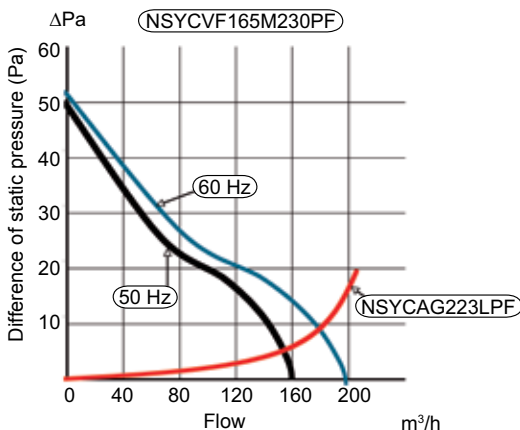
### Conditions of use

- The outside temperature (T<sub>e</sub>) must be 5 °C lower than the desired temperature (T<sub>s</sub>) inside the enclosure.
- The filters that equip the fans must be cleaned and replaced regularly.
- The surrounding environment must be relatively clean and overfrequent filter replacement should be avoided.
- Bear in mind the pressure losses caused by the outlet element (grille with filter, ventilation louver or simple opening) when determining the fan flow rate.

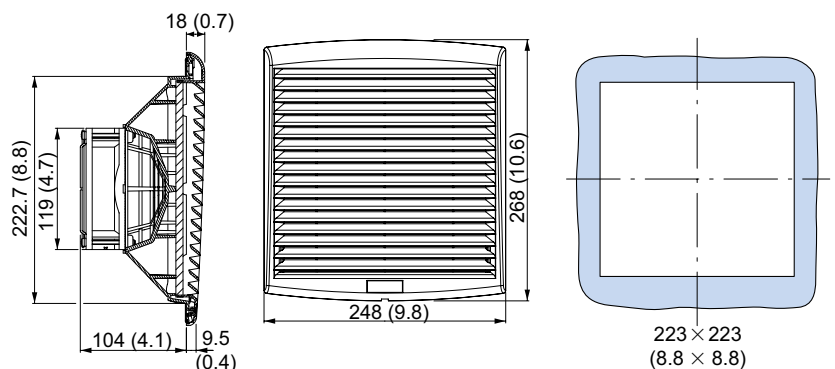
Specifications	Catalog number				
	Color: RAL 7035 gray	NSYCVF165M230PF	NSYCVF165M115PF	NSYCVF165M24DPF	NSYCVF165M48DPF
Free flow rate with filter: m <sup>3</sup> /h (ft <sup>3</sup> /h)	165 (541.3) [50 Hz]	193 (633.2) [60 Hz]		190 (623.4)	
Flow rate with 1 outlet grille: m <sup>3</sup> /h (ft <sup>3</sup> /h)	153 (502.0) [50 Hz]	171 (561.0) [60 Hz]		171 (561.0)	
Flow rate with 2 outlet grilles: m <sup>3</sup> /h (ft <sup>3</sup> /h)	161 (528.2) [50 Hz]	175 (574.1) [60 Hz]		179 (587.3)	
Nominal voltage	230 V (50/60 Hz)	115 V (50/60 Hz)		24 V DC	48 V DC
Voltage range	175–253 V	75–126 V		10–27.6 V	25–55.2 V
Absorbed power	16.3/14.3 W	15.5/14.4 W		8 W	8.7 W
Max. intensity (50/60 Hz)	0.12/0.94 A	0.20/0.18 A		0.3 A	0.18 A
Noise level	50/51 dB (A)				
Bearing	Balls				
IP	54				
External dimensions: mm (in.)	268 × 248 × 104 (10.6 × 9.8 × 4.1)				
Cut-out: mm (in.)	223 × 223 (8.8 × 8.8)				
Weight: kg (lbs)	1.14 (2.5)		0.81 (1.8)		
Material	Injected thermoplastic (ASA PC). Self-extinguishing according to UL94 V0.				
Operating temperature	-20...+60 °C		-10...+70 °C		
Storage temperature	-40...+70 °C				
Max. static pressure	50 Pa				

7

### Flow curves



### Dimensions: mm (in.)



# Ventilation systems

## Forced ventilation 300 m<sup>3</sup>/h



### General characteristics

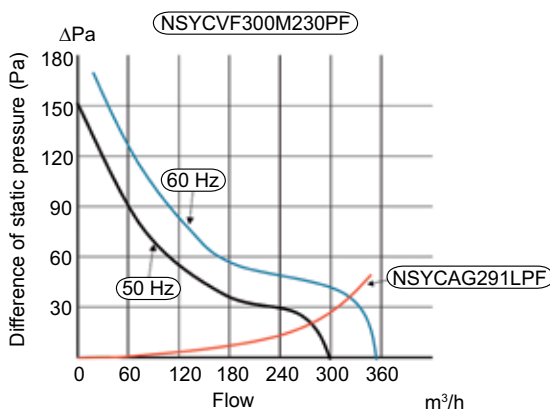
- The fans are comprised of an axial motor, a protective housing on the front and rear surfaces and a filter designed to block dust particles.
- This filter can be replaced during operation without risk of contact with the rotating element.
- Optionally, the device can be equipped with a filter that provides even more efficient protection for your sensitive facilities against dust particles.
- The cut-out template supplied with the device avoids the need for marking and protects the surface of the enclosure during handling.
- RAL 7035 gray in the standard offer with an optional replacement grille in RAL 7032 gray.

### Conditions of use

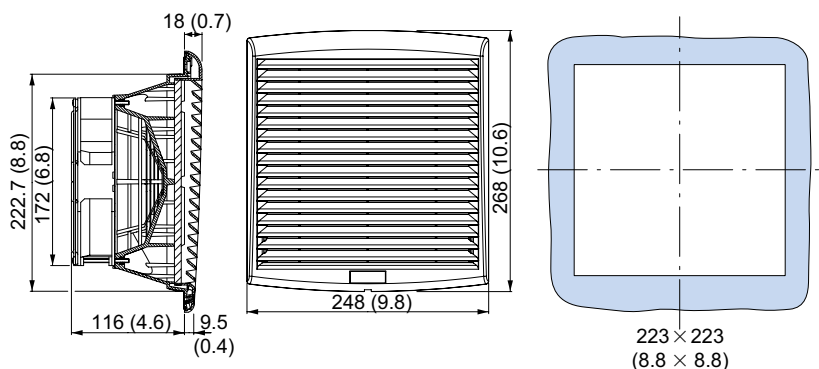
- The outside temperature (Te) must be 5 °C lower than the desired temperature (Ts) inside the enclosure.
- The filters that equip the fans must be cleaned and replaced regularly.
- The surrounding environment must be relatively clean and overfrequent filter replacement should be avoided.
- Bear in mind the pressure losses caused by the outlet element (grille with filter, ventilation louver or simple opening) when determining the fan flow rate.

Specifications	Catalog number			
	Color: RAL 7035 gray	NSYCVF300M230PF	NSYCVF300M115PF	NSYCVF300M24DPF
Free flow rate with filter: m <sup>3</sup> /h (ft <sup>3</sup> /h)	300 (984.3) [50 Hz] 350 (1148.3) [60 Hz]		262 (859.6)	
Flow rate with 1 outlet grille: m <sup>3</sup> /h (ft <sup>3</sup> /h)	260 (853.0) [50 Hz] 307 (1007.2) [60 Hz]		221 (725.1)	
Nominal voltage	230 V (50/60 Hz)	115 V (50/60 Hz)	24 V DC	48 V DC
Voltage range	145–253 V	75–126 V	12–30 V	25–60 V
Absorbed power	36/37 W	36/36 W	13 W	11 W
Max. intensity (50/60 Hz)	0.17/0.16 A	0.35/0.32 A	0.53 A	0.24 A
Noise level	55/56 dB (A)			
Bearing	Balls			
IP	54			
External dimensions: mm (in.)	268 × 248 × 116 (10.6 × 9.8 × 4.6)		268 × 248 × 103.4 (10.6 × 9.8 × 4.1)	
Cut-out: mm (in.)	223 × 223 (8.8 × 8.8)			
Weight: kg (lbs)	1.3 (2.9)		1.1 (2.4)	
Material	Injected thermoplastic (ASA PC). Self-extinguishing according to UL94 V0.			
Operating temperature	-10...+70 °C		-10...+70 °C	
Storage temperature	-40...+70 °C			
Max. static pressure	158 Pa			

### Flow curves



### Dimensions: mm (in.)



# Ventilation systems

## Forced ventilation 560-850 m<sup>3</sup>/h



### General characteristics

- The fans are comprised of an axial motor, a protective housing on the front and rear surfaces and a filter designed to block dust particles.
- This filter can be replaced during operation without risk of contact with the rotating element.
- Optionally, the device can be equipped with a filter that provides even more efficient protection for your sensitive facilities against dust particles.
- The cut-out template supplied with the device avoids the need for marking and protects the surface of the enclosure during handling.
- RAL 7035 gray in the standard offer with an optional replacement grille in RAL 7032 gray.

### Conditions of use

- The outside temperature (Te) must be 5 °C lower than the desired temperature (Ts) inside the enclosure.
- The filters that equip the fans must be cleaned and replaced regularly.
- The surrounding environment must be relatively clean and overfrequent filter replacement should be avoided.
- Bear in mind the pressure losses caused by the outlet element (grille with filter, ventilation louver or simple opening) when determining the fan flow rate.

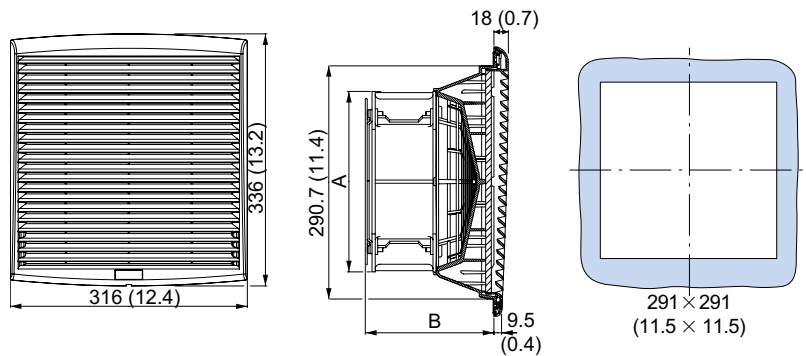
Specifications	Catalog number					
	Color: RAL 7035 gray	NSYCVF560M230PF	NSYCVF560M115PF	NSYCVF850M230PF	NSYCVF850M115PF	NSYCVF850M400PF
Free flow rate with filter: m <sup>3</sup> /h (ft <sup>3</sup> /h)		562 (1843.8) [50 Hz] 586 (1922.6) [60 Hz]		838 (2749.3) [50 Hz] 803 (2634.5) [60 Hz]	983 (3225.1) [50 Hz] 944 (3097.1) [60 Hz]	931 (3054.5) [50 Hz] 803 (2634.5) [60 Hz]
Flow rate with 1 outlet grille: m <sup>3</sup> /h (ft <sup>3</sup> /h)		473 (1551.8) [50 Hz] 477 (1565.0) [60 Hz]		718 (2355.6) [50 Hz] 568 (1863.5) [60 Hz]	843 (2765.7) [50 Hz] 642 (2106.3) [60 Hz]	798 (2618.1) [50 Hz] 568 (1863.5) [60 Hz]
Nominal voltage		230 V (50/60 Hz)	115 V (50/60 Hz)	230 V (50/60 Hz)	115 V (50/60 Hz)	400 V (50/60 Hz)
Voltage range		207–244 V	103–122 V	207–244 V	103–122 V	396–466 V
Absorbed power		68/85 W	65/83 W	150/195 W	145/182 W	126/126 W
Max. intensity (50/60 Hz)		0.52/0.370 A	0.60/0.72 A	0.65/0.85 A	1.279/1.6 A	0.226/0.232 A
Noise level		59/59 dB (A)		76/75 dB (A)	78/77 dB (A)	77/75 dB (A)
Bearing		Balls				
IP		54				
External dimensions: mm (in.)		336 × 316 × 161 (13.2 × 12.4 × 6.3)		336 × 316 × 162 (13.2 × 12.4 × 6.4)		
Cut-out: mm (in.)		291 × 291 (11.5 × 11.5)				
Weight: kg (lbs)		3.2 (7.1)		4.1 (9.0)		
Material		Injected thermoplastic (ASA PC). Self-extinguishing according to UL94 V0.				
Operating temperature		-15...+60 °C				
Storage temperature		-40...+70 °C				
Max. static pressure		140 Pa		170 Pa		

# Ventilation systems

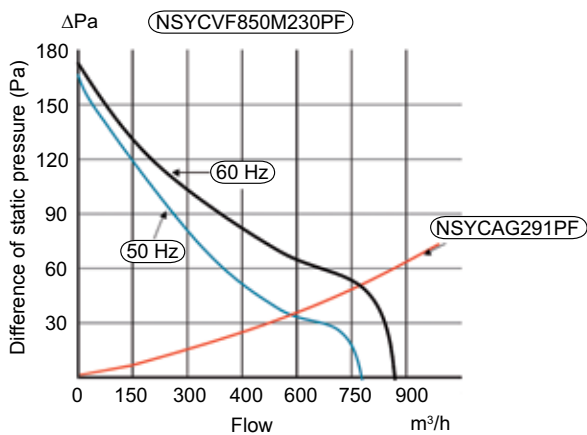
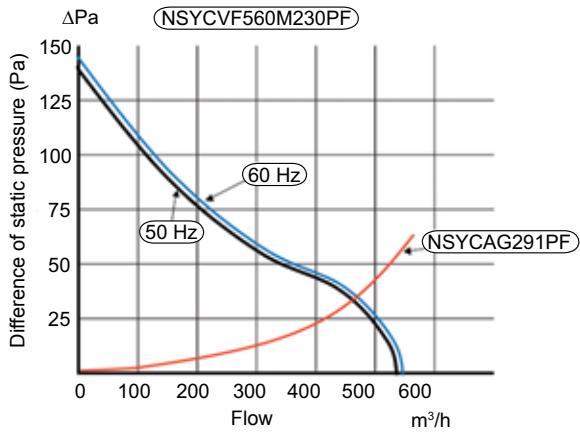
## Forced ventilation 560-850 m<sup>3</sup>/h

### Dimensions: mm (in.)

A	B	Catalog number
225 (8.9)	160.5 (6.3)	NSYCVF560M230PF NSYCVF560M115PF
280 (11.0)	162 (6.4)	NSYCVF850M230PF NSYCVF850M115PF



### Flow curves



# Ventilation systems

## Accessories



RAL 7035



RAL 7032

### Outlet grilles

- Delivered with G2 M1 synthetic standard filter.
- Material: Injected thermoplastic (ASA PC), self-extinguishing according to UL94 V0.

Dimensions: mm (in.)		IP	Catalog number RAL 7035 gray
Total (external)	Cut-out		
137 (5.4) × 117 (4.6) × 13 (0.5)	92 (3.6) × 92 (3.6)	54	<b>NSYCAG92LPF</b>
170 (6.7) × 150 (5.9) × 15 (0.6)	125 (4.9) × 125 (4.9)	54	<b>NSYCAG125LPF</b>
268 (10.6) × 248 (9.8) × 18 (0.7)	223 (8.8) × 223 (8.8)	54	<b>NSYCAG223LPF</b>
336 (13.2) × 316 (12.4) × 18 (0.7)	291 (11.5) × 291 (11.5)	54	<b>NSYCAG291LPF</b>

### Replacement grilles in RAL 7032 gray

- External part of the grille (for fan or outlet grille) for changing the color to RAL 7032 gray.

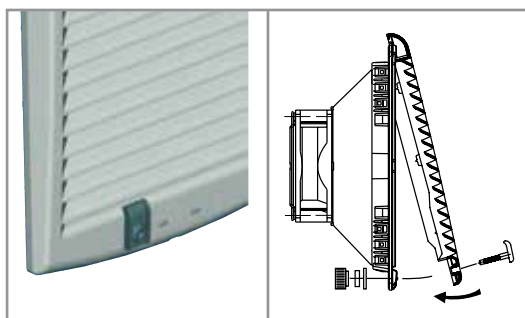
Dimensions: mm (in.) Total (external)	IP	Catalog number RAL 7032 gray
137 (5.4) × 117 (4.6) × 13 (0.5)	54	<b>NSYCAG92LPC</b>
170 (6.7) × 150 (5.9) × 15 (0.6)	54	<b>NSYCAG125LPC</b>
268 (10.6) × 248 (9.8) × 18 (0.7)	54	<b>NSYCAG223LPC</b>
336 (13.2) × 316 (12.4) × 18 (0.7)	54	<b>NSYCAG291LPC</b>



### Filters

Description	For fans and grilles		Qty.	Catalog number
	Ext. dimensions: mm (in.)	Cut-out: mm (in.)		
G2 M1 synthetic standard filters	137 (5.4) × 117 (4.6)	92 (3.6) × 92 (3.6)	5	<b>NSYCAF92</b>
	170 (6.7) × 150 (5.9)	125 (4.9) × 125 (4.9)	5	<b>NSYCAF125</b>
	268 (10.6) × 248 (9.8)	223 (8.8) × 223 (8.8)	5	<b>NSYCAF223</b>
	336 (13.2) × 316 (12.4)	291 (11.5) × 291 (11.5)	5	<b>NSYCAF291</b>
Filters for greasy environments G2 M1	170 (6.7) × 150 (5.9)	125 (4.9) × 125 (4.9)	5	<b>NSYCAF125O</b>
	268 (10.6) × 248 (9.8)	223 (8.8) × 223 (8.8)	5	<b>NSYCAF223O</b>
	336 (13.2) × 316 (12.4)	291 (11.5) × 291 (11.5)	5	<b>NSYCAF291O</b>
G3 M1 synthetic fine filters	170 (6.7) × 150 (5.9)	125 (4.9) × 125 (4.9)	5	<b>NSYCAF125T</b>
	268 (10.6) × 248 (9.8)	223 (8.8) × 223 (8.8)	5	<b>NSYCAF223T</b>
	336 (13.2) × 316 (12.4)	291 (11.5) × 291 (11.5)	5	<b>NSYCAF291T</b>
Stainless-steel anti-insect filters	137 (5.4) × 117 (4.6)	92 (3.6) × 92 (3.6)	1	<b>NSYCAF92M</b>
	170 (6.7) × 150 (5.9)	125 (4.9) × 125 (4.9)	1	<b>NSYCAF125M</b>
	268 (10.6) × 248 (9.8)	223 (8.8) × 223 (8.8)	1	<b>NSYCAF223M</b>
	336 (13.2) × 316 (12.4)	291 (11.5) × 291 (11.5)	1	<b>NSYCAF291M</b>

7



### Anti-vandalism kit

- Prevents the grille from being opened from the outside.
- The unlocking thumbwheel is accessed from the inside of the wall-mounting enclosure.
- RAL 7011 gray color (same material as the grille: ASA PC).

Quantity	Catalog number
2	<b>NSYCAAPV</b>

# Ventilation systems

## Accessories

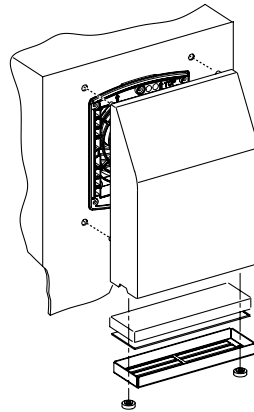


### Sealing cover IP55

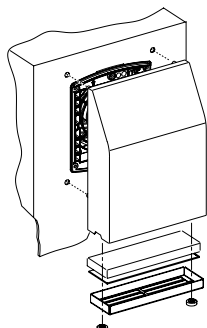
- This solution protects the fan or grille from direct sprays.
- 2 materials available:
  - Aluzinc in RAL 7035 gray color for outdoor applications.
  - Stainless steel 304L for food and beverage applications.
- Protection rating: IP55.
- Resistance to mechanical impacts: IK10.
- Double insulation maintained if installed in an insulated enclosure.
- UL certification.
- The cover is placed over the fan or the grille. A filter at the bottom of the cover helps prevent the entry of particles.
- Easy access to the filter with the removal of two screws.
- When mounting, remove the external part of the fan or the grille as well as the filter.
- The cover is the preferred solution to help ensure:
  - An efficient air flow for cooling.
  - IP55 rating.
- For a complete system, order 1 fan + 1 grille + 2 covers.

Flow rate: m³/h (ft³/h)* with cover		Dimensions: mm (in.)		Cover catalog number		Spare filter for cover	Fan catalog number	Grille catalog number
Free	With 1 outlet grille	External	Cut-out	Aluzinc RAL 7035 gray	Stainless steel 304L	Quantity 5	RAL 7035 gray	RAL 7035 gray
74 (242.8)	53 (173.9)	240 × 180 × 60	125 × 125	NSYCAP125LZF	NSYCAP125LXF	NSYCAF125L55	NSYCVF85M230PF	NSYCAG125LPF
110 (360.9)	82 (269.0)	350 × 305 × 80	223 × 223	NSYCAP223LZF	NSYCAP223LXF	NSYCAF223L55	NSYCVF165M230PF	NSYCAG223LPF
165 (541.3)	123 (403.5)	350 × 305 × 80	223 × 223	NSYCAP223LZF	NSYCAP223LXF	NSYCAF223L55	NSYCVF300M230PF	NSYCAG223LPF
316 (1036.7)	265 (869.4)	430 × 373 × 105	291 × 291	NSYCAP291LZF	NSYCAP291LXF	NSYCAF291L55	NSYCVF560M230PF	NSYCAG291LPF
502 (1647.0)	430 (1410.8)	430 × 373 × 105	291 × 291	NSYCAP291LZF	NSYCAP291LXF	NSYCAF291L55	NSYCVF850M230PF	NSYCAG291LPF

\*The impact on the flow rates of the fans supplied with the other voltages is similar to those provided by the 230 V fans.







### EMC cover IP55

- This solution helps protect against electromagnetic interference and helps ensure IP55 protection.
- The EMC cover is installed on the fans or standard IP54 outlet grilles.
- The cover, made from Aluzinc sheet steel, completely covers the fan or outlet grille.
- Conductivity is obtained by:
  - A conductive coating (2 Ω).
  - A conductive copper braid.
- Protection degree: IP55.
- Resistance to mechanical impacts: IK10.
- RAL 7035 gray.
- Absorption curve according to standard IEEE 299 1997 (UNE 50147-1).

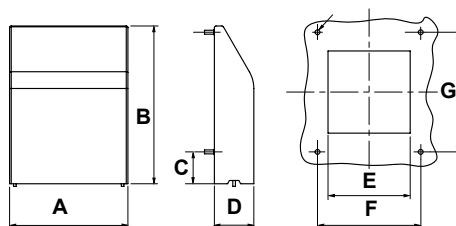
Flow rate: m <sup>3</sup> /h (ft <sup>3</sup> /h)*		Dimensions: mm (in.)		Cover catalog number	Spare filter for cover	Fan catalog number	Grille catalog number
Free	With 1 outlet grille	External	Cut-out	Aluzinc RAL 7035 gray	Quantity 5	RAL 7035 gray	RAL 7035 gray
74 (242.8)	53 (173.9)	240 × 180 × 60 (9.4 × 7.1 × 2.4)	125 × 125 (4.9 × 4.9)	NSYCAP125LE	NSYCAF125L55	NSYCVF85M230PF	NSYCAG125L55
110 (360.9)	82 (269.0)	350 × 305 × 80 (13.8 × 12.0 × 3.1)	223 × 223 (8.8 × 8.8)	NSYCAP223LE	NSYCAF223L55	NSYCVF165M230PF	NSYCAG223L55
165 (541.3)	123 (403.5)	350 × 305 × 80 (13.8 × 12.0 × 3.1)	223 × 223 (8.8 × 8.8)	NSYCAP223LE	NSYCAF223L55	NSYCVF300M230PF	NSYCAG223L55
316 (1036.7)	265 (869.4)	430 × 373 × 105 (16.9 × 14.7 × 4.1)	291 × 291 (11.5 × 11.5)	NSYCAP291LE	NSYCAF291L55	NSYCVF560M230PF	NSYCAG291L55
502 (1647.0)	430 (1410.8)	430 × 373 × 105 (16.9 × 14.7 × 4.1)	291 × 291 (11.5 × 11.5)	NSYCAP291LE	NSYCAF291L55	NSYCVF850M230PF	NSYCAG291L55

\*The impact on the flow rates of the fans with different voltages is similar to the impact of the 230 V fans.



### Dimensions of EMC covers

Dimensions: mm (in.)										
A	B	C	D	E	F	G	No. of mounting points	Cover catalog number		
								IP54		EMC
180 (7.1)	240 (9.4)	49 (1.9)	60 (2.4)	125 (4.9)	157 (6.2)	182 (7.2)	4	NSYCAP125LZF	NSYCAP125LXF	NSYCAP125LE
305 (12.0)	350 (13.8)	61 (2.4)	80 (3.1)	223 (8.8)	283 (11.1)	280 (11.0)	8	NSYCAP223LZF	NSYCAP223LXF	NSYCAP223LE
373 (14.7)	430 (16.9)	73 (2.9)	105 (4.1)	291 (11.5)	351 (13.8)	348 (13.7)	8	NSYCAP291LZF	NSYCAP291LXF	NSYCAP291LE



# Ventilation systems

## Fans and accessories



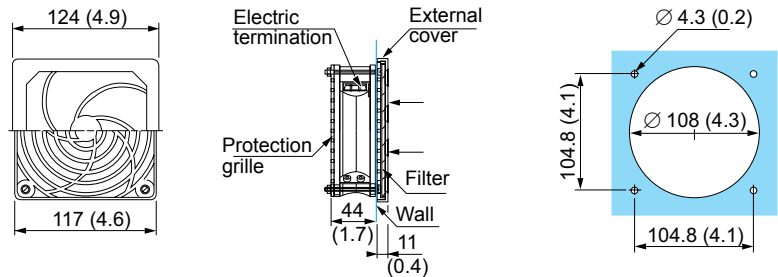
### IP20 fans

- Free flow without filter or grille: 170 m<sup>3</sup>/h (557.7 ft<sup>3</sup>/h).
- Two models according to the input voltage: 230 and 115 V, 50-60 Hz.
- Accessories: IP20 outlet grille (ABS, black) and filter (black polyurethane foam).

Voltage (V)	Flow rate: m <sup>3</sup> /h (ft <sup>3</sup> /h)	Catalog number
115	65 (213.3)	<b>NSYCVF65M115PF</b>
230	65 (213.3)	<b>NSYCVF65M230PF</b>

### Accessories

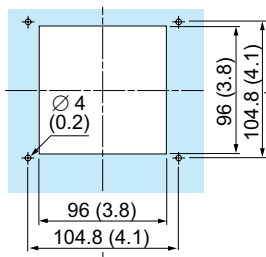
Dimensions: mm (in.)	Description	Catalog number
124 × 124 × 11 (4.9 × 4.9 × 0.4)	Outlet grille	<b>NSYCAG108LP</b>
-	Filter	<b>NSYCAF108</b>



### IP33 ventilation kit

- The ventilation kit is comprised of:
  - One 120 × 120 × 38 mm (4.7 × 4.7 × 1.5 in.) fan, 230 V-50/60 Hz, free flow rate 170 m<sup>3</sup>/h (557.7 ft<sup>3</sup>/h), IP33/IK10.
  - Two 120 × 120 mm (4.7 × 4.7 in.) metal louvers, RAL 7035 gray.
  - Two 115 × 98 mm (4.5 × 3.9 in.) anti-insect grilles, stainless-steel 304L wire.
  - Ø 0.32 mm (0.01 in.) braided, 1.07 mm (0.04 in.) meshes.
  - A power cord.
  - The hardware required for installation.
- Overall flow rate: 54 m<sup>3</sup>/h (177.2 ft<sup>3</sup>/h).
- Resistance to mechanical impacts: IK10.

Voltage (V)	Flow rate: m <sup>3</sup> /h (ft <sup>3</sup> /h)	Catalog number
230	54 (177.2)	<b>NSYCVF54M230MM2</b>



### IP54 top fan with hood

- Fan with hood, for floor-standing enclosures.
- Device delivered with hardware and connection terminal block.
- Electric power: 85 W.
- A flow rate of 350 m<sup>3</sup>/h (1148.3 ft<sup>3</sup>/h) is obtained with an outlet grille cat. no. **NSYCAG291L**PF, cut-out 291 × 291 mm (11.5 × 11.5 in.).
- Noise level: 64 dB (A).
- Installation and removal from the outside.

Flow rate*: m <sup>3</sup> /h (ft <sup>3</sup> /h)	Voltage (V)	Weight: kg (lbs)	Catalog number
570 (1870.1)	115	5.8 (12.8)	<b>NSYCVF570M115MF</b>
575 (1886.5)	230	5.8 (12.8)	<b>NSYCVF575M230MF</b>

\* Flow rate measured without counter-pressure.

Top-mounting fan  
cat. no. **NSYCVF575M230MF / NSYCVF570M115MF**

7

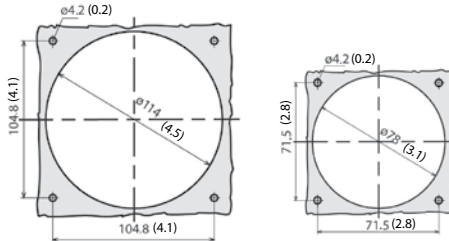
# Ventilation systems

## Fans and accessories



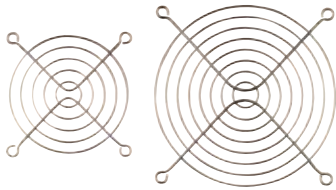
### Fan motor

- Turbine-type fan motor for ventilation/extraction.



### Outlet grilles

- Outlet filter kit for enclosure ventilation. For fans **NSYCVF156M●●●** and **NSYCVF35M●●●**.



### Rear protective grille

- Protective grille for enclosure fan motor. For fans **NSYCVF156M●●●** and **NSYCVF35M●●●**.



### Fan connection cable

- For coupling to the connection terminal of the fan motors.

**Catalog number**  
**NSYCVAC100**

Fan motor catalog number	Flow rate: m <sup>3</sup> /h (ft <sup>3</sup> /h)	Voltage (V)	Absorbed power (W)	Noise level (dB)	External dimensions: mm (in.)	Outlet grille catalog number	Protective grille catalog number
<b>NSYCVF156M230</b>	156 (511.8)	230/50-60	17/15	42	120 × 120 × 38 (4.7 × 4.7 × 1.5)	<b>NSYCAG114LPF</b>	<b>NSYCVA114M</b>
<b>NSYCVF156M115</b>	156 (511.8)	120/50-60	17/15	42	120 × 120 × 38 (4.7 × 4.7 × 1.5)	<b>NSYCAG114LPF</b>	<b>NSYCVA114M</b>
<b>NSYCVF35M230</b>	35 (114.8)	230/50-60	16/14	32	80 × 80 × 25 (3.1 × 3.1 × 1.0)	<b>NSYCAG78LPF</b>	<b>NSYCVA78M</b>
<b>NSYCVF35M115</b>	35 (114.8)	120/50-60	16/14	32	80 × 80 × 25 (3.1 × 3.1 × 1.0)	<b>NSYCAG78LPF</b>	<b>NSYCVA78M</b>

# Ventilation systems

## Circulation accessories



### Circulation fan

- User protection according to DIN 31001.
- Power: 17 W.
- Dimensions:
  - Fan: 119 × 119 × 38 mm (4.7 × 4.7 × 1.5 in.).
  - Collar length: 140 mm (5.5 in.); mounting center-to-center distance: 130 mm (5.1 in.).
- Installation on ball-bearing.

Flow rate (1): m <sup>3</sup> /h (ft <sup>3</sup> /h)	Voltage (V)	Weight: kg (lbs)	dB (A)	Catalog number
170 (557.7)	230	0.82 (1.8)	41	<b>NSYCVF170M115</b>
170 (557.7)	115	0.82 (1.8)	41	<b>NSYCVF170M230</b>

(1) Free flow.

# Ventilation systems

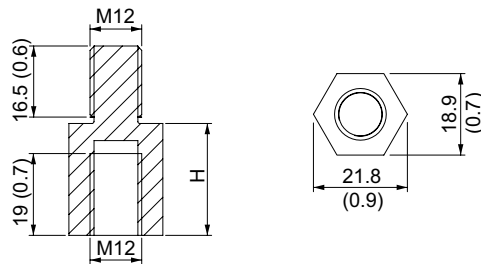
## Natural ventilation accessories



### Roof elevators

- The elevators allow the roof to be raised, providing natural ventilation.
- They are screwed onto the structure, at the roof mounting point.
- Material: zinc-coated steel.
- Supply: 4 elevators.

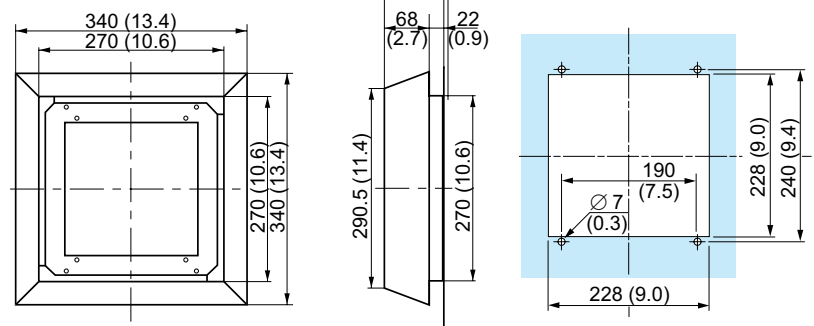
Top elevation: mm (in.) (H)	Catalog number
26 (1.0)	<b>NSYRE26</b>
60 (2.4)	<b>NSYRE60</b>



### Hood for natural ventilation, IP54

- Natural ventilation device for coupling to the top of metal floor-standing enclosures.
- Can be combined with the ventilation louvers (page 7/29).
- Mounting to the top by means of caged nuts and special screws.
- Material: steel.
- Finish: painted with epoxy-polyester resin, textured RAL 7035 gray.
- Protection rating: IP54.
- Weight: 4.6 kg (10.1 lbs).
- Supply: one hood for natural ventilation and mounting hardware.

Catalog number
<b>NSYCAC228RMF</b>



### Spare filter

Catalog number
<b>NSYCAF228R</b>



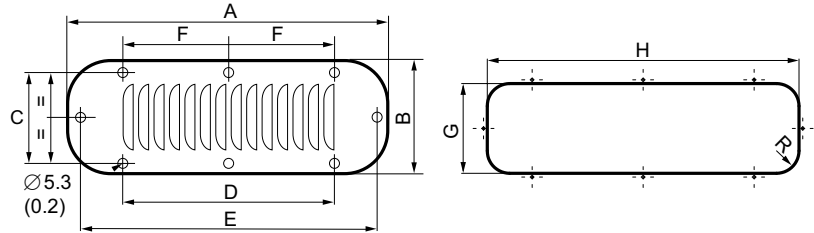
# Ventilation systems

## Natural ventilation accessories



### Metal louver plate, rectangular

- Louvers designed to be installed on the sides of the enclosure.
- Mounting by screws.
- Material: steel.
- Finish: painted with epoxy-polyester resin, textured RAL 7035 gray.
- Supply: one metal louver and mounting hardware.
- Protection rating: IP20.

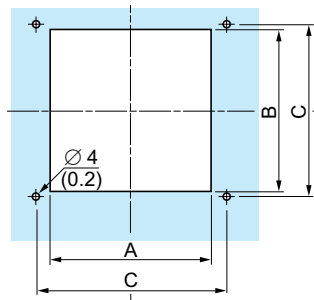


Dimensions: mm (in.)									Catalog number
A	B	C	D	E	F	G	H	R	
144 (5.7)	62 (2.4)	36 (1.4)	110 (4.3)	-	-	110 (4.3)	46 (1.8)	10 (0.4)	<b>NSYCAG110X46M</b>
208 (8.2)	90 (3.5)	72 (2.8)	94 (3.7)	190 (7.5)	-	180 (7.1)	62 (2.4)	18 (0.7)	<b>NSYCAG180X62M</b>
244 (9.6)	90 (3.5)	72 (2.8)	130 (5.1)	226 (8.9)	-	216 (8.5)	62 (2.4)	18 (0.7)	<b>NSYCAG216X62M</b>
345 (13.6)	118 (4.6)	100 (3.9)	231 (9.1)	327 (12.9)	115.5 (4.5)	317 (12.5)	90.5 (3.6)	30 (1.2)	<b>NSYCAG317X91M</b>
345 (13.6)	148 (5.8)	130 (5.1)	231 (9.1)	327 (12.9)	115.5 (4.5)	317 (12.5)	120 (4.7)	30 (1.2)	<b>NSYCAG317X120M</b>
445 (17.5)	148 (5.8)	130 (5.1)	267 (10.5)	427 (16.8)	148.5 (5.8)	417 (16.4)	120 (4.7)	30 (1.2)	<b>NSYCAG417X120M</b>



### Metal louver plate, square

- Supply: one metal louver.
- Protection rating: IP23.



Dimensions: mm (in.)	A	B	C	Slot width	No. of slots	Catalog number
120 × 120 (4.7 × 4.7)	95 (3.7)	104 (4.1)	104.8 (4.1)	90 (3.5)	5	<b>NSYCAG104X95LM</b>
160 × 160 (6.3 × 6.3)	110 (4.3)	130 (5.1)	140 (5.5)	100 (3.9)	5	<b>NSYCAG130X110LM</b>
220 × 220 (8.7 × 8.7)	190 (7.5)	170 (6.7)	200 (7.9)	180 (7.1)	5	<b>NSYCAG170X190LM</b>



### Anti-insect filters for metal louver plate, square

- The filters are installed between the enclosure and the metal louver.
- Material: Stainless steel 304L Ø 0.32 mm (0.01 in.) wire mesh, of 1.07 mm (0.04 in.), thickness 0.6 mm (0.02 in.).
- Increases protection rating to IP33.
- Weight: 0.8 kg/m<sup>2</sup> (19.0 lbs/ft<sup>2</sup>).
- Supply: one anti-insect filter.

Louver plate cat. no.	External dimensions: mm (in.)	Filter cat. no.
<b>NSYCAG104X95LM</b>	98 × 115 (3.9 × 4.5)	<b>NSYCAF104X95X</b>
<b>NSYCAG130X110LM</b>	133 × 158 (5.2 × 6.2)	<b>NSYCAF130X110X</b>
<b>NSYCAG170X190LM</b>	197 × 215 (7.8 × 8.5)	<b>NSYCAF170X190X</b>

# Ventilation systems

## Natural ventilation accessories



### Plastic ventilation louvers

- Four models available according to IP rating, in vertical position.
- Supply: 2 plastic ventilation louvers.

Cut-out Ø: mm (in.)	IP	Catalog number
45.5 (1.8)	22	NSYCAG45LP
35 (1.4)	30/44 (1)	NSYCAG35LP
38 (1.5)	45	NSYCAG38LP
33 (1.3)	44	NSYCAG33LP
19 (0.7)	45	NSYCAG19LP

(1) When installed in the Thalassa enclosure.



NSYCAG12LPH•

### Sealed anti-condensation valve

- Controls the pressure to avoid condensation following an internal temperature increase.
- Maintains IP68.
- Material: PA6-V2, acrylic co-polymer membrane, water and oil repellent.
- Operating temperature: -40... +105 °C.

Cut-out Ø: mm (in.)	Permeability (1): liters/h (gal/h)	Pressure difference (2)	Quantity	Catalog number
M12 (0.5)	16 (4.2)	$\Delta P < 1$ bar	10	NSYCAG12LPH1
M12 (0.5)	120 (31.7)	$\Delta P < 0.1$ bar	10	NSYCAG12LPH2

(1) Air flow under  $\Delta P = 0.07$  bar.

(2) Condition for IP68.

### Applications

- Protection of equipment for lighting, industrial control, rolling systems, pumps, etc.





# Cooling unit

## SLIM electronic control

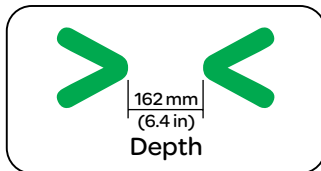
### SLIM for perfect integration



- 1 cooling unit:
- 4 power levels
  - 3 voltage levels

- 1 cover:
- Flush
  - Partial-flush
  - Surface

66 models, from 1100 to 2700 W, 115 to 460 V, flush mounting, partial-flush mounting or surface mounting, with or without electronic display, IP55, UL compliant.



### Minimum depth

All the models of the SLIM range have a depth of 162 mm (6.4 in.) to maximize the volume inside the enclosure.

### Modular system

- There are 66 possible combinations with only 17 catalog numbers.
- Three different installation types are possible with the same air-conditioning unit (surface, partial flush and flush).

### Power ranges

1100 W, 1500 W, 2200 W and 2700 W.

### Versions

- RAL 7035 gray and stainless steel.
- Option to provide other colors on request.

### Internal IP55

The SLIM range is supplied as standard with an expanded polyurethane gasket to help ensure optimum sealing with IP55 protection throughout the enclosure.



# Cooling unit

## SLIM electronic control



### UL/UR certification

UL certification awarded for the entire SLIM range.



### The best is inside

The best material has been selected to offer maximum reliability and durability. The compressors and fans, as well as the rest of the components, are top quality.

### Electronic regulation as standard

- Programmed to control the enclosure temperature of 35 °C. This temperature should be enough to protect the electrical and electronic equipment installed in the enclosure.
- Supplied with an electronic thermostat to provide greater reliability and precision for the cooling unit.
- Optional electronic display for reading and controlling the temperature setting, cat. no. **NSYCUAY**.

55 °C

### High resistance to outside ambient temperatures of up to 55 °C

The high-quality compressors used allow work to be performed in areas with extreme temperatures of up to 55 °C.



ENVIRONMENTALLY FRIENDLY

### Cooling fluid used: R134a (HFC)

This is a gas that respects the ozone layer.

### Easy opening and closing of the covers

The cover of the cooling unit is released by simply unscrewing two screws. This saves time and facilitates maintenance tasks.



### Easy maintenance

- Internal details such as the space between the aluminum plates enable easier access during cleaning.
- The inside can be accessed by removing only two screws.

# Cooling unit

## SLIM electronic control

### Characteristics



NSYCUB1100W230S

Modular version:  
1 cooling unit + 1 cover

7

#### SLIM

- Power ranges from 1100 W to 2700 W.
- 3 installation options: surface, partial flush and flush.
- Versions in RAL 7035 gray and stainless steel.
- Electronic thermostat with control option (precision of  $\pm 1$  °C). Option of installing a display as an accessory.
- Minimal depth of 162 mm (6.4 in.) in every model.
- Internal IP55 (enclosure side) maintains the protection degree of the enclosure up to IP55.
- The unit is controlled by 3 commands:
  - Thermostat value.
  - Signal of an anomaly (sudden disconnection, incorrect phase installation, filter blocked with dirt, high compressor temperature, high enclosure temperature).
  - Door open switch signal.
- A minimum height of 1800 mm (70.9 in.) and door width of 800 mm (31.5 in.) or side panel width of 600 mm (23.6 in.) is required to install a SLIM cooling unit in a Spacial enclosure.

#### General characteristics

- Desired internal temperature adjustable from +20 to +50 °C.
- Maximum ambient temperature: +55 °C.
- All the units have as standard a pressure gauge with automatic reset. If the high pressure exceeds the safe value (in the high-pressure circuit) the pressure gauge acts by cutting off the power supply to the compressor and the external fan.
- External and internal air circuits separated with IP55. The fan of the internal circuit operates permanently, to help prevent hot spots in the installation.
- Equipped with an alarm relay activated by the pressostat in the high-pressure circuit.
- Respect for the environment using environmentally friendly gas R134a (HFC).

Specifications	NSYCUB1100W230S
Dimensions: mm (in.)	
Height	1580 (62.2)
Width (according to installation type)	surface: 460 (18.1); partial flush or flush: 495 (19.5)
Depth	162 (6.4)
Control type	electronic with control without display (display optional)
Unit control	thermostat+alarm+door closed
Temperature setting range	+20...+50 °C
Maximum outside temperature	+55 °C
Type of zero-potential alarm	Inverter contact
Cooling gas type	R134a
IP (IEC 60529)	
On the internal circuit	55
On the external circuit	34
External circuit filter	No (for use in aggressive environments, contact us)
Mounting position (order the correct cover)	surface, partial flush or flush
Available cover versions	RAL 7035 gray and stainless steel (please contact us for RAL 7032 gray)
Certifications/markings	UL in process and CE



Modular version: Always order one SLIM cooling unit plus one cover unit.

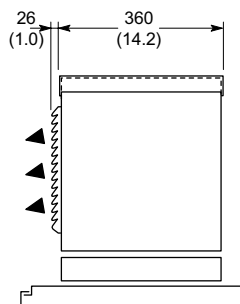
## Cooling unit Accessories



### Intermediate frame

- Frame allowing the top-mounting unit, cat. no. **NSYCU760W230VR**, to be mounted on enclosures with a width of 600 mm (23.6 in.) and a depth of 400 mm (15.7 in.).

Description	Catalog number
Intermediate frame	<b>NSYCUAI</b>



### Spare filter

- Filter with a density of 32 kg/m<sup>2</sup> (759.4 lbs/ft<sup>2</sup>) and a thickness of 13 mm (0.5 in.), for all the side-mounting and top-mounting units.
- Order in multiples of 24 filters.

Description	Catalog number
Spare filter	<b>NSYCEAF</b>

### Electronic display

Enables control of the thermostat and displays the temperature inside the enclosure. The display is supplied with a connection cable and a metal plate for inserting the display in the cover of the cooling unit. No prior programming is required.

Description	Catalog number
Display	<b>NSYCUAY</b>

# Cooling unit

## SLIM electronic control

### Characteristics

Catalog number	NSYCUB1100W230S	NSYCUB1100W400S	NSYCUB1100W115S
	1100 W	1100 W	1100 W
Voltage	230 V 50/60 Hz	3 × 400 V 50 Hz/3 × 460V 60 Hz	115 V 50/60 Hz
Power according to EN14511			
L35-35	1100/1200 W (3754/4095 Btu/h)	1100/1200 W (3754/4095 Btu/h)	1100/1200 W (3754/4095 Btu/h)
L35-L50	850/900 W (2900/3071 Btu/h)	850/900 W (2900/3071 Btu/h)	850/900 W (2900/3071 Btu/h)
Intensity			
Starting current	11/13.5 A	8.5/10.5 A	22/27A
Rated current	2.9/3.5 A	2.2/2.3 A	5.8/7 A
Power consumption			
L35-L35	600/710 W	0.87/0.92 KW	0.6/0.71 KW
L50-L35	710/850 W	0.99/1.1 KW	0.71/0.85 KW
Energy efficiency ratio (EER)			
L35-L35	1.8/1.7	1.3/1.3	1.8/1.7
Noise level	67 dB (A)	67 dB (A)	67 dB (A)
Air flow: m <sup>3</sup> /h (ft <sup>3</sup> /h)			
of the internal circuit	570 (1870.1) / 620 (2034.1)	570 (1870.1) / 620 (2034.1)	570 (1870.1) / 620 (2034.1)
of the external circuit	860 (2821.5) / 900 (2952.8)	860 (2821.5) / 900 (2952.8)	860 (2821.5) / 900 (2952.8)
Weight of unit: kg (lbs)	46 (101.4)	42 (92.6)	46 (101.4)
Thermal protection recommended (fuse melt curve)	T4A	T6A	T8A

Catalog number	NSYCUB1500W230S	NSYCUB1500W400S	NSYCUB1500W115S
	1500 W	1500 W	1500 W
Voltage	230 V 50/60 Hz	3 × 400 V 50Hz/3 × 460V 60Hz	115 V 50/60 Hz
Power according to EN14511			
L35-35	1600/1700 W (5459/5800 Btu/h)	1500/1600 W (5118/5459 Btu/h)	1600/1700 W (5459/5800 Btu/h)
L35-L50	1300/1400 W (4436/4777 Btu/h)	1200/1300 W (4094/4435 Btu/h)	1300/1400 W (4436/4777 Btu/h)
Intensity			
Starting current	16.7/19.2 A	7.2/9.0 A	33.4/38.4 A
Rated current	4.4/5.1 A	2.4/3.0 A	8.8/10.2 A
Power consumption			
L35-L35	830/950 W	1300/1500 W	0.83/0.95 KW
L50-L35	950/1100 W	1500/1800 W	0.95/1.1 KW
Energy efficiency ratio (EER)			
L35-L35	1.9/1.8	1.2/1.1	1.9/1.8
Noise level	69 dB (A)	67 dB (A)	69 dB (A)
Air flow: m <sup>3</sup> /h (ft <sup>3</sup> /h)			
of the internal circuit	860 (2821.5) / 900 (2952.8)	860 (2821.5) / 900 (2952.8)	885 (2903.5) / 990 (3248.0)
of the external circuit	885 (2903.5) / 990 (3248.0)	885 (2903.5) / 990 (3248.0)	886 (2906.8) / 990 (3248.0)
Weight of unit: kg (lbs)	49 (108.0)	50 (110.2)	49 (108.0)
Thermal protection recommended (fuse melt curve)	T6A	T4A	T4A

7

SLIM covers			
	Surface-mounting	Partial flush-mounting	Flush-mounting
RAL 7035 gray	<b>NSYCUCL</b>	<b>NSYCUCH</b>	<b>NSYCUCF</b>
Stainless-steel	<b>NSYCUCLX</b>	<b>NSYCUCHX</b>	<b>NSYCUCFX</b>



Modular version: Always order one SLIM cooling unit plus one cover unit.

# Cooling unit

## SLIM electronic control

### Characteristics

Catalog number	NSYCUB2200W230S	NSYCUB2200W400S	NSYCUB2200W115S
	2200 W	2200 W	2200 W
Voltage	230 V 50/60 Hz	3 × 400 V 50 Hz/3 × 460 V 60 Hz	115 V 50/60 Hz
Power according to EN14511			
L35-35	2200/2400 W (7507/8189 Btu/h)	2200/2400 W (7507/8189 Btu/h)	2200/2400 W (7507/8189 Btu/h)
L35-L50	1800/2000 W (6142/6824 Btu/h)	1800/2000 W (6142/6824 Btu/h)	1800/2000 W (6142/6824 Btu/h)
Intensity			
Starting current	22.2/26.2 A	7.9/9.5 A	44.4/52.4 A
Rated current	5.8/6.9 A	2.6/3.2 A	11.6/13.8 A
Power consumption			
L35-L35	1100/1300 W	1500/1800 W	1.1/1.3 KW
L50-L35	1300/1500 W	1800/2100 W	1.3/1.5 KW
Energy efficiency ratio (EER)			
L35-L35	2/1.8	1.5/1.3	2/1.8
Noise level	67 dB (A)	69 dB (A)	67 dB (A)
Air flow: m <sup>3</sup> /h (ft <sup>3</sup> /h)			
of the internal circuit	860 (2821.5) / 900 (2952.8)	885 (2903.5) / 990 (3248.0)	885 (2903.5) / 990 (3248.0)
of the external circuit	885 (2903.5) / 990 (3248.0)	885 (2903.5) / 990 (3248.0)	886 (2906.8) / 990 (3248.0)
Weight of unit: kg (lbs)	50 (110.2)	54 (119.0)	50 (110.2)
Thermal protection recommended (fuse melt curve)	T8A	T4A	T16A

Catalog number	NSYCUB2700W230S	NSYCUB2700W400S
	2700 W	2700 W
Voltage	230 V 50/60 Hz	3 × 400 V 50 Hz/3 × 460 V 60 Hz
Power according to EN14511		
L35-35	2700/2900 W (9218/9901 Btu/h)	2700/2900 W (9218/9901 Btu/h)
L35-L50	2200/2400 W (7511/8194 Btu/h)	2200/2400 W (7511/8194 Btu/h)
Intensity		
Starting current	24.8/28.2 A	9/10.6 A
Rated current	6.4/6.7 A	3/3.5 A
Power consumption		
L35-L35	1200/1400 W	1700/2000 W
L50-L35	1400/1700 W	2000/2300 W
Energy efficiency ratio (EER)		
L35-L35	2.3/2.1	1.6/1.5
Noise level	69 dB (A)	69 dB (A)
Air flow: m <sup>3</sup> /h (ft <sup>3</sup> /h)		
of the internal circuit	1050 (3444.9) / 1160 (3805.8)	1050 (3444.9) / 1160 (3805.8)
of the external circuit	1200 (3937.0) / 1340 (4396.3)	1200 (3937.0) / 1340 (4396.3)
Weight of unit: kg (lbs)	57 (125.7)	60 (132.3)
Thermal protection recommended (fuse melt curve)	T8A	T4A

SLIM covers			
	Surface-mounting	Partial flush-mounting	Flush-mounting
RAL 7035 gray	<b>NSYCUCL</b>	<b>NSYCUCH</b>	<b>NSYCUCF</b>
Stainless-steel	<b>NSYCUCLX</b>	<b>NSYCUCHX</b>	<b>NSYCUCFX</b>



Modular version: Always order one SLIM cooling unit plus one cover unit.

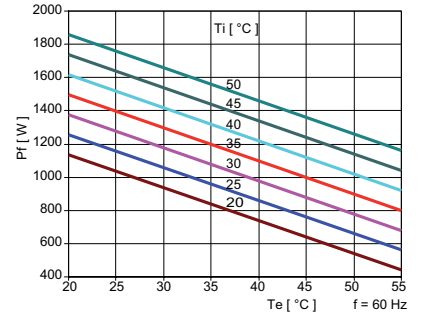
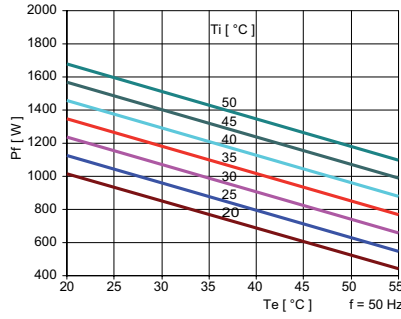


# Cooling unit

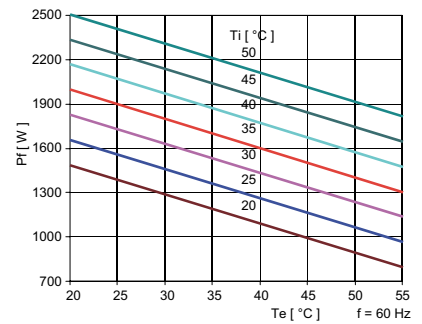
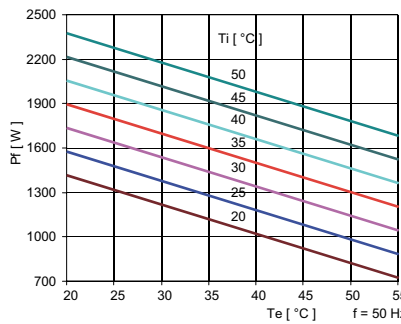
## SLIM electronic control

### Curves

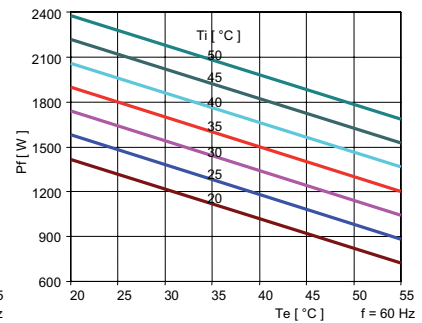
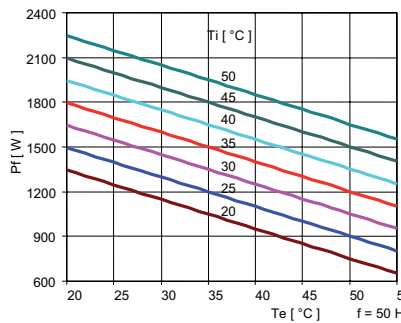
**NSYCUB1100W●●●**



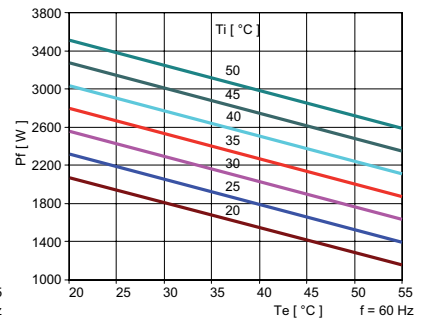
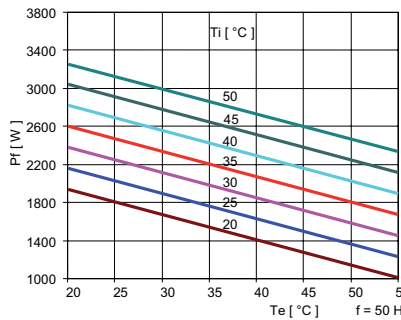
**NSYCUB1500W230S NSYCUB1500W115S**



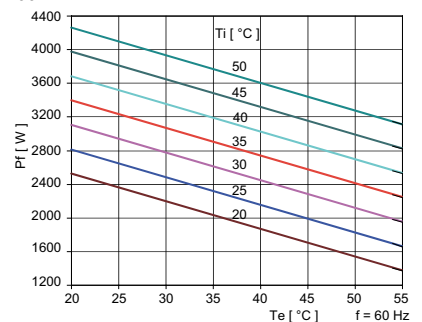
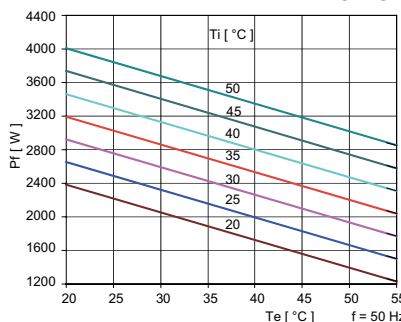
**NSYCUB1500W400S**



**NSYCUB2200W●●●**



**NSYCUB2700W●●●**



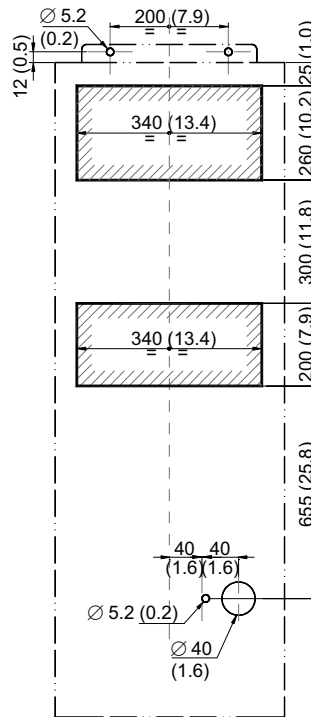
7

# Cooling unit

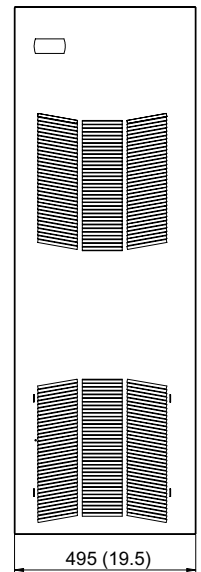
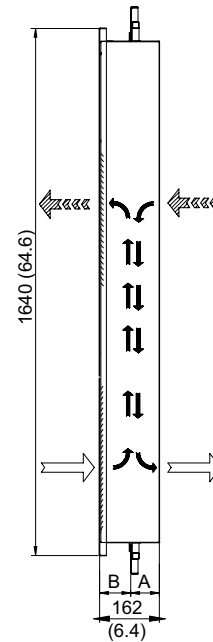
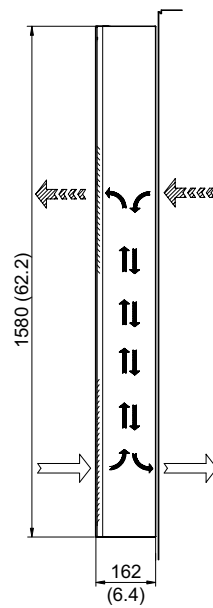
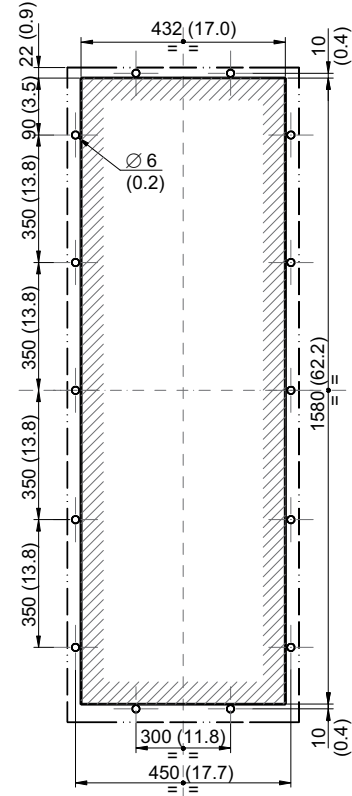
## SLIM electronic control

### Mounting templates

Template for surface mounting



Template for flush-mounting and partial flush-mounting



Version	Flush-mounting	Partial flush-mounting and surface-mounting
A = inside the enclosure	141 mm (5.6 in.)	81 mm (32. in.)
B = outside the enclosure	21 mm (0.8 in.)	81 mm (32. in.)



# Insulated resistance heaters

## Introduction

The resistance heaters prevent the formation of condensation and help ensure the ideal temperature for the correct operation of the electronic components in the enclosure.



### Large range of power levels

- 2 versions: by natural convection and with fan.
- AC or DC power supply.
- 7 power levels, from 10 W to 550 W.



### Innovative design

Covered with plastic to prevent direct contact with the aluminum radiator.

# Insulated resistance heaters

## Introduction



### Easy installation and connection

- Reduced dimensions.
- Quick electric connection by terminal board.
- No maintenance required.
- Direct clipping onto a 35-mm (1.4 in.) DIN rail.

### Safety

- The protection prevents direct contact with the aluminum radiator.
- Electric protection device with terminal block cover.
- Equipped with a PTC-type heater (positive temperature coefficient).
- Surface temperature lower than 70 °C.

### High thermal efficiency

- The configuration of the aluminum profile produces a chimney effect for high natural convection.
- Low power consumption thanks to a self-regulating PTC-type heater.



### Models with fan

- The heaters are equipped with a fan to help ensure air circulation and a uniform temperature inside the enclosure.
- High-flow, silent fan.



### Certifications

- CE marking.
- Range compliant with UL and VDE.

# Resistance heaters

## Applications



### Conditions of use

- The resistance heaters are controlled by a thermostat or a humidistat.
- The enclosure must be sealed to prevent the entry of air from the outside.



### Dew point temperature

The dew point temperature is the minimum temperature that can be reached before condensation begins to form.

Example:

Ambient temperature = 25 °C.

Relative humidity = 50%.

A temperature of more than 14 °C must be maintained inside the enclosure.

Relative humidity (%)	Ambient temperature (°C)							
	20	25	30	35	40	45	50	55
40	6	11	15	19	24	28	33	37
50	9	14	19	23	28	32	37	41
60	12	17	21	26	31	36	40	45
70	14	19	24	29	34	38	43	48
80	16	21	26	31	36	41	46	51
90	18	23	28	33	38	43	48	53
100	20	25	30	35	40	45	50	55

7



### Installation tips

- Install several heaters according to the desired power level at the bottom of the enclosure.
- Maintain a clearance of at least 10 cm (3.9 in.) around the device.
- Do not install bulky devices above the heater, since this could reduce the effect of natural convection.
- Do not install heat-sensitive components directly above a heater.
- If several heaters are used, they must be installed in parallel. Serial installation is not an option.
- The heater must be installed vertically to ensure optimum convection.

# Resistance heaters

## Selection guide



### Insulated resistance heaters

Power (W)	Voltage (V)	Connection type Terminal block	Catalog number
10	110–250 AC	•	NSYCR10WU2C
21	110–250 AC	•	NSYCR20WU2C
55	110–250 AC	•	NSYCR50WU2C
100	110–250 AC	•	NSYCR100WU2C
147	110–250 AC	•	NSYCR150WU2C

# Resistance heaters

## Selection guide



### Insulated resistance heater with fan

Power (W)	Voltage (V)	Connection type Terminal block	Catalog number
177	230 AC	•	NSYCR170W230VVC



NSYCR350W230VTVC



### Thermofans

Power (W)	Voltage (V)	Connection type Terminal block	Catalog number
350	230 AC	•	NSYCR350W230VTVC
400/550	120 AC	•	NSYCRP1W120VTVC
400/550	230 AC	•	NSYCRP1W230VTVC



NSYCRS200W230V

### Resistance heaters with fan

Power (W)	Voltage (V)	Connection type Terminal block	Catalog number
250	115 AC	•	NSYCR250W115VV
400	115 AC	•	NSYCR400W115VV
200	115 AC	•	NSYCRS200W115V

### Mounting accessories

Description	Catalog number
Set of 5 studs	NSYCRAF
Set of 5 studs and DIN rail	NSYCRAFD



NSYCRAFD



NSYCRAF

# Insulated resistance heaters



## Insulated resistance heater 10 W and 20 W

### General characteristics

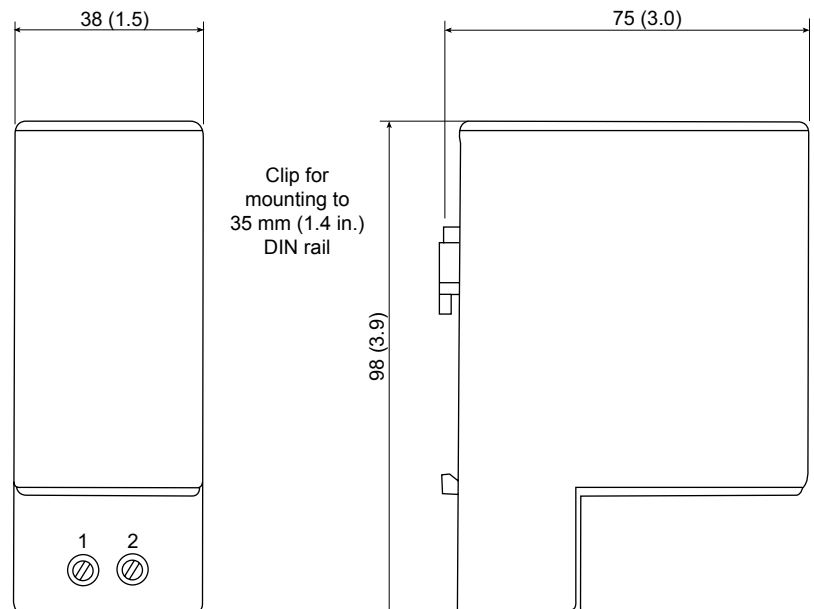
- Compact resistance heater to help prevent the formation of condensation or frost.
- Designed to ensure good natural convection and high thermal efficiency.
- Compact design with reduced dimensions.
- Extruded aluminum body.
- Covered with a UL94 V0 plastic cover, light gray, to avoid direct contact with the heating elements.
- Surface temperature limited to 70 °C.
- Equipped with a power cable.
- Double insulated.
- Range with PTC technology.
- Quick mounting by clip on a 35-mm DIN rail.
- UL and VDE certifications. CE marking.

### Conditions of use

- The heaters must be installed with a thermal controller (see the selection tables on pages 7/48 and 7/49) to control the temperature or the humidity inside the enclosure.
- The enclosure must be sealed to prevent the entry of air from the outside.
- An electrical protection device must be installed on the supply side of the unit.

Specifications	Catalog number	
	NSYCR10WU2C	NSYCR20WU2C
Power at 0 °C	10 W	20 W
Voltage	110–250 V AC	110–250 V AC
Technology	PTC	
Surface temperature	<70 °C, except for the top protection grille	
Electric connection	2 poles, 2.5 mm <sup>2</sup> (0.1 in <sup>2</sup> )	
Mounting	By clip on a 35-mm (1.4 in.) DIN rail.	
Cover	UL94 V0 plastic	
Operating position	Vertical	
Operating temperature	-40...+70 °C	-10...+158 °F
IP protection rating	IP20 class II (double insulated)	
Certifications	VDE and UL	

### Dimensions: mm (in.)



# Insulated resistance heaters



## Insulated resistance heater 55 W - 100 W - 147 W

### General characteristics

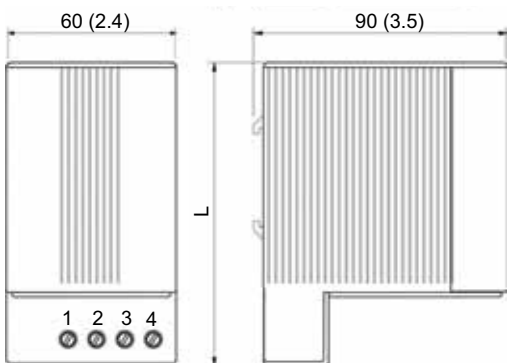
- Compact resistance heater to help prevent the formation of condensation or frost.
- Designed to ensure good natural convection and high thermal efficiency.
- Compact design with reduced dimensions.
- Extruded aluminum body.
- Covered with a UL94 V0 plastic cover, light gray, to avoid direct contact with the heating elements.
- Surface temperature limited to < 70 °C.
- Equipped with quick-connection terminals: 2.5 mm<sup>2</sup> (0.1 in<sup>2</sup>).
- Double insulated.
- Range with PTC technology.
- Quick mounting by clip on a 35-mm (1.4 in.) DIN rail.
- UL and VDE certifications. CE marking.

### Conditions of use

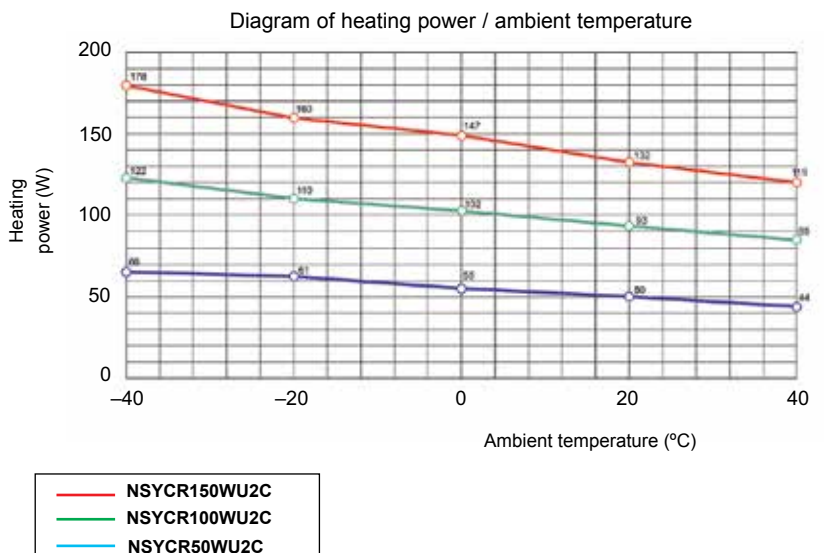
- The heaters must be installed with a thermal controller (see the selection tables on pages 7/48 and 7/49) to control the temperature or the humidity inside the enclosure.
- The enclosure must be sealed to prevent the entry of air from the outside.
- An electrical protection device must be installed on the supply side of the unit.

Specifications	Catalog number		
	NSYCR50WU2C	NSYCR100WU2C	NSYCR150WU2C
Power at 0 °C	55 W	100 W	147 W
Voltage	110–250 V AC	110–250 V AC	110–250 V AC
Technology	PTC		
Surface temperature	<70 °C, except for the top protection grille		
Electric connection	4 poles, 2.5 mm <sup>2</sup> (0.1 in <sup>2</sup> )		
Mounting	By clip on 35-mm DIN rail		
Cover	UL94 V0 plastic		
Operating position	Vertical		
Operating temperature	–40...+70 °C –10...+158 °F		
IP protection rating	IP20 class II (double insulated)		
Certifications	VDE and UL		
Height (H)	110 mm (4.3 in.)	150 mm (5.9 in.)	

### Dimensions: mm (in.)



### Performance diagram



# Insulated ventilated resistance heaters



## Insulated, ventilated resistance heater 177 W

### General characteristics

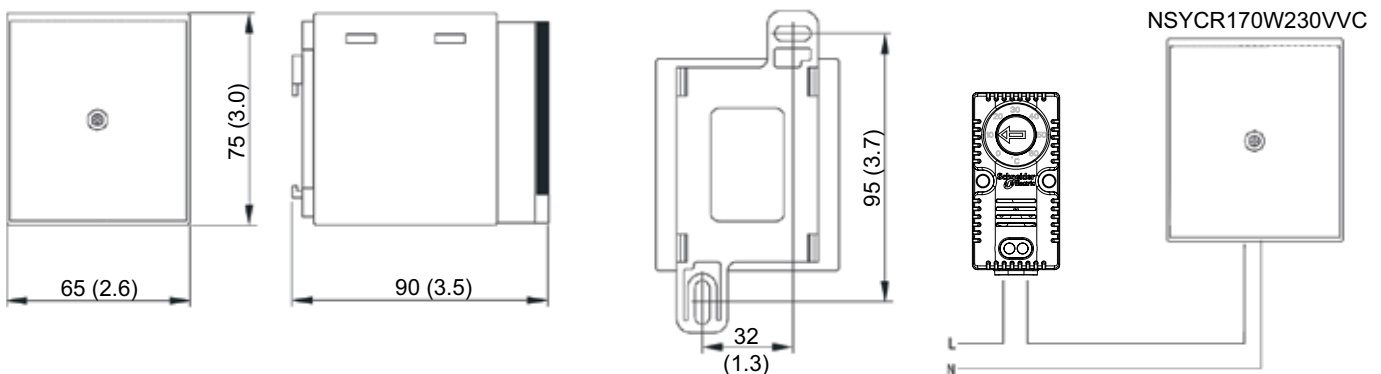
- Compact resistance heater to help prevent the formation of condensation or frost.
- Equipped with an axial fan for uniform heating inside the enclosure.
- Compact design with reduced dimensions.
- Extruded aluminum body.
- Covered with a UL94 V0 plastic cover, light gray, to avoid direct contact with the heating elements (PTC).
- Surface temperature limited to 50 °C.
- Equipped with quick-connection terminals: 2.5 mm<sup>2</sup> (0.1 in<sup>2</sup>).
- Double insulated.
- Range with PTC technology.
- Quick mounting by clip on a 35-mm (1.4 in.) DIN rail.
- UL and VDE certifications. CE marking.

### Conditions of use

- The heaters must be installed with a thermal controller (see selection table on pages 7/48 and 7/49) to control the temperature or the humidity inside the enclosure.
- The enclosure must be sealed to prevent the entry of air from the outside.
- An electrical protection device must be installed on the supply side of the unit.

Specifications	Catalog number	
	NSYCR170W230VVC	
Power at 0 °C	177 W	
Voltage	230 V AC; 50-60 Hz	
Technology	PTC	
Surface temperature	Max. 50 °C in the enclosure, 100 °C on the top protection grille (for an ambient temperature of 20 °C / 68 °F)	
Service life	40,000 h at 40 °C	
Air flow	13.8 m <sup>3</sup> /h (45.3 ft <sup>3</sup> /h)	
Electric connection	2 poles 2.5 mm <sup>2</sup> (0.1 in <sup>2</sup> )	
Mounting	By clip on 35-mm (1.4 in.) DIN rail	
Cover	UL94 V0 plastic	
Operating position	Vertical	
Operating temperature	-40...+70 °C -10...+158 °F	
IP protection rating	IP20 class II (double insulated)	
Certifications	VDE and UL	

### Dimensions: mm (in.)





# Thermal control Overview



## Adjustable thermostats

- Blue button with normally open (NO) contact to control the starting of a fan when the temperature exceeds the displayed maximum value.
- Red button with normally closed (NC) contact to control the stopping of a resistance heater when the temperature exceeds the displayed value.
- Large range of temperature control.
- Small dimensions.
- Easily accessible terminals.
- High connection power.
- 4 types of hardware.

## Double-adjustable thermostat

- Double temperature control with a resistance heater and a fan with separate operation.
- Red button with normally closed (NC) contact for controlling the resistance heaters.
- Blue button with normally open (NO) contact for controlling the fans.
- A double thermostat with separate adjustments and operations within the same device.
- Easily accessible terminals.
- Various installation methods.



## The new quick-mounting systems:

- On a 35-mm (1.4 in.) DIN rail.



- On a Spacial upright.



- On a cross-rail.



- On a mounting plate.

# Thermal control

## Overview



### Thermostat with NO/NC contact

- NO/NC inverter for controlling the resistance heaters or the fans.
- Switching by means of two NO/NC contacts.
- Easily accessible terminals.
- High connection power.
- 4 types of quick-mounting systems.
- Versions in °C and °F.



### Electronic thermostat with LCD screen

- Three thermostats for different input voltages (9–30 V, 110–127 V, 220–240 V).
- Operating temperature: 0 °C...+50 °C.
- Simple programming.
- Option of installing an external sensor, cat. no. **NSYCCAST**, for remotely reading the temperature (operating temperature: –30 °C...+80 °C).
- Ventilation and heating function (2 separate relays).
- High switching power.
- Hysteresis: 2 K (+/–0.1 K).
- 7 different operating modes.
- Additional operating mode with 1 external sensor. Reads and compares the internal and external temperatures in order to control the ventilation, the heating or the alarm.
- Temperature adjustment range: +5 °C...+50 °C.



### Electronic hygrotherms

- Electronic hygrotherms for different input voltages (9–30 V, 110–127 V, 220–240 V).
- Operating temperature: 0 °C...+ 50 °C.
- Option of installing an external sensor, cat. no. **NSYCCAST**, for remotely reading the temperature (operating temperature: –30 °C...+80 °C).
- Simple programming.
- 3 different operating modes.
- High switching power.
- T hysteresis: 2 K (+/–0.1 K).
- RH hysteresis: 3%.
- Temperature adjustment range: +5 °C...+50 °C.
- Humidity adjustment range: 20%...80%.



### Electronic humidistat

- Electronic humidistat for different input voltages (110–240 V).
- Operating temperature: 0 °C...+50 °C.
- Simple programming.
- 2 different operating modes.
- High switching power.
- RH hysteresis: 3%.
- Humidity adjustment range: 20%...80% RH.

# Thermal control

## Selection guide mechanical version

### Control a resistance heater or an alarm



NC thermostat

Setting range	Display	Contact	Application	Control element	Interrupting capacity (resistive load)	Catalog number
0...+60 °C	°C	O	Heat	Bimetal	30 W DC 120 V AC; 15 A 250 V AC; 10 A	NSYCCOTHC
+32...+140 °F	°F					NSYCCOTHCF

### Control a fan or an alarm



NO thermostat

Setting range	Display	Contact	Application	Control element	Interrupting capacity (resistive load)	Catalog number
0...+60 °C	°C	NO	Ventilate	Bimetal	30 W DC 120 V AC; 15 A 250 V AC; 10 A	NSYCCOTHO
+32...+140 °F	°F					NSYCCOTHOF

### Control a resistance heater and a fan



Double thermostat

Setting range	Display	Contact	Application	Control element	Interrupting capacity (resistive load)	Catalog number
0...+60 °C	°C	NC + NO	Heat or ventilate	Bimetal	30 W DC 120 V AC; 15 A 250 V AC; 10 A	NSYCCOTHD
+32...+140 °F	°F					NSYCCOTHDF

### Control a resistance heater or a fan



Thermostat with inverse contact

Setting range	Display	Contact	Application	Control element	Interrupting capacity (resistive load)	Catalog number
0...+60 °C	°C	Inverse	Heat or ventilate	Bimetal	Closing: 30 W DC 250 V AC; 5 A Opening: 30 W DC 250 V AC; 10 A	NSYCCOTHI
+32...+140 °F	°F					NSYCCOTHIF

# Thermal control

## Selection guide electronic version

### Control a resistance heater or a fan



Electronic thermostat

Setting range	Display	Power input	Application	Control element	No. of relays	Interrupting capacity (resistive load)	Catalog number
+5 °C...+50 °C	°C or °F	9–30 V AC/DC	Heat or ventilate	Electronic	2	8 (5) A 230 V AC 5 A 30 V DC	NSYCCOTH30VID
		110–127 V AC					NSYCCOTH120VID
		220–240 V AC					NSYCCOTH230VID

7 different operating modes.  
Option of installing one or two external sensors.

### Control temperature and relative humidity



Electronic hygrotherm

Setting range	Display	Power input	Application	Control element	No. of relays	Interrupting capacity (resistive load)	Catalog number
+5 °C...+50 °C	°C or °F	9–30 V AC/DC	Heat or ventilate	Electronic	2	8 (5) A 230 V AC 5 A 30 V DC	NSYCCOHT30VID
		110–127 V AC					NSYCCOHT120VID
		220–240 V AC					NSYCCOHT230VID

3 different operating modes.  
Option of installing an external sensor.

### Control relative humidity



Electronic humidistat

Setting range	Display	Power input	Application	Control element	No. of relays	Interrupting capacity (resistive load)	Catalog number
20%...80%	% RH	110–240 V AC	Heat or ventilate	Electronic	2	8 (5) A 230 V AC 5 A 30 V DC	NSYCCOHT230VID

2 different operating modes.

### PTC external temperature sensor (double insulation)

- Length: 3 m (9.8 ft).
- Several types of hardware (on DIN rail, on Spacial SF profile, on VDI cross-rail, on mounting plate).
- Sensor operation or reading range: -30 °C...+80 °C.
- Protection rating: IP67.

**Catalog number**  
NSYCCAST



Temperature sensor

#### Thermostat installation tips:

Install the thermostat at the top of the enclosure (the hottest place).  
See the various operating modes of each thermostat to choose the one that best meets your needs.

#### Humidistat installation tips:

Install the humidistat at the bottom of the enclosure.  
60% RH is the optimum value in the enclosure.

# Thermal control

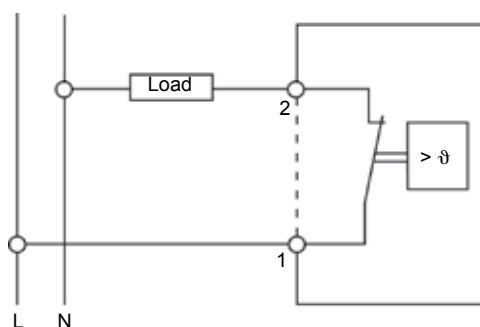
## Thermostat with NC contact



- Thermostat with NC contact to control the stopping of a resistance heater when the temperature exceeds the displayed value.
- This lengthens the service life of the resistance heaters since they are used less frequently.
- Protection rating: IP20.
- PC plastic material, self-extinguishing according to standard UL94 V0.
- Temperature adjustment range: 0...+60 °C.
- Connection: four 2.5-mm<sup>2</sup> (0.1 in<sup>2</sup>) terminals.
- Multiple mounting systems.
- UL certification.

Display	Max. command intensity	Catalog number
°C	10 A 250 V	<b>NSYCCOTHC</b>
°F	10 A 250 V	<b>NSYCCOTHCF</b>

Technical characteristics	
<b>Sensor element</b>	Bimetal
<b>Contact</b>	NC, forced rupture
<b>Contact resistance</b>	< 10 m Ω
<b>Service life</b>	> 100000 cycles
<b>Switching capacity</b>	250 V AC; 10 A (resistive load) 120 V AC; 15 A (resistive load) 250 V AC/120 V AC 2 A (inductive load cos φ = 0.6) 30 W DC
<b>Connection</b>	Four 2.5-mm <sup>2</sup> (0.1 in <sup>2</sup> ) terminals
<b>Mounting</b>	By clip on 35-mm (1.4 in.) DIN rail
<b>Enclosure</b>	UL94 V0 plastic, light gray
<b>Dimensions</b>	60 × 33 × 43 mm (2.4 × 1.3 × 1.7 in.)
<b>Weight</b>	40 g (1.4 oz)
<b>Mounting position</b>	Any
<b>Operating temperature</b>	-20...+80 °C (-4...+176 °F)
<b>Protection rating</b>	IP20
<b>Hysteresis</b>	7 °K
<b>Temperature setting range</b>	0...+60 °C



Load = resistance

# Thermal control

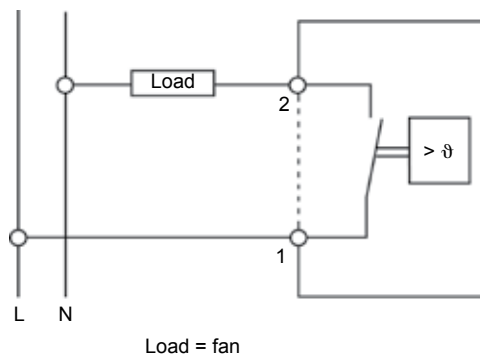
## Thermostat with NO contact



- Thermostat with NO contact to control the starting of a fan when the temperature exceeds the displayed maximum value.
- It can control the temperature inside the enclosure by only starting the fan when necessary, thus increasing the service life of the fan and reducing the clogging of the filter.
- Protection rating: IP20.
- PC plastic material, self-extinguishing according to standard UL94 V0.
- Temperature setting range: 0...+60 °C.
- Connection: four 2.5-mm<sup>2</sup> (0.1 in<sup>2</sup>) terminals.
- Multiple mounting systems.
- UL certification.

Display	Max. command intensity	Catalog number
°C	10 A 250 V	<b>NSYCCOTH0</b>
°F	10 A 250 V	<b>NSYCCOTH0F</b>

Technical characteristics	
<b>Sensor element</b>	Bimetal
<b>Contact</b>	NO, forced rupture
<b>Contact resistance</b>	< 10 m Ω
<b>Service life</b>	> 100000 cycles
<b>Switching capacity</b>	250 V AC; 10 A (resistive load) 120 V AC; 15 A (resistive load) 250 V AC/120 V AC 2 A (inductive load cos φ = 0.6) 30 W DC
<b>Connection</b>	Four 2.5 mm <sup>2</sup> (0.1 in <sup>2</sup> ) terminals
<b>Mounting</b>	By clip on 35-mm (1.4 in.) DIN rail
<b>Enclosure</b>	UL94 V0 plastic, light gray
<b>Dimensions</b>	60 × 33 × 43 mm (2.4 × 1.3 × 1.7 in.)
<b>Weight</b>	40 g (1.4 oz)
<b>Mounting position</b>	Any
<b>Operating temperature</b>	-20...+80 °C (-4...+176 °F)
<b>Protection rating</b>	IP20
<b>Hysteresis</b>	7 °K
<b>Temperature adjustment</b>	0...+60 °C



# Thermal control

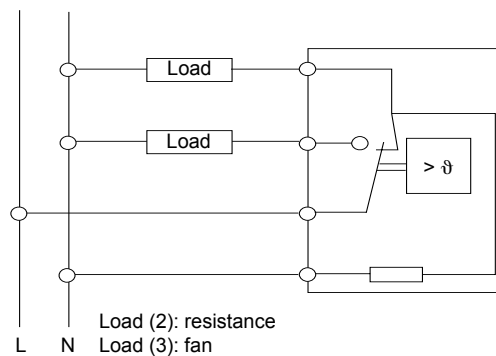
## Thermostat with NO/NC contact



- Thermostat (contact adapted to control fans, resistance heaters, ventilation drawers, heat exchangers, etc).
- Signals and controls the temperature inside the enclosure.
- Mounting on a DIN rail.
- Protection rating: IP20.
- PC plastic material, self-extinguishing according to standard UL94 V0.
- Temperature setting range: 0...+60 °C.
- Connection: four 2.5-mm<sup>2</sup> terminals.

Display	Max. command intensity	Catalog number
°C	(NO) 5 A (NC) 10 A	<b>NSYCCOTHI</b>
°F		<b>NSYCCOTHIF</b>

Technical characteristics	
<b>Sensor element</b>	Bimetal
<b>Contact</b>	Inverse, forced rupture
<b>Contact resistance</b>	< 10 m Ω
<b>Service life</b>	> 100000 cycles
<b>Switching capacity</b>	250 V AC; 10 A (resistive load)
<b>Maximum interrupting capacity with direct current</b>	250 V AC 4 A (inductive load cos φ = 0.6) 30 W DC
<b>Connection</b>	Four 2.5-mm <sup>2</sup> (0.1 in <sup>2</sup> ) terminals
<b>Mounting</b>	By clip on 35-mm (1.4 in.) DIN rail
<b>Enclosure</b>	UL94 V0 plastic, light gray
<b>Dimensions</b>	67 × 50 × 44 mm (2.6 × 2.0 × 1.7 in.)
<b>Weight</b>	100 g (3.5 oz)
<b>Mounting position</b>	Any
<b>Operating temperature</b>	-20...+80 °C (-4...+176 °F)
<b>Protection rating</b>	IP20
<b>Hysteresis</b>	7 °K
<b>Temperature setting range</b>	+5...+60 °C



# Thermal control

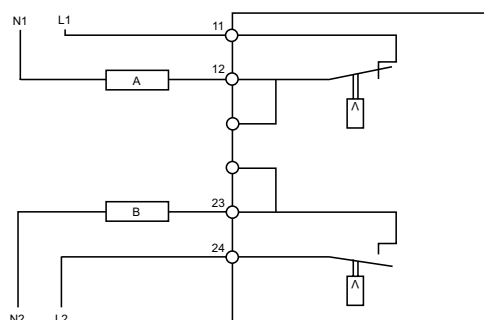
## Double thermostat



- Double thermostat: two thermostats in a single device with separate adjustment and operation.
- Red button with normally closed (NC) contact for controlling the resistance heaters.
- Blue button with normally open (NO) contact for controlling the fans, signalling systems or alarms.
- This thermostat can control the activation of a fan and a heater controlling the temperature independently.
- PC plastic material, self-extinguishing according to standard UL94 V0.
- Multiple mounting systems.
- UL certification.

Display	Max. command intensity	Catalog number
°C	(NO) 5 A (NC) 10 A	<b>NSYCCOHD</b>
°F		<b>NSYCCOHDHF</b>

Technical characteristics	
<b>Sensor element</b>	Bimetal
<b>Contact</b>	NO / NC, forced rupture
<b>Contact resistance</b>	< 10 m Ω
<b>Service life</b>	> 100000 cycles
<b>Switching capacity</b>	250 V AC; 10 A (resistive load) 120 V AC; 15 A (resistive load) 250 V AC/120 V AC 2 A (inductive load cos φ = 0.6) 30 W DC
<b>Connection</b>	Four 2.5-mm <sup>2</sup> (0.1 mm <sup>2</sup> ) terminals
<b>Mounting</b>	By clip on 35-mm (1.4 in.) DIN rail
<b>Enclosure</b>	UL94 V0 plastic, light gray
<b>Dimensions</b>	60 × 33 × 43 mm (2.4 × 1.3 × 1.7 in.)
<b>Weight</b>	40 g (1.4 oz)
<b>Mounting position</b>	Any
<b>Operating temperature</b>	-20...+80 °C (-4...+176 °F)
<b>Protection rating</b>	IP20
<b>Hysteresis</b>	7 °K
<b>Temperature setting range</b>	0...+60 °C





# Thermal control

## Electronic thermostat with LCD screen



- Electronic temperature controller.
- Input voltages: 9–30 V, 110–127 V and 220–240 V.
- Thermostats with 2 independent switching relays (ventilation / heating function).
- Thermostat precision:  $\pm 1.5$  °C.
- Option of installing external PTC sensors, cat. no. **NSYCCAST**, for remote reading (L = 3 m).
- PC plastic material, self-extinguishing according to standard UL94 V0.
- Option of displaying the temperature in degrees Celsius (°C) or Fahrenheit (°F).

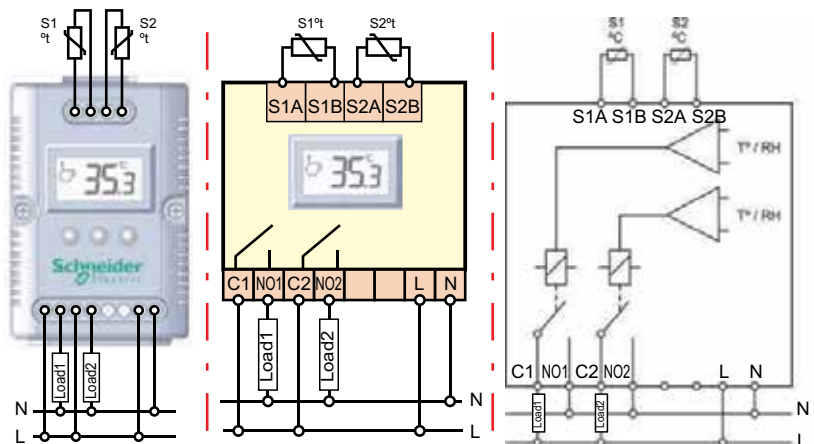
Display	Voltage	Type of current	Max. command intensity	Catalog number
°C or °F	9–30 V	AC DC	8 (5) A 230 V AC / 5 A 30 V DC	<b>NSYCCOTH30VID</b>
	110–127 V	AC		<b>NSYCCOTH120VID</b>
	220–240 V			<b>NSYCCOTH230VID</b>

Technical characteristics	
<b>Operating temperature</b>	0 °C...+50 °C
<b>Temperature setting range</b>	+5 °C...+50 °C
<b>Hysteresis</b>	Programmed 2 °K
<b>Internal sensor element</b>	Internal temperature sensor
<b>Connection</b>	2 × 2.5 mm <sup>2</sup> (0.1 in <sup>2</sup> ) [input voltage] + 2 relays [2 × 2.5 mm <sup>2</sup> (0.1 in <sup>2</sup> ) + 2 × 2.5 mm <sup>2</sup> (0.1 in <sup>2</sup> )]
<b>Contact</b>	Free with zero potential
<b>Mounting</b>	3 different methods: by DIN rail, Spacial SF profile, or on mounting plate
<b>Enclosure</b>	UL94-V0 plastic, light gray
<b>Certification</b>	UL / UR

### 7 different operating modes in the same thermostat

1	Ventilation (the addition of an external sensor inhibits the inner sensor and the reading is that of the external sensor) (activate 1st relay)
2	Heating (activate 2nd relay)
3	Ventilation / Heating (2 relays)
4	Double ventilation (2 relays)
5	Double heating (2 relays)
6	Comparison function (1 or 2 external sensors required). Compares the readings from the external sensor and the internal sensor in order to start up a fan or a heating element
7	Readings of max./min. temperature.

The thermostat automatically detects any connected sensors.



Load (1) = fan/resistance  
Load (2) = fan/resistance/alarm

# Thermal control

## Electronic hygrotherm with LCD screen



- Electronic temperature and humidity controller.
- Input voltages: 9–30 V, 110–127 V and 220–240 V.
- Hygrotherm with 2 independent switching relays (ventilation / heating function).
- Thermostat precision:  $\pm 1.5$  °C.
- Humidistat precision:  $\pm 5\%$  RH, relative humidity.
- Option of installing external PTC sensors, cat. no. **NSYCCAST**, for remote reading (L = 3 m).
- PC plastic material, self-extinguishing according to standard UL94 V0.
- Option of displaying the temperature in degrees Celsius (°C) or Fahrenheit (°F).

Display	Voltage	Type of current	Max. command intensity	Catalog number
°C or °F % RH	9–30 V	AC DC	8 (5) A 230 V AC / 5 A 30 V DC	<b>NSYCCOHYT30VID</b>
	110–127 V	AC		<b>NSYCCOHYT120VID</b>
	220–240 V			<b>NSYCCOHYT230VID</b>

Technical characteristics	
<b>Operating temperature</b>	0 °C...+50 °C
<b>Temperature setting range</b>	+5 °C...+50 °C
Humidity setting range	20%...80%
<b>RH hysteresis</b>	3%
<b>Connection</b>	2 × 2.5 mm <sup>2</sup> (0.1 in <sup>2</sup> ) [input voltage] + 2 relays [2 × 2.5 mm <sup>2</sup> (0.1 in <sup>2</sup> ) + 2 × 2.5 mm <sup>2</sup> (0.1 in <sup>2</sup> )]
<b>Contact</b>	Free with zero potential
<b>Mounting</b>	3 different methods: by DIN rail, Spacial SF profile, or on mounting plate
<b>Enclosure</b>	UL94-V0 plastic, light gray
<b>Certification</b>	UL/UR

### Operating modes

Mode 1	Relay 1	Relay 2
<b>Controlled device</b>	Fan	Resistance heater
Measured variables	Temperature	Temp. (T) and humidity (RH)
Control type	Avoid high temperatures	Avoid low temperatures

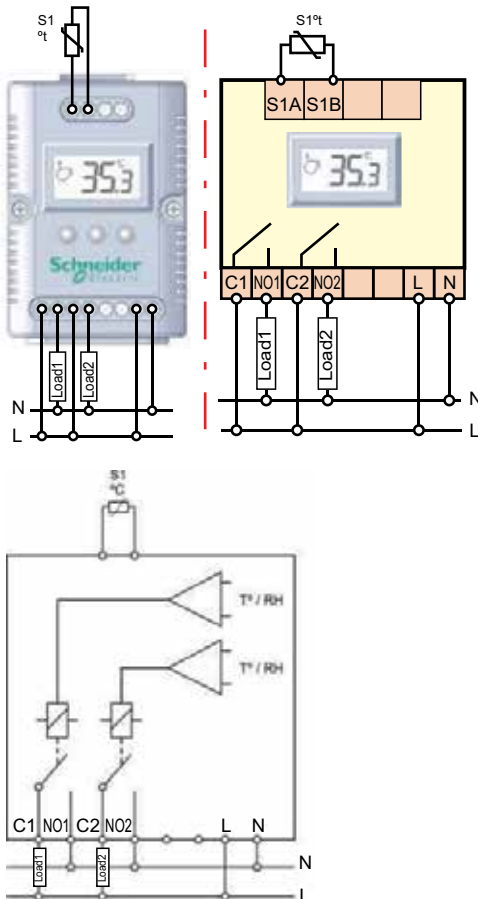
Mode 2	Relay 1	Relay 2
<b>Controlled device</b>	Resistance heater	Alarm by switching
Measured variables	Control of the dew point	Temperature and humidity
Control type	Avoid high humidity	High humidity or temperature alert

Mode 3	Relay 1	Relay 2
<b>Controlled device</b>	Fan	Resistance heater
Measured variables	External temperature - Internal temperature*	Temperature (T) and humidity (RH)
Control type	Heating by ventilation	Avoid low temperatures

\*Comparison mode in Relay 1: an external sensor is required for the comparison function (external temperature - internal temperature).

Example of Mode 3: Decides whether the external temperature is favorable and controls the ventilation (Relay 1) or heating (Relay 2).

Advantage of Mode 3: Energy efficiency. Option of efficiently heating the enclosure by ventilation (using hot external air) before bringing the resistance heater into operation. The thermostat automatically detects any connected sensors.



Load (1) = fan/resistance  
Load (2) = fan/resistance/alarm



# Thermal control

## Electronic humidistat with LCD screen



- Electronic humidity controller.
- Input voltages: 110–240 V.
- Precision: +/- 5% RH, relative humidity.
- Humidistat with 2 independent switching relays (ventilation / heating function).
- PC plastic material, self-extinguishing according to standard UL94 V0.
- 2 operating modes for RH%: relative humidity control and dew point control.

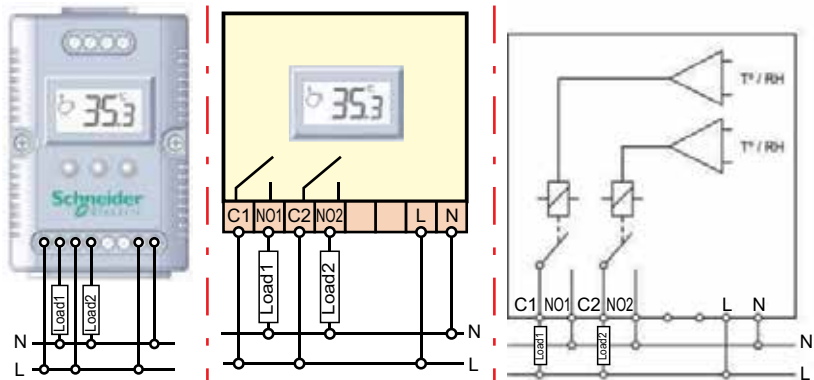
Display	Voltage	Type of current	Max. command intensity	Catalog number
% RH	110–240 V	AC	8 (5) A 230 V AC / 5 A 30 V DC	NSYCCOHHY230VID

Technical characteristics	
Humidity setting range	20%...80%
RH hysteresis	3%
Internal sensor element	Internal humidity sensor
Connection	2 × 2.5 mm <sup>2</sup> (0.1 in <sup>2</sup> ) [input voltage] + 1 relay [2 × 2.5 mm <sup>2</sup> (0.1 in <sup>2</sup> )]
Contact	Free with zero potential
Mounting	3 different methods: by DIN rail, Spacial SF profile, or on mounting plate
Enclosure	UL94-V0 plastic, light gray
Certification	UL/UR

### Operating modes

Mode 1	Relay 1	Relay 2
Controlled device	Resistance	-
Measured variables	Humidity	-
Control type	Dehumidify RH (%)	-

Mode 2	Relay 1	Relay 2
Controlled device	Resistance	Alarm by switching or resistance
Measured variables	Humidity	Humidity
Control type	Dehumidify RH (%)	High humidity warning



Load (1) = fan/resistance  
Load (2) = fan/resistance/alarm

7

# Thermal balance

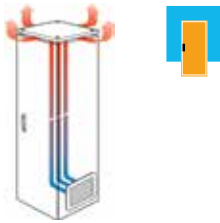
## Thermal management system

The miniaturization of components, the generalization of electronics and the appearance of new electronically-powered products have made temperature management a growing concern when designing electrical and/or electronic switchboards.

Reliability and the search for lower breakdown rates are two determining factors in process industries, where the cost per hour is extremely high. The smallest failure can instantly result in considerable losses. The service life of the components depends, among other factors, on the temperature and humidity conditions inside the enclosure.

The ideal values are +25...+35 °C for the temperature and 60% for the relative humidity (RH).

There are various solutions to these problems. They are chosen according to environmental conditions, the type of components in the electrical switchboard, and their cost. In certain cases, all it takes is to oversize the enclosures or use fans. In other cases, when the temperature is higher, it is necessary to install air-water exchangers or air coolers operating according to the principle of refrigeration (cooling units). We offer you a range of solutions that adapt to every possible scenario: from the enclosure itself to ventilation systems, resistance heaters or exchangers, and even cooling units.



### Natural dissipation through the enclosure walls

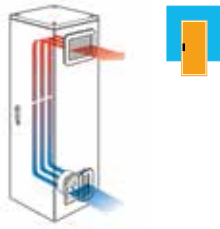
The use of a larger enclosure can, in certain cases, solve your heating problem.

### Natural ventilation

The addition of fresh air from the outside through ventilation louvers improves the dissipation of heat by natural convection. However, this solution can only be used to dissipate small power levels and in environments with a small amount of dust.

# Thermal balance

## Thermal management system



### Ventilation

#### Circulation

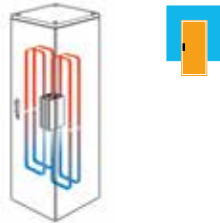
Air circulation inside the enclosure with the help of a fan helps ensure an even temperature, avoiding hot spots that can damage certain components.

#### Forced ventilation

Fans are designed to evacuate a considerable amount of heat coming from the components of the electrical switchboards. The service life of the switchboard is considerably extended, helping to ensure the long life and correct operation of the installation.

Fans can only be used if the ambient temperature is at least 5 °C lower than the desired temperature inside the enclosure.

They offer an efficient solution to the problem of temperature increases in the electrical switchboards; one that is inexpensive and easy to implement and maintain. Thanks to their standard IP54 degree of protection (IP55 with accessories) the fans are suitable for use in industrial and tertiary sectors.



### Heating

#### Resistance heaters

Resistance heaters can be used for two reasons:

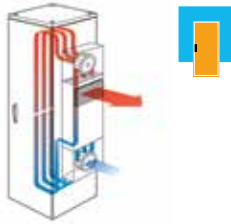
- To reheat the electrical switchboard when the ambient temperature is too low for the correct operation of the components.
- To prevent the formation of condensation.

The second phenomenon can cause short-circuits, premature oxidation of the contacts, corrosion of metal parts and the enclosure, and a considerable reduction in the service life of the electrical and electronic components.

Condensation occurs when the temperature suddenly drops below the dew point temperature. To avoid this, it is necessary to maintain the temperature inside the enclosure at a few degrees above the ambient temperature of the environment. Thanks to their design, the heaters encourage natural convection and help ensure quick and even heating within the enclosure.

# Thermal balance

## Thermal management system

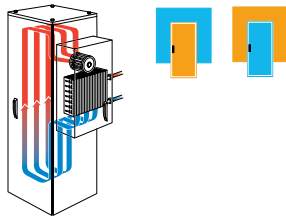


### Cooling

#### Air-air exchangers

Air-air exchangers are devices that combine efficiency and simplicity. The hot air flows out of the enclosure and cold air from the surrounding environment, created by two fans, circulates on either side of hermetic separation walls, which prevent penetration of dust or moisture into the enclosure. The hot air from the switchboard reheats these walls, which in turn are cooled by the fresh air from the outside. The transfer always takes place from the hotter side to the cooler side. This is why these devices can only be used if the ambient temperature is at least 5 °C lower than the desired temperature inside the enclosure.

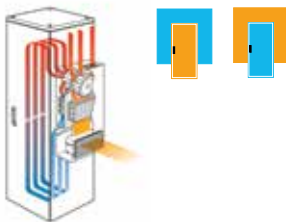
An aluminum exchange cassette forms the core of the system. This element can be removed and easily cleaned. In addition, the permanent operation of the internal fan helps prevent hot spots in the electrical switchboard. The temperature regulation system integrated in the unit turns the external circuit fan on and off.



#### Air-water exchangers

Air-water exchangers operate on the same principle as air-air exchangers. Fresh air from the outside is replaced with cold water supplied by a network installed on the industrial site. This change of fluid makes it possible to evacuate much larger amounts of heat and, possibly, to reduce the temperature in the enclosure below the temperature of the ambient air.

Temperature control in the enclosure is carried out by modulating the water flow. The water circuit is protected by a shut-off device to help protect your electrical installation.



#### Cooling units

Cooling units can be used in the harshest environments, where the temperature can reach 55 °C. These devices are especially recommended when the desired temperature inside the enclosure must be lower than the ambient temperature, or when a large amount of heat must be evacuated. As in the case of the exchangers, they do not affect the IP of the switchboard.

The filter, placed at the inlet of the external air circuit, allows the cooling unit to operate even when the ambient air is charged with dust or oil particles. Easily replaceable and quite inexpensive, the filter helps ensure the efficiency of the cooling unit throughout its service life. The cooling units control the temperature inside the enclosure and include an alarm function for signalling operational anomalies.



The ambient temperature is lower than the desired temperature inside the enclosure.



The ambient temperature is higher than the desired temperature inside the enclosure.

The ProClima calculation software, available on our website, is an indispensable tool for the selection of a thermal auxiliary.

### Method of determining the thermal solution

The heat balance, obtained by comparing the power released by the devices with the power exchanged spontaneously through the wall of the enclosure, allows us to calculate the internal temperature in the enclosure, with no thermal accessories, and thus to determine whether it is necessary to install any, bearing in mind the desired internal and external temperatures. Below is a simple method for determining the thermal solution.

#### 1 Characteristics of the enclosure

H = Height	W = Width	D = Depth
Position of the enclosure	Location according to IEC 890 ratio	Formula for calculating S (m <sup>2</sup> )
	Accessible from every side	$S = 1.8 \times H \times (W + D) + 1.4 \times W \times D$
	Placed against a wall	$S = 1.4 \times W \times (H + D) + 1.8 \times D \times H$
	On the end when joined	$S = 1.4 \times D \times (H + W) + 1.8 \times W \times H$
	On the end when joined, placed against a wall	$S = 1.4 \times H \times (W + D) + 1.4 \times W \times D$
	In the middle when joined	$S = 1.8 \times W \times H + 1.4 \times W \times D + D \times H$
	In the middle when joined, placed against a wall	$S = 1.4 \times W \times (H + D) + D \times H$
	In the middle when joined, placed against a wall with the top covered	$S = 1.4 \times W \times H + 0.7 \times W \times D + D \times H$
		<b>S =                    m<sup>2</sup></b>

**Example**  
 Spacial cat. no. **NSYSF20840**  
 H = 2000 mm (78.7 in.)  
 W = 800 mm (31.5 in.)  
 D = 400 mm (15.7 in.)  
 Installation method:  
 Modular enclosure placed against a wall.

**S = 4.13 m<sup>2</sup>**

#### 2 Thermal power dissipated by the operational components

Calculated as the sum of the power dissipated by each of the installed components.  
 If these are not known, use the ProClima software and refer to page **7/65**, which shows the average values.

**Pd = W**

Assume that the switchgear dissipates 800 W

**Pd = 800 W**

#### 3 Characteristics of the environment air

Maximum ambient temperature  
 Minimum ambient temperature  
 Average relative humidity  
 Dew point temperature. Calculation of resistance heater power.

**Te max = °C**  
**Te min = °C**  
**RH = %**  
**Tr = °C**

The temperature conditions are as follows:

**Te max = 35 °C**  
**Te min = 15 °C**  
**RH = 70%**  
**Tr = 29 °C**



#### 4 Average desired internal temperatures

They are defined by the nature of the components and the characteristics of the environment air.  
 Maximum internal temperature  
 Minimum internal temperature (maximum value between the dew point temperature and the minimum operating temperature of the devices)

**Ts max = °C**  
**Ts min = °C**

**Ts max = 40 °C**  
**Ts min = 29 °C**

#### 5 Final temperature inside the enclosure with no thermal system

Max. internal temperature:  $Ti \text{ max} = \frac{Pd}{K \times S} + Te \text{ max}$   
 Min. internal temperature:  $Ti \text{ min} = \frac{Pd}{K \times S} + Te \text{ min}$

K = 5.5 W/m<sup>2</sup>/°C for an enclosure made of painted sheet steel  
 K = 3.5 W/m<sup>2</sup>/°C for a polyester enclosure  
 K = 3.7 W/m<sup>2</sup>/°C for a stainless-steel enclosure  
 K = 12 W/m<sup>2</sup>/°C for an aluminum enclosure

**Ti max = °C**  
**Ti min = °C**

**Ti max = 70 °C**  
**Ti min = 50 °C**

# Thermal balance

## Thermal management system

### 6 Determining the type of thermal device and its power: Psyst

If Ts min < Ti min	If Ts min > Ti min	If Ts max < Ti max	If Ts max > Ti max
No need for a thermal system; a circulation fan may be used to even out the temperature.	Need for a thermal system: resistance heater 1. Permanent operation of the switchboard <b>Psyst = K × S (Ts<sub>min</sub> - Te<sub>min</sub>) - Pd</b> 2. Discontinuous operation <b>Psyst = K × S (Ts<sub>min</sub> - Te<sub>min</sub>)</b>	Need for a thermal system: ventilation, fan, exchanger, cooling unit. <b>Psyst = Pd - K × S (Ts<sub>max</sub> - Te<sub>max</sub>)</b> <b>Psyst = 800 - 5.5 × 4.13 × (40 - 35)</b> <b>~ 690 W</b>	No need for a thermal system; a circulation fan may be used to even out the temperature.

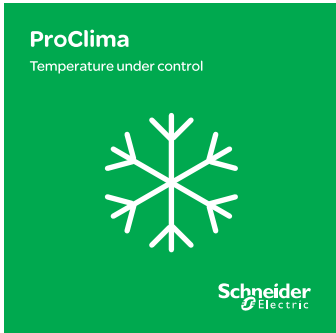
CIRCULATING	Temperature conditions	Solution	Advantages	Constraints
COOLING	Avoid hot spots.	Install circulation fans in the enclosure.	Highly economical solution requiring no maintenance, easy to install; Installation IP maintained.	The amount of heat evacuated is relatively low.
	Final temperature Ts max desired in the enclosure is at least 5 °C higher than the ambient temperature	Install ventilation louvers.	Economical solution requiring no maintenance, easy to install; Installation IP maintained.	The amount of heat evacuated is relatively low, larger dimensions.
COOLING	Te max. <b>Ts max ≥ Te max + 5 °C</b>	Install fans for introducing fresh air. $D = \frac{Psyst}{(Ts\ max - Te\ max)} \times 3.1\ m^3/h$	Economical solution, easy to install; large amount of heat evacuated; possible temperature control.	Regular filter maintenance. IP slightly reduced.
		Use an air-air exchanger. $q = \frac{Psyst}{(Ts\ max - Te\ max)}\ wk$	Easy to install; IP maintained during installation; temperature control as standard; easy maintenance.	Regular filter maintenance.
	Final temperature Ts max desired in the enclosure is lower than the ambient temperature Te max +5 °C.	Use a cooling unit.	Easy to install; allows the evacuation of large amounts of heat, even when the ambient temperature is high, IP maintained during installation, temperature control.	Regular filter maintenance, cannot be used beyond an ambient temperature of 55 °C.
	<b>Ts max ≥ Te max +5 °C</b>	Use an air-water exchanger.	Easy to install; allows the evacuation of large amounts of heat, even when the ambient temperature is high, IP maintained during installation, temperature control, no filter to maintain.	Needs a water circuit; consumption if supplied by the water mains.
HEATING	Outside temperature is lower than the lowest acceptable ambient temperature for the switchgear.	Heat using a resistance heater.	Economical, reliable.	Energy consumption; space taken up in the enclosure.
	Risk of condensation.	Heat using a resistance heater in order to maintain the temperature beyond the dew point temperature.	Economical, reliable; the humidity in the switchgear can be regulated.	Energy consumption; space taken up in the enclosure.





# Software

## ProClima



### New ProClima software

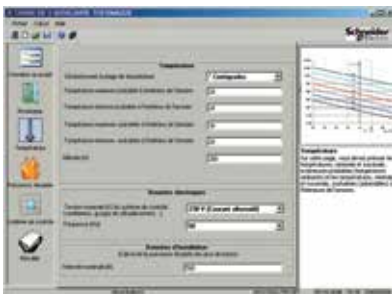
- Software package for calculating and selecting the thermal accessories required for enclosures containing electrical and electronic equipment.
- Performs the calculations described on pages 7/60 and 7/61, as well as the corrected surfaces, according to the dimensions of the enclosure and its position in relation to the walls.
- Available for download from our website.

### Data entry

Follow these steps for the calculation:



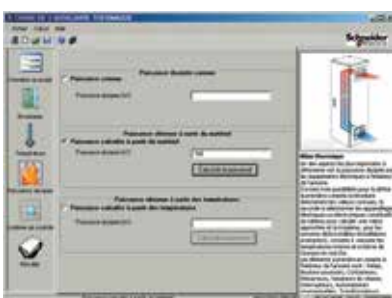
- 1 Enter the project and customer data (optional).



- 2 Enter the internal and external temperature data for the enclosure (required).



- 3 Enter the electrical data for the installation (voltage, rating, etc.) (required).



- 4 Determine the power dissipated by the electrical equipment inside the enclosure (required).  
If this value is not known, the software can calculate it:
  - Based on the electrical or electronic switchgear that make up the switchboard (type and number),
  - Based on a temperature reading.

7

## Results

The software offers to print the project summary containing the calculation values, the results obtained and the thermal accessories recommended for maintaining the internal temperature of the enclosure in the specified conditions. In addition, the summary specifies the power, characteristics and catalog number of the device, as well as any related accessories.

**5** Select the enclosure and the installation method (required).



**6** Select the thermal management system (fans, exchangers, etc.) (required).



**7** View and print the project summary.



# Example of calculation and selection

<b>Data</b>	
<ul style="list-style-type: none"> <li>• <b>Enclosure data</b>                      Height: 2000 mm (78.7 in.)                      Width: 800 mm (31.5 in.)                      Depth: 500 mm (19.7 in.)</li> </ul>	
<ul style="list-style-type: none"> <li>• <b>Location:</b> Placed on the wall</li> </ul>	
<ul style="list-style-type: none"> <li>• <b>Material:</b> Painted sheet-steel enclosure</li> </ul>	
<ul style="list-style-type: none"> <li>• <b>Thermal power dissipated by the operational components</b>                      Pd: 950 W</li> </ul>	
<ul style="list-style-type: none"> <li>• <b>Information on temperature and the environment:</b>                      Maximum desired temperature inside the enclosure <math>T_{e_{max}}</math> : 25 °C                      Minimum desired temperature inside the enclosure <math>T_{e_{min}}</math> : 25 °C                      Maximum temperature dissipated in the enclosure <math>T_{e_{max}}</math> : 35 °C                      Minimum temperature dissipated in the enclosure <math>T_{e_{min}}</math> : 25 °C</li> </ul>	
<b>Environment:</b> Low pollution and low dust level	

**Selection and calculation:**

The desired maximum temperature inside ( $T_{s_{max}}$ ) the enclosure is 10 °C higher than the maximum value expected for the outside ( $T_{i_{max}}$ ). It is possible to cool the enclosure using the filtered ventilation systems.

**Calculation of the required fan:**

Usage formulas: $P_{sis} = P_d - k \times S \times (T_{s_{max}} - T_{e_{max}})$ $Flow = f \times P_{sis} / (T_{d_{max}} - T_{e_{max}})$
<b>Pd: Thermal power dissipated by the operational components</b> $S = 1.4 \times W \times (H + D) + 1.8 \times D \times H = 4.6 \text{ m}^2$ . According to standard IEC 890. <b>K = Constant defined by the material used to manufacture the enclosure</b> K = 5.5 W/m <sup>2</sup> × °C for a solid sheet-steel enclosure K = 3.5 W/m <sup>2</sup> × °C for a polyester enclosure K = 3.7 W/m <sup>2</sup> × °C for a stainless-steel enclosure

In order to make the calculation, it is necessary to know the height above sea level of the installation location:

Height above sea level: 800 m (2624.7 ft)

**f = Coefficient relating to the height above sea level (value)**

0 to 100 m (0 to 328.1 ft), f = 3.1	500 to 750 m (1640.4 to 2460.6 ft), f = 3.4
100 to 250 m (328.1 to 820.2 ft), f = 3.2	750 to 1000 m (2460.6 to 3280.8 ft), f = 3.5
250 to 500 m (820.2 to 1640.4 ft), f = 3.3	.....

**Our example:**

$P_{sis} = 950 - 5.5 \times 4.6 \times (35 - 25) = 497 \text{ W}$   
 Flow rate =  $3.5 \times 497 / (35 - 25) = 244 \text{ m}^3/\text{h}$

Selection from the fan quick-selection table  
**1 fan with standard filter cat. no. NSYCVF300M230PF + 1 grille with standard filter cat. no. NSYCAG223LPF + 1 thermostat cat. no. NSYCCOTH0 enable a flow rate of 302 m<sup>3</sup>/h**

The minimum outside temperature is lower than the desired minimum temperature inside the enclosure.

It is necessary to install resistance heaters:

**Calculation of the useful resistance heater**

Usage formula $W = k \times S \times (T_{s_{min}} - T_{e_{min}})$
--

**Our example:**

$W = 5.5 \times 4.6 (15 - 10) = 127 \text{ W}$

Selection from the selection guide of the resistance heaters.

**1 resistance heater cat. no. NSYCR150WU2C + 1 thermostat cat. no. NSYCCOTHC**



# Help table to calculate corrected surfaces

## Spacial wall-mounting enclosures

Installation mode									
H: mm (in.)	W: mm (in.)	D: mm (in.)	1	2	3	4	5	6	7
			m <sup>2</sup> (ft <sup>2</sup> )	m <sup>2</sup> (ft <sup>2</sup> )	m <sup>2</sup> (ft <sup>2</sup> )	m <sup>2</sup> (ft <sup>2</sup> )	m <sup>2</sup> (ft <sup>2</sup> )	m <sup>2</sup> (ft <sup>2</sup> )	m <sup>2</sup> (ft <sup>2</sup> )
300 (11.8)	200 (7.9)	150 (5.9)	0.23 (0.8)	0.21 (0.7)	0.21 (0.7)	0.19 (0.6)	0.20 (0.7)	0.17 (0.6)	0.15 (0.5)
300 (11.8)	250 (9.8)	150 (5.9)	0.28 (0.9)	0.24 (0.8)	0.25 (0.8)	0.22 (0.7)	0.23 (0.8)	0.20 (0.7)	0.18 (0.6)
300 (11.8)	300 (11.8)	150 (5.9)	0.31 (1.0)	0.27 (0.9)	0.29 (1.0)	0.25 (0.8)	0.27 (0.9)	0.23 (0.8)	0.20 (0.7)
300 (11.8)	300 (11.8)	200 (7.9)	0.35 (1.1)	0.32 (1.0)	0.33 (1.1)	0.29 (1.0)	0.31 (1.0)	0.27 (0.9)	0.23 (0.8)
300 (11.8)	400 (15.7)	150 (5.9)	0.38 (1.2)	0.33 (1.1)	0.36 (1.2)	0.32 (1.0)	0.35 (1.1)	0.30 (1.0)	0.26 (0.9)
300 (11.8)	400 (15.7)	200 (7.9)	0.41 (1.3)	0.39 (1.3)	0.41 (1.3)	0.36 (1.2)	0.39 (1.3)	0.34 (1.1)	0.28 (0.9)
400 (15.7)	300 (11.8)	150 (5.9)	0.39 (1.3)	0.34 (1.1)	0.36 (1.2)	0.32 (1.0)	0.34 (1.1)	0.29 (1.0)	0.26 (0.9)
400 (15.7)	300 (11.8)	200 (7.9)	0.44 (1.4)	0.40 (1.3)	0.41 (1.3)	0.36 (1.2)	0.38 (1.2)	0.33 (1.1)	0.29 (1.0)
400 (15.7)	400 (15.7)	200 (7.9)	0.54 (1.8)	0.48 (1.6)	0.51 (1.7)	0.45 (1.5)	0.48 (1.6)	0.42 (1.4)	0.36 (1.2)
400 (15.7)	600 (23.6)	200 (7.9)	0.74 (2.4)	0.65 (2.1)	0.71 (2.3)	0.62 (2.0)	0.68 (2.2)	0.58 (1.9)	0.50 (1.6)
400 (15.7)	600 (23.6)	250 (9.8)	0.82 (2.7)	0.73 (2.4)	0.78 (2.6)	0.69 (2.3)	0.74 (2.4)	0.65 (2.1)	0.54 (1.8)
500 (19.7)	300 (11.8)	200 (7.9)	0.53 (1.7)	0.47 (1.5)	0.49 (1.6)	0.43 (1.4)	0.45 (1.5)	0.39 (1.3)	0.35 (1.1)
500 (19.7)	400 (15.7)	200 (7.9)	0.65 (2.1)	0.57 (1.9)	0.61 (2.0)	0.53 (1.7)	0.57 (1.9)	0.49 (1.6)	0.44 (1.4)
500 (19.7)	400 (15.7)	250 (9.8)	0.73 (2.4)	0.65 (2.1)	0.68 (2.2)	0.60 (2.0)	0.63 (2.1)	0.55 (1.8)	0.48 (1.6)
500 (19.7)	500 (19.7)	200 (7.9)	0.77 (2.5)	0.67 (2.2)	0.73 (2.4)	0.63 (2.1)	0.69 (2.3)	0.59 (1.9)	0.52 (1.7)
500 (19.7)	500 (19.7)	250 (9.8)	0.85 (2.8)	0.75 (2.5)	0.80 (2.6)	0.70 (2.3)	0.75 (2.5)	0.65 (2.1)	0.56 (1.8)
600 (23.6)	400 (15.7)	200 (7.9)	0.76 (2.5)	0.66 (2.2)	0.71 (2.3)	0.62 (2.0)	0.66 (2.2)	0.57 (1.9)	0.51 (1.7)
600 (23.6)	400 (15.7)	250 (9.8)	0.84 (2.8)	0.75 (2.5)	0.78 (2.6)	0.69 (2.3)	0.72 (2.4)	0.63 (2.1)	0.56 (1.8)
600 (23.6)	500 (19.7)	250 (9.8)	1.02 (3.3)	0.87 (2.9)	0.93 (3.1)	0.81 (2.7)	0.87 (2.9)	0.75 (2.5)	0.66 (2.2)
600 (23.6)	600 (23.6)	200 (7.9)	1.03 (3.4)	0.89 (2.9)	0.98 (3.2)	0.84 (2.8)	0.94 (3.1)	0.79 (2.6)	0.71 (2.3)
600 (23.6)	600 (23.6)	250 (9.8)	1.13 (3.7)	0.98 (3.2)	1.07 (3.5)	0.92 (3.0)	1.01 (3.3)	0.86 (2.8)	0.76 (2.5)
600 (23.6)	600 (23.6)	300 (11.8)	1.22 (4.0)	1.08 (3.5)	1.15 (3.8)	1.01 (3.3)	1.08 (3.5)	0.94 (3.1)	0.81 (2.7)
600 (23.6)	600 (23.6)	400 (15.7)	1.42 (4.7)	1.27 (4.2)	1.32 (4.3)	1.18 (3.9)	1.22 (4.0)	1.08 (3.5)	0.91 (3.0)
600 (23.6)	800 (31.5)	300 (11.8)	1.52 (5.0)	1.33 (4.4)	1.45 (4.8)	1.26 (4.1)	1.38 (4.5)	1.19 (3.9)	1.02 (3.3)
700 (27.6)	500 (19.7)	250 (9.8)	1.12 (3.7)	0.98 (3.2)	1.05 (3.4)	0.91 (3.0)	0.98 (3.2)	0.84 (2.8)	0.75 (2.5)
800 (31.5)	600 (23.6)	200 (7.9)	1.32 (4.3)	1.13 (3.7)	1.26 (4.1)	1.06 (3.5)	1.19 (3.9)	1.00 (3.3)	0.92 (3.0)
800 (31.5)	600 (23.6)	250 (9.8)	1.43 (4.7)	1.24 (4.1)	1.35 (4.4)	1.16 (3.8)	1.27 (4.2)	1.08 (3.5)	0.98 (3.2)
800 (31.5)	600 (23.6)	300 (11.8)	1.55 (5.1)	1.36 (4.5)	1.45 (4.8)	1.26 (4.1)	1.36 (4.5)	1.16 (3.8)	1.04 (3.4)
800 (31.5)	600 (23.6)	400 (15.7)	1.78 (5.8)	1.58 (5.2)	1.65 (5.4)	1.46 (4.8)	1.52 (5.0)	1.33 (4.4)	1.16 (3.8)
800 (31.5)	800 (31.5)	250 (9.8)	1.79 (5.9)	1.54 (5.1)	1.71 (5.6)	1.46 (4.8)	1.63 (5.3)	1.38 (4.5)	1.24 (4.1)
800 (31.5)	800 (31.5)	300 (11.8)	1.92 (6.3)	1.66 (5.4)	1.82 (6.0)	1.57 (5.2)	1.73 (5.7)	1.47 (4.8)	1.30 (4.3)
800 (31.5)	1000 (39.4)	300 (11.8)	2.29 (7.5)	1.97 (6.5)	2.20 (7.2)	1.88 (6.2)	2.10 (6.9)	1.78 (5.8)	1.57 (5.2)
800 (31.5)	1200 (47.2)	300 (11.8)	2.50 (8.2)	2.28 (7.5)	2.57 (8.4)	2.18 (7.2)	2.47 (8.1)	2.09 (6.9)	1.84 (6.0)
1000 (39.4)	600 (23.6)	250 (9.8)	1.74 (5.7)	1.50 (4.9)	1.64 (5.4)	1.40 (4.6)	1.54 (5.1)	1.30 (4.3)	1.19 (3.9)
1000 (39.4)	600 (23.6)	300 (11.8)	2.04 (6.7)	1.63 (5.3)	1.75 (5.7)	1.51 (5.0)	1.63 (5.3)	1.39 (4.6)	1.27 (4.2)
1000 (39.4)	600 (23.6)	400 (15.7)	2.14 (7.0)	1.90 (6.2)	1.98 (6.5)	1.74 (5.7)	1.82 (6.0)	1.58 (5.2)	1.41 (4.6)
1000 (39.4)	800 (31.5)	250 (9.8)	2.17 (7.1)	1.85 (6.1)	2.07 (6.8)	1.75 (5.7)	1.97 (6.5)	1.65 (5.4)	1.51 (5.0)
1000 (39.4)	800 (31.5)	300 (11.8)	2.32 (7.6)	2.00 (6.6)	2.20 (7.2)	1.88 (6.2)	2.08 (6.8)	1.76 (5.8)	1.59 (5.2)
1000 (39.4)	800 (31.5)	400 (15.7)	2.61 (8.6)	2.29 (7.5)	2.45 (8.0)	2.13 (7.0)	2.29 (7.5)	1.97 (6.5)	1.74 (5.7)
1000 (39.4)	1000 (39.4)	300 (11.8)	2.76 (9.1)	2.36 (7.7)	2.64 (8.7)	2.24 (7.3)	2.52 (8.3)	2.12 (7.0)	1.91 (6.3)
1000 (39.4)	1200 (47.2)	300 (11.8)	3.20 (10.5)	2.72 (8.9)	3.08 (10.1)	2.60 (8.5)	2.96 (9.7)	2.48 (8.1)	2.23 (7.3)
1000 (39.4)	1200 (47.2)	400 (15.7)	3.44 (11.3)	3.07 (10.1)	3.39 (11.1)	2.91 (9.5)	3.23 (10.6)	2.75 (9.0)	2.42 (7.9)
1200 (47.2)	600 (23.6)	300 (11.8)	2.45 (8.0)	1.91 (6.3)	2.05 (6.7)	1.76 (5.8)	1.91 (6.3)	1.62 (5.3)	1.49 (4.9)
1200 (47.2)	600 (23.6)	400 (15.7)	2.83 (9.3)	2.21 (7.3)	2.30 (7.5)	2.02 (6.6)	2.11 (6.9)	1.82 (6.0)	1.66 (5.4)
1200 (47.2)	800 (31.5)	300 (11.8)	2.71 (8.9)	2.33 (7.6)	2.57 (8.4)	2.18 (7.2)	2.42 (7.9)	2.04 (6.7)	1.87 (6.1)
1200 (47.2)	800 (31.5)	400 (15.7)	3.04 (10.0)	2.66 (8.7)	2.85 (9.4)	2.46 (8.1)	2.66 (8.7)	2.27 (7.4)	2.05 (6.7)
1200 (47.2)	1000 (39.4)	300 (11.8)	3.23 (10.6)	2.75 (9.0)	3.08 (10.1)	2.60 (8.5)	2.94 (9.6)	2.46 (8.1)	2.25 (7.4)
1200 (47.2)	1000 (39.4)	400 (15.7)	3.70 (12.1)	3.10 (10.2)	3.39 (11.1)	2.91 (9.5)	3.20 (10.5)	2.72 (8.9)	2.44 (8.0)
1200 (47.2)	1200 (47.2)	300 (11.8)	3.74 (12.3)	3.17 (10.4)	3.60 (11.8)	3.02 (9.9)	3.46 (11.4)	2.88 (9.4)	2.63 (8.6)
1400 (55.1)	1000 (39.4)	300 (11.8)	3.86 (12.7)	3.14 (10.3)	3.53 (11.6)	2.97 (9.7)	3.36 (11.0)	2.80 (9.2)	2.59 (8.5)

Installation mode

- 1 Accessible from every side
- 2 Placed against a wall
- 3 On the end when joined
- 4 On the end when joined, placed against a wall
- 5 In the middle when joined
- 6 In the middle when joined, placed against a wall
- 7 In the middle when joined, placed against a wall, closed covered top










Use ProClima to save time and find the best solution!










# Help table to calculate corrected surfaces

## Thalassa wall-mounting enclosures

H: mm (in.)	W: mm (in.)	D: mm (in.)	Installation mode						
			1  m² (ft²)	2  m² (ft²)	3  m² (ft²)	4  m² (ft²)	5  m² (ft²)	6  m² (ft²)	7  m² (ft²)
310 (12.2)	215 (8.5)	160 (6.3)	0.26 (0.9)	0.23 (0.8)	0.24 (0.8)	0.21 (0.7)	0.22 (0.7)	0.19 (0.6)	0.17 (0.6)
307 (12.1)	255 (10.0)	164 (6.5)	0.29 (1.0)	0.26 (0.9)	0.27 (0.9)	0.24 (0.8)	0.25 (0.8)	0.22 (0.7)	0.19 (0.6)
430 (16.9)	330 (13.0)	200 (7.9)	0.50 (1.6)	0.45 (1.5)	0.47 (1.5)	0.41 (1.3)	0.43 (1.4)	0.38 (1.2)	0.33 (1.1)
530 (20.9)	430 (16.9)	200 (7.9)	0.72 (2.4)	0.63 (2.1)	0.68 (2.2)	0.59 (1.9)	0.64 (2.1)	0.55 (1.8)	0.49 (1.6)
645 (25.4)	435 (17.1)	250 (9.8)	0.95 (3.1)	0.84 (2.8)	0.88 (2.9)	0.77 (2.5)	0.82 (2.7)	0.71 (2.3)	0.63 (2.1)
745 (29.3)	535 (21.1)	300 (11.8)	1.34 (4.4)	1.19 (3.9)	1.26 (4.1)	1.10 (3.6)	1.17 (3.8)	1.01 (3.3)	0.89 (2.9)
845 (33.3)	635 (25.0)	300 (11.8)	1.69 (5.5)	1.47 (4.8)	1.59 (5.2)	1.37 (4.5)	1.49 (4.9)	1.27 (4.2)	1.14 (3.7)
1055 (41.5)	850 (33.5)	350 (13.8)	2.70 (8.9)	2.34 (7.7)	2.55 (8.4)	2.19 (7.2)	2.40 (7.9)	2.04 (6.7)	1.83 (6.0)

## Thalassa floor-standing enclosures

H: mm (in.)	W: mm (in.)	D: mm (in.)	Installation mode						
			1  m² (ft²)	2  m² (ft²)	3  m² (ft²)	4  m² (ft²)	5  m² (ft²)	6  m² (ft²)	7  m² (ft²)
500 (19.7)	500 (19.7)	320 (12.6)	0.96 (3.1)	0.86 (2.8)	0.90 (3.0)	0.80 (2.6)	0.83 (2.7)	0.73 (2.4)	0.62 (2.0)
500 (19.7)	750 (29.5)	320 (12.6)	1.30 (4.3)	1.15 (3.8)	1.24 (4.1)	1.09 (3.6)	1.17 (3.8)	1.02 (3.3)	0.85 (2.8)
500 (19.7)	1000 (39.4)	320 (12.6)	1.64 (5.4)	1.44 (4.7)	1.57 (5.2)	1.37 (4.5)	1.51 (5.0)	1.31 (4.3)	1.08 (3.5)
500 (19.7)	1250 (49.2)	320 (12.6)	1.97 (6.5)	1.72 (5.6)	1.91 (6.3)	1.66 (5.4)	1.85 (6.1)	1.60 (5.2)	1.32 (4.3)
750 (29.5)	500 (19.7)	320 (12.6)	1.33 (4.4)	1.18 (3.9)	1.24 (4.1)	1.09 (3.6)	1.14 (3.7)	0.99 (3.2)	0.88 (2.9)
750 (29.5)	750 (29.5)	320 (12.6)	1.78 (5.8)	1.56 (5.1)	1.68 (5.5)	1.46 (4.8)	1.59 (5.2)	1.36 (4.5)	1.20 (3.9)
750 (29.5)	1000 (39.4)	320 (12.6)	2.23 (7.3)	1.93 (6.3)	2.13 (7.0)	1.83 (6.0)	2.04 (6.7)	1.74 (5.7)	1.51 (5.0)
750 (29.5)	1250 (49.2)	320 (12.6)	2.68 (8.8)	2.30 (7.5)	2.58 (8.5)	2.21 (7.3)	2.49 (8.2)	2.11 (6.9)	1.83 (6.0)
1000 (39.4)	500 (19.7)	320 (12.6)	1.70 (5.6)	1.50 (4.9)	1.57 (5.2)	1.37 (4.5)	1.44 (4.7)	1.24 (4.1)	1.13 (3.7)
1000 (39.4)	750 (29.5)	320 (12.6)	2.26 (7.4)	1.96 (6.4)	2.13 (7.0)	1.83 (6.0)	2.01 (6.6)	1.71 (5.6)	1.54 (5.1)
1000 (39.4)	1000 (39.4)	320 (12.6)	2.82 (9.3)	2.42 (7.9)	2.70 (8.9)	2.30 (7.5)	2.57 (8.4)	2.17 (7.1)	1.94 (6.4)
1000 (39.4)	1250 (49.2)	320 (12.6)	3.39 (11.1)	2.89 (9.5)	3.26 (10.7)	2.76 (9.1)	3.13 (10.3)	2.63 (8.6)	2.35 (7.7)
1250 (49.2)	500 (19.7)	320 (12.6)	2.07 (6.8)	1.82 (6.0)	1.91 (6.3)	1.66 (5.4)	1.75 (5.7)	1.50 (4.9)	1.39 (4.6)
1250 (49.2)	750 (29.5)	320 (12.6)	2.74 (9.0)	2.37 (7.8)	2.58 (8.5)	2.21 (7.3)	2.42 (7.9)	2.05 (6.7)	1.88 (6.2)
1250 (49.2)	1000 (39.4)	320 (12.6)	3.42 (11.2)	2.92 (9.6)	3.26 (10.7)	2.76 (9.1)	3.10 (10.2)	2.60 (8.5)	2.37 (7.8)
1250 (49.2)	1250 (49.2)	320 (12.6)	4.09 (13.4)	3.47 (11.4)	3.93 (12.9)	3.31 (10.9)	3.77 (12.4)	3.15 (10.3)	2.87 (9.4)
1500 (59.1)	500 (19.7)	320 (12.6)	2.44 (8.0)	2.14 (7.0)	2.25 (7.4)	1.95 (6.4)	2.05 (6.7)	1.75 (5.7)	1.64 (5.4)
1500 (59.1)	750 (29.5)	320 (12.6)	3.23 (10.6)	2.78 (9.1)	3.03 (9.9)	2.58 (8.5)	2.84 (9.3)	2.39 (7.8)	2.22 (7.3)
1500 (59.1)	1000 (39.4)	320 (12.6)	4.01 (13.2)	3.41 (11.2)	3.82 (12.5)	3.22 (10.6)	3.63 (11.9)	3.03 (9.9)	2.80 (9.2)
1500 (59.1)	1250 (49.2)	320 (12.6)	4.80 (15.7)	4.05 (13.3)	4.61 (15.1)	3.86 (12.7)	4.42 (14.5)	3.67 (12.0)	3.39 (11.1)
500 (19.7)	500 (19.7)	420 (16.5)	1.12 (3.7)	1.02 (3.3)	1.04 (3.4)	0.94 (3.1)	0.95 (3.1)	0.85 (2.8)	0.71 (2.3)
500 (19.7)	750 (29.5)	420 (16.5)	1.49 (4.9)	1.34 (4.4)	1.41 (4.6)	1.26 (4.1)	1.33 (4.4)	1.18 (3.9)	0.96 (3.1)
500 (19.7)	1000 (39.4)	420 (16.5)	1.87 (6.1)	1.67 (5.5)	1.78 (5.8)	1.58 (5.2)	1.70 (5.6)	1.50 (4.9)	1.20 (3.9)
500 (19.7)	1250 (49.2)	420 (16.5)	2.24 (7.3)	1.99 (6.5)	2.15 (7.1)	1.90 (6.2)	2.07 (6.8)	1.82 (6.0)	1.45 (4.8)
750 (29.5)	500 (19.7)	420 (16.5)	1.54 (5.1)	1.39 (4.6)	1.41 (4.6)	1.26 (4.1)	1.28 (4.2)	1.13 (3.7)	0.99 (3.2)
750 (29.5)	750 (29.5)	420 (16.5)	2.02 (6.6)	1.80 (5.9)	1.89 (6.2)	1.67 (5.5)	1.77 (5.8)	1.54 (5.1)	1.32 (4.3)
750 (29.5)	1000 (39.4)	420 (16.5)	2.51 (8.2)	2.21 (7.3)	2.38 (7.8)	2.08 (6.8)	2.25 (7.4)	1.95 (6.4)	1.66 (5.4)
750 (29.5)	1250 (49.2)	420 (16.5)	2.99 (9.8)	2.61 (8.6)	2.86 (9.4)	2.49 (8.2)	2.74 (9.0)	2.36 (7.7)	2.00 (6.6)
1000 (39.4)	500 (19.7)	420 (16.5)	1.95 (6.4)	1.75 (5.7)	1.78 (5.8)	1.58 (5.2)	1.61 (5.3)	1.41 (4.6)	1.27 (4.2)
1000 (39.4)	750 (29.5)	420 (16.5)	2.55 (8.4)	2.25 (7.4)	2.38 (7.8)	2.08 (6.8)	2.21 (7.3)	1.91 (6.3)	1.69 (5.5)
1000 (39.4)	1000 (39.4)	420 (16.5)	3.14 (10.3)	2.74 (9.0)	2.98 (9.8)	2.58 (8.5)	2.81 (9.2)	2.41 (7.9)	2.11 (6.9)
1000 (39.4)	1250 (49.2)	420 (16.5)	3.74 (12.3)	3.24 (10.6)	3.57 (11.7)	3.07 (10.1)	3.41 (11.2)	2.91 (9.5)	2.54 (8.3)
1250 (49.2)	500 (19.7)	420 (16.5)	2.36 (7.7)	2.11 (6.9)	2.15 (7.1)	1.90 (6.2)	1.94 (6.4)	1.69 (5.5)	1.55 (5.1)
1250 (49.2)	750 (29.5)	420 (16.5)	3.07 (10.1)	2.70 (8.9)	2.86 (9.4)	2.49 (8.2)	2.65 (8.7)	2.28 (7.5)	2.06 (6.8)
1250 (49.2)	1000 (39.4)	420 (16.5)	3.78 (12.4)	3.28 (10.8)	3.57 (11.7)	3.07 (10.1)	3.36 (11.0)	2.86 (9.4)	2.57 (8.4)
1250 (49.2)	1250 (49.2)	420 (16.5)	4.49 (14.7)	3.87 (12.7)	4.28 (14.0)	3.66 (12.0)	4.07 (13.4)	3.45 (11.3)	3.08 (10.1)
1500 (59.1)	500 (19.7)	420 (16.5)	2.78 (9.1)	2.48 (8.1)	2.53 (8.3)	2.23 (7.3)	2.27 (7.4)	1.97 (6.5)	1.83 (6.0)
1500 (59.1)	750 (29.5)	420 (16.5)	3.60 (11.8)	3.15 (10.3)	3.35 (11.0)	2.90 (9.5)	3.10 (10.2)	2.65 (8.7)	2.43 (8.0)
1500 (59.1)	1000 (39.4)	420 (16.5)	4.42 (14.5)	3.82 (12.5)	4.17 (13.7)	3.57 (11.7)	3.92 (12.9)	3.32 (10.9)	3.02 (9.9)
1500 (59.1)	1250 (49.2)	420 (16.5)	5.24 (17.2)	4.49 (14.7)	4.99 (16.4)	4.24 (13.9)	4.74 (15.6)	3.99 (13.1)	3.62 (11.9)

7

# Help table to calculate corrected surfaces

## Spacial floor-standing enclosures

H: mm (in.)	W: mm (in.)	D: mm (in.)	Installation mode						
			1	2	3	4	5	6	7
1200 (47.2)	800 (31.5)	300 (11.8)	2.71 (8.9)	2.33 (7.6)	2.57 (8.4)	2.18 (7.2)	2.42 (7.9)	2.04 (6.7)	1.87 (6.1)
1200 (47.2)	1000 (39.4)	300 (11.8)	3.23 (10.6)	2.75 (9.0)	3.08 (10.1)	2.60 (8.5)	2.94 (9.6)	2.46 (8.1)	2.25 (7.4)
1200 (47.2)	1200 (47.2)	400 (15.7)	4.13 (13.5)	3.55 (11.6)	3.94 (12.9)	3.36 (11.0)	3.74 (12.3)	3.17 (10.4)	2.83 (9.3)
1400 (55.1)	600 (23.6)	300 (11.8)	2.52 (8.3)	2.18 (7.2)	2.35 (7.7)	2.02 (6.6)	2.18 (7.2)	1.85 (6.1)	1.72 (5.6)
1400 (55.1)	600 (23.6)	400 (15.7)	2.86 (9.4)	2.52 (8.3)	2.63 (8.6)	2.30 (7.5)	2.41 (7.9)	2.07 (6.8)	1.90 (6.2)
1400 (55.1)	800 (31.5)	300 (11.8)	3.11 (10.2)	2.66 (8.7)	2.94 (9.6)	2.49 (8.2)	2.77 (9.1)	2.32 (7.6)	2.16 (7.1)
1400 (55.1)	800 (31.5)	400 (15.7)	3.47 (11.4)	3.02 (9.9)	3.25 (10.7)	2.80 (9.2)	3.02 (9.9)	2.58 (8.5)	2.35 (7.7)
1400 (55.1)	1000 (39.4)	400 (15.7)	4.09 (13.4)	3.53 (11.6)	3.86 (12.7)	3.30 (10.8)	3.64 (11.9)	3.08 (10.1)	2.80 (9.2)
1400 (55.1)	1200 (47.2)	400 (15.7)	4.70 (15.4)	4.03 (13.2)	4.48 (14.7)	3.81 (12.5)	4.26 (14.0)	3.58 (11.7)	3.25 (10.7)
1600 (63.0)	600 (23.6)	300 (11.8)	2.84 (9.3)	2.46 (8.1)	2.65 (8.7)	2.27 (7.4)	2.46 (8.1)	2.08 (6.8)	1.95 (6.4)
1600 (63.0)	600 (23.6)	400 (15.7)	3.22 (10.6)	2.83 (9.3)	2.96 (9.7)	2.58 (8.5)	2.70 (8.9)	2.32 (7.6)	2.15 (7.1)
1600 (63.0)	800 (31.5)	300 (11.8)	3.50 (11.5)	2.99 (9.8)	3.31 (10.9)	2.80 (9.2)	3.12 (10.2)	2.61 (8.6)	2.44 (8.0)
1600 (63.0)	800 (31.5)	400 (15.7)	3.90 (12.8)	3.39 (11.1)	3.65 (12.0)	3.14 (10.3)	3.39 (11.1)	2.88 (9.4)	2.66 (8.7)
1600 (63.0)	1000 (39.4)	300 (11.8)	4.16 (13.6)	3.52 (11.5)	3.97 (13.0)	3.33 (10.9)	3.78 (12.4)	3.14 (10.3)	2.93 (9.6)
1600 (63.0)	1000 (39.4)	400 (15.7)	4.59 (15.1)	3.95 (13.0)	4.34 (14.2)	3.70 (12.1)	4.08 (13.4)	3.44 (11.3)	3.16 (10.4)
1600 (63.0)	1200 (47.2)	300 (11.8)	4.82 (15.8)	4.06 (13.3)	4.63 (15.2)	3.86 (12.7)	4.44 (14.6)	3.67 (12.0)	3.42 (11.2)
1600 (63.0)	1200 (47.2)	400 (15.7)	5.28 (17.3)	4.51 (14.8)	5.02 (16.5)	4.26 (14.0)	4.77 (15.6)	4.00 (13.1)	3.66 (12.0)
1800 (70.9)	600 (23.6)	300 (11.8)	3.17 (10.4)	2.74 (9.0)	2.95 (9.7)	2.52 (8.3)	2.74 (9.0)	2.30 (7.5)	2.18 (7.2)
1800 (70.9)	600 (23.6)	400 (15.7)	3.58 (11.7)	3.14 (10.3)	3.29 (10.8)	2.86 (9.4)	3.00 (9.8)	2.57 (8.4)	2.40 (7.9)
1800 (70.9)	600 (23.6)	500 (19.7)	3.98 (13.1)	3.55 (11.6)	3.62 (11.9)	3.19 (10.5)	3.26 (10.7)	2.83 (9.3)	2.62 (8.6)
1800 (70.9)	800 (31.5)	300 (11.8)	3.90 (12.8)	3.32 (10.9)	3.68 (12.1)	3.11 (10.2)	3.47 (11.4)	2.89 (9.5)	2.72 (8.9)
1800 (70.9)	800 (31.5)	400 (15.7)	4.34 (14.2)	3.76 (12.3)	4.05 (13.3)	3.47 (11.4)	3.76 (12.3)	3.18 (10.4)	2.96 (9.7)
1800 (70.9)	800 (31.5)	500 (19.7)	4.77 (15.6)	4.20 (13.8)	4.41 (14.5)	3.84 (12.6)	4.05 (13.3)	3.48 (11.4)	3.20 (10.5)
1800 (70.9)	800 (31.5)	600 (23.6)	5.21 (17.1)	4.63 (15.2)	4.78 (15.7)	4.20 (13.8)	4.34 (14.2)	3.77 (12.4)	3.43 (11.3)
1800 (70.9)	1000 (39.4)	400 (15.7)	5.10 (16.7)	4.38 (14.4)	4.81 (15.8)	4.09 (13.4)	4.52 (14.8)	3.80 (12.5)	3.52 (11.5)
1800 (70.9)	1000 (39.4)	500 (19.7)	5.56 (18.2)	4.84 (15.9)	5.20 (17.1)	4.48 (14.7)	4.84 (15.9)	4.12 (13.5)	3.77 (12.4)
1800 (70.9)	1200 (47.2)	400 (15.7)	5.86 (19.2)	4.99 (16.4)	5.57 (18.3)	4.70 (15.4)	5.28 (17.3)	4.42 (14.5)	4.08 (13.4)
1800 (70.9)	1200 (47.2)	500 (19.7)	6.35 (20.8)	5.48 (18.0)	5.99 (19.7)	5.12 (16.8)	5.63 (18.5)	4.76 (15.6)	4.34 (14.2)
1800 (70.9)	1600 (63.0)	400 (15.7)	7.38 (24.2)	6.22 (20.4)	7.09 (23.3)	5.94 (19.5)	6.80 (22.3)	5.65 (18.5)	5.20 (17.1)
1800 (70.9)	1600 (63.0)	500 (19.7)	7.92 (26.0)	6.77 (22.2)	7.56 (24.8)	6.41 (21.0)	7.20 (23.6)	6.05 (19.8)	5.49 (18.0)
2000 (78.7)	600 (23.6)	300 (11.8)	3.49 (11.5)	3.01 (9.9)	3.25 (10.7)	2.77 (9.1)	3.01 (9.9)	2.53 (8.3)	2.41 (7.9)
2000 (78.7)	600 (23.6)	400 (15.7)	3.94 (12.9)	3.46 (11.4)	3.62 (11.9)	3.14 (10.3)	3.30 (10.8)	2.82 (9.3)	2.65 (8.7)
2000 (78.7)	600 (23.6)	500 (19.7)	4.38 (14.4)	3.90 (12.8)	3.98 (13.1)	3.50 (11.5)	3.58 (11.7)	3.10 (10.2)	2.89 (9.5)
2000 (78.7)	800 (31.5)	300 (11.8)	4.30 (14.1)	3.66 (12.0)	4.06 (13.3)	3.42 (11.2)	3.82 (12.5)	3.18 (10.4)	3.01 (9.9)
2000 (78.7)	800 (31.5)	400 (15.7)	4.77 (15.6)	4.13 (13.5)	4.45 (14.6)	3.81 (12.5)	4.13 (13.5)	3.49 (11.5)	3.26 (10.7)
2000 (78.7)	800 (31.5)	500 (19.7)	5.24 (17.2)	4.60 (15.1)	4.84 (15.9)	4.20 (13.8)	4.44 (14.6)	3.80 (12.5)	3.52 (11.5)
2000 (78.7)	800 (31.5)	600 (23.6)	5.71 (18.7)	5.07 (16.6)	5.23 (17.2)	4.59 (15.1)	4.75 (15.6)	4.11 (13.5)	3.78 (12.4)
2000 (78.7)	1000 (39.4)	400 (15.7)	5.60 (18.4)	4.80 (15.7)	5.28 (17.3)	4.48 (14.7)	4.96 (16.3)	4.16 (13.6)	3.88 (12.7)
2000 (78.7)	1000 (39.4)	500 (19.7)	6.10 (20.0)	5.30 (17.4)	5.70 (18.7)	4.90 (16.1)	5.30 (17.4)	4.50 (14.8)	4.15 (13.6)
2000 (78.7)	1200 (47.2)	400 (15.7)	6.43 (21.1)	5.47 (17.9)	6.11 (20.0)	5.15 (16.9)	5.79 (19.0)	4.83 (15.8)	4.50 (14.8)
2000 (78.7)	1200 (47.2)	500 (19.7)	6.96 (22.8)	6.00 (19.7)	6.56 (21.5)	5.60 (18.4)	6.16 (20.2)	5.20 (17.1)	4.78 (15.7)
2000 (78.7)	1200 (47.2)	600 (23.6)	7.49 (24.6)	6.53 (21.4)	7.01 (23.0)	6.05 (19.8)	6.53 (21.4)	5.57 (18.3)	5.06 (16.6)
2000 (78.7)	1600 (63.0)	400 (15.7)	8.10 (26.6)	6.82 (22.4)	7.78 (25.5)	6.50 (21.3)	7.46 (24.5)	6.18 (20.3)	5.73 (18.8)
2000 (78.7)	1600 (63.0)	500 (19.7)	8.68 (28.5)	7.40 (24.3)	8.28 (27.2)	7.00 (23.0)	7.88 (25.9)	6.60 (21.7)	6.04 (19.8)
2000 (78.7)	1600 (63.0)	600 (23.6)	9.26 (30.4)	7.98 (26.2)	8.78 (28.8)	7.50 (24.6)	8.30 (27.2)	7.02 (23.0)	6.35 (20.8)



**Installation mode**

- 1 Accessible from every side
- 2 Placed against a wall
- 3 On the end when joined
- 4 On the end when joined, placed against a wall
- 5 In the middle when joined
- 6 In the middle when joined, placed against a wall
- 7 In the middle when joined, placed against a wall, closed covered top










Use ProClima to save time and find the best solution!

The surfaces are given in m<sup>2</sup>.

# Help table to calculate corrected surfaces

## Spacial modular enclosures

H: mm (in.)	W: mm (in.)	D: mm (in.)	Installation mode						
			1  m² (ft²)	2  m² (ft²)	3  m² (ft²)	4  m² (ft²)	5  m² (ft²)	6  m² (ft²)	7  m² (ft²)
1200 (47.2)	600 (23.6)	400 (15.7)	2.50 (8.2)	2.21 (7.3)	2.30 (7.5)	2.02 (6.6)	2.11 (6.9)	1.82 (6.0)	1.66 (5.4)
1200 (47.2)	600 (23.6)	600 (23.6)	3.10 (10.2)	2.81 (9.2)	2.81 (9.2)	2.52 (8.3)	2.52 (8.3)	2.23 (7.3)	1.98 (6.5)
1200 (47.2)	800 (31.5)	400 (15.7)	3.04 (10.0)	2.66 (8.7)	2.85 (9.4)	2.46 (8.1)	2.66 (8.7)	2.27 (7.4)	2.05 (6.7)
1200 (47.2)	800 (31.5)	600 (23.6)	3.70 (12.1)	3.31 (10.9)	3.41 (11.2)	3.02 (9.9)	3.12 (10.2)	2.74 (9.0)	2.40 (7.9)
1400 (55.1)	600 (23.6)	400 (15.7)	2.86 (9.4)	2.52 (8.3)	2.63 (8.6)	2.30 (7.5)	2.41 (7.9)	2.07 (6.8)	1.90 (6.2)
1400 (55.1)	800 (31.5)	400 (15.7)	3.47 (11.4)	3.02 (9.9)	3.25 (10.7)	2.80 (9.2)	3.02 (9.9)	2.58 (8.5)	2.35 (7.7)
1600 (63.0)	600 (23.6)	600 (23.6)	3.96 (13.0)	3.58 (11.7)	3.58 (11.7)	3.19 (10.5)	3.19 (10.5)	2.81 (9.2)	2.56 (8.4)
1600 (63.0)	600 (23.6)	800 (31.5)	4.70 (15.4)	4.32 (14.2)	4.19 (13.7)	3.81 (12.5)	3.68 (12.1)	3.30 (10.8)	2.96 (9.7)
1600 (63.0)	800 (31.5)	600 (23.6)	4.70 (15.4)	4.19 (13.7)	4.32 (14.2)	3.81 (12.5)	3.94 (12.9)	3.42 (11.2)	3.09 (10.1)
1600 (63.0)	800 (31.5)	800 (31.5)	5.50 (18.0)	4.99 (16.4)	4.99 (16.4)	4.48 (14.7)	4.48 (14.7)	3.97 (13.0)	3.52 (11.5)
1800 (70.9)	400 (15.7)	400 (15.7)	2.82 (9.3)	2.53 (8.3)	2.53 (8.3)	2.24 (7.3)	2.24 (7.3)	1.95 (6.4)	1.84 (6.0)
1800 (70.9)	400 (15.7)	500 (19.7)	3.20 (10.5)	2.91 (9.5)	2.84 (9.3)	2.55 (8.4)	2.58 (8.1)	2.19 (7.2)	2.05 (6.7)
1800 (70.9)	400 (15.7)	600 (23.6)	3.58 (11.7)	3.29 (10.8)	3.14 (10.3)	2.86 (9.4)	2.71 (8.9)	2.42 (7.9)	2.26 (7.4)
1800 (70.9)	600 (23.6)	400 (15.7)	3.58 (11.7)	3.14 (10.3)	3.29 (10.8)	2.86 (9.4)	3.00 (9.8)	2.57 (8.4)	2.40 (7.9)
1800 (70.9)	600 (23.6)	500 (19.7)	3.98 (13.1)	3.55 (11.6)	3.62 (11.9)	3.19 (10.5)	3.26 (10.7)	2.83 (9.3)	2.62 (8.6)
1800 (70.9)	600 (23.6)	600 (23.6)	4.39 (14.4)	3.96 (13.0)	3.96 (13.0)	3.53 (11.6)	3.53 (11.6)	3.10 (10.2)	2.84 (9.3)
1800 (70.9)	600 (23.6)	800 (31.5)	5.21 (17.1)	4.78 (15.7)	4.63 (15.2)	4.20 (13.8)	4.06 (13.3)	3.62 (11.9)	3.29 (10.8)
1800 (70.9)	800 (31.5)	400 (15.7)	4.34 (14.2)	3.76 (12.3)	4.05 (13.3)	3.47 (11.4)	3.76 (12.3)	3.18 (10.4)	2.96 (9.7)
1800 (70.9)	800 (31.5)	500 (19.7)	4.77 (15.6)	4.20 (13.8)	4.41 (14.5)	3.84 (12.6)	4.05 (13.3)	3.48 (11.4)	3.20 (10.5)
1800 (70.9)	800 (31.5)	600 (23.6)	5.21 (17.1)	4.63 (15.2)	4.78 (15.7)	4.20 (13.8)	4.34 (14.2)	3.77 (12.4)	3.43 (11.3)
1800 (70.9)	1000 (39.4)	400 (15.7)	5.10 (16.7)	4.38 (14.4)	4.81 (15.8)	4.09 (13.4)	4.52 (14.8)	3.80 (12.5)	3.52 (11.5)
1800 (70.9)	1000 (39.4)	500 (19.7)	5.56 (18.2)	4.84 (15.9)	5.20 (17.1)	4.48 (14.7)	4.84 (15.9)	4.12 (13.5)	3.77 (12.4)
1800 (70.9)	1000 (39.4)	600 (23.6)	6.02 (19.8)	5.30 (17.4)	5.59 (18.3)	4.87 (16.0)	5.16 (16.9)	4.44 (14.6)	4.02 (13.2)
1800 (70.9)	1200 (47.2)	400 (15.7)	5.86 (19.2)	4.99 (16.4)	5.57 (18.3)	4.70 (15.4)	5.28 (17.3)	4.42 (14.5)	4.08 (13.4)
1800 (70.9)	1200 (47.2)	500 (19.7)	6.35 (20.8)	5.48 (18.0)	5.99 (19.7)	5.12 (16.8)	5.63 (18.5)	4.76 (15.6)	4.34 (14.2)
1800 (70.9)	1200 (47.2)	600 (23.6)	6.84 (22.4)	5.98 (19.6)	6.41 (21.0)	5.54 (18.2)	5.98 (19.6)	5.11 (16.8)	4.61 (15.1)
2000 (78.7)	300 (11.8)	500 (19.7)	3.09 (10.1)	2.85 (9.4)	2.69 (8.8)	2.45 (8.0)	2.29 (7.5)	2.05 (6.7)	1.95 (6.4)
2000 (78.7)	300 (11.8)	600 (23.6)	3.49 (11.5)	3.25 (10.7)	3.01 (9.9)	2.77 (9.1)	2.53 (8.3)	2.29 (7.5)	2.17 (7.1)
2000 (78.7)	400 (15.7)	400 (15.7)	3.10 (10.2)	2.78 (9.1)	2.78 (9.1)	2.46 (8.1)	2.46 (8.1)	2.14 (7.0)	2.03 (6.7)
2000 (78.7)	400 (15.7)	500 (19.7)	3.52 (11.5)	3.20 (10.5)	3.12 (10.2)	2.80 (9.2)	2.72 (8.9)	2.40 (7.9)	2.26 (7.4)
2000 (78.7)	400 (15.7)	600 (23.6)	3.94 (12.9)	3.62 (11.9)	3.46 (11.4)	3.14 (10.3)	2.98 (9.8)	2.66 (8.7)	2.49 (8.2)
2000 (78.7)	400 (15.7)	800 (31.5)	4.77 (15.6)	4.45 (14.6)	4.13 (13.5)	3.81 (12.5)	3.49 (11.5)	3.17 (10.4)	2.94 (9.6)
2000 (78.7)	600 (23.6)	400 (15.7)	3.94 (12.9)	3.46 (11.4)	3.62 (11.9)	3.14 (10.3)	3.30 (10.8)	2.82 (9.3)	2.65 (8.7)
2000 (78.7)	600 (23.6)	500 (19.7)	4.38 (14.4)	3.90 (12.8)	3.98 (13.1)	3.50 (11.5)	3.58 (11.7)	3.10 (10.2)	2.89 (9.5)
2000 (78.7)	600 (23.6)	600 (23.6)	4.82 (15.8)	4.34 (14.2)	4.34 (14.2)	3.86 (12.7)	3.86 (12.7)	3.38 (11.1)	3.13 (10.3)
2000 (78.7)	600 (23.6)	800 (31.5)	5.71 (18.7)	5.23 (17.2)	5.07 (16.6)	4.59 (15.1)	4.43 (14.5)	3.95 (13.0)	3.62 (11.9)
2000 (78.7)	800 (31.5)	400 (15.7)	4.77 (15.6)	4.13 (13.5)	4.45 (14.6)	3.81 (12.5)	4.13 (13.5)	3.49 (11.5)	3.26 (10.7)
2000 (78.7)	800 (31.5)	500 (19.7)	5.24 (17.2)	4.60 (15.1)	4.84 (15.9)	4.20 (13.8)	4.44 (14.6)	3.80 (12.5)	3.52 (11.5)
2000 (78.7)	800 (31.5)	600 (23.6)	5.71 (18.7)	5.07 (16.6)	5.23 (17.2)	4.59 (15.1)	4.75 (15.6)	4.11 (13.5)	3.78 (12.4)
2000 (78.7)	800 (31.5)	800 (31.5)	6.66 (21.9)	6.02 (19.8)	6.02 (19.8)	5.38 (17.7)	5.38 (17.7)	4.74 (15.6)	4.29 (14.1)
2000 (78.7)	1000 (39.4)	400 (15.7)	5.60 (18.4)	4.80 (15.7)	5.28 (17.3)	4.48 (14.7)	4.96 (16.3)	4.16 (13.6)	3.88 (12.7)
2000 (78.7)	1000 (39.4)	500 (19.7)	6.10 (20.0)	5.30 (17.4)	5.70 (18.7)	4.90 (16.1)	5.30 (17.4)	4.50 (14.8)	4.15 (13.6)
2000 (78.7)	1000 (39.4)	600 (23.6)	6.60 (21.7)	5.80 (19.0)	6.12 (20.1)	5.32 (17.5)	5.64 (18.5)	4.84 (15.9)	4.42 (14.5)
2000 (78.7)	1000 (39.4)	800 (31.5)	7.60 (24.9)	6.80 (22.3)	6.96 (22.8)	6.16 (20.2)	6.32 (20.7)	5.52 (18.1)	4.96 (16.3)
2000 (78.7)	1200 (47.2)	400 (15.7)	6.43 (21.1)	5.47 (17.9)	6.11 (20.0)	5.15 (16.9)	5.79 (19.0)	4.83 (15.8)	4.50 (14.8)
2000 (78.7)	1200 (47.2)	500 (19.7)	6.96 (22.8)	6.00 (19.7)	6.56 (21.5)	5.60 (18.4)	6.16 (20.2)	5.20 (17.1)	4.78 (15.7)
2000 (78.7)	1200 (47.2)	600 (23.6)	7.49 (24.6)	6.53 (21.4)	7.01 (23.0)	6.05 (19.8)	6.53 (21.4)	5.57 (18.3)	5.06 (16.6)
2000 (78.7)	1200 (47.2)	800 (31.5)	8.54 (28.0)	7.58 (24.9)	7.90 (25.9)	6.94 (22.8)	7.26 (23.8)	6.30 (20.7)	5.63 (18.5)
2000 (78.7)	1600 (63.0)	400 (15.7)	8.10 (26.6)	6.82 (22.4)	7.78 (25.5)	6.50 (21.3)	7.46 (24.5)	6.18 (20.3)	5.73 (18.8)
2000 (78.7)	1600 (63.0)	500 (19.7)	8.68 (28.5)	7.40 (24.3)	8.28 (27.2)	7.00 (23.0)	7.88 (25.9)	6.60 (21.7)	6.04 (19.8)
2000 (78.7)	1600 (63.0)	600 (23.6)	9.26 (30.4)	7.98 (26.2)	8.78 (28.8)	7.50 (24.6)	8.30 (27.2)	7.02 (23.0)	6.35 (20.8)
2200 (86.6)	400 (15.7)	600 (23.6)	4.30 (14.1)	3.94 (12.9)	3.77 (12.4)	3.42 (11.2)	3.24 (10.6)	2.89 (9.5)	2.72 (8.9)
2200 (86.6)	600 (23.6)	600 (23.6)	5.26 (17.3)	4.73 (15.5)	4.73 (15.5)	4.20 (13.8)	4.20 (13.8)	3.67 (12.0)	3.42 (11.2)
2200 (86.6)	600 (23.6)	800 (31.5)	6.22 (20.4)	5.69 (18.7)	5.51 (18.1)	4.98 (16.3)	4.81 (15.8)	4.28 (14.0)	3.94 (12.9)
2200 (86.6)	800 (31.5)	600 (23.6)	6.22 (20.4)	5.51 (18.1)	5.69 (18.7)	4.98 (16.3)	5.16 (16.9)	4.46 (14.6)	4.12 (13.5)
2200 (86.6)	800 (31.5)	800 (31.5)	7.23 (23.7)	6.53 (21.4)	6.53 (21.4)	5.82 (19.1)	5.82 (19.1)	5.12 (16.8)	4.67 (15.3)
2200 (86.6)	1000 (39.4)	600 (23.6)	7.18 (23.6)	6.30 (20.7)	6.65 (21.8)	5.77 (18.9)	6.12 (20.1)	5.24 (17.2)	4.82 (15.8)
2200 (86.6)	1200 (47.2)	600 (23.6)	8.14 (26.7)	7.08 (23.2)	7.61 (25.0)	6.55 (21.5)	7.08 (23.2)	6.02 (19.8)	5.52 (18.1)
2200 (86.6)	1200 (47.2)	800 (31.5)	9.26 (30.4)	8.21 (26.9)	8.56 (28.1)	7.50 (24.6)	7.86 (25.8)	6.80 (22.3)	6.13 (20.1)

7

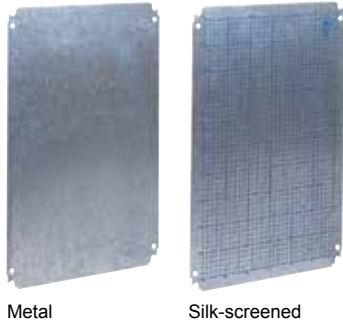


<b>Mounting</b> .....	8/2
Installation accessories .....	8/2
Installation examples .....	8/30 and 8/40
Equipment support accessories .....	8/42
Rails .....	8/48
Nuts and screws for rails .....	8/65
<b>Cable management</b> .....	8/67
Cable entries .....	8/68
Cable support .....	8/79
Cable distribution .....	8/84
Cable ducts and duct supports .....	8/86
<b>Lighting accessories</b> .....	8/90
<b>Door accessories</b> .....	8/94
<b>Grounding accessories</b> .....	8/101
<b>Floor accessories</b> .....	8/104



# Mounting

## Installation accessories




Metal

Silk-screened

### Plain and silk-screened mounting plates

- Galvanized-steel mounting plates.
- Silk screened for easier distribution of the products to be installed.
- Grid pattern in centimeters.

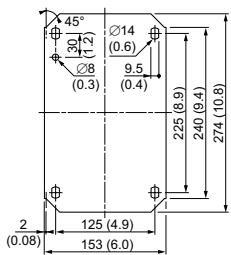
 Supply: 1 mounting plate and mounting hardware.

For floor-standing enclosure: mm (in.)		Height: mm (in.)	Width: mm (in.)	Surface (dm <sup>2</sup> )	Max load: kg (lbs)	Weight: kg (lbs)	Catalog number	
Height	Width						Metal	Silk-screened
200 (7.9)	200 (7.9)	165 (6.5)	150 (5.9)	2.5	40 (88.2)	0.4 (0.9)	<b>NSYMM22</b>	-
200 (7.9)	300 (11.8)	265 (10.4)	150 (5.9)	4	40 (88.2)	0.6 (1.3)	<b>NSYMM23</b>	-
250 (9.8)	200 (7.9)	215 (8.5)	150 (5.9)	3.2	40 (88.2)	0.5 (1.1)	<b>NSYMM2520</b>	-
250 (9.8)	400 (15.7)	150 (5.9)	350 (13.8)	5.3	60 (132.3)	0.8 (1.8)	<b>NSYMM2540</b>	-
250 (9.8)	500 (19.7)	150 (5.9)	450 (17.7)	6.8	60 (132.3)	1.1 (2.4)	<b>NSYMM2550</b>	-
300 (11.8)	200 (7.9)	274 (10.8)	153 (6.0)	3.8	60 (132.3)	0.6 (1.3)	<b>NSYMM32</b>	-
300 (11.8)	250 (9.8)	250 (9.8)	200 (7.9)	5	60 (132.3)	0.7 (1.5)	<b>NSYMM3025</b>	-
300 (11.8)	300 (11.8)	250 (9.8)	250 (9.8)	6.3	60 (132.3)	0.9 (2.0)	<b>NSYMM33</b>	-
300 (11.8)	400 (15.7)	250 (9.8)	350 (13.8)	8.8	60 (132.3)	1.25 (2.8)	<b>NSYMM43 (1)</b>	<b>NSYMS43</b>
300 (11.8)	450 (17.7)	250 (9.8)	400 (15.7)	10.0	60 (132.3)	1.4 (3.1)	<b>NSYMM3045</b>	-
300 (11.8)	600 (23.6)	250 (9.8)	550 (21.7)	13.8	60 (132.3)	2 (4.4)	<b>NSYMM36</b>	-
400 (15.7)	400 (15.7)	350 (13.8)	350 (13.8)	12.3	60 (132.3)	1.7 (3.7)	<b>NSYMM44</b>	<b>NSYMS44</b>
400 (15.7)	600 (23.6)	350 (13.8)	550 (21.7)	19.3	90 (198.4)	2.7 (6.0)	<b>NSYMM64 (1)</b>	<b>NSYMS64</b>
400 (15.7)	800 (31.5)	350 (13.8)	750 (29.5)	26.3	90 (198.4)	3.8 (8.4)	<b>NSYMM48</b>	-
500 (19.7)	300 (11.8)	450 (17.7)	250 (9.8)	11.3	60 (132.3)	1.65 (3.6)	<b>NSYMM53 (1)</b>	<b>NSYMS53</b>
500 (19.7)	400 (15.7)	450 (17.7)	350 (13.8)	15.8	90 (198.4)	2.2 (4.9)	<b>NSYMM54</b>	<b>NSYMS54</b>
500 (19.7)	500 (19.7)	450 (17.7)	450 (17.7)	20.3	90 (198.4)	2.95 (6.5)	<b>NSYMM55 (1)</b>	<b>NSYMS55</b>
600 (23.6)	400 (15.7)	550 (21.7)	350 (13.8)	19.3	90 (198.4)	2.70 (6.0)	<b>NSYMM64</b>	<b>NSYMS64</b>
600 (23.6)	500 (19.7)	550 (21.7)	450 (17.7)	24.8	90 (198.4)	3.6 (7.9)	<b>NSYMM65</b>	-
600 (23.6)	600 (23.6)	550 (21.7)	550 (21.7)	30.3	135 (297.6)	4.4 (9.7)	<b>NSYMM66</b>	<b>NSYMS66</b>
700 (27.6)	500 (19.7)	650 (25.6)	450 (17.7)	29.3	135 (297.6)	4.25 (9.4)	<b>NSYMM75</b>	<b>NSYMS75</b>
700 (27.6)	600 (23.6)	650 (25.6)	550 (21.7)	35.8	135 (297.6)	5.2 (11.5)	<b>NSYMM76</b>	-
800 (31.5)	600 (23.6)	750 (29.5)	550 (21.7)	41.3	135 (297.6)	8.1 (17.9)	<b>NSYMM86 (1)</b>	<b>NSYMS86</b>
800 (31.5)	800 (31.5)	750 (29.5)	750 (29.5)	56.3	150 (330.7)	11 (24.3)	<b>NSYMM88</b>	-
1000 (39.4)	600 (23.6)	950 (37.4)	550 (21.7)	52.3	150 (330.7)	10.2 (22.5)	<b>NSYMM106</b>	-
1000 (39.4)	800 (31.5)	950 (37.4)	750 (29.5)	71.3	150 (330.7)	13.9 (30.6)	<b>NSYMM108 (1)</b>	-
1000 (39.4)	1000 (39.4)	950 (37.4)	950 (37.4)	93.1	180 (396.8)	18.1 (39.9)	<b>NSYMM1010</b>	-
1200 (47.2)	600 (23.6)	1150 (45.3)	550 (21.7)	65.8	180 (396.8)	12.8 (28.2)	<b>NSYMM126</b>	-
1200 (47.2)	800 (31.5)	1150 (45.3)	750 (29.5)	89.1	180 (396.8)	17.35 (38.3)	<b>NSYMM128 (1)</b>	-
1200 (47.2)	1000 (39.4)	1150 (45.3)	950 (37.4)	112.4	180 (396.8)	21.9 (48.3)	<b>NSYMM1210 (1)</b>	-
1200 (47.2)	1200 (47.2)	1150 (45.3)	1150 (45.3)	135.7	180 (396.8)	26.45 (58.3)	<b>NSYMM1212</b>	-
1400 (55.1)	1000 (39.4)	1350 (53.1)	950 (37.4)	131.7	180 (396.8)	25.7 (56.7)	<b>NSYMM1410</b>	-

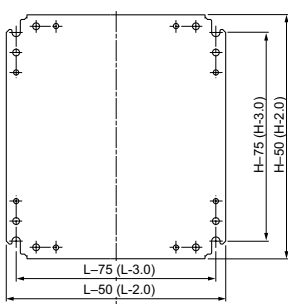
(1) Plate can be installed vertically or horizontally to fit various enclosures.

Example: Plate catalog no. **NSYMM64** can be used for the following enclosures:

- H 600 × W 400 mm (23.6 × 15.7 in.).
- H 400 × W 600 mm (15.7 × 23.6 in.).

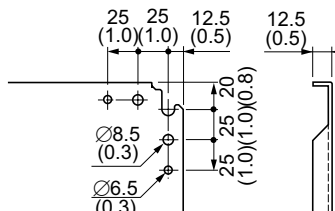


NSYMM32



NSYMM33, NSYMM36,  
NSYMM3025, NSYMM66,  
NSYMM55

For ranges  
S3DC, CRN,  
S3X, PLM, S57



For enclosure sizes 1000 × 1000 mm (39.4 × 39.4 in.) and larger.



Mounting plate with sliding supports.



See also  
these accessories

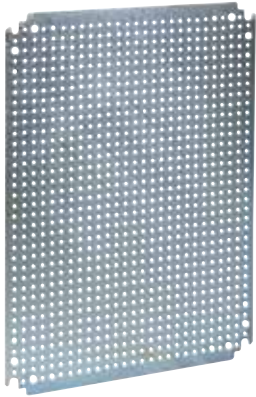


Step slides  
Page 8/7



Rails and uprights  
Pages 8/23 and 8/48

# Mounting Installation accessories

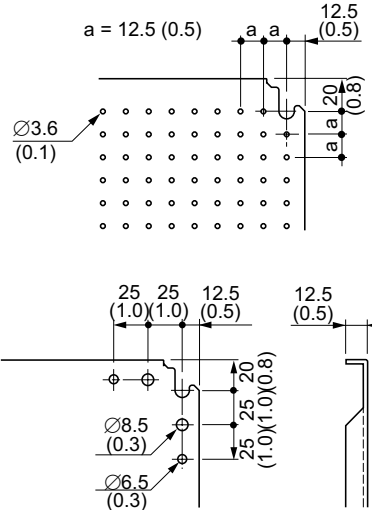


For ranges  
S3DC, CRN,  
S3X, PLM, S57

## Microperforated mounting plate

- Galvanized-steel microperforated mounting plates.
- The mounting plates have pre-drilled holes for self-tapping screws to reduce product installation time.
- Holes with  $\varnothing 3.6$  mm (0.1 in.) in steps of 12.5 mm (0.5 in.).

Supply: 1 mounting plate and mounting hardware.



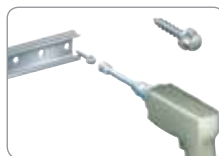
For enclosures 1000 × 1000 mm (39.4 × 39.4 in.) or larger.

For enclosures		Height: mm (in.)	Width: mm (in.)	Surface (dm <sup>2</sup> )	Maximum load: kg (lbs)	Weight: kg (lbs)	Catalog number
Height: mm (in.)	Width: mm (in.)						
300 (11.8)	200 (7.9)	265 (10.4)	150 (5.9)	4	60 (132.3)	0.55 (1.2)	<b>NSYMF32</b>
300 (11.8)	300 (11.8)	265 (10.4)	250 (9.8)	6.6	60 (132.3)	0.95 (2.1)	<b>NSYMF33</b>
300 (11.8)	400 (15.7)	250 (9.8)	350 (13.8)	9.3	60 (132.3)	1.35 (3.0)	<b>NSYMF43 (1)</b>
400 (15.7)	400 (15.7)	365 (14.4)	350 (13.8)	12.8	60 (132.3)	1.85 (4.1)	<b>NSYMF44</b>
500 (19.7)	300 (11.8)	450 (17.7)	250 (9.8)	11.6	60 (132.3)	1.70 (3.7)	<b>NSYMF53</b>
500 (19.7)	400 (15.7)	465 (18.3)	350 (13.8)	16.3	90 (198.4)	2.40 (5.3)	<b>NSYMF54</b>
500 (19.7)	500 (19.7)	465 (18.3)	450 (17.7)	20.9	90 (198.4)	3.05 (6.7)	<b>NSYMF55</b>
600 (23.6)	400 (15.7)	550 (21.7)	365 (14.4)	20.1	90 (198.4)	2.95 (6.5)	<b>NSYMF64 (1)</b>
600 (23.6)	500 (19.7)	550 (21.7)	450 (17.7)	24.5	90 (198.4)	3.60 (7.9)	<b>NSYMF65</b>
600 (23.6)	600 (23.6)	565 (22.2)	550 (21.7)	31.1	135 (297.6)	4.55 (10.0)	<b>NSYMF66</b>
700 (27.6)	500 (19.7)	665 (26.2)	450 (17.7)	29.9	135 (297.6)	4.40 (9.7)	<b>NSYMF75</b>
800 (31.5)	600 (23.6)	765 (30.1)	550 (21.7)	42.1	135 (297.6)	7.70 (17.0)	<b>NSYMF86 (1)</b>
800 (31.5)	800 (31.5)	765 (30.1)	750 (29.5)	57.4	150 (330.7)	10.55 (23.3)	<b>NSYMF88</b>
1000 (39.4)	600 (23.6)	965 (38.0)	550 (21.7)	53.1	150 (330.7)	9.75 (21.5)	<b>NSYMF106</b>
1000 (39.4)	800 (31.5)	965 (38.0)	750 (29.5)	91.7	150 (330.7)	13.30 (29.3)	<b>NSYMF108 (1)</b>
1000 (39.4)	1000 (39.4)	965 (38.0)	965 (38.0)	93.1	180 (396.8)	17.10 (37.7)	<b>NSYMF1010</b>
1200 (47.2)	600 (23.6)	1165 (45.9)	565 (22.2)	65.8	180 (396.8)	12.05 (26.6)	<b>NSYMF126</b>
1200 (47.2)	800 (31.5)	1165 (45.9)	765 (30.1)	89.1	180 (396.8)	16.35 (36.0)	<b>NSYMF128</b>
1200 (47.2)	1000 (39.4)	1165 (45.9)	965 (38.0)	112.4	180 (396.8)	20.65 (45.5)	<b>NSYMF1210 (1)</b>

(1) Plate can be installed vertically or horizontally to fit various enclosures.  
 Example: Plate catalog no. **NSYMF64** can be used for the following enclosures:  
 • H 600 × W 400 mm (23.6 × 15.7 in.). • H 400 × W 600 mm (15.7 × 23.6 in.).



See also  
these accessories



Self-tapping screws  
catalog no. **NSYS16M5HS**  
Page 8/65

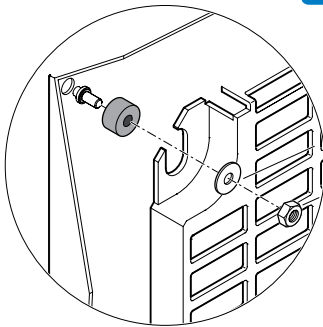


Step slides  
Page 8/7

# Mounting Installation accessories




For ranges  
S3DC, CRN,  
S3X, PLM, S57

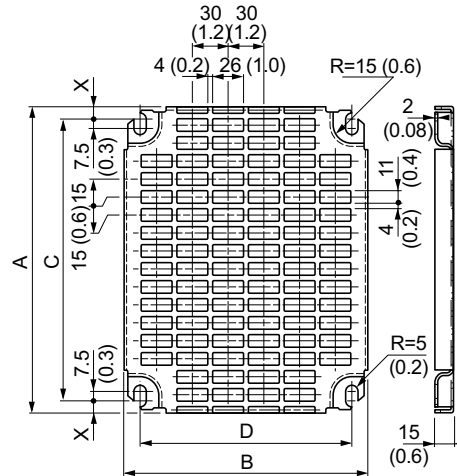


Mounting-plate elevators. Supply: 6 elevators.  
Catalog no. **NSYEMR**

## Telequick™ mounting plate

- Zinc-coated steel Telequick mounting plates. The plates allow cable guides, ducts and other installation accessories to be clipped on, making it easier to install switchgear.
- 11 × 26 mm (0.4 × 1.0 in.) slots.
- Switchgear mounting by clip-on nuts.

 Supply: 1 mounting plate and mounting hardware.



For enclosures: mm (in.)		Dimensions: mm (in.)					Surface (dm²)	Load: kg (lbs)	No. of perfs. in		Catalog number
Height	Width	A	B	C	D	X			Height	Width	
300 (11.8)	200 (7.9)	255 (10.0)	153.7 (6.1)	231.3 (9.1)	125 (4.9)	11.85 (0.5)	3.3	0.30 (0.7)	16	5	<b>NSYMR32</b>
300 (11.8)	250 (9.8)	253 (10.0)	228 (9.0)	231.3 (9.1)	175 (6.9)	10.85 (0.4)	5.1	0.40 (0.9)	16	8	<b>NSYMR3025</b>
300 (11.8)	300 (11.8)	255 (10.0)	251 (9.9)	231.3 (9.1)	225 (8.9)	11.85 (0.5)	5.8	0.50 (1.1)	16	9	<b>NSYMR33</b>
300 (11.8)	400 (15.7)	255 (10.0)	354 (13.9)	235 (9.3)	325 (12.8)	10 (0.4)	8.3	0.75 (1.7)	18	11	<b>NSYMR34</b>
400 (15.7)	300 (11.8)	348.7 (13.7)	251 (9.9)	325 (12.8)	225 (8.9)	11.85 (0.5)	8.1	0.70 (1.5)	22	9	<b>NSYMR43</b>
400 (15.7)	400 (15.7)	345 (13.6)	351 (13.8)	325 (12.8)	325 (12.8)	10 (0.4)	11.5	1 (2.2)	24	11	<b>NSYMR44</b>
400 (15.7)	600 (23.6)	345 (13.6)	551 (21.7)	325 (12.8)	525 (20.7)	10 (0.4)	18.4	1.55 (3.4)	24	19	<b>NSYMR46</b>
500 (19.7)	300 (11.8)	453.7 (17.9)	251 (9.9)	430 (16.9)	225 (8.9)	11.85 (0.5)	10.7	0.85 (1.9)	29	9	<b>NSYMR53</b>
500 (19.7)	400 (15.7)	450 (17.7)	351 (13.8)	430 (16.9)	325 (12.8)	10 (0.4)	15.2	1.30 (2.9)	31	11	<b>NSYMR54</b>
500 (19.7)	500 (19.7)	450 (17.7)	451 (17.8)	430 (16.9)	425 (16.7)	10 (0.4)	19.7	1.60 (3.5)	31	14	<b>NSYMR55</b>
600 (23.6)	400 (15.7)	555 (21.9)	351 (13.8)	530 (20.9)	325 (12.8)	12.5 (0.5)	18.8	1.50 (3.3)	38	11	<b>NSYMR64</b>
600 (23.6)	500 (19.7)	555 (21.9)	451 (17.8)	535 (21.1)	425 (16.7)	10 (0.4)	24.4	2 (4.4)	38	14	<b>NSYMR65</b>
600 (23.6)	600 (23.6)	555 (21.9)	551 (21.7)	535 (21.1)	625 (24.6)	10 (0.4)	29.9	2.50 (5.5)	38	17	<b>NSYMR66</b>
600 (23.6)	800 (31.5)	551 (21.7)	750 (29.5)	531 (20.9)	724 (28.5)	10 (0.4)	40.7	3.10 (6.8)	36	24	<b>NSYMR68</b>
700 (27.6)	500 (19.7)	645 (25.4)	451 (17.8)	625 (24.6)	425 (16.7)	10 (0.4)	28.4	2.35 (5.2)	44	14	<b>NSYMR75</b>
800 (31.5)	600 (23.6)	750 (29.5)	551 (21.7)	730 (28.7)	525 (20.7)	10 (0.4)	40.7	3.20 (7.1)	51	17	<b>NSYMR86</b>
800 (31.5)	800 (31.5)	750 (29.5)	751 (29.6)	730 (28.7)	725 (28.5)	10 (0.4)	55.7	3.95 (8.7)	51	24	<b>NSYMR88</b>
800 (31.5)	1000 (39.4)	751 (29.6)	951 (37.4)	731 (28.8)	925 (36.4)	10 (0.4)	70.8	5.30 (11.7)	49	31	<b>NSYMR810</b>
1000 (39.4)	600 (23.6)	945 (37.2)	551 (21.7)	925 (36.4)	525 (20.7)	10 (0.4)	51.4	4.05 (8.9)	64	17	<b>NSYMR106</b>
1000 (39.4)	800 (31.5)	945 (37.2)	751 (29.6)	925 (36.4)	725 (28.5)	10 (0.4)	70.3	5 (11.0)	64	24	<b>NSYMR108</b>
1000 (39.4)	1000 (39.4)	945 (37.2)	951 (37.4)	925 (36.4)	925 (36.4)	10 (0.4)	89.2	6.50 (14.3)	62	31	<b>NSYMR1010</b>
1000 (39.4)	1200 (47.2)	951 (37.4)	1151 (45.3)	931 (36.7)	1125 (44.3)	10 (0.4)	108.8	7.45 (16.4)	62	37	<b>NSYMR1012</b>
1200 (47.2)	600 (23.6)	1145 (45.1)	551 (21.7)	1125 (44.3)	525 (20.7)	10 (0.4)	62.4	5.70 (12.6)	75	17	<b>NSYMR126</b>
1200 (47.2)	800 (31.5)	1145 (45.1)	751 (29.6)	1125 (44.3)	725 (28.5)	10 (0.4)	85.3	6.40 (14.1)	75	24	<b>NSYMR128</b>
1200 (47.2)	1000 (39.4)	1145 (45.1)	951 (37.4)	1125 (44.3)	925 (36.4)	10 (0.4)	108.2	7.80 (17.2)	75	31	<b>NSYMR1210</b>
1400 (55.1)	1000 (39.4)	1345 (53.0)	951 (37.4)	1325 (52.2)	925 (36.4)	10 (0.4)	127.3	9.10 (20.1)	88	31	<b>NSYMR1410</b>

To install two mounting plates in a single enclosure, also order catalog number **NSYCRNGSDR**.

To install the plate in an enclosure with 6 studs, also order catalog number **NSYEMR**.



See also  
these accessories



Clip-on nuts  
Page 8/27



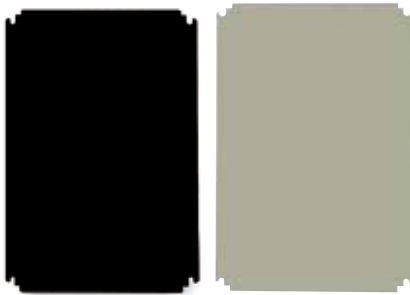
Lyre-shaped clamp for plate  
catalog no. **NSYGR**  
Page 8/89



Plastic cable support  
catalog no. **NSYSPC**  
Page 8/88

# Mounting

## Installation accessories



Bakelite

Polyester

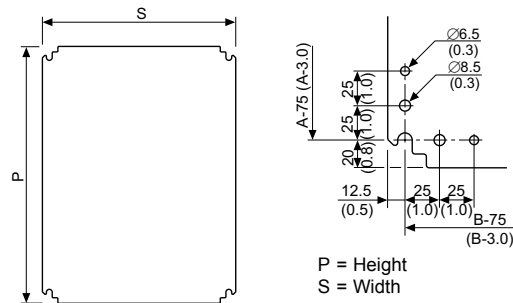
For ranges  
S3DC, CRN,  
S3X, PLM

### Bakelite® and polyester mounting plate

- Made in Bakelite RAL 9005 black or from polyester reinforced with fiberglass, RAL 7035 gray.
- The mounting plates are joined directly to the rear of the enclosure or to sliding plate supports.
- Double-door enclosures offer the option of installing one full plate or two individual plates. See guide below.



Supply: 1 mounting plate and mounting hardware.



For floor-standing enclosure: mm (in.)		Dimensions: mm (in.)		Thickness: mm (in.)		Weight: kg (lbs)		Catalog number	
Height (A)	Width (B)	Height (P)	Width (S)	Bakelite	Polyester	Bakelite	Polyester	Bakelite	Polyester
300 (11.8)	200 (7.9)	265 (10.4)	150 (5.9)	4 (0.2)	4 (0.2)	0.2 (0.4)	0.3 (0.7)	<b>NSYMB32</b>	<b>NSYMPP32</b>
300 (11.8)	250 (9.8)	265 (10.4)	200 (7.9)	4 (0.2)	4 (0.2)	0.2 (0.4)	0.4 (0.9)	<b>NSYMB3025</b>	<b>NSYMPP3025</b>
300 (11.8)	300 (11.8)	265 (10.4)	250 (9.8)	4 (0.2)	–	0.3 (0.7)	–	<b>NSYMB33</b>	–
400 (15.7)	300 (11.8)	325 (12.8)	250 (9.8)	4 (0.2)	4 (0.2)	0.5 (1.1)	0.7 (1.5)	<b>NSYMB43</b>	<b>NSYMPP43</b>
500 (19.7)	400 (15.7)	465 (18.3)	350 (13.8)	4 (0.2)	4 (0.2)	0.9 (2.0)	1.2 (2.6)	<b>NSYMB54</b>	<b>NSYMPP54</b>
600 (23.6)	400 (15.7)	565 (22.2)	350 (13.8)	4 (0.2)	4 (0.2)	1.1 (2.4)	1.4 (3.1)	<b>NSYMB64</b>	<b>NSYMPP64</b>
600 (23.6)	500 (19.7)	565 (22.2)	450 (17.7)	4 (0.2)	–	1.4 (3.1)	–	<b>NSYMB65</b>	–
700 (27.6)	500 (19.7)	665 (26.2)	450 (17.7)	4 (0.2)	4 (0.2)	1.7 (3.7)	2.1 (4.6)	<b>NSYMB75</b>	<b>NSYMPP75</b>
800 (31.5)	600 (23.6)	765 (30.1)	550 (21.7)	4 (0.2)	5 (0.2)	2.3 (5.1)	3.8 (8.4)	<b>NSYMB86</b>	<b>NSYMPP86</b>
1000 (39.4)	600 (23.6)	965 (38.0)	550 (21.7)	5 (0.2)	–	4.2 (9.3)	–	<b>NSYMB106</b>	–
1000 (39.4)	800 (31.5)	965 (38.0)	750 (29.5)	5 (0.2)	5 (0.2)	5.7 (12.6)	6.5 (14.3)	<b>NSYMB108</b>	<b>NSYMPP108</b>
1200 (47.2)	1000 (39.4)	1150 (45.3)	950 (37.4)	5 (0.2)	–	8.3 (18.3)	–	<b>NSYMB1210</b>	–

To install 2 individual plates, also order catalog number **NSYCRNGSDR**; see details on page 8/7.



### Insertable nuts

For installing devices on the mounting plate.



Supply: 50 units.



Catalog number per unit. Order in multiples of 50 (50, 100, 150, etc.).

Insertable nuts	
Thread	Catalog number
M3	<b>NSYTE3</b>
M4	<b>NSYTE4</b>
M5	<b>NSYTE5</b>
M6	<b>NSYTE6</b>
M8	<b>NSYTE8</b>
M10	<b>NSYTE10</b>
M12	<b>NSYTE12</b>



See also these accessories



Step slides for polyester enclosures  
Page 6/26



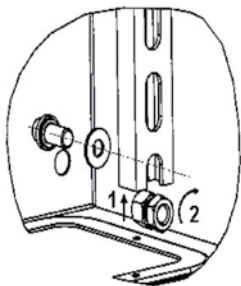
Step slides  
Page 8/7

# Mounting

## Installation accessories



For ranges  
S3DC, CRN, S3X,  
PLM



DIN mounting plate adapter  
Catalog no. **NSYAMCSF**

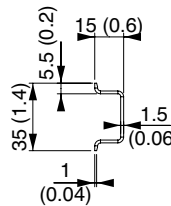
### DIN-rail chassis

- Aluminum uprights.
- Steel profiles (symmetric section type A or B according to the catalog number).
- Screws, washers and nuts required to install the mounting plate are supplied.
- Gasket adapters, catalog no. **NSYAMCSF** (batch of 4 adapters, not supplied).

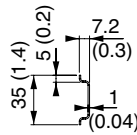


Supply: 1 DIN-rail chassis and mounting hardware.

For enclosure: mm (in.)		Type of rails	Number of rails	Catalog number
Height	Width			
300 (11.8)	300 (11.8)	B	4	<b>NSYMD33</b>
400 (15.7)	300 (11.8)	B	4	<b>NSYMD43</b>
500 (19.7)	400 (15.7)	B	4	<b>NSYMD54</b>
600 (23.6)	400 (15.7)	B	6	<b>NSYMD64</b>
600 (23.6)	600 (23.6)	A	6	<b>NSYMD66</b>
700 (27.6)	500 (19.7)	B	6	<b>NSYMD75</b>
800 (31.5)	600 (23.6)	A	6	<b>NSYMD86</b>
1000 (39.4)	800 (31.5)	A	6	<b>NSYMD108</b>
1200 (47.2)	800 (31.5)	A	7	<b>NSYMD128</b>
Batch of 4 adapters				<b>NSYAMCSF</b>



Type A



Type B



See also  
these accessories



Slides  
Page 8/7



Spacers  
Page 8/62




Profiles  
Page 8/48

# Mounting

## Installation accessories

### Step slides for mounting plate

Set of 4 supports for installation in enclosures with depths of 200, 250, 300 and 400 mm (7.9, 9.8, 11.8 and 15.7 in.). The rail allows the depth of the plate and other accessories to be adjusted in steps of 12.5 mm (0.5 in.).

 Supply: 4 sliding supports.



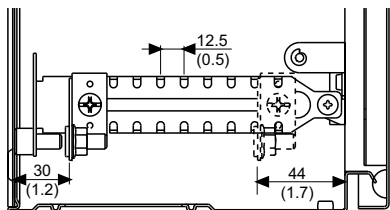
For enclosure depth: mm (in.)	Catalog number
200 (7.9)	<b>NSYSDCR200</b>
250 (9.8)	<b>NSYSDCR250</b>
300 (11.8)	<b>NSYSDCR300</b>
400 (15.7)	<b>NSYSDCR400</b>
300 (11.8)	<b>NSYSDRSDCR300 (1)</b>
400 (15.7)	<b>NSYSDRSDCR400 (1)</b>

(1) For installation in enclosures 1000 to 1200 mm (39.4 to 47.2 in.) and larger.

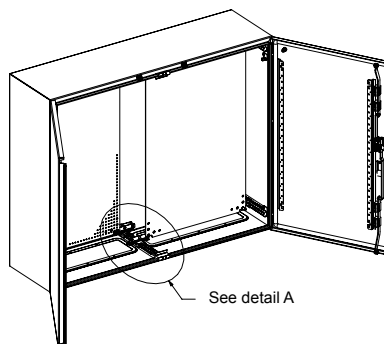
**Set of 2 sliding supports**  
**NSYCRNGSDR**

Installation of 2 mounting plates in enclosures with a width of 1000 or 1200 mm (39.4 or 47.2 in.), depth of 300 mm (11.8 in.).

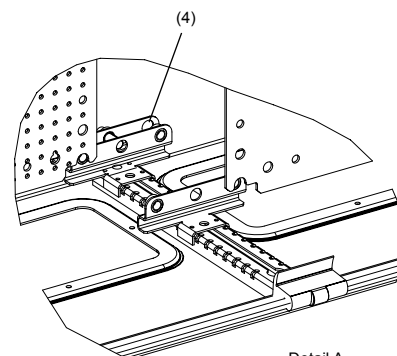
**[ For ranges  
S3DC, CRN,  
S3X ]**



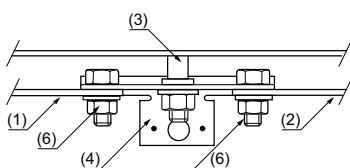
Installation of 2 plates in enclosures with a width of 1200 mm (47.2 in.).



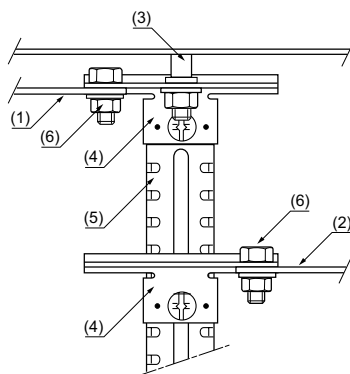
1. Installation on the backstuds



2. Two plates at different depths



- (1) Left plate
- (2) Right plate
- (3) Central backstud
- (4) NSYCRNGSDR bracket (includes mountings)
- (5) NSYSDRSDCR sliding rail
- (6) M8 x 20-mm (0.8 in.) screw



See also  
these accessories



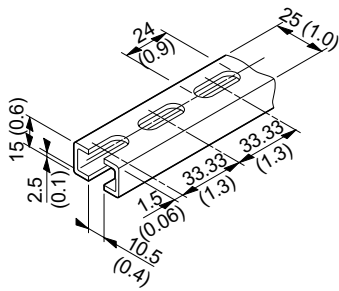
Step slides for polyester enclosures  
Page 6/26

# Mounting

## Installation accessories



For ranges  
S3DC, PLM, S3X



### Aluminum vertical rails

- Mounting in the enclosure with M8 nuts, catalog no. **NSYAMCSF** (batch of 4 adapters, ordered separately).
- Material: aluminum (length: 1200 mm [47.2 in], in steel).

Height: mm (in.)	Material	Catalog number	Quantity
300 (11.8)	Aluminum	<b>NSYMDVR3</b>	10
400 (15.7)	Aluminum	<b>NSYMDVR4</b>	10
500 (19.7)	Aluminum	<b>NSYMDVR5</b>	10
600 (23.6)	Aluminum	<b>NSYMDVR6</b>	10
700 (27.6)	Aluminum	<b>NSYMDVR7</b>	10
800 (31.5)	Aluminum	<b>NSYMDVR8</b>	10
1000 (39.4)	Aluminum	<b>NSYMDVR10</b>	10
1200 (47.2)	Steel	<b>NSYMDVR12</b>	2
Length: 3 m (118.1 in.)	Aluminum	<b>NSYMDVR3M</b>	10

### Screw with slotted hexagonal head and captive washer

Type	Catalog number				
	10 mm (0.4 in.)	12 mm (0.5 in.)	16 mm (0.6 in.)	18 mm (0.7 in.)	Nut
M4	<b>NSYS10M4H</b>	-	<b>NSYS16M4H</b>	-	<b>NSYNM4</b>
M5	-	<b>NSYS12M5H</b>	-	<b>NSYS16M4H</b>	<b>NSYNM5</b>
M6	-	<b>NSYS12M6H</b>	-	<b>NSYS18M6H</b>	<b>NSYNM6</b>

# Mounting


## Installation accessories



For ranges  
SF, SM, SFX,  
SMX

### Standard mounting brackets for mounting plate and uprights

- Brackets for installing mounting plates and uprights directly on the framework of the modular enclosures.
- Depth adjustable in steps of 25 mm (1.0 in.).
- Maximum load (4 legs): 600 kg (1322.8 lbs).
- Material: zinc-coated steel.

 Supply: 4 brackets and mounting hardware.


**Catalog number**  
**NSYSMPB**




### Slides and brackets

The slides and brackets allow the depth of the plates and rails to be adjusted.

- Length of 90 mm (3.5 in.), with bracket for enclosures with depths of 150 and 200 mm (5.9 and 7.9 in.).
- Length of 130 mm (5.1 in.), with bracket for enclosures with depths of 250 and 300 mm (9.8 and 11.8 in.).
- Bracket for slides (customized mounting plate).

 Supply: 10 units.

 Catalog number per unit. Order in multiples of 10 (10, 20, 30, etc.).



For ranges  
S3DC, CRN, S3X,  
PLM

Description	Catalog number
90-mm (3.5 in.) slide	<b>NSYSB90</b>
130-mm (5.1 in.) slide	<b>NSYSB130</b>
Bracket	<b>NSYFB</b>



See also  
these accessories



Hardware  
Page 8/65

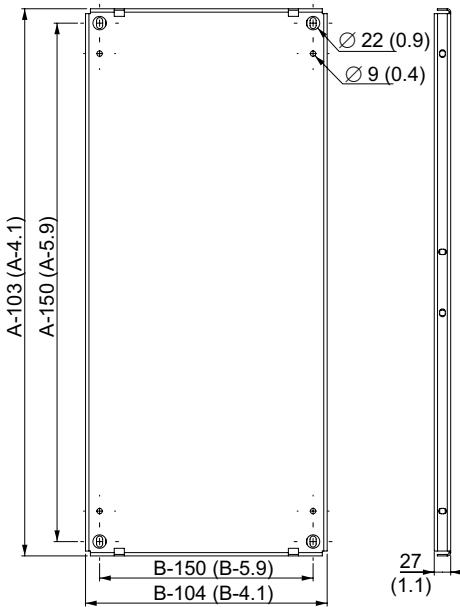


# Mounting

## Installation accessories



For ranges  
SF, SM, SFX, SMX



### Mounting plate

- The mounting plate is provided with a reinforcement flange around the entire perimeter. The vertical edges are provided with a triple fold.
- Depth adjustable with a pitch of 25 mm (1.0 in.), supplied with a plastic shoe for easier sliding.
- Once the plate is installed in the advanced position, the sliding shoe can be easily removed to increase the available plate surface.
- Material: galvanized steel.
- Maximum load: 600 kg (1322.8 lbs) in the back of the enclosure and 500 kg (1102.3 lbs) in the intermediate position.
- Installation options:
  - At the sides of the enclosure with orthogonal brackets (see page 8/13).
  - Back-to-back, with the mounting-plate brackets in back-to-back position (see page 8/16).
- In sets of two or more enclosures with mounting plates, it is possible to obtain a continuous plate surface using intermediate mounting plates (see page 8/15).

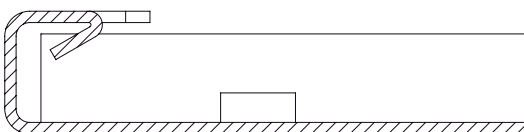
Supply: one mounting plate and sliding shoes.

Nominal dimensions: mm (in.)		Catalog number
Height (A)	Width (B)	
1200 (47.2)	600 (23.6)	NSYMP126
	800 (31.5)	NSYMP128
	1000 (39.4)	NSYMP1210
	1200 (47.2)	NSYMP1212
1400 (55.1)	600 (23.6)	NSYMP146
	800 (31.5)	NSYMP148
	1000 (39.4)	NSYMP1410
	1200 (47.2)	NSYMP1412
1600 (63.0)	600 (23.6)	NSYMP166
	800 (31.5)	NSYMP168
	1000 (39.4)	NSYMP1610
	1200 (47.2)	NSYMP1612
1800 (70.9)	600 (23.6)	NSYMP186
	800 (31.5)	NSYMP188
	1000 (39.4)	NSYMP1810
	1200 (47.2)	NSYMP1812
2000 (78.7)	1600 (63.0)	NSYMP1816
	600 (23.6)	NSYMP206
	800 (31.5)	NSYMP208
	1000 (39.4)	NSYMP2010
2200 (86.6)	1200 (47.2)	NSYMP2012
	1600 (63.0)	NSYMP2016
	600 (23.6)	NSYMP226
	800 (31.5)	NSYMP228
	1000 (39.4)	NSYMP2210
	1200 (47.2)	NSYMP2212

> Advantage:

The Spacial.pro tool helps determine the optimum dimensions of the mounting plate.

8



> Advantage:

The triple fold of the vertical edges of the mounting plate increases rigidity and reduces exposed edges.

# Mounting

## Installation accessories

### Additional supports for mounting plates installed in the back of the enclosure

- Additional supports for a mounting plate installed in the back of the enclosure. The supports can be installed at any point along the height of the plate.
- The supports minimize the vibration of the plate during transport and operation.
- The supports are attached to the enclosure structure with the mounting plate already installed in the back of the enclosure.
- **Spacial® SM:** the supports mount to 40-mm (1.6 in.) universal cross rails (1 row), installed vertically in the back of the enclosure, see page 8/35.
- Material: zinc-coated steel.



Supply: ten units and mounting hardware.



Catalog number by unit. Order in multiples of 10 (10, 20, 30...).

Catalog number

**NSYSMPFB**

### Additional supports for mounting plates installed in the forward position in the enclosure

- Additional supports for a mounting plate installed in the forward position. The supports can be installed at any point along the height of the plate.
- The supports minimize the vibration of the plate during transport and operation.
- The supports are mounted on light cross rails or on 40-mm (1.6 in.) (1 row) universal (page 8/35) or quick-mounting (page 8/37) cross rails (not supplied).
- Material: zinc-coated steel.



Supply: ten units and mounting hardware.



Catalog number by unit. Order in multiples of 10 (10, 20, 30...).

Catalog number

**NSYSMPFA**

# Mounting

## Installation accessories



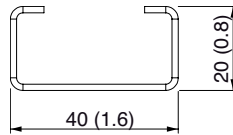
### Reinforcement for mounting plate

- Reinforcement kit for transversal mounting plate.
- Provides extra rigidity to the mounting plates and absorbs vibrations.
- Can be used as a support for mounting heavy elements.
- Material: zinc-coated steel.
- Thickness: 1.5 mm (0.06 in.).



Supply: two profiles, four mounting-plate supports and mounting hardware.

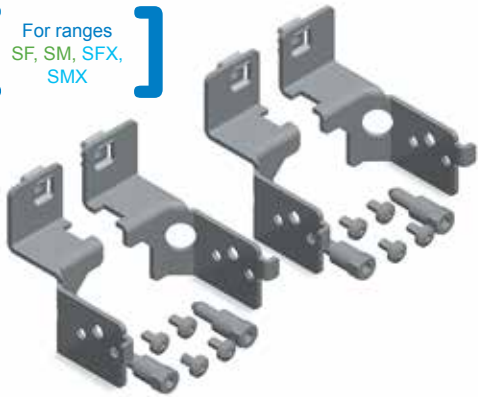
Nominal dimensions: mm (in.)	Catalog number
Width	
800 (31.5)	<b>NSYMPRK8</b>
1000 (39.4)	<b>NSYMPRK10</b>
1200 (47.2)	<b>NSYMPRK12</b>
1600 (63.0)	<b>NSYMPRK16</b>



# Mounting

## Installation accessories

For ranges  
SF, SM, SFX,  
SMX



### Mounting plate brackets

- Brackets for directly attaching mounting plates to the enclosure structure.
- Adjustable depth with a pitch of 25 mm (1.0 in.).
- Maximum load (4 brackets): 600 kg (1322.8 lbs).
- Material: zinc-coated steel.



Supply: four brackets and mounting hardware.

Catalog number	For enclosure
<b>NSYSFPB</b>	Spacial SF
<b>NSYSMPB</b>	Spacial SM, Spacial SFX, Spacial SMX

For ranges  
SF, SFX



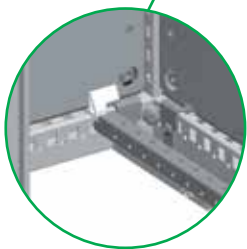
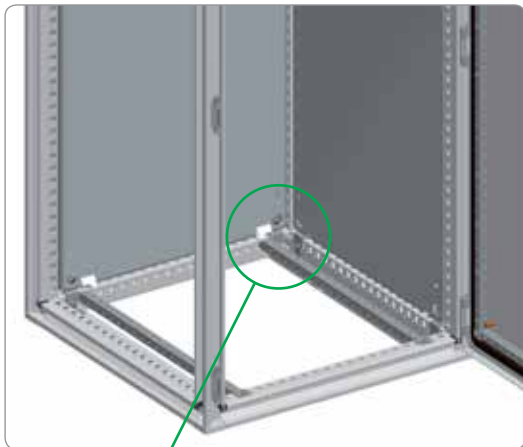
### Orthogonal brackets

- Orthogonal brackets for installing mounting plates on the sides of the enclosure.
- If one mounting plate is installed in the back of the enclosure and one at the side, they must both be installed using orthogonal brackets.
- Maximum load (4 brackets): 600 kg (1322.8 lbs).
- Material: zinc-coated steel.
- Spacial SFX: in order to mount the lateral mounting plate, is necessary to remove the plate and mounting brackets in the back.



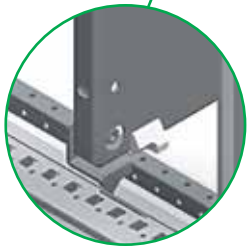
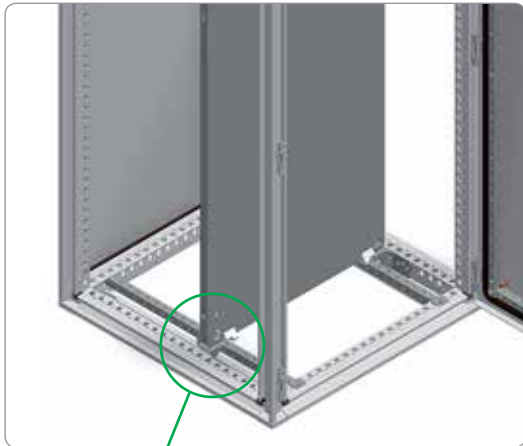
Supply: four brackets and mounting hardware.

Catalog number
<b>NSYSMPB</b>



# Mounting

## Installation accessories



[ For ranges  
SF ]

### Mounting plate sliding rails

- Rails for sliding the mounting plate into the enclosure.
- Once the mounting plate is installed and mounted to the brackets, the sliding rails can be removed to maximize cable passage surface, and can be installed depthwise in other positions.
- Material: zinc-coated steel.



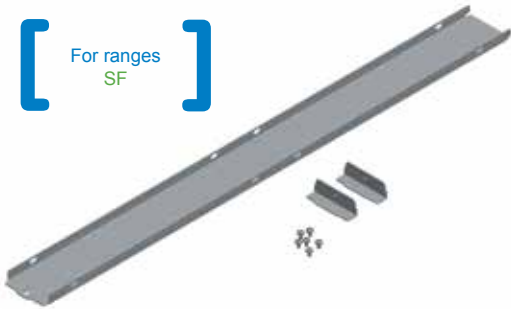
Supply: two rails and mounting hardware.

Nominal dimensions: mm (in.)	Catalog number
Depth	
400 (15.7)	<b>NSYSMPS4</b>
500 (19.7)	<b>NSYSMPS5</b>
600 (23.6)	<b>NSYSMPS6</b>
800 (31.5)	<b>NSYSMPS8</b>

# Mounting

## Installation accessories

[ For ranges SF ]



### Intermediate mounting plate

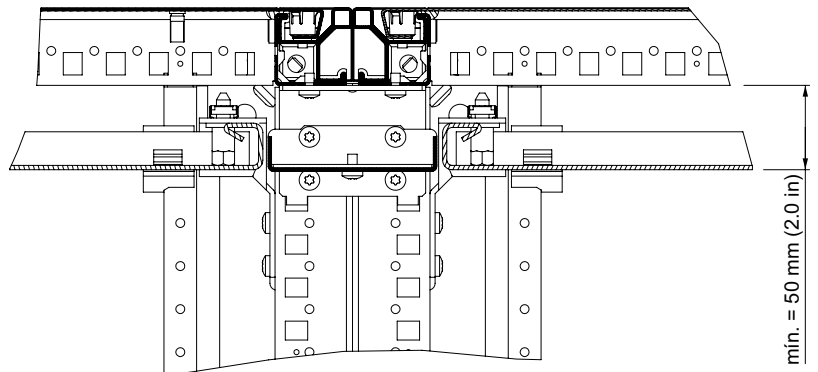
- Intermediate plate used to obtain a continuous mounting plate surface where enclosure modules join.
- Adjustable depth with a pitch of 25 mm (1.0 in.). When the mounting plates are located in the back of the enclosure, the vertical profiles of the structure are flush with the plates, acting as an intermediate mounting plate. In this case the intermediate plate cannot be installed.
- Material: galvanized steel.



Supply: one intermediate plate and mounting hardware.



Nominal dimensions: mm (in.)	Catalog number
Height (A)	
1200 (47.2)	<b>NSYSIMP12</b>
1400 (55.1)	<b>NSYSIMP14</b>
1600 (63.0)	<b>NSYSIMP16</b>
1800 (70.9)	<b>NSYSIMP18</b>
2000 (78.7)	<b>NSYSIMP20</b>
2200 (86.6)	<b>NSYSIMP22</b>




# Mounting

## Installation accessories

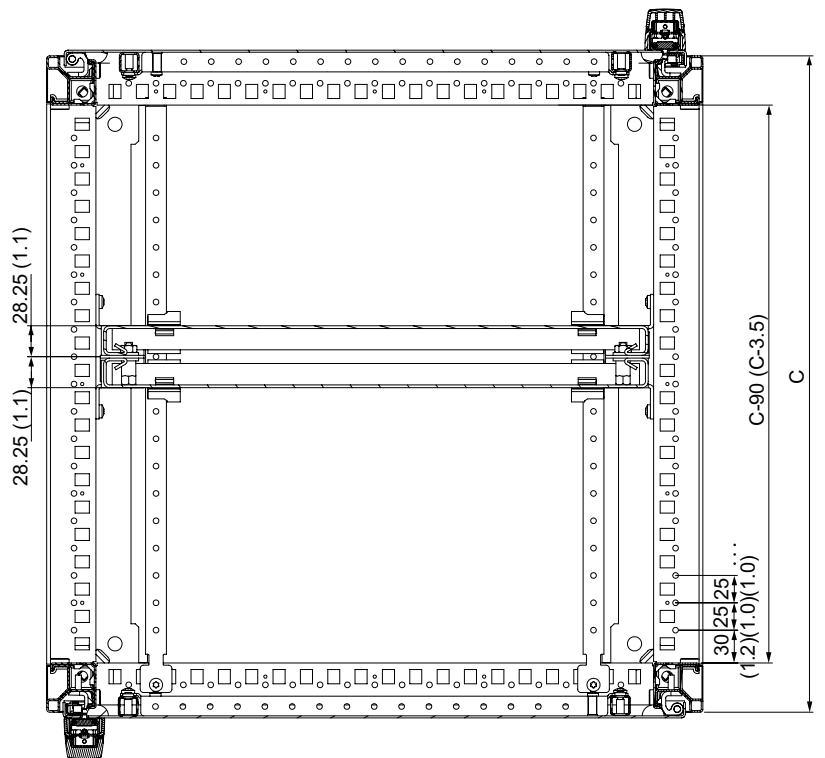


### Brackets for installing mounting plates in back-to-back position

- Brackets for installing two mounting plates, in back-to-back position, doubling the mounting surface.
- Adjustable with a pitch of 25 mm (1.0 in.).
- Material: zinc-coated steel.

 Supply: four brackets and mounting hardware.

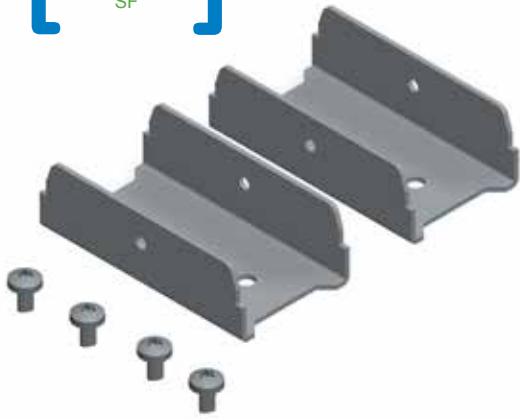
**Catalog number**  
NSYSBTB



# Mounting

## Installation accessories

[ For ranges SF ]



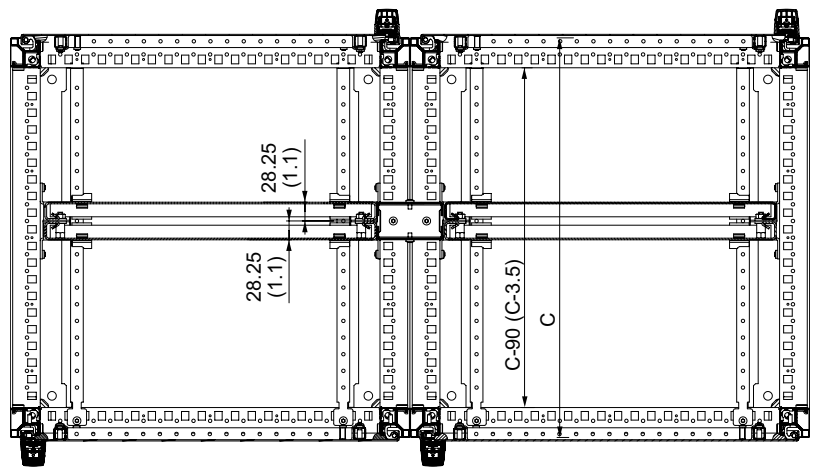
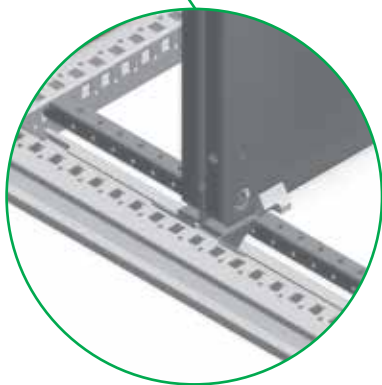
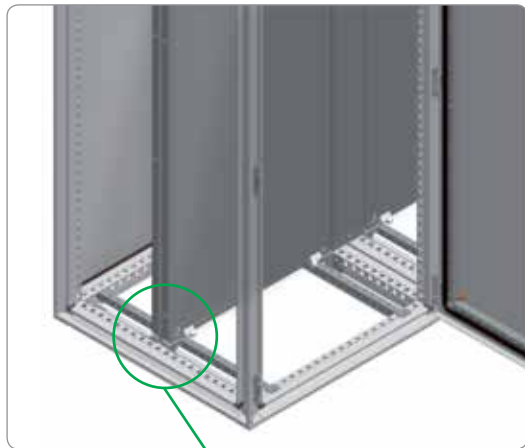
### Brackets for installing intermediate mounting plates in back-to-back position

- Brackets for installing two intermediate mounting plates, in back-to-back position, doubling the mounting surface.
- Adjustable with a pitch of 25 mm (1.0 in.).
- Material: zinc-coated steel.



Supply: 2 brackets and mounting hardware.

**Catalog number**  
NSYSIBTB





# Mounting


## Installation accessories

For ranges SF, SFX



### Side entry rails for the mounting plate

- Side entry rails for the mounting plates when joining **Spacial SF** or **Spacial SFX** enclosures.
- The mounting plates can be joined with one another, and are attached to the side entry guide by pressure.
- Material: zinc-coated steel.

 Supply: two rails and mounting hardware.

Nominal dimensions: mm (in.)	Catalog number
Width (B)	
600 (23.6)	<b>NSYSMPSE6</b>
800 (31.5)	<b>NSYSMPSE8</b>
1000 (39.4)	<b>NSYSMPSE10</b>
1200 (47.2)	<b>NSYSMPSE12</b>

Length of joined Spacial SF enclosures: mm (in.)	Example of Spacial SF enclosure combination width: mm (in.) (B)	Example of combining mounting plates by width: mm (in.)	Useful length: mm (in.)
1200 (47.2)	1200 (47.2)	600 + 800 (23.6 + 31.5)	1192 (46.9)
1400 (55.1)	600 + 800 (23.6 + 31.5)	600 + 1000 (23.6 + 39.4)	1392 (54.8)
1600 (63.0)	2 × 800 (2 × 31.5)	800 + 1000 (31.5 + 39.4)	1592 (62.7)
1800 (70.9)	3 × 600 (3 × 23.6)	800 + 1200 (31.5 + 47.2)	1792 (70.6)
2000 (78.7)	2 × 1000 (2 × 39.4)	1000 + 1200 (39.4 + 47.2)	1992 (78.4)
2200 (86.6)	600 + 2 × 800 (23.6 + 2 × 31.5)	1200 + 1200 (47.2 + 47.2)	2192 (86.3)
2400 (94.5)	3 × 800 (3 × 31.5)	1600 + 1000 (63.0 + 39.4)	2392 (94.2)
		3 × 600 + 1000 (3 × 23.6 + 39.4)	2384 (93.9)
2600 (102.4)	2 × 1000 + 600 (2 × 39.4 + 23.6)	1600 + 1200 (63.0 + 47.2)	2592 (102.0)
		3 × 600 + 1200 (3 × 23.6 + 47.2)	2584 (101.7)
2800 (110.2)	2 × 1000 + 800 (2 × 39.4 + 31.5)	4 × 800 (4 × 31.5)	2784 (109.6)
3000 (118.1)	3 × 1000 (3 × 39.4)	3 × 800 + 1000 (3 × 31.5 + 39.4)	2984 (117.5)
3200 (126.0)	2 × 1000 + 1200 (2 × 39.4 + 47.2)	3 × 800 + 1200 (3 × 31.5 + 47.2)	3184 (125.4)
3400 (133.9)	3 × 800 + 1000 (3 × 31.5 + 39.4)	800 + 3 × 1000 (31.5 + 3 × 39.4)	3384 (133.2)
3600 (141.7)	3 × 1200 (3 × 47.2)	4 × 1000 (4 × 39.4)	3584 (141.1)
3800 (149.6)	800 + 3 × 1000 (31.5 + 3 × 39.4)	600 + 3 × 1200 (23.6 + 3 × 47.2)	3784 (149.0)
4000 (157.5)	4 × 1000 (4 × 39.4)	800 + 3 × 1200 (31.5 + 3 × 47.2)	3984 (156.9)

# Mounting


## Installation accessories

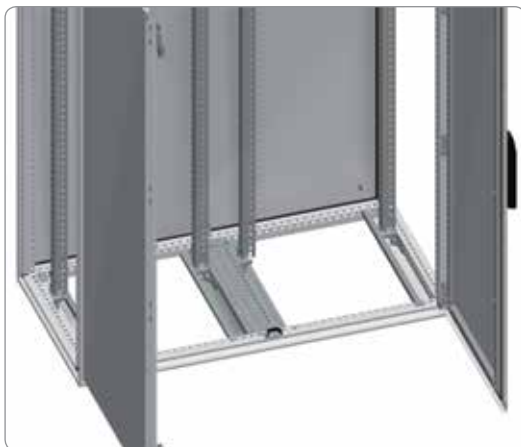
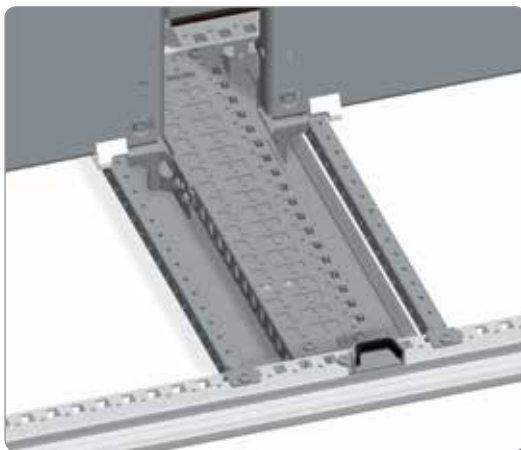
[ For ranges SF ]



### Kit for adapting two-door enclosures

- Allows the installation of two mounting plates, as if in two independent enclosures.
- A set of mounting plate brackets, catalog no. **NSYSMPB**, is required for this.
- Option of installing an intermediate mounting plate.
- For use on enclosures with widths of 1200 and 1600 mm (47.2 and 63.0 in.).
- If you are installing a cable-gland plate for a width of 1200 mm (47.2 in.), it is necessary to install two plates with a width of 600 mm (23.6 in.); and for widths of 1600 mm (63.0 in.), it is necessary to install two plates with a width of 800 mm (31.5 in.).

 Supply: two 90-mm (3.5 in.) cross rails, cable-gland plate support, 2 brackets for central mounting of the roof and mounting hardware.



Nominal dimensions: mm (in.)	Catalog number
Depth (C)	
400 (15.7)	<b>NSYSMP2D4</b>
500 (19.7)	<b>NSYSMP2D5</b>
600 (23.6)	<b>NSYSMP2D6</b>
800 (31.5)	<b>NSYSMP2D8</b>

# Mounting

## Installation accessories



[ For ranges SF ]

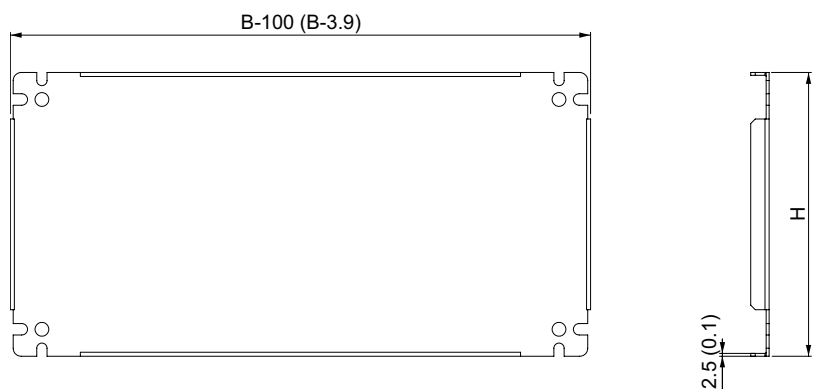
### Partial mounting plate

- Partial mounting plate, provided with reinforcement flange on its four sides.
- Mounting options:
  - **Spacial SF, SFX:**
    - Mounting to the vertical uprights of the structure.
    - Mounting to the technical or standard vertical uprights, see page 8/23.
    - For installations in the forward position, mounting to cross-rails, see page 8/35.
  - **Spacial SM:**
    - Mounting with adaptation profiles and 40-mm (1.6 in.) universal cross-rails (1 row) in vertical position, or on horizontal universal cross-rails.
    - The plate can also be mounted horizontally, as a tray, with depthwise cross rails, see page 8/35.
- Material: galvanized steel.



Supply: partial mounting plate and mounting hardware.

Nominal dimensions: mm (in.)	Plate height: mm (in.) (H)	Plate length: mm (in.) (B-100)	Catalog number
Width (B)			
600 (23.6)	247 (9.7)	500 (19.7)	<b>NSYSPMP2560</b>
	247 (9.7)	750 (29.5)	<b>NSYSPMP2575</b>
	397 (15.6)	500 (19.7)	<b>NSYSPMP4060</b>
	597 (23.5)	500 (19.7)	<b>NSYSPMP6060</b>
800 (31.5)	247 (9.7)	700 (27.6)	<b>NSYSPMP2580</b>
	397 (15.6)	700 (27.6)	<b>NSYSPMP4080</b>
	597 (23.5)	700 (27.6)	<b>NSYSPMP6080</b>
1000 (39.4)	247 (9.7)	900 (35.4)	<b>NSYSPMP25100</b>
	397 (15.6)	900 (35.4)	<b>NSYSPMP40100</b>
	597 (23.5)	900 (35.4)	<b>NSYSPMP60100</b>
1200 (47.2)	247 (9.7)	1100 (43.3)	<b>NSYSPMP25120</b>
	397 (15.6)	1100 (43.3)	<b>NSYSPMP40120</b>
	597 (23.5)	1100 (43.3)	<b>NSYSPMP60120</b>
1600 (63.0)	397 (15.6)	1100 (43.3)	<b>NSYSPMP40160</b>



### Self-tapping screw

- Self-tapping screw, hexagonal head, 4.8 × 16 mm (0.2 × 0.6 in.) thread.
- Drilling capacity: thicknesses between 1.75 and 4 mm (0.07 and 0.2 in.).



Supply: 100 units.

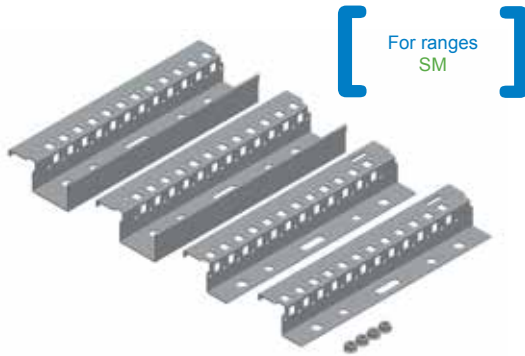


Order in multiples of 100 (100, 200, 300, etc.).

**Catalog number**  
**NSYS16M5HS**

# Mounting

## Installation accessories



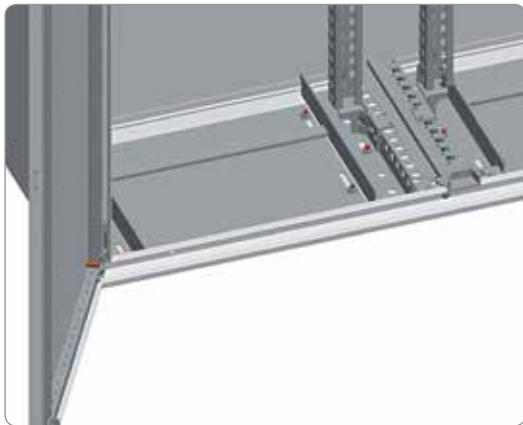
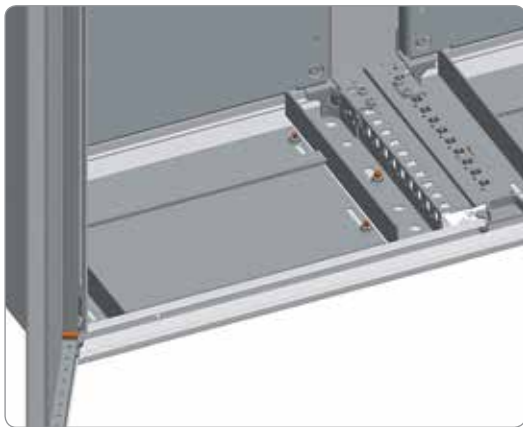
### Top/bottom adjustment rails

- Allows the installation of two mounting plates or vertical uprights in enclosures with a width of 1200 mm (47.2 in.), as if in two independent enclosures.
- A set of mounting plate brackets, catalog no. **NSYSMPB**, is required for this.
- Optional installation of an intermediate mounting plate.



Supply: 2 rails, top and bottom, and mounting hardware.

Nominal dimensions: mm (in.)	Catalog number
Depth	
300 (11.8)	<b>NSYSTBR3</b>
400 (15.7)	<b>NSYSTBR4</b>
500 (19.7)	<b>NSYSTBR5</b>
600 (23.6)	<b>NSYSTBR6</b>



# Mounting

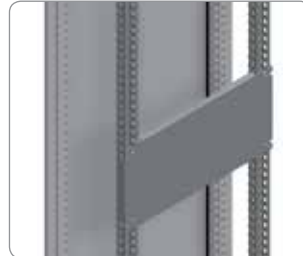
## Installation accessories

### Examples of partial mounting plate installation

• Spacial SF, SFX:



(1)\*\* Plate mounted on structure.



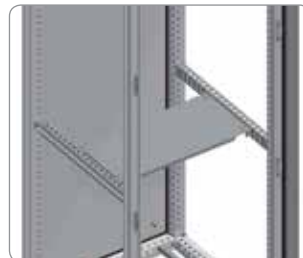
(2)\* Plate mounted on technical vertical uprights.



(3)\* Plate mounted on standard vertical uprights.



(4) Plate mounted on cross rails.



(5) Plate mounted on cross rails, horizontal mounting.

\*Mounting hardware not supplied.

\*\* Not possible in Spacial SFX enclosures.

• Spacial SM, SMX:



(1)\* Plate mounted on technical vertical uprights.



(2)\* Plate mounted on standard vertical uprights.



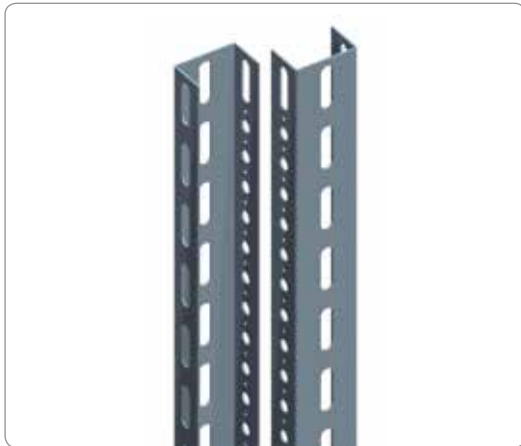
(3)\*\* Plate mounted on cross rails.

\*Mounting hardware not supplied.

\*\* Not possible in Spacial SMX enclosures.

# Mounting

## Installation accessories



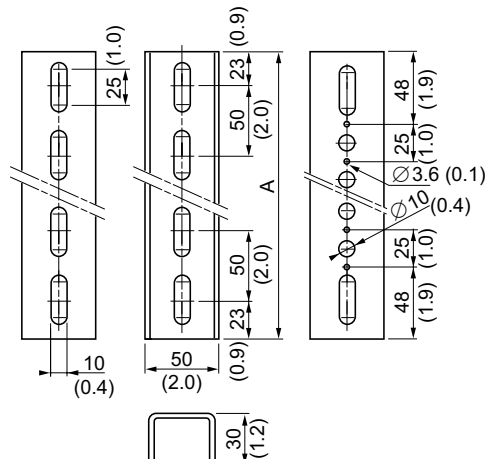
### Standard uprights

- Vertical uprights for mounting plates and rails.
- The uprights can be attached to the mounting plate brackets or on the upright mounting bracket, catalog no. **NSYMF8**.
- Adjustable height with a pitch of 25 or 50 mm (1.0 or 2.0 in.).
- Material: galvanized steel.
- Thickness: 2 mm (0.08 in.).



Supply: two standard vertical uprights.

Nominal dimensions: mm (in.)	Catalog number
Height (A)	Standards
1800 (70.9)	<b>NSYVR18</b>
2000 (78.7)	<b>NSYVR20</b>
2200 (86.6)	<b>NSYVR22</b>



### Nuts and screws for standard uprights

- Flat nut for standard uprights.
- Hexagonal screw with washer.

Nuts and screws for standard vertical upright	Supply (units)	Catalog number
M6 flat nut	50	<b>NSYFNM6</b>
M8 flat nut	50	<b>NSYFNM8</b>
M6 × 12 screw	100	<b>NSYS12M6H</b>
M6 × 16 screw	100	<b>NSYS16M6H</b>
M6 × 18 screw	100	<b>NSYS18M6H</b>
M8 × 16 screw	100	<b>NSYS16M8H</b>
M8 × 20 screw (1)	100	<b>NSYS20M8H</b>

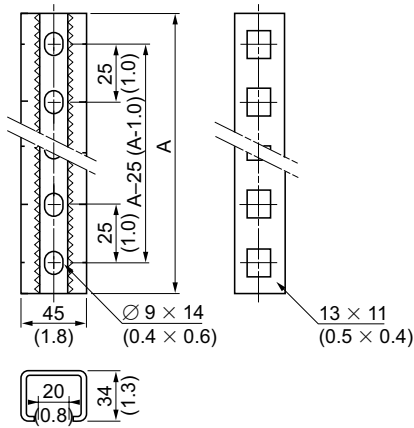
(1) Screw without captive washer.



Catalog number by unit. Order in multiples of 50 (flat nuts) and 100 (screws).

# Mounting

## Installation accessories



### Technical uprights

- Vertical uprights for mounting plates and rails.
- The uprights can be attached to the mounting plate brackets or to the upright-mounting bracket (catalog no. **NSYMF8**).
- Adjustable height in steps of 2.5 mm (0.1 in.) (with quarter-turn nuts, catalog no. **NSYSNM6** or **NSYSNM8**) or 25 mm (with caged nuts, catalog no. **NSYCNFM6** or **NSYCNFM8**).
- Material: zinc-coated steel.
- Thickness: 2 mm (0.08 in.).

Supply: 2 standard uprights.

Dimensions	Catalog number
750 (29.5)	<b>NSYTVR7</b>
850 (33.5)	<b>NSYTVR8</b>
1000 (39.4)	<b>NSYTVR10</b>
1200 (47.2)	<b>NSYTVR12</b>
1250 (49.2)	<b>NSYTVR125</b>
1400 (55.1)	<b>NSYTVR14</b>
1500 (59.1)	<b>NSYTVR15</b>
1600 (63.0)	<b>NSYTVR16</b>
1800 (70.9)	<b>NSYTVR18</b>
2000 (78.7)	<b>NSYTVR20</b>
2200 (86.6)	<b>NSYTVR22</b>

### Nuts and screws for technical uprights

- Clip-on quarter-turn sliding nuts.
- Hexagonal screw with washer.

Nuts and screws for technical upright	Supply (units)	Catalog number
M6 quarter-turn sliding nut (1)	10	<b>NSYSNM6</b>
M8 quarter-turn sliding nut (1)	10	<b>NSYSNM8</b>
M6 × 12 screw	100	<b>NSYS12M6H</b>
M6 × 16 screw	100	<b>NSYS16M6H</b>
M6 × 18 screw	100	<b>NSYS18M6H</b>
M8 × 16 screw	50	<b>NSYS16M8H</b>
M8 × 20 screw	10	<b>NSYS20M8H</b>

(1) Catalog no. **NSYSNM6** and **NSYSNM8**

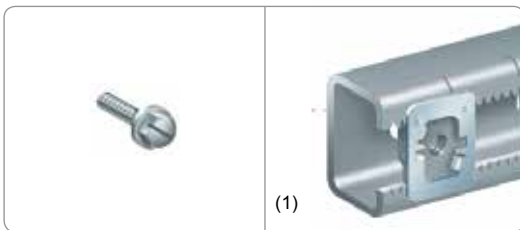
Catalog number by unit. Order in multiples of 10, 50 or 100, according to the supplied units.

- The nuts are for installation in the 13 × 11 mm (0.5 × 0.4 in.) holes of the structure, the technical uprights and the cross-rails, every 25 mm (1.0 in.).

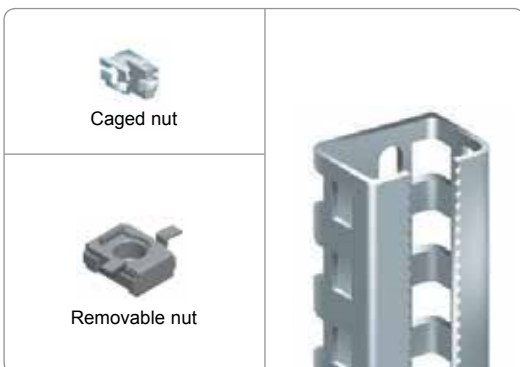
Nuts for technical vertical upright	Catalog number
M6 caged nut	<b>NSYCNFM6</b>
M8 caged nut	<b>NSYCNFM8</b>
M6 removable nut	<b>NSYCNM6</b>
M8 removable nut	<b>NSYCNM8</b>

Supply: 50 units.

Catalog number by unit. Order in multiples of 50 (50, 100, 150...).



**[** For ranges SF, SFX, SMX **]**



# Mounting

## Installation accessories



### Bracket for mounting uprights

- Brackets for mounting the uprights, standard or technical, at the same level as the structure, obtaining a greater working surface inside the enclosure.
- They allow two pairs of uprights to be mounted back to back, doubling the working surface.
- The brackets are mounted to the structure with M6 self-tapping screws.
- Adjustable depth with a pitch of 25 mm (1.0 in.).
- Material: zinc-coated steel.



Supply: four brackets for mounting uprights and mounting hardware.

Catalog number

NSYMFB



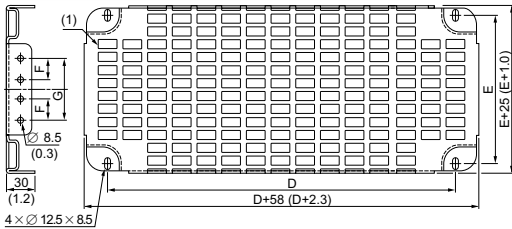


# Mounting

## Installation accessories



For ranges  
SF, SM, SFX,  
SMX



(1) 11 × 26 perforations in steps of 15 × 30.

### Telequick partial mounting plate

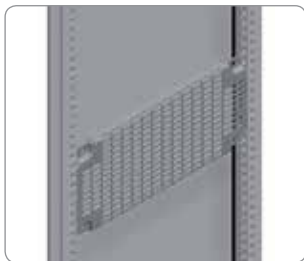
- Allows the installation of switchgear without having to drill holes or install screws.
- Plate is designed for quick mounting of switchgear with clip-on nuts, catalog no. **NSYKNM3** to **NSYKNM6**. See page 8/27.
- Mounting options:
  - Directly to the vertical uprights of the structure, with self-tapping screws (Spacial SF only).
  - To the vertical equipment uprights, with sliding nuts, page 8/24; to the standard uprights with flat nuts, page 8/23 or self-tapping screws; and to the mounting cross-rails.
- Vertical continuity is maintained by vertical mounting of plates.
- The top plate must be mounted in the third hole, 80 mm (3.1 in.) from the top frame.
- Material: zinc-coated steel.



Supply: 1 perforated mounting plate and mounting hardware.

Nominal dimensions: mm (in.)	Plate height: mm (in.)				Usable surface (dm <sup>2</sup> )	Catalog number	
	Width (B)	D	E	F			G
600 (23.6)		450 (17.7)	200 (7.9)	-	100 (3.9)	11.4	<b>NSYSTMP2260</b>
		450 (17.7)	425 (16.7)	-	325 (12.8)	22.8	<b>NSYSTMP4560</b>
		450 (17.7)	575 (22.6)	125 (4.9)	475 (18.7)	30.4	<b>NSYSTMP6060</b>
		450 (17.7)	800 (31.5)	250 (9.8)	700 (27.6)	41.9	<b>NSYSTMP8260</b>
800 (31.5)		650 (25.6)	200 (7.9)	-	100 (3.9)	15.9	<b>NSYSTMP2280</b>
		650 (25.6)	425 (16.7)	-	325 (12.8)	31.8	<b>NSYSTMP4580</b>
		650 (25.6)	575 (22.6)	125 (4.9)	475 (18.7)	42.4	<b>NSYSTMP6080</b>
		650 (25.6)	800 (31.5)	250 (9.8)	700 (27.6)	58.4	<b>NSYSTMP8280</b>
1000 (39.4)		850 (33.5)	200 (7.9)	-	100 (3.9)	20.4	<b>NSYSTMP22100</b>
		850 (33.5)	425 (16.7)	-	325 (12.8)	40.8	<b>NSYSTMP45100</b>
		850 (33.5)	575 (22.6)	125 (4.9)	475 (18.7)	54.4	<b>NSYSTMP60100</b>
		850 (33.5)	800 (31.5)	250 (9.8)	700 (27.6)	74.9	<b>NSYSTMP82100</b>
1200 (47.2)		1050 (41.3)	200 (7.9)	-	100 (3.9)	24.9	<b>NSYSTMP22120</b>
		1050 (41.3)	425 (16.7)	-	325 (12.8)	49.9	<b>NSYSTMP45120</b>
		1050 (41.3)	575 (22.6)	125 (4.9)	475 (18.7)	66.5	<b>NSYSTMP60120</b>
		1050 (41.3)	800 (31.5)	250 (9.8)	700 (27.6)	91.5	<b>NSYSTMP82120</b>
1600 (63.0)	Order two 800-mm (31.5 in.) plates						

### Examples of installation on Spacial SF



(1) Perforated mounting plate on structure.



(2) Perforated mounting plate on technical uprights.



(3) Perforated mounting plate on standard uprights.



(4) Perforated mounting plate on cross-rails.



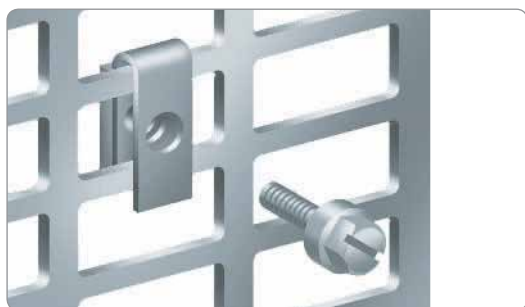
See also  
these accessories



Hardware and nuts  
Page 8/65

# Mounting

## Installation accessories



### Clip-on nuts

- Clip-on nuts for Telequick mounting plate.
- Used for mounting switchgear.



Supply: 100 units.



Catalog number per unit. Order in multiples of 100 (100, 200, 300, etc.).

Type	Catalog number
M3	<b>NSYKNM3</b>
M4	<b>NSYKNM4</b>
M5	<b>NSYKNM5</b>
M6	<b>NSYKNM6</b>



See also  
these accessories



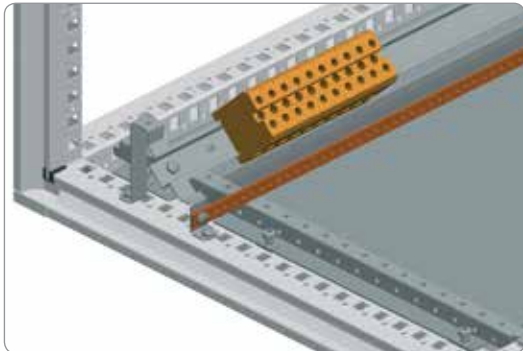
Plastic cable support  
catalog no. **NSYSPC**  
Page 8/88



Lyre-shaped clamp for plate  
catalog no. **NSYGCR**  
Page 8/89

# Mounting

## Installation accessories



### Combined support bracket

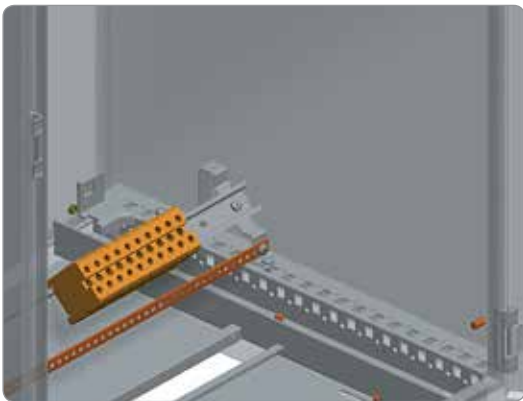
- Allows the installation of a DIN rail and a grounding strip on different planes, to minimize the cable radius.
- **Spacial SF** installation: directly on the structure and/or using mounting plates.
- **Spacial SM** installation: on the bottom adjustment rails and/or on mounting plates.
- Material: zinc-coated steel.



Supply: ten combined support brackets and mounting hardware.

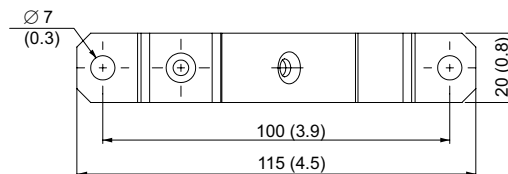
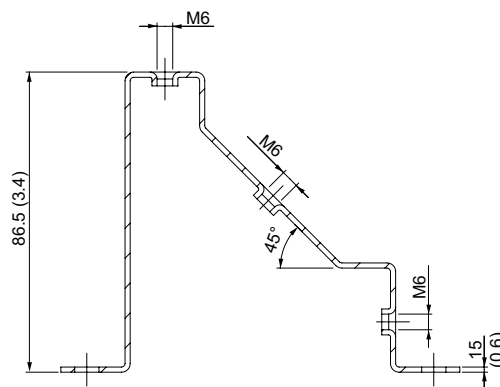


Catalog number by unit. Order in multiples of 10 (10, 20, 30...).



#### Catalog number

**NSYETF**



### Combined mounting lugs for the grounding strip

- The lugs allow mounting of a ground-collector rail at the bottom of the enclosure and a DIN rail.
- Tilted to 30°.
- Grounding strip, catalog no. **NSYECB1M153**. See page 8/103.



Supply: 2 mounting lugs and mounting hardware.

#### Catalog number

**NSYEDCOC**



# Mounting

## Installation accessories



For ranges  
SF, SM, SFX, SMX

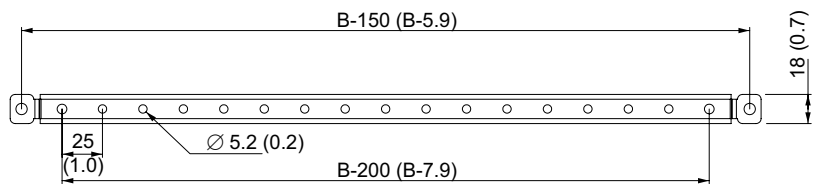
### Door cross rails

- Door cross rails mount directly on the profiles of the door's reinforcement frame.
- Adjustable height with a pitch of 25 mm (1.0 in.).
- Material: galvanized steel.
- Thickness: 2 mm (0.08 in.).



Supply: two cross rails and mounting hardware.

Nominal dimensions: mm (in.)	Catalog number
Width (B)	
400 (15.7)	<b>NSYSDCR4</b>
500 (19.7)	<b>NSYSDCR5</b>
600 (23.6)	<b>NSYSDCR6</b>
800 (31.5)	<b>NSYSDCR8</b>
1000 (39.4)	<b>NSYSDCR10</b>



# Mounting

## Installation examples

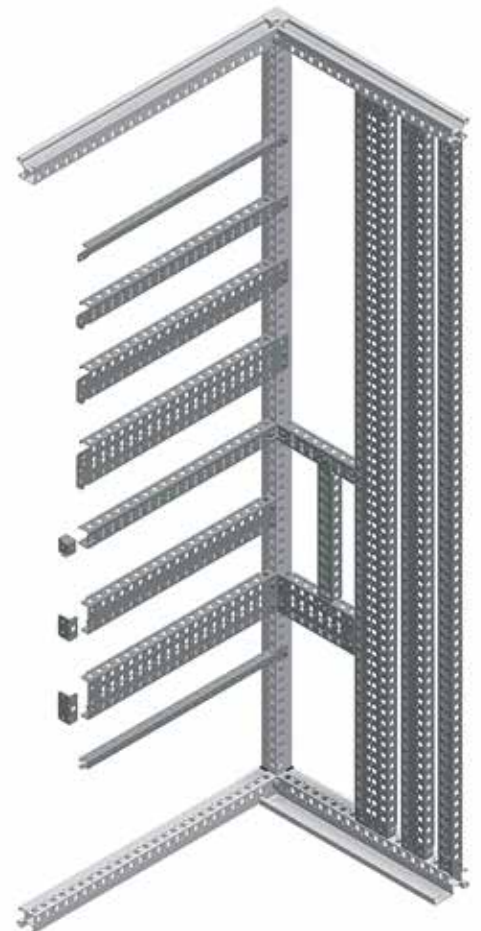
### Combination examples

In the **Spacial SF, SM, SFX** and **SMX** enclosures, it is possible to create a mounting point anywhere inside the enclosure, providing mounting planes with different widths, heights and depths.

In the case of the **Spacial SM**, it may be necessary to install vertical/horizontal adaptation profiles and 40-mm (1.6 in.) universal cross rails (1 row).

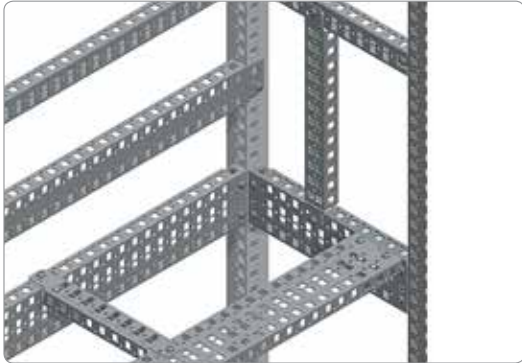
For the formation of structures inside the enclosure, it is possible to combine three types of cross rails:

- Universal cross rails of 40 mm (1.6 in.) (1 row), 65 mm (2.6 in.) (2 rows) and 90 mm (3.5 in.) (3 rows).
- Quick-mounting cross rails of 40 mm (1.6 in.) (1 row), 65 mm (2.6 in.) (2 rows) and 90 mm (3.5 in.) (3 rows).
- Light cross rails.
- Mounting plate sliding rails, see page **8/14**.

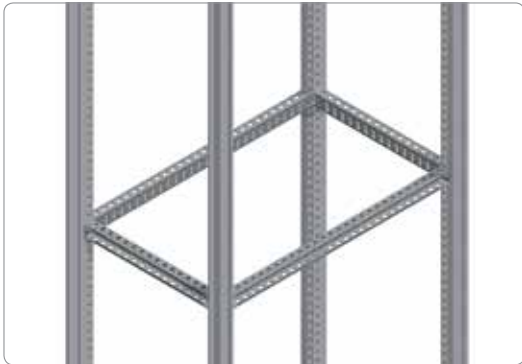


# Mounting

## Installation examples



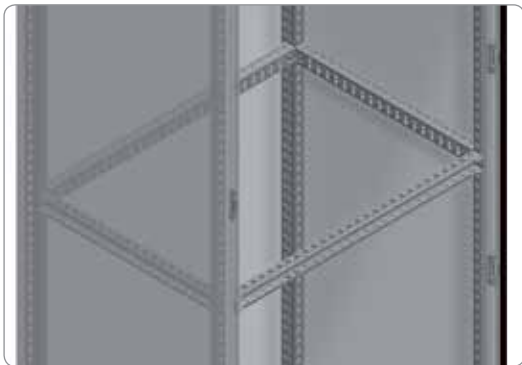
**Spacial SF and SFX:** the cross rails can be mounted to the structure and to each



other, offering multiple possibilities.

The universal cross rails allow installations at the same level, around the entire perimeter of the enclosure.

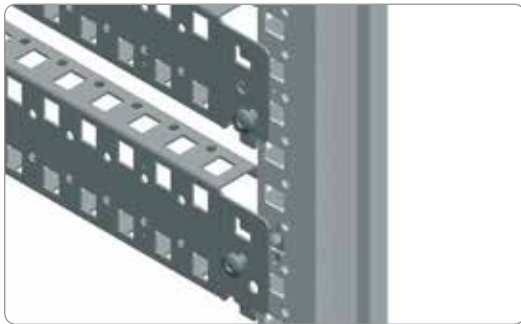
To perform this type of installation in a **Spacial SM** enclosure, the vertical adaptation profile and the vertical 40-mm (1.6 in.) universal cross rail (1 row) are required, mounted in the back of the enclosure.



**Spacial SF:** the universal cross rails can be installed in a vertical position.

# Mounting

## Installation examples



The quick-mounting cross rails can be attached directly to the structure quickly and easily.

- **Spacial SF and SFX\*:**

- The cross rails clip onto the structure and are secured with M6 self-tapping screws, or optionally with M6 caged nuts.

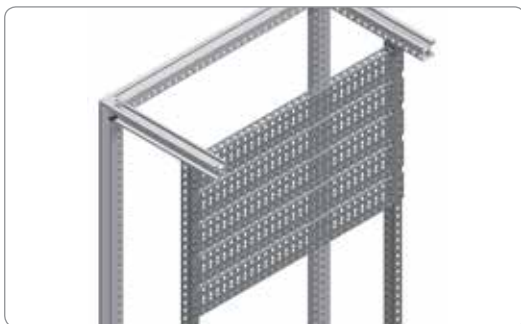
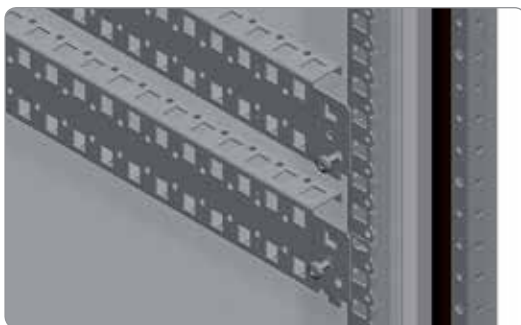
- **Spacial SM:**

- The cross rails can be clipped onto the adaptation profile or another cross rail.
- Mounting with M6 self-tapping screws.
- Mounting with M6 caged nuts.

\* In Spacial SFX enclosures, it is not possible to mount the cross rails depthwise.



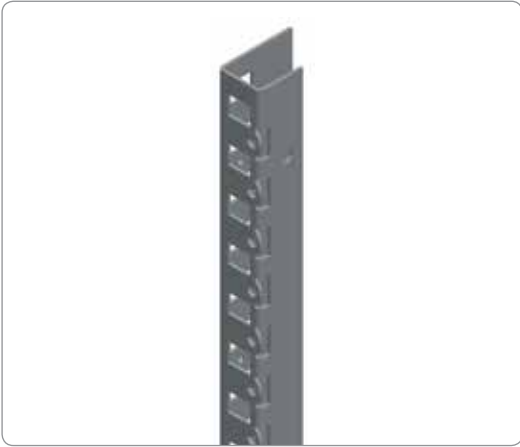
The quick-mounting cross rails can be used as a support for equipment in the back of the enclosure or offset with a pitch of 25 mm (1.0 in.), using two universal cross rails in vertical position.



The main mounting point on the quick-mounting cross rails is a 5.2 mm (0.2 in.) drill hole for an M6 self-tapping screw. The drill holes can also receive M6 and M8 caged nuts.

# Mounting

## Installation accessories

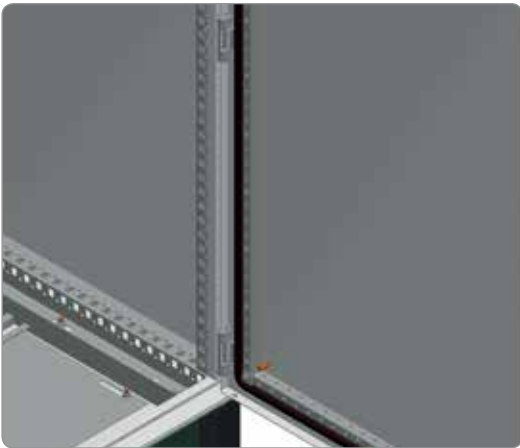


### Vertical adaptation profiles

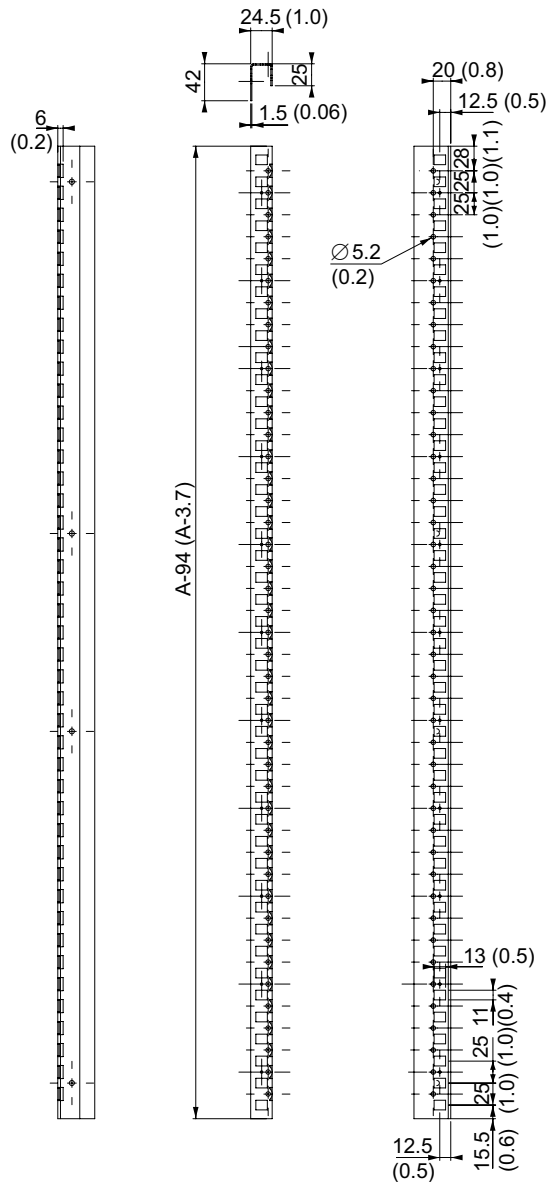
- The vertical adaptation profiles provide mounting points at the entrance to the enclosure.
- The profiles mount on the screws of the hinge and lock catches.
- They allow depthwise mounting of cross rails and other mounting hardware.
- Material: steel.
- Thickness: 1.5 mm (0.06 in.).
- Finish: zinc-coated.

 Supply: 2 vertical adaptation profiles and mounting screws.

Nominal height (mm) (A)	Catalog number
1200 (47.2)	<b>NSYSMVR12</b>
1400 (55.1)	<b>NSYSMVR14</b>
1600 (63.0)	<b>NSYSMVR16</b>
1800 (70.9)	<b>NSYSMVR18</b>
2000 (78.7)	<b>NSYSMVR20</b>



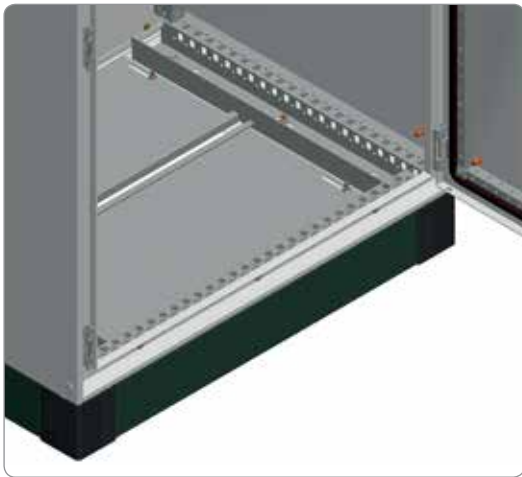
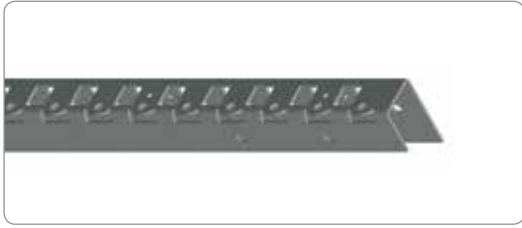
**[** For ranges **SM** **]**





# Mounting

## Installation accessories



[ For ranges SM ]

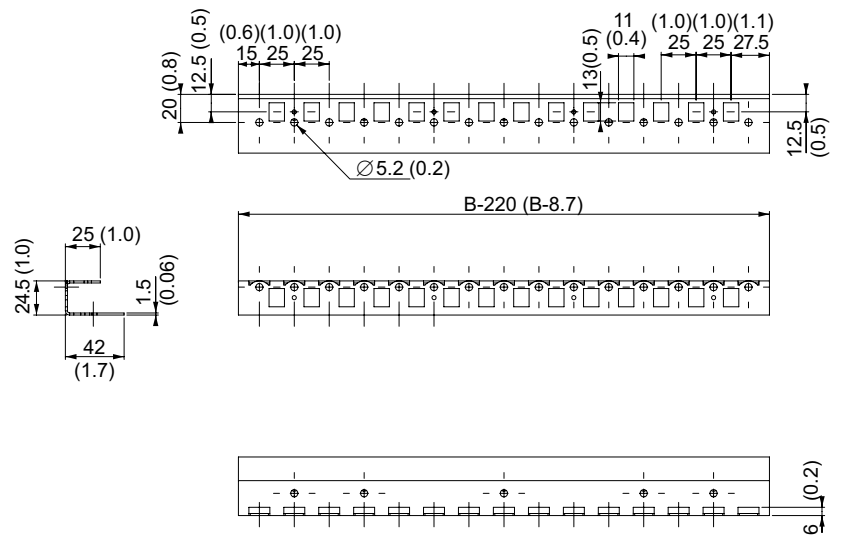
### Horizontal adaptation profiles

- The horizontal adaptation profiles provide mounting points at the entrance to the enclosure.
- Material: steel.
- Thickness: 1.5 mm (0.06 in.).
- Finish: zinc-coated.



Supply: 2 horizontal adaptation profiles and mounting screws.

Nominal width: mm (in.) (B)	Catalog number
600 (23.6)	<b>NSYSMHR6</b>
800 (31.5)	<b>NSYSMHR8</b>
1000 (39.4)	<b>NSYSMHR10</b>
1200 (47.2)	<b>NSYSMHR12</b>
1600 (63.0)	<b>NSYSMHR16</b>




# Mounting

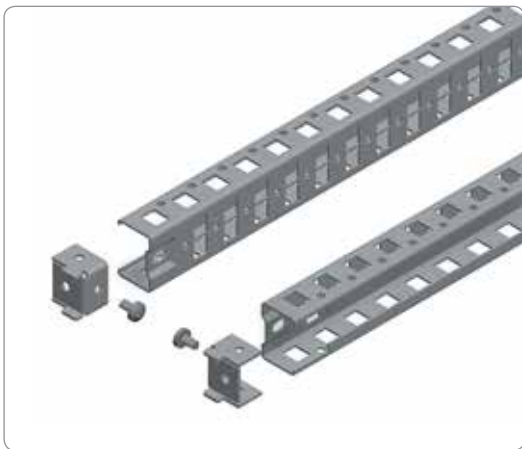
## Installation accessories

For ranges  
SF, SM, SFX,  
SMX

### Universal cross rails

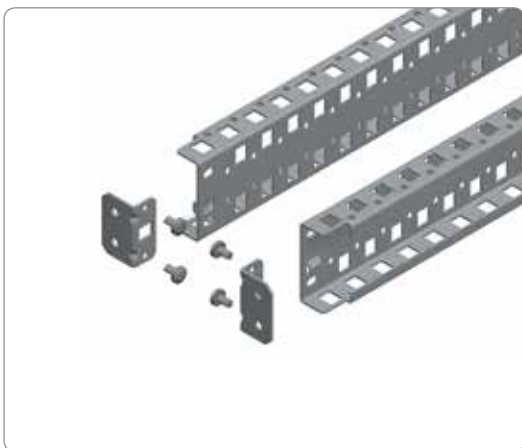
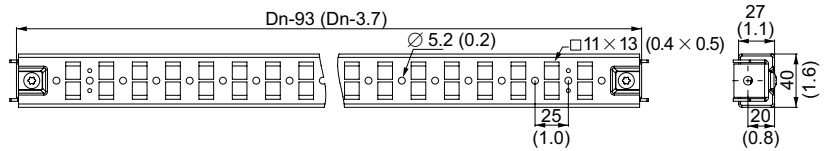
- Various versions are available, according to width: 40 mm (1.6 in.) (1 row), 65 mm (2.6 in.) (2 rows) and 90 mm (3.5 in.) (3 rows). The rails are perforated with a pitch of 25 mm for the formation of structures inside the enclosure.
- They allow any type of installation, as well as the adjustment of the various installation systems (partial mounting plates, 19" racks, etc.).
- Material: zinc-coated steel.
- Thickness: 1.5 mm (0.06 in.).

 Supply: two universal cross rails, four supports for universal cross rails and mounting hardware.



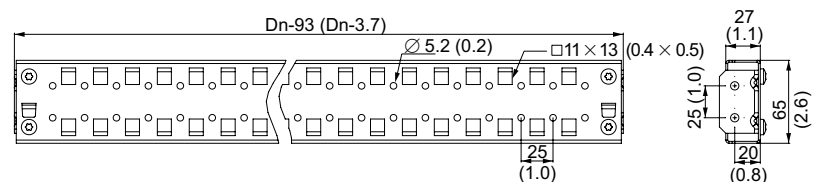
Nominal dimensions	Maximum load:	Catalog number
Height/Width/Depth: mm (in.)	kg (lbs) by rail	40 mm (1.6 in.) (1 row)
300 (11.8)	70 (154.3)	<b>NSYSUCR4030</b>
400 (15.7)	60 (132.3)	<b>NSYSUCR4040</b>
500 (19.7)	60 (132.3)	<b>NSYSUCR4050</b>
600 (23.6)	50 (110.2)	<b>NSYSUCR4060</b>
800 (31.5)	40 (88.2)	<b>NSYSUCR4080</b>
1000 (39.4)	30 (66.1)	<b>NSYSUCR40100</b>
1200 (47.2)	20 (44.1)	<b>NSYSUCR40120</b>
1400 (55.1)	(1)	<b>NSYSUCR40140</b>
1600 (63.0)	(1)	<b>NSYSUCR40160</b>
1800 (70.9)	(1)	<b>NSYSUCR40180</b>
2000 (78.7)	(1)	<b>NSYSUCR40200</b>
2200 (86.6)	(1)	<b>NSYSUCR40220</b>

(1) For vertical assembly only.



Nominal dimensions	Maximum load:	Catalog number
Height/Width/Depth: mm (in.)	kg (lbs) by rail	65 mm (2.6 in.) (2 rows)
300 (11.8)	110 (242.5)	<b>NSYSUCR6530</b>
400 (15.7)	100 (220.5)	<b>NSYSUCR6540</b>
500 (19.7)	90 (198.4)	<b>NSYSUCR6550</b>
600 (23.6)	80 (176.4)	<b>NSYSUCR6560</b>
800 (31.5)	70 (154.3)	<b>NSYSUCR6580</b>
1000 (39.4)	50 (110.2)	<b>NSYSUCR65100</b>
1200 (47.2)	50 (110.2)	<b>NSYSUCR65120</b>
1400 (55.1)	(1)	<b>NSYSUCR65140</b>
1600 (63.0)	(1)	<b>NSYSUCR65160</b>
1800 (70.9)	(1)	<b>NSYSUCR65180</b>
2000 (78.7)	(1)	<b>NSYSUCR65200</b>
2200 (86.6)	(1)	<b>NSYSUCR65220</b>

(1) For vertical assembly only.



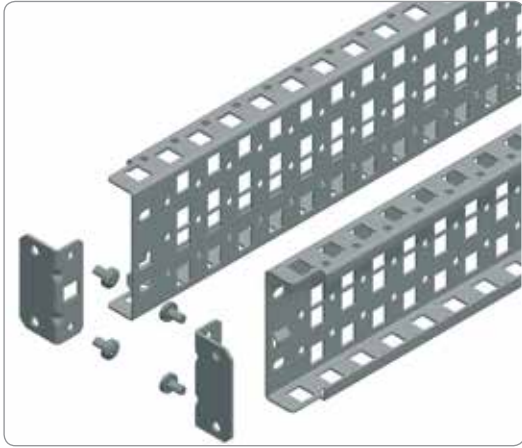
**> Advantage:**

The universal cross rails allow any type of installation.

# Mounting

## Installation accessories

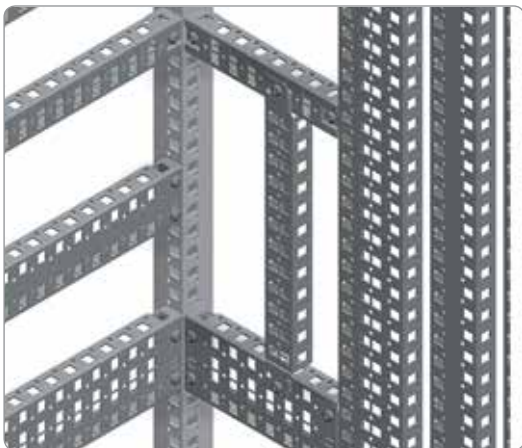
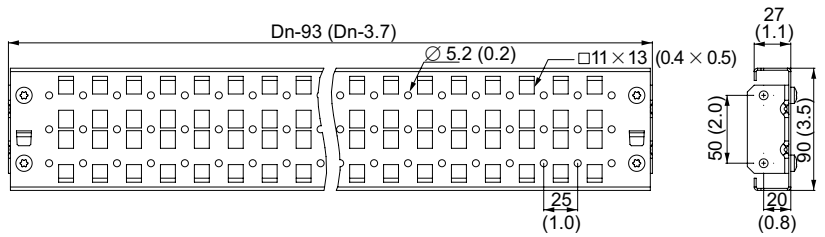
### Universal cross rails



For ranges SF, SM, SFX, SMX

Nominal dimensions	Maximum load:	Catalog number
Height/Width/Depth: mm (in.)	kg (lbs) by rail	90 mm (3.5 in.) (3 rows)
300 (11.8)	130 (286.6)	<b>NSYSUCR9030</b>
400 (15.7)	120 (264.6)	<b>NSYSUCR9040</b>
500 (19.7)	120 (264.6)	<b>NSYSUCR9050</b>
600 (23.6)	110 (242.5)	<b>NSYSUCR9060</b>
800 (31.5)	100 (220.5)	<b>NSYSUCR9080</b>
1000 (39.4)	70 (154.3)	<b>NSYSUCR90100</b>
1200 (47.2)	70 (154.3)	<b>NSYSUCR90120</b>
1400 (55.1)	(1)	<b>NSYSUCR90140</b>
1600 (63.0)	(1)	<b>NSYSUCR90160</b>
1800 (70.9)	(1)	<b>NSYSUCR90180</b>
2000 (78.7)	(1)	<b>NSYSUCR90200</b>
2200 (86.6)	(1)	<b>NSYSUCR90220</b>

(1) For vertical assembly only.



### Other dimensions

- Universal cross rails of 40 mm (1.6 in.) (1 row) and 90 mm (3.5 in.) (3 rows) are available in other dimensions for assembly in other positions, and between cross rails.
- Material: zinc-coated steel.
- Thickness: 1.5 mm (0.06 in.).

Supply: two universal cross rails, four supports for universal cross rails and mounting hardware.

Nominal dimensions	Maximum load:	Catalog number	
		40 mm (1.6 in.) (1 row)	90 mm (3.5 in.) (3 rows)
Height/Width/Depth: mm (in.)	kg (lbs) (1)	Maximum load: kg (lbs) by rail	Catalog number
700 (27.6)	50 (110.2)	110 (242.5)	<b>NSYSUCR9070</b>
900 (35.4)	40 (88.2)	100 (220.5)	<b>NSYSUCR9090</b>
1100 (43.3)	30 (66.1)	70 (154.3)	<b>NSYSUCR90110</b>
1500 (59.1)	(1)	(1)	<b>NSYSUCR90150</b>

(1) Cross rails only for mounting cables.


# Mounting

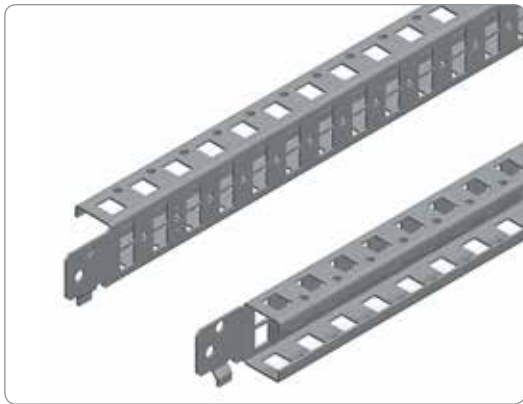
## Installation accessories

For ranges  
SF, SM, SFX,  
SMX

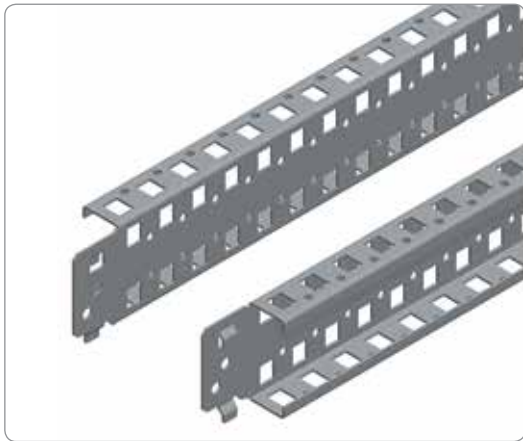
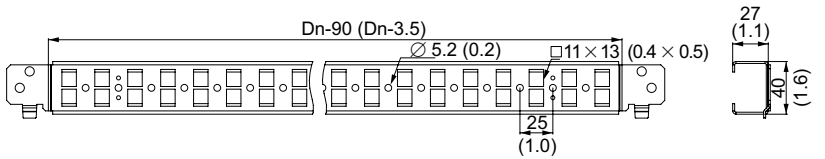
### Quick-mounting cross rails

- 3 models available according to width: 40 mm (1.6 in.) (1 row), 65 mm (2.6 in.) (2 rows) and 90 mm (3.5 in.) (3 rows). The quick-mounting cross rails are perforated with a pitch of 25 mm (1.0 in.),  $\varnothing$  5.2 mm (0.2 in.).
- Adjustable with a pitch of 25 mm (1.0 in.).
- **Spacial SF:** the rails are mounted directly to the structure, quickly and easily. The rails clip on and are secured with screws.
- **Spacial SM:** cross rails for depthwise mounting with adaptation profiles and 40 mm (1.6 in.) universal cross rails (1 row), or between cross rails in any other position.
- Material: zinc-coated steel.

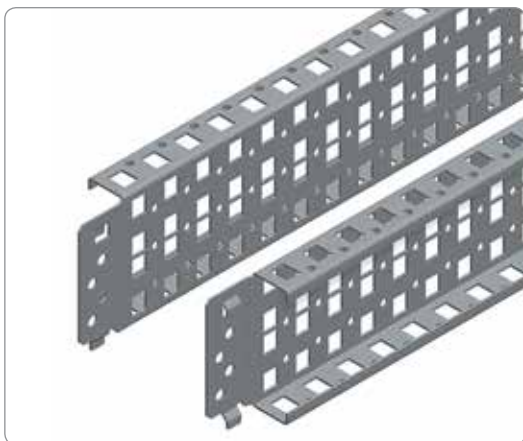
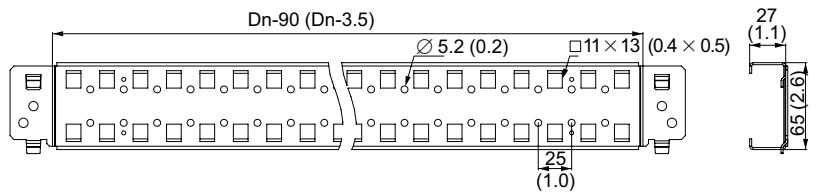
 Supply: two quick-mounting cross rails and mounting hardware.



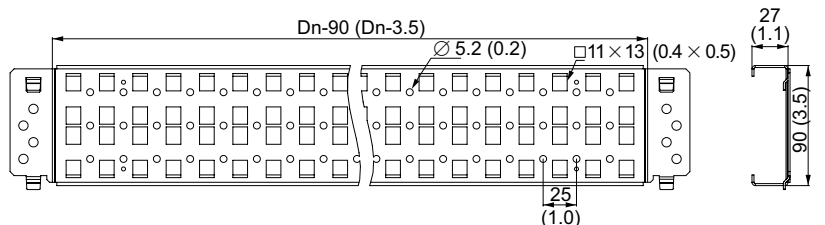
Nominal dimensions	Maximum load:	Catalog number
Height/Width/Depth: mm (in.)	kg (lbs) by rail	40 mm (1.6 in.) (1 row)
400 (15.7)	60 (132.3)	<b>NSYSQCR4040</b>
500 (19.7)	60 (132.3)	<b>NSYSQCR4050</b>
600 (23.6)	50 (110.2)	<b>NSYSQCR4060</b>
800 (31.5)	40 (88.2)	<b>NSYSQCR4080</b>
1000 (39.4)	30 (66.1)	<b>NSYSQCR40100</b>
1200 (47.2)	20 (44.1)	<b>NSYSQCR40120</b>



Nominal dimensions	Maximum load:	Catalog number
Height/Width/Depth: mm (in.)	kg (lbs) by rail	65 mm (2.6 in.) (2 rows)
400 (15.7)	100 (220.5)	<b>NSYSQCR6540</b>
500 (19.7)	90 (198.4)	<b>NSYSQCR6550</b>
600 (23.6)	80 (176.4)	<b>NSYSQCR6560</b>
800 (31.5)	70 (154.3)	<b>NSYSQCR6580</b>
1000 (39.4)	50 (110.2)	<b>NSYSQCR65100</b>
1200 (47.2)	50 (110.2)	<b>NSYSQCR65120</b>

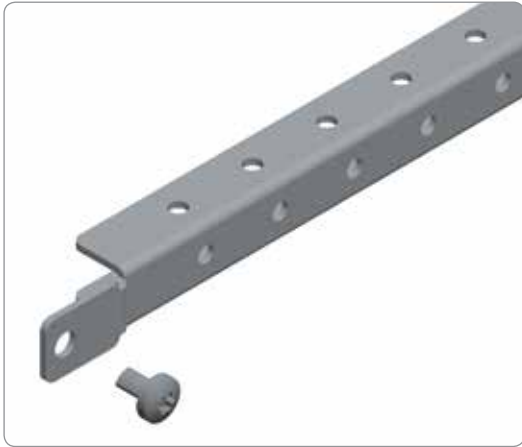


Nominal dimensions	Maximum load:	Catalog number
Height/Width/Depth: mm (in.)	kg (lbs) by rail	90 mm (3.5 in.) (3 rows)
400 (15.7)	120 (264.6)	<b>NSYSQCR9040</b>
500 (19.7)	120 (264.6)	<b>NSYSQCR9050</b>
600 (23.6)	110 (242.5)	<b>NSYSQCR9060</b>
800 (31.5)	100 (220.5)	<b>NSYSQCR9080</b>
1000 (39.4)	70 (154.3)	<b>NSYSQCR90100</b>
1200 (47.2)	70 (154.3)	<b>NSYSQCR90120</b>



# Mounting

## Installation accessories

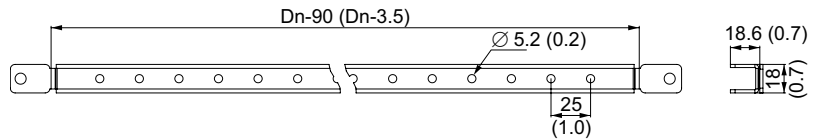


### Light cross rails

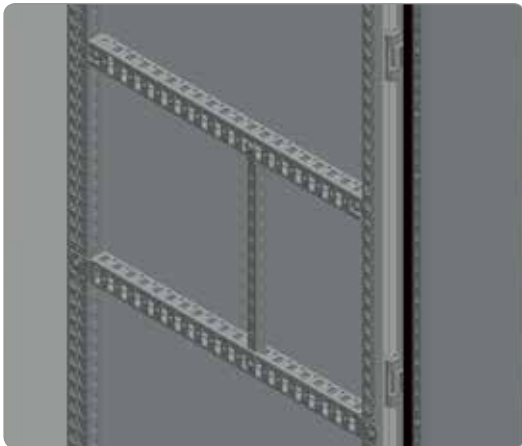
- **Spacial SF and SFX:** direct mounting to the structure or between cross rails.
- **Spacial SM:** mounting with adaptation profiles and 40-mm (1.6 in.) universal cross rails (1 row), or between cross rails in any other position.
- Adjustable with a pitch of 25 mm (1.0 in.).
- The light cross rails are equipped with a row of drill holes with a diameter of 5.2 mm (0.2 in.) and a pitch of 25 mm (1.0 in.), which allow mounting with an M6 self-tapping screw, catalog no. **NSYST30M6S**.
- Material: zinc-coated steel.

Supply: two light cross rails and mounting hardware.

Nominal dimensions: mm (in.)	Catalog number
Width/Depth	
400 (15.7)	<b>NSYSLCR40</b>
500 (19.7)	<b>NSYSLCR50</b>
600 (23.6)	<b>NSYSLCR60</b>
800 (31.5)	<b>NSYSLCR80</b>



**[ For ranges SF, SFX, SM ]**



### Rails for heavy loads

- The rails can be mounted with a cable-gland plate or mounting plate.
- Laterally adjustable with a pitch of 25 mm (1.0 in.).
- Elongated holes, for adjusting the center-to-center distance of the switchgear.
- Material: galvanized steel.
- Thickness: 4 mm (0.2 in.).

Supply: 2 rails for heavy loads and mounting hardware.

Nominal dimensions: mm (in.)	Maximum load: kg (lbs)	Catalog number
Depth		
400 (15.7)	575 (1267.7)	<b>NSYHLCR40</b>
500 (19.7)	525 (1157.4)	<b>NSYHLCR50</b>
600 (23.6)	500 (1102.3)	<b>NSYHLCR60</b>
800 (31.5)	475 (1047.2)	<b>NSYHLCR80</b>






**[ For ranges SF ]**

# Mounting


## Installation accessories

### Mounting hardware

- **Caged nuts:** for installation in the rectangular cut-outs of the structure and the cross rails.
- **Removable nuts:** for installation in the rectangular cut-outs of the structure and the cross rails, easy to extract and reuse.
- **Screws with washers:** make assembly easier in difficult-access locations.
- **Metric Torx screw:** for use with the caged and/or removable nuts.
- **Torx self-tapping screw:** for installation on the structure or on the cross rails.

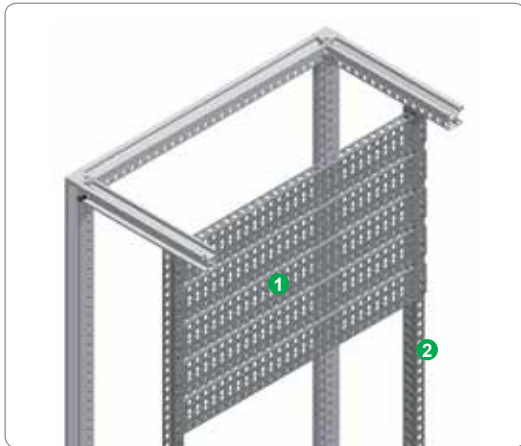
Mounting hardware		Supply (units)	Catalog number
	M6 caged nut	50	<b>NSYCNFM6</b>
	M8 caged nut	50	<b>NSYCNFM8</b>
	M6 removable nut	50	<b>NSYCNM6</b>
	M8 removable nut	50	<b>NSYCNM8</b>
	M6 × 12 mm (0.5 in.)	100	<b>NSYS12M6H</b>
	M6 × 16 mm (0.6 in.)	100	<b>NSYS16M6H</b>
	M6 × 18 mm (0.7 in.)	100	<b>NSYS18M6H</b>
	M8 × 16 mm (0.6 in.)	100	<b>NSYS16M8H</b>
	M8 × 20 mm (0.8 in.)	100	<b>NSYS20M8H</b>
	Torx T30 M6 × 16 mm (0.6 in.) screw (1)	100	<b>NSYST30M6</b>
	Torx T40 M8 × 16 mm (0.6 in.) screw (1)	100	<b>NSYST40M8</b>
	Torx T30 M6 × 12 mm (0.5 in.) self-tapping screw (1)	100	<b>NSYST30M6S</b>

(1) Screw without washer.

 Catalog number by unit. Order in multiples of 50 (nuts) or 100 (screws).

# Mounting

## Installation examples

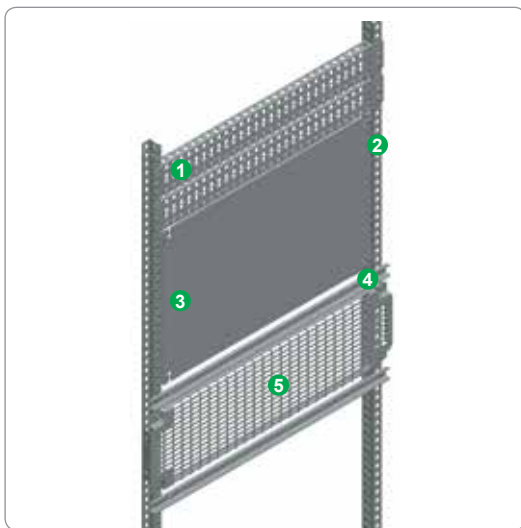


- 1 90-mm (3.5 in.) quick cross rails (3 rows), page 8/37.
- 2 40-mm (1.6 in.) universal cross rails (1 row), page 8/35.

### Modular universal chassis

#### Assembly with cross rails and accessories (enclosure width 600 mm [23.6 in])

- The 40-mm (1.6 in.) universal cross rails (1 row) used as depth-adjustable uprights with a pitch of 25 mm (1.0 in.) allow the installation of multiple supports for installing switchgear, allowing their height to be adjusted with a pitch of 25 mm (1.0 in.).

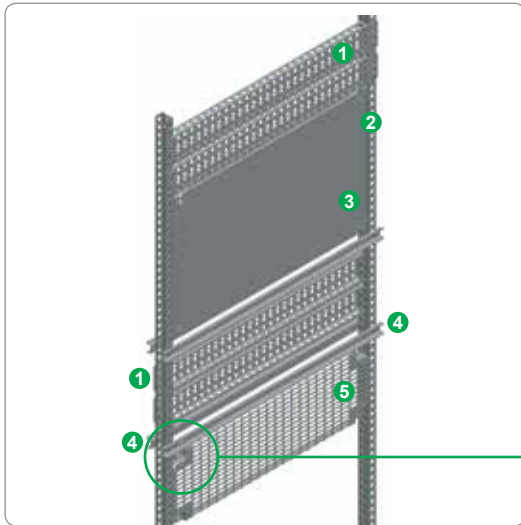


- 1 90-mm (3.5 in.) quick-mounting cross rails (3 rows), page 8/37.
- 2 40-mm (1.6 in.) universal cross rails (1 row), page 8/35.
- 3 Partial mounting plate, page 8/20.
- 4 Symmetric DIN rail, page 8/48.
- 5 Telequick perforated mounting plate, page 8/26.

- The modular universal chassis system allows modular and non-modular elements to be installed easily on the same plane, using DIN rails, partial mounting plates and 90-mm (3.5 in.) cross rails (3 rows) used as perforated plates.

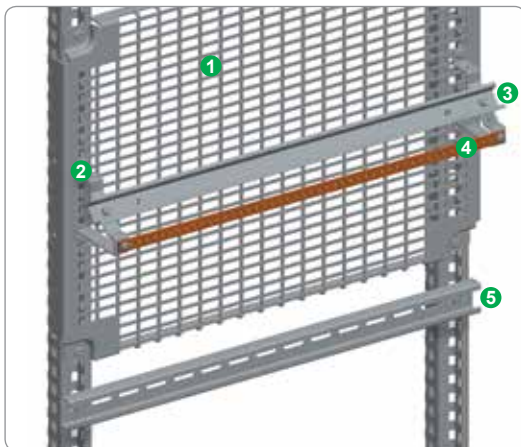
# Mounting

## Installation examples



- The universal chassis provides two working surfaces, front and rear, in enclosures with front and rear access.

- 1 90-mm (3.5 in.) quick-mounting cross rails (3 rows), page 8/37.
- 2 40-mm (1.6 in.) universal cross rails (1 row), page 8/35.
- 3 Partial mounting plate, page 8/20.
- 4 Symmetric DIN rail, page 8/48.
- 5 Telequick perforated mounting plate, page 8/26.



### Assembly with mounting uprights and accessories (enclosure width 600 mm [23.6 in])

- The installation of uprights on the mounting plate brackets creates a chassis with perforated rails and plates, adjustable with a pitch of 2.5 mm (0.1 in.), using quarter-turn nuts.

- 1 Telequick perforated mounting plate, page 8/26.
- 2 Combined support brackets for grounding bar, page 8/28.
- 3 Symmetric DIN rail, page 8/48.
- 4 Grounding bar, page 8/101.
- 5 Symmetric C-shaped rail, page 8/54.




# Mounting

## Equipment support accessories

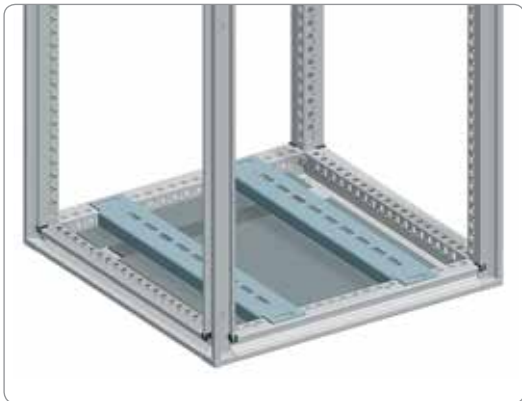


### System for supporting heavy loads

- C-shaped rails designed for assembling various devices, especially transformers, at the bottom of the enclosure, allowing the passage of cables.
- The rails are mounted directly on the bottom frame of the enclosure.
- Material:
  - C-shaped rails: zinc-coated steel.
  - T-head screws (M12): galvanized steel.


 Supply: two C-shaped rails, four T-head screws, four washers, four nuts and hardware for mounting to the enclosure.

Nominal dimensions: mm (in.)	Catalog number
Width	
600 (23.6)	<b>NSYRSUP6</b>
800 (31.5)	<b>NSYRSUP8</b>
1000 (39.4)	<b>NSYRSUP10</b>
1200 (47.2)	<b>NSYRSUP12</b>



### Rails for heavy loads

- The rails can be mounted with a cable-gland plate or a mounting plate.
- Laterally adjustable with a pitch of 25 mm (1.0 in.).
- Elongated holes, for adjusting the center-to-center distance of the switchgear.
- Material: galvanized steel.
- Thickness: 4 mm (0.2).

 Supply: 2 rails for heavy loads and mounting hardware.

Nominal dimensions: mm (in.)	Maximum load: kg (lbs)	Catalog number
Depth		
400 (15.7)	575 (1267.7)	<b>NSYHLCR40</b>
500 (19.7)	525 (1157.4)	<b>NSYHLCR50</b>
600 (23.6)	500 (1102.3)	<b>NSYHLCR60</b>
800 (31.5)	475 (1047.2)	<b>NSYHLCR80</b>

# Mounting

## Equipment support accessories



Tray installed on the structure.



Tray installed on cross rails.

### Fixed tray

- Options for mounting the fixed tray to the enclosure:
  - If the tray has the same dimensions as the enclosure:
    - **Spacial SF**: direct mounting to the structure.
    - **Spacial SFX**: installation possible only with universal cross rails, see page 8/35.
    - **Spacial SM**: mounting with adaptation profiles and 40-mm (1.6 in.) universal cross rails (1 row) in vertical position.
  - If the tray is smaller than the dimensions of the enclosure: mounting on depth cross rails.
    - Depth-adjustable tray with a pitch of 25 mm (1.0 in.).
- Provided with cut-outs for improving air circulation inside.
- Material: steel.
- Finish: painted with epoxy-polyester resin, RAL 7035 gray.
- Acceptable load: 150 kg (330.7 lbs), evenly distributed.
- Tray height: 30 mm (1.2 in.).



Supply: one fixed tray and mounting hardware.

Nominal dimensions: mm (in.)		Tray Dimensions: mm (in.)	Catalog number
Width	Depth		
600 (23.6)	400 (15.7)	482 × 290 × 30 (19.0 × 11.4 × 1.2)	<b>NSYFXT6040</b>
	500 (19.7)	482 × 390 × 30 (19.0 × 15.4 × 1.2)	<b>NSYFXT6050</b>
	600 (23.6)	482 × 490 × 30 (19.0 × 19.3 × 1.2)	<b>NSYFXT6060</b>
800 (31.5)	400 (15.7)	682 × 290 × 30 (26.9 × 11.4 × 1.2)	<b>NSYFXT8040</b>
	500 (19.7)	682 × 390 × 30 (26.9 × 15.4 × 1.2)	<b>NSYFXT8050</b>
	600 (23.6)	682 × 490 × 30 (26.9 × 19.3 × 1.2)	<b>NSYFXT8060</b>

> **Advantage:**

Withstands loads of up to 150 kg (330.7 lbs).

# Mounting

## Equipment support accessories



Telescopic rails fixed to the structure.



Telescopic rails fixed to cross rails.

### Telescopic rails

- **Spacial SF:** installation directly on the enclosure structure or on universal cross rails.
- **Spacial SFX:** installation possible only with universal cross rails, see page 8/35.
- **Spacial SM:** installation with adaptation profiles and 40-mm (1.6 in.) universal cross rails (1 row) in vertical position, or on horizontal universal cross rails.
- The installation of a telescopic tray consists of the following:
  - 1 fixed tray.
  - 2 telescopic rails.
- End-of-travel stop of the rails in open and closed position.
- Material: zinc-coated steel.
- Acceptable load: 50 kg (110.2 lbs) evenly distributed.



Supply: two telescopic rails and mounting hardware.

Nominal dimensions: mm (in.)	Catalog number
Depth	
400 (15.7)	<b>NSYTTG40</b>
500 (19.7)	<b>NSYTTG50</b>
600 (23.6)	<b>NSYTTG60</b>

# Mounting

## Equipment support accessories

### Tray cross rails

- The cross rails allow the installation of fixed trays and telescopic rails. For quick-mounting and universal cross rails, see pages **8/35** and **8/37**.

Nominal dimensions: mm (in.)	Universal cross rail catalog number	Quick-mounting cross rail catalog number
Depth	40 mm (1.6 in.) (1 row)	40 mm (1.6 in.) (1 row)
400 (15.7)	<b>NSYSUCR4040</b>	<b>NSYSQCR4040</b>
500 (19.7)	<b>NSYSUCR4050</b>	<b>NSYSQCR4050</b>
600 (23.6)	<b>NSYSUCR4060</b>	<b>NSYSQCR4060</b>
800 (31.5)	<b>NSYSUCR4080</b>	<b>NSYSQCR4080</b>



### Handle for telescopic trays

- Handle designed for easy extraction of the sliding trays.
- Material: polyamide 6 (black).



Supply: two handles and mounting hardware.

Catalog number

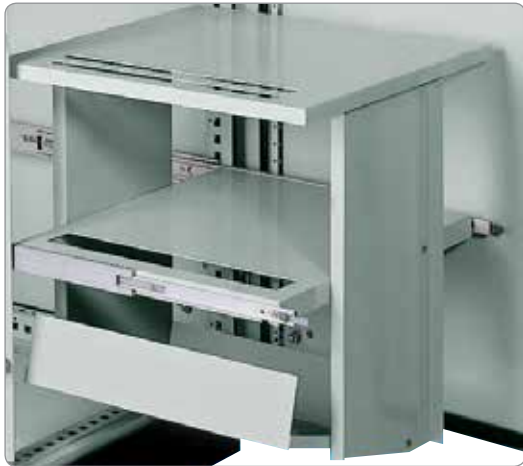
**NSY1TH**



# Mounting

## Equipment support accessories

[ For ranges  
SFX, SMX ]



### Printer support

- Support for an A4 printer, with space reserved for paper.
- Mounted directly to the enclosure structure, with a depth of 600 mm (23.6 in.). For a depth of 800 mm (31.5 in.), it can be installed with universal or quick-mounting 40-mm (1.6 in.) (1 row) cross rails (catalog no. **NSYSUCR4080** or **NSYSQCR4080**).
- Material: steel.
- Finish: painted RAL 7035 gray.



Supply: printer support and mounting hardware.

**Catalog number**  
**NSYPSA4**

[ For ranges  
SF ]



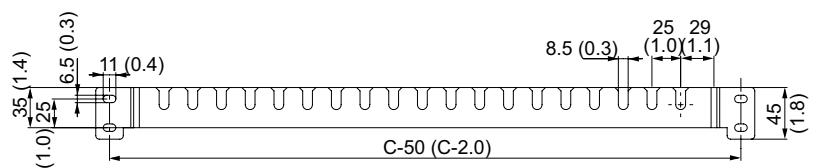
### Cross rail for Lütze chassis

- Cross rail for mounting and adjusting the depth of the Lütze chassis.
- Material: galvanized steel.
- Thickness: 2.5 mm (0.1 in.).



Supply: 6 cross rails for Lütze chassis and mounting hardware.

Nominal dimensions: mm (in.)	Catalog number
Depth (C)	
400 (15.7)	<b>NSYLCR40</b>
500 (19.7)	<b>NSYLCR50</b>
600 (23.6)	<b>NSYLCR60</b>



# Mounting

## Equipment support accessories

[ For ranges  
SF ]



### Support for Lütze chassis

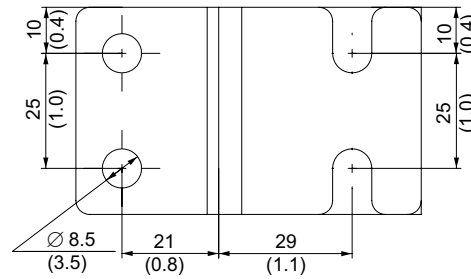
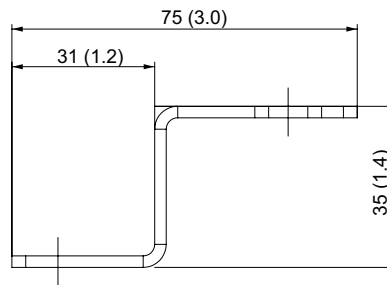
- Support for installing Lütze chassis in the back of the enclosure.
- Material: galvanized steel.
- Thickness: 2.5 mm (0.1 in.).



Supply: 6 supports and mounting hardware.

Catalog number

**NSYLSUP**



# Mounting Rails



For ranges  
SF, SM, SFX, SMX

## Symmetric DIN rails

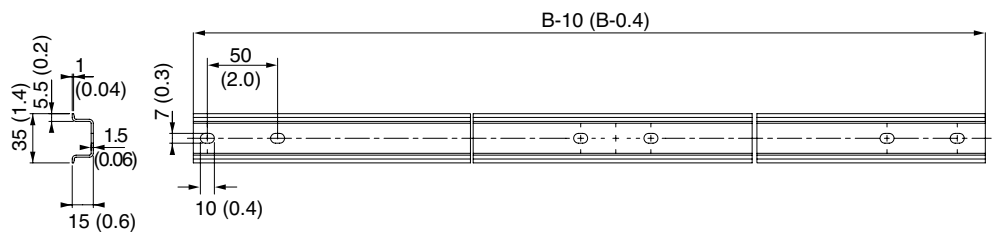
### Symmetric DIN rails for metal enclosures

- Mounted to standard or technical uprights (not included in the supply) or directly to the structure.
- The rails maintain horizontal continuity in enclosure assemblies.
- Rail type:
  - Type A: 35 × 15 mm (1.4 × 0.6 in.), thickness 1.5 mm (0.06 in.).
- Material: zinc-coated steel.

Supply: 20 rails and hardware for direct mounting to the structure.

Catalog number per unit. Order in multiples of 20 units (20, 40, etc.).

Dimensions: mm (in.) (B)	Rail length: mm (in.)	Catalog number
600 (23.6)	590 (23.2)	<b>NSYSDR60</b>
800 (31.5)	790 (31.1)	<b>NSYSDR80</b>
1000 (39.4)	990 (39.0)	<b>NSYSDR100</b>
1200 (47.2)	1190 (46.9)	<b>NSYSDR120</b>



See also  
these accessories



Nuts and hardware  
Page 8/65



Uprights  
Page 8/23

# Mounting Rails



For ranges  
S3DC, S3X, PLM

## Symmetric DIN rails for wall-mounting enclosures

- Attach to mounting plates or other mounting hardware, uprights not included in the supply.
- 2 types:
  - Type A: 35 × 15 mm (1.4 × 0.6 in.), thickness 1.5 mm (0.06 in.).
  - Type B: 35 × 7.5 mm (1.4 × 0.3 in.), thickness 1 mm (0.04 in.).
- Material: zinc-coated steel.

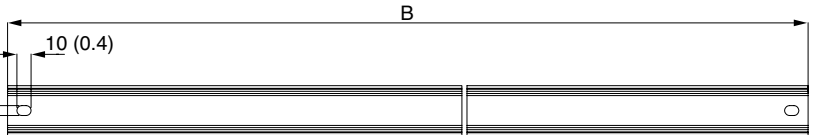
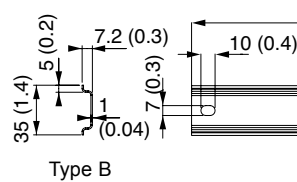
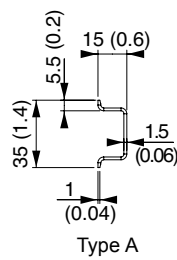


Supply: 20 rails and hardware for direct mounting to the structure.



Catalog number by unit. Order in multiples of 20 units (20, 40, etc.).

Dimensions: mm (in.)	Rail type	Rail length (B): mm (in.)	Catalog number
300 (11.8)	B	250 (9.8)	<b>NSYSDR30B</b>
400 (15.7)	B	350 (13.8)	<b>NSYSDR40B</b>
500 (19.7)	A	450 (17.7)	<b>NSYSDR50A</b>
600 (23.6)	A	550 (21.7)	<b>NSYSDR60A</b>
800 (31.5)	A	750 (29.5)	<b>NSYSDR80A</b>
1000 (39.4)	A	950 (37.4)	<b>NSYSDR100A</b>



See also  
these accessories



Nuts and hardware  
Page 8/65



Uprights  
Page 8/23



# Mounting Rails



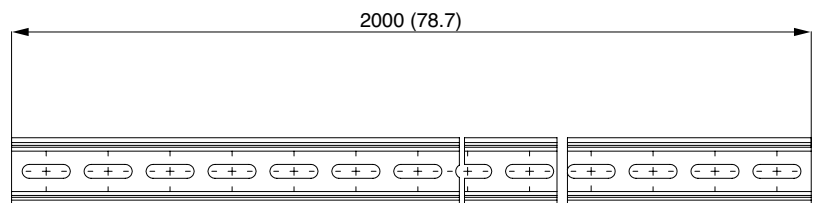
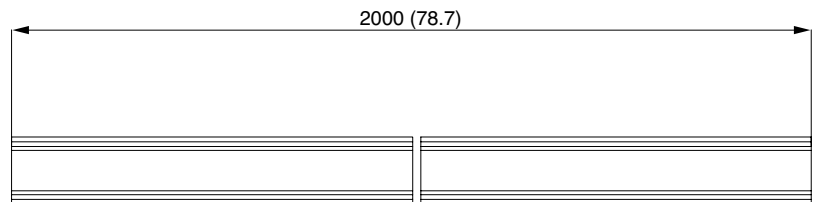
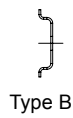
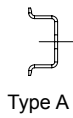
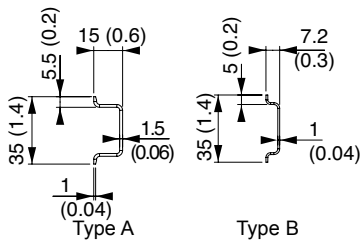
## Symmetric DIN rails, 2000-mm (78.7 in.) version

- Material: galvanized steel.

Supply: 20 rails with a length of 2 m (78.7 in.).

Catalog number by unit. Order in multiples of 20 units (20, 40, etc.).

Length of the rail: mm (in.)	Perforations	Rail type	Catalog number
2000 (78.7)	Not perforated	A	<b>NSYSDR200</b>
2000 (78.7)	Not perforated	B	<b>NSYSDR200B</b>
2000 (78.7)	Perforated	A	<b>NSYSDR200D</b>
2000 (78.7)	Perforated	B	<b>NSYSDR200BD</b>



See also these accessories



Nuts and hardware  
Page 8/65



Uprights  
Page 8/23

# Mounting Rails



For ranges  
SF, SM, SFX, SMX

## Asymmetric DIN rails

### Asymmetric DIN rails for floor-standing enclosures

- Mounted to standard or technical uprights (not included in the supply) or directly to the structure.
- The rails maintain horizontal continuity in enclosure assemblies.
- Thickness: 1.5 mm (0.06 in.).
- Material: zinc-coated steel.

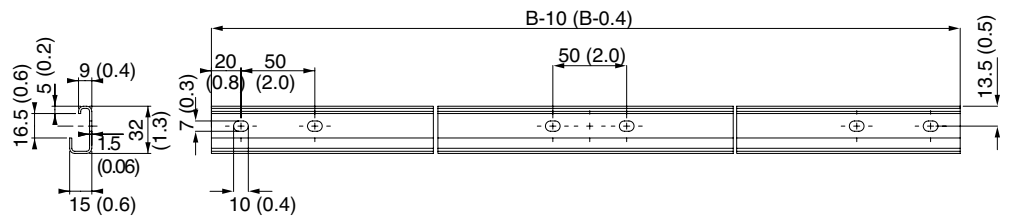


Supply: 20 rails and hardware for direct mounting to the structure.



Catalog number by unit. Order in multiples 20 units (20, 40, etc.).

Dimensions: mm (in.) (B)	Rail length: mm (in.) (B-10)	Catalog number
600 (23.6)	590 (23.2)	<b>NSYADR60</b>
800 (31.5)	790 (31.1)	<b>NSYADR80</b>
1000 (39.4)	990 (39.0)	<b>NSYADR100</b>
1200 (47.2)	1190 (46.9)	<b>NSYADR120</b>



See also  
these accessories



Nuts and hardware  
Page 8/65



Uprights  
Page 8/23

# Mounting Rails



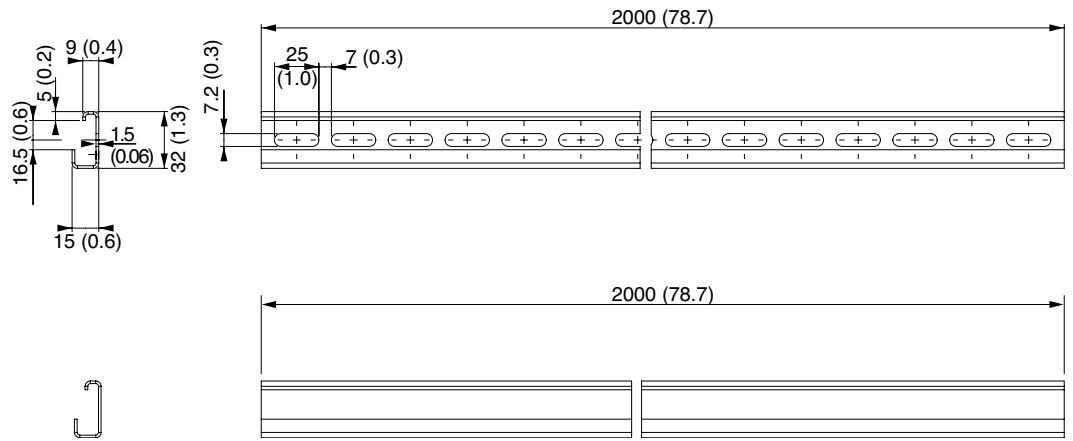
## Asymmetric DIN rails, 2000-mm (78.7 in.) version

- Material: galvanized steel.

Supply: 20 rails with a length of 2 m (78.7 in.).

Catalog number by unit. Order in multiples of 20 units (20, 40, etc.).

Length: mm (in.)	Perforations	Catalog number
2000 (78.7)	Not perforated	<b>NSYADR200</b>
2000 (78.7)	Perforated	<b>NSYADR200D</b>



See also these accessories



Nuts and hardware  
Page 8/65



Uprights  
Page 8/23

# Mounting Rails



For ranges  
SF, SM, SFX, SMX

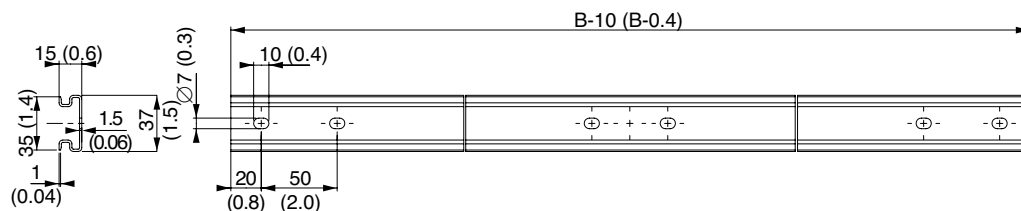
## Double-profile DIN rails

- Double-profile DIN rails combine the advantages of symmetric and asymmetric rails.
- They are mounted to standard or technical uprights (see pages 8/23 and 8/24) or directly to the structure.
- Quick installation of terminals according to standard DIN46277\_1.
- Thickness: 1.5 mm (0.06 in.).
- Material: zinc-coated steel.

Supply: 20 rails and hardware for direct assembling to the structure.

Catalog number by unit. Order in multiples of 20 units (20, 40, etc.).

Dimensions: mm (in.) (B)	Rail length: mm (in.) (B-10)	Catalog number
600 (23.6)	590 (23.2)	<b>NSYDPR60</b>
800 (31.5)	790 (31.1)	<b>NSYDPR80</b>
1000 (39.4)	990 (39.0)	<b>NSYDPR100</b>
1200 (47.2)	1190 (46.9)	<b>NSYDPR120</b>



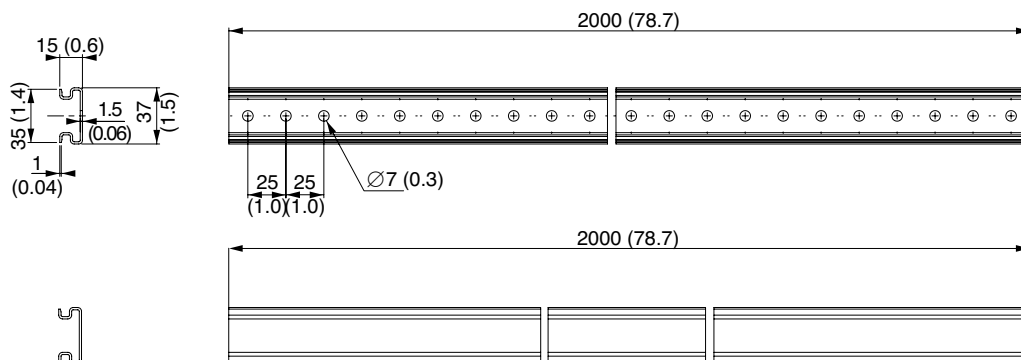
## Double-profile DIN rails, 2000-mm (78.7 in.) version

- Thickness: 1.5 mm (0.06 in.).
- Material: galvanized steel.

Supply: 20 rails with a length of 2 m (78.7 in.).

Catalog number by unit. Order in multiples of 20 units (20, 40, etc.).

Length: mm (in.)	Perforations	Catalog number
2000 (78.7)	Not perforated	<b>NSYDPR200</b>
2000 (78.7)	Perforated	<b>NSYDPR200D</b>



# Mounting Rails



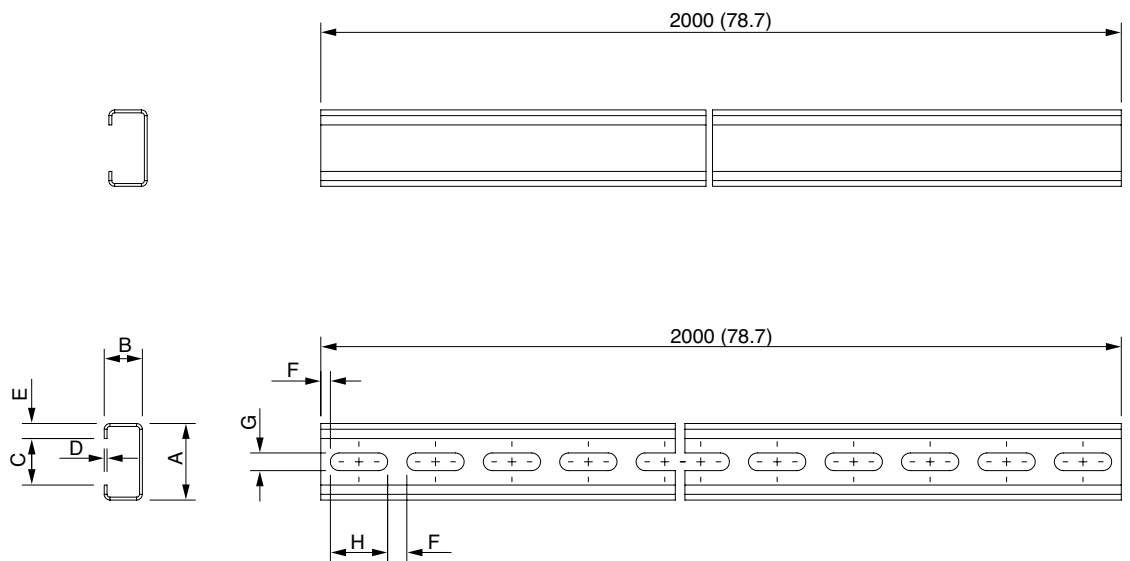
## Symmetric C-shaped rails

- Rails for supporting and mounting switchgear on panels and enclosures, and for formation of chassis, racks and panel reinforcements.
- They are mounted to the structure and to one another with mounting hardware.
- Material: galvanized steel.

Catalog number by unit. Order in multiples of the units specified in the supply.

Rail type	A: mm (in.)	B: mm (in.)	C: mm (in.)	D: mm (in.)	E: mm (in.)	F: mm (in.)	G: mm (in.)	H: mm (in.)	Supply	Catalog number
C20 (1)	21 (0.8)	11 (0.4)	10 (0.4)	1.5 (0.06)	5.5 (0.2)	-	-	-	20	<b>NSYCN20</b>
C40 (1)	40 (1.6)	20 (0.8)	24 (0.9)	1.5 (0.06)	8 (0.3)	-	-	-	20	<b>NSYCN40</b>
C60	60 (2.4)	30 (1.2)	36 (1.4)	2 (0.1)	12 (0.5)	-	-	-	10	<b>NSYCN60</b>
C20	21 (0.8)	11 (0.4)	10 (0.4)	1.5 (0.06)	5.5 (0.2)	5 (0.2)	6.2 (0.2)	15 (0.6)	20	<b>NSYCNT20</b>
C40	40 (1.6)	20 (0.8)	24 (0.9)	1.5 (0.06)	8 (0.3)	10 (0.4)	8.5 (0.3)	30 (1.2)	20	<b>NSYCNT40</b>
C60	60 (2.4)	30 (1.2)	36 (1.4)	2 (0.1)	12 (0.5)	10 (0.4)	10.5 (0.4)	30 (1.2)	10	<b>NSYCNT60</b>

(1) Not perforated.



See also these accessories



Mounting nuts  
Page 8/66



Connectors for symmetric C-shaped rails  
Page 8/57

# Mounting Rails



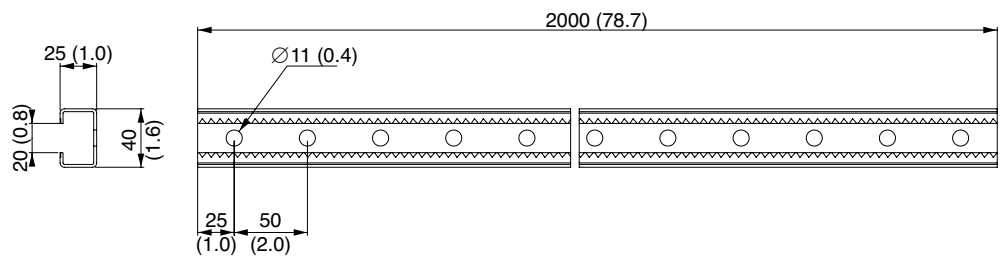
## Serrated C-shaped rail for heavy loads

- Marked in steps of 25 mm (1.0 in.) to facilitate switchgear positioning.
- Thickness: 2 mm (0.1 in.).
- Material: zinc-coated steel.



Supply: 2 rails with a length of 2 m (78.7 in.).

Dimensions: mm (in.)	Catalog number
2000 (78.7)	<b>NSYSR200</b>



See also  
these accessories



Mounting nuts  
Page 8/66

# Mounting Rails



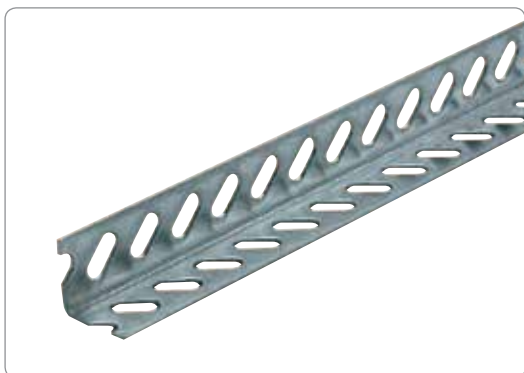
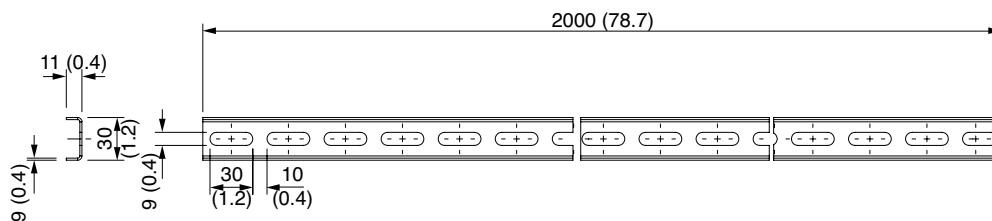
## U-shaped rail

- Universal rails with elongated drill holes with a width of 8.5 mm (0.3 in.) for housing M4, M5 and M6 caged nuts.
- Material: galvanized steel.
- Thickness: 2 mm (0.1 in.).

Supply: 20 rails with a length of 2 m (78.7 in.).

Catalog number by unit. Order in multiples of 20 units (20, 40, etc.).

Dimensions: mm (in.)	Catalog number
2000 (78.7)	<b>NSYCUT30</b>



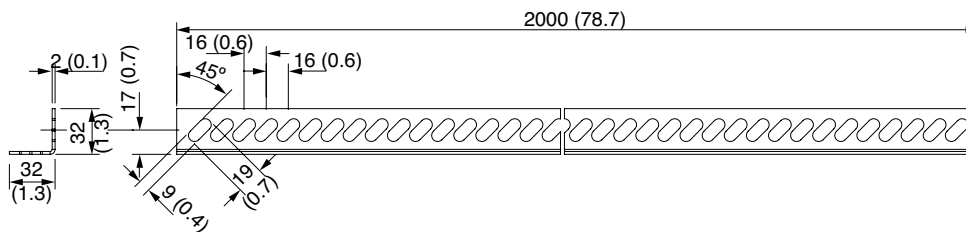
## L-shaped rail

- Universal rails with elongated drill holes with a width of 8.5 mm (0.3 in.) for housing of M4, M5 and M6 caged nuts.
- Material: galvanized steel.
- Thickness: 2 mm (0.1 in.).

Supply: 20 rails with a length of 2 m (78.7 in.).

Catalog number by unit. Order in multiples of 20 units (20, 40, etc.).

Dimensions: mm (in.)	Catalog number
2000 (78.7)	<b>NSYAT32</b>

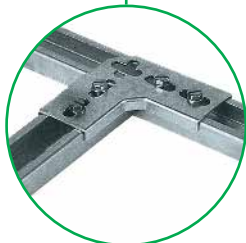
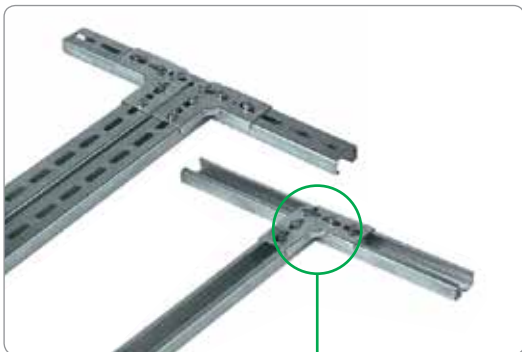


# Mounting Rails

## Connectors for symmetric C-shaped rails

- The connectors enable the formation of chassis, frames and structures for mounting switchgear, DIN rails and other elements in any position inside the enclosures.
- See symmetric C-shaped rails, page 8/54.
- The connectors and rails are joined with combiplas nuts, see page 8/66.

## Examples of combinations with connectors and symmetric C-shaped rails



## EMA connectors

- The EMA connectors are used to join two symmetric C-shaped rails, C20 and C40 types, at right angles; they can also be used to obtain a T-shaped assembly.
- Material: zinc-coated steel.
- Thickness: 2 mm (0.1 in.).

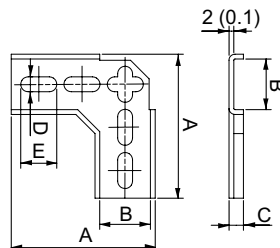


Supply: 20 units.



Catalog number by unit. Order in multiples of 20 units (20, 40, 60, etc.).

A: in (mm)	B: in (mm)	C: in (mm)	D: in (mm)	E: in (mm)	Catalog number
60 (2.4)	21.3 (0.8)	6 (0.2)	6.2 (0.2)	15 (0.6)	<b>NSYEMA20</b>
100 (3.9)	40.3 (1.6)	10 (0.4)	8.5 (0.3)	25 (1.0)	<b>NSYEMA40</b>





# Mounting Rails



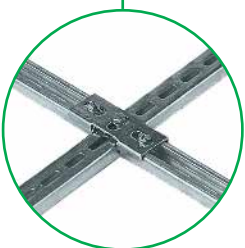
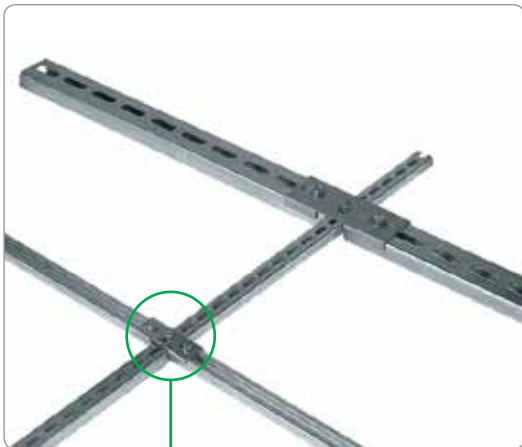
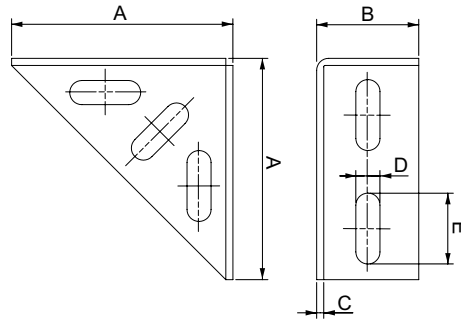
## EVA connectors

- The EVA connectors are used to join two symmetric C-shaped rails, C20 and C40 types, forming an overlapping assembly with a plane change. They can also be used to join the rails at right angles to form spacers or supports at different levels.
- Material: zinc-coated steel.

Supply: 20 units.

Catalog number by unit. Order in multiples of 20 units (20, 40, 60, etc.).

A: in (mm)	B: in (mm)	C: in (mm)	D: in (mm)	E: in (mm)	Catalog number
43 (1.7)	19 (0.7)	2 (0.1)	6.2 (0.2)	15 (0.6)	<b>NSYEVA20</b>
78 (3.1)	36 (1.4)	2.5 (0.1)	8.5 (0.3)	25 (1.0)	<b>NSYEVA40</b>



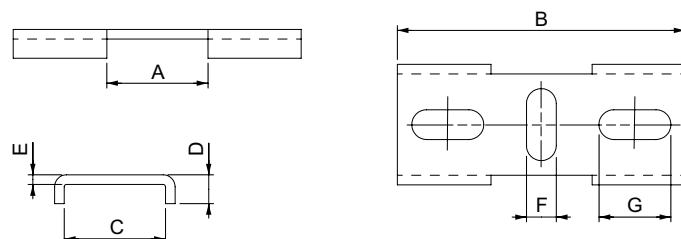
## UCA connectors

- The UCA connectors are used to join symmetric C-shaped rails, types C20 and C40, in a cross-shaped assembly of three rails located on the same plane, for example inside a frame.
- Material: zinc-coated steel.

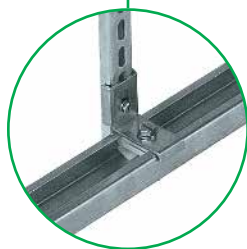
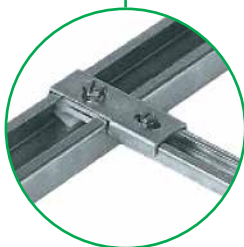
Supply: 20 units.

Catalog number by unit. Order in multiples of 20 units (20, 40, 60, etc.).

A:	B:	C:	D:	E:	F:	G:	Catalog number
in (mm)	in (mm)	in (mm)	in (mm)	in (mm)	in (mm)	in (mm)	
21.3 (0.8)	60 (2.4)	21.3 (0.8)	6 (0.2)	2 (0.1)	6.2 (0.2)	15 (0.6)	<b>NSYUCA22</b>
40.3 (1.6)	100 (3.9)	40.3 (1.6)	10 (0.4)	2.5 (0.1)	8.5 (0.3)	25 (1.0)	<b>NSYUCA44</b>



# Mounting Rails



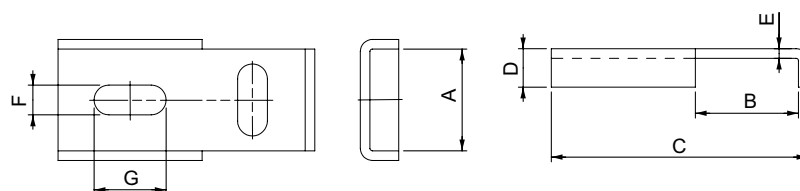
## UTA connectors

- The UTA connectors are used to create a T-shaped assembly between two symmetric C-shaped rails, C20 and C40 types, especially recommended for forming crossbars on chassis and frames.
- The UTA42 connector allows C20 rails to be joined with C40 rails.
- Material: zinc-coated steel.

Supply: 20 units.

Catalog number by unit. Order in multiples of 20 units (20, 40, 60, etc.).

A: in (mm)	B: in (mm)	C: in (mm)	D: in (mm)	E: in (mm)	F: in (mm)	G: in (mm)	Catalog number
21.3 (0.8)	21.5 (0.8)	53.5 (2.1)	8 (0.3)	2 (0.1)	6.2 (0.2)	15 (0.6)	<b>NSYUTA22</b>
21.3 (0.8)	40.5 (1.6)	72.5 (2.9)	8 (0.3)	2 (0.1)	6.2 (0.2)	15 (0.6)	<b>NSYUTA42</b>
40.3 (1.6)	40.5 (1.6)	81 (3.2)	10 (0.4)	2.5 (0.1)	8.5 (0.3)	25 (1.0)	<b>NSYUTA44</b>



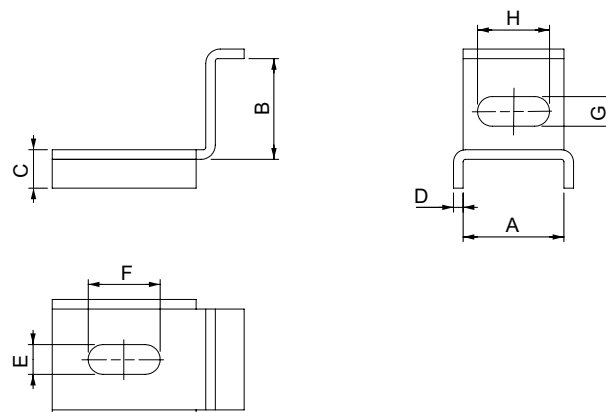
## ECA connectors

- The ECA connectors are used to form a cross-shaped assembly with two symmetric C-shaped rails, C20 and C40 types, located perpendicularly on different planes.
- The ECA42 connector allows C20 rails to be joined with C40 rails.
- Material: zinc-coated steel.

Supply: 20 units.

Catalog number by unit. Order in multiples of 20 units (20, 40, 60, etc.).

A: in (mm)	B: in (mm)	C: in (mm)	D: in (mm)	E: in (mm)	F: in (mm)	G: in (mm)	H: in (mm)	Catalog number
21.3 (0.8)	21.5 (0.8)	8 (0.3)	2 (0.1)	6.2 (0.2)	15 (0.6)	6.2 (0.2)	15 (0.6)	<b>NSYECA22</b>
21.3 (0.8)	40.5 (1.6)	8 (0.3)	2 (0.1)	6.2 (0.2)	15 (0.6)	6.2 (0.2)	13 (0.5)	<b>NSYECA42</b>
40.3 (1.6)	40.5 (1.6)	10 (0.4)	2.5 (0.1)	8.5 (0.3)	25 (1.0)	8.5 (0.3)	25 (1.0)	<b>NSYECA44</b>



# Mounting Rails



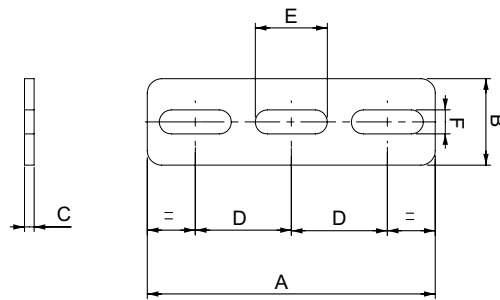
## UR connectors

- The UR connectors are used for rectilinear joining of symmetric C-shaped rails.
- Recommended when the standard length is not sufficient.
- Material: zinc-coated steel.

Supply: 20 units.

Catalog number by unit. Order in multiples of 20 units (20, 40, 60, etc.).

A: in (mm)	B: in (mm)	C: in (mm)	D: in (mm)	E: in (mm)	F: in (mm)	Catalog number
60 (2.4)	18 (0.7)	2 (0.1)	20 (0.8)	15 (0.6)	5 (0.2)	<b>NSYUR20</b>
130 (5.1)	36 (1.4)	3 (0.1)	40 (1.6)	30 (1.2)	10 (0.4)	<b>NSYUR40</b>
130 (5.1)	55 (2.2)	3 (0.1)	40 (1.6)	30 (1.2)	10 (0.4)	<b>NSYUR60</b>



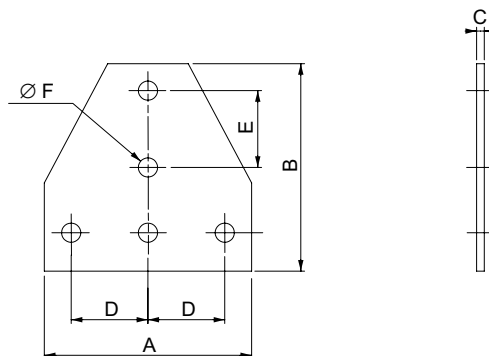
## UT connectors

- The UT connectors are used to form T-shaped assemblies between symmetric C-shaped rails. They are used to form crossbars on frames and structures.
- Material: zinc-coated steel.

Supply: 20 units.

Catalog number by unit. Order in multiples of 20 units (20, 40, 60, etc.).

A: in (mm)	B: in (mm)	C: in (mm)	D: in (mm)	E: in (mm)	F: in (mm)	Catalog number
54 (2.1)	54 (2.1)	2 (0.1)	20 (0.8)	20 (0.8)	5 (0.2)	<b>NSYUT20</b>
60 (2.4)	80 (3.1)	2 (0.1)	20 (0.8)	25 (1.0)	8 (0.3)	<b>NSYUT40</b>





# Mounting Rails



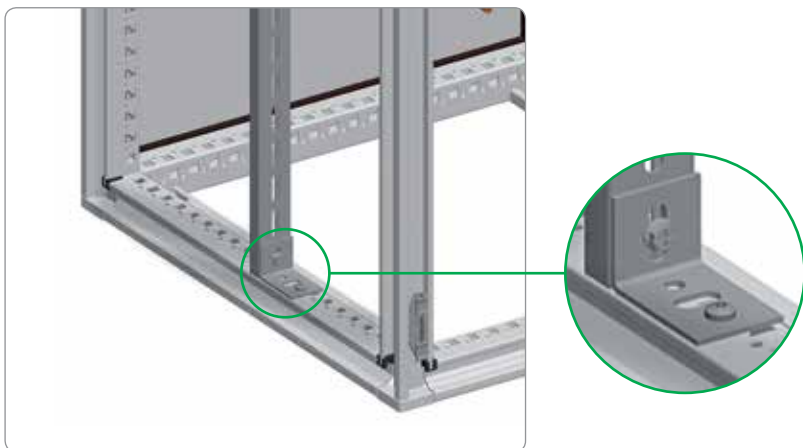
## EN connectors

- The EN connectors are used with symmetric C-shaped rails to create L-shaped assemblies with a plane change.
- Material: zinc-coated steel.

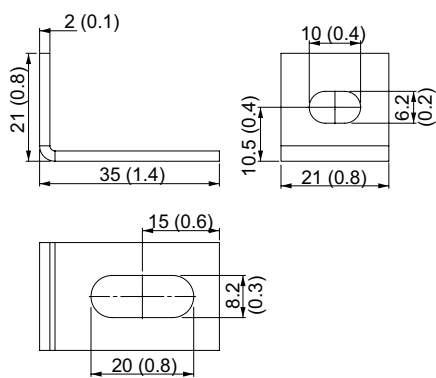
 Supply: 20 units.

 Catalog number by unit. Order in multiples of 20 units (20, 40, 60, etc.).

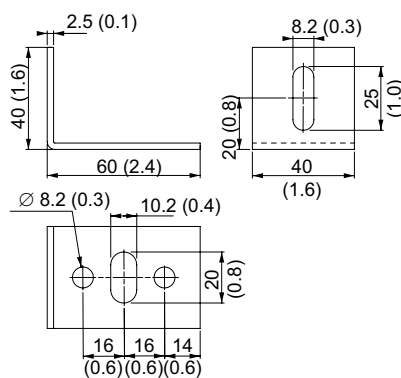
Catalog number
NSYEN20
NSYEN40
NSYEN60



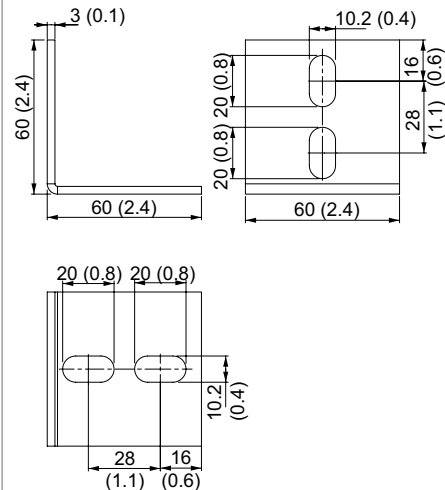
### NSYEN20



### NSYEN40



### NSYEN60



# Mounting Rails



## Hexagonal spacers

- Hexagonal spacers for raising switchgear, mounting plates, etc. They can be linked together to achieve variable heights with gradual elevation.
- Their assembly requires M6 or M8 caged nuts.

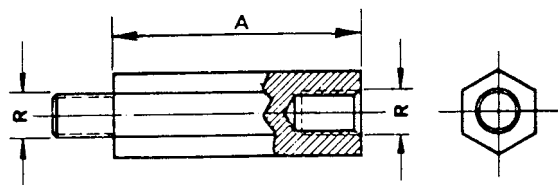


Supply: 100 hexagonal connectors.



Catalog number by unit. Order in multiples of 100 units (100, 200, 300, etc.).

Spacer height: mm (in.) (A)	Thread type (R)	Catalog number
10 (0.4)	M5	<b>NSYE1025</b>
15 (0.6)	M5	<b>NSYE1525</b>
20 (0.8)	M5	<b>NSYE2025</b>
10 (0.4)	M6	<b>NSYEX106</b>
12 (0.5)	M6	<b>NSYEX126</b>
14 (0.6)	M6	<b>NSYEX146</b>
16 (0.6)	M6	<b>NSYEX166</b>
18 (0.7)	M6	<b>NSYEX186</b>
20 (0.8)	M6	<b>NSYEX206</b>
30 (1.2)	M6	<b>NSYEX306</b>
40 (1.6)	M6	<b>NSYEX406</b>
50 (2.0)	M6	<b>NSYEX506</b>
100 (3.9)	M6	<b>NSYEX1006</b>
15 (0.6)	M8	<b>NSYEX158</b>
20 (0.8)	M8	<b>NSYEX208</b>
30 (1.2)	M8	<b>NSYEX308</b>
40 (1.6)	M8	<b>NSYEX408</b>
50 (2.0)	M8	<b>NSYEX508</b>
60 (2.4)	M8	<b>NSYEX608</b>
100 (3.9)	M8	<b>NSYEX1008</b>





# Mounting Rails



## ETU modular spacers

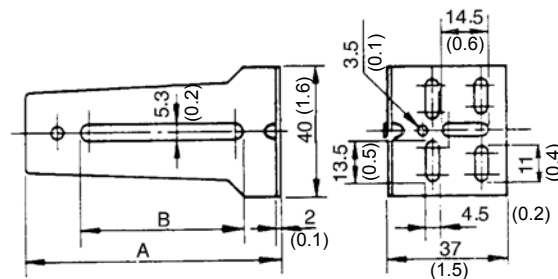
- Modular spacers for installing devices or rails at a different level from that achieved with the basic chassis or mounting plate.
- Material: zinc-coated steel.

 Supply: 20 units.

 Catalog number by unit. Order in multiples of 20 units (20, 40, 60, etc.).

A: mm (in.)	B: mm (in.)	Catalog number
48 (1.9)	25 (1.0)	<b>NSYETU48</b>
58 (2.3)	25 (1.0)	<b>NSYETU58</b>
79 (3.1)	55 (2.2)	<b>NSYETU79</b>
118 (4.6)	55 (2.2)	<b>NSYETU118</b>

Combination of spacers	Min. height: mm (in.)	Max. height: mm (in.)
<b>NSYETU48 + NSYETU48</b>	53 (2.1)	64 (2.5)
<b>NSYETU48 + NSYETU58</b>	63 (2.5)	74 (2.9)
<b>NSYETU48 + NSYETU79</b>	85 (3.3)	95 (3.7)
<b>NSYETU48 + NSYETU118</b>	124 (4.9)	134 (5.3)
<b>NSYETU58 + NSYETU58</b>	73 (2.9)	84 (3.3)
<b>NSYETU58 + NSYETU79</b>	94 (3.7)	104 (4.1)
<b>NSYETU58 + NSYETU118</b>	134 (5.3)	144 (5.7)
<b>NSYETU79 + NSYETU79</b>	84 (3.3)	125 (4.9)
<b>NSYETU79 + NSYETU118</b>	124 (4.9)	164 (6.5)
<b>NSYETU118 + NSYETU118</b>	164 (6.5)	204 (8.0)



# Mounting Rails



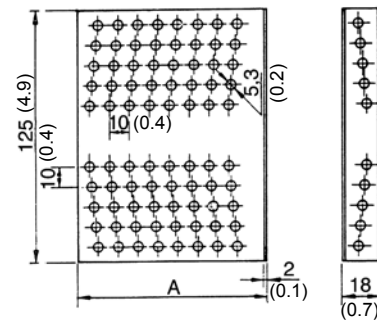
## EMM modular spacers

- Progressive modular spacers. Each row of holes is shifted by 2 mm (0.1 in.), for a raised height of 108 to 178 mm (4.3 to 7.0 in.) from the floor of the enclosure.
- Material: zinc-coated steel.





Supply: 10 units.



A: mm (in.)	Catalog number
95 (3.7)	<b>NSYEMM95</b>





# Mounting

## Nuts and screws for rails


Rail type	Nuts			
 Symmetric DIN rails page 8/48	 Clip-on nut	M4	<b>NSYTDE4</b>	100
		M5	<b>NSYTDE5</b>	100
		M6	<b>NSYTDE6</b>	100

 Asymmetric DIN rails page 8/51	 Quarter-turn sliding nut	M4	<b>NSYSNM4A</b>	100
		M5	<b>NSYSNM5A</b>	100
		M6	<b>NSYSNM6A</b>	100

 Double-profile DIN rails page 8/53	 Quarter-turn sliding nut	M3	<b>NSYTDC34</b>	100
		M4		
		M5	<b>NSYTDC56</b>	100
		M6		

Hardware		
Screw with captive washer		
M4 × 10	<b>NSYS10M4H</b>	100
M4 × 16	<b>NSYS16M4H</b>	100
M5 × 12	<b>NSYS12M5H</b>	100
M5 × 18	<b>NSYS18M5H</b>	100
M6 × 12	<b>NSYS12M6H</b>	100
M6 × 16	<b>NSYS16M6H</b>	100
M6 × 18	<b>NSYS18M6H</b>	100

	Self-tapping screw		
	M6 × 16	<b>NSYS16M6HS</b>	100
	M5 × 13	<b>NSYS13M5HS</b>	100
	Self-tapping screw		
M5 × 16	<b>NSYS16M5HS</b>	100	

 Catalog number by unit. Order in multiples of 100 units (100, 200, 300, etc.).





# Cable management

## Overview



### Minimum size and multiple solutions

#### Choice

Multiple solutions that can be combined on a single cable-entry plate (machining possible at the plant) or directly on the enclosure. See our customized offer.

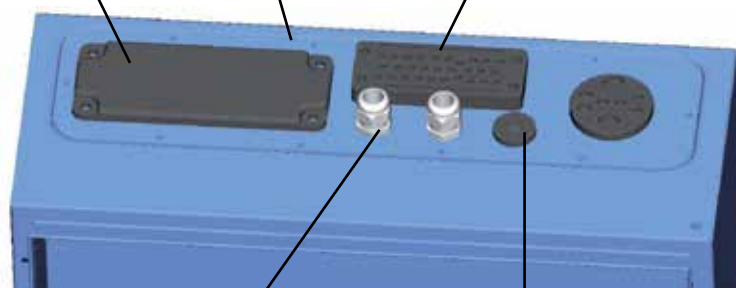
- IP67 ISO cable glands: for quick installation without tools.
- IP67 cable glands.
- IP65 membranes for quick cable entries with FL21-type cut-out.
- IP65 plate for quick cable entries with Harting or circular M50 and M63 cut-outs.
- IP65 plate for cable entries equipped with Harting-type cut-outs and connectors.

**Saves time:**  
IP65 membranes for quick cable entries with FL21-type cut-out.

**Service:**  
Direct machining of the cut-out on the body of the enclosure.

**Quick installation:**  
IP65 plate for quick cable entries with Harting or circular M50 and M63 cut-outs.

**Smart:**  
IP54 plate for cable entries equipped with Harting-type cut-out connectors.



**Practical:**  
IP67 cable glands.

**Simple:**  
IP67 ISO cable glands for quick installation without tools.

Example of installation on cable-entry plate.








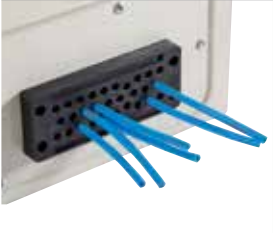

**Machining of your plate before painting, with our specific service.**

Specific



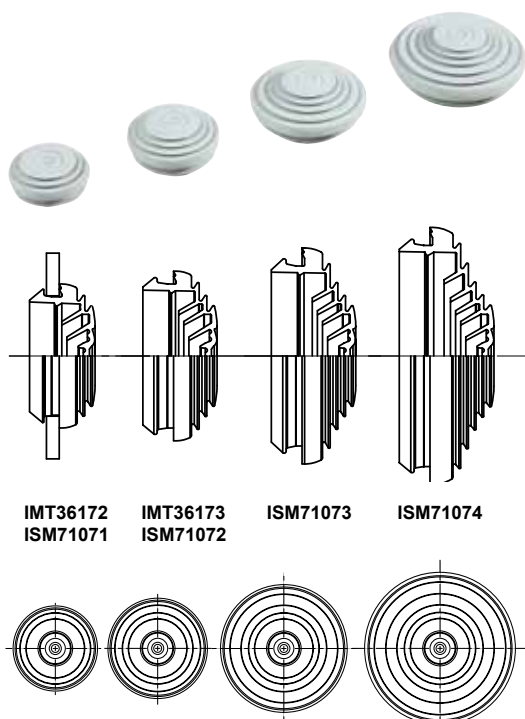
# Cable management

## Cable entries

	Description	Diameter	Details	See also these accessories
	<p>Stepped mixed end pieces for IP55 direct cable entries.</p>	<p>For cables Diameter 23 Diameter 29 Diameter 36 Diameter 44</p>	<p>Page 8/69</p>	<p>Door cable-guide cross-rail Page 8/81</p>
	<p>IP67 quick cable entries</p>	<p>M12 M16 M20 M25 M32 M40 M50</p>	<p>Page 8/69</p>	<p>Adjustable cable ties Page 8/82</p>
	<p>ISO cable gland</p>	<p>M12 M16 M20 M25 M32 M40</p>	<p>Page 8/70</p>	<p>Self-adhesive support bases Page 8/83</p>
	<p>IP65 membranes</p>	<p>For cables with diameters from 8 to 60 mm (0.3 to 2.4 in.)</p>	<p>Page 8/71</p>	<p>Mounting lugs for the grounding strip Page 8/28</p>
	<p>IP65 circular cable entries Entries from 3 mm to 14 mm (0.1 to 0.6 in.)</p>	<p>2 sizes: M50 and M63</p>	<p>Page 8/72</p>	<p>Plastic cable tie mounting support Page 8/83</p>
	<p>IP65 cable entries without connectors. Entries from 3 mm to 6.5 mm (0.1 to 0.3 in.)</p>	<p>Dimensions 112 × 36 mm (4.4 × 1.4 in.)</p>	<p>Page 8/72</p>	<p>Covered cable ducts Page 8/86</p>
	<p>Plates for cable entries with IP54 connectors</p>	<p>91 × 36 mm (3.6 × 1.4 in.) 112 × 36 mm (4.4 × 1.4 in.)</p>	<p>Page 8/75</p>	<p>Duct support Page 8/87</p>

# Cable management

## Cable entries



### Mixed membrane entries for IP55 direct cable entries

#### Accessories for the Thalassa and Spacial offers

- Membrane entries with multiple membranes.
- IP55 protection.
- RAL 7035.
- Concentric cutting. A simple screwdriver is enough for installation. Enables quick connection with a choice of several cable diameters in the same membrane entry.
- Material: SBS.
- Quantity: 10 pieces.
- Please note: The degree of protection becomes IP55.
- Suitable for walls from 2 to 3.2 mm (0.08 to 0.1 in.).

Ø mm (in.)		Qty.	Catalog number and colors	
Drill hole	Cable / conduit		RAL 9010 white	RAL 7035 light gray
23 (0.9)	4–20 (0.2–0.8)	10	<b>IMT36172</b>	<b>ISM71071</b>
29 (1.1)	4–25 (0.2–1.0)	10	<b>IMT36173</b>	<b>ISM71072</b>
36 (1.4)	4–32 (0.2–1.3)	10	-	<b>ISM71073</b>
44 (1.7)	4–40 (0.2–1.6)	10	-	<b>ISM71074</b>

### Installation of IP55 cable entries

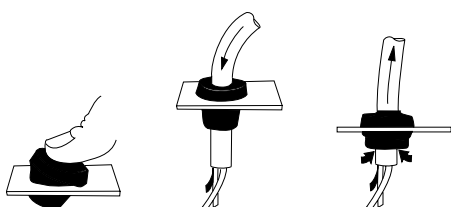
- Insertion of rigid cables:
  - Strip at least 100 mm (3.9 in.).
  - Push the wires through the membrane.
- Insertion of flexible cables:
  - Partially pierce and loosen the membrane with a 4 to 5.5-mm screwdriver.
  - Pass the cable through the membrane.
- Insertion of conduits:
  - Remove the necessary knockout size: 16, 20, 25, 32 or 40 mm (0.6, 0.8, 1.0, 1.3 or 1.6 in.).
  - Push the conduit through the membrane.



### IP67 quick cable entries

- IP67 protection.
- Material: EPDM plastic.
- Suitable for walls from 1 to 4 mm (0.5 to 2 mm) for catalog no. **IMT36179**.
- Quick installation with no tools.

ISO	Ø of drill hole: mm (in.)	Cable Ø: mm (in.)	Qty.	Catalog number
M12	12.5 (0.5)	3–5 (0.1–0.2)	50	<b>IMT36179</b>
M16	16 (0.6)	5–7 (0.2–0.3)	50	<b>IMT36180</b>
M20	20.3 (0.8)	7–10 (0.3–0.4)	50	<b>IMT36181</b>
M25	25.3 (1.0)	10–14 (0.4–0.6)	50	<b>IMT36182</b>
M32	32.4 (1.3)	14–20 (0.6–0.8)	50	<b>IMT36183</b>
M40	40.7 (1.6)	20–26 (0.8–1.0)	25	<b>IMT36184</b>
M50	50.7 (2.0)	26–35 (1.0–1.4)	25	<b>IMT36185</b>



### Installation of IP67 entries

- Push the cable entry into the hole. The conical end must be inserted into the box.
- Prepare and loosen the cable entry with a screwdriver. Pass the cable through the cable entry.
- Pull the cable back slightly to fix it in place. The installation is complete.

# Cable management

## Cable entries


### Cable gland, disc and plug selection table

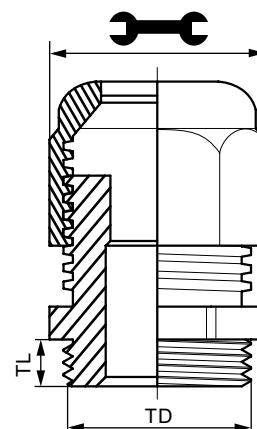
Ø	1-cable cable gland			Multi-cable disc		Gasket	Blanking plug	Transport plug
	Catalog no.	Ø min/max: mm (in.)	drill Ø (2)	Catalog no.	Number of Ø: mm (in.)			
M12	ISM71501	3/6.5 (0.1/0.3)	12.2 (0.5) [0 + 0.2]	-	-	IMT36151	IMT36161	-
M16	ISM71502	4/8 (0.2/0.3)	16.2 (0.6) [0 + 0.2]	IMT36157	2 × Ø 4 (0.2)	IMT36152	IMT36162	IMT36167
M20	ISM71503	6/12 (0.2/0.5)	20.2 (0.8) [0 + 0.2]	IMT36158	3 × Ø 4 (0.2)	IMT36153	IMT36163	IMT36168
M20 (1)	IMT36150	6/12 (0.2/0.5)	20.2 (0.8) [0 + 0.2]	IMT36158	3 × Ø 4 (0.2)	IMT36153	IMT36163	IMT36168
M25	ISM71504	11/17 (0.4/0.7)	25.2 (1.0) [0 + 0.2]	IMT36159	4 × Ø 5 (0.2)	IMT36154	IMT36164	IMT36169
M32	ISM71505	15/21 (0.6/0.8)	32.2 (1.3) [0 + 0.3]	IMT36160	6 × Ø 5 (0.2)	IMT36155	IMT36165	IMT36170
M40	ISM71506	19/28 (0.7/1.1)	40.5 (1.6) [0 + 0.3]	-	-	IMT36156	IMT36166	IMT36171

(1) Cable gland with high resistance to heat.  
 (2) In brackets: tolerance.



### ISO cable gland

Ø	Catalog number	TD	TL		Thread
M12	ISM71501	12	6	15	1.5
M16	ISM71502	16	8	19	1.5
M20	ISM71503 - IMT36150	20	10	24	1.5
M25	ISM71504	25	8	29	1.5
M32	ISM71505	32	10	36	1.5
M40	ISM71506	40	10	46	1.5



- IP68 protection, 5 bars.
- According to standard IEC 62208.
- RAL 7035 gray.
- Material: PA6, neoprene gasket.
- Usage temperature: - 30 ... + 80 °C up to + 150 °C intermittently.
- The cable glands are supplied with nuts.
- A gasket between the cable gland and the thermoplastic box is not required to maintain the IP68 degree of protection. A gasket is available as an accessory to maintain the seal for installation on steel enclosures.
- The cable gland (catalog no. **IMT36150**) is especially recommended for security circuits (glow wire resistance: 960 °C).
- Available in packs of 20 (M12 to M20), 10 (M25 and M32), 5 (M40).



Multi-cable disc

### Cable-gland gasket

- Available in packs of 100 (M12 to M25), 50 (M32), 25 (M40).

### Multi-cable disc

- It is possible to pass several cables through a single cable gland using the multi-cable disc.



Blanking plug

### Blanking plug

- Screws into the cable gland's place.
- Available in packs of 20 plugs (M12 to M15), 10 plugs (M32), 5 plugs (M40).



Transport plug

### Transport plug

- Blocks the cable gland during transport or during maintenance operations.
- Available in packs of 20 plugs (M16 to M25), 10 plugs (M32), 5 plugs (M40).

# Cable management

## Cable entries

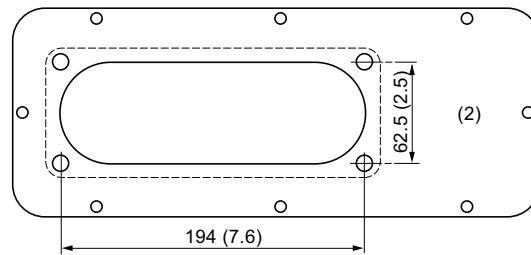
### FL21-type membranes for IP65 cable-entry plate

Total number of cable entries	Number of cable entries by cable entry diameter [mm (in.)]											Catalog number
	5-7 (0.2-0.3)	6-10 (0.2-0.4)	8-12 (0.3-0.5)	8-16 (0.3-0.6)	10-14 (0.4-0.6)	12-18 (0.5-0.7)	14-20 (0.6-0.8)	17-32 (0.7-1.3)	20-26 (0.8-1.0)	24-54 (0.9-2.1)	30-60 (1.2-2.4)	
0												NSYAECPLBP
7				4						2	1	NSYAECPLT7
25	4		4		12	4		1				NSYAECPLT25
35		2	14		16	2		1				NSYAECPLT35



Sealed cable entries made from insulating material (fire resistance: V0 according to UL 94).

- Provides IP65 degree of protection.
- Dark gray color.
- Installation on pre-cut plates (pages 3/30 and 3/31) or direct installation on the enclosures with our specific offer. Please contact us.
- 3 models: 7 to 35 cable entries.
- Cover for cut-out, catalog no. NSYAECPLBP.



### Features of the membranes

#### NSYAECPLT7

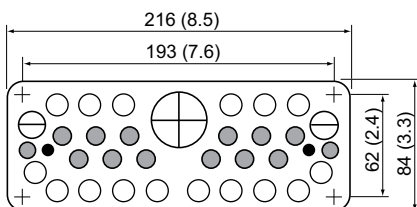
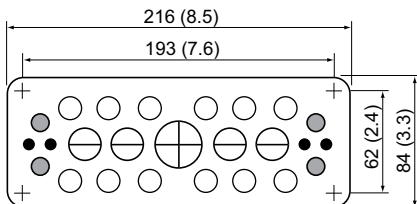
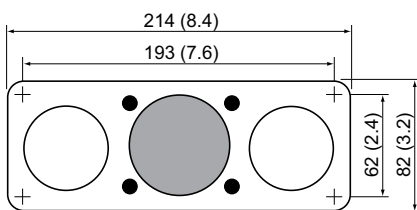
Symbol	For cable Ø: mm (in.)	No. of entries
●	8-16 (0.3-0.6)	4
○	24-54 (0.9-2.1)	2
⊕	30-60 (1.2-2.4)	1

#### NSYAECPLT25

Symbol	For cable Ø: mm (in.)	No. of entries
●	5-7 (0.2-0.3)	4
●	8-12 (0.3-0.5)	4
○	10-14 (0.4-0.6)	12
⊖	14-20 (0.6-0.8)	4
⊕	20-26 (0.8-1.0)	1

#### NSYAECPLT35

Symbol	For cable Ø: mm (in.)	No. of entries
●	6-10 (0.2-0.4)	2
●	8-12 (0.3-0.5)	14
○	10-14 (0.4-0.6)	16
⊖	12-18 (0.5-0.7)	2
⊕	17-32 (0.7-1.3)	1



# Cable management

## Cable entries



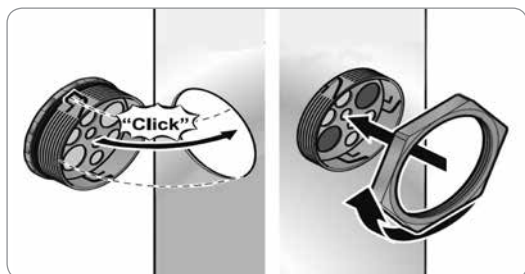
### IP65 connector-free cable entries: Two solutions to suit your application


#### Circular

Compact, flexible system for inserting cables in electrical enclosures or connection boxes.

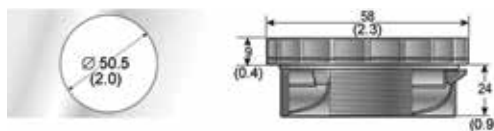
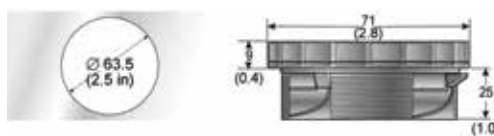
#### Specifications

- IP65 degree of protection.
- Fire resistance: V0.
- Cut-outs  $\varnothing$  50 and 63 mm ( $\varnothing$  2.0 and 2.5 in.).
- Installation by nut, up to Spacial wall-mounting steel enclosure size  $700 \times 500 \times 250$  mm ( $27.6 \times 19.7 \times 9.8$  in.).
- 2 installation methods are possible for sizes larger than  $700 \times 500 \times 250$  mm ( $27.6 \times 19.7 \times 9.8$  in.): clip on or screw on (screw-on installation recommended).



 Supply: 10 units.

 Catalog number by unit. Order in multiples of 10 (10, 20, 30...).



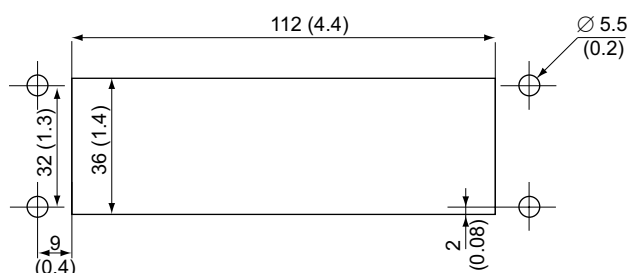
#### Rectangular

Compact, flexible system for inserting cables in electrical enclosures or connection boxes.

- External dimensions:  $146 \times 14 \times 58$  mm ( $5.7 \times 0.6 \times 2.3$  in.).
- Drill-hole diameter:  $112 \times 36$  mm ( $4.4 \times 1.4$  in.).

#### Specifications



- IP65 degree of protection.
- Fire resistance: V0.
- Identical cut-outs to the 24-point connectors.
- Screw-on installation up to Spacial wall-mounting steel enclosure size  $700 \times 500 \times 250$  mm ( $27.6 \times 19.7 \times 9.8$  in.).
- 2 installation methods are possible for sizes larger than  $700 \times 500 \times 250$  mm ( $27.6 \times 19.7 \times 9.8$  in.): clip on or screw on (screw-on installation recommended).



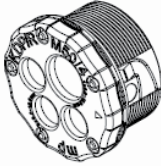
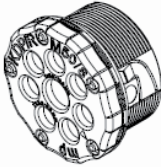
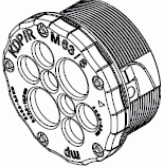
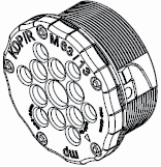
# Cable management

## Cable entries

### Selection guide

Type	No. of openings	Cut-out dimensions: Ø mm (in.)	Diameter of the cable entry: Ø mm (in.)							Catalog number
			3-5.5 (0.1-0.2)	4.3-8.1 (0.2-0.3)	3-6.5 (0.1-0.3)	3.6-6.5 (0.1-0.3)	5-9.2 (0.2-0.4)	6-10 (0.2-0.4)	8-12.5 (0.3-0.5)	
	4	50 (2.0)						3	1	NSYTSAM504SE
	8	50 (2.0)				7		1		NSYTSAM508SE
	8	63 (2.5)			2		4		2	NSYTSAM638SE
	13	63 (2.5)	6			6		1		NSYTSAM6313SE
	14	112 × 36 (4.4 × 1.4)			6		4			NSYTSAM2414SE
	17	112 × 36 (4.4 × 1.4)					17		4	NSYTSAM2417SE
	22	112 × 36 (4.4 × 1.4)			16		4	2		NSYTSAM2422SE
	23	112 × 36 (4.4 × 1.4)		23						NSYTSAM2423SE
	29	112 × 36 (4.4 × 1.4)			29					NSYTSAM2429SE

### Position of the holes on the circular cable entries with diameters 50 and 63 mm (2.0 and 2.5 in.)

Type	Hole diameter	Catalog number
	1 × Ø 9.6 to 15.9 mm (0.4 to 0.6 in.) 3 × Ø 6 to 10 mm (0.2 to 0.4 in.)	NSYTSAM504SE
	7 × Ø 6 to 10 mm (0.2 to 0.4 in.) 1 × Ø 6 to 10 mm (0.2 to 0.4 in.)	NSYTSAM508SE
	2 × Ø 3 to 6.5 mm (0.1 to 0.3 in.) 4 × Ø 5 to 9.2 mm (0.2 to 0.4 in.) 2 × Ø 9.6 to 15.9 mm (0.4 to 0.6 in.)	NSYTSAM638SE
	6 × Ø 3 to 5.5 mm (0.1 to 0.2 in.) 6 × Ø 3.6 to 6.5 mm (0.1 to 0.3 in.) 1 × Ø 6.0 to 10.0 mm (0.2 to 0.4 in.)	NSYTSAM6313SE



# Cable management

## Cable entries

### Dimensions and positions of the holes on a rectangular cable entry

Cable entries: mm (in.)	Type	Catalog number
6 × 3 to 6.5 (0.1 to 0.3) 4 × 5 to 9.2 (0.2 to 0.4) 4 × 9.6 to 15.9 (0.4 to 0.6)		NSY TSA2414SE
17 × 9.2 (0.4)		NSY TSA2417SE
29 × 3 to 6.5 (0.1 to 0.3)		NSY TSA2429SE
16 × 3 to 6.5 (0.1 to 0.3) 4 × 5 to 9.2 (0.2 to 0.4) 2 × 8 to 12.5 (0.3 to 0.5)		NSY TSA2422SE
23 × 4.3 to 8.1 (0.2 to 0.3)		NSY TSA2423SE

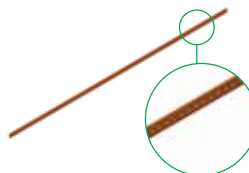
8



See also these accessories



Adjustable cable tie  
Page 8/82




Grounding accessories  
Page 8/101

# Cable management

## Cable entries

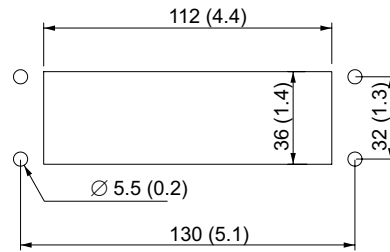
### Cable entry system with connectors

- Two-part system for inserting cables and hoses in the enclosures.
- Several ribbed gaskets adapted to the diameter of the cable.
- Models:
  - 24/0: plain.
  - 24/4: for two small gaskets with cable diameters between 3 and 14 mm (0.1 and 0.5 in.), and two large gaskets with cable diameters between 16 and 31 mm (0.6 and 1.2 in.).
  - 24/10: for 10 small gaskets with cable diameters between 3 and 14 mm (0.1 and 0.5 in.).
- Water/dustproof: IP54 for plate with entries, IP65 for plain plate.
- Identical recessing as for 24-point connectors.
- Material: PA.

 Supply: 1 plate and mounting hardware.





Cable-gland plates for connectors		
Types	No. of entries	Catalog number
Plate 24/0	0	<b>NSYDCE240</b>
Plate 24/4	4	<b>NSYDCE244</b>
Plate 24/10	10	<b>NSYDCE2410</b>

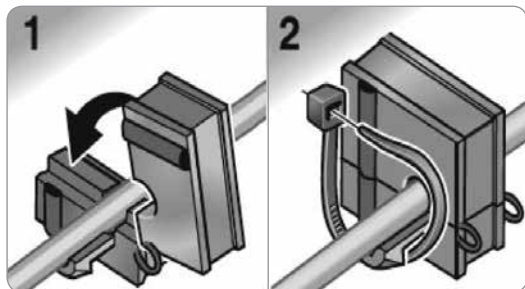


### Gaskets for cable entry system

- Ribbed gaskets adapted to the diameter of the cable.
- They are installed on the cable-gland plates for connectors.
- Models:
  - Small gaskets with diameters between 3 and 14 mm (0.1 and 0.5 in.).
  - Large gaskets with diameters between 16 and 31 mm (0.6 and 1.2 in.).
- Material: thermoplastic rubber.

 Supply: 10 units.

 Catalog number by unit. Order in multiples of 10 (10, 20, 30...).



	Ø cable: mm (in.)	Catalog number
Small gasket	Plain	<b>NSYCEJD</b>
	3–4 (0.1–0.2)	<b>NSYCEJD3</b>
	5–6 (0.2)	<b>NSYCEJD5</b>
	7–8 (0.3)	<b>NSYCEJD7</b>
	9–10 (0.4)	<b>NSYCEJD9</b>
	11–12 (0.4–0.5)	<b>NSYCEJD11</b>
	13–14 (0.5–0.6)	<b>NSYCEJD13</b>
	16–17 (0.6–0.7)	<b>NSYCEJD16</b>
	18–19 (0.7)	<b>NSYCEJD18</b>
	20–21 (0.8)	<b>NSYCEJD20</b>
Large gasket	22–23 (0.9)	<b>NSYCEJD22</b>
	24–25 (0.9–1.0)	<b>NSYCEJD24</b>
	26–27 (1.0–1.1)	<b>NSYCEJD26</b>
	28–29 (1.1)	<b>NSYCEJD28</b>
	30–31 (1.2)	<b>NSYCEJD30</b>

# Cable management

## Cable entries



### PVC adjustable cone-shaped entries

PVC insulating cone-shaped entries which can be cut to fit the cable size. Installation on insulating distribution boxes and protection boxes; generally suitable for thicknesses matching the dimension E.

Fig.	Ø A: mm (in.)	Ø B*: mm (in.)	Ø C: mm (in.)	Ø D: mm (in.)	E: mm (in.)	F: mm (in.)	Capacity		Quantity	Catalog number
							Cable Ø: mm (in.)	Tube		
1	25 (1.0)	21.5 (0.8)	18 (0.7)	5 (0.2)	3.2 (0.1)	13 (0.5)	5 to 18 (0.2 to 0.7)	Pg. 9 to 11	50	NSYECPC3
1	33 (1.3)	29.5 (1.2)	26 (1.0)	5 (0.2)	3.2 (0.1)	20 (0.8)	5 to 26 (0.2 to 1.0)	Pg. 9 to 16	25	NSYECPC5
1	43 (1.7)	38.5 (1.5)	36 (1.4)	5 (0.2)	3.2 (0.1)	22 (0.9)	5 to 36 (0.2 to 1.4)	Pg. 9 to 21	25	NSYECPC6
2	70 (2.8)	63 (2.5)	60 (2.4)	28 (1.1)	3 (0.1)	20 (0.8)	28 to 60 (1.1 to 2.4)	Pg. 21 to 48	10	NSYECPC9
2	98 (3.9)	90 (3.5)	87 (3.4)	28 (1.1)	3 (0.1)	23 (0.9)	28 to 87 (1.1 to 3.4)	Pg. 21 to 48	10	NSYECPC15

\*Drill-hole for mounting.

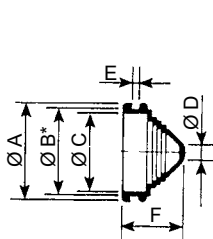


Figure 1

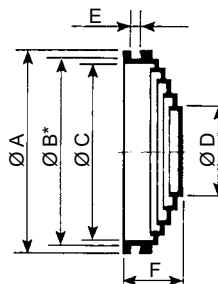


Figure 2

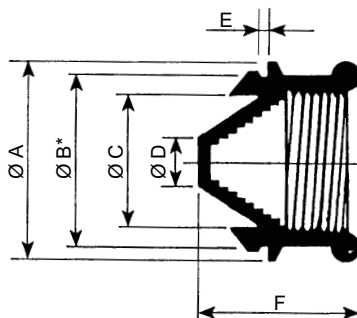


### PVC adjustable cone-shaped entries

PVC insulating cone-shaped entries, threaded for the entry of Pg tubes and detachable rear for cable entry. They allow the entry of all types of normal and flexible cables and tubes, with diameters between the dimension B and the thread root (maximum Ø).

Ø A: mm (in.)	Ø B*: mm (in.)	Ø C: mm (in.)	Ø D: mm (in.)	E: mm (in.)	F: mm (in.)	Capacity		Quantity	Catalog number
						Cable Ø: mm (in.)	Tube		
25 (1.0)	19.5 (0.8)	16 (0.6)	3 (0.1)	1.2 (0.05)	21 (0.8)	3 to 16 (0.1 to 0.6)	Pg. 9	50	NSYEC1
25 (1.0)	19.5 (0.8)	16 (0.6)	6 (0.2)	1.2 (0.05)	21 (0.8)	6 to 16 (0.2 to 0.6)	Pg. 11	50	NSYEC2
27 (1.1)	21.5 (0.8)	18 (0.7)	7 (0.3)	1.2 (0.05)	23 (0.9)	7 to 18 (0.3 to 0.7)	Pg. 13.5	50	NSYEC3
29.5 (1.2)	23.5 (0.9)	20 (0.8)	8 (0.3)	1.2 (0.05)	26 (1.0)	8 to 20 (0.3 to 0.8)	Pg. 16	25	NSYEC4
35 (1.4)	29.5 (1.2)	26 (1.0)	10 (0.4)	1.2 (0.05)	27 (1.1)	10 to 26 (0.4 to 1.0)	Pg. 21	25	NSYEC5
42 (1.7)	38.5 (1.5)	35 (1.4)	12 (0.5)	1.5 (0.06)	30 (1.2)	12 to 35 (0.5 to 1.4)	Pg. 29	25	NSYEC6
52 (2.0)	48.5 (1.9)	44 (1.7)	13 (0.5)	1.5 (0.06)	30 (1.2)	13 to 44 (0.5 to 1.7)	Pg. 36	25	NSYEC7

\*Drill-hole for mounting.



# Cable management

## Cable entries



### Neoprene adjustable cone-shaped entries

Neoprene adjustable cone-shaped entries. This material has excellent mechanical, dielectric and thermal properties and can resist corrosive environments.



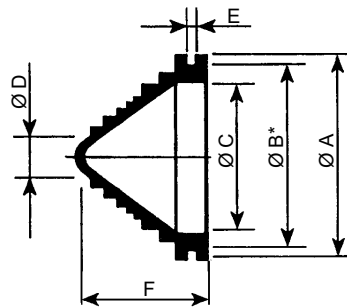
Supply: 25 units.



Catalog number by unit. Order in multiples of 25 (25, 50, 75...).

Ø A: mm (in.)	Ø B*: mm (in.)	Ø C: mm (in.)	Ø D: mm (in.)	E: mm (in.)	F: mm (in.)	Capacity		Quantity	Catalog number
						Cable Ø: mm (in.)	Tube		
24 (0.9)	19.5 (0.8)	14 (0.6)	8.6 (0.3)	1.75 (0.07)	20 (0.8)	8.6 to 14 (0.3 to 0.6)	-	50	<b>NSYECN1</b>
34 (1.3)	29.5 (1.2)	26 (1.0)	9 (0.4)	1.75 (0.07)	22 (0.9)	9 to 26 (0.4 to 1.0)	Pg. 9 to 16	25	<b>NSYECN5</b>
43 (1.7)	38.5 (1.5)	32 (1.3)	9 (0.4)	1.75 (0.07)	28 (1.1)	9 to 32 (0.4 to 1.3)	Pg. 9 to 21	25	<b>NSYECN6</b>
53 (2.1)	48.5 (1.9)	36 (1.4)	9 (0.4)	1.75 (0.07)	32 (1.3)	9 to 36 (0.4 to 1.4)	Pg. 9 to 29	25	<b>NSYECN7</b>
71 (2.8)	65 (2.6)	60 (2.4)	9.2 (0.4)	1.75 (0.07)	40 (1.6)	9.2 to 60 (0.4 to 2.4)	Pg. 9 to 48	10	<b>NSYECN10</b>

\*Drill-hole for mounting.



# Cable management

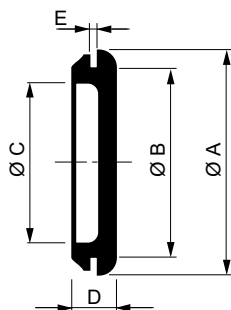
## Cable entries



### Plugs


Made from black PVC, the plugs are suitable for all diameters of knock-out holes on the boxes.


Ø A: mm (in.)	Ø B: mm (in.)	Ø C: mm (in.)	D: mm (in.)	E: mm (in.)	Quantity	Catalog number
25.5 (1.0)	20 (0.8)	16.5 (0.6)	7 (0.3)	1.2 (0.05)	50	<b>NSYTC1</b>
27.5 (1.1)	22 (0.9)	19 (0.7)	7 (0.3)	1.2 (0.05)	50	<b>NSYTC2</b>
29.5 (1.2)	24 (0.9)	21 (0.8)	7 (0.3)	1.2 (0.05)	50	<b>NSYTC3</b>
36.5 (1.4)	29.5 (1.2)	27 (1.1)	7 (0.3)	1.5 (0.06)	25	<b>NSYTC4</b>
46.5 (1.8)	39 (1.5)	35 (1.4)	7.5 (0.3)	1.5 (0.06)	25	<b>NSYTC5</b>
56.5 (2.2)	49 (1.9)	45 (1.8)	7.5 (0.3)	1.5 (0.06)	25	<b>NSYTC6</b>



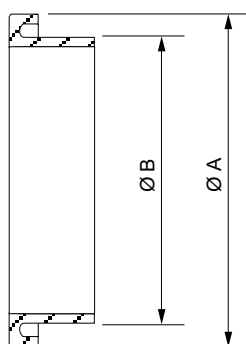
### Protection rings

Protection rings for cables at the exit of the tubes. They are made from flexible, strong, light-gray PVC.

 Supply: 100 units.

 Catalog number by unit. Order in multiples of 100 (100, 200, 300...).

A: mm (in.)	Ø B: mm (in.)	Tube	Cat. numbers
15.2 (0.6)	12.7 (0.5)	Pg. 9	<b>NSYPC1</b>
18.6 (0.7)	16 (0.6)	Pg. 11	<b>NSYPC2</b>
20.4 (0.8)	17.8 (0.7)	Pg. 13.5	<b>NSYPC3</b>
22.5 (0.9)	19.8 (0.8)	Pg. 16	<b>NSYPC4</b>
28.3 (1.1)	25.3 (1.0)	Pg. 21	<b>NSYPC5</b>
37 (1.5)	33.6 (1.3)	Pg. 29	<b>NSYPC6</b>
47 (1.9)	43 (1.7)	Pg. 36	<b>NSYPC7</b>



# Cable management

## Cable support



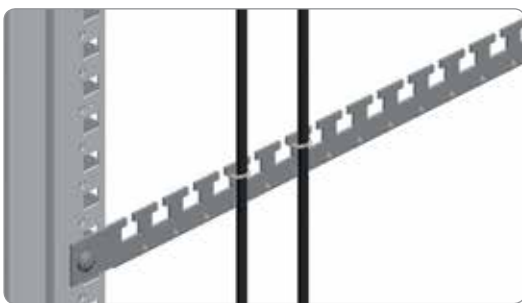
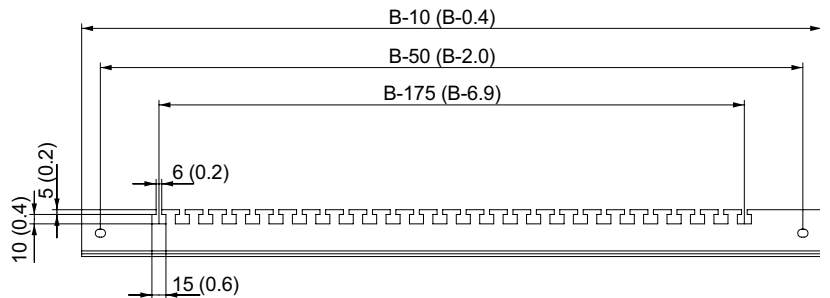
For ranges  
SF, SM, SFX, SMX

### Lower cable-guide cross-rail

- The cross rail allows quick mounting of cables entering and exiting the enclosure.
- Depth adjustable every 25 mm (1 in.).
- Spacial SF: for modular enclosures with widths of 1200 and 1600 mm (47.2 and 63.0 in.), use the adaptation kit for 2-door modular enclosures, see page 8/19.
- Spacial SM: for floor-standing enclosures with a width of 1200 mm (47.2 in.), a top/bottom mounting rail installed in the central position is required. See page 8/21.
- Spacial SFX: no adaptation piece is required for the 1200-mm (47.2 in.) modular enclosures.
- Spacial SMX: no adaptation piece is required for the 1600-mm (47.2 in.) floor-standing enclosures.
- Material: galvanized steel.

Supply: 1 cable-guide cross-rail and mounting hardware.

Spacial dimensions: mm (in.)		Catalog number
Width (B)		
600 (23.6)		<b>NSYCFP60</b>
800 (31.5)		<b>NSYCFP80</b>
1000 (39.4)		<b>NSYCFP100</b>
1200 (47.2)		<b>2 × NSYCFP60</b>
1600 (63.0)		<b>2 × NSYCFP80</b>



For ranges  
SF, SM, SFX, SMX

### Cable-guide cross-rails for framework

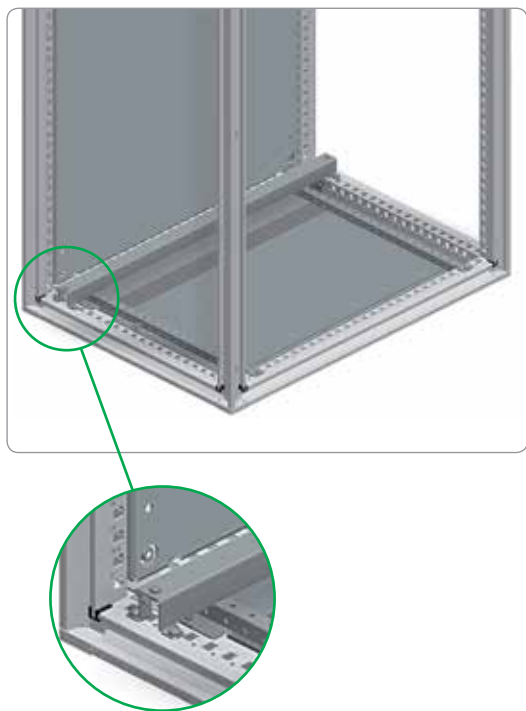
- Spacial SF and SFX: support for direct mounting on the framework, cross-rails or rails.
- Spacial SM: mounting on the bottom mounting rail, or on the floor-standing enclosure by means of adaptation rails and 40-mm (1.6 in.) universal cross-rails (1 row) in vertical position.
- Spacial SMX: mounting on the bottom mounting rail and 40-mm (1.6 in.) universal cross-rails (1 row) in vertical position.
- Support types:
  - Angle support at 90°: for vertical cable mounting.
  - Angle support at 120°: for mounting cables near the cable entry.
- Material: zinc-coated steel.

Supply: 2 supports and mounting hardware.

Nominal dimensions: mm (in.)		Support angle	Catalog number
Width/Depth (B/C)			
600 (23.6)		90°	<b>NSYCFS96</b>
		120°	<b>NSYCFS126</b>
800 (31.5)		90°	<b>NSYCFS98</b>
		120°	<b>NSYCFS128</b>


# Cable management

## Cable support



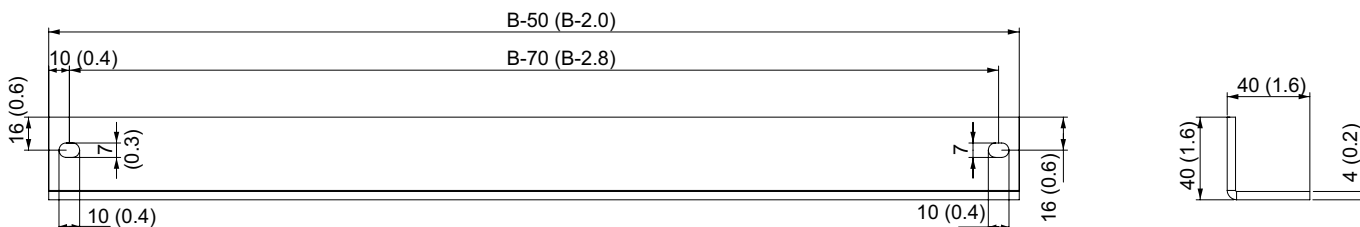
### L-rail for mounting cables

- Rail for mounting cables entering from the bottom.
- **Spacial SF and SFX:** the L-rail mounts to the bottom frame, above the cable entry, or to the plinth, using the plinth cross rails, see page 4/45.
- **Spacial SM and SMX:** mounts to the bottom adjustment rails, above the cable entry, or to the plinth, using the plinth cross rails, see page 4/45.
- Adjustable depth with a pitch of 25 mm (1.0 in.).
- The cables are mounted to the rail by means of metal clamps.
- Material: zinc-coated steel.
- It is not possible to mount the L-rail on a plinth cross rail.

 Supply: one rail, two mounting supports and mounting hardware.

Nominal dimensions: mm (in.)		Catalog number
Width		
600	(23.6)	<b>NSYFCG60</b>
800	(31.5)	<b>NSYFCG80</b>
1000	(39.4)	<b>NSYFCG100</b>
1200	(47.2)	<b>NSYFCG120</b>
1600	(63.0)	<b>NSYFCG160</b>

**[** For ranges SF, SM, SFX, SMX **]**



# Cable management

## Cable support



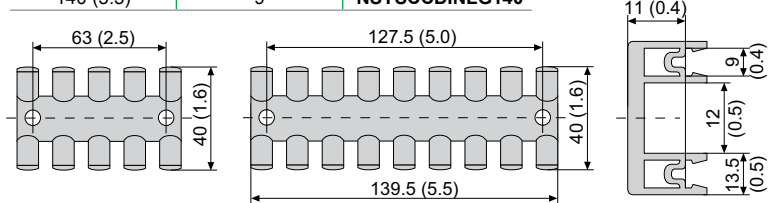
### Plastic cable support

- The plastic cable support clips or screws onto 35-mm (1.4 in.) symmetric rails or a C-shaped rail.
- Quick and easy mounting of cables using cable ties.

Supply: 10 units.

Catalog number by unit. Order in multiples of 10 (10, 20, 30...).

Width: mm (in.)	Maximum no. of cables	Catalog number
75 (3.0)	5	<b>NSYSCCDINLG75</b>
140 (5.5)	9	<b>NSYSCCDINLG140</b>



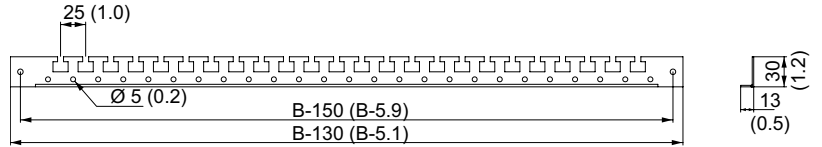
**[ For ranges SF, SM, SFX, SMX ]**

### Door cable-guide cross rail

- Recommended for mounting cables on the inside of the door.
- Direct mounting on the reinforcement frame.
- Height adjustable every 25 mm (1.0 in.).
- Material: zinc-coated steel.

Supply: 2 cable-guide cross-rails and mounting hardware.

Spacial dimensions: mm (in.)	Catalog number
Width (B)	
500 (19.7)	<b>NSYSDGCR5</b>
600 (23.6)	<b>NSYSDGCR6</b>
800 (31.5)	<b>NSYSDGCR8</b>
1000 (39.4)	<b>NSYSDGCR10</b>



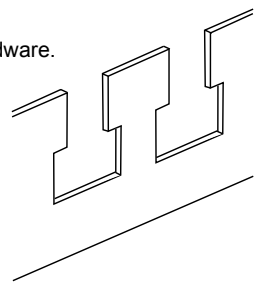
**[ For ranges S3DC, CRN, S3X ]**

### Door cable-guide cross-rails for wall-mounting enclosures

- The cross rails are installed on wall-mounting enclosures with heights from 400 mm (15.7 in.) for Spacial S3DC/CRN and 500 mm (19.7 in.) for Spacial S3X.
- They are mounted to the door reinforcement frame by 2 self-tapping screws. The angle can be directed towards the body of the enclosure or towards the door.
- The cross rails make it easy to equip the inside of the door.
- Installation cable ties, page 8/82.

Supply: 2 cable-guide cross-rails and mounting hardware.

Door width: mm (in.)	Catalog number
400 (15.7)	<b>NSYTFPCR4</b>
500 (19.7)	<b>NSYTFPCR5</b>
600 (23.6)	<b>NSYTFPCR6</b>
800 (31.5)	<b>NSYTFPCR8</b>
1000 (39.4)	<b>NSYTFPCR10</b>

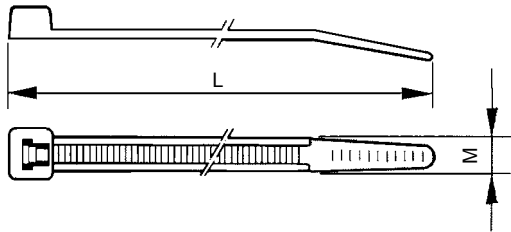




# Cable management

## Cable support

### Adjustable cable tie



- Polyamide 6/6.
- Operation temperature: -40 ... +85 °C (-40 ... +185 °F).
- Melting point: 250 °C (482 °F).
- Flame resistance according to UL 94 V-2.
- Glow-wire resistance at 650 °C / 30 s (1202 °F / 30 s).
- Not sensitive to engine oil, greases, oil products, etc.
- Good resistance to bases, organic acids and chlorinated solvents. Not resistant to phenol.

Supply: 1000 units.

Catalog number by unit. Order in multiples of 1000 (1000, 2000, 3000...).

Width: mm (in.)	Length: mm (in.)	Maximum tightening Ø: mm (in.)	Minimum resistance to pulling: kg (lbs)	Catalog number	
				Colorless	Black
2.5 (0.1)	100 (3.9)	18 (0.7)	8.2 (18.1)	<b>NSYLZ25100</b>	<b>NSYLN25100</b>
2.5 (0.1)	200 (7.9)	50 (2.0)	8.2 (18.1)	<b>NSYLZ25200</b>	<b>NSYLN25200</b>
3.5 (0.1)	200 (7.9)	49 (1.9)	8 (17.6)	-	<b>NSYLN35200</b>
3.6 (0.1)	140 (5.5)	33 (1.3)	13.6 (30.0)	<b>NSYLZ35140</b>	<b>NSYLN35140</b>
3.6 (0.1)	200 (7.9)	50 (2.0)	13.6 (30.0)	<b>NSYLZ35200</b>	<b>NSYLN35200</b>
3.6 (0.1)	295 (11.6)	76 (3.0)	13.6 (30.0)	<b>NSYLZ35290</b>	<b>NSYLN35290</b>
4.6 (0.2)	150 (5.9)	36 (1.4)	22 (48.5)	<b>NSYLZ48160</b>	<b>NSYLN48160</b>
4.6 (0.2)	390 (15.4)	109 (4.3)	22 (48.5)	<b>NSYLZ48390</b>	-
4.8 (0.2)	200 (7.9)	50 (2.0)	22.7 (50.0)	<b>NSYLZ48200</b>	<b>NSYLN48200</b>
4.8 (0.2)	270 (10.6)	73 (2.9)	22.7 (50.0)	<b>NSYLZ48280</b>	<b>NSYLN48280</b>
7.6 (0.3)	368 (14.5)	102 (4.0)	54.5 (120.2)	<b>NSYLZ76380</b>	<b>NSYLN76380</b>



### Captive clips

The clips allow cable ties from series LZ25100 to LZ46390 to be mounted on panels with thicknesses of up to 3.2 mm (0.1 in.). Material: 6.6 nylon.

Supply: 100 units.

Catalog number by unit. Order in multiples of 100 (100, 200, 300...).

Drill-hole Ø, mm (in.)	Max. panel thickness, mm (in.)	Figure	Catalog number
6 (0.2)	3.2 (0.1)	1	<b>NSYSFC1</b>

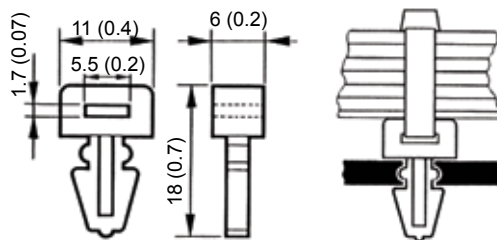


Fig. 1

# Cable management

## Cable support



### Cable-tie mounting support

For the installation of one or two cable-ties with a single screw. Material: 6.6 nylon. Compatible with the entire range of cable ties.

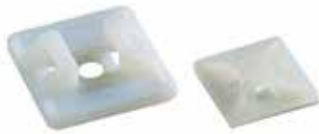
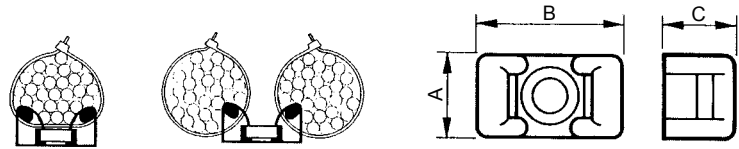


Supply: 100 units.



Catalog number by unit. Order in multiples of 100 (100, 200, 300...).

A: mm (in.)	B: mm (in.)	C: mm (in.)	Mounting screw	Acceptable cable-tie width: mm (in.)	Catalog number
12 (0.5)	18 (0.7)	9 (0.4)	M4	2.5–4.8 (0.1–0.2)	<b>NSYKR6</b>
14.5 (0.6)	25 (1.0)	12 (0.5)	M6	2.5–7.6 (0.1–0.3)	<b>NSYKR8</b>



### Self-adhesive support bases

- Material: colorless 6/6 polyamide.



Supply: 100 units.



Catalog number by unit. Order in multiples of 100 (100, 200, 300...).

H: mm (in.)	W: mm (in.)	D: mm (in.)	Mounting screws	Catalog number
6 (0.2)	19 (0.7)	19 (0.7)	3.6	<b>NSYMB3A</b>
8 (0.3)	26.5 (1.0)	26.5 (1.0)	4.8	<b>NSYMB4A</b>



NSYMB3A  
NSYMB4A

# Cable management

## Cable distribution



### Corrugated cable-gland tube

- Corrugated tube allowing cables to pass between the structure and the door.
- Free from halogens and heavy metals.
- UV protection.
- Material: low-density polyethylene (LDPE), black.



Supply: one 25 m (82.0 ft) reel.

Nominal diameter: mm (in.)	Inner Ø: mm (in.)	Outer Ø: mm (in.)	Catalog number
17 (0.7)	16.6 (0.7)	21.2 (0.8)	<b>NSYCPT17</b>
29 (1.1)	29 (1.1)	34.5 (1.4)	<b>NSYCPT29</b>
37 (1.5)	36 (1.4)	42.4 (1.7)	<b>NSYCPT37</b>
50 (2.0)	47.7 (1.9)	54.5 (2.1)	<b>NSYCPT50</b>



### Mounting support for corrugated tube

- Mounting support for the corrugated tube, offering the following mounting options:
  - Directly on the enclosure.
  - On a swing 19" rack and/or cross rails, by means of a mounting point.
- The supports can be joined together to form sets of tubes, allowing better cable distribution.
- The support includes the base.
- It allows the tube to rotate once it has been mounted to the support and prevents removal of tubes subject to pulling forces.
- Material: polyamide (PA), black.



Supply: ten units and mounting hardware.



Catalog number by unit. Order in multiples of 10 (10, 20, 30...).

Nominal diameter: mm (in.)	Catalog number
17 (0.7)	<b>NSYCPTS17</b>
29 (1.1)	<b>NSYCPTS29</b>
37 (1.5)	<b>NSYCPTS37</b>
50 (2.0)	<b>NSYCPTS50</b>



# Cable management

## Cable distribution



### Cable-gland for body/door

- Spiral strip for bundling cables.
- Allows cables to enter between the body and the door.



Supply: one 50 m (164.0 ft) reel.

Color	Tightening range: mm (in.)	Inner Ø: mm (in.)	Outer Ø: mm (in.)	Catalog number
Colorless	12 to 100 (0.5 to 3.9)	9 (0.4)	12 (0.5)	<b>NSYTC12100</b>

# Cable management

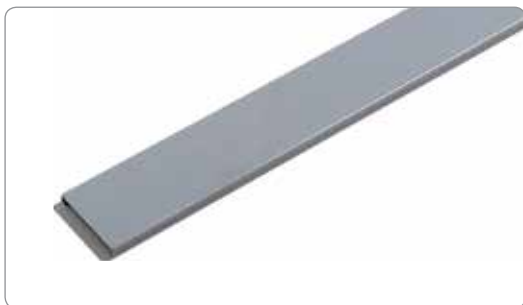
## Cable ducts and duct support



### Cable ducts with cover

- Rigid PVC material; with lateral through slots and rear perforations. Supplied in lengths of 2 m (6.6 ft). RAL 7030 gray color.
- Compliance with standards VDE 0660/506 and DIN 43659.
- Temperature resistance: -5 ... +60 °C.
- Behavior in fire: material V0 according to UL 94.
- Fire resistance: 960 °C according to IEC 60695-2-1/1.

Dimensions: mm (in.)		Maximum capacity	Supply: m (ft)	Catalog number
Width	Height			
25 (1.0)	25 (1.0)	25	48 (157.5)	<b>NSYCD2M2525</b>
25 (1.0)	50 (2.0)	65	48 (157.5)	<b>NSYCD2M2550</b>
37.5 (1.5)	50 (2.0)	110	24 (78.7)	<b>NSYCD2M3750</b>
37.5 (1.5)	75 (3.0)	160	24 (78.7)	<b>NSYCD2M3755</b>
50 (2.0)	50 (2.0)	160	24 (78.7)	<b>NSYCD2M5050</b>
50 (2.0)	75 (3.0)	240	24 (78.7)	<b>NSYCD2M5075</b>
75 (3.0)	25 (1.0)	110	48 (157.5)	<b>NSYCD2M7525</b>
75 (3.0)	50 (2.0)	250	24 (78.7)	<b>NSYCD2M7550</b>
75 (3.0)	75 (3.0)	400	24 (78.7)	<b>NSYCD2M7575</b>
100 (3.9)	75 (3.0)	550	12 (39.4)	<b>NSYCD2M10075</b>
125 (4.9)	75 (3.0)	700	12 (39.4)	<b>NSYCD2M12575</b>



### Covers for cable duct


- Replacement cable duct covers.
- Supplied in lengths of 2 m (6.6 ft).


For cable duct: mm (in.)	Supply: m (ft)	Catalog number
25 (1.0)	48 (157.5)	<b>NSYCDC2M25</b>
37.5 (1.5)	24 (78.7)	<b>NSYCDC2M37</b>
50 (2.0)	24 (78.7)	<b>NSYCDC2M50</b>
75 (3.0)	24 (78.7)	<b>NSYCDC2M75</b>
100 (3.9)	12 (39.4)	<b>NSYCDC2M100</b>
125 (4.9)	12 (39.4)	<b>NSYCDC2M125</b>



### Retention bars

- Mounted between 2 cable-duct slats with a hinged screw, preventing cable dropout.
- They can be cut to length to adapt to the width of the ducting.
- Material: flameproof high-impact polystyrene.

 Supply: 50 units.

 Catalog number by unit. Order in multiples of 50 (50, 100, 150...).

**Catalog number**  
**NSYCDRB**

# Cable management

## Cable ducts and duct support



For ranges  
SF, SM, S3DC, CRN,  
PLA, S3X, SFX

### Ø 22-mm (0.9 in.) cable-duct support

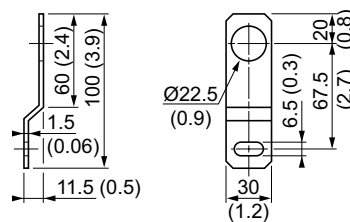
- Installed on the door of the wall-mounting or floor-standing enclosure associated with Ø 22-mm (0.9 in.) elements.
- Material: treated steel.

Supply: 10 units.

Catalog number by unit. Order in multiples of 10 (10, 20, 30...).

Catalog number

NSYSPCP



For ranges  
SF, SM, SFX,  
SMX, PLA

### Ducting support on technical upright

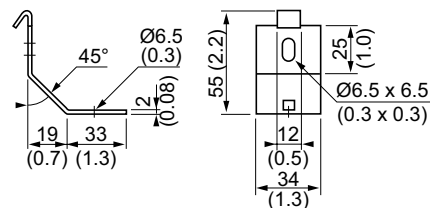
- Allows cable ducts to be installed on technical uprights, while increasing the usable surface of the equipment (up to 20% according to the width of the cable duct).
- Material: galvanized steel.

Supply: 10 units.

Catalog number by unit. Order in multiples of 10 (10, 20, 30...).

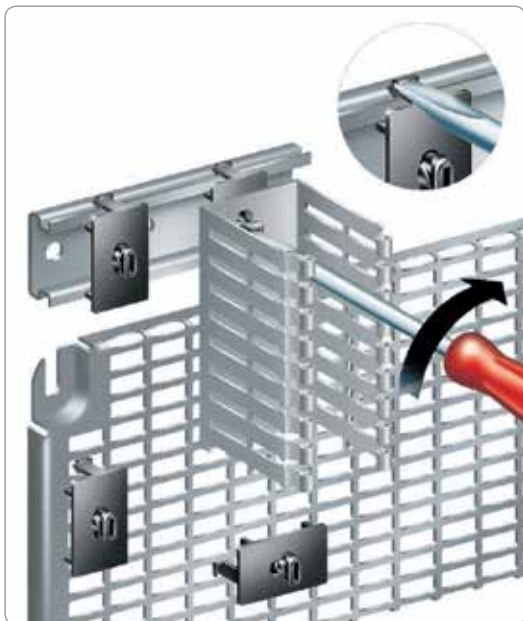
Catalog number

NSYCD5



# Cable management

## Cable ducts and duct support



### Plastic foot for cable-duct support

- Clips onto the Telequick mounting plate or the 35-mm (1.4 in.) DIN rail.
- Includes a bolt for mounting the cable ducts through the 6.5 × 14-mm (0.3 × 0.6 in.) drill holes made in the back.
- The 2 functions, clipping and bolting, provide considerable time savings.
- Material: black polyamide. Behavior in fire: V0 according to UL 94.
- Respects electrical insulation.



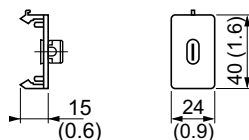
Supply: 20 units.



Catalog number by unit. Order in multiples of 20 (40, 20, 60...).

#### Catalog number

**NSYSPC**



### Label frame

- In transparent plastic. The label frame clips onto the slats of the cable ducts. Paper labels supplied.
- Material: polycarbonate.



Supply: 50 units.



Catalog number by unit. Order in multiples of 50 (50, 100, 150...).

#### Catalog number

**NSYCDL**



### Insulated-head screw

- M5 × 10-mm (0.4 in.) slotted hexagonal head.
- Respects electrical insulation.



Supply: 100 units.



Catalog number by unit. Order in multiples of 100 (100, 200, 300...).

#### Catalog number

**NSYSM10M5HP**

# Cable management

## Cable ducts and duct support



### Lyre-shaped clamps

- Clip-on clamps designed for direct installation on the 19" racks and Telequick mounting plates.



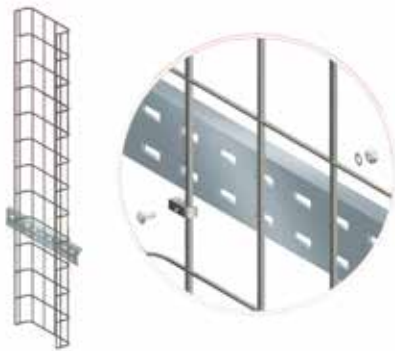
Supply: 10 units.



Catalog number by unit. Order in multiples of 10 (10, 20, 30...).

**Catalog number**

**NSYGCR**



### Steel wire cable tray

- Mounting on the cable supports.
- Made from zinc-coated steel wire.
- Dimensions (2 types):
  - 1845 × 200 × 35 mm (72.6 × 7.9 × 1.4 in.).
  - 1845 × 200 × 54 mm (72.6 × 7.9 × 2.1 in.).



Supply: 1 vertical steel wire cable tray and mounting hardware.

Necessary depth: mm (in.)	Catalog number
35 (1.4)	<b>NSYBPC3</b>
70 (2.8)	<b>NSYBPC5</b>



# Lighting accessories

## Lamps



Mounting by sliding brackets.



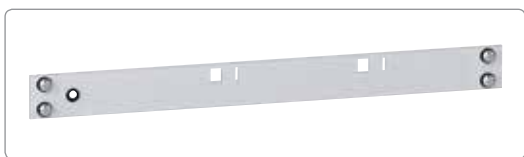
Mounting to DIN rail.



Magnetic mounting.



Mounting by screws.



### Technical data

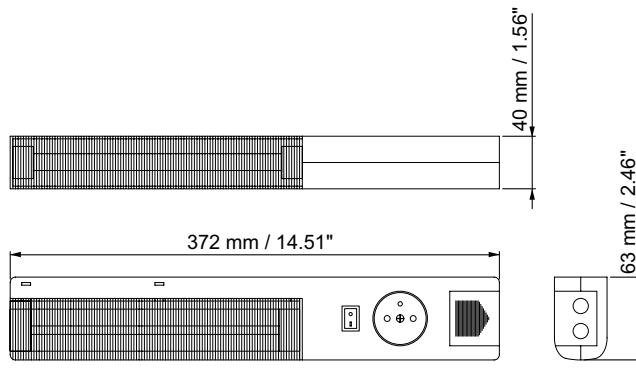
- Fluorescent base: 2 G11.
- Built-in switch.
- Power consumption: 11 W.
- Frequency: 50/60 Hz.
- Luminosity: 900 Lm.
- Color: RAL 7035.
- Light temperature: 4500 K.
- Fluorescent tube service life: 8000 h.
- Connection: max. 2.5-mm<sup>2</sup> terminals, with cable tie.
- Casing: plastic, UL94-V0.
- Degree of protection: IP20.
- Degree of insulation: class I - lamps with socket.  
class II - lamps without socket.
- Compliant with RoHS and Reach.
- Operating/storage temperature: -16 °C to +65 °C (-3 °F to +149 °F).  
-40 °C to +70 °C (-40 °F to +158 °F).

### Standards:

- IEC 61000-6-4.
- UL508A: for installation in enclosures that comply with standard UL508A.
- UL94: for plastic components.



Supply: 1 lamp and mounting hardware.



Description	Voltage	Socket	Catalog number
Multi-mounting with socket	230 V	Schuko	NSYLAMCS
Multi-mounting with socket	230 V	UTE	NSYLAMCF
Multi-mounting with socket	230 V	British	NSYLAMCB
Multi-mounting with socket	120 V	UL-CSA	NSYLAMCU
Multi-mounting without socket	230 V	-	NSYLAMC
Multi-mounting with presence detection	230 V	-	NSYLAMCD

### Rack for VDI

1 U, 19" rack. For lamp installation in VDI enclosures. Supplied with mounting hardware.

Description	Catalog number
1 U 19" rack for lamp	NSYLAM1U

# Lighting accessories

## Lamps



Figure 1.

### Cost-effective lamp

These lamps offer excellent value for money and can adapt to most installations.

### Small size

Designed for installation in the smallest wall-mounting enclosures or the largest assemblies of modular enclosures.

Its compact size allows it to be mounted to the frame of the enclosure door without impeding access to the equipment or enclosure maintenance (Figure 1).

### Interconnection

The lamps can be interconnected easily using a 1 m cable supplied as standard, and they can be installed in different locations of the same enclosure or of different enclosures, up to a maximum of 10 lamps (Figure 2).

This reduces installation time and makes it possible to control several lamps with a single door switch.

### Two mounting options as standard

The two mounting modes allow it to be installed in most enclosures on the market. Quick mounting saves installation time and makes it easier to select the best location within the enclosure.

Mounting modes:

- Mounting by adapter brackets: designed to enable mounting on any structural rail of the Spacial SF, SFX, SM, SMX, SD and SDX enclosures and on all uprights or cross-rails with the same cut-outs. Also suitable for mounting in polyester enclosures and other surfaces in which the brackets can be mounted.
- Magnetic mounting: provides the most versatile mounting in any metal enclosure\*.

\* Does not apply to stainless-steel enclosures.



Figure 2.



ENVIRONMENTALLY FRIENDLY



TIME SAVING

# Lighting accessories

## Lamps

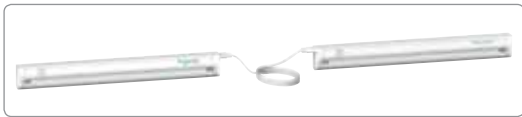
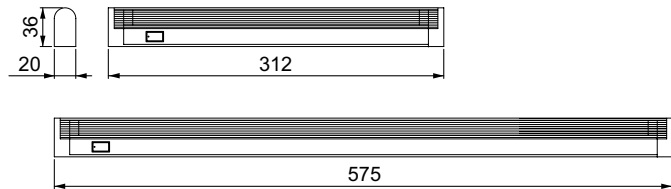


### Technical data

- Fluorescent: T5.
- Built-in switch.
- Color: RAL 9002.
- Light temperature: 4500 K.
- Fluorescent tube service life: 8000 h.
- Power cable: 3 m with connector and no plug at the end.
- Interconnection cable: 1 m with connectors.
- Casing: plastic, UL94-V0.
- Degree of protection: IP20.
- Degree of insulation: class I.
- Compliant with RoHS and Reach.
- Operating/storage temperature:  $-16\text{ °C to }+65\text{ °C}$  ( $-3\text{ °F to }+149\text{ °F}$ ).
- $-40\text{ °C to }+70\text{ °C}$  ( $-40\text{ °F to }+158\text{ °F}$ ).

### Standards:

- IEC 61000-6-4.
- UL94.



### Interconnection

The lamps can be interconnected and use a single power source:

- 8 W lamps: max. 10 lamps interconnected.
- 14 W lamps: max. 5 lamps interconnected.



Supply: 1 lamp and mounting hardware.



Power	Voltage	Frequency	Lumens*	Dimensions		Catalog number
				(mm)	(in.)	
8 W	220 V	50-60 Hz	400 lm	213 × 20 × 36	12.17 × 0.78 × 1.40	<b>NSYLAM8T5</b>
14 W	220 V	50-60 Hz	650 lm	575 × 20 × 36	22.43 × 0.78 × 1.40	<b>NSYLAM14T5</b>

\* Approximate values.

# Lighting accessories

## Lamps



### Portable lamp

Double function:

- As an internal enclosure lamp.
- As a maintenance lamp.

### Two mounting options as standard

Mounting by screws or adhesive. Provides the most versatile mounting in any enclosure.

### Winding cable

The 3 m cable can be wound onto the base of the lamp, to keep it out of the way while not in use.

### Switch

Easy-access switch in the handle of the lamp, recessed to help prevent accidentally switching the lamp off.



### Fluorescent

Compact 4-pin fluorescent lamp. Easy to find replacements on the market.

### Technical data

- Compact fluorescent base: G24d.
- Built-in recessed switch.
- Color: RAL 7035.
- Light temperature: 4500 K.
- Fluorescent tube service life: 8000 h.
- Power cable: 3 m with connector and male plug at the end.
- Casing: plastic, UL94-V0.
- Degree of protection: IP20.
- Degree of insulation: class II.
- Compliant with RoHS and Reach.
- Operating/storage temperature:  $-20\text{ °C to }+50\text{ °C}$  ( $-4\text{ °F to }+122\text{ °F}$ ).
- $-45\text{ °C to }+70\text{ °C}$  ( $-40\text{ °F to }+158\text{ °F}$ ).

Standards:

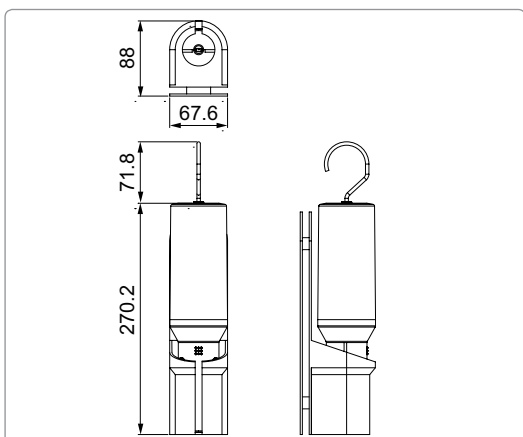
- IEC 61000-6-4.
- UL94.



Supply: 1 lamp and mounting hardware.



Description	Voltage	Catalog number
Portable lamp with ON/OFF switch	230 V	NSYLAMP0RT



# Door accessories

## Document pockets



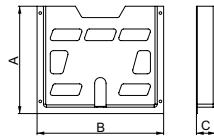
### Plastic document pocket

- Mounting by adhesive tape.
- Formats: A5 and A4.
- Material: polystyrene (PS), RAL 7035 gray.



Supply: 1 plastic document pocket.

Document format: mm (in.)	A	B	C	Catalog number
A5	174 (6.9)	188 (7.4)	22 (0.9)	<b>NSYDPA5</b>
A4	234 (9.2)	278 (10.9)	22 (0.9)	<b>NSYDPA4</b>
A4	234 (9.2)	278 (10.9)	40 (1.6)	<b>NSYDPA44</b>
A3	258 (10.2)	476 (18.7)	35 (1.4)	<b>NSYDPA3</b>



[ For ranges SF, SM, SFX, SMX ]

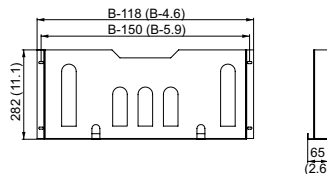
### Metal document pocket

- Direct mounting on the door reinforcement frame.
- Height adjustable in steps of 25 mm (1 in.).
- Material: steel.
- Finish: painted with epoxy-polyester resin, RAL 7035 gray.



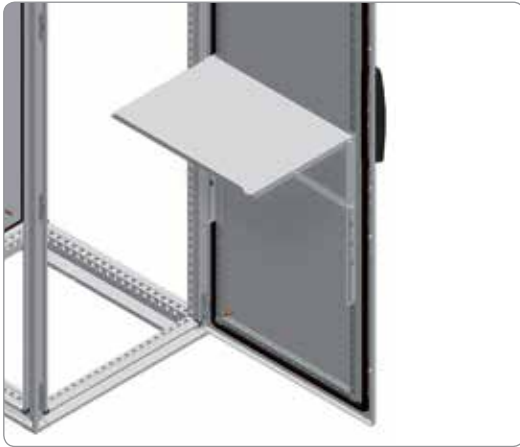
Supply: 1 metal document pocket and mounting hardware.

Enclosure dimensions: mm (in.)	Catalog number
Width (B)	
600 (23.6)	<b>NSYSDP6M</b>
800 (31.5)	<b>NSYSDP8M</b>



# Door accessories

## Support tray



### Folding support tray

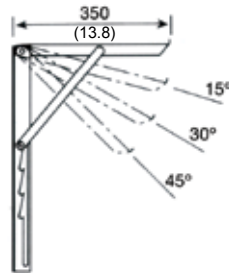
- Adjustable horizontal support for laptop computers, documents or other elements.
- Mounting on the door reinforcement frame.
- The support tray can also be mounted on door cross rails, see page 8/29.
- Height adjustable in steps of 25 mm (1.0 in.).
- In 1000-mm wide (39.4 in wide) enclosures, any size can be mounted using door cross rail, catalog no. **NSYSDCR10**.
- 4 positions: 45°, 60°, 75° and 90°.
- Material: steel.
- Thickness: 1.5 mm (0.06 in.).
- Finish: painted with polyester-epoxy resin, RAL 7035 gray.
- Maximum load: 30 kg (66.1 lbs).



Supply: 1 folding support tray and mounting hardware.



Special dimensions: mm (in.)	Catalog number
Width	
500 (19.7)	<b>NSYSDT5</b>
600 (23.6)	<b>NSYSDT6</b>
800 (31.5)	<b>NSYSDT8</b>



For ranges  
SF, SM, SFX, SMX

# Door accessories


## Door retainers



[ For ranges SF, SM ]

### Door retainer

- For blocking the door at the opening limit.
- The door retainer mounts directly to the front frame of the enclosure and to the reinforcement frame of the door.
- It can be installed on doors that open to the right and to the left.
- 2 versions:
  - Mechanical door stop, limit 105°.
  - Pneumatic door stop, limit 120°.

 Supply: door stop and mounting hardware.

Door stop model	Catalog number	For enclosures
Mechanical	<b>NSYSFMDR</b>	Spacial SF
	<b>NSYSMDR</b>	Spacial SM
Pneumatic	<b>NSYSFNDR</b>	Spacial SF
	<b>NSYSMNDR</b>	Spacial SM



### Steel door retainer

- For blocking the door at the end of its travel.
- The retainer is installed on enclosures with heights from 400 mm (15.7 in.) and widths from 300 mm (11.8 in.).
  - Connection for grounding the enclosure on the reinforcement rail.
  - Grounding accessories supplied with the enclosure (ground-connection wire ordered separately), see page 8/101.
  - Please note: cannot be installed on 19" mounting plates or on enclosures equipped with an internal door.

Description	Catalog number
Steel door retainer for Spacial wall-mounting S3DC steel enclosure	<b>NSYAEDRSCST</b>



See also these accessories

Support for cable ducting with  $\varnothing$  22 mm  
Page 8/87

Door cable-guide cross rails  
Page 8/81

## Door accessories

### Door switches



#### Door switch for floor-standing enclosures

- The switch is mounted to the enclosure structure.
- Drilled M20 cable entry for cable gland.
- NC + NO contact, 10 A / 500 V.



Supply: 1 door switch and mounting hardware.

Catalog number	For ranges
NSYDCM20	SF & SFX
NSYMDCM20	SM
NSYSNLPLA	PLA



#### Door switch for wall-mounting enclosures

- Switch/commutator equipped with support and hardware for direct mounting to the enclosure.
- Can be used to control lighting, air-conditioning units, etc.
- Not compatible with the 19" swing rack and the internal door.
- NC + NO contact, 10 A / 500 V.



Supply: 1 door switch and mounting hardware.

For ranges  
CRN, S3DC,  
S3X

Catalog number
NSYINLCRN



# Door accessories

## Windows

### Window for modular equipment, IP65

The window provides viewing and access to the inside of the enclosure while maintaining the IP65 protection degree.  
Made from transparent polycarbonate.


 Supply: 1 window.



Fig. 1



Fig. 2

No. of modules	Fig. no.	A: mm (in.)	B: mm (in.)	C: mm (in.)		Catalog number	
				Low cover	High cover	Low cover	High cover
2	1	78 (3.1)	60 (2.4)	15 (0.6)	25 (1.0)	NSYVA272M	NSYVA272MA
4	1	78 (3.1)	95 (3.7)	15 (0.6)	25 (1.0)	NSYVA274M	NSYVA274MA
6	1	78 (3.1)	130 (5.1)	15 (0.6)	25 (1.0)	NSYVA276M	NSYVA276MA
8	1	78 (3.1)	165 (6.5)	15 (0.6)	25 (1.0)	NSYVA278M	NSYVA278MA
10	1	78 (3.1)	200 (7.9)	15 (0.6)	25 (1.0)	NSYVA2710M	NSYVA2710MA
12	1	78 (3.1)	235 (9.3)	15 (0.6)	25 (1.0)	NSYVA2712M	NSYVA2712MA
16	2	195 (7.7)	165 (6.5)	13 (0.5)	-	NSYVA2716M	-
24*	2	196 (7.7)	235 (9.3)	13 (0.5)	-	NSYVA2724M	-
36*	2	248 (9.8)	235 (9.3)	13 (0.5)	-	NSYVA2736M	-
51**	2	248 (9.8)	325 (12.8)	13 (0.5)	-	NSYVA2751M	-

\* In rows of 12 modules mounted vertically.

\*\* In rows of 17 modules mounted horizontally.

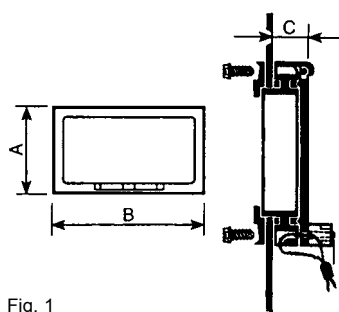


Fig. 1

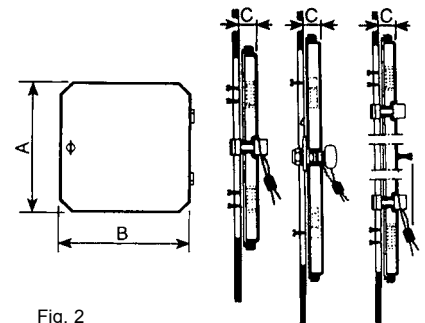


Fig. 2

## Door accessories

### Windows



#### Plastic window IP55

- Plastic window with hinged cover for installation on front panel, IP55.
- Polycarbonate cover and PVC body.
- External dimensions: 213 × 133 mm (8.4 × 5.2 in.).
- Internal dimensions: 180 × 78 mm (7.1 × 3.1 in.).
- Delivered with a drilling template.



Supply: 1 plastic window.

Catalog number

**NSYMW10M**



#### Modular front panel with IP55 sealed window

- Frame with transparent hinged cover for mounting modular switchgear on the front panel.
- Opening: 46 × 180 mm (1.8 × 7.1 in.) (10 modules).



Supply: 1 modular front panel.

Catalog number

**NSYMW10MK**



#### Kit for mounting the switchgear

- The mounting kit includes a DIN rail and its two supports.
- The unit is delivered assembled.



Supply: 1 DIN rail and two supports.

Catalog number

**NSYMW10MR**



Mounting example:

**NSYMW10MK + NSYMW10MR**


# Door accessories

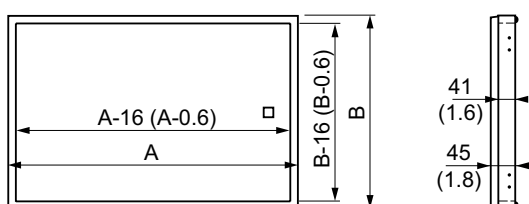
## Windows and frames



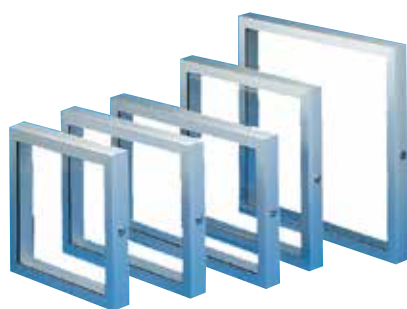
### Acrylic window IP55

- Transparent acrylic window, hinged, with gasket for installation on front panel, IP55.
- Closure by lock with key n° 1242E (2 locks for the height of 800 mm [31.5 in]).
- Delivered with 2 hinges (3 for the height of 800 mm [31.5 in]) and installation hardware.
- Does not filter out UV.

 Supply: 1 acrylic window, hinges, hardware and drilling template.




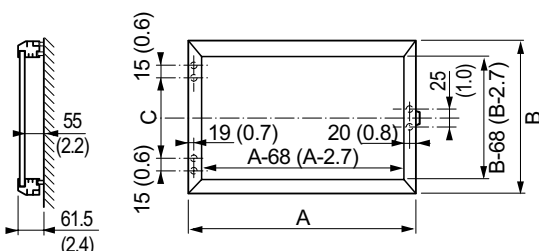
Acrylic window: mm (in.)			Catalog number
A	B	Depth	
400 (15.7)	200 (7.9)	45 (1.8)	<b>NSYAW24</b>
400 (15.7)	400 (15.7)	45 (1.8)	<b>NSYAW44</b>
400 (15.7)	500 (19.7)	45 (1.8)	<b>NSYAW54</b>
400 (15.7)	600 (23.6)	45 (1.8)	<b>NSYAW64</b>
400 (15.7)	800 (31.5)	45 (1.8)	<b>NSYAW84</b>
500 (19.7)	200 (7.9)	45 (1.8)	<b>NSYAW25</b>
500 (19.7)	400 (15.7)	45 (1.8)	<b>NSYAW45</b>
500 (19.7)	500 (19.7)	45 (1.8)	<b>NSYAW55</b>
500 (19.7)	600 (23.6)	45 (1.8)	<b>NSYAW65</b>
500 (19.7)	800 (31.5)	45 (1.8)	<b>NSYAW85</b>
600 (23.6)	200 (7.9)	45 (1.8)	<b>NSYAW26</b>
600 (23.6)	400 (15.7)	45 (1.8)	<b>NSYAW46</b>
600 (23.6)	500 (19.7)	45 (1.8)	<b>NSYAW56</b>
600 (23.6)	600 (23.6)	45 (1.8)	<b>NSYAW66</b>
600 (23.6)	800 (31.5)	45 (1.8)	<b>NSYAW86</b>



### IP54 control protection frame

- To prevent accidental handling of the control units by unauthorized personnel.
- Allows all the displayed information to be read without opening the door.
- Construction: aluminum frame and Altuglas viewing window.
- Equipped with hinges for opening.
- Closure by a n° 1242E lock, type 911 B Ronis.

 Supply: 1 frame with window, hinges, hardware and drilling template.



Door window: mm (in.)			Catalog number
A	B	C	
400 (15.7)	400 (15.7)	220 (8.7)	<b>NSYMA44</b>
500 (19.7)	400 (15.7)	220 (8.7)	<b>NSYMA45</b>
600 (23.6)	400 (15.7)	220 (8.7)	<b>NSYMA46</b>
800 (31.5)	400 (15.7)	220 (8.7)	<b>NSYMA48</b>
500 (19.7)	500 (19.7)	320 (12.6)	<b>NSYMA55</b>
500 (19.7)	600 (23.6)	420 (16.5)	<b>NSYMA56</b>
600 (23.6)	500 (19.7)	320 (12.6)	<b>NSYMA65</b>
800 (31.5)	500 (19.7)	320 (12.6)	<b>NSYMA58</b>
600 (23.6)	600 (23.6)	420 (16.5)	<b>NSYMA66</b>


# Grounding accessories

## Braids and cables



### Grounding braids

- Grounding braids help ensure the ground connection for high frequencies, preventing interfering electric currents.
- Material: tinned copper.

 Supply: 10 grounding braids (nuts and washers not included).


 Catalog number by unit. Order in multiples of 10 (10, 20, 30...).

Length: mm (in.)	Width: mm (in.)	Section: mm <sup>2</sup> (in <sup>2</sup> )	Terminal Ø: mm (in.)	Catalog number
150 (5.9)	12 (0.5)	6 (0.2)	6.5 (0.3)	<b>NSYEB156D6</b>
150 (5.9)	17 (0.7)	10 (0.4)	6.5 (0.3)	<b>NSYEB1510D6</b>
155 (6.1)	17 (0.7)	16 (0.6)	8.5 (0.3)	<b>NSYEB1516D8</b>
200 (7.9)	27 (1.1)	25 (1.0)	8.5 (0.3)	<b>NSYEB2025D8</b>
200 (7.9)	33 (1.3)	50 (2.0)	8.5 (0.3)	<b>NSYEB2050D8</b>



### Grounding cables

- Grounding cables make it easier to install a safe ground connection, with a good contact and optimized length.
- Material: brass and copper alloy terminal, green and yellow PVC insulating sheath.

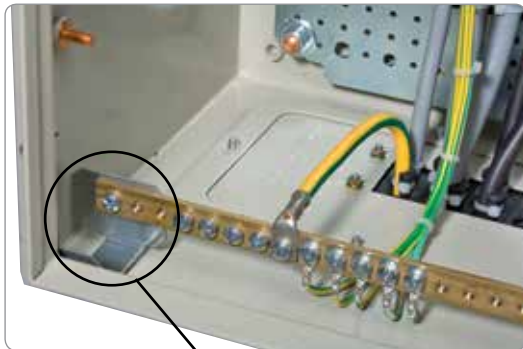
 Supply: 10 grounding cables (nuts and washers not included).

 Catalog number by unit. Order in multiples of 10 (10, 20, 30...).

Length: mm (in.)	Section (mm <sup>2</sup> )	Terminal Ø: mm (in.)	Catalog number
130 (5.1)	6 (0.2)	6.4 (0.3)	<b>NSYEL136D6</b>
160 (6.3)	6 (0.2)	6.4 (0.3)	<b>NSYEL166D6</b>
160 (6.3)	6 (0.2)	8.3 (0.3)	<b>NSYEL166D8</b>
170 (6.7)	10 (0.4)	6.4 (0.3)	<b>NSYEL1710D6</b>
220 (8.7)	6 (0.2)	6.4 (0.3)	<b>NSYEL226D6</b>
220 (8.7)	25 (1.0)	8.3 (0.3)	<b>NSYEL2225D8</b>
250 (9.8)	10 (0.4)	6.4 (0.3)	<b>NSYEL2510D6</b>
350 (13.8)	25 (1.0)	8.3 (0.3)	<b>NSYEL3525D8</b>

# Grounding accessories

## Grounding strip lugs



NSYEDCOS

For ranges  
S3DC, S3X, CRN

### Mounting lugs for the grounding strip

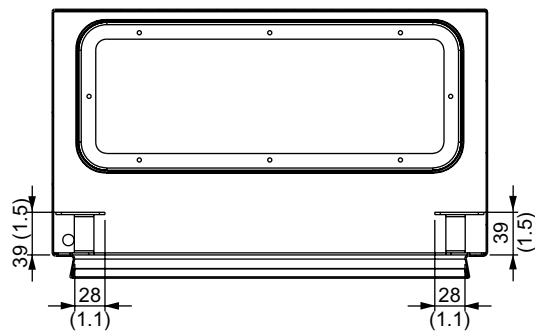
- The lugs allow mounting a ground-collector rail or a DIN rail at the top and bottom of an enclosure.
- Mounting in holes in the gutter of the enclosure.
- Incompatible with certain accessories. Please contact us.
- Grounding strip, page 8/101.



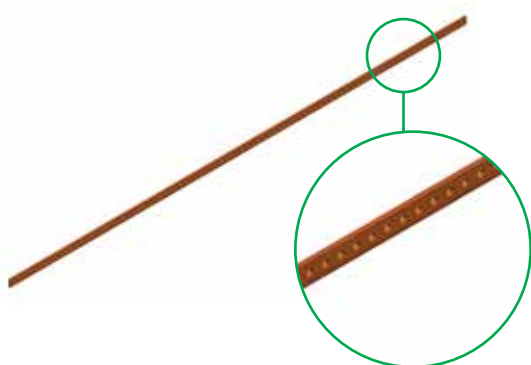
Supply: 2 lugs and hardware.

#### Catalog number

NSYEDCOS



## Grounding accessories



### Grounding strip

- 15 × 3-mm (0.6 × 0.1 in.) perforated brass bar.
- 1 m (3.3 ft) long.
- 87 connection points, M5 drill holes.



Supply: 1 grounding strip and mounting hardware.

Catalog number

**NSYECB1M153**



### Central grounding point

- Connects grounding braids and cables to the enclosure structure.
- Mounting to the structure by means of self-tapping screws.
- The ground connection is made with the M8 × 18-mm (0.7 in.) bolt.



Supply: 1 central grounding point, hardware for mounting to the structure, and hardware for mounting to the bolt.

Catalog number

**NSYCEP**

For ranges  
SF, SM, SFX,  
SMX

## Floor accessories

### Casters



For ranges  
SF, SM

#### Transport casters

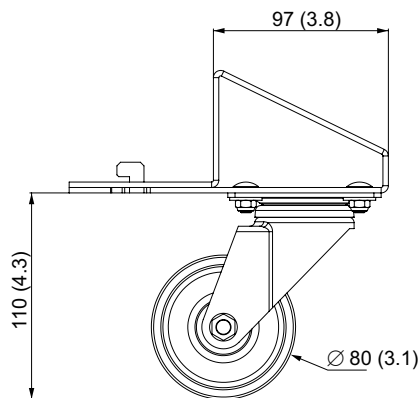
- Set of 4 casters, 2 with a blocking system.
- Quick installation on plinths with heights of 100 and 200 mm (3.9 and 7.9 in.), except the plinth for enclosure sets.
- The casters can be installed in the front or side positions.
- Clipping and mounting to the corner by screws.
- Maximum load: 100 kg (220.5 lbs) per caster.
- For use on flat surfaces.
- Height: 110 mm (4.3 in.).



Supply: 4 transport casters (2 with a blocking system) and mounting hardware.

#### Catalog number

NSYSTW



For ranges  
SF, SM, SFX,  
SMX

#### Enclosure casters

- Set of 4 casters.
- Double casters.
- Maximum load: 160 kg (352.7 lbs) per caster.
- Height: 92 mm (3.6 in.).
- Diameter: 64 mm (2.5 in.).



Supply: 4 casters and mounting hardware.

#### Catalog number

NSYSW

# Floor accessories

## Feet



Mounted feet.



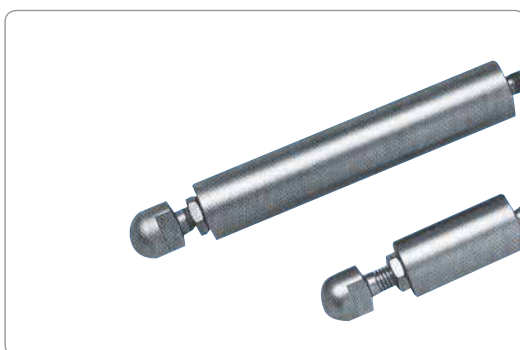
Adjustable feet.

For ranges  
SF, SM, SFX,  
SMX

### Levelling feet (mounted and adjustable)

- Set of 4 floor feet.
- 2 models:
  - Mounted: height 42 mm (1.7 in.).
  - Material: steel.
  - Adjustable: height 22 mm (0.9 in.).
- Maximum load: 100 kg (220.5 lbs) per foot.

Levelling feet	
Model	Catalog number
Mounted feet	<b>NSYSPSJ</b>
Adjustable feet	<b>NSYSPRJ</b>



For ranges  
SF, SM, SFX,  
SMX

### Hygienic stainless-steel feet

- Set of 4 hygienic feet, made from 316L stainless steel, specific for harsh environments.
- Models:
  - Height: 100 mm (3.9 in.).
  - Height: 200 mm (7.9 in.).
- Height adjustment: 20 mm (0.8 in.).
- Maximum load: 100 kg (220.5 lbs) per foot.



Supply: 4 feet.

316L stainless-steel hygienic feet	
Model with height: mm (in.)	Catalog number
100 (3.9)	<b>NSYPHX100</b>
200 (7.9)	<b>NSYPHX200</b>





---










<b>Technical annexes</b> .....	9/2
Enclosure certifications .....	9/2
International enclosure standards .....	9/3
Degrees of protection .....	9/4
Selection according to the degree of protection .....	9/5
Properties of plastic materials .....	9/6
Polyester base coating properties .....	9/7
Potentially explosive atmospheres and ATEX enclosures .....	9/10
Electromagnetic compatibility .....	9/14
NEMA and UL classification of electrical equipment enclosures .....	9/17
<b>Index of catalog numbers</b> .....	9/20

# Enclosure certifications

Product certifications are awarded for enclosures as components.

Aim of the certification					
Range	International standard for electric power enclosures	Standards for industrial equipment and UL classification	Marine environment classification or approval for protection and resistance to vibrations	ATEX	
	Standard/Directive				
	IEC 62208	UL508A and CAN CSA C22-2 no. 14	Rules of certifying bodies	European directive no. 94/9/EC EN 60079-0 and -7 EN 61241-0 and -1	
Spatial	SF	●	●	● ●	
	SM	●	●	● ●	
	S3DC	●	●	● ● ● ●	● (1)
	CRN	●	●	●	
	S44	●			
	S57	●			
	SFX	●	●		
	SMX	●	●		
	S3X	●	●	●	
Thalassa	PLA	●	●	●	● (1)
	PLM	●	●	●	● (1)
	PLS	●	●		
	TBS - TBP	●	●		
ClimateSys	CV		●		

(1) ATEX certifications relate to an adapted part of the range. These ranges are distinguished by their EX endings.

Official certification body								
Bureau Veritas	LCIE (Bureau Veritas)	Bureau Veritas Marine Division	TUV Rheiland Group	Underwriters Laboratories	Laboratorio Oficial J.M. Madariaga	Det Norske Veritas	Germanischer Lloyd	Lloyd's Register
								
●	●	●	●	●	●	●	●	●

# International enclosure standards

## Standards IEC 62208\*



**Empty enclosures for low-voltage switchgear and controlgear assemblies. General rules.**

### Application

For empty enclosures before adding the user's switchgear, in the condition as supplied by the manufacturer.

### Field of application

Requirements for testing the enclosures to be used as part of switchgear assemblies for voltages less than 1000 V alternating current and 1500 V direct current.

### Information supplied by the manufacturer

- Commercial trademark of the manufacturer: Schneider Electric.
- Mechanical characteristics, materials, conditions for use.
- Conditions for use:
  - Ambient air temperature for outdoor installations:  $-25$  to  $+40$  °C.
- Atmospheric conditions for outdoor installations: the humidity can temporarily reach 100% at a temperature of 25 °C.
- Transport and storage conditions: from  $-25$  to  $+55$  °C; for limited periods not exceeding 24 h: up to  $+70$  °C.

\* European standard EN 62208 is identical to IEC 62208. European countries publish this standard according to the body in each country (for example BS EN 62208 in the UK).



### Standard tests of IEC 62208

- Static loads: test  $1.25 \times$  maximum admissible load during 1 hour.
- Lifting: applicable to enclosures with lifting accessories.
- Axial loads of metal inserts: 500 N for 10 seconds for M8 inserts.
- IK code: test according to standard IEC 62262 with pendulum impact tester. After testing, the enclosure keeps its IP rating.
- IP rating: test according to standard IEC 60529. Degree of protection against access to dangerous parts and the penetration of solid bodies and against the penetration of water.
- Thermal stability at a temperature of 70 °C: 7 days.
- Resistance to heat: ball test at 70 °C (1).
- Resistance to abnormal heat and to fire: glow wire test according to IEC 60695-2-10 and IEC 60695-2-11 (1).
- Dielectric strength: 5000 V (1).
- Protection circuit continuity (2): resistance not to exceed 0.1 ohm.
- Weather resistance: duration 500 h (cycle: rain 5 minutes + UV lamp 25 minutes).
- Corrosion resistance:
  - For indoor enclosures:
    - 6 cycles of 24 hours of the damp heat test at 40 °C and relative humidity of 95%.
    - 2 cycles of 24 hours of the salt mist test at 35 °C.
  - For outdoor enclosures:
    - 12 cycles of 24 hours of the damp heat test at 40 °C and relative humidity of 95%.
    - 14 cycles of 24 hours of the salt mist test at 35 °C.

Our empty enclosures are marked CE according to the Low-Voltage Directive (LVD). It is the responsibility of the final equipment manufacturer to respect regulations in force.

(1) Information required for enclosures made from insulating material.  
 (2) For metal enclosures.

# Degrees of protection provided by enclosures

- The degrees of protection provided by the enclosures are defined by standards IEC 60529 (IP) and IEC 62262 (IK).
- Degrees of protection are indicated by the letters IP followed by two characteristic numerals. The numerals show the degree of protection offered by the enclosure against access to dangerous parts, the penetration of solid bodies (1st numeral), and against the penetration of liquids (2nd numeral).
- The protection against external mechanical impact is indicated by the letters IK followed by a characteristic group numeral.

Note: Many EN European standards are harmonized with international IEC standards. This is the case with enclosure protection standards:  
 – EN 60529 = IEC 60529.  
 – EN 62262 = IEC 62262.

First numeral Protection against solid bodies	IP Second numeral Protection against liquids	IK Mechanical protection
<b>0</b> No protection	<b>0</b> No protection	<b>0</b> No protection
<b>1</b> Protected against solid bodies larger than 50 mm (incidental contact with the hand)	<b>1</b> Protected against vertically falling water droplets (condensation)	<b>01</b> 7,5 cm Impact energy: 0.150 Joules.
<b>2</b> Protected against solid bodies larger than 12 mm (finger contact)	<b>2</b> Protected against water droplets deflected at up to 15° from vertical	<b>02</b> 10 cm Impact energy: 0.200 Joules.
<b>3</b> Protected against solid bodies larger than 2.5 mm (tools, wires)	<b>3</b> Protected against rainwater at up to 60° from vertical	<b>03</b> 17,5 cm Impact energy: 0.350 Joules.
<b>4</b> Protected against solid bodies larger than 1 mm (fine tools, small wires)	<b>4</b> Protection against water spray from all directions	<b>04</b> 25 cm Impact energy: 0.500 Joules.
<b>5</b> Protected against dust (no harmful deposits)	<b>5</b> Protection against low-pressure water jets from all directions	<b>05</b> 35 cm Impact energy: 0.700 Joules.
<b>6</b> Totally dust tight	<b>6</b> Protected against powerful water jets from all directions	<b>06</b> 20 cm Impact energy: 1.00 Joules.
	<b>7</b> Protected against the effects of immersion	<b>07</b> 40 cm Impact energy: 2.00 Joules.
	<b>8</b> Protected against prolonged effects of immersion under pressure	<b>08</b> 29,5 cm Impact energy: 5.00 Joules.
		<b>09</b> 20 cm Impact energy: 10.00 Joules.
		<b>10</b> 40 cm Impact energy: 20.00 Joules.

# Selection according to the degree of protection

## Selection according to the IP protection degrees.

Degree of protection, explained on the preceding page, is an important consideration when selecting the enclosures. The following table shows the protection degrees of the enclosures.

Description	Range	IP40	IP41	IP42	IP43	IP44	IP54	IP55	IP65	IP66
Metal industrial boxes	Spacial S44 and S57									●
Metal derivation boxes	Spacial SDB							●		
	Spacial S3DC							● (1)		●
Steel universal wall-mounting enclosures	Spacial CRN									●
	Spacial CRNG							● (1)		●
Terminal wall-mounting enclosures	Spacial S3DB									●
EMC steel wall-mounting enclosures	Spacial S3HF							●		
HMI steel wall-mounting enclosures	Spacial S3CM						●			
Stainless-steel wall-mounting enclosures	Spacial S3X									●
ATEX stainless-steel wall-mounting enclosures	Spacial S3XEX									●
Steel floor-standing enclosures	Spacial SM							●		
Steel modular enclosures	Spacial SF							●		
Stainless-steel floor-standing enclosures	Spacial SMX							●		
Stainless-steel modular enclosures	Spacial SFX							●		
Thermoplastic industrial boxes	Thalassa TBS-TBP									●
Polyester modular boxes	Thalassa PLS								●	
Polyester wall-mounting enclosures	Thalassa PLM									●
ATEX polyester wall-mounting enclosures	Thalassa PLMEX									●
Polyester floor-standing enclosures	Thalassa PLA (2)					●	●		●	

(1) Double door.

(2) Different IP depending on the version. See introduction in Thalassa PLA section.

## Selection according to the environment

The location of the enclosures and the physical, chemical and climatic conditions to which they are exposed will determine the model to be used.

- Steel enclosures are particularly well suited to indoor use in industrial environments.
- Stainless-steel enclosures are particularly well suited to corrosive environments or areas where specific hygiene demands are applicable.
- Polyester enclosures are particularly well suited to severe corrosive atmospheres, indoors or outdoors.

Enclosures made from insulating materials help ensure insulation, and help reduce electric hazards for people.

The main characteristics of the plastic materials of our enclosures and their chemical strength are given on page 9/7.

Further help for making the selection is given by the NEMA or UL classification of the enclosure, see page 9/18.

# Properties of plastic materials

## Mechanical, electrical, physical and fire-resistance properties

Plastic materials generally used to manufacture our products:

- ABS.
- Polycarbonate.
- PVC (polyvinyl chloride).
- Bayblend® = PC + ABS.
- Polyester reinforced with fiberglass.
- Altuglas.
- Polypropylene.
- Polystyrene.
- Polyamide 6 and 12.
- SBS.

Specifications	Standards	Units	ABS	Polycarbonate	PVC	Bayblend®	Polyester	SBS
<b>Mechanical properties</b>								
Tensile strength	ISO 257	MPa	44	> 65	45	35	85	5
Tensile strain	ISO 527	%	12	> 110	120 to 150	40	0	600
Impact resistance	ISO 179	kJ/m <sup>2</sup>	125	No breakage	25	No breakage	60	No breakage
Notching resistance	ISO 179	kJ/m <sup>2</sup>	19	25	20	25	50	-
<b>Electrical properties</b>								
Stress point	IEC 60112	-	-	250-300	> 600	> 550	> 600	-
Surface strength	IEC 60093	ohm	1015	> 1015	> 1013	> 1014	≥1012	> 1013
Dielectric strength	IEC 60243	kV/mm	16.5	> 30	30	24	18-20	20
Specific resistivity	IEC 60093	ohm <sup>3</sup> cm	1015	> 1016	≥ 1015	1016	≥ 1012	> 1016
<b>Physical properties</b>								
Softening temperature (Vicat B)	ISO 306	°C	95	145-150	79-80	115	(1)	80
Temperature resistance	-	°C	-40...+90	-50...+125	-20...+65	-35...+90	-50...+150	-40...+120
Water absorption	ISO 62	%	0.2-0.45	0.15	< 0.1	0.2	0.2	-
Specific weight	ISO 1183	kg/dm <sup>3</sup>	1.04	1.21	1.4	1.12	1.85	0.3 in 24 h
<b>Fire resistance</b>								
Oxygen index	ISO 4589	%	19	26	45-50	22	24.4	18
Glow wire resistance, 2 mm	IEC 60695-2	°C	650	960	960	750	960	750° (1.5 mm)
Glow wire resistance, 3 mm	IEC 60695-2	°C	650	960	960	750	960	NA

(1) No softening of the polyester.

Specifications	Standards	Units	Altuglas	Polypropylene	Polystyrene	Polyamide 6	Polyamide 12
<b>Mechanical properties</b>							
Tensile strength	ISO 257	MPa	30	35	24	40	30
Tensile strain	ISO 527	%	5	400	36	200	300
Impact resistance	ISO 179	kJ/m <sup>2</sup>	20	20	63	No breakage	No breakage
Notching resistance	ISO 179	kJ/m <sup>2</sup>	3	5	50	31.2	15
<b>Electrical properties</b>							
Stress point	IEC 60112	-	-	-	KB175	KB175	KB180
Surface strength	IEC 60093	ohm	≥ 1014	-	> 1013	1012	5 × 1010
Dielectric strength	IEC 60243	kV/mm	13-15	20	≤ 40	23	55
Specific resistivity	IEC 60093	ohm <sup>3</sup> cm	> 1015	> 1016	> 1015	1011	3 × 1011
<b>Physical properties</b>							
Softening temperature (Vicat B)	ISO 306	°C	120-122	75 (vicat A)	79	230	140
Temperature resistance	-	°C	-20...+80	-10...+80	-15...+60	-20...+100	-50...+125
Water absorption	ISO 62	%	< 0.5	0.1 in 24 h	0.1 in 24 h	1.6	1.5
Specific weight	ISO 1183	kg/dm <sup>3</sup>	1.18	0.91	1.06	1.14	1.03
<b>Fire resistance</b>							
Oxygen index	ISO 4589	%	18.5	18	18	24	22
Glow wire resistance, 2 mm	IEC 60695-2	°C	-	650	650	750	650
Glow wire resistance, 3 mm	IEC 60695-2	°C	960	650	650	850	650

# Properties of plastic materials

## Resistance to chemical agents

The table shows:

- The concentration of the chemical agent in%; sat = saturation.
- The resistance of the material:
  - +: Resistant.
  - O: Limited resistance.
  - : Not resistant.

Plastic materials generally used to manufacture our products:

- ABS.
- Polycarbonate.
- PVC (polyvinyl chloride).
- Bayblend® = PC + ABS.
- Polyester.
- Altuglas.
- Polypropylene.
- Polystyrene.
- Polyamide 6 and 12.
- SBS.

Resistance to	ABS	Polycarbonate	PVC	Bayblend®	Polyester	Altuglas	Polypropylene	Poly-styrene	Polyamide 6	Polyamide 12	SBS
Acetone	-	-	-	-	-	O	100 +	-	100 +	+	+
Hydrochloric acid	15 +	10 +	30 +	20 +	30 +	sat +	10 +	O	10 -	10 +	10 +
Citric acid		10 +	sat +	10 +	100 +	sat +	sat +	+	10 O	+	10 +
Lactic acid	80 +	10 +	90 +	10 -	100 +	20 +	90 +	O	50 O	+	sat +
		90 -							90 -	+	
Nitric acid	30 +	10 +	50 +	10 +	20 +	10 +	25/50	O	2 O	-	50 +
		100 -			+	100 -	50		10 -		
Phosphoric acid	85 +	100 +	sat +	+	100 +	10 +	sat +	O	2 O	50 +	+
						95 -			10 -		
Sulphuric acid	50 +	50 +	96 +	30 +	70 +	30 +	96 +	O	3 -	10 +	96 +
		100 -									
Alcohol	O	96 +	96 +	-	50 O	50 O	96 +	+	96 O	96 +	+
Pure aniline	O	-	100 -	-	O	-	100 +		100 O	100 O	
Mineral base (hydroxide)		O	10 +	-	100 +	10 +	50 +	O	10 +	50 O	
									50 O		
Benzene	+	100 -	-	+	-	O	100 O		100 +	+	-
Liquid bromine		100 -	-	-			100 -			100 -	-
Liquid chlorine		-	100 -	-	sat +	-	100 -		100 O	-	50 +
Sea water	+	100 +	100 +	+	100 +	100 +	-	100 +		100 +	sat +
Petrol	+	100 +	100 O	-	100 +	100 O	-	-	100 +	+	-
Ether	-	100 O	100 -	-	100 O	+			100 +	100 +	-
Hexane	O	+	O	O	-		100 +		100 +	100 +	-
Oil and greases	+	100 +	100 +	O	100 +	100 O	100 +	-	+	100 +	-
Aromatic hydrocarbon	O	-	-	-	-	+	-	-	-	+	-
Fuel oil	O	100 O	100 +	-	100 +	100 -	100 +		100 +	100 +	-
Naphthalene			100 O	-	100 +	100 -	100 +		100 +	100 +	
Nitrobenzene	-	-	100 -	-		-	100 O		-	O	-
Phenol	-	-	sat O	-	20 O	-	sat +		-	-	10 O
Mineral salts		+	+	+	+	+	+			+	+
Iodine solution		O	-	+		-			+		
Toluene	-	-	100 -	-	+	O	100 O	-	100 +	100 +	-
Trichloroethylene	-	-	100 -	-	-	-	100 O	-	100 -	100 O	-
Urea		sat +	sat +	+			sat +		10 +	sat +	sat O

For other chemical agents, please contact us.

This information is derived from trusted sources and provided for the convenience of our customers. While this information is believed to be accurate, Schneider Electric assumes no liability for errors or omissions.



# Polyester base coating properties



## Product type

Thermosetting polyester resin-based powder coating, modified by epoxy resins and designed for decoration and to prevent corrosion. The performance of this coating is superior to conventional epoxy powders in terms of color stability, temperature resistance and weather resistance. Gray RAL 7035; appearance: structured.

## Mechanical properties

Test conditions: steel samples with a thickness of 1 mm (0.04 in.).  
 Degreasing using biodegradable surface-active agents.  
 Film thickness: 60 microns.

## Chemical properties

Bonding (scratching and adhesive tape)	ISO 2409	Class 1
Ericksen stamping	ISO 1520	≥ 7 mm
Direct impact resistance	ISO 6272	> 1 kg/70 cm
Indirect impact resistance	ISO 6272	> 1 kg/20 cm
Bending around conical mandrel	ISO 6860 - ASTM D 522-88	Maximum cracking of 70 mm, without the paint coming loose

Tests conducted at ambient temperature on phosphated samples covered with a 150 to 200 micron film:

- Film intact.
- Film attacked (blistering, yellowing, loss of gloss).

## Physical properties

Number of months			2	4	6	8	10	12
Acid	Acetic	20%	[Blue bar]					
	Sulphuric	30%	[Blue bar]					
	Nitric	30%	[Blue bar]					
	Phosphoric	30%	[Blue bar]					
	Hydrochloric	30%	[Blue bar]					
	Lactic	10%	[Blue bar]					
	Citric	10%	[Blue bar]					
Base	Soda	10%	[Blue bar]					
	Ammonia	10%	[Blue bar]					
Water	Distilled water		[Blue bar]					
	Sea water		[Blue bar]					
	Tap water		[Blue bar]					
	Diluted chloride bleach		[Blue bar]					
Solvents	Petrol		[Blue bar]					
	Higher alcohols		[Blue bar]					
	Aliphatics		[Blue bar]					
	Aromatics		[Blue bar]					
	Ketones-esters		[Blue bar]					
	Tri-perchloroethylene		[Blue bar]					

Temperature resistance: -40 °C and 100 hours at +150 °C (color: white).  
 Gloss retention: good.

## Resistance to corrosion

Compliant with standard IEC 62208 for outdoor installations: 288 h of humid heat and 336 h of salt mist.

# Polyester base coating properties

## Protection from nuclear contamination

Applicable to colors RAL 7035 and AFNOR A550.  
Standard NFT 30901. Percentage of protection from contamination by fission products or plutonium. Please contact us for further details.

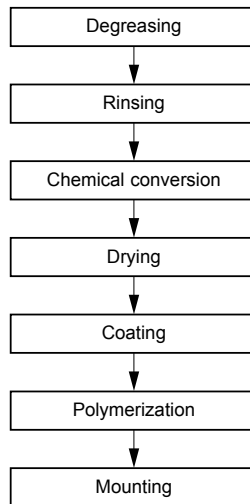
## Aging rate

Standard IEC 62208: 500h UV according to ISO 4892 (method A) (adherence of the coating with minimum retention of 50% on the grid according to ISO 2409).

## Fire behavior

Class M1 (self-extinguishing material).  
Class M0 (for coating on a metal base).

## Manufacturing process

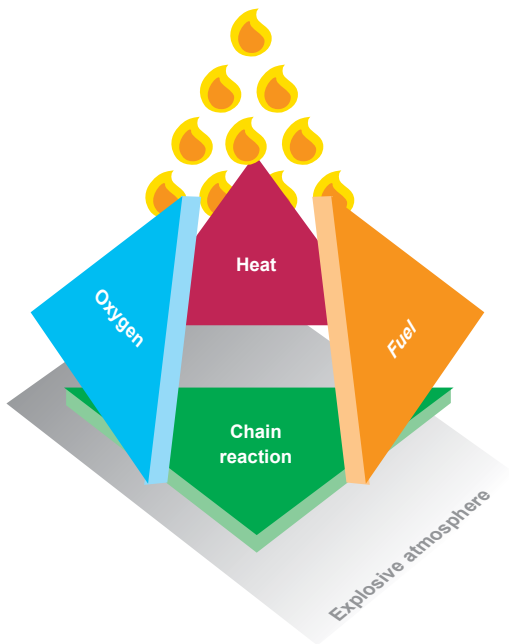




Product directive 94/9/CE: defines the manufacturers' obligations.



Personal protection directive 99/92/CE: defines the users' obligations.



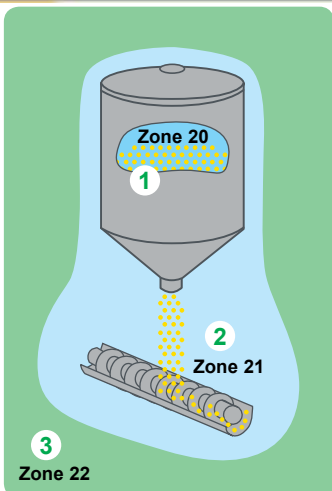
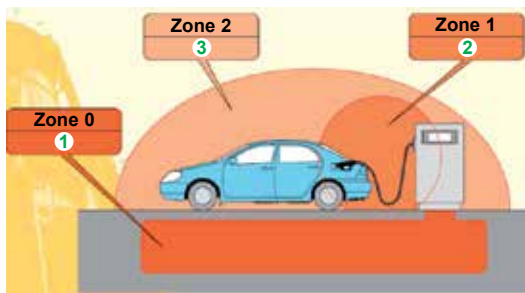
# Potentially explosive atmospheres: important information

## What is ATEX?

- It is a term commonly used to describe potentially EXplosive ATmospheres and standards for protection systems and equipment.
- Two European directives, ATEX 99/92/CE and ATEX 94/9/CE, and international standards IEC 60079 and IEC 61241, harmonized with EN European standards, apply to this field.

## How is a potentially explosive atmosphere defined according to ATEX?

- A potentially explosive atmosphere is defined as a mix of flammable substances in the form of gas, vapor, dust (cloud or deposit) which, in air and under normal atmospheric conditions, can completely or partially catch fire in the form of an explosion when exposed to a source of ignition.



## Classification of an explosive atmosphere

- Explosive atmospheres are classified into groups and zones according to directive 99/92/CE and IEC standards as follows:

Destination	Categories/presence of potentially explosive atmosphere	Hazardous zones	Atmosphere	
Group I Mines	M1 and M2	Gas and dust (G & D)		
		Zone 0: gas and vapor	G	
Group II Surface Industries	1 Permanent or frequent	Zone 20: mist and dust	D	
		Zone 1: gas and vapor	G	
	2 Occasional	Zone 21: mist and dust	D	
		3 Rare	Zone 2: gas and vapor	G
			Zone 22: mist and dust	D

# Equipment for potentially explosive atmospheres

- Since 1st July 2003, European directive ATEX 94/9/CE has made it compulsory to use certified electric or non-electric equipment for installation in zones with explosive atmospheres (gas or dust).
- Certification must be provided by a body which is notified according to the same directive.
- The body notifies its assessment of the quality of the production and certifies that the product complies with the health and safety demands defined in the directive and the international standards.
- The certificate shows the category of the product by marking, and thus the zone and atmosphere in which it can be used.
- The standards define the following types of protection for electric equipment:

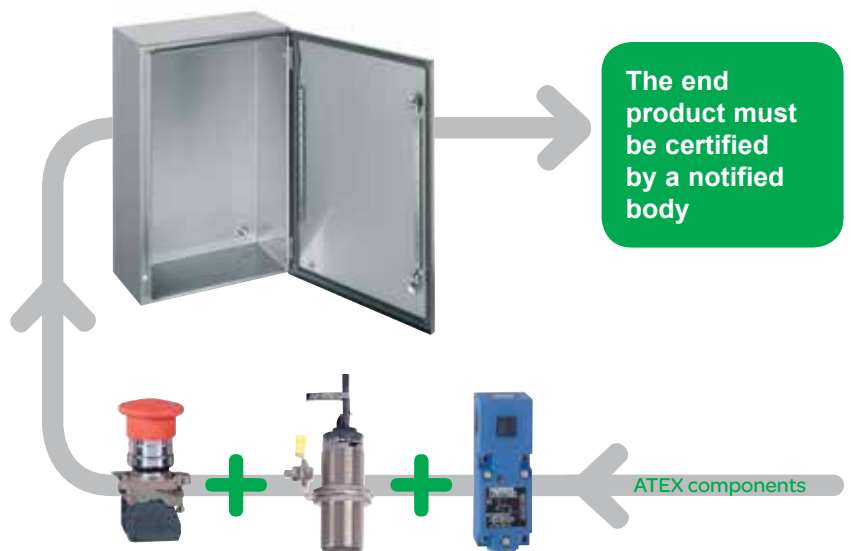
Electrical equipment				
CENELEC	IEC	Gas: symbol of the types of protection	CENELEC/IEC	Powder: symbol of the types of protection
EN 60079-0	IEC 60079-0	General rules	IEC/EN 61241-0	General rules
EN 50015	IEC 60079-6	<b>o</b> -oil immersion	IEC/EN 61241-1	<b>tD</b> -protection by enclosures
EN 50016	IEC 60079-2	<b>p</b> -pressurized enclosures	IEC/EN 61241-4	<b>pD</b> -protection by pressurization
EN 50017	IEC 60079-5	<b>q</b> -powder filling	IEC/EN 61241-11	<b>iD</b> -protection by intrinsic safety
EN 60079-1	IEC 60079-1	<b>d</b> -flameproof enclosures	IEC/EN 61241-18	<b>mD</b> -protection by encapsulation
EN 60079-7	IEC 60079-7	<b>e</b> -increased safety		
EN 50020	IEC 60079-11	<b>i</b> -intrinsic safety		
EN 60079-15	IEC 60079-15	<b>n</b> -type of protection "n"		



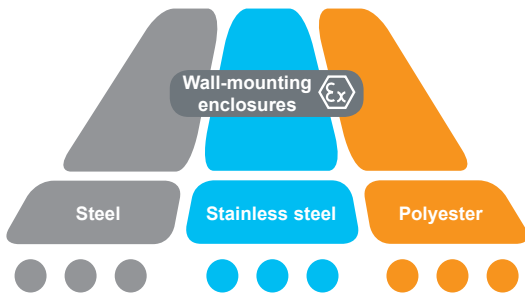
### Degree of protection

In hazardous areas, equipment is required to offer a minimum degree of protection of IP54, but it can be tested or certified with a higher degree of protection.

- Enclosures are certified as components. They are assembled with other ATEX electrical, pneumatic and hydraulic components, among others, to form an end product which, in turn, must be ATEX-certified and subject to a declaration of conformity.



# Fields of application of Schneider Electric ATEX enclosures



Zone of application of Schneider Electric ATEX wall-mounting enclosures

## Three types of enclosures

- All the wall-mounting enclosures presented in this catalog comply with standards for protection against the increased risk of explosion in atmospheres charged with gas (G) and/or dust (D).
- The Schneider Electric offer, designed to be used in group II, is classified as category 2.

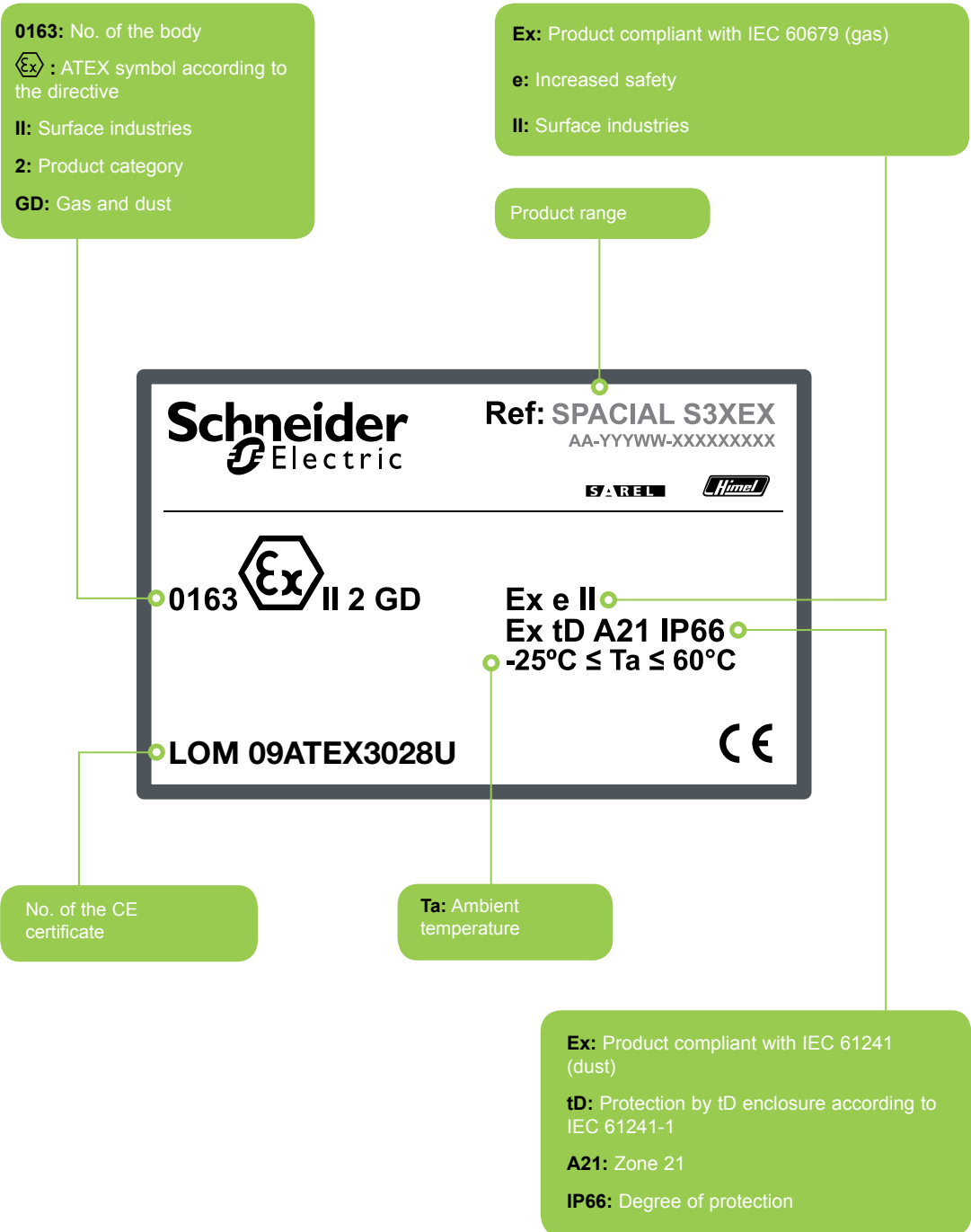
Destination	Categories/presence of potentially explosive atmosphere	Hazardous zones	Atmosphere
Group I Mines	M1 and M2	Gas and dust (G & D)	
Group II Surface Industries	1 Permanent or frequent	Zone 0: gas and vapor Zone 20: mist and dust	G D
	2 Occasional	Zone 1: gas and vapor Zone 21: mist and dust	G D
	3 Rare	Zone 2: gas and vapor	G
		Zone 22: mist and dust	D

- Category 2 products can be used as category 3.
- Our products are qualified for increased safety “e” (Ex e) but not for explosion-proof safety “d” (Ex d).
- The wall-mounting enclosures have the following marks:  $\text{Ex}$  II 2 GD Ex e II Ex tD A21 IP66 according to directive 94/9/CE and standards EN 60079-0 (2004), EN 60079-7 (2006), EN 61241-0 (2005) and EN 61241-1 (2004).
- The wall-mounting enclosures offer a degree of protection IP66 according to EN 60529, exceeding the recommendations of the ATEX directive.
- Certification of our production sites and inspection procedures help ensure observance and consistency of the quality level.

# Description of the label affixed to ATEX certified wall-mounting enclosures



Download our ATEX certificates over the Internet.



## General

The increasing presence of electromagnetic interference in industrial environments, together with the use of equipment susceptible to such interference, requires the use of suitably protected enclosures.

S3HF enclosures suppress electromagnetic interference in two ways, thanks to the type of sheet metal and gaskets used their construction:

- Provision of adequate screening, with the effectiveness of a Faraday cage.
- Ability to effectively protect sensitive equipment by using a galvanized sheet metal chassis, and by following recommended installation procedures.

## Electromagnetic interference

Electromagnetic disruptions consist of an electrical field E generated by differing potentials, and a magnetic field M, caused by current circulation, which combine to form an electromagnetic field.

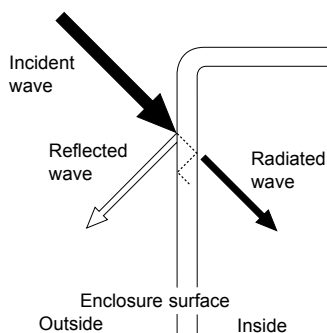
The electromagnetic interference or "noise" is a disruptive electrical signal which affects the useful signal and is likely to cause a malfunction.

Interference can be carried through the conductors or emitted through the environment.

## Main sources of electrical interference and equipment sensitive to it

- Programmable controllers.
- Electronic circuits or boards.
- Regulators.
- Input signal cables (detectors, sensors, measurement probes).
- Analog signal cables.

Main sources of electrical interference	
Material	Frequency range
Motors	10 kHz...100 MHz
Transformers/rectifiers	10 kHz...100 MHz
Inductive load switching	50 kHz...10 MHz
Spot welders	10 kHz...50 MHz
Florescent lamps	100 kHz...3 MHz
Relays, contactors	10 kHz...200 MHz
Switching power sources	10 kHz...30 MHz
Computers (internal clock)	50 kHz...200 MHz
Variable speed drives	10 kHz...100 MHz
Induction furnaces	0...10 kHz
Power cables	0...10 kHz



## Attenuation level of EMC fields

The waves of electrical or magnetic fields are reflected when they meet the sheet metal of the enclosure.

The effective rate of the screening or dampening "a" of the incident wave is measured in decibels (dB) using the following formulae:

$$a = 20 \log \frac{E_0}{E_1} \text{ (dB) for electrical fields,}$$

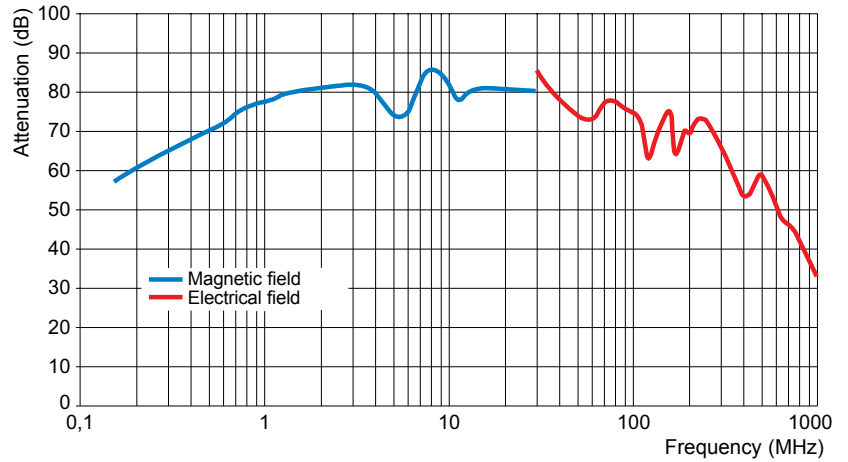
$$a = 20 \log \frac{H_0}{H_1} \text{ (dB) for magnetic fields,}$$

E0 and E1 are the current values of the electrical field, before entering and after entering the enclosure respectively.

H0 and H1 are the magnetic field values.

## Example of attenuation level of S3HF enclosures

The presence of 55% aluminum on the surface of the sheet metal helps ensure good reflection of electromagnetic waves. The graph shows the attenuation curves (dB) according to the frequency (MHz).



## Installation

Choose installation components and methods that provide the most economical solution for the type of interference generated by the devices:

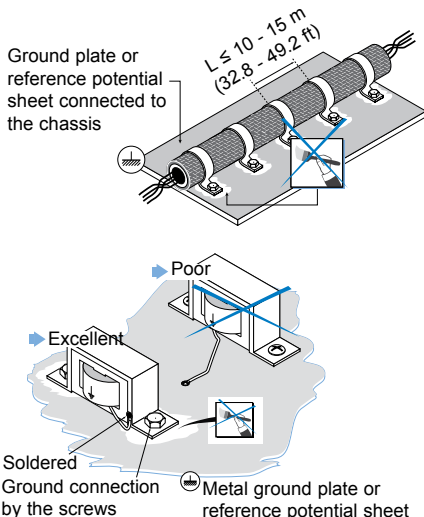
- Low frequencies, "conducted interference" (up to 30 MHz).
- High frequencies, "radiated interference" (higher than 1 MHz).

### Low-frequency interference

- For low-frequency interference, protection systems are important:
  - Filters, overvoltage suppressor, isolating transformer for the power supply.
  - Cable length.

### High-frequency interference

- For high-frequency interference, the installation method is important:
  - Ground connections, cable length and section.
  - Cable selection and rules, cable runs, connections.
  - Enclosures and installation.



## Specifics

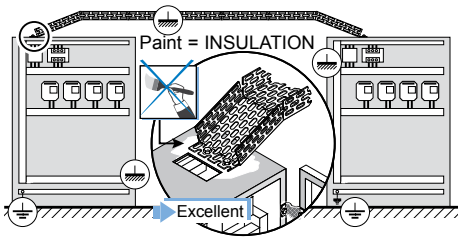
### Screen connections

It is recommended to ground screens at both ends. In addition, it is advisable to increase the number of ground connections. If the screen is only grounded at one end, there can be a difference in potential between the two ends. In addition, this screen will be ineffective against external high-frequency interference.

### Transformers

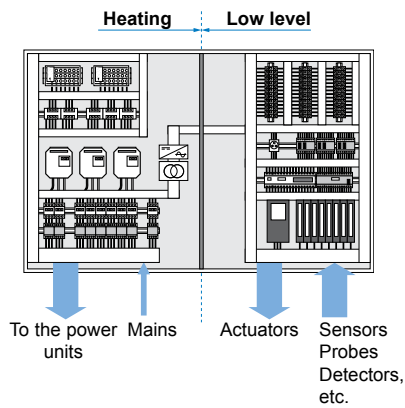
The transformer chassis must be mounted, metal to metal, on the reference potential plate; that is, on a plain chassis supporting the equipment.





## Cable runs

The metal ducts and conduits, when correctly connected, provide an extremely effective second screen for the cables.  
Cable ends must be screwed to the metal enclosures in order to provide an effective connection.



## Enclosures

The interfering and sensitive components, cables etc. should be installed in separate enclosures or located at some distance from each other.

**Note:** For further information, contact us or obtain our educational leaflet entitled "Electromagnetic compatibility."

# NEMA AND UL classification of electrical equipment enclosures

NEMA and UL are standardization bodies, commonly recognized in North America, which have issued similar classifications of enclosures according to the protection offered in various environments.

The 1st table below summarizes this classification, which does not include potentially explosive areas. The detailed recommendations of this classification are given on the next page.

The 2nd table indicates the classification of our enclosures.

These classifications appear in our UL certifications (see Enclosure certifications on page 9/2).

Certification according to the UL classification guarantees the corresponding NEMA classification by equivalence.

Environment and protection	Classification												
	1	2	3	3R	3S	4	4X	5	6	6P	12	12K	13
Indoor use	●	●	●	●	●	●	●	●	●	●	●	●	●
Outdoor use			●	●	●	●	●	●	●	●	●	●	●
Incidental contact with the equipment	●	●	●	●	●	●	●	●	●	●	●	●	●
Dirt	●	●	●	●	●	●	●	●	●	●	●	●	●
Drips and gentle splashes of non-corrosive liquids		●	●	●	●	●	●	●	●	●	●	●	●
Rain, frost(*) and snow			●	●	●	●	●		●	●			
Frost (**)					●								
Dust, fibers and particles in suspension			●		●	●	●		●	●	●	●	●
Built-up dust, fibers and particles in suspension			●		●	●	●	●	●	●	●	●	●
Clouds of dust			●		●	●	●		●	●			
Splashes and jets of water						●	●		●	●			
Gentle splashes and leaks of oil or non-corrosive coolants											●	●	●
Drips, splashing and spraying of oil or non-corrosive coolants													●
Corrosive agents							●			●			
Occasional temporary immersion									●	●			
Occasional prolonged immersion										●			

(\*) The operation of the external mechanisms is not required when the enclosure is covered with frost.

(\*\*) The operation of the external mechanisms is required when the enclosure is covered with frost.

Enclosures		Type of protection (1)												
		1	2	3	3R	3S	4	4X	5	6	6P	12	12K	13
Steel wall-mounting enclosures	S3DC	●	●	● (*)	● (*)		● (*)	● (*)				● (**)	● (**)	● (**)
	CRN	●	● (*)	● (*)	● (*)		● (*)		● (*)			●		●
Stainless-steel wall-mounting enclosures	S3X	●	● (*)	● (*)	● (*)		● (*)	● (*)	● (*)			●	● (**)	● (*)
Steel floor-standing enclosures	SM	●	● (*)	● (*)	● (*)		● (*)		● (*)			●	●	● (*)
Steel modular enclosures	SF	●										●	●	
Stainless-steel floor-standing enclosures	SMX	●	● (*)	● (*)	● (*)		● (*)	● (*)	● (*)			●	●	● (*)
Stainless-steel modular enclosures	SFX	●										●	●	
Thermoplastic boxes	TBS - TBP	●		●		●	●	●				●		●
Polyester modular boxes	PLS	●	●	●	●	●	●	●				●		●
Polyester wall-mounting enclosures	PLM	●	●	●	●	●	●	●				●		●
Polyester floor-standing enclosures	PLA	●	●	● (*)	● (*)		● (*)	● (*)	● (*)			●		●

(\*) 1 door.

(\*\*) 2 doors.

Components		Type of protection (1)												
		1	2	3	3R	3S	4	4X	5	6	6P	12	12K	13
Ventilation system	CV											●	●	
Thermal regulation system	CC											●	●	

(1) In some ranges the classification depends on the model and version. The detailed protection types are indicated in the UL certifications.

# NEMA AND UL classification of electrical equipment enclosures



The enclosures must protect the equipment against environmental conditions and protect personnel against the risk of incidental contact with the equipment. The following classifications (Type) are required according to the required uses and descriptions:

Type	Use	Description
1	Indoor use.	The enclosure provides protection for personnel against incidental contact with the internal equipment and protects said equipment against dirt.
2	Indoor use.	The enclosure provides protection for personnel against incidental contact with the internal equipment and protects said equipment against dirt, drips and gentle splashes of non-corrosive liquids.
3	Indoor and outdoor use.	The enclosure provides protection for personnel against incidental contact with the internal equipment and protects said equipment against dirt, rain, sleet, snow, windblown dust and resists the formation of ice on the outside.
3R	Indoor and outdoor use.	The enclosure provides protection for personnel against incidental contact with the internal equipment and protects said equipment against dirt, rain, sleet, snow and resists the formation of ice on the outside.
3S	Indoor and outdoor use.	The enclosure provides protection for personnel against incidental contact with the internal equipment and protects said equipment against dirt, rain, sleet, snow and windblown dust. The external mechanism must continue to work even when layers of ice are formed.
4	Indoor and outdoor use.	The enclosure provides protection for personnel against incidental contact with the internal equipment and protects said equipment against dirt, rain, sleet, snow, windblown dust, splashes and hose-directed water and resists the formation of frost on the outside.
4x	Indoor and outdoor use.	The enclosure provides protection for personnel against incidental contact with the internal equipment and protects said equipment against dirt, rain, sleet, snow, windblown dust, splashes, hose-directed water and resists corrosion and the formation of ice on the outside.
5	Indoor use.	The enclosure provides protection for personnel against incidental contact with the internal equipment and protects said equipment against dirt, settling airborne dust, lint, fibers, flyings, drips and gentle splashes of non-corrosive liquids.
6	Indoor and outdoor use.	The enclosure provides protection for personnel against incidental contact with the internal equipment and protects said equipment against dirt, rain, sleet, snow, hose-directed water, the entry of water during occasional temporary submersion to a limited depth and resists the formation of ice on the outside.
6P	Indoor and outdoor use.	The enclosure provides protection for personnel against incidental contact with the internal equipment and protects said equipment against dirt, rain, sleet, snow, hose-directed water, the entry of water during prolonged submersion to a limited depth and resists corrosion and the formation of ice on the outside.
12	Indoor use. (without knockouts).	The enclosure provides protection for personnel against incidental contact with the internal equipment and protects said equipment against dirt, dust, fluff, fibers, particles in suspension, drips and gentle splashes of non-corrosive liquids as well as gentle splashes or leaks of oil and non-corrosive coolants.
12K	Indoor use. (enclosures with pre-routing).	The enclosure provides protection for personnel against incidental contact with the internal equipment and protects said equipment against dirt, dust, lint, fibers, flyings, drips and gentle splashes of non-corrosive liquids as well as gentle splashes or leaks of oil and non-corrosive coolants.
13	Indoor use.	The enclosure provides protection for personnel against incidental contact with the internal equipment and protects said equipment against dirt, dust, lint, fibers flyings and the spraying, splashing, and seepage leaks of water, oil or non-corrosive coolants.

Note: The above recommendations aim to explain the NEMA and UL classifications, but are not the official texts of NEMA or UL.

The exact definitions provided by the organizations are those in standards NEMA 250 and UL 50E.





# Index of catalog numbers

Catalog Number	Page
<b>1</b>	
13934	2/32, 2/33
<b>I</b>	
IMT34000	2/32, 2/41
IMT34001	2/32, 2/41
IMT34002	2/32, 2/41
IMT34003	2/32
IMT34004	2/32
IMT34005	2/32
IMT34006	2/32
IMT34007	2/32
IMT34008	2/32
IMT34009	2/41
IMT36150	2/35, 8/70
IMT36151	2/35, 8/70
IMT36152	2/35, 8/70
IMT36153	2/35, 8/70
IMT36154	2/35, 8/70
IMT36155	2/35, 8/70
IMT36156	2/35, 8/70
IMT36157	2/35, 8/70
IMT36158	2/35, 8/70
IMT36159	2/35, 8/70
IMT36160	2/35, 8/70
IMT36161	2/35, 8/70
IMT36162	2/35, 8/70
IMT36163	2/35, 8/70
IMT36164	2/35, 8/70
IMT36165	2/35, 8/70
IMT36166	2/35, 8/70
IMT36167	2/35, 8/70
IMT36168	2/35, 8/70
IMT36169	2/35, 8/70
IMT36170	2/35, 8/70
IMT36171	2/35, 8/70
IMT36172	2/34, 8/69
IMT36173	2/34, 8/69
IMT36179	2/32, 2/34, 8/69
IMT36180	2/32, 2/34, 8/69
IMT36181	2/32, 2/34, 8/69
IMT36182	2/32, 2/34, 8/69
IMT36183	2/32, 2/34, 8/69
IMT36184	2/32, 2/34, 8/69
IMT36185	2/34, 8/69
ISM71071	2/34, 8/69
ISM71072	2/34, 8/69
ISM71073	2/34, 8/69
ISM71074	2/34, 8/69
ISM71501	2/32, 2/35, 8/70
ISM71502	2/32, 2/35, 8/70
ISM71503	2/32, 2/35, 8/70
ISM71504	2/32, 2/35, 8/70
ISM71505	2/32, 2/35, 8/70
ISM71506	2/32, 2/35, 8/70

<b>M</b>	
MNSYTMME	6/23
MSYTLJISME	6/23

<b>N</b>	
NSY1TH	4/90, 8/45
NSY2SP124	1/14, 4/18, 4/22, 4/25
NSY2SP125	4/22, 4/25
NSY2SP126	1/14, 4/18, 4/22, 4/25
NSY2SP128	4/22, 4/25
NSY2SP144	1/14, 4/18, 4/22, 4/25
NSY2SP145	4/22, 4/25
NSY2SP146	4/22, 4/25
NSY2SP148	4/22, 4/25
NSY2SP164	4/22, 4/25

Catalog Number	Page
NSY2SP165	4/22, 4/25
NSY2SP166	1/14, 4/18, 4/22, 4/25
NSY2SP168	1/14, 4/18, 4/22, 4/25
NSY2SP184	1/14, 4/18, 4/22, 4/25
NSY2SP185	1/14, 4/18, 4/22, 4/25
NSY2SP186	1/14, 4/18, 4/22, 4/25
NSY2SP188	1/14, 4/18, 4/22, 4/25
NSY2SP204	1/14, 1/17, 4/18, 4/23, 4/25
NSY2SP205	1/14, 1/17, 4/18, 4/23, 4/25
NSY2SP206	1/14, 1/17, 4/18, 4/23, 4/25, 4/74
NSY2SP208	1/14, 1/17, 4/18, 4/23, 4/25, 4/74
NSY2SP224	1/17, 4/23, 4/25
NSY2SP225	1/17, 4/23, 4/25
NSY2SP226	1/14, 1/17, 4/18, 4/23, 4/25
NSY2SP228	1/14, 1/17, 4/18, 4/23, 4/25
NSY2SPI126	4/26
NSY2SPI185	4/26
NSY2SPI186	4/26
NSY2SPI188	4/26
NSY2SPI204	4/26
NSY2SPI205	4/26
NSY2SPI206	4/26
NSY2SPI208	4/26
NSY2SPI226	4/26
NSY2SPI228	4/26
NSY2SPQ126	4/26
NSY2SPQ128	4/26
NSY2SPQ146	4/26
NSY2SPQ148	4/26
NSY2SPQ166	4/26
NSY2SPQ168	4/26
NSY2SPQ186	4/26
NSY2SPQ188	4/26
NSY2SPQ206	4/26
NSY2SPQ208	4/26
NSY2SPQ226	4/26
NSY2SPQ228	4/26
NSY2SPX184	1/19, 5/22, 5/24
NSY2SPX204	1/19, 5/22, 5/24
NSY2SPX205	1/19, 5/22, 5/24
NSY2SPX206	1/19, 5/22, 5/24
NSYADR100	8/51
NSYADR120	8/51
NSYADR200	8/52
NSYADR200D	8/52
NSYADR60	8/51
NSYADR80	8/51
NSYAECPFLLBP	4/62, 8/71
NSYAECPFLLT25	4/62, 8/71
NSYAECPFLLT35	4/62, 8/71
NSYAECPFLLT7	4/62, 8/71
NSYAEDH120S3D	3/27
NSYAEDH180S3D	3/27
NSYAEDH20TB	2/32, 2/37
NSYAEDH40TB	2/32, 2/37
NSYAEDKTB	2/38
NSYAEDL1242S3D	3/26
NSYAEDL2331S3D	3/26
NSYAEDL2433S3D	3/26
NSYAEDL3113S3D	3/26
NSYAEDL405S3D	3/26
NSYAEDL421S3D	3/26
NSYAEDL455S3D	3/26
NSYAEDLB3S3D	3/26
NSYAEDLB5S3D	3/26
NSYAEDLDINS3D	3/27

Catalog Number	Page
NSYAEDLEDF13S3D	3/27
NSYAEDLEDF14S3D	3/27
NSYAEDLEDF9S3D	3/27
NSYAEDLPADS3D	3/27
NSYAEDLS6S3D	3/26
NSYAEDLS7S3D	3/26
NSYAEDLS8S3D	3/26
NSYAEDLS9S3D	1/13, 3/5
NSYAEDLSDS3D	3/26
NSYAEDLT6S3D	3/26
NSYAEDLT8S3D	3/26
NSYAEDRS3DPA6	3/29
NSYAEDRSCST	3/15, 3/29, 3/37, 8/96
NSYAEDS20TB	2/38
NSYAEDS40TB	2/38
NSYAEDS60TB	2/38
NSYAEDSB320TB	2/38
NSYAEDSB520TB	2/38
NSYAEDST620TB	2/38
NSYAEDST820TB	2/38
NSYAEDXS24	2/9
NSYAFAHLBSC	3/14, 3/20, 3/36, 3/52, 3/56
NSYAEPF33DW100	3/21, 3/36
NSYAEPF33DW20	3/21, 3/36
NSYAEPF33DW30	3/21, 3/36
NSYAEPF33DW40	3/21, 3/36
NSYAEPF33DW50	3/21, 3/36
NSYAEPF33DW60	3/21, 3/36
NSYAEPF33DW80	3/21, 3/36
NSYAEPF33FSC	1/12, 2/7, 3/4, 3/14, 3/20, 3/36, 3/52, 3/55
NSYAEPFXSC	2/7, 3/14, 3/20, 3/36, 3/56
NSYAEPFS24	2/9
NSYAEPFTB	2/32, 2/36
NSYAELYTCRG8	3/14, 3/24, 3/36
NSYAEUBU41SC	3/17, 3/60
NSYAEUBU61SC	3/17, 3/60
NSYAEUBUSC	3/17, 3/60
NSYAMCSF	8/6
NSYAMFEP154TB	2/32, 2/39
NSYAMFEP204TB	2/32, 2/39
NSYAMFEP304TB	2/32, 2/39
NSYAMFESTB	2/32, 2/39, 2/40
NSYAMFET154TB	2/32, 2/39, 2/40
NSYAMFET204TB	2/32, 2/39, 2/40
NSYAMFET304TB	2/32, 2/39, 2/40
NSYAMFSTB	2/39, 2/40
NSYAMPA1916TB	2/32, 2/39
NSYAMPA2419TB	2/32, 2/39
NSYAMPA2924TB	2/32, 2/39
NSYAMPA3429TB	2/32, 2/39
NSYAMP1612SB	2/4, 2/8, 2/9
NSYAMP1816SB	2/8, 2/9
NSYAMP1916TB	2/32, 2/39
NSYAMP2020SB	2/4
NSYAMP2321SB	2/8, 2/9
NSYAMP2419TB	2/32, 2/39
NSYAMP2525SB	2/4
NSYAMP2924TB	2/32, 2/39
NSYAMP3030SB	2/4
NSYAMP3429TB	2/32, 2/39
NSYAMP4040SB	2/4
NSYAMRD11155TB	2/40
NSYAMRD11357TB	2/40
NSYAMRD16155TB	2/40
NSYAMRD16357TB	2/40
NSYAMRD19155TB	2/40
NSYAMRD19357TB	2/40
NSYAMRD24155TB	2/40
NSYAMRD243515TB	2/40
NSYAMRD24357TB	2/40
NSYAMRD29155TB	2/40

Catalog Number	Page
NSYAMRD293515TB	2/40
NSYAMRD29357TB	2/40
NSYAMRD34155TB	2/40
NSYAMRD343515TB	2/40
NSYAMRD34357TB	2/40
NSYAPMC1813SB	2/9
NSYAPMC2321SB	2/9
NSYAPT22BTB	2/41
NSYAPT22GTB	2/41
NSYAPT22NTB	2/41
NSYAPT31BTB	2/41
NSYAPT31GTB	2/41
NSYAPT31NTB	2/41
NSYAT32	8/56
NSYATM27	6/10
NSYAW24	8/100
NSYAW25	8/100
NSYAW26	8/100
NSYAW44	8/100
NSYAW45	8/100
NSYAW46	8/100
NSYAW54	8/100
NSYAW55	8/100
NSYAW56	8/100
NSYAW64	8/100
NSYAW65	8/100
NSYAW66	8/100
NSYAW84	8/100
NSYAW85	8/100
NSYAW86	8/100
NSYAZ3PLA	6/45
NSYAZ4PLA	6/45
NSYB204	8/66
NSYB404	8/66
NSYB406	8/66
NSYBANPLA53	6/57
NSYBANPLA54	6/57
NSYBANPLA73	6/57
NSYBANPLA74	6/57
NSYBCE10	4/49
NSYBCE12	4/49
NSYBCE16	4/49
NSYBCE3	4/49
NSYBCE4	4/49
NSYBCE6	4/49
NSYBCE8	4/49
NSYBCME	5/25, 6/25
NSYBCPL	1/20, 6/25, 6/30
NSYBCPLA	6/50
NSYBE27	6/9
NSYBL27	6/9
NSYBLKH123	4/71
NSYBN204	8/66
NSYBN206	8/66
NSYBN404	8/66
NSYBN406	8/66
NSYBN408	8/66
NSYBN606	8/66
NSYBN608	8/66
NSYBN610	8/66
NSYBP126	1/16, 4/22
NSYBP128	1/16, 4/22
NSYBP146	1/16, 4/22
NSYBP148	1/16, 4/22
NSYBP166	1/16, 4/22
NSYBP168	1/16, 4/22
NSYBP1810	1/16, 4/22
NSYBP1812	1/16, 4/22
NSYBP184	1/16, 4/22
NSYBP186	1/16, 4/22
NSYBP188	1/16, 4/22
NSYBP2010	1/17, 4/23
NSYBP2012	1/17, 4/23
NSYBP2016	1/17, 4/23

# Index of catalog numbers

Catalog Number	Page
NSYBP203	1/17, 4/23
NSYBP204	1/17, 4/23
NSYBP206	1/17, 4/23
NSYBP208	1/17, 4/23
NSYBP2210	1/17, 4/23
NSYBP2212	1/17, 4/23
NSYBP224	1/17, 4/23
NSYBP226	1/17, 4/23
NSYBP228	1/17, 4/23
NSYBPC3	8/89
NSYBPC5	8/89
NSYBPI126	4/27
NSYBPI166	4/27
NSYBPI168	4/27
NSYBPI1810	4/27
NSYBPI186	4/27
NSYBPI188	4/27
NSYBPI2010	4/27
NSYBPI2012	4/27
NSYBPI204	4/27
NSYBPI206	4/27
NSYBPI208	4/27
NSYBPI2210	4/27
NSYBPI226	4/27
NSYBPI228	4/27
NSYBRF12PLA	1/25
NSYBRF17PLA	1/25
NSYBRF26PLA	1/25
NSYBRF8PLA	1/25
NSYBRP11PLA	1/25
NSYBRP16PLA	1/25
NSYBRP20PLA	1/25
NSYBRP25PLA	1/25
NSYBRP7PLA	1/25
NSYBU108PLM	1/21, 6/19, 6/20
NSYBUPLM	1/21, 6/19, 6/20
NSYCAAPV	7/20
NSYCAC228RMF	7/27
NSYCAF104X95X	7/28
NSYCAF108	7/24
NSYCAF125	7/20
NSYCAF125L55	7/21, 7/22
NSYCAF125M	7/20
NSYCAF125O	7/20
NSYCAF125T	7/20
NSYCAF130X110X	7/28
NSYCAF170X190X	7/28
NSYCAF223	7/20
NSYCAF223L55	7/21, 7/22
NSYCAF223M	7/20
NSYCAF223O	7/20
NSYCAF223T	7/20
NSYCAF228R	7/27
NSYCAF291	7/20
NSYCAF291L55	7/21, 7/22
NSYCAF291M	7/20
NSYCAF291O	7/20
NSYCAF291T	7/20
NSYCAF92	7/20
NSYCAF92M	7/20
NSYCAC104X95LM	7/28
NSYCAC108LP	7/24
NSYCAC110X46M	7/28
NSYCAC114LP	7/25
NSYCAC125LPC	7/13, 7/20
NSYCAC125LPC	6/46, 7/13, 7/20, 7/21, 7/22
NSYCAC12LPH1	2/32, 2/42, 7/29
NSYCAC12LPH2	2/32, 2/42, 7/29
NSYCAC130X110LM	7/28
NSYCAC170X190LM	7/28
NSYCAC180X62M	7/28
NSYCAC19LP	7/29
NSYCAC216X62M	7/28
NSYCAC223LPC	7/13, 7/20

Catalog Number	Page
NSYCAC223LPC	7/13, 7/20, 7/21, 7/22
NSYCAC291LPC	7/13, 7/20
NSYCAC291LPC	7/13, 7/20, 7/21, 7/22
NSYCAC317X120M	7/28
NSYCAC317X91M	7/28
NSYCAC33LP	7/29
NSYCAC35LP	6/27, 7/29
NSYCAC38LP	7/29
NSYCAC417X120M	7/28
NSYCAC45LP	7/29
NSYCAC78LP	7/25
NSYCAC92LPC	7/13, 7/20
NSYCAC92LPC	7/13, 7/21, 7/23
NSYCAP125LE	7/13, 7/22, 7/23
NSYCAP125LXF	7/13, 7/21, 7/23
NSYCAP125LZF	7/13, 7/21, 7/23
NSYCAP223LE	7/13, 7/22, 7/23
NSYCAP223LXF	7/13, 7/21, 7/23
NSYCAP223LZF	7/13, 7/21, 7/23
NSYCAP291LE	7/13, 7/22, 7/23, 7/24
NSYCAP291LXF	7/13, 7/21, 7/23
NSYCAP291LZF	7/13, 7/21, 7/23
NSYCAPLA100	6/56
NSYCAPLA50	6/56
NSYCAPLA75	6/56
NSYCBCCRN	3/62
NSYCBCMPLA	6/51
NSYCCAST	7/49
NSYCCOBY230VID	7/49, 7/56
NSYCCOBY120VID	7/49, 7/55
NSYCCOBY230VID	7/49, 7/55
NSYCCOBY30VID	7/49, 7/55
NSYCCOTH120VID	7/49, 7/54
NSYCCOTH230VID	7/49, 7/54
NSYCCOTH30VID	7/49, 7/54
NSYCCOTH30VID	7/48, 7/50
NSYCCOTHCF	7/48, 7/50
NSYCCOTHDF	7/48, 7/53
NSYCCOTHDF	7/48, 7/53
NSYCCOTHIF	7/48, 7/52
NSYCCOTHIF	7/48, 7/52
NSYCCOTHOF	7/48, 7/51
NSYCCD2M10075	8/86
NSYCCD2M12575	8/86
NSYCCD2M2525	8/86
NSYCCD2M2550	8/86
NSYCCD2M3750	8/86
NSYCCD2M3755	8/86
NSYCCD2M5050	8/86
NSYCCD2M5075	8/86
NSYCCD2M7525	8/86
NSYCCD2M7550	8/86
NSYCCD2M7575	8/86
NSYCCDB3	3/62
NSYCCDC2M100	8/86
NSYCCDC2M125	8/86
NSYCCDC2M25	8/86
NSYCCDC2M37	8/86
NSYCCDC2M50	8/86
NSYCCDC2M75	8/86
NSYCDL	8/88
NSYCDP36	4/77
NSYCDP38	4/77
NSYCDRB	8/86
NSYCDSD	8/87
NSYCEAF	7/33
NSYCECS610	4/94
NSYCECS66	4/94
NSYCECS68	4/94
NSYCECS810	4/94
NSYCECS86	4/94

Catalog Number	Page
NSYCECS88	4/94
NSYCEFILS	4/98
NSYCEJ	4/52
NSYCEJD	8/75
NSYCEJD11	8/75
NSYCEJD13	8/75
NSYCEJD16	8/75
NSYCEJD18	8/75
NSYCEJD20	8/75
NSYCEJD22	8/75
NSYCEJD24	8/75
NSYCEJD26	8/75
NSYCEJD28	8/75
NSYCEJD3	8/75
NSYCEJD30	8/75
NSYCEJD5	8/75
NSYCEJD7	8/75
NSYCEJD9	8/75
NSYCEK	4/53
NSYCEP	8/103
NSYCEPLMA	1/21, 6/19, 6/21
NSYCEPLMC	1/21, 6/19, 6/21
NSYCEPLMC	1/21, 6/19, 6/21
NSYCFIX	4/82
NSYCFIX6	4/82
NSYCFIX8	4/82
NSYCFP100	8/79
NSYCFP60	8/79
NSYCFP80	8/79
NSYCFP126	8/79
NSYCFP128	8/79
NSYCFP96	8/79
NSYCFP98	8/79
NSYCHCOA	3/53
NSYCHCOB	3/53
NSYCHCOC	3/53
NSYCHCOD	3/53
NSYCL1242ECSX	5/10
NSYCL220CRN	3/62
NSYCL27L1242E	6/10
NSYCL27L405	6/10
NSYCL27M	6/10
NSYCL405CRN	2/17, 3/62
NSYCL405CSX	5/10
NSYCMACS50	3/81
NSYCMACS80	3/81
NSYCMBCP	3/75
NSYCMBP	3/75
NSYCMLAG	3/75
NSYCMOD6	4/83
NSYCMOD8	4/83
NSYCMSP	3/75
NSYCMT2560110	3/74
NSYCMT5005	3/70, 3/71, 3/83
NSYCMT5010	3/70, 3/71, 3/83
NSYCMT5015	3/70, 3/71, 3/83
NSYCMT5020	3/70, 3/71, 3/83
NSYCMT8005	3/70, 3/71, 3/83
NSYCMT8010	3/70, 3/71, 3/83
NSYCMT8015	3/70, 3/71, 3/83
NSYCMT8020	3/70, 3/71, 3/83
NSYCMUCC50	3/71, 3/81
NSYCMUCC80	3/71, 3/81
NSYCMUCP50	3/70, 3/82
NSYCMUCP80	3/70, 3/82
NSYCMUCPAD87	3/82
NSYCMUCR50	3/70, 3/71, 3/80
NSYCMUCR80	3/70, 3/71, 3/80
NSYCMUIA50	3/71, 3/78
NSYCMUIA80	3/71, 3/78
NSYCMUIA50	3/71, 3/76
NSYCMUIA80	3/71, 3/76
NSYCMUMC50	3/71, 3/77
NSYCMUMC80	3/71, 3/77

Catalog Number	Page
NSYCMUMR50	3/70, 3/71, 3/76
NSYCMUMR80	3/70, 3/71, 3/76
NSYCMUTC50	3/71, 3/78
NSYCMUTC80	3/71, 3/78
NSYCN20	8/54
NSYCN40	8/54
NSYCN60	8/54
NSYCN9M625	4/41
NSYCNFM6	8/24, 8/39
NSYCNFM8	8/24, 8/39
NSYCNM6	8/24, 8/39
NSYCNM8	8/24, 8/39
NSYCNH123	4/71
NSYCNT20	8/54
NSYCNT40	8/54
NSYCNT60	8/54
NSYCOCN80	3/53
NSYCP185	4/28
NSYCP186	4/28
NSYCP205	4/28
NSYCP206	4/28
NSYCP17	8/84
NSYCP29	8/84
NSYCP37	8/84
NSYCP50	8/84
NSYCP17	8/84
NSYCP29	8/84
NSYCP37	8/84
NSYCP50	8/84
NSYCR100WU2C	7/41, 7/44
NSYCR100WU2C	7/41, 7/43
NSYCR150WU2C	7/41, 7/44
NSYCR170W230VVC	7/42, 7/45
NSYCR20WU2C	7/41, 7/43
NSYCR50WU2C	7/41, 7/44
NSYCRCKP12	4/84
NSYCRCKP16	4/84
NSYCRCKP21	4/84
NSYCRCKP25	4/84
NSYCRCKP3	4/84
NSYCRCKP7	4/84
NSYCRN106250	1/10, 3/50
NSYCRN106250P	1/10, 3/50
NSYCRN106250T	1/10, 3/50
NSYCRN106300	1/10, 3/50
NSYCRN106300P	1/10, 3/50
NSYCRN106300T	1/10, 3/50
NSYCRN108250	1/10, 3/50
NSYCRN108250P	1/10, 3/50
NSYCRN108250T	1/10, 3/50
NSYCRN108300	1/10, 3/50
NSYCRN108300P	1/10, 3/50
NSYCRN108300T	1/10, 3/50
NSYCRN22150	1/10, 3/50
NSYCRN23150	1/10, 3/50
NSYCRN252150	1/10, 3/50
NSYCRN252150P	1/10, 3/50
NSYCRN325150	1/10, 3/50
NSYCRN325150P	1/10, 3/50
NSYCRN325150T	1/10, 3/50
NSYCRN325200	1/10, 3/50
NSYCRN325200P	1/10, 3/50
NSYCRN325200T	1/10, 3/50
NSYCRN33150	1/10, 3/50
NSYCRN33150P	1/10, 3/50
NSYCRN33150T	1/10, 3/50
NSYCRN33200	1/10, 3/50
NSYCRN33200P	1/10, 3/50
NSYCRN33200T	1/10, 3/50
NSYCRN34200	1/10, 3/50
NSYCRN34200T	1/10, 3/50
NSYCRN345150	1/10, 3/50
NSYCRN43150	1/10, 3/50
NSYCRN43150P	1/10, 3/50



# Index of catalog numbers

Catalog Number	Page	Catalog Number	Page	Catalog Number	Page	Catalog Number	Page
NSYCRN43150T	1/10, 3/50	NSYCRNG1010300D	1/10, 3/50	NSYCVF35M230	7/25	NSYDPR60	8/53
NSYCRN43200	1/10, 3/50	NSYCRNG1010300T	1/10, 3/50	NSYCVF38M115PF	7/13, 7/14	NSYDPR80	8/53
NSYCRN43200P	1/10, 3/50	NSYCRNG1012300D	1/10, 3/50	NSYCVF38M230PF	7/13, 7/14	NSYE1025	8/62
NSYCRN43200T	1/10, 3/50	NSYCRNG1012400D	1/10, 3/50	NSYCVF38M24DPF	7/13, 7/14	NSYE1525	8/62
NSYCRN44200	1/10, 3/50	NSYCRNG106400	1/10, 3/50	NSYCVF38M48DPF	7/13, 7/14	NSYE2025	8/62
NSYCRN44200P	1/10, 3/50	NSYCRNG106400T	1/10, 3/50	NSYCVF54M230MM2	7/24	NSYEB1510D6	8/101
NSYCRN44200T	1/10, 3/50	NSYCRNG108400	1/10, 3/50	NSYCVF560M115PF	7/13, 7/18, 7/19	NSYEB1516D8	8/101
NSYCRN46250	1/10, 3/50	NSYCRNG108400T	1/10, 3/50	NSYCVF560M230PF	7/13, 7/18, 7/19, 7/21, 7/22	NSYEB156D6	8/101
NSYCRN46250P	1/10, 3/50	NSYCRNG1210300D	1/10, 3/50	NSYCVF570M115MF	7/24	NSYEB2025D8	8/101
NSYCRN46250T	1/10, 3/50	NSYCRNG1210400D	1/10, 3/50	NSYCVF575M230MF	7/24	NSYEB2050D8	8/101
NSYCRN46300	1/10, 3/50	NSYCRNG1212300D	1/10, 3/50	NSYCVF65M115PF	7/24	NSYEBPLA	6/51
NSYCRN46300P	1/10, 3/50	NSYCRNG1212400D	1/10, 3/50	NSYCVF65M230PF	7/24	NSYEC1	8/76
NSYCRN46300T	1/10, 3/50	NSYCRNG126300	1/10, 3/50	NSYCVF65M230PF	7/24	NSYEC2	8/76
NSYCRN54150	1/10, 3/50	NSYCRNG126300T	1/10, 3/50	NSYCVF850M115PF	7/13, 7/18, 7/19	NSYEC3	8/76
NSYCRN54150P	1/10, 3/50	NSYCRNG126400	1/10, 3/50	NSYCVF850M230PF	7/13, 7/18, 7/19, 7/21, 7/22	NSYEC4	8/76
NSYCRN54150T	1/10, 3/50	NSYCRNG126400T	1/10, 3/50	NSYCVF850M400PF	7/13, 7/18	NSYEC5	8/76
NSYCRN54200	1/10, 3/50	NSYCRNG128300	1/10, 3/50	NSYCVF85M115PF	7/13, 7/15	NSYEC6	8/76
NSYCRN54200P	1/10, 3/50	NSYCRNG128300T	1/10, 3/50	NSYCVF85M230PF	7/13, 7/15, 7/21, 7/22	NSYEC7	8/76
NSYCRN54200T	1/10, 3/50	NSYCRNG128400	1/10, 3/50	NSYCVF85M24DPF	7/13, 7/15	NSYEC104	1/14, 4/18, 4/49
NSYCRN54250	1/10, 3/50	NSYCRNG128400T	1/10, 3/50	NSYCVF85M48DPF	7/13, 7/15	NSYEC1041	1/14, 4/18, 4/49
NSYCRN54250P	1/10, 3/50	NSYCRNG1410300D	1/10, 3/50	NSYDA1510M	1/8, 2/15	NSYEC105	1/14, 4/18, 4/49
NSYCRN54250T	1/10, 3/50	NSYCRNG810300D	1/10, 3/50	NSYDA2015M	1/8, 2/15	NSYEC1051	1/14, 4/18, 4/49
NSYCRN55250	1/10, 3/50	NSYCRNG812300D	1/10, 3/50	NSYDA2520M	1/8, 2/15	NSYEC106	1/14, 4/18, 4/49
NSYCRN55250P	1/10, 3/50	NSYCRNG86400	1/10, 3/50	NSYDAN1510	1/8, 2/15	NSYEC1061	1/14, 4/18, 4/49
NSYCRN55250T	1/10, 3/50	NSYCRNG86400T	1/10, 3/50	NSYDAN2015	1/8, 2/15	NSYEC1062	1/14, 4/18, 4/49
NSYCRN64150	1/10, 3/50	NSYCRNGSDR	8/7	NSYDAN2015D	1/8, 2/17	NSYEC108	1/14, 4/18, 4/49
NSYCRN64150P	1/10, 3/50	NSYCS200PLM	1/21, 6/19, 6/26	NSYDAN2520	1/8, 2/15	NSYEC1081	1/14, 4/18, 4/49
NSYCRN64150T	1/10, 3/50	NSYCS300PLM	1/21, 6/19, 6/26	NSYDAN2520D	1/8, 2/17	NSYEC1082	1/14, 4/18, 4/49
NSYCRN64200	1/10, 3/50	NSYCS400PLM	1/21, 6/19, 6/26	NSYDAN3025D	1/8, 2/17	NSYEC124	1/14, 4/18, 4/49
NSYCRN64200P	1/10, 3/50	NSYCS500PLM	1/21, 6/19, 6/26	NSYDAN3530D	1/8, 2/17	NSYEC1241	1/14, 4/18, 4/49
NSYCRN64200T	1/10, 3/50	NSYCS600PLM	1/21, 6/19, 6/26	NSYDB1010M	1/8, 2/15	NSYEC125	1/14, 4/18, 4/49
NSYCRN64250	1/10, 3/50	NSYCS800PLM	1/21, 6/19, 6/26	NSYDB1510M	1/8, 2/15	NSYEC1251	1/14, 4/18, 4/49
NSYCRN64250P	1/10, 3/50	NSYCSPLA100	6/56	NSYDB2015M	1/8, 2/15	NSYEC126	1/14, 4/18, 4/49
NSYCRN64250T	1/10, 3/50	NSYCSPLA50	6/56	NSYDB2520M	1/8, 2/15	NSYEC1261	1/14, 4/18, 4/49
NSYCRN65150	1/10, 3/50	NSYCSPLA75	6/56	NSYDB3025M	1/8, 2/15	NSYEC1262	1/14, 4/18, 4/49
NSYCRN65150P	1/10, 3/50	NSYCUAI	7/33	NSYDB3530M	1/8, 2/15	NSYEC128	1/14, 4/18, 4/49
NSYCRN65150T	1/10, 3/50	NSYCUAY	7/33	NSYDB88M	1/8, 2/15	NSYEC1281	1/14, 4/18, 4/49
NSYCRN65200	1/10, 3/50	NSYCUB1100W115S	7/34	NSYDBN1010	1/8, 2/15	NSYEC1282	1/14, 4/18, 4/49
NSYCRN65200P	1/10, 3/50	NSYCUB1100W230S	7/32, 7/34	NSYDBN1510	1/8, 2/15	NSYEC164	1/14, 4/18, 4/49
NSYCRN65200T	1/10, 3/50	NSYCUB1100W400S	7/34	NSYDBN2015	1/8, 2/15	NSYEC1641	1/14, 4/18, 4/49
NSYCRN65250	1/10, 3/50	NSYCUB1500W115S	7/34	NSYDBN2015D	1/8, 2/17	NSYEC165	1/14, 4/18, 4/49
NSYCRN65250P	1/10, 3/50	NSYCUB1500W230S	7/34	NSYDBN2520	1/8, 2/15	NSYEC1651	1/14, 4/18, 4/49
NSYCRN65250T	1/10, 3/50	NSYCUB1500W400S	7/34	NSYDBN2520D	1/8, 2/17	NSYEC166	1/14, 4/18, 4/49
NSYCRN66200	1/10, 3/50	NSYCUB2200W115S	7/35	NSYDBN3025	1/8, 2/15	NSYEC1661	1/14, 4/18, 4/49
NSYCRN66200P	1/10, 3/50	NSYCUB2200W230S	7/35	NSYDBN3025D	1/8, 2/17	NSYEC1662	1/14, 4/18, 4/49
NSYCRN66200T	1/10, 3/50	NSYCUB2200W400S	7/35	NSYDBN3530	1/8, 2/15	NSYEC35	1/14, 4/18, 4/49
NSYCRN66250	1/10, 3/50	NSYCUB2700W230S	7/35	NSYDBN3530D	1/8, 2/17	NSYEC351	1/14, 4/18, 4/49
NSYCRN66250P	1/10, 3/50	NSYCVF2700W400S	7/35	NSYDBN88	1/8, 2/15	NSYEC36	1/14, 4/18, 4/49
NSYCRN66250T	1/10, 3/50	NSYUCUF	7/34, 7/35	NSYDBP	3/62, 6/10	NSYEC361	1/14, 4/18, 4/49
NSYCRN66300	1/10, 3/50	NSYUCUFX	7/34, 7/35	NSYDCE10	4/53	NSYEC381	4/18
NSYCRN66300P	1/10, 3/50	NSYUCUCH	7/34, 7/35	NSYDCE12	4/53	NSYEC44	1/14, 4/18, 4/49
NSYCRN66300T	1/10, 3/50	NSYUCUCHX	7/34, 7/35	NSYDCE6	4/53	NSYEC440	4/96
NSYCRN68300	1/10, 3/50	NSYUCUL	7/34, 7/35	NSYDCE8	4/53	NSYEC441	1/14, 4/18, 4/49
NSYCRN68300T	1/10, 3/50	NSYUCULX	7/34, 7/35	NSYDCE240	8/75	NSYEC445	1/14, 4/18, 4/49
NSYCRN75200	1/10, 3/50	NSYUCUT30	8/56	NSYDCE2410	8/75	NSYEC451	1/14, 4/18, 4/49
NSYCRN75200P	1/10, 3/50			NSYDCE244	8/75	NSYEC46	1/14, 4/18, 4/49
NSYCRN75200T	1/10, 3/50			NSYDCM20	8/97	NSYEC461	1/14, 4/18, 4/49
NSYCRN75250	1/10, 3/50	NSYCVVA114M	7/25	NSYDPA3	8/94	NSYEC462	1/14
NSYCRN75250P	1/10, 3/50	NSYCVVA78M	7/25	NSYDPA4	1/12, 3/4, 8/94	NSYEC48	1/14, 4/18, 4/49
NSYCRN75250T	1/10, 3/50	NSYCVVAC100	7/25	NSYDPA44	1/12, 3/4, 8/94	NSYEC481	1/14, 4/18, 4/49
NSYCRN86200	1/10, 3/50	NSYCVF156M115	7/25	NSYDPA5	8/94	NSYEC482	1/14
NSYCRN86200P	1/10, 3/50	NSYCVF156M230	7/25	NSYDPLA3	6/54	NSYEC610	4/93
NSYCRN86200T	1/10, 3/50	NSYCVF165M115PF	7/13, 7/16	NSYDPLA4	6/54	NSYEC6101	4/93
NSYCRN86250	1/10, 3/50	NSYCVF165M230PF	7/13, 7/16, 7/21, 7/22	NSYDPLM200	1/20, 1/21, 6/19, 6/26, 6/30	NSYEC6102	4/93
NSYCRN86250P	1/10, 3/50	NSYCVF165M24DPF	7/13, 7/16	NSYDPLM250	1/20, 1/21, 6/19, 6/26, 6/30	NSYEC64	1/14, 4/18, 4/49
NSYCRN86250T	1/10, 3/50	NSYCVF165M48DPF	7/13, 7/16	NSYDPLM300	1/20, 1/21, 6/19, 6/26, 6/30	NSYEC641	1/14, 4/18, 4/49
NSYCRN86300	1/10, 3/50	NSYCVF170M115	7/26	NSYDPLM350	1/20, 1/21, 6/19, 6/26, 6/30	NSYEC65	1/14, 4/18, 4/49
NSYCRN86300P	1/10, 3/50	NSYCVF170M230	7/26	NSYDPR100	8/53	NSYEC651	1/14, 4/18, 4/49
NSYCRN86300T	1/10, 3/50	NSYCVF300M115PF	7/13, 7/17	NSYDPR120	8/53	NSYEC66	1/14, 4/18, 4/49, 4/93
NSYCRN88200	1/10, 3/50	NSYCVF300M230PF	7/13, 7/17, 7/21, 7/22	NSYDPR200	8/53	NSYEC661	1/14, 4/18, 4/49, 4/93
NSYCRN88200P	1/10, 3/50	NSYCVF300M48DPF	7/13, 7/17	NSYDPR200D	8/53	NSYEC662	1/14, 4/18, 4/49, 4/93
NSYCRN88200T	1/10, 3/50	NSYCVF35M115	7/25			NSYEC68	1/14, 4/18, 4/49, 4/93









# Index of catalog numbers

Catalog Number	Page	Catalog Number	Page	Catalog Number	Page	Catalog Number	Page
NSYMR3025	1/11, 1/20, 1/21, 3/51, 6/19, 6/30, 8/4	NSYPAP43	1/21, 6/19, 6/22	NSYPLA10103	1/22, 6/34	NSYPLA754	1/22, 6/34
NSYMR32	1/13, 1/18, 1/21, 2/7, 3/5, 3/15, 5/14, 6/19, 8/4	NSYPAP54	1/21, 6/19, 6/22	NSYPLA10103T	1/22, 6/34	NSYPLA754T	1/22, 6/34
NSYMR33	1/11, 1/13, 2/7, 3/5, 3/15, 3/51, 8/4	NSYPAP64	1/21, 6/19, 6/22	NSYPLA10104	1/22, 6/34	NSYPLA773	1/22, 6/34
NSYMR34	1/11, 3/51, 8/4	NSYPAP75	1/21, 6/19, 6/22	NSYPLA10104T	1/22, 6/34	NSYPLA773T	1/22, 6/34
NSYMR43	1/11, 1/13, 1/18, 1/20, 1/21, 2/7, 3/5, 3/15, 3/51, 5/14, 6/19, 6/30, 8/4	NSYPAP86	1/21, 6/19, 6/22	NSYPLA10123	1/22, 6/34	NSYPLA774	1/22, 6/34
NSYMR44	1/11, 1/13, 3/5, 3/15, 3/51, 8/4	NSYAPLA105	6/48	NSYPLA10123T	1/22, 6/34	NSYPLA774T	1/22, 6/34
NSYMR46	1/11, 3/51, 8/4	NSYAPLA105	1/24, 6/40, 6/48	NSYPLA10124	1/22, 6/34	NSYPLAT10103	1/23, 6/35
NSYMR53	2/7, 8/4	NSYAPLA107	6/48	NSYPLA10124T	1/22, 6/34	NSYPLAT10104	1/23, 6/35
NSYMR54	1/11, 1/13, 1/18, 1/20, 1/21, 2/7, 3/15, 3/51, 5/14, 6/19, 6/30, 8/4	NSYAPLA107	1/24, 6/40	NSYPLA1053	1/22, 6/34	NSYPLAT10123	1/23, 6/35
NSYMR55	1/11, 1/13, 3/5, 3/15, 3/37, 3/51, 8/4	NSYAPLA125	6/48	NSYPLA1053T	1/22, 6/34	NSYPLAT10124	1/23, 6/35
NSYMR64	1/11, 1/13, 1/18, 1/20, 1/21, 3/5, 3/15, 3/51, 5/14, 6/19, 6/30, 8/4	NSYAPLA125	1/24, 6/40, 6/48	NSYPLA1054	1/22, 6/34	NSYPLAT1053	1/23, 6/35
NSYMR65	1/11, 3/51, 8/4	NSYAPLA127	6/48	NSYPLA1054T	1/22, 6/34	NSYPLAT1054	1/23, 6/35
NSYMR66	1/11, 1/13, 3/5, 3/15, 3/37, 3/51, 8/4	NSYAPLA127	1/24, 6/40	NSYPLA1073	1/22, 6/34	NSYPLAT1073	1/23, 6/35
NSYMR68	1/11, 3/51, 8/4	NSYAPLA155	1/24, 6/40, 6/48	NSYPLA1073T	1/22, 6/34	NSYPLAT1074	1/23, 6/35
NSYMR75	1/11, 1/13, 1/18, 1/20, 1/21, 3/5, 3/15, 3/37, 3/51, 5/14, 6/19, 6/30, 8/4	NSYAPLA155	1/24, 6/40, 6/48	NSYPLA1074	1/22, 6/34	NSYPLAT12103	1/23, 6/35
NSYMR810	1/11, 3/51, 8/4	NSYAPLA157	6/48	NSYPLA1074T	1/22, 6/34	NSYPLAT12104	1/23, 6/35
NSYMR86	1/11, 1/13, 1/18, 1/20, 1/21, 3/5, 3/15, 3/37, 3/51, 5/14, 6/19, 6/30, 8/4	NSYAPLA157	1/24, 6/40	NSYPLA12103	1/22, 6/34	NSYPLAT12123	1/23, 6/35
NSYMR88	1/11, 1/13, 3/5, 3/15, 3/51, 8/4	NSYAPLA157	6/48	NSYPLA12103T	1/22, 6/34	NSYPLAT12124	1/23, 6/35
NSYMS43	5/14, 6/19, 6/30, 8/2	NSYAPLA55	1/24, 6/40, 6/48	NSYPLA12104	1/22, 6/34	NSYPLAT1253	1/23, 6/35
NSYMS44	8/2	NSYAPLA55	6/48	NSYPLA12104T	1/22, 6/34	NSYPLAT1254	1/23, 6/35
NSYMS46	6/19	NSYAPLA57	6/48	NSYPLA12123	1/22, 6/34	NSYPLAT1273	1/23, 6/35
NSYMS53	8/2	NSYAPLA57	1/24, 6/40	NSYPLA12123T	1/22, 6/34	NSYPLAT1274	1/23, 6/35
NSYMS54	5/14, 6/19, 6/30, 8/2	NSYAPLA75	1/24, 6/40, 6/48	NSYPLA12124	1/22, 6/34	NSYPLAT15103	1/23, 6/35
NSYMS55	8/2	NSYAPLA77	6/48	NSYPLA12124T	1/22, 6/34	NSYPLAT15104	1/23, 6/35
NSYMS64	5/14, 6/30, 8/2	NSYAPLA77	1/24, 6/40	NSYPLA1253	1/22, 6/34	NSYPLAT15123	1/23, 6/35
NSYMS66	8/2	NSYPC1	8/78	NSYPLA1253T	1/22, 6/34	NSYPLAT15124	1/23, 6/35
NSYMS75	5/14, 6/19, 6/30, 8/2	NSYPC2	8/78	NSYPLA1254	1/22, 6/34	NSYPLAT1553	1/23, 6/35
NSYMS86	5/14, 6/19, 6/30, 8/2	NSYPC3	8/78	NSYPLA1254T	1/22, 6/34	NSYPLAT1554	1/23, 6/35
NSYMSC26	4/81	NSYPC4	8/78	NSYPLA1273	1/22, 6/34	NSYPLAT1573	1/23, 6/35
NSYMSC28	4/81	NSYPC5	8/78	NSYPLA1273T	1/22, 6/34	NSYPLAT1574	1/23, 6/35
NSYMSC46	4/81	NSYPC6	8/78	NSYPLA1274	1/22, 6/34	NSYPLAT1574T	1/23, 6/35
NSYMSC48	4/81	NSYPC7	8/78	NSYPLA1274T	1/22, 6/34	NSYPLAT1575	1/23, 6/35
NSYMUPLA103	6/42	NSYPCV2D126	4/100	NSYPLA15103	1/22, 6/34	NSYPLAT1575T	1/23, 6/35
NSYMUPLA104	6/42	NSYPCV2D128	4/100	NSYPLA15103T	1/22, 6/34	NSYPLAT1577	1/23, 6/35
NSYMUPLA123	6/42	NSYPCV2D148	4/100	NSYPLA15104	1/22, 6/34	NSYPLAT1577T	1/23, 6/35
NSYMUPLA124	6/42	NSYPCV2D168	4/100	NSYPLA15104T	1/22, 6/34	NSYPLAZ10103	1/22, 6/36
NSYMUPLA153	6/42	NSYPCV2D188	4/100	NSYPLA15123	1/22, 6/34	NSYPLAZ10104	1/22, 6/36
NSYMUPLA154	6/42	NSYPCV2D206	4/100	NSYPLA15123T	1/22, 6/34	NSYPLAZ10123	1/22, 6/36
NSYMUPLA53	6/42	NSYPCV2D208	4/100	NSYPLA15124	1/22, 6/34	NSYPLAZ10124	1/22, 6/36
NSYMUPLA54	6/42	NSYPCV2D226	4/100	NSYPLA15124T	1/22, 6/34	NSYPLAZ1053	1/22, 6/36
NSYMUPLA73	6/42	NSYPCV2D228	4/100	NSYPLA1553	1/22, 6/34	NSYPLAZ1054	1/22, 6/36
NSYMUPLA74	6/42	NSYPCVD126	4/100	NSYPLA1553T	1/22, 6/34	NSYPLAZ1073	1/22, 6/36
NSYMW10M	8/99	NSYPCVD128	4/100	NSYPLA1554	1/22, 6/34	NSYPLAZ1074	1/22, 6/36
NSYMW10MK	8/99	NSYPCVD148	4/100	NSYPLA1554T	1/22, 6/34	NSYPLAZ12103	1/22, 6/36
NSYMW10MR	8/99	NSYPCVD168	4/100	NSYPLA1573	1/22, 6/34	NSYPLAZ12104	1/22, 6/36
NSYNM4	8/8	NSYPCVD188	4/100	NSYPLA1573T	1/22, 6/34	NSYPLAZ12123	1/22, 6/36
NSYNM5	8/8	NSYPCVD206	4/100	NSYPLA1574	1/22, 6/34	NSYPLAZ12124	1/22, 6/36
NSYNM6	1/12, 3/4, 8/8	NSYPCVD208	4/100	NSYPLA1574T	1/22, 6/34	NSYPLAZ1253	1/22, 6/36
NSYOL6GF	4/44	NSYPCVD226	4/100	NSYPLA5103	1/22, 6/34	NSYPLAZ1254	1/22, 6/36
NSYPA3025PLM	1/21, 6/19, 6/22	NSYPCVD228	4/100	NSYPLA5103T	1/22, 6/34	NSYPLAZ1273	1/22, 6/36
NSYPAP108	1/21, 6/19, 6/22	NSYPPF27N	6/8	NSYPLA5104	1/22, 6/34	NSYPLAZ1274	1/22, 6/36
		NSYPPF27X	6/8	NSYPLA5104T	1/22, 6/34	NSYPLAZ15103	1/22, 6/36
		NSYPPF2X	5/9	NSYPLA5123	1/22, 6/34	NSYPLAZ15123	1/22, 6/36
		NSYPPFCR	3/52	NSYPLA5123T	1/22, 6/34	NSYPLAZ15124	1/22, 6/36
		NSYPPFCX	1/12, 3/4, 5/9	NSYPLA5124	1/22, 6/34	NSYPLAZ1553	1/22, 6/36
		NSYPPFLM	1/12, 1/21, 3/4, 6/19, 6/21	NSYPLA5124T	1/22, 6/34	NSYPLAZ1554	1/22, 6/36
		NSYPPFLM32	1/21, 6/19	NSYPLA553	1/22, 6/34	NSYPLAZ1573	1/22, 6/36
		NSYPPFXPLM	6/21	NSYPLA553T	1/22, 6/34	NSYPLAZ1574	1/22, 6/36
		NSYPHX100	5/18, 5/26, 8/105	NSYPLA554	1/22, 6/34	NSYPLAZ1574T	1/22, 6/36
		NSYPHX200	5/18, 5/26, 8/105	NSYPLA573	1/22, 6/34	NSYPLAZ173	1/22, 6/36
		NSYPIN106	3/15, 3/52	NSYPLA573T	1/22, 6/34	NSYPLAZ174	1/22, 6/36
		NSYPIN108	3/15, 3/52, 3/65, 5/11	NSYPLA574	1/22, 6/34	NSYPLAZ15103	1/22, 6/36
		NSYPIN126	3/52, 3/65	NSYPLA574T	1/22, 6/34	NSYPLAZ15123	1/22, 6/36
		NSYPIN128	3/15, 3/52, 3/65, 5/11	NSYPLA7103	1/22, 6/34	NSYPLAZ15124	1/22, 6/36
		NSYPIN43	3/15, 3/52, 3/65, 5/11	NSYPLA7103T	1/22, 6/34	NSYPLAZ1553	1/22, 6/36
		NSYPIN54	3/15, 3/52, 3/65, 5/11	NSYPLA7104	1/22, 6/34	NSYPLAZ1554	1/22, 6/36
		NSYPIN64	3/15, 3/52, 3/65, 5/11	NSYPLA7104T	1/22, 6/34	NSYPLAZ1573	1/22, 6/36
		NSYPIN75	3/15, 3/52, 3/65, 5/11	NSYPLA7123	1/22, 6/34	NSYPLAZ1574	1/22, 6/36
		NSYPIN86	3/15, 3/52, 3/65, 5/11	NSYPLA7123T	1/22, 6/34	NSYPLAZ1574T	1/22, 6/36
				NSYPLA7124	1/22, 6/34	NSYPLAZ25103	1/22, 6/36
				NSYPLA7124T	1/22, 6/34	NSYPLAZ25104	1/22, 6/36
				NSYPLA753	1/22, 6/34	NSYPLAZ5123	1/22, 6/36
				NSYPLA753T	1/22, 6/34	NSYPLAZ5124	1/22, 6/36



# Index of catalog numbers

Catalog Number	Page	Catalog Number	Page	Catalog Number	Page	Catalog Number	Page
NSYPLAZ553	1/22, 6/36	NSYPLM54T	1/20, 6/16, 6/18	NSYPLSP2754	1/9, 6/5	NSYPMM107	1/24, 6/40, 6/52
NSYPLAZ554	1/22, 6/36	NSYPLM54TV	1/20, 6/16, 6/18	NSYPLSP3636	1/9, 6/5	NSYPMM1210	1/24, 6/40, 6/52
NSYPLAZ573	1/22, 6/36	NSYPLM54V	1/20, 6/16, 6/18	NSYPLSP3654	1/9, 6/5	NSYPMM1212	1/24, 6/40, 6/52
NSYPLAZ574	1/22, 6/36	NSYPLM64	1/13, 1/20, 3/5, 6/16, 6/17, 6/18	NSYPLSP5454	1/9, 6/5	NSYPMM125	1/24, 6/40, 6/52
NSYPLAZ7103	1/22, 6/36	NSYPLM64B	6/18	NSYPMA1010	1/24, 6/40, 6/52	NSYPMM127	1/24, 6/40, 6/52
NSYPLAZ7104	1/22, 6/36	NSYPLM64P	6/18	NSYPMA1012	1/24, 6/40, 6/52	NSYPMM1510	1/24, 6/40, 6/52
NSYPLAZ7123	1/22, 6/36	NSYPLM64T	1/20, 6/16, 6/18	NSYPMA105	1/24, 6/40, 6/52	NSYPMM1512	1/24, 6/40, 6/52
NSYPLAZ7124	1/22, 6/36	NSYPLM64TV	1/20, 6/16, 6/18	NSYPMA107	1/24, 6/40, 6/52	NSYPMM155	1/24, 6/40, 6/52
NSYPLAZ753	1/22, 6/36	NSYPLM64V	1/20, 6/16, 6/18	NSYPMA1210	1/24, 6/40, 6/52	NSYPMM157	1/24, 6/40, 6/52
NSYPLAZ754	1/22, 6/36	NSYPLM75	1/20, 6/16, 6/17, 6/18	NSYPMA1212	6/52, 1/24, 6/40	NSYPMM1827	6/6
NSYPLAZ773	1/22, 6/36	NSYPLM75B	6/18	NSYPMA125	1/24, 6/40, 6/52	NSYPMM2727	6/6
NSYPLAZ774	1/22, 6/36	NSYPLM75P	6/18	NSYPMA127	1/24, 6/40, 6/52	NSYPMM2736	6/6
NSYPLAZT10103	1/23, 6/37	NSYPLM75T	1/20, 6/16, 6/18	NSYPMA1510	1/24, 6/40	NSYPMM2754	6/6
NSYPLAZT10104	1/23, 6/37	NSYPLM75TV	1/20, 6/16, 6/18	NSYPMA1512	1/24, 6/40	NSYPMM3636	6/6
NSYPLAZT10123	1/23, 6/37	NSYPLM75V	1/20, 6/16, 6/18	NSYPMA155	1/24, 6/40	NSYPMM3654	6/6
NSYPLAZT10124	1/23, 6/37	NSYPLM86	1/13, 1/20, 3/5, 6/16, 6/17, 6/18	NSYPMA157	1/24, 6/40	NSYPMM3672	6/6
NSYPLAZT1053	1/23, 6/37	NSYPLM86B	6/18	NSYPMA1827	6/6	NSYPMM510	1/24, 6/40, 6/52
NSYPLAZT1054	1/23, 6/37	NSYPLM86P	6/18	NSYPMA2727	6/6	NSYPMM5454	6/6
NSYPLAZT1073	1/23, 6/37	NSYPLM86T	1/20, 6/16, 6/18	NSYPMA2736	6/6	NSYPMM5472	6/6
NSYPLAZT1074	1/23, 6/37	NSYPLM86TV	1/20, 6/16, 6/18	NSYPMA2754	6/6	NSYPMM55	1/24, 6/40, 6/52
NSYPLAZT12103	1/23, 6/37	NSYPLM86V	1/20, 6/16, 6/18	NSYPMA3636	6/6	NSYPMM710	1/24, 6/40, 6/52
NSYPLAZT12104	1/23, 6/37	NSYPLM86V	1/20, 6/16, 6/18	NSYPMA3654	6/6	NSYPMM712	1/24, 6/40, 6/52
NSYPLAZT12123	1/23, 6/37	NSYPLMEX108	1/20, 6/30, 6/31	NSYPMA3672	6/6	NSYPMM75	1/24, 6/40, 6/52
NSYPLAZT12124	1/23, 6/37	NSYPLMEX3025	1/20, 6/30	NSYPMA510	1/24, 6/40, 6/52	NSYPMM77	1/24, 6/40, 6/52
NSYPLAZT1253	1/23, 6/37	NSYPLMEX43	1/20, 6/30, 6/31	NSYPMA5454	6/6	NSYPMR105	1/24, 6/40, 6/52
NSYPLAZT1254	1/23, 6/37	NSYPLMEX54	1/20, 6/30, 6/31	NSYPMA5472	6/6	NSYPMR107	1/24, 6/40, 6/52
NSYPLAZT1273	1/23, 6/37	NSYPLMEX64	1/20, 6/30, 6/31	NSYPMA55	1/24, 6/40, 6/52	NSYPMR125	1/24, 6/40, 6/52
NSYPLAZT1274	1/23, 6/37	NSYPLMEX75	1/20, 6/30, 6/31	NSYPMA710	1/24, 6/40, 6/52	NSYPMR127	1/24, 6/40, 6/52
NSYPLAZT15103	1/23, 6/37	NSYPLMEX86	1/20, 6/30, 6/31	NSYPMA712	1/24, 6/40, 6/52	NSYPMR155	1/24, 6/40, 6/52
NSYPLAZT15104	1/23, 6/37	NSYPLS1827	1/9, 6/5	NSYPMA75	1/24, 6/40, 6/52	NSYPMR157	1/24, 6/40, 6/52
NSYPLAZT15123	1/23, 6/37	NSYPLS1827L	1/9, 6/5	NSYPMA77	1/24, 6/40, 6/52	NSYPMR1827	6/6
NSYPLAZT15124	1/23, 6/37	NSYPLS2727	1/9, 6/5	NSYPMA1010	1/24, 6/40, 6/52	NSYPMR2727	6/6
NSYPLAZT1554	1/23, 6/37	NSYPLS2727A	1/9, 6/5	NSYPMA1012	1/24, 6/40, 6/52	NSYPMR2736	6/6
NSYPLAZT1573	1/23, 6/37	NSYPLS2727AL	1/9, 6/5	NSYPMA105	1/24, 6/40, 6/52	NSYPMR2754	6/6
NSYPLAZT1574	1/23, 6/37	NSYPLS2727L	1/9, 6/5	NSYPMA107	1/24, 6/40, 6/52	NSYPMR3654	6/6
NSYPLAZT5103	1/23, 6/37	NSYPLS2736	1/9, 6/5	NSYPMA1210	1/24, 6/40, 6/52	NSYPMR3672	6/6
NSYPLAZT5104	1/23, 6/37	NSYPLS2736AL	1/9, 6/5	NSYPMA1212	1/24, 6/40, 6/52	NSYPMR5454	6/6
NSYPLAZT5123	1/23, 6/37	NSYPLS2736L	1/9, 6/5	NSYPMA125	1/24, 6/40, 6/52	NSYPMR5472	6/6
NSYPLAZT5124	1/23, 6/37	NSYPLS2754	1/9, 6/5	NSYPMA127	1/24, 6/40, 6/52	NSYPMR55	1/24, 6/40, 6/52
NSYPLAZT553	1/23, 6/37	NSYPLS2754A	1/9, 6/5	NSYPMA1510	1/24, 6/40, 6/52	NSYPMR57	1/24, 6/40, 6/52
NSYPLAZT554	1/23, 6/37	NSYPLS2754AL	1/9, 6/5	NSYPMA1512	1/24, 6/40, 6/52	NSYPMR75	1/24, 6/40, 6/52
NSYPLAZT573	1/23, 6/37	NSYPLS2754L	1/9, 6/5	NSYPMA155	1/24, 6/40, 6/52	NSYPMR77	1/24, 6/40, 6/52
NSYPLAZT574	1/23, 6/37	NSYPLS3636	1/9, 6/5	NSYPMA157	1/24, 6/40, 6/52	NSYPPS166	4/27
NSYPLAZT7103	1/23, 6/37	NSYPLS3636L	1/9, 6/5	NSYPMA1827	6/6	NSYPPS168	4/27
NSYPLAZT7104	1/23, 6/37	NSYPLS3654	1/9, 6/5	NSYPMA2727	6/6	NSYPPS184	4/27
NSYPLAZT7123	1/23, 6/37	NSYPLS3654A	1/9, 6/5	NSYPMA2736	6/6	NSYPPS185	4/27
NSYPLAZT7124	1/23, 6/37	NSYPLS3654AAL	1/9, 6/5	NSYPMA2754	6/6	NSYPPS186	4/27
NSYPLAZT753	1/23, 6/37	NSYPLS3672A	1/9, 6/5	NSYPMA3636	6/6	NSYPPS204	4/27
NSYPLAZT754	1/23, 6/37	NSYPLS3672AL	1/9, 6/5	NSYPMA3654	6/6	NSYPPS205	4/27
NSYPLAZT773	1/23, 6/37	NSYPLS3672AL	1/9, 6/5	NSYPMA3672	6/6	NSYPPS206	4/27
NSYPLAZT774	1/23, 6/37	NSYPLS5454	1/9, 6/5	NSYPMA510	1/24, 6/40, 6/52	NSYPPS208	4/27
NSYPLD114P	1/24, 6/40	NSYPLS5454A	1/9, 6/5	NSYPMA5454	6/6	NSYPPS226	4/27
NSYPLM108	1/13, 1/20, 3/5, 6/16, 6/17, 6/18	NSYPLS5454AL	1/9, 6/5	NSYPMA5472	6/6	NSYPPS228	4/27
NSYPLM108B	6/18	NSYPLS5454L	1/9, 6/5	NSYPMA55	1/24, 6/40, 6/52	NSYPPS27	6/10
NSYPLM108T	1/20, 6/16, 6/18	NSYPLS5472A	1/9, 6/5	NSYPMA710	1/24, 6/40, 6/52	NSYPPTR55	6/49
NSYPLM3025	1/20, 6/15, 6/18	NSYPLS5472AL	1/9, 6/5	NSYPMA712	1/24, 6/40, 6/52	NSYPPTR57	6/49
NSYPLM3025B	6/18	NSYPLSC1827	1/9, 6/5	NSYPMA75	1/24, 6/40, 6/52	NSYPPTR77	6/49
NSYPLM3025P	6/18	NSYPLSC2727	1/9, 6/5	NSYPMA77	1/24, 6/40, 6/52	NSYPS2C27	6/9
NSYPLM3025T	1/20, 6/15, 6/18	NSYPLSC2727A	1/9, 6/5	NSYPMB1010	1/24, 6/40, 6/52	NSYPS4C27	6/9
NSYPLM32	1/13, 1/20, 3/5, 6/14, 6/18	NSYPLSC2736	1/9, 6/5	NSYPMB1012	1/24, 6/40, 6/52	NSYPSA4	4/90, 8/46
NSYPLM32B	6/18	NSYPLSC2736A	1/9, 6/5	NSYPMB105	1/24, 6/40, 6/52	NSYPT23	6/54
NSYPLM32P	6/18	NSYPLSC2754	1/9, 6/5	NSYPMB107	1/24, 6/40, 6/52	NSYPT232P	6/54
NSYPLM32T	1/20, 6/14, 6/18	NSYPLSC2754A	1/9, 6/5	NSYPMB1210	1/24, 6/40, 6/52	NSYPT24	6/54
NSYPLM43	1/13, 1/20, 3/5, 6/16, 6/17, 6/18	NSYPLSC3636	1/9, 6/5	NSYPMB1212	1/24, 6/40, 6/52	NSYPT42P	6/54
NSYPLM43B	6/18	NSYPLSC3654	1/9, 6/5	NSYPMB125	1/24, 6/40, 6/52	NSYPUNX	5/25
NSYPLM43P	6/18	NSYPLSC3654A	1/9, 6/5	NSYPMB127	1/24, 6/40, 6/52	NSYRC12	4/102
NSYPLM43T	1/20, 6/16, 6/18	NSYPLSC3672A	1/9, 6/5	NSYPMB1510	1/24, 6/40, 6/52	NSYRC14	4/102
NSYPLM43TV	1/20, 6/16, 6/18	NSYPLSC3672AL	1/9, 6/5	NSYPMB1512	1/24, 6/40, 6/52	NSYRC16	4/102
NSYPLM43V	1/20, 6/16, 6/18	NSYPLSC5454	1/9, 6/5	NSYPMB155	1/24, 6/40, 6/52	NSYRC18	4/102
NSYPLM54	1/13, 1/20, 3/5, 6/16, 6/17, 6/18	NSYPLSC5454A	1/9, 6/5	NSYPMB157	1/24, 6/40, 6/52	NSYRC1U	4/111
NSYPLM54B	6/18	NSYPLSC5472A	1/9, 6/5	NSYPMB1827	6/6	NSYRC20	4/102
NSYPLM54P	6/18	NSYPLSP1827	1/9, 6/5	NSYPMB1827	6/6	NSYRC22	4/102
		NSYPLSP2727	1/9, 6/5	NSYPMB2727	6/6	NSYRCDFIX	4/112
		NSYPLSP2736	1/9, 6/5	NSYPMB2736	6/6		
				NSYPMB2754	6/6		
				NSYPMB3636	6/6		
				NSYPMB3654	6/6		
				NSYPMB3672	6/6		
				NSYPMB510	1/24, 6/40, 6/52		
				NSYPMB5454	6/6		
				NSYPMB5472	6/6		
				NSYPMB55	1/24, 6/40, 6/52		
				NSYPMB710	1/24, 6/40, 6/52		
				NSYPMB712	1/24, 6/40, 6/52		
				NSYPMB75	1/24, 6/40, 6/52		
				NSYPMB77	1/24, 6/40, 6/52		
				NSYPMD1510	1/8, 2/15		
				NSYPMD2015	1/8, 2/15, 2/17		
				NSYPMD2520	1/8, 2/15, 2/17		
				NSYPMD3025	1/8, 2/15, 2/17		
				NSYPMD3530	1/8, 2/15, 2/17		
				NSYPLMA103	6/55		
				NSYPLMA104	6/55		
				NSYPLMA123	6/55		
				NSYPLMA124	6/55		
				NSYPLMA53	6/55		
				NSYPLMA54	6/55		
				NSYPLMA73	6/55		
				NSYPLMA74	6/55		
				NSYPMMA1010	1/24, 6/40, 6/52		
				NSYPMMA1012	1/24, 6/40, 6/52		
				NSYPMMA105	1/24, 6/40, 6/52		

# Index of catalog numbers

Catalog Number	Page	Catalog Number	Page	Catalog Number	Page	Catalog Number	Page
NSYRCDR12	4/113	NSYS3CM304020	3/70, 3/71, 3/73	NSYS3HF10830P	3/38	NSYSB90	8/9
NSYRCDR18	4/113	NSYS3CM404020	3/70, 3/71, 3/73	NSYS3HF12830P	3/38	NSYSBPLA	6/57
NSYRCINT	4/114	NSYS3CM406025	3/70, 3/71, 3/73	NSYS3HF4320P	3/38	NSYSBS10105	1/8, 2/3, 2/4, 2/5
NSYRCK19KIT	4/102	NSYS3CM505025	3/70, 3/71, 3/73	NSYS3HF4620P	3/38	NSYSBS13136	1/8, 2/3, 2/4, 2/5
NSYRCK24	4/101	NSYS3CM606020	3/70, 3/71, 3/73	NSYS3HF5420P	3/38	NSYSBS16126	1/8, 2/3, 2/4, 2/5
NSYRCK29	4/101	NSYS3CM608030	3/70, 3/71, 3/73	NSYS3HF6420P	3/38	NSYSBS16126S	1/8, 2/3, 2/4, 2/5
NSYRCK33	4/101	NSYS3CM806030	3/70, 3/71, 3/73	NSYS3HF6625P	3/38	NSYSBS16166	1/8, 2/3, 2/4, 2/5
NSYRCK38	4/101	NSYS3D101030D	3/19	NSYS3HF7525P	3/38	NSYSBS18139F	1/8, 2/3, 2/8
NSYRCK42	4/101	NSYS3D10625	1/12, 3/4, 3/19	NSYS3HF8630P	3/38	NSYSBS18139FT	2/8
NSYRCK47	4/101	NSYS3D10830	3/19	NSYS3X101030	1/18, 5/8	NSYSBS18139K	2/8
NSYRCKP12	4/103	NSYS3D141030D	3/19	NSYS3X101030H	1/18, 5/8	NSYSBS18139KT	2/8
NSYRCKP17	4/103	NSYS3D3215	3/19	NSYS3X10830	1/12, 1/18, 3/4, 5/8	NSYSBS18139KTH	2/8
NSYRCKP21	4/103	NSYS3D5320	3/19	NSYS3X10830H	1/13, 1/18, 3/5, 5/8	NSYSBS18169F	1/8, 2/3, 2/8
NSYRCKP26	4/103	NSYS3D5420	3/19	NSYS3X10830T	1/18, 5/8	NSYSBS18169FT	2/8
NSYRCKP4	4/103	NSYS3D6425	3/19	NSYS3X121030	1/18, 5/8	NSYSBS18169K	2/8
NSYRCKP8	4/103	NSYS3D6620	3/19	NSYS3X121030H	1/18, 5/8	NSYSBS18169KTH	2/8
NSYRCKS6	4/102	NSYS3D8630	3/19	NSYS3X12830	1/12, 1/18, 3/4, 5/8	NSYSBS18169KT	2/8
NSYRCKS8	4/102	NSYS3DC101030	1/12, 3/4, 3/14, 3/31	NSYS3X12830H	1/13, 1/18, 3/5, 5/8	NSYSBS18169KTH	2/8
NSYRCLOCK	4/114	NSYS3DC10625	3/14, 3/31	NSYS3X302515	1/18, 5/8	NSYSBS20209	1/8, 2/3, 2/4, 2/5
NSYRCSUP15	4/112	NSYS3DC10825	1/12, 3/4, 3/14, 3/31	NSYS3X302515H	1/18, 5/8	NSYSBS20209S	1/8, 2/3, 2/4, 2/5
NSYRCSUP25	4/112	NSYS3DC10830	1/12, 3/4, 3/14, 3/31	NSYS3X3215	1/12, 1/18, 3/4, 5/8	NSYSBS232112F	1/8, 2/3, 2/8
NSYRE26	4/58, 7/27	NSYS3DC10840	1/12, 3/4, 3/14, 3/31	NSYS3X3215H	1/13, 1/18, 3/5, 5/8	NSYSBS232112FT	2/8
NSYRE60	4/58, 7/27	NSYS3DC121030	1/12, 3/4, 3/14, 3/31	NSYS3X3315	1/12, 1/18, 3/4, 5/8	NSYSBS232112K	2/8
NSYRETPLA	6/48	NSYS3DC12830	1/12, 3/4, 3/14, 3/31	NSYS3X3315H	1/13, 1/18, 3/5, 5/8	NSYSBS232112KTH	2/8
NSYRETPLAU	6/48	NSYS3DC12840	1/12, 3/4, 3/14, 3/31	NSYS3X4315	1/12, 1/18, 3/4, 5/8	NSYSBS252510	1/8, 2/3, 2/4, 2/5
NSYRSUP10	8/42	NSYS3DC12840	1/12, 3/4, 3/14, 3/31	NSYS3X4315H	1/13, 1/18, 3/5, 5/8	NSYSBS252510S	1/8, 2/3, 2/4, 2/5
NSYRSUP12	8/42	NSYS3DC3215	1/12, 3/4, 3/14, 3/31	NSYS3X4315H	1/13, 1/18, 3/5, 5/8	NSYSBS302011R	1/8, 2/3, 2/4, 2/5
NSYRSUP6	8/42	NSYS3DC3315	1/12, 3/4, 3/14, 3/31	NSYS3X4320	1/12, 1/18, 3/4, 5/8	NSYSBS302015	1/8, 2/3, 2/6
NSYRSUP7	8/42	NSYS3DC3315	1/12, 3/4, 3/14, 3/31	NSYS3X4320H	1/13, 1/18, 3/5, 5/8	NSYSBS303010	1/8, 2/3, 2/4, 2/5
NSYRSW27	4/9, 4/104	NSYS3DC3320	1/12, 3/4, 3/14, 3/31	NSYS3X4320T	1/18, 5/8	NSYSBS303010S	1/8, 2/3, 2/4, 2/5
NSYRSW31	4/9, 4/104	NSYS3DC4315	1/12, 3/4, 3/14, 3/31	NSYS3X4420	1/12, 1/18, 3/4, 5/8	NSYSBS303015	1/8, 2/3, 2/6
NSYRSW36	4/9, 4/104	NSYS3DC4320	1/12, 3/4, 3/14, 3/31	NSYS3X4420H	1/13, 1/18, 3/5, 5/8	NSYSBS402011R	1/8, 2/3, 2/4, 2/5
NSYRSW40	4/9, 4/104	NSYS3DC4320	1/12, 3/4, 3/14, 3/31	NSYS3X4620	1/18, 5/8	NSYSBS403015	1/8, 2/3, 2/6
NSYRSW45	4/104	NSYS3DC4420	1/12, 3/4, 3/14, 3/31	NSYS3X4620H	1/18, 5/8	NSYSBS404011	1/8, 2/3, 2/4, 2/5
NSYRSW627	4/106	NSYS3DC5420	1/12, 3/4, 3/14, 3/31	NSYS3X5420	1/12, 1/18, 3/4, 5/8	NSYSBS404011S	1/8, 2/3, 2/4, 2/5
NSYRSW631	4/106	NSYS3DC5420	1/12, 3/4, 3/14, 3/31	NSYS3X5420H	1/13, 1/18, 3/5, 5/8	NSYSBS502011R	1/8, 2/3, 2/4, 2/5
NSYRSW636	4/106	NSYS3DC5425	1/12, 3/4, 3/14, 3/31	NSYS3X6420	1/18, 5/8	NSYSBS503011R	1/8, 2/3, 2/4, 2/5
NSYRSW640	4/106	NSYS3DC5520	1/12, 3/4, 3/14, 3/31	NSYS3X6420H	1/13, 1/18, 3/5, 5/8	NSYSBS503020	1/8, 2/3, 2/6
NSYRSW645	4/106	NSYS3DC5525	1/12, 3/4, 3/14, 3/31	NSYS3X6420T	1/18, 5/8	NSYSBS602011R	1/8, 2/3, 2/4, 2/5
NSYRSWC27	4/9, 4/104	NSYS3DC6420	1/12, 3/4, 3/14, 3/31	NSYS3X6625	1/12, 1/18, 3/4, 5/8	NSYSBS603011R	1/8, 2/3, 2/4, 2/5
NSYRSWC31	4/9, 4/104	NSYS3DC6425	1/12, 3/4, 3/14, 3/31	NSYS3X6625H	1/13, 1/18, 3/5, 5/8	NSYSBS884	1/8, 2/3, 2/4, 2/5
NSYRSWC36	4/9, 4/104	NSYS3DC6620	1/12, 3/4, 3/14, 3/31	NSYS3X7525	1/12, 1/18, 3/4, 5/8	NSYSBTB	8/16
NSYRSWC40	4/9, 4/104	NSYS3DC6625	1/12, 3/4, 3/14, 3/31	NSYS3X7525H	1/13, 1/18, 3/5, 5/8	NSYSC1030	4/57
NSYRSWC45	4/104	NSYS3DC6630	1/12, 3/4, 3/14, 3/31	NSYS3X7525T	1/18, 5/8	NSYSC1040	4/57
NSYRSWH180	4/105	NSYS3DC8620	1/12, 3/4, 3/14, 3/31	NSYS3X8625	1/12, 1/18, 3/4, 5/8	NSYSC1050	4/57
NSYRSWP12	4/109	NSYS3DC8625	1/12, 3/4, 3/14, 3/31	NSYS3X8625H	1/13, 1/18, 3/5, 5/8	NSYSC1060	4/57
NSYRSWP15	4/109	NSYS3DC8630	1/12, 3/4, 3/14, 3/31	NSYS3X8625T	1/18, 5/8	NSYSC1230	4/57
NSYRSWP18	4/109	NSYS3DC8640	1/12, 3/4, 3/14, 3/31	NSYS3X8825	1/12, 1/18, 3/4, 5/8	NSYSC1240	4/57
NSYRSWP21	4/109	NSYS3DC8825	1/12, 3/4, 3/14, 3/31	NSYS3X8830	1/12, 1/18, 3/4, 5/8	NSYSC1250	4/57
NSYRSWP26	4/109	NSYS3DC8830	1/12, 3/4, 3/14, 3/31	NSYS3X8830H	1/13, 1/18, 3/5, 5/8	NSYSC1260	4/57
NSYRSWP9	4/109	NSYS3DCD101030	3/36	NSYS3X8830H	1/13, 1/18, 3/5, 5/8	NSYSC1640	4/57
NSYRSWS6	4/107	NSYS3DCD10620	3/36	NSYS3X8830H	1/13, 1/18, 3/5, 5/8	NSYSC1650	4/57
NSYRSWS8	4/107	NSYS3DCD10820	3/36	NSYS3X8830H	1/13, 1/18, 3/5, 5/8	NSYSC1660	4/57
NSYRSWSP6	4/110	NSYS3DCD121030	3/36	NSYS3X8830H	1/13, 1/18, 3/5, 5/8	NSYSC1850	4/57
NSYRSWSP8	4/110	NSYS3DCD5520	3/36	NSYS3X8830H	1/13, 1/18, 3/5, 5/8	NSYSC1860	4/57
NSYS10M4H	8/8, 8/65, 8/66	NSYS3DCD6620	3/36	NSYS3X8830H	1/13, 1/18, 3/5, 5/8	NSYSC2050	4/57
NSYS12M5H	8/8, 8/65, 8/66	NSYS3DCD7520	3/36	NSYS3X8830H	1/13, 1/18, 3/5, 5/8	NSYSC2060	4/57
NSYS12M6H	1/12, 3/4, 8/8, 8/23, 8/24, 8/39, 8/65, 8/66	NSYS3DCD8620	3/36	NSYS3X8830H	1/13, 1/18, 3/5, 5/8	NSYSC2450	4/57
NSYS13M5HS	1/12, 3/4, 3/15, 3/37, 8/65	NSYS3DCD8620	3/36	NSYS3X8830H	1/13, 1/18, 3/5, 5/8	NSYSC2460	4/57
NSYS16M4H	8/8, 8/65, 8/66	NSYS3DCD8640	1/12, 3/4, 3/14, 3/31	NSYS3X8830H	1/13, 1/18, 3/5, 5/8	NSYSC2600	4/57
NSYS16M5HS	8/20, 8/65	NSYS3DCD8825	1/12, 3/4, 3/14, 3/31	NSYS3X8830H	1/13, 1/18, 3/5, 5/8	NSYSC630	4/57
NSYS16M6H	1/12, 3/4, 8/23, 8/24, 8/39, 8/65, 8/66	NSYS3DCD8830	1/12, 3/4, 3/14, 3/31	NSYS3X8830H	1/13, 1/18, 3/5, 5/8	NSYSC640	4/57
NSYS16M6HS	8/65	NSYS3DCD101030	3/36	NSYS3X8830H	1/13, 1/18, 3/5, 5/8	NSYSC650	4/57
NSYS16M8H	8/23, 8/24, 8/39, 8/66	NSYS3DCD10620	3/36	NSYS3X8830H	1/13, 1/18, 3/5, 5/8		
NSYS18M5H	8/65, 8/66	NSYS3DCD10820	3/36	NSYS3X8830H	1/13, 1/18, 3/5, 5/8		
NSYS18M6H	1/12, 3/4, 8/8, 8/23, 8/24, 8/39, 8/65, 8/66	NSYS3DCD121030	3/36	NSYS3X8830H	1/13, 1/18, 3/5, 5/8		
NSYS20M8H	8/23, 8/24, 8/39, 8/66	NSYS3DCD5520	3/36	NSYS3X8830H	1/13, 1/18, 3/5, 5/8		
NSYS3CM303020	3/70, 3/71, 3/73	NSYS3DCD6620	3/36	NSYS3X8830H	1/13, 1/18, 3/5, 5/8		
		NSYS3DCD7520	3/36	NSYS3X8830H	1/13, 1/18, 3/5, 5/8		
		NSYS3DCD8620	3/36	NSYS3X8830H	1/13, 1/18, 3/5, 5/8		



# Index of catalog numbers

Catalog Number	Page	Catalog Number	Page	Catalog Number	Page	Catalog Number	Page
NSYSC660	4/57	NSYSF16660	1/14, 4/18	NSYSF2012802DP	1/14, 4/18	NSYSFBKSH	4/32
NSYSC830	4/57	NSYSF16660P	1/14, 4/18	NSYSF2016402D	1/14, 4/18	NSYSFC1	8/82
NSYSC840	4/57	NSYSF16660PC	4/86	NSYSF2016402DP	1/14, 4/18	NSYSFC104	1/16, 1/17, 4/22, 4/23
NSYSC850	4/57	NSYSF16680	1/14, 4/18	NSYSF2016502D	1/14, 4/18	NSYSFC105	1/16, 1/17, 4/22, 4/23
NSYSC860	4/57	NSYSF16680P	1/14, 4/18	NSYSF2016502DP	1/14, 4/18	NSYSFC106	1/16, 1/17, 4/22, 4/23
NSYSCCDINLG140	8/81	NSYSF16680PC	4/86	NSYSF2016602D	1/14, 4/18	NSYSFC108	1/16, 1/17, 4/22, 4/23
NSYSCCDINLG75	8/81	NSYSF16860	1/14, 4/18	NSYSF2016602DP	1/14, 4/18	NSYSFC124	1/16, 1/17, 4/22, 4/23
NSYSCR200	8/55	NSYSF16860P	1/14, 4/18	NSYSF20350	1/14, 4/18	NSYSFC125	1/16, 1/17, 4/22, 4/23
NSYSCX10030	5/24	NSYSF16880	1/14, 4/18	NSYSF20360	1/14, 4/18	NSYSFC126	1/16, 1/17, 4/22, 4/23
NSYSCX10040	5/24	NSYSF16880P	1/14, 4/18	NSYSF20380	4/18	NSYSFC128	1/16, 1/17, 4/22, 4/23
NSYSCX10060	5/24	NSYSF181040	1/14, 4/18	NSYSF20440	1/14, 4/18	NSYSFC164	1/17, 4/23
NSYSCX12040	5/24	NSYSF1810402D	1/14, 4/18	NSYSF20450	1/14, 4/18	NSYSFC165	1/17, 4/23
NSYSCX12050	5/24	NSYSF1810402DP	1/14, 4/18	NSYSF20460	1/14, 4/18	NSYSFC166	1/17, 4/23
NSYSCX12060	5/24	NSYSF181040P	1/14, 4/18	NSYSF20480	1/14, 4/18	NSYSFC35	1/17, 4/23
NSYSCX16040	5/24	NSYSF181050	1/14, 4/18	NSYSF20640	1/14, 4/18	NSYSFC36	1/17, 4/23
NSYSCX16060	5/24	NSYSF181050P	1/14, 4/18	NSYSF20640P	1/14, 4/18	NSYSFC44	1/16, 1/17, 4/22, 4/23
NSYSCX6040	5/24	NSYSF181060	1/14, 4/18	NSYSF20640T	1/14, 4/18	NSYSFC45	1/16, 1/17, 4/22, 4/23
NSYSCX6050	5/24	NSYSF1810602D	1/14, 4/18	NSYSF20650	1/14, 4/18	NSYSFC46	1/16, 1/17, 4/22, 4/23
NSYSCX8040	5/24	NSYSF1810602DP	1/14, 4/18	NSYSF20650P	1/14, 4/18	NSYSFC48	1/16, 1/17, 4/22, 4/23
NSYSCX8050	5/24	NSYSF181060P	1/14, 4/18	NSYSF20650T	1/14, 4/18	NSYSFC64	1/16, 1/17, 4/22, 4/23
NSYSCX8060	5/24	NSYSF1812402D	1/14, 4/18	NSYSF20660	1/14, 4/18	NSYSFC65	1/16, 1/17, 4/22, 4/23
NSYSDCR10	8/29	NSYSF1812402DP	1/14, 4/18	NSYSF20660E	4/91	NSYSFC66	1/16, 1/17, 4/22, 4/23
NSYSDCR200	1/11, 1/18, 3/15, 3/37, 3/51, 5/14, 8/7	NSYSF1812502D	1/14, 4/18	NSYSF20660M	4/73	NSYSFC68	1/16, 1/17, 4/22, 4/23
NSYSDCR250	1/11, 1/18, 3/15, 3/51, 5/14, 8/7	NSYSF1812502DP	1/14, 4/18	NSYSF20680	1/14, 4/18	NSYSFC84	1/16, 1/17, 4/22, 4/23
NSYSDCR300	1/11, 1/18, 3/15, 3/51, 5/14, 8/7	NSYSF1812602D	1/14, 4/18	NSYSF20680E	4/91	NSYSFC85	1/16, 1/17, 4/22, 4/23
NSYSDCR400	3/51	NSYSF1812602DP	1/14, 4/18	NSYSF20680M	4/73	NSYSFC86	1/16, 1/17, 4/22, 4/23
NSYSDCR4	8/29	NSYSF18440	1/14, 4/18	NSYSF208100E	4/91	NSYSFC88	1/16, 1/17, 4/22, 4/23
NSYSDCR400	1/11, 3/15, 8/7	NSYSF18450	1/14, 4/18	NSYSF20840	1/14, 4/18	NSYSFD126	4/22, 4/65
NSYSDCR5	8/29	NSYSF18460	1/14, 4/18	NSYSF20840P	1/14, 4/18	NSYSFD126T	1/16, 4/22
NSYSDCR6	8/29	NSYSF18640	1/14, 4/18	NSYSF20840T	1/14, 4/18	NSYSFD128	4/22, 4/65
NSYSDCR8	8/29	NSYSF18640P	1/14, 4/18	NSYSF20840T	1/14, 4/18	NSYSFD128T	1/16, 4/22
NSYSDCR10	4/66, 8/81	NSYSF18650	1/14, 4/18	NSYSF20850	1/14, 4/18	NSYSFD146	4/22, 4/65
NSYSDGCR5	4/66, 8/81	NSYSF18650P	1/14, 4/18	NSYSF20850P	1/14, 4/18	NSYSFD146T	1/16, 4/22
NSYSDGCR6	4/66, 8/81	NSYSF18650T	1/14, 4/18	NSYSF20850T	1/14, 4/18	NSYSFD148	4/22, 4/65
NSYSDGCR8	4/66, 8/81	NSYSF18660	1/14, 4/18	NSYSF20860	1/14, 4/18	NSYSFD148T	1/16, 4/22
NSYSDP6M	8/94	NSYSF18660P	1/14, 4/18	NSYSF208602D	1/14, 4/18	NSYSFD166	4/22, 4/65
NSYSDP8M	8/94	NSYSF18660PC	4/86	NSYSF208602DP	1/14, 4/18	NSYSFD166T	1/16, 4/22
NSYSDR100	8/48	NSYSF18680T	1/14, 4/18	NSYSF20860E	4/91	NSYSFD168	4/22, 4/65
NSYSDR100A	8/49	NSYSF18840	1/14, 4/18	NSYSF20860M	4/73	NSYSFD168T	1/16, 4/22
NSYSDR120	8/48	NSYSF18840P	1/14, 4/18	NSYSF20860P	1/14, 4/18	NSYSFD1810T	4/22
NSYSDR200	8/50	NSYSF18840T	1/14, 4/18	NSYSF20860T	1/14, 4/18	NSYSFD18102D	4/22
NSYSDR200B	8/50	NSYSF18850	1/14, 4/18	NSYSF20880	1/14, 4/18	NSYSFD18122D	4/22
NSYSDR200BD	8/50	NSYSF18850P	1/14, 4/18	NSYSF20880E	4/91	NSYSFD18122DT	1/16, 4/22
NSYSDR200D	8/50	NSYSF18850T	1/14, 4/18	NSYSF20880M	4/73	NSYSFD184	4/22, 4/65
NSYSDR30B	8/49	NSYSF18860	1/14, 4/18	NSYSF20880P	1/14, 4/18	NSYSFD185	4/65
NSYSDR40B	8/49	NSYSF188602D	1/14, 4/18	NSYSF20880T	1/14, 4/18	NSYSFD186	4/22, 4/65
NSYSDR50A	8/49	NSYSF188602DP	1/14, 4/18	NSYSF221060	1/14, 4/18	NSYSFD186T	1/16, 4/22
NSYSDR60	8/48	NSYSF18860P	1/14, 4/18	NSYSF221060P	1/14, 4/18	NSYSFD188	4/22, 4/65
NSYSDR60A	8/49	NSYSF18860T	1/14, 4/18	NSYSF2212602D	1/14, 4/18	NSYSFD1882D	4/22
NSYSDR80	8/48	NSYSF201040	1/14, 4/18	NSYSF2212602DP	1/14, 4/18	NSYSFD188T	1/16, 4/22
NSYSDR80A	8/49	NSYSF2010402D	1/14, 4/18	NSYSF2212802D	1/14, 4/18	NSYSFD2010	1/17, 4/23
NSYSDRSDCR300	8/7	NSYSF2010402DP	1/14, 4/18	NSYSF2212802DP	1/14, 4/18	NSYSFD20102D	1/17, 4/23
NSYSDRSDCR400	8/7	NSYSF201040P	1/14, 4/18	NSYSF222460	1/14, 4/18	NSYSFD2010T	1/17, 4/23
NSYSDT5	8/95	NSYSF201040T	1/14, 4/18	NSYSF226100E	4/91	NSYSFD20122D	1/17, 4/23
NSYSDT6	8/95	NSYSF201050	1/14, 4/18	NSYSF22660	1/14, 4/18	NSYSFD20122DT	1/17, 4/23
NSYSDT8	8/95	NSYSF2010502D	1/14, 4/18	NSYSF22660E	4/91	NSYSFD20122D	1/17, 4/23
NSYSF12640	1/14, 4/18	NSYSF2010502DP	1/14, 4/18	NSYSF22680	1/14, 4/18	NSYSFD201262D	1/17, 4/23
NSYSF12640P	1/14, 4/18	NSYSF201050P	1/14, 4/18	NSYSF22680E	4/91	NSYSFD20122DT	1/17, 4/23
NSYSF12660	1/14, 4/18	NSYSF201050T	1/14, 4/18	NSYSF22680P	1/14, 4/18	NSYSFD20122D	1/17, 4/23
NSYSF12660E	4/91	NSYSF201060	1/14, 4/18	NSYSF22680T	1/14, 4/18	NSYSFD20122D	1/17, 4/23
NSYSF12660P	1/14, 4/18	NSYSF2010602D	1/14, 4/18	NSYSF228100E	4/91	NSYSFD20122D	1/17, 4/23
NSYSF12680E	4/91	NSYSF2010602DP	1/14, 4/18	NSYSF22860	1/14, 4/18	NSYSFD20122D	1/17, 4/23
NSYSF12840	1/14, 4/18	NSYSF201060P	1/14, 4/18	NSYSF22860E	4/91	NSYSFD20122D	1/17, 4/23
NSYSF12840P	1/14, 4/18	NSYSF201060T	1/14, 4/18	NSYSF22860P	1/14, 4/18	NSYSFD20122D	1/17, 4/23
NSYSF12860	1/14, 4/18	NSYSF201080	1/14, 4/18	NSYSF22880	1/14, 4/18	NSYSFD20122D	1/17, 4/23
NSYSF12860E	4/91	NSYSF201080P	1/14, 4/18	NSYSF22880E	4/91	NSYSFD20122D	1/17, 4/23
NSYSF12860P	1/14, 4/18	NSYSF2012402D	1/14, 4/18	NSYSF22880P	1/14, 4/18	NSYSFD20122D	1/17, 4/23
NSYSF12880E	4/91	NSYSF2012402DP	1/14, 4/18	NSYSF22880T	1/14, 4/18	NSYSFD20122D	1/17, 4/23
NSYSF14640	1/14, 4/18	NSYSF2012502D	1/14, 4/18	NSYSFBK	4/29, 4/30	NSYSFD20122D	1/17, 4/23
NSYSF14640P	1/14, 4/18	NSYSF2012502DP	1/14, 4/18	NSYSFBK19	1/19, 4/29, 4/30, 5/22, 5/24	NSYSFD203	1/17, 4/23
NSYSF14840	1/14, 4/18	NSYSF2012602D	1/14, 4/18	NSYSFBKE	4/29, 4/32	NSYSFD204	1/17, 4/23, 4/65
NSYSF14840P	1/14, 4/18	NSYSF2012602DP	1/14, 4/18	NSYSFBKF	4/29, 4/31	NSYSFD205	4/65
		NSYSF2012802D	1/14, 4/18	NSYSFBKR	4/29, 4/31	NSYSFD206	1/17, 4/23, 4/65

# Index of catalog numbers

Catalog Number	Page	Catalog Number	Page	Catalog Number	Page	Catalog Number	Page
NSYSFD206T	1/17, 4/23	NSYSLCR40	8/38	NSYSM18860P	1/15, 4/8	NSYSMPSE8	8/18
NSYSFD208	1/17, 4/23, 4/65	NSYSLCR50	8/38	NSYSM2010402D	1/15, 4/8	NSYSMVR12	1/15, 8/33
NSYSFD2082D	1/17, 4/23	NSYSLCR60	8/38	NSYSM2010402DP	1/15, 4/8	NSYSMVR14	1/15, 8/33
NSYSFD208T	1/17, 4/23	NSYSLCR80	8/38	NSYSM2010502D	1/15, 4/8	NSYSMVR16	1/15, 8/33
NSYSFD2210	1/17, 4/23	NSYSM10M5HP	8/88	NSYSM2010502DP	1/15, 4/8	NSYSMVR18	1/15, 8/33
NSYSFD2210T	1/17, 4/23	NSYSM1210302D	1/15, 4/8	NSYSM2012402D	1/15, 4/8	NSYSMVR20	1/15, 8/33
NSYSFD22122D	1/17, 4/23	NSYSM1210302DP	1/15, 4/8	NSYSM2012402DP	1/15, 4/8	NSYSMWFIX	4/63
NSYSFD22122DT	1/17, 4/23	NSYSM1212402D	1/15, 4/8	NSYSM2012502D	1/15, 4/8	NSYSMX141030	1/19
NSYSFD224	1/17, 4/23, 4/65	NSYSM1212402DP	1/15, 4/8	NSYSM2012502DP	1/15, 4/8	NSYSMX16660PC	5/18
NSYSFD225	4/65	NSYSM12830	1/15, 4/8	NSYSM2012602D	1/15, 4/8	NSYSMX16840	1/19
NSYSFD226	1/17, 4/23, 4/65	NSYSM12830P	1/15, 4/8	NSYSM2012602DP	1/15, 4/8	NSYSMX181240	1/19
NSYSFD226T	1/17, 4/23	NSYSM1410402D	1/15, 4/8	NSYSM2016402D	1/15, 4/8	NSYSMX181640	1/19
NSYSFD228	1/17, 4/23, 4/65	NSYSM1410402DP	1/15, 4/8	NSYSM2016402DP	1/15, 4/8	NSYSMX18640	1/19
NSYSFD228T	1/17, 4/23	NSYSM1412402D	1/15, 4/8	NSYSM2016502D	1/15, 4/8	NSYSMX18680PC	5/18
NSYSFEB	4/54	NSYSM1412402DP	1/15, 4/8	NSYSM2016502DP	1/15, 4/8	NSYSMX18840	1/19
NSYSFELB	4/54	NSYSM14630	1/15, 4/8	NSYSM2016602D	1/15, 4/8	NSYSMX201040	1/19
NSYSFHD3	4/69	NSYSM14630P	1/15, 4/8	NSYSM2016602DP	1/15, 4/8	NSYSMX201250	1/19
NSYSFHD3	4/70	NSYSM14640	1/15, 4/8	NSYSM20630	1/15, 4/8	NSYSMX201660	1/19
NSYSFHS1	4/67	NSYSM14640P	1/15, 4/8	NSYSM20630P	1/15, 4/8	NSYSMX20850	1/19
NSYSFLOCK24	4/72	NSYSM14830	1/15, 4/8	NSYSM20640	1/15, 4/8	NSYSNLPLA	6/49, 8/97
NSYSFLOCKDB5	4/72	NSYSM14830P	1/15, 4/8	NSYSM20640P	1/15, 4/8	NSYSNM4A	8/65
NSYSFLOCKS6	4/72	NSYSM14840	1/15, 4/8	NSYSM20640T	1/15, 4/8	NSYSNM5A	8/65
NSYSFLOCKS7	4/72	NSYSM14840P	1/15, 4/8	NSYSM20650	1/15, 4/8	NSYSNM6	8/24, 8/66
NSYSFLOCKS8	4/72	NSYSM14840T	1/15, 4/8	NSYSM20650P	1/15, 4/8	NSYSNM6A	8/65
NSYSFLOCKSG8	4/72	NSYSM1610302D	1/15, 4/8	NSYSM20830	1/15, 4/8	NSYSNM8	8/24, 8/66
NSYSFLOCKT6	4/72	NSYSM1610302DP	1/15, 4/8	NSYSM20830P	1/15, 4/8	NSYSNSM6	8/66
NSYSFLOCKT7	4/72	NSYSM1610402D	1/15, 4/8	NSYSM20830T	1/15, 4/8	NSYSNSM8	8/66
NSYSFLOCKT8	4/72	NSYSM1610402DP	1/15, 4/8	NSYSM20840	1/15, 4/8	NSYSPB6100	4/42
NSYSFLR105	4/59	NSYSM1612302D	1/15, 4/8	NSYSM20840P	1/15, 4/8	NSYSPB8100	4/42
NSYSFLR106	4/59	NSYSM1612302DP	1/15, 4/8	NSYSM20840T	1/15, 4/8	NSYSPC	8/88
NSYSFLR65	4/59	NSYSM1612402D	1/15, 4/8	NSYSM20850	1/15, 4/8	NSYSPC4100	4/43
NSYSFLR66	4/59	NSYSM1612402DP	1/15, 4/8	NSYSM20850P	1/15, 4/8	NSYSPC5100	4/43
NSYSFLR85	4/59	NSYSM16630	1/15, 4/8	NSYSM20850T	1/15, 4/8	NSYSPC6100	4/43
NSYSFLR86	4/59	NSYSM16630P	1/15, 4/8	NSYSM20860	1/15, 4/8	NSYSPC8100	4/43
NSYSFMDR	8/96	NSYSM16640	1/15, 4/8	NSYSM20860P	1/15, 4/8	NSYSPCP	1/12, 3/4, 8/87
NSYSFNDR	8/96	NSYSM16640P	1/15, 4/8	NSYSM20860T	1/15, 4/8	NSYSPCR	4/45
NSYSFP300	1/21, 6/19, 6/21	NSYSM16640T	1/15, 4/8	NSYSMBCE10	4/51	NSYSPF10100	1/15, 3/53, 4/8, 4/19, 4/40
NSYSFP400	1/21, 6/19, 6/21	NSYSM16830	1/15, 4/8	NSYSMBCE6	4/51	NSYSPF10200	1/15, 3/53, 4/9, 4/19, 4/40, 4/92
NSYSFP500	1/21, 6/19, 6/21	NSYSM16830P	1/15, 4/8	NSYSMBCE8	4/51	NSYSPF12100	1/15, 3/53, 4/8, 4/19, 4/40
NSYSFP600	1/21, 6/19, 6/21	NSYSM16830T	1/15, 4/8	NSYSMBK	4/33	NSYSPF12200	1/15, 3/53, 4/8, 4/19, 4/40
NSYSFPB	8/13	NSYSM16840	1/15, 4/8	NSYSMDR	8/96	NSYSPF16100	1/15, 4/8, 4/19, 4/40
NSYSFPSC30	3/22, 3/53	NSYSM16840P	1/15, 4/8	NSYSMEB	4/56, 5/25	NSYSPF16200	1/15, 4/8, 4/19, 4/40
NSYSFPSC40	3/22, 3/53	NSYSM16840T	1/15, 4/8	NSYSMEC103	4/50	NSYSPF3100	1/15, 4/19, 4/40
NSYSFPSC50	3/22, 3/53	NSYSM181040	1/15, 4/8	NSYSMEC104	4/50	NSYSPF3200	1/15, 4/19, 4/40
NSYSFPSC60	3/22, 3/53	NSYSM1810402D	1/15, 4/8	NSYSMEC105	4/50	NSYSPF4100	1/15, 4/19, 4/40
NSYSFPSC80	3/22, 3/53	NSYSM1810402DP	1/15, 4/8	NSYSMEC63	4/50	NSYSPF4200	1/15, 4/19, 4/40
NSYSFSPLM	1/21, 6/19, 6/20	NSYSM181040P	1/15, 4/8	NSYSMEC64	4/50	NSYSPF6100	1/15, 3/53, 4/8, 4/19, 4/40, 4/74, 4/88, 4/92
NSYSFTB16	4/57	NSYSM1810502D	1/15, 4/8	NSYSMEC65	4/50	NSYSPF6200	1/15, 3/53, 4/9, 4/19, 4/40, 4/74, 4/88, 4/92
NSYSFTB18	4/57	NSYSM1810502DP	1/15, 4/8	NSYSMEC66	4/50	NSYSPF8100	1/15, 3/53, 4/8, 4/19, 4/40, 4/74, 4/92
NSYSFTB24	4/57	NSYSM1812402D	1/15, 4/8	NSYSMEC83	4/50	NSYSPF8200	1/15, 3/53, 4/9, 4/19, 4/40, 4/74, 4/92
NSYSFV12	1/16, 4/22	NSYSM1812402DP	1/15, 4/8	NSYSMEC84	4/50	NSYSPFC16100	4/43
NSYSFV14	1/16, 4/22	NSYSM1812502D	1/15, 4/8	NSYSMEC85	4/50	NSYSPFC16200	4/43
NSYSFV16	1/16, 4/22	NSYSM1812502DP	1/15, 4/8	NSYSMEC86	4/50	NSYSPFC18100	4/43
NSYSFV18	1/16, 4/22	NSYSM1816402D	1/15, 4/8	NSYSMHR10	1/15, 8/34	NSYSPFC18200	4/43
NSYSFV20	1/17, 4/23	NSYSM1816402DP	1/15, 4/8	NSYSMHR12	1/15, 8/34	NSYSPFC24100	4/43
NSYSFV22	1/17, 4/23	NSYSM1816502D	1/15, 4/8	NSYSMHR16	1/15, 8/34	NSYSPFC24200	4/43
NSYSFWFIX	4/63	NSYSM1816502DP	1/15, 4/8	NSYSMHR6	1/15, 8/34	NSYSPFV6100	4/42, 4/92
NSYSFX181240	1/19, 5/22	NSYSM18630	1/15, 4/8	NSYSMHR8	1/15, 8/34	NSYSPFV8100	4/42, 4/92
NSYSFX18640	1/19, 5/22	NSYSM18630P	1/15, 4/8	NSYSMNR	8/96	NSYSPLA100	1/25, 6/57
NSYSFX18840	1/19, 5/22	NSYSM18640	1/15, 4/8	NSYSMP2D4	8/19	NSYSPLA125	1/25, 6/57
NSYSFX201060	1/19, 5/22	NSYSM18640P	1/15, 4/8	NSYSMP2D5	8/19	NSYSPLA150	1/25, 6/57
NSYSFX201260	1/19, 5/22	NSYSM18640T	1/15, 4/8	NSYSMP2D6	8/19	NSYSPLA75	1/25, 6/57
NSYSFX20650	1/19, 5/22	NSYSM18650	1/15, 4/8	NSYSMP2D8	8/19	NSYSPLM	4/41
NSYSFX20840	1/19, 5/22	NSYSM18650P	1/15, 4/8	NSYSMPB	8/9, 8/13	NSYSMP6	4/41
NSYSFX20860	1/19, 5/22	NSYSM18830	1/15, 4/8	NSYSMPFA	8/11	NSYSMPMP25100	6/55, 8/20
NSYSGF	4/44	NSYSM18830P	1/15, 4/8	NSYSMPFB	8/11	NSYSMPMP25120	8/20
NSYSH180	4/66	NSYSM18830T	1/15, 4/8	NSYSMPFS	8/14		
NSYSIBTB	8/17	NSYSM18840	1/15, 4/8	NSYSMPFS5	8/14		
NSYSIMP12	4/19, 8/15	NSYSM18840P	1/15, 4/8	NSYSMPFS6	8/14		
NSYSIMP14	4/19, 8/15	NSYSM18840T	1/15, 4/8	NSYSMPFS8	8/14		
NSYSIMP16	4/19, 8/15	NSYSM18850	1/15, 4/8	NSYSMPSPB	8/13		
NSYSIMP18	4/19, 8/15	NSYSM18850P	1/15, 4/8	NSYSMPSE10	8/18		
NSYSIMP20	4/19, 8/15	NSYSM18850T	1/15, 4/8	NSYSMPSE12	8/18		
NSYSIMP22	4/19, 8/15	NSYSM18860	1/15, 4/8	NSYSMPSE6	8/18		



# Index of catalog numbers

Catalog Number	Page	Catalog Number	Page	Catalog Number	Page	Catalog Number	Page
NSYSPMP2560	8/20	NSYSRCE650	4/60	NSYSUCR90200	8/36	NSYTBS1176C2	2/25, 2/31
NSYSPMP2575	6/55, 8/20	NSYSRCE660	4/60	NSYSUCR90220	8/36	NSYTBS1176C3	2/25, 2/31
NSYSPMP2580	8/20	NSYSRCE850	4/60	NSYSUCR9030	4/45, 8/36	NSYTBS1179H	1/9, 2/24, 2/30, 2/31
NSYSPMP40100	6/55, 8/20	NSYSRCE860	4/60	NSYSUCR9040	4/45, 8/36	NSYTBS1397	1/9, 2/24, 2/30, 2/31
NSYSPMP40120	8/20	NSYSRSYS810	4/94	NSYSUCR9050	4/45, 8/36	NSYTBS1397T	1/9, 2/24, 2/31
NSYSPMP40160	8/20	NSYSRSYS86	4/94	NSYSUCR9060	8/36	NSYTBS16128	1/9, 2/24, 2/30, 2/31
NSYSPMP4060	8/20	NSYSRSYS88	4/94	NSYSUCR9070	4/45, 8/36	NSYTBS16128T	1/9, 2/24, 2/31
NSYSPMP4080	8/20	NSYST30M6	8/39	NSYSUCR9080	8/36	NSYTBS191210H	1/9, 2/24, 2/30, 2/31
NSYSPMP60100	8/20	NSYST30M6S	8/39	NSYSUCR9090	4/45, 8/36	NSYTBS191210HT	1/9, 2/24, 2/31
NSYSPMP60120	8/20	NSYST40M8	8/39	NSYSUPLA3	6/42	NSYTBS19128	1/9, 2/24, 2/30, 2/31
NSYSPMP6060	8/20	NSYSTBR3	8/21	NSYSUPLA3T	6/42	NSYTBS19128T	1/9, 2/24, 2/31
NSYSPMP6080	8/20	NSYSTBR4	8/21	NSYSUPLA4	6/42	NSYTBS191610H	1/9, 2/24, 2/30, 2/31
NSYSPRJ	8/105	NSYSTBR5	8/21	NSYSUPLA4T	6/42	NSYTBS191610HT	1/9, 2/24, 2/31
NSYSPSJ	8/105	NSYSTBR6	8/21	NSYSVR606	4/58, 4/99	NSYTBS19168	1/9, 2/24, 2/30, 2/31
NSYSPS10100	4/92	NSYSTDCSX	5/10	NSYSVR608	4/58, 4/99	NSYTBS19168T	1/9, 2/24, 2/31
NSYSPS3100	1/15, 3/53, 4/8, 4/40	NSYSTDCXH	5/10	NSYSVR806	4/58, 4/99	NSYTBS241910H	1/9, 2/24, 2/30, 2/31
NSYSPS3200	1/15, 3/53, 4/9, 4/40	NSYSTDNCSX	5/10	NSYSVR808	4/58, 4/99	NSYTBS241910HT	1/9, 2/24, 2/31
NSYSPS4100	1/15, 3/53, 3/59, 4/8, 4/19, 4/40	NSYSTMP22100	8/26	NSYTBC	2/10, 2/11	NSYTBS241916H	1/9, 2/24, 2/30, 2/31
NSYSPS4200	1/15, 3/53, 3/59, 4/9, 4/19, 4/40	NSYSTMP22120	8/26	NSYTBP11116	1/9, 2/24, 2/30, 2/31	NSYTBS241916HT	1/9, 2/24, 2/31
NSYSPS5100	1/15, 4/8, 4/19, 4/40	NSYSTMP2260	8/26	NSYTBP1176	1/9, 2/24, 2/30, 2/31	NSYTBS241910HT	1/9, 2/24, 2/31
NSYSPS5200	1/15, 4/9, 4/19, 4/40	NSYSTMP2280	8/26	NSYTBP1397	1/9, 2/24, 2/30, 2/31	NSYTBS241910T	1/9, 2/24, 2/30, 2/31
NSYSPS6100	1/15, 4/8, 4/19, 4/40, 4/74, 4/88, 4/92	NSYSTMP45100	8/26	NSYTBP1397T	1/9, 2/24, 2/31	NSYTBS241910T	1/9, 2/24, 2/30, 2/31
NSYSPS6200	1/15, 4/9, 4/19, 4/40, 4/74, 4/88, 4/92	NSYSTMP45120	8/26	NSYTBP16128	1/9, 2/24, 2/30, 2/31	NSYTBS241912H	1/9, 2/24, 2/30, 2/31
NSYSPS8100	1/15, 4/19, 4/40, 4/74, 4/88, 4/92	NSYSTMP4560	8/26	NSYTBP16128T	1/9, 2/24, 2/31	NSYTBS241912HT	1/9, 2/24, 2/31
NSYSPS8200	1/15, 4/19, 4/40, 4/74, 4/88, 4/92	NSYSTMP60100	8/26	NSYTBP16128T	1/9, 2/24, 2/31	NSYTBS241918	1/9, 2/24, 2/30, 2/31
NSYSPV6100	4/42, 4/92	NSYSTMP60120	8/26	NSYTBP191210H	1/9, 2/24, 2/30, 2/31	NSYTBS24198T	1/9, 2/24, 2/31
NSYSPV8100	4/42, 4/92	NSYSTMP6060	8/26	NSYTBP191210HT	1/9, 2/24, 2/31	NSYTBS292412	1/9, 2/24, 2/30, 2/31
NSYSXPX10100H	1/19, 5/22, 5/27	NSYSTMP6080	8/26	NSYTBP1912120H	1/9, 2/24, 2/30, 2/31	NSYTBS292412H	1/9, 2/24, 2/30, 2/31
NSYSXPX10200H	1/19, 5/22, 5/27	NSYSTMP82100	8/26	NSYTBP1912120HT	1/9, 2/24, 2/31	NSYTBS292412HT	1/9, 2/24, 2/31
NSYSXPX12100H	1/19, 5/22, 5/27	NSYSTMP82120	8/26	NSYTBP19128	1/9, 2/24, 2/30, 2/31	NSYTBS292412T	1/9, 2/24, 2/30, 2/31
NSYSXPX12200H	1/19, 5/22, 5/27	NSYSTMP8260	8/26	NSYTBP19128T	1/9, 2/24, 2/31	NSYTBS292416H	1/9, 2/24, 2/30, 2/31
NSYSXPX16100H	1/19, 5/27	NSYSTMP8280	8/26	NSYTBP191610H	1/9, 2/24, 2/30, 2/31	NSYTBS292416HT	1/9, 2/24, 2/30, 2/31
NSYSXPX16200H	1/19, 5/27	NSYSTR64	4/83	NSYTBP191610HT	1/9, 2/24, 2/31	NSYTBS29248	1/9, 2/24, 2/30, 2/31
NSYSXPX6100H	1/19, 5/18, 5/22, 5/27	NSYSTR65	4/83	NSYTBP191610T	1/9, 2/24, 2/30, 2/31	NSYTBS29248T	1/9, 2/24, 2/31
NSYSXPX6200H	1/19, 5/18, 5/22, 5/27	NSYSTR84	4/83	NSYTBP19168	1/9, 2/24, 2/30, 2/31	NSYTBS342912	1/9, 2/24, 2/30, 2/31
NSYSXPX8100H	1/19, 5/22, 5/27	NSYSTR85	4/83	NSYTBP19168T	1/9, 2/24, 2/31	NSYTBS342912H	1/9, 2/24, 2/30, 2/31
NSYSXPX8200H	1/19, 5/22, 5/27	NSYSTW	8/104	NSYTBP241910	1/9, 2/24, 2/30, 2/31	NSYTBS342916H	1/9, 2/24, 2/30, 2/31
NSYSXPX3100H	1/19, 5/27	NSYSUCR40100	8/35	NSYTBP241910H	1/9, 2/24, 2/30, 2/31	NSYTBS342916HT	1/9, 2/24, 2/31
NSYSXPX4100H	1/19, 5/22, 5/27	NSYSUCR40110	4/45, 8/36	NSYTBP241910HT	1/9, 2/24, 2/31	NSYTBS775	1/9, 2/24, 2/30, 2/31
NSYSXPX4100H	1/19, 5/22	NSYSUCR40120	8/35	NSYTBP241910T	1/9, 2/24, 2/31	NSYTBS775B1Y	2/25, 2/31
NSYSXPX5100H	1/19, 5/22, 5/27	NSYSUCR40140	8/35	NSYTBP241912H	1/9, 2/24, 2/30, 2/31	NSYTBS775C1	2/25, 2/31
NSYSXPX5100H	1/19, 5/22	NSYSUCR40150	4/45, 8/36	NSYTBP241912HT	1/9, 2/24, 2/31	NSYTBS775C1Y	2/25, 2/31
NSYSXPX5100H	1/19, 5/22	NSYSUCR40160	8/35	NSYTBP241918	1/9, 2/24, 2/30, 2/31	NSYTBS885	1/9, 2/24, 2/30, 2/31
NSYSXPX5100H	1/19, 5/18, 5/22, 5/27	NSYSUCR40180	8/35	NSYTBP241918T	1/9, 2/24, 2/31	NSYTC1	8/78
NSYSXPX8100H	1/19, 5/22, 5/27	NSYSUCR40200	8/35	NSYTBP292412	1/9, 2/24, 2/30, 2/31	NSYTC12100	8/85
NSYSXPX8200H	1/19, 5/22, 5/27	NSYSUCR40220	8/35	NSYTBP292412H	1/9, 2/24, 2/30, 2/31	NSYTC2	8/78
NSYSXPX3100H	1/19, 5/27	NSYSUCR4030	4/45, 8/35	NSYTBP292412HT	1/9, 2/24, 2/31	NSYTC3	8/78
NSYSXPX4100H	1/19, 5/22, 5/27	NSYSUCR4040	4/45, 4/90, 8/35, 8/45	NSYTBP292416H	1/9, 2/24, 2/30, 2/31	NSYTC4	8/78
NSYSXPX4100H	1/19, 5/22	NSYSUCR4050	4/45, 4/90, 8/35, 8/45	NSYTBP292416HT	1/9, 2/24, 2/30, 2/31	NSYTC5	8/78
NSYSXPX5100H	1/19, 5/22, 5/27	NSYSUCR4060	4/90, 8/35, 8/45	NSYTBP29248	1/9, 2/24, 2/30, 2/31	NSYTC6	8/78
NSYSXPX5100H	1/19, 5/22	NSYSUCR4070	4/45, 8/36	NSYTBP342912	1/9, 2/24, 2/30, 2/31	NSYTC6CRN	2/10, 2/11, 2/17, 3/62, 6/23
NSYSXPX6100H	1/19, 5/18, 5/22, 5/27	NSYSUCR4080	4/90, 8/35, 8/45	NSYTBP342912H	1/9, 2/24, 2/30, 2/31	NSYTC6ML	3/63
NSYSXPX8100H	5/18, 5/27	NSYSUCR4090	4/45, 8/36	NSYTBP342916H	1/9, 2/24, 2/30, 2/31	NSYTC6CSX	5/10
NSYSQCR40100	8/37	NSYSUCR65100	8/35	NSYTBP342916HT	1/9, 2/24, 2/31	NSYTC6ME	5/25, 6/23
NSYSQCR40120	8/37	NSYSUCR65120	8/35	NSYTBP775	1/9, 2/24, 2/30, 2/31	NSYTC6PL	6/24
NSYSQCR4040	4/90, 8/37, 8/45	NSYSUCR65140	8/35	NSYTBP885	1/9, 2/24, 2/30, 2/31	NSYTC7CRN	2/10, 2/11, 2/17, 3/62, 6/23, 6/50
NSYSQCR4050	4/90, 8/37, 8/45	NSYSUCR65160	8/35	NSYTBS111113H	1/9, 2/24, 2/30, 2/31	NSYTC7ML	3/63
NSYSQCR4060	4/90, 8/37, 8/45	NSYSUCR65180	8/35	NSYTBS11116	1/9, 2/24, 2/30, 2/31	NSYTC7CSX	5/10
NSYSQCR4080	4/90, 8/37, 8/45	NSYSUCR65200	8/35	NSYTBS1176	1/9, 2/24, 2/30, 2/31	NSYTC7ME	5/25, 6/23
NSYSQCR65100	8/37	NSYSUCR65220	8/35	NSYTBS1176B2	2/25, 2/31	NSYTC7PL	6/24
NSYSQCR65120	8/37	NSYSUCR6530	8/35	NSYTBS1176B3	2/25, 2/31	NSYTC8CRN	2/10, 2/11, 2/17, 3/62, 6/23, 6/50
NSYSQCR6540	8/37	NSYSUCR6540	8/35			NSYTC8ML	3/63
NSYSQCR6550	8/37	NSYSUCR6550	8/35			NSYTC8ME	5/25, 6/23
NSYSQCR6560	8/37	NSYSUCR6560	8/35				
NSYSQCR6580	8/37	NSYSUCR6580	8/35				
NSYSQCR90100	8/37	NSYSUCR90100	8/36				
NSYSQCR90120	8/37	NSYSUCR90110	4/45, 8/36				
NSYSQCR9040	8/37	NSYSUCR90120	8/36				
NSYSQCR9050	8/37	NSYSUCR90140	8/36				
NSYSQCR9060	8/37	NSYSUCR90150	4/45, 8/36				
NSYSQCR9080	8/37	NSYSUCR90160	8/36				
NSYSRCE1050	4/60	NSYSUCR90180	8/36				
NSYSRCE1060	4/60						

# Index of catalog numbers

Catalog Number	Page	Catalog Number	Page	Catalog Number	Page	Catalog Number	Page
NSYTC8PL	6/24	NSYJT4020	3/15, 3/25, 3/53, 3/61	NSYTPLSC3672A	6/6	NSYUR60	8/60
NSYTC2D274	6/10	NSYJT4025	3/15, 3/25, 3/53, 3/61	NSYTPLSC5454	6/6	NSYUT20	8/60
NSYTC2D276	6/10	NSYJT5015	3/25, 3/53, 3/61	NSYTPLSC5454A	6/6	NSYUT40	8/60
NSYTC2D278	6/10	NSYJT5020	3/15, 3/25, 3/53, 3/61	NSYTPLSC5472A	6/6	NSYUTA22	8/59
NSYTCL405ME	6/23	NSYJT5025	3/15, 3/25, 3/53, 3/61	NSYTPLSP1827	6/6	NSYUTA42	8/59
NSYTCM274	6/10	NSYJT6020	3/15, 3/25, 3/53, 3/61	NSYTPLSP2727	6/6	NSYUTA44	8/59
NSYTCM276	6/10	NSYJT6025	3/15, 3/25, 3/53, 3/61	NSYTPLSP2736	6/6	NSYUVPLA	6/43
NSYTCM278	6/10	NSYJT6030	3/15, 3/25, 3/53, 3/61	NSYTPLSP2754	6/6	NSYVA2710M	8/98
NSYTCM6PLM	6/26	NSYJT6040	3/15, 3/25, 3/53, 3/61	NSYTPLSP3636	6/6	NSYVA2710MA	8/98
NSYTCSPLM	1/12, 3/4, 6/26	NSYJT8020	3/25, 3/53, 3/61	NSYTPLSP3654	6/6	NSYVA2712M	8/98
NSYTC274	6/10	NSYJT8025	3/15, 3/25, 3/53, 3/61	NSYTPLSP5454	6/6	NSYVA2712MA	8/98
NSYTC276	6/10	NSYJT8030	3/15, 3/25, 3/53, 3/61	NSYTS2414SE	8/73, 8/74	NSYVA2716M	8/98
NSYTC278	6/10	NSYJT8040	3/15, 3/25, 3/53, 3/61	NSYTS2417SE	8/73, 8/74	NSYVA2724M	8/98
NSYTD5ME	5/25, 6/23	NSYJTJPLA103	1/25, 6/41, 6/46	NSYTS2422SE	8/73, 8/74	NSYVA272M	8/98
NSYDDBCRN	2/10, 2/11, 3/62	NSYJTJPLA104	1/25, 6/41, 6/46	NSYTS2423SE	8/73, 8/74	NSYVA272MA	8/98
NSYDTC34	8/65	NSYJTJPLA123	1/25, 6/41, 6/46	NSYTS2429SE	8/73, 8/74	NSYVA2736M	1/12, 3/4, 8/98
NSYDTC56	8/65	NSYJTJPLA124	1/25, 6/41, 6/46	NSYTSACR30	3/30, 3/31	NSYVA274M	1/12, 3/4, 8/98
NSYDTE4	8/65	NSYJTJPLA53	1/25, 6/41, 6/46	NSYTSACRNB	3/30, 3/31	NSYVA274MA	8/98
NSYDTE5	8/65	NSYJTJPLA54	1/25, 6/41, 6/46	NSYTSACRNC	3/30, 3/31	NSYVA2751M	8/98
NSYDTE6	8/65	NSYJTJPLA73	1/25, 6/41, 6/46	NSYTSACRND	3/30, 3/31	NSYVA276M	8/98
NSYTE10	8/5	NSYJTJPLA74	1/25, 6/41, 6/46	NSYTSAM504SE	8/73	NSYVA276MA	8/98
NSYTE12	8/5	NSYTK1	2/10, 2/11	NSYTSAM508SE	8/73	NSYVA278M	8/98
NSYTE3	8/5	NSYTK2	2/10, 2/11	NSYTSAM6313SE	8/73	NSYVA278MA	8/98
NSYTE4	8/5	NSYTL220PLM	6/23	NSYTSAM638SE	8/73	NSYVDM11UP	3/15
NSYTE5	8/5	NSYTL27270	6/8	NSYTSML	3/63	NSYVDM12UF	3/15
NSYTE6	8/5	NSYTL27360	6/8	NSYTSMP450	4/96	NSYVDM16UP	3/15
NSYTE8	8/5	NSYTL405PLM	6/23	NSYTSMP450	4/94	NSYVDM17UF	3/15
NSYTEC6PL	6/24	NSYTL405SML	3/63	NSYTSPLA	6/51	NSYVDM20U8P	3/15
NSYTEC7ML	3/63	NSYTLA4420	1/21, 6/19, 6/20	NSYTSPLA450	4/96	NSYVDM20UP	3/15
NSYTEC7PL	6/24	NSYTLA6420	1/21, 6/19, 6/20	NSYTT6CRN	2/10, 2/11, 2/17, 3/62, 6/23, 6/50	NSYVDM21UF	3/15
NSYTEC8ML	3/63	NSYTLCL	4/60	NSYTT6ME	5/25, 6/23	NSYVDM25U8P	3/15
NSYTEC8PL	6/24	NSYTLCLF	4/62	NSYTT6PL	6/24	NSYVEA9	6/27
NSYTEDB5ML	3/63	NSYTLCK	4/61	NSYTT7CRN	2/17, 3/62	NSYVR18	4/9, 4/19, 8/23
NSYTEDB5PL	6/24	NSYTLCU	4/61	NSYTT7ML	3/63	NSYVR20	4/9, 4/19, 8/23
NSYTEL1242EPL	6/24	NSYTLCRNA	3/51, 3/64	NSYTT7PL	6/24	NSYVR22	4/19, 8/23
NSYTEL405ML	3/63	NSYTLCRNB	3/51, 3/64	NSYTT8CRN	2/10, 2/11, 2/17, 3/62, 6/23, 6/50	NSYVTR20	4/19
NSYTEL405PL	6/24	NSYTLCRNC	3/51, 3/64	NSYTT8CSX	5/10	NSYWMK33	3/23
NSYTEL405SML	6/24	NSYTLCRND	3/51, 3/64	NSYTT8ME	5/25, 6/23	NSYWMK34	3/23
NSYTEL405PLM	6/24	NSYTLCRNO	3/51, 3/64	NSYTT8ML	3/63	NSYWMK43	3/23
NSYTEL405PLM	6/24	NSYTLDR	3/51, 3/64	NSYTT8PL	6/24	NSYWMK44	3/23
NSYTEL405PLM	6/24	NSYTLDR	3/51, 3/64	NSYTTG40	4/89, 8/44	NSYZHPLA103	1/25, 6/41
NSYTEL405PLM	6/24	NSYTLDR	3/51, 3/64	NSYTTG50	4/89, 8/44	NSYZHPLA104	1/25, 6/41
NSYTEL405PLM	6/24	NSYTLDR	3/51, 3/64	NSYTTG60	4/89, 8/44	NSYZHPLA123	1/25, 6/41
NSYTEL405PLM	6/24	NSYTLDR	3/51, 3/64	NSYTVR10	6/56, 8/24	NSYZHPLA124	1/25, 6/41
NSYTEL405PLM	6/24	NSYTLDR	3/51, 3/64	NSYTVR12	4/9, 4/19, 8/24	NSYZHPLA53	1/25, 6/41
NSYTEL405PLM	6/24	NSYTLDR	3/51, 3/64	NSYTVR15	6/56, 8/24	NSYZHPLA54	1/25, 6/41
NSYTEL405PLM	6/24	NSYTLDR	3/51, 3/64	NSYTVR14	4/9, 4/19, 8/24	NSYZHPLA73	1/25, 6/41
NSYTEL405PLM	6/24	NSYTLDR	3/51, 3/64	NSYTVR15	6/56, 8/24	NSYZHPLA74	1/25, 6/41
NSYTEL405PLM	6/24	NSYTLDR	3/51, 3/64	NSYTVR16	4/9, 4/19, 8/24	NSYZNPLA103	1/25, 6/41, 6/44
NSYTEL405PLM	6/24	NSYTLDR	3/51, 3/64	NSYTVR18	4/9, 4/19, 8/24	NSYZNPLA104	1/25, 6/41, 6/44
NSYTEL405PLM	6/24	NSYTLDR	3/51, 3/64	NSYTVR20	4/9, 4/19, 8/24	NSYZNPLA123	1/25, 6/41, 6/44
NSYTEL405PLM	6/24	NSYTLDR	3/51, 3/64	NSYTVR22	4/19, 8/24	NSYZNPLA124	1/25, 6/41, 6/44
NSYTEL405PLM	6/24	NSYTLDR	3/51, 3/64	NSYTVR7	6/56, 8/24	NSYZNPLA53	1/25, 6/41, 6/44
NSYTEL405PLM	6/24	NSYTLDR	3/51, 3/64	NSYTVR8	8/24	NSYZNPLA54	1/25, 6/41, 6/44
NSYTEL405PLM	6/24	NSYTLDR	3/51, 3/64	NSYTX10030	1/18, 5/8, 5/9	NSYZNPLA73	1/25, 6/41, 6/44
NSYTEL405PLM	6/24	NSYTLDR	3/51, 3/64	NSYTX2015	1/18, 5/8, 5/9	NSYZNPLA74	1/25, 6/41, 6/44
NSYTEL405PLM	6/24	NSYTLDR	3/51, 3/64	NSYTX2515	1/18, 5/8, 5/9		
NSYTEL405PLM	6/24	NSYTLDR	3/51, 3/64	NSYTX3015	1/18, 5/8, 5/9		
NSYTEL405PLM	6/24	NSYTLDR	3/51, 3/64	NSYTX3020	1/18, 5/8, 5/9		
NSYTEL405PLM	6/24	NSYTLDR	3/51, 3/64	NSYTX4020	1/18, 5/8, 5/9		
NSYTEL405PLM	6/24	NSYTLDR	3/51, 3/64	NSYTX5025	1/18, 5/8, 5/9		
NSYTEL405PLM	6/24	NSYTLDR	3/51, 3/64	NSYTX6020	1/18, 5/8, 5/9		
NSYTEL405PLM	6/24	NSYTLDR	3/51, 3/64	NSYTX6025	1/18, 5/8, 5/9		
NSYTEL405PLM	6/24	NSYTLDR	3/51, 3/64	NSYTX8030	1/18, 5/8, 5/9		
NSYTEL405PLM	6/24	NSYTLDR	3/51, 3/64	NSYUCA22	8/58		
NSYTEL405PLM	6/24	NSYTLDR	3/51, 3/64	NSYUCA44	8/58		
NSYTEL405PLM	6/24	NSYTLDR	3/51, 3/64	NSYUCC270	6/8		
NSYTEL405PLM	6/24	NSYTLDR	3/51, 3/64	NSYUCC360	6/8		
NSYTEL405PLM	6/24	NSYTLDR	3/51, 3/64	NSYUM27180	6/8		
NSYTEL405PLM	6/24	NSYTLDR	3/51, 3/64	NSYUM27270	6/8		
NSYTEL405PLM	6/24	NSYTLDR	3/51, 3/64	NSYUM27360	6/8		
NSYTEL405PLM	6/24	NSYTLDR	3/51, 3/64	NSYUR20	8/60		
NSYTEL405PLM	6/24	NSYTLDR	3/51, 3/64	NSYUR40	8/60		





**Schneider Electric USA, Inc.**

**[www.schneider-electric.us](http://www.schneider-electric.us)**

1415 Roselle Road  
Palatine, IL 60067 USA  
1-888-778-2733

The information and dimensions in this catalog are provided for the convenience of our customers. While this information is believed to be accurate, Schneider Electric reserves the right to make updates and changes without prior notification and assumes no liability for any errors or omissions.

9993CT0901R02/13  
Replaces 9993CT0901R11/12 dated 11/2012

© 2010–2013 Schneider Electric. All Rights Reserved.

February 2013



**Catalog**

**Universal Enclosures**

**Schneider**  
ELECTRIC™