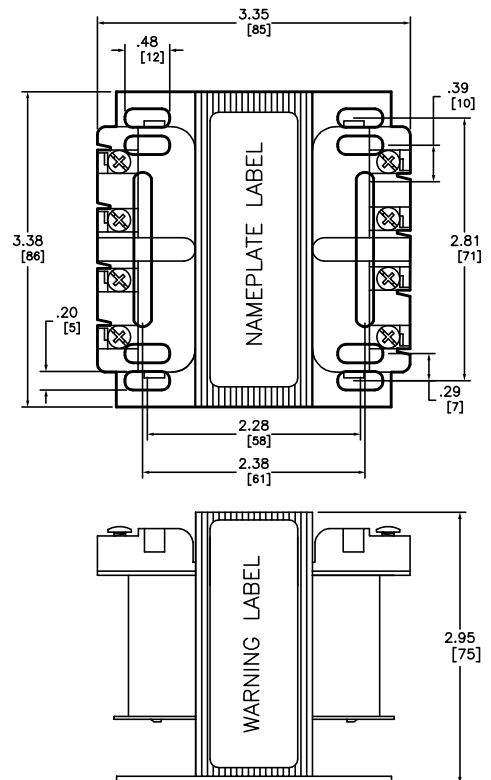


J:\wip\209\control\_online\5841.DWG 07/22/2008 12:13:11 PM

CATALOG NUMBER	PRIMARY VOLTAGE	SECONDARY VOLTAGE	50/60 Hz 1 PHASE		APPROXIMATE WEIGHT (Lbs/Kg)
			UL/cUL/CSA/NOM RATINGS (VA)	CE RATINGS (VA)	
9070T50D18	208/277/380	95/115	50	50	3.8 / 1.7
9070T50D20	208/230/460	115	50	50	3.8 / 1.7
9070T50D32	220/440/550	90/110	50	50	3.8 / 1.7
	230/460/575	95/115			
	240/480/600	100/120			
9070T50D51	208/277	120	50	50	3.7 / 1.6
9070T50D95	208/240/480	120	50	50	3.8 / 1.7
	200/230/460	115			
	220/440	110			



FILES/STANDARDS:  
 UL/cUL FILE: E61239  
 CSA FILE: LR37055  
 CE: TUV CERTIFIED TO 61558  
 NOM 117

50VA-CONTROL POWER TRANSFORMER  
 9070 TYPE T  
 CATALOG NUMBERS: FROM CHART



DWG# 5841  
 NO.