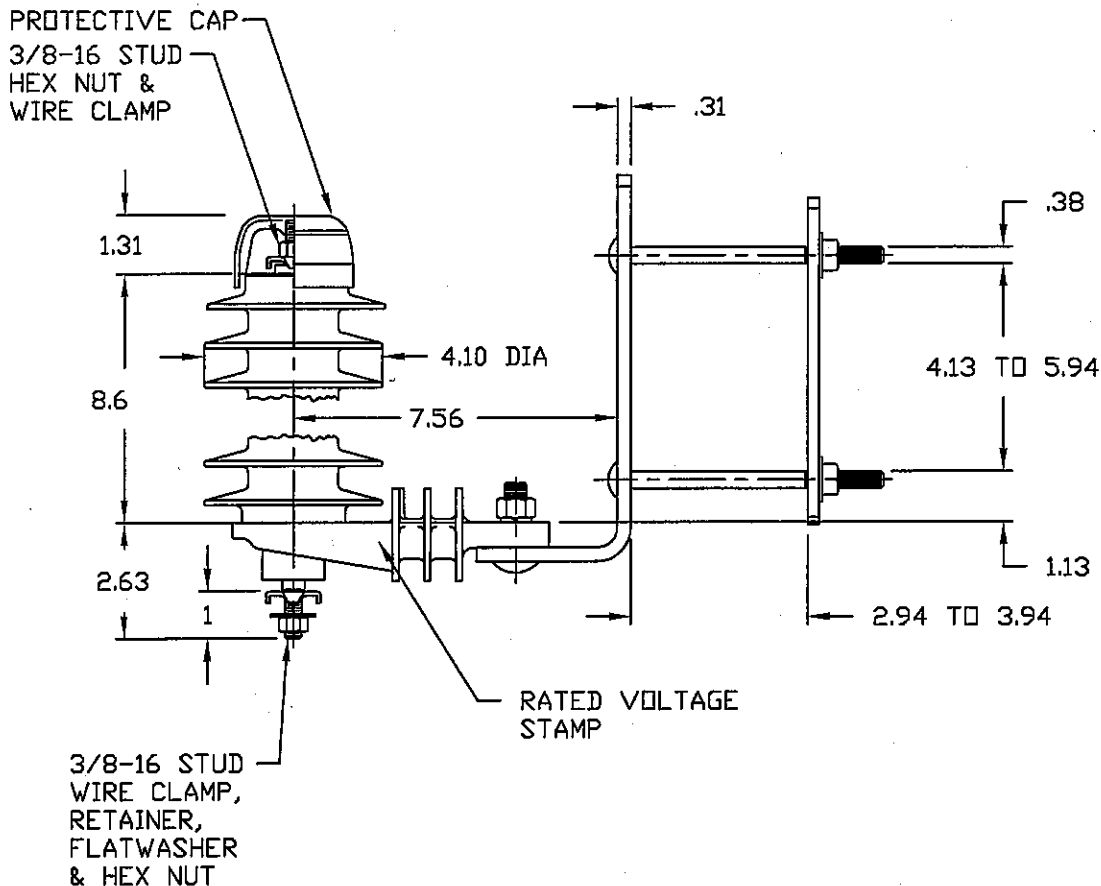


NOTES:

1. DIMENSIONS SUBJECT TO +/- 3% TOLERANCE
2. LEAKAGE DISTANCE (Inches) - 28.1
3. ALTITUDE 0-12000 FT. ABOVE SEA LEVEL
4. WEIGHT OF UNIT INCLUDING HARDWARE - 8.8 LB.
5. MAXIMUM CONTINUOUS LINE-TO-GROUND OPERATING VOLTAGE 17.0 kV MCOV
6. DUTY CYCLE VOLTAGE RATING 21 kV RMS.



.5 μ SEC IR kV	10kA	500 A SWITCHING SURGE IR kV	MAXIMUM 8/20 DISCHARGE VOLTAGE - kV AT					
			1.5 kA	3.0 kA	5 kA	10 kA	20 kA	40 kA
68.3		49	51.1	54.5	57.8	63.5	71.4	85

DISTRIBUTION CLASS SURGE ARRESTER							
	CONFIDENTIAL: THIS DRAWING AND ITS CONTENTS ARE CONFIDENTIAL AND THE EXCLUSIVE PROPERTY OF HUBBELL POWER SYSTEMS. NO PUBLICATION, DISTRIBUTION OR COPIES MAY BE MADE WITHOUT THE WRITTEN CONSENT OF HUBBELL POWER SYSTEMS. HUBBELL POWER SYSTEMS UNPUBLISHED. ALL RIGHTS RESERVED UNDER THE COPYRIGHT LAWS.		TITLE PDV-100 OPTIMA 17.0 KV MCOV				
	REV DATE	10/24/07	SIZE	DWG NO.	CAT / PART / ASSY NO.	REV	
		DO NOT SCALE THIS DRAWING	DRN BY ENG1195	DATE 06/17/00	SHEET 1 OF 1		