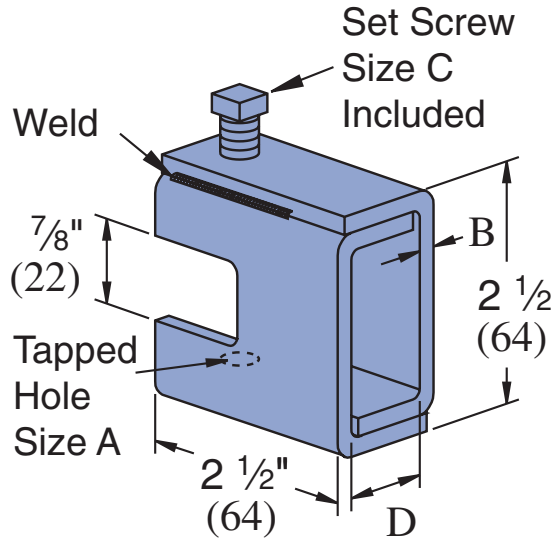
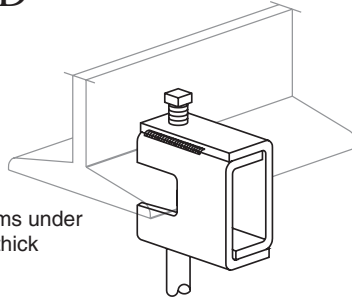




P1648S THRU P1653S



Weld is not continuous it is either 1 1/4" (32) - 1 3/4" (45) long or 2 spot welds. All welds are on the top and bottom.



For beams under 7/8" (22) thick flange.

Part Number	"A" In	"B" In (mm)	"C" In	"D" In (mm)	Wt/100 pcs Lbs (kg)	Design Load Lbs (kN)
P1648S	1/4 - 20	1/8 3	3/8 x 1 1/2	7/8 22	67 30.4	650 2.89
P1649S	5/16 - 18	1/8 3	3/8 x 1 1/2	7/8 22	67 30.4	650 2.89
P1649AS	3/8 - 16	1/8 3	3/8 x 1 1/2	7/8 22	67 30.4	650 2.89
P1650S	3/8 - 16	3/16 5	1/2 x 1 1/2	15/16 24	100 45.4	1,100 4.89
P1650AS	1/2 - 13	3/16 5	1/2 x 1 1/2	15/16 24	100 45.4	1,100 4.89
P1651S	1/2 - 13	1/4 6	1/2 x 1 1/2	15/16 24	130 59.0	1,600 7.12
P1651AS	5/8 - 11	1/4 6	1/2 x 1 1/2	15/16 24	130 59.0	1,600 7.12
P1652S	5/8 - 11	5/16 8	5/8 x 1 1/2	15/16 33	160 72.6	2,400 10.68
P1653S	3/4 - 10	5/16 88	5/8 x 1 1/2	15/16 33	160 72.6	2,400 10.68

Note: When used for mechanical supports, load capacities of brackets and fittings should be in compliance with the American Standard Code for Pressure Piping. Clamps are designed to be used with W, M, S & HP Shape beams, Standard C & Misc. MC Channels, Angles & Structural Tees. Clamps must be used in pairs where indicated. For beam clamps with HG finish, standard hardware is EG finish. For optional stainless steel hardware, please contact the factory for availability.

MATERIAL

Fittings, unless noted, are made from hot-rolled, pickled and oiled steel plates, strip or coil, and conform to ASTM specifications A575, A576, A635, or A36. The fitting steel also meets the physical requirements of ASTM A1011 SS GR 33. The pickling of the steel produces a smooth surface free from scale.

Many fittings are also available in stainless steel, aluminum and fiberglass. Consult factory for ordering information.

FINISHES

Fittings are available in:

- Perma-Green III (GR),
- Electro-galvanized (EG), conforming to ASTM B633 Type III SC1;
- Hot-dipped galvanized (HG), conforming to ASTM A123 or A153 and
- Plain (PL).

<p>Project: _____</p> <p>Architect / Engineer: _____</p> <p>Date: _____ Phone: _____</p> <p>Contractor: _____</p> <p>Address: _____</p> <p>_____</p> <p>Notes 1: _____</p> <p>_____</p> <p>Notes 2: _____</p> <p>_____</p>	<p>Approval Stamp:</p>
--	-------------------------------