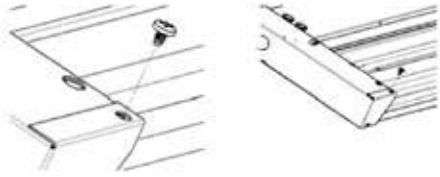
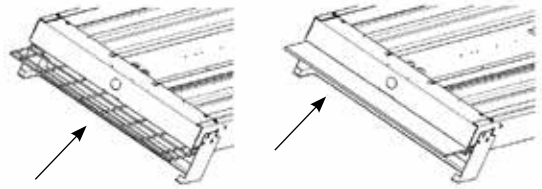


INSTALLING THE VERSABAY® SIDE RAIL, END JAW, WIRE GUARD AND/OR LENS

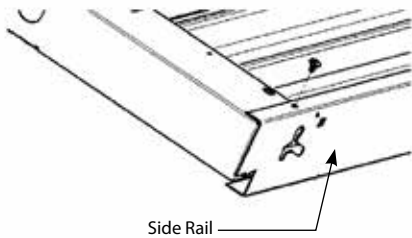
1) Remove screw on top of end cap side flange at each corner.



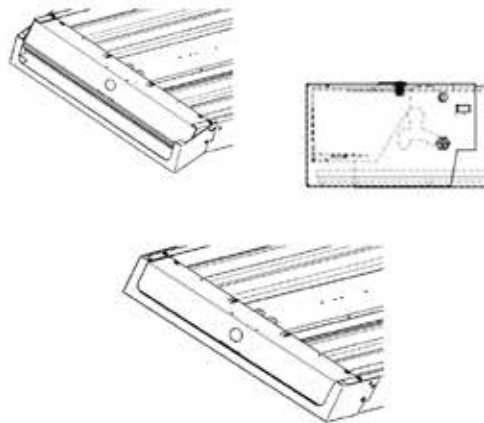
4) Insert Wire Guard & Lens.



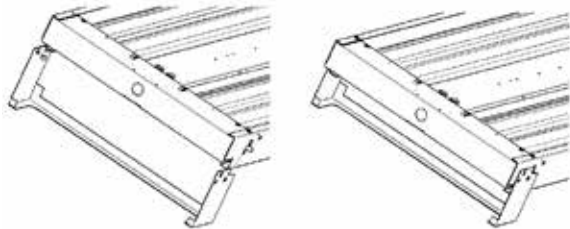
2) Install VersaBay® side rail using the same screw removed in Step 1.



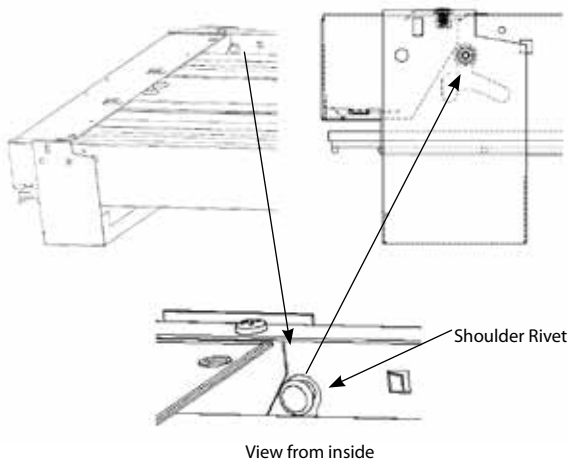
5) Close Jaw by rotating up, lift up & slide Jaw forward install optional security screw (if one is present).



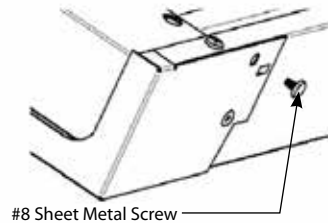
3) Install VersaBay® End Jaw, engaging shoulder rivet in slotted opening in side rails as shown below.



Insert rivet head through keyhole of Jaw pivot track (both sides).



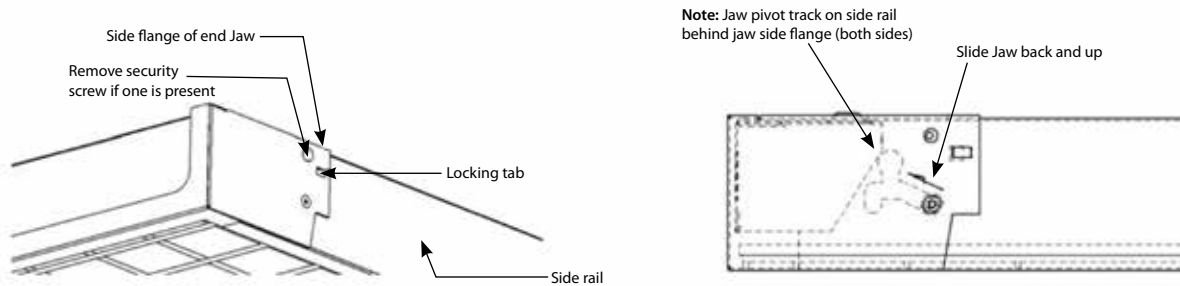
6) Install optional security screw if desired (not provided in kit).



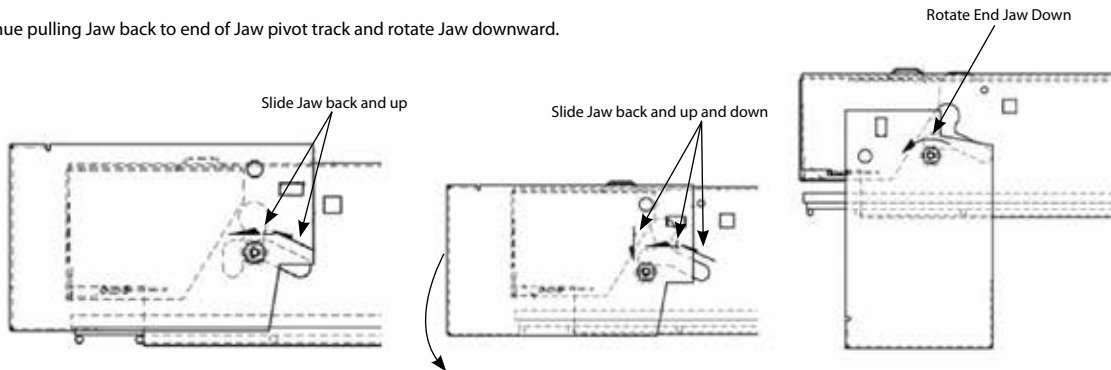
Applies to both fluorescent (shown) and LED VersaBay® High Bays

REMOVING SHIELDING FROM FIXTURES WITH SHIELDING FRAME ALREADY INSTALLED

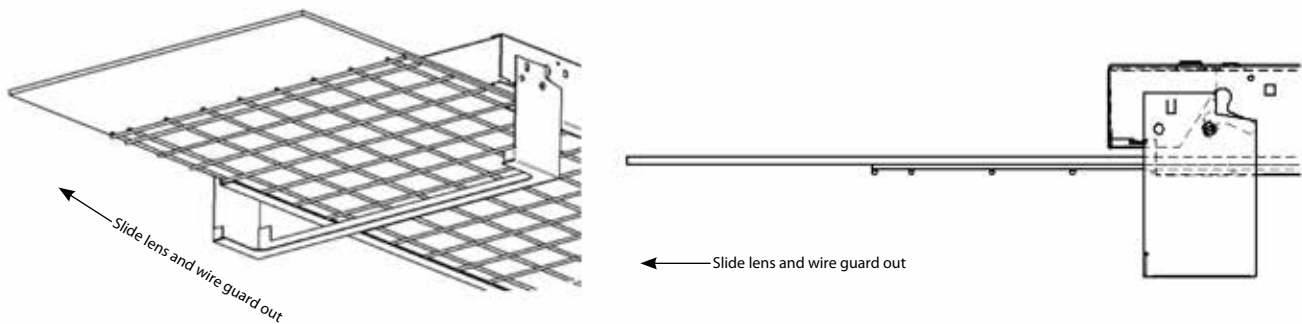
- 1) Remove optional security screws (if one is present).
- 2) Spread end Jaw side flanges slightly outward away from side rail to disengage locking tab, pull back and up.



- 3) Continue pulling Jaw back to end of Jaw pivot track and rotate Jaw downward.



- 4) Slide out lens and/or wire guard



Applies to both fluorescent (shown) and LED VersaBay® High Bays