



**Product Datasheet**



**ANDERSON FARGO**

**TLD32L -- Terminal, Bronze Bolted**



Terminal, Bronze Bolted, Tap Lug, One or Two Cables to Flat 3/4" Thick, cable range 0.128-0.419

**Product Specifications**

<p>Family Image</p>	 <p>Terminals</p>
<p>Terminals</p>	 <p>TLD Series Tap Lug, One or Two Cables Bronze Bolted Terminals</p>
<p>PDF Catalog Page</p>	<p><a href="#">Click HERE to view the web page.</a></p>
<p>Mounting Pad Maximum Thickness</p>	<p>.75 in</p>
<p>Clamping Hardware Material</p>	<p>Stainless Steel</p>
<p>Dimension A</p>	<p>1.75 in (44.5 mm)</p>
<p>Dimension E</p>	<p>0.75 in (19.1 mm) *</p>
<p>Dimension H</p>	<p>2.88 in (73.0 mm)</p>
<p>Dimension J</p>	<p>0.50 in (12.7 mm)</p>
<p>Dimension L</p>	<p>3.25 in (82.6 mm)</p>
<p>Dimension W</p>	<p>1.50 in (38.1 mm)</p>
<p>Minimum Conductor</p>	<p>0.128</p>
<p>Maximum Conductor</p>	<p>0.419</p>

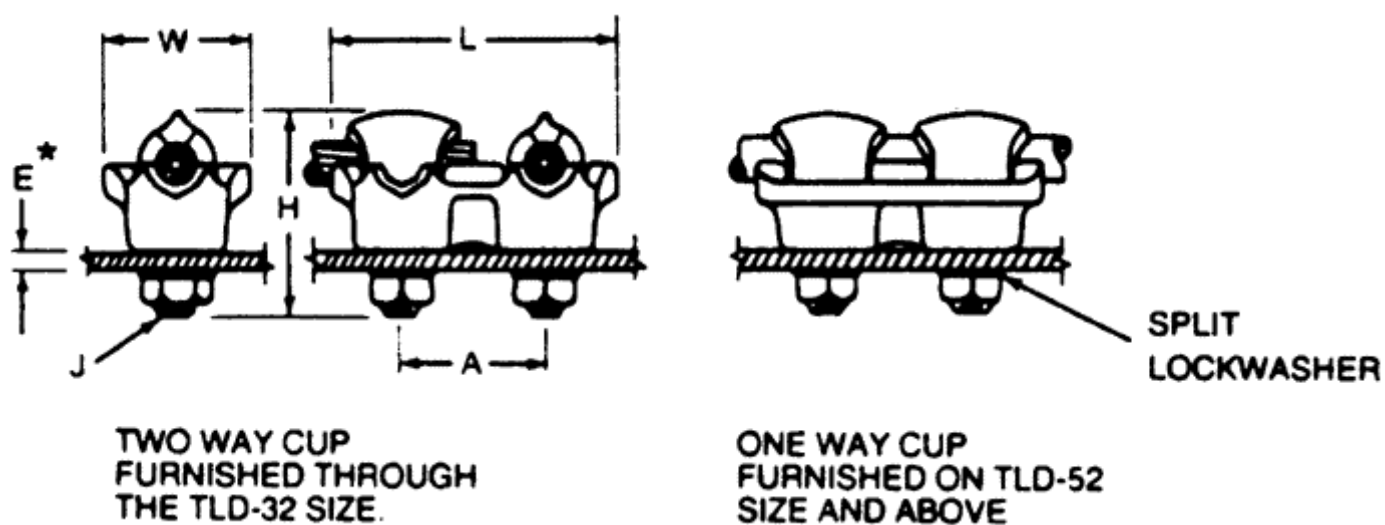
<b>Material Type</b>	Standard
<b>UPC Code</b>	09635933139
<b>Standard Package</b>	30
<b>Standard Package Unit</b>	Each
<b>Min Order Qty</b>	1
<b>Weight / Ea.</b>	0.98 lbs

### Notes

Sizes TLD-32 through TLD-89, can be tandem mounted side by side on NEMA 1 3/4" hole centers drilled for 1/2" bolts.

### Compressed Product Number

TLD32L



[Catalog Home](#)



[Warranty Info](#) | [Trademarks](#) | [Terms of Use](#)

*All contents Copyright © 2007 Hubbell Power Systems, Inc. All rights reserved.*

NOTE: Because Hubbell has a policy of continuous product improvement, we reserve the right to change design and specifications without notice.