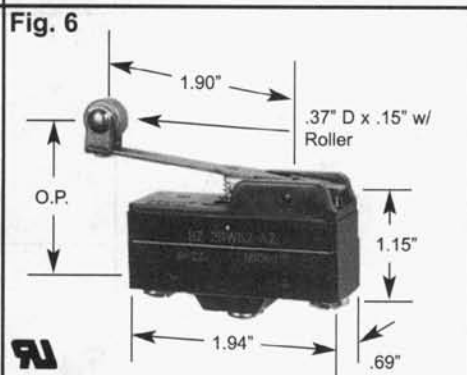
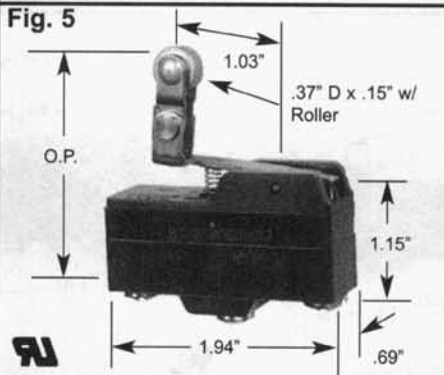
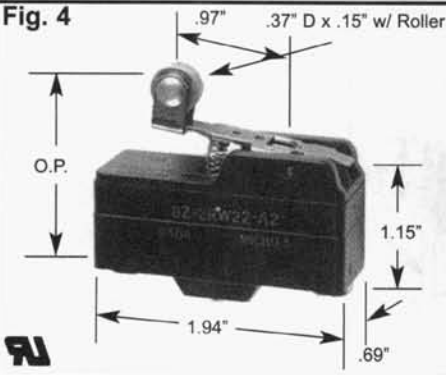
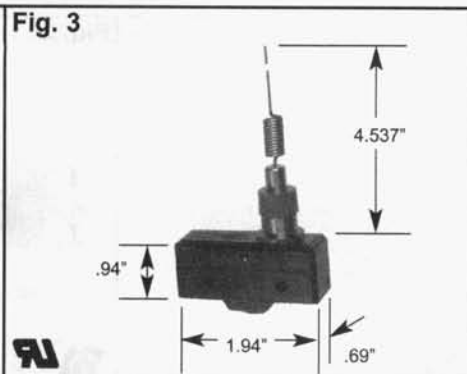
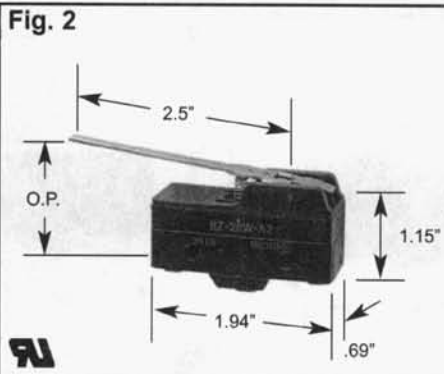
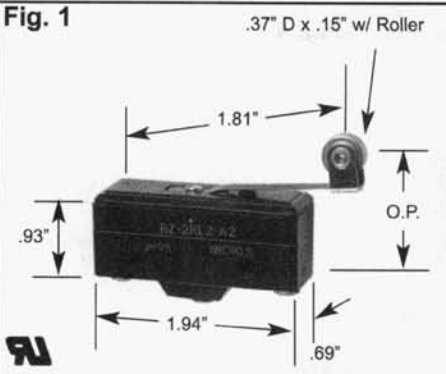


BZ Basic Precision Switches (Con't.)



Actuator Style	Ratings	O.F. (Oz)	R.F. (Oz)	P.T. Max (in)	O.T. Min. (in)	D.T. (in)	O.P. (in)	Part Number*	Fig. No.
Flexible Roller Leaf	15 Amps ¹	5	0.5	----	.060	.050	1.125±.030	BZ-2RL2-A2	1
One-Way Roller Lever	15 Amps ¹	6	1.5	----	.094	.003 - .020	1.625±.015	BZ-2RW826-A2	5
One-Way Roller Lever	15 Amps ¹	8	1.5	----	.060	.015	1.14±.015	BZ-2RW825-A2	5
Roller Lever	15 Amps ¹	3.5	0.75	----	.156	.004 - .040	1.188±.030	BZ-2RW82-A2	6
Short Roller Lever	15 Amps ¹	6	1.5	----	.094	.003 - .020	1.188±.015	BZ-2RW822-A2	4
Short Roller Lever	15 Amps ¹	6	1.5	----	.094	.003 - .020	1.188±.015	BZ-2RW822	4
Short Roller Lever	15 Amps ¹	6	1.5	----	.094	.003 - .020	1.188±.015	BZ-2RW82255-A2-S	4
Spring Wire Lever	15 Amps ¹	----	----	----	----	----	----	BZ-2RQ232-A2	3
Straight Lever	15 Amps ¹	1	----	----	.578	.018 - .145	.750±.060	BZ-2RW863-A2	2
Straight Lever	15 Amps ¹	1	0.125	.328	.216	.007 - .050	.750±.030	BZ-2RW84-A2	2
Straight Lever	15 Amps ¹	2.5	0.5	----	.219	.007 - .050	.750±.030	BZ-2RW80-A2	2
Straight Lever (Adjustable)	15 Amps ¹	2.5	0.5	----	.125	.007 - .050	.670±.880	BZ-2RW899-A2	2

CHARACTERISTICS:
O.F. - Operating Force; R.F. - Release Force; P.T. - Pretravel; O.T. - Overtravel; D.T. - Differential Travel; O.P. - Operating Position.
1 SPDT; 15A-125, 250 or 480 VAC; 1/8 Hp-125 VAC; 1/4 Hp-250 VAC; 1/2 A-125 VDC; UL Code

* **TERMINATION:**
A2 Bottom facing 6-32 NC x .218" screw with cup washers.

Mounting Hole Dimension:

