


LED ALF FLOOD FAMILY	Cat.#		 <b>HUBBELL</b> Outdoor Lighting
	Job	Type	
			Approvals

### SPECIFICATIONS

#### Intended Use:

ALF is excellent for small floodlighting applications such as signs, façade, landscape accent or small area illumination. The compact, low profile size allows the flood to be easily hidden or blend into the landscape environment.

#### Construction:

- Low copper extruded aluminum construction provides long life in outdoor ground mounted applications. Ribbed design adds styling while dissipating LED and driver heat, providing longer component life.
- Tempered and impact resistant glass lens with decorative silk screen seals to housing with silicone gasket
- Dark Bronze powder paint finish provides durable and lasting appearance

#### Optics/Electrical LED:

- Six or twelve LEDs produce 1122 or 2303 lumens at 5000K
- Wide 6 x 5 beam spread covers three times the set back distance with uniform light
- Universal voltage driver is 120-277V\*, 50/60hz, with 10.2 input watts (ALF-6LU) 20.9 input watts (ALF-12LU)
- Ambient operating temperature -40°C to 40°C

\*In Canada, ALF should be used for voltages 120-240 only

#### Installation:

- Knuckle mount: Universal 1/2" 14 NPS swivel knuckle has serrated teeth for sure aiming. Knuckle threads are brass insuring quality installation and corrosion resistance
- Wall mount: Cast aluminum cover/quick mount plate and universal adapter allows easy installation to 3-1/2 or 4" standard junction boxes

#### Listings:

Listed to UL 1598 for use in wet locations

- ALF-6 IP65 • ALF-12 IP64

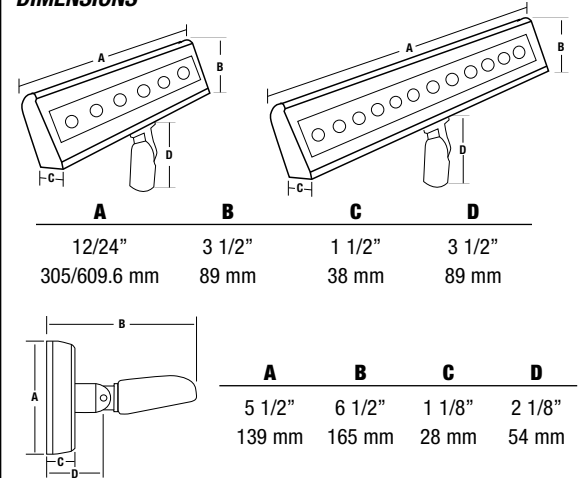
#### Warranty:

Five year limited warranty (for more information visit: <http://www.hubbelloutdoor.com/resources/warranty/>)

### PRODUCT IMAGE(S)



### DIMENSIONS



### CERTIFICATIONS/ LISTINGS



IP64  
IP65

tradeSELECT™

### SHIPPING INFORMATION

Catalog Number	G.W(kg)/CTN	Carton Dimensions			Carton Qty. per Master Pack
		Length Inch (cm)	Width Inch (cm)	Height Inch (cm)	
ALF-6LU	9.7 (4.4)	18.5 (47)	14.3 (36.5)	5.7 (14.5)	2
ALFW-6LU-PC	11.4 (5.2)	18.5 (47)	14.3 (36.5)	5.7 (14.5)	2
ALF-12LU	6.5 (2.97)	24.8 (63)	8.8 (22.5)	3.14 (8)	1

### ORDERING INFORMATION

ORDERING EXAMPLE: ALF-6LU-5K-BZ

Catalog Number	Wattage	Number of LEDs	Voltage <sup>1</sup>	Lumens	Life	LPW	CCT	Weight lbs. (kg)
<b>1/2" KNUCKLE MOUNT</b>								
ALF-6LU-5K-BZ	10.2	6	120-277V	1122	50,000 hrs	110	5000K	4.0 (1.8)
ALF-12LU-5K-BZ	20.9	12	120-277V	2303	50,000 hrs	110	5000K	8.0 (3.6)
<b>WALLMOUNT</b>								
ALFW-6LU-5K-BZ-PC	10.7	6	120V	510	50,000 hrs	48	5000K	4.5 (2.0)

<sup>1</sup> Unit should not be used above 240V in Canada



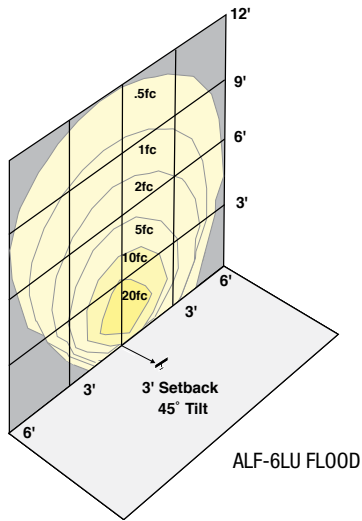
**HUBBELL**  
Outdoor Lighting

Hubbell Outdoor Lighting • 701 Millennium Boulevard • Greenville, SC 29607 • Phone: 864-678-1000

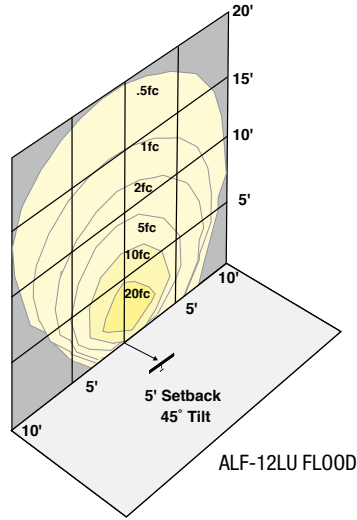
Due to our continued efforts to improve our products, product specifications are subject to change without notice.

© 2017 HUBBELL OUTDOOR LIGHTING, All Rights Reserved • For more information visit our website: [www.hubbelloutdoor.com](http://www.hubbelloutdoor.com) • Printed in USA July 5, 2017 1:08 PM ALF-SPEC

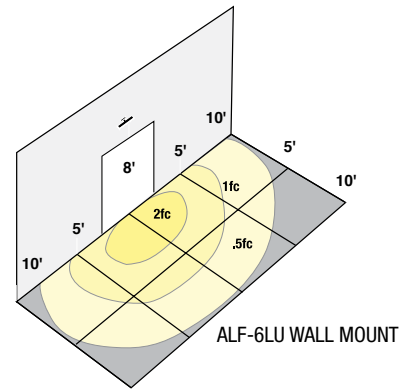
**PHOTOMETRICS**



ALF-6LU FLOOD



ALF-12LU FLOOD



ALF-6LU WALL MOUNT

**PERFORMANCE DATA**

# OF LEDS	DRIVE CURRENT	CCT	LUMENS	BEAM (H X V)	LPW <sup>1</sup>
6	STD. (470mA)	5K	1122	6 x 5	110
12	STD. (470mA)	5K	2303	6 x 5	110

Lumen values are from photometric tests performed in accordance with IESNA LM-79-08. Data is considered to be representative of the configurations shown. Actual performance may differ as a result of end-user environment and application.

**ELECTRICAL DATA**

# OF LEDS	DRIVE CURRENT (mA)	INPUT VOLTAGE (V)	SYSTEM POWER (w)	CURRENT (Amps)	POWER FACTOR
6	STD. (470mA)	120	10.1	.09	.97
		277	12.5	.06	.78
12	STD. (470mA)	120	21.0	.18	.98
		277	25.5	.12	.78



**HUBBELL**  
Outdoor Lighting

Hubbell Outdoor Lighting • 701 Millennium Boulevard • Greenville, SC 29607 • Phone: 864-678-1000

Due to our continued efforts to improve our products, product specifications are subject to change without notice.

© 2017 HUBBELL OUTDOOR LIGHTING, All Rights Reserved • For more information visit our website: [www.hubbelloutdoor.com](http://www.hubbelloutdoor.com) • Printed in USA July 5, 2017 1:08 PM ALF-SPEC