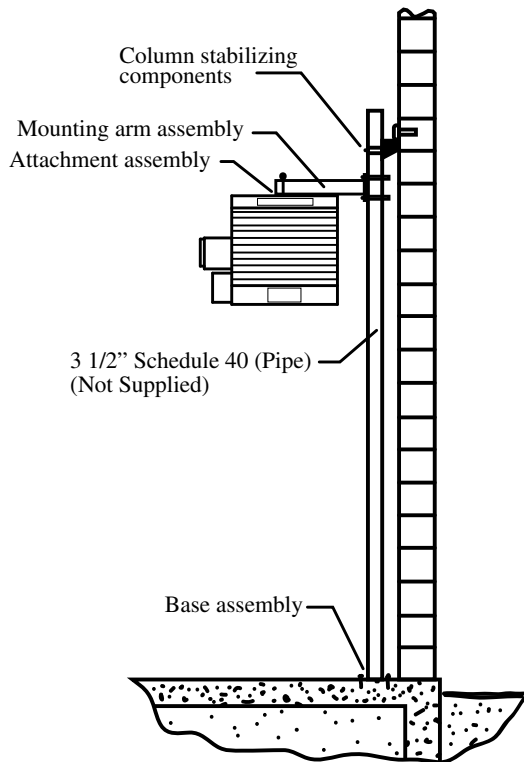


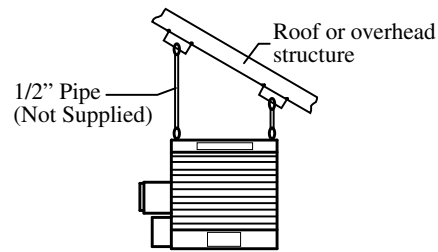
# HLA Series Hazardous Location Fan Forced Unit Heater

## Mounting Bracket Kits



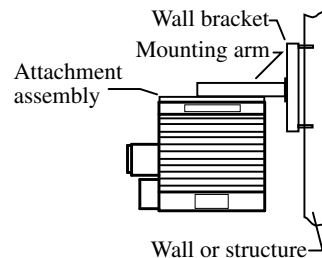
### HLPMPipe Mounting Kit

Particularly useful in buildings with insufficient strength to use other types of mounts. Requires 3 1/2" pipe (4" O.D. - not supplied).



### HLHM Hanging Mounting Kit

Simple and economical if adequate overhead structure exists. Requires 1/2" pipe, cut and threaded (not supplied).



### HLWM Wall Mounting Kit

Ideal for use in buildings that have substantial walls. Arm only can also be bolted directly to structural steel.

UPC# 686334	MODEL	USE WITH HEATERS	WT. (LBS.)	LIST
734288	HLPMP37	3.0 kW - 7.5 kW	37	479
734295	HLPMP10	10.0 kW	38	
734301	HLPMP1525	15.0 kW - 25.0 kW	40	
734318	HLHM	ALL	5	191
734325	HLWMP37	3.0 kW - 7.5 kW	27	399
734332	HLWMP10	10.0 kW	28	
734349	HLWMP1525	15.0 kW - 25.0 kW	29	

## EPET Series and HLT Series Hazardous Location Thermostats For Single Phase



HLT Series



Motor Rating (full load): 3/4 HP @ 125V, 1 1/2 HP @250V  
 Pilot Duty Rating 125VA @ 24VAC  
 NEMA Class Seven Div. 1 Approved  
 Class I Group C & D, Class II Group E, F, & G  
 Not rated for Group B



### Features

- SPDT & DPDT Models
- Heat or cool compatible
- Celsius and Fahrenheit temperature scale
- Bi-Metal or capillary sensor
- Snap action switch
- Casting tapped top and bottom for 3/4" conduit
- 1/2" thick cast aluminum housing
- Dimension 5.75" x 6.375" x 5.57"

UPC# 686334	MODEL	DESCRIPTION	LOAD RATINGS	RANGE	LIST
538077	EPETD8D	DPDT - Bi-Metal	22A @120-277VAC	50-90°F	476
538107	EPETD8S	SPDT - Bi-Metal	22A @120-277VAC	50-90°F	451
528078	EPETP8D	DPDT - Bi-Metal	22A @120-480VAC	50-90°F	490
528061	EPETP8S	SPDT - Bi-Metal	22A @120-480VAC	50-90°F	464
523158	HLT-1	SPDT - Capillary	22A @120-277VAC	40-110°F	500
523165	HLT-2	DPDT - Capillary	22A @120-277VAC	40-110°F	527
Master ctn: 4 pcs, 24 lbs (varies slightly by model), 16" x 14.5" x 6"					
EPET Series incorporate plastic knob & Bi-Metal Sensor housing.					
HLT Series incorporates screwdriver temperature adjustment slot and all metal housing. External bulb and capillary sensor.					