

## Single Pole Devices and Temporary Power

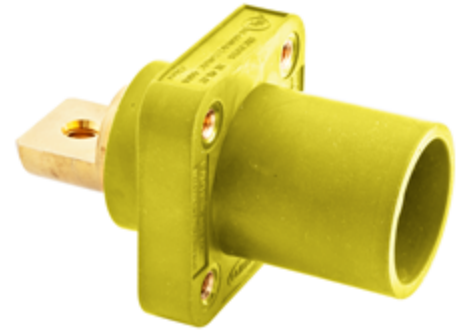
400A, 600V AC/250V DC

## Male Receptacles

# HUBBELL

### Ordering Information

Description	Device Color	UPC	Catalog Number
Bus Bar Mount, mates with 300 and 400A Plugs	Yellow	783585192628	HBLMRBY



### Standards

UL and cUL Listed  
UL Enclosure Types 3R, 4X, 12  
National Electric Code (NEC), ANSI/NFPA 70

### Specifications

Base Compound	Thermoplastic Elastomer
Contact Material	Brass
Retaining Screw Material	Nylon
Mounting Hole	4x #10-32
Termination	5/16-18 UNC-2B Threaded Hole

### Performance

Electrical	
Amperage Rating	400A Maximum
Voltage Ratings	600V AC Maximum; 250V DC Maximum

#### Mechanical

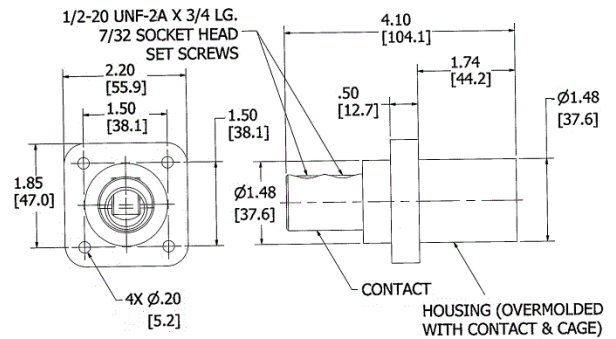
Product Identification	Ratings are a permanent part of device
Terminal Accommodation	#4 to 4/0 AWG

#### Environmental

Flammability	HB per UL94 or CSA 22.2. 0.17
--------------	-------------------------------

### Online Resources

Customer Use Drawing  
eCatalog  
Installation Instructions



Dimensions in Inches (mm)

Hubbell Wiring Device-Kellems • Hubbell Incorporated (Delaware) • 40 Waterview Drive • Shelton, CT 06484

Phone (800) 288-6000 • Fax (800) 255-1031 • Specifications subject to change without notice.

