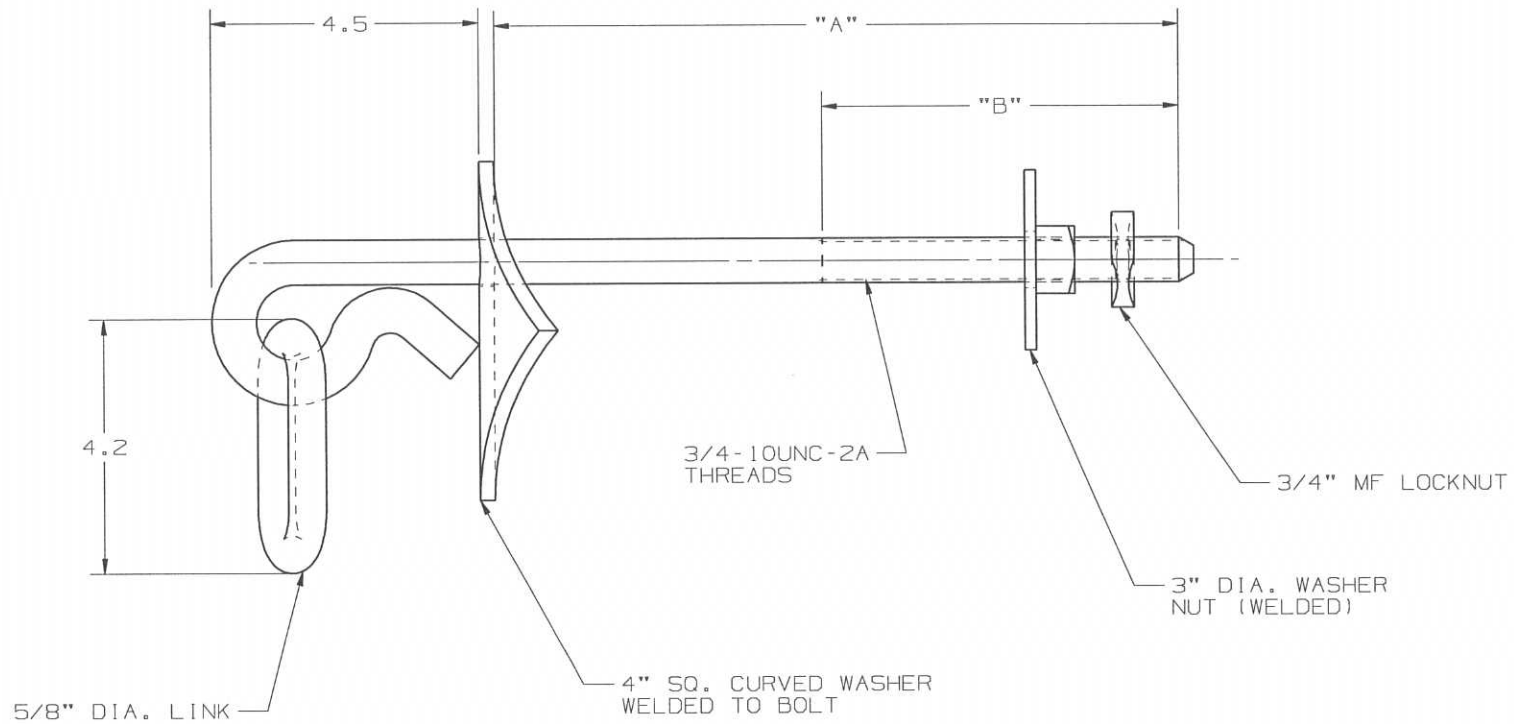


NOTES :

- 1.) MATERIAL: STEEL, HOT DIP GALVANIZED PER ASTM A153.
- 2.) ASSEMBLED COMPLETE AS SHOWN.



| CATALOG NUMBER | "A" | "B" |
|----------------|-----|-----|
| PSC206-0820    | 12" | 6"  |
| PSC206-0821    | 14" | 7"  |
| PSC206-0822    | 16" | 8"  |

|               |          |                             |   |                        |
|---------------|----------|-----------------------------|---|------------------------|
| LATEST EC NO: | REV.     | DATE                        | CHANGED BY                                    | RESP ENGINEER          |
| ---           | C        | 12/29/11                    | JJL   | JJL                    |
|               |          |                             | DO NOT SCALE THIS DWG                         | THIRD ANGLE PROJECTION |
|               |          |                             | ISO DUAL DIMENSIONS<br>IN=INCH, MM=MILLIMETER |                        |
| DRN BY:       | DATE     | TITLE:                      |   |                        |
| JJL           | 08-13-10 | SHIELD WIRE SUPPORT BRACKET |   |                        |
|               |          |                             |   | SIZE<br>B              |



CHANGE



DWG NO: SA206-0820

CONFIDENTIAL: THIS DRAWING AND ITS CONTENTS ARE CONFIDENTIAL AND THE EXCLUSIVE PROPERTY OF HUBBELL / A.B. CHANCE COMPANY. NO PUBLICATION, DISTRIBUTION OR COPIES MAY BE MADE WITHOUT WRITTEN CONSENT BY HUBBELL / A.B. CHANCE COMPANY. © 2001 HUBBELL/A.B. CHANCE. UNPUBLISHED - ALL RIGHTS RESERVED UNDER THE COPYRIGHT LAWS