

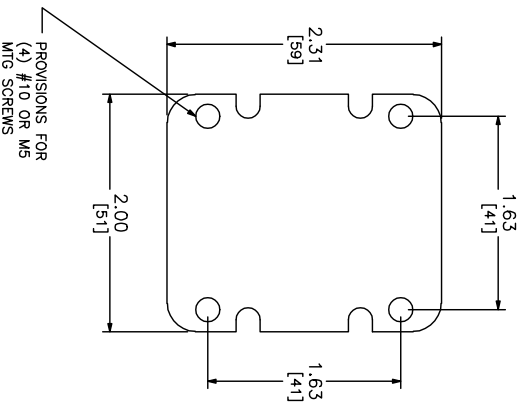
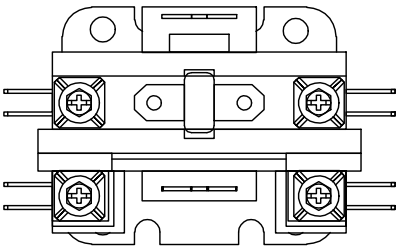
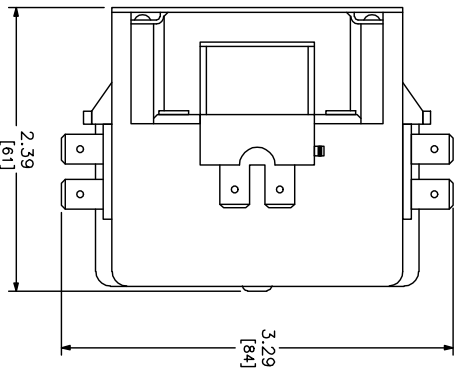
1-POLE DEFINITE PURPOSE - 300 VAC, 50-60 HZ

FULL LOAD AMPERES	
TYPE	FLA
11	20 FLA
21	25 FLA
31	30 FLA
41	40 FLA

COIL VOLTAGE	VOLTAGE	
CODE (1)	60 HZ	50 HZ
V14	24	24
V02	120	110
V09	208-240	220
V04	277	-

QUICK CONNECT TERMINALS AND BINDER HEAD SCREWS FOR EASY WIRING.

* = BOX LUGS #14-#4 AWG WIRE SIZE



CATALOG NUMBER: 8910-DP(2)(1)
 RATINGS: SEE CHART
 UL FILE/CN: UL E78351/NLDX2
 CSA FILE/CLASS: CSA 172334/321104
 MEETS STANDARDS: -
 WEIGHT: 0.58 LB
 WIRE SIZE: #16-#8
 POWER - 22LB - IN (20 TO 30 FLA) 40LB - IN (40 FLA)
 TERMINAL TORQUE: (4) #10 OR M5 SCREWS
 MOUNTING HWD: (4) #10 OR M5 SCREWS

DEFINITE PURPOSE CONTACTOR (1 POLE)
 CLASS 8910 TYPE DP (2)(1)
 SERIES C



by Schneider Electric

DWG# E0310001-01-C

DUAL DIMENSIONS: INCHES
 MILLIMETERS