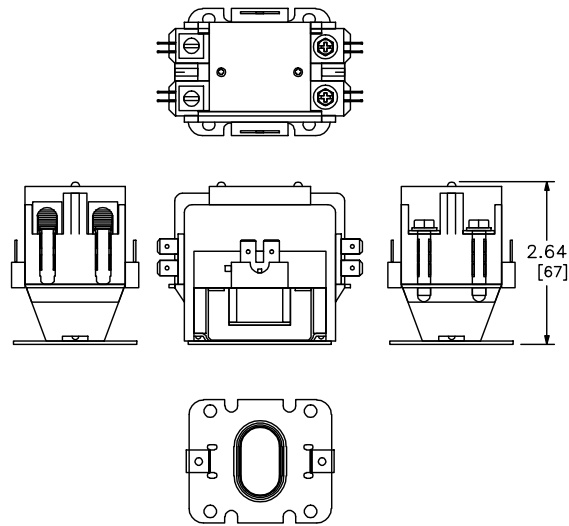
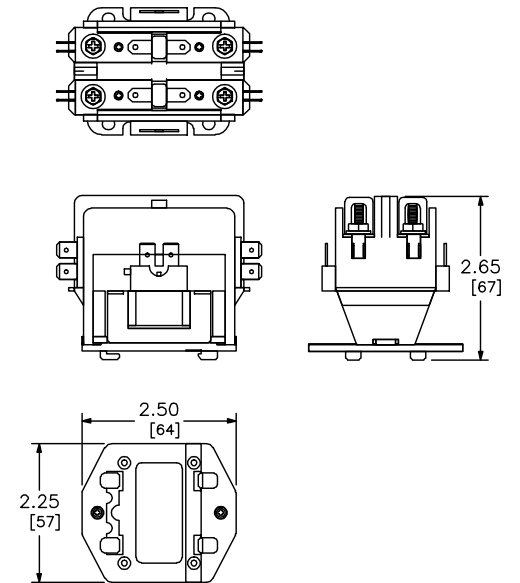


NO COVER NO DIN

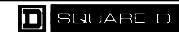


WITH COVER NO DIN



NO COVER WITH DIN

CONTACTOR, 2 POLE  
8910DP 20-40A



by Schneider Electric

DWG# PWCTR-LP5F-0002  
NO.