



Product Datasheet


ANDERSON FARGO

VACL50012 -- Terminal, Compression



VERSAtile Aluminum Compression Terminal

Product Specifications

<p>Series Image (Lugs)</p>	 <p>VACL Series Aluminum Compression Lug Tin Plated - UL Listed VERSAtile (die and VC tools)</p>
Material	Aluminum Alloy--Tin Plated
PDF Catalog Page	Click HERE to view the web page.
Plating	Yes
Inhibitor	Yes
Number of Pad Holes	1
Pad Bolt Diameter	0.50 in (12.7 mm)
VersaCrimp Conductor Size Minimum	.522 in
VersaCrimp Conductor Size Maximum	.813 in
Die Type Tooling Crimp Conductor Size Minimum	.811 in
Die Type Tooling Conductor Size Maximum	.813 in
Lug Conductor Type	AAAC, AAC, ACAR, ACSR, Compact, CU
Style	Pressed Tubing
Spade Holes	1
Bolt Diameter	0.50 in (12.70 mm)
Crimp Method	VERSAtile (accommodates conventional and Anderson tools)
UL Listed	Yes
Body Material	Aluminum
Dimension A	4.6875 in (119 mm)
Dimension B	2.3125 in (59 mm)
Dimension C	1.68 in (43 mm)
Dimension D	0.375 in (10 mm)
UPC Code	09635933423
Standard Package	6
Standard Package Unit	Each
Min Order Qty	6

Weight / Ea.

0.392 lbs

Material Type

Non-Standard

Notes

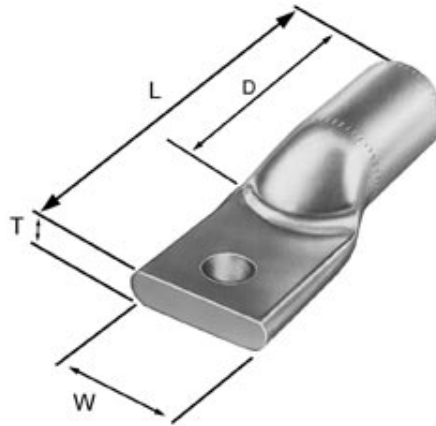
When used with die type compression tools, use with maximum size conductor only.

Features

Rated at 34.5 KV. UL listed for aluminum or copper conductors. CSA certified.

Compressed Product Number

VACL50012



VACL/VACS/VACT – Anderson/Burndy

TABULATION CONTINUED

Catalog Number VACL [Ⓢ] VACS [Ⓢ] VACT [Ⓢ]	ANDERSON™ VERSA-CRIMP® COMPRESSION TOOLS (Crimps per Connection)					CONVENTIONAL COMPRESSION DIE TOOLING (Crimps per Connection)													
	V-C Tools Wire Range (AWG or MCM)	VERSA-CRIMP Tools (Number of Crimps)				Wire Size (AWG or MCM)	Die Color Code [Ⓢ]	Die Index No.	Burndy (Crimps)							Burndy Indenter Tools (1 Crimp)			
		VC6 500	VC6 350	VC6 [Ⓢ]	VC6 FT [Ⓢ]				VC8 AL NIBS	Tool Y34A	Tools Y35 Y39	Tool Y34B	Tool Y48B	Tool Y486RB	Tool MY-29	Tool Y34A (Indenter)	Tool Y34B (Indenter)	Tool Y48B (Indenter)	Tool Y486RB (Indenter)
-8	#8 AL/CU	1	1			#8 AL/CU	Blue	374		U8CABT (2)					#8 (1)				
-6	#6 AL/CU	1	1			#6 AL/CU	Gray	346	A6CAB (1)	U6CABT (1)	B6CD (1)				#6 (1)	A4CD (Y34PA)	B4CD (Y34PA)		
-4	#4 AL/CU	2	2			#4 AL/CU	Green	375	A4CAB (1)	U4CABT * (1)	B4CD (1)	C4CAB (1)			#4 (1)	A1CD (Y34PA)	B1CD (Y34PA)		
-2	#6-#2 AL/CU	2	2	2	2	#2 AL/CU	Pink	348	A2CAB (1)	U2CABT (1)	B2CD (1)				#2 (2)	A26D (Y34PA)	B26D (Y34PA)		
-1	#8-#1 AL/CU	2	2	2	2	#1 AL/CU	Tan	296	A2SAR (1)	U2SART * (1)	B1CD (1)				#1 (2)	A27D (Y34PR-5)	B27D (Y34PR-5)		
-1/0	#8-1/0 AL/CU	2	2	2	2	1/0 AL/CU	Tan	296	A2SAR (1)	U2SART * (1)	B25D (1)				1/0 (2)	A27D (Y34PR-5)	B27D (Y34PR-5)		
-2/0	#4-2/0 AL/CU	2	2	2	2	2/0 AL/CU	Olive	297	A26AR (2)	U26ART (2)	B25D (1)				2/0 (2)	A29D (Y34PR-5)	B29D (Y34PR-5)		
-3/0	#4-3/0 AL/CU	2	2	2	2	3/0 AL/CU	Ruby	467	A27AR (2)	U27ART (2)	B27D (1)				3/0 (2)	A30D (Y34PR-5)	B30D (Y34PR-5)		
-4/0	#2-4/0 AL/CU	3	3	2	2	4/0 AL/CU	White	298	A28AR (2)	U28ART (2)	B28D (1)	C28AR (1)	F28AR (1)		4/0 (2)	A31D (Y34PR-5)	B31D (Y34PR-5)		
-250	1/0-250 AL/CU	3	3	2	2	250 AL/CU	Red	324	A29AR (2)	U29ART (2)	B29D (1)	C29AR (1)	F29AR (1)			A32D (Y34PR-5)	B32D (Y34PR-5)		
-300	1/0-300 AL/CU	3	3	2	2	300 AL/CU	Blue	470	A30AR (2)	U30ART (2)	B30D (2)	C30AR (1)	F30AR (1)			A34D (Y34PR-11)	No Die	C34D (Y48PR-1)	F34D (Y48PR-1)
-350 [Ⓢ]	2/0-350 AL/CU	4		3	3	350 AL/CU	Brown	299		U31ART (2)	B31D (2)	C31AR (1)	F31AR (1)					C35D (Y48PR-1)	F35D (Y48PR-1)
-400 [Ⓢ]	3/0-400 AL/CU	5		4 O'lap	4 O'lap	400 AL/CU	Green	472		U32ART (4)	B32D (2)	C32AR (2)	F32AR (2)					C36D (Y48PR-1)	F36D (Y48PR-1)
-500 [Ⓢ]	4/0-500 AL/CU	7		4 O'lap	4 O'lap	500 AL/CU	Green	472		U32ART (4)	No Die Required (2)	C32AR (2)	F32AR (2)						
-600	350 - 600 AL 350 - 500 CU				4	3	600 AL	Pink	300		U34ART (4)		C34AR (2)	F34AR (2)					
-750	500 - 750 AL 500 CU				4	3	750 AL	Pink	300		U34ART (4)		C34AR (2)	F34AR (2)					
-1000	750-1000 AL					3	1000 AL	Brown	302				C44AR (2)	F44AR (2)				C46D (Y48PR-1)	F46D (Y48PR-1)

[Ⓢ] TBM-8 Tool ONLY
^{*} Anderson HC-12 Dies, Burndy's Y-35 Dies and Blackburn's JB-12 Dies are interchangeable.
[Ⓢ] "VACL" Lug sizes -350 to -500 take 1 less crimp (VC6 Tools) than shown.
[Ⓢ] Color code is for Anderson and Burndy dies only. Use the recommended die number (NOT die color) for Blackburn, Kearney & T&B Hyd. Tools/Dies.
[Ⓢ] The "VACL" lugs are qualified for UL "HV" applications.
[Ⓢ] The "VACS" sleeves and "VACT" tee connectors are for AL to AL or AL to CU connections ONLY. (NOT for CU to CU connections).
^{*} Not UL Listed-pending completion of test.

VACL/VACS/VACT – Anderson/Others

TABULATION CONTINUED

Catalog Number VACL ③ VACS ④ VACT ⑤	ANDERSON™ VERSA-CRIMP® COMPRESSION TOOLS (Crimps per Connection)						CONVENTIONAL COMPRESSION DIE TOOLING (Crimps per Connection)										
	V-C Tools Wire Range (AWG or MCM)	VERSA-CRIMP Tools (Number of Crimps)					Wire Size (AWG or MCM)	Die Color Code ②	Blackburn (Crimps)		Kearney (Crimps)			Thomas & Betts (Crimps)			
		*VC6 500	VC6 350	VC6 ①	VC6 FT ①	VC8 AL NIBS			Tool OD-58	Tool JB-12A	Die	Tools (No. of Crimps)			Tools TBMS TBMS	Hyd. Tools	
									Die	Die		O-52	WH-1 PH-1	WH-2 PH-2	Die	Die	Die
-8	#8 AL/CU	1	1			#8 AL/CU	Blue	BY17C (2)	B73CH (1)	1/4	(2)			Blue (1)	24 (1)	24 (1)	
-6	#6 AL/CU	1	1			#6 AL/CU	Gray	BY19C (3)	B74CH (1)	5/16	(3)	(1)	(1)	Gray (2)	29 (2)	29 (2)	
-4	#4 AL/CU	2	2			#4 AL/CU	Green	BY21C (3)	U4CABT * (1)	3/8	(3)	(2)	(2)	Green (2)	37 (2)	37 (2)	
-2	#6-#2 AL/CU	2	2	2	2	#2 AL/CU	Pink	BY23C (3)	B06CH (1)	1/2	(3)	(2)	(2)	Pink (2)	45 (2)	45 (2)	
-1	#8-#1 AL/CU	2	2	2	2	#1 AL/CU	Tan	BY23C (4)	U25ART * (1)	9/16	(4)	(2)	(2)	Tan (2)	50 (2)	50 (2)	
-1/0	#8-1/0 AL/CU	2	2	2	2	1/0 AL/CU	Tan	BY25C (4)	U25ART * (1)	9/16	(4)	(2)	(2)	Tan (2)	50 (2)	50 (2)	
-2/0	#4-2/0 AL/CU	2	2	2	2	2/0 AL/CU	Olive	BY31C (4)	B09CH (2)	5/8-1	(4)	(3)	(3)	Olive (2)	54 (1)	54H (2)	
-3/0	#4-3/0 AL/CU	2	2	2	2	3/0 AL/CU	Ruby	BY27C (5)	B26CH (2)	11/16	(5)	(3)	(3)	Ruby (2)	62 (1)	62 (1)	
-4/0	#2-4/0 AL/CU	3	3	2	2	4/0 AL/CU	White	BY35C (5)	B10CH1 (2)	7/8	(5)	(3)	(3)	*White (4)	71H (3)	71H (3)	
-250	1/0-250 AL/CU	3	3	2	2	250 AL/CU	Red	BY37C (5)	B11CH (2)	8/0	(5)	(3)	(3)	*Red (5)	79H (3)	76 (2)	
-300	1/0-300 AL/CU	3	3	2	2	300 AL/CU	Blue		B61EA (1)	29/32		(2)	(2)	*Blue (5)	87H (3)	87H (3)	
-350	2/0-350 AL/CU	4		3	3	350 AL/CU	Brown		B12CH1 (2)	1-1/8-1		(2)	(2)	*Brown (5)	94H (3)	94H (3)	
-400	3/0-400 AL/CU	5		4	4	400 AL/CU	Green		B80EA (2)	1-1/8-1		(2)	(2)		99H (3)	99H (3)	
-500	4/0-500 AL/CU	7		4	4	500 AL/CU	Green		B80EA (3)	1-1/8-2		(2)	(2)		96H (4)	96 (2)	
-600	350-600 AL 350-500 CU				4	600 AL	Pink		B20AH (3)	1-5/16			(4)		106H (5)	106H (5)	
-750	500-750 AL 500 CU				4	750 AL	Pink		B20AH (3)	1-5/16			(4)		106H (5)	106H (5)	
-1000	750-1000 AL					1000 AL	Brown										

* TBM-8 Tool ONLY

* Anderson HC-12 Dies, Bunnys Y-35 Dies and Blackburn's JB-12 Dies are interchangeable.

① "VACL" Lug sizes -350 to -500 take 1 less crimp (VC6 Tools) than shown.

② Color code is for Anderson and Bunnys dies only. Use the recommended die number (NOT die color) for Blackburn, Kearney & T&B Hyd. Tools/Dies.

③ The "VACL" lugs are qualified for UL "HV" applications.

④ The "VACS" sleeves and "VACT" tee connectors are for AL to AL or AL to CU connections ONLY. (NOT for CU to CU connections).

* Not UL Listed-pending completion of test.

[Catalog Home](#)



[Warranty Info](#) | [Trademarks](#) | [Terms of Use](#)

All contents Copyright © 2007 Hubbell Power Systems, Inc. All rights reserved.

NOTE: Because Hubbell has a policy of continuous product improvement, we reserve the right to change design and specifications without notice.