

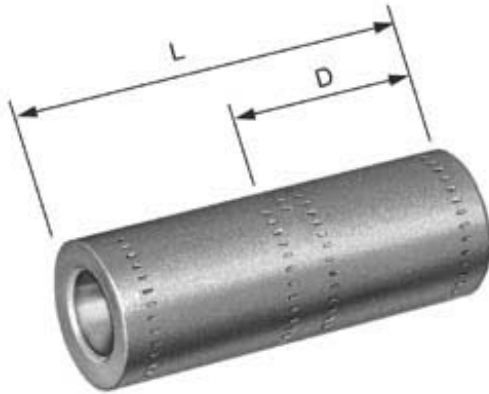


[Catalog Home](#)

Product Datasheet

ANDERSON FARGO

VACS300 -- Minimum Tension Compression Splice



Minimum Tension versatile Compression Splice

Product Specifications

Splice Type



VERSAtile™
Compression Splices
(For use with Die type
and VersaCrimp tools)

Versatile Compression Series



VACS Series
Compression Splice
VERSAtile™
Minimum Tension
Aluminum or Copper
Conductor

PDF Catalog Page

[Click HERE to view the web page.](#)

Conventional Tooling Conductor Size Minimum

0.629 in

Conventional Tooling Conductor Size Maximum

0.631 in

VersaCrimp Conductor Size Minimum

0.368 in

VersaCrimp Conductor Size Maximum

0.631 in

Material

Tin Plated Aluminum

Conventional Tooling Minimum Conductor

.629 in

Conventional Tooling Maximum Conductor

.631 in

Conventional Tooling Conductor Size

300 MCM Al/Cu

VersaCrimp Conductor Range

1/0-300 MCM Al/Cu

VersaCrimp Conductor Minimum	.368 in
VersaCrimp Conductor Maximum	.631 in
Dimension D	1.62 in (41 mm)
Dimension L	3.38 in (86 mm)
Length before Compression	3.38 in (86 mm)
Compression Method	VersaCrimp or Conventional Die Tooling
UL Listed	Y
Inhibitor Loaded	Yes
Color Code	Blue
Material Type	Non-Standard
UPC Code	09635933439
Standard Package	6
Standard Package Unit	Each
Min Order Qty	6
Weight / Ea.	0.196 lbs

Notes

For use with either VersaCrimp or conventional tooling.

Features

For AL to AL, AL to CU or CU to CU connections

Compressed Product Number

VACS300

[Catalog Home](#)



[Warranty Info](#) | [Trademarks](#) | [Terms of Use](#)

All contents Copyright © 2007 Hubbell Power Systems, Inc. All rights reserved.

NOTE: Because Hubbell has a policy of continuous product improvement, we reserve the right to change design and specifications without notice.