

99W75-S

Item Description

30 Amp, 250 Volt 3-phase, NEMA L15-30, 3P, 4W, Locking Single Outlet, Industrial Grade, Grounding, Wetguard - YELLOW

Technical Information

Electrical Specifications

Amperage: 30 A

Voltage: 250 VAC

Pole: 3

Wire: 4

Grounding: Grounding

Dielectric Voltage: Withstands 2000V per UL498

Current Limiting: Full Rated Current

Temperature Rise: Max 30C after 250 cycles OL at 200 percent rated current

Phase: 3-Phase

Environmental Specifications

Flammability: Rated V-2 per UL 94 (wiring module)

Operating Temperature: -40°C to 60°C

Enclosure Rating: NEMA 4, 4X, 12 IEC IP66

Environment: Wet

Material Specifications

Cover/Lid: Valox PBT

Wiring Module Mounting Cup: Valox PBT

Wiring Module: Nylon

Cover Gasket: Santoprene TPV

Torsion Spring Mechanism: Stainless Steel

Blades/Contacts, Terminal Clamps: Electroless Nickel-coated Brass

Terminal Screws: Electroless Nickel-coated Brass

Mounting & Assembly Screws: Stainless steel, non-magnetic

Mechanical Specifications

Terminal Accom.: #12 AWG to #8 AWG

Terminal ID: Brass-Hot, Green-Ground, Silver-Neutral

Product ID: Ratings and NEMA I.D. permanently marked on device

Product Features

NEMA: L15-30R

Color: Yellow

Device Type: Locking Outlet

Brand: Wetguard

Standards and Certifications

NEMA: WD-6

ANSI: C-73

UL: 498

CSA: C22.2 No. 42

NOM: 057



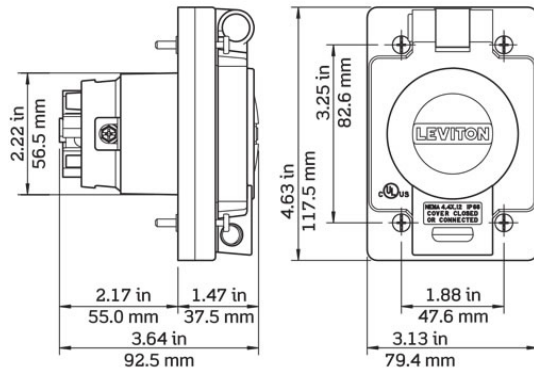
Color:  Yellow

UPC Code: 07847751976

Country Of Origin: United States

NEMA:
L15-30R





SPECIFICATION SUBMITTAL

JOB NAME:	CATALOG NUMBERS:	
<input type="text"/>	<input type="text"/>	<input type="text"/>
JOB NUMBER:	<input type="text"/>	<input type="text"/>

Leviton Manufacturing Co., Inc.

201 North Service Road, Melville, NY 11747

Teléfono: +1-800-323-8920 · FAX: +1-800-832-9538 · Tech Line (8:30AM-7:30PM E.S.T. Monday-Friday): +1-800-824-3005

Leviton Manufacturing of Canada, Ltd.

165 Hymus Boulevard, Pointe Claire, Quebec H9R 1E9 · Telephone: +1-800-469-7890 ·

FAX: +1-800-824-3005 · www.leviton.com/canada

Leviton S. de R.L. de C.V.

Lago Tana 43, Mexico DF, Mexico CP 11290 · Tel.: (+52)55-5082-1040 · FAX: (+52)5386-

1797 · www.leviton.com.mx

Visit our Website at: www.leviton.com

© 2018 Leviton Manufacturing Co., Inc. Todos los derechos reservados. Subject to change without notice.

Leviton has a global presence.

If you would like to know where your local Leviton office is located please go to:

www.leviton.com/international/contacts/

