

PowerPact H-, J-, and L-Frame Circuit Breakers

Catalog
0611CT1001 R02/16
2015
Class 0611



CONTENTS

Description	Page
Catalog Numbering	7
General Information	11
Circuit Breakers	24
Automatic Switches	45
Motor Circuit Protection	49
Energy Management	61
Trip Units	83
Accessories for Micrologic™ Trip Units	108
Accessories and Auxiliaries	115
Circuit Breaker Mounting and Connections	138
Installation Recommendations	150
Wiring Diagrams	157
Circuit Breaker Dimensions	165
Accessory Dimensional Drawings	188
Trip Curves	192

PowerPact H-, J-, and L-Frame Circuit Breakers

PowerPact™ H-, J-, and L-Frame Circuit Breakers

SECTION 1: CATALOG NUMBERING	7
PowerPact™ with Micrologic™ Circuit Breakers	7
Catalog Numbering	8
SECTION 2: GENERAL INFORMATION	11
Applications	11
Mission Critical Circuit Breakers	13
Flexible Configurations	15
General Characteristics	16
PowerPact H-, J-, and L-frame Circuit Breaker Trip Units	22
SECTION 3: CIRCUIT BREAKERS	24
Dual-Break Rotating Contacts	24
High Ampere Interrupting Ratings (AIR)	24
Internal Operating Mechanism.....	24
Handle Position Indication	25
Circuit Breaker Ratings	25
Special Applications.....	27
H- and J-Frame Catalog Numbers.....	29
L-Frame Circuit Breaker Catalog Numbers.....	39
SECTION 4: AUTOMATIC SWITCHES	45
Automatic Switch Functions	45
Specifications.....	46
Catalog Numbers.....	47
SECTION 5: MOTOR CIRCUIT PROTECTION	49
General Information	49
Motor Branch Circuit Protection Function	49
Trip Class of a Overload Relay Device.....	50
Asynchronous-Motor Starting Parameters.....	50
Motor-Feeder Solutions	50
Electronic Motor Circuit Protectors (AC Only).....	52
Micrologic 1.3 M Electronic Trip Units for Instantaneous Protection Only (L-Frame Circuit Breakers Only)	55
Micrologic 2.2 M and 2.3 M Electronic Trip Units.....	56
Indications.....	57

PowerPact™ H-, J-, and L-Frame Circuit Breakers

- SECTION 6: ENERGY MANAGEMENT 61**
 - Energy Management Using the Smart System 61
 - Smart System Communication Components 63
 - Power Meter Functions 64
 - Display Functions 64
 - Measurement Function 65
 - FDM121 Display 72
 - FDM128 Display 77

- SECTION 7: TRIP UNITS 83**
 - Available Trip Units 83
 - Protection of Distribution Systems 86
 - Smart System Communication Wiring System 95
 - IFE Ethernet Interface 97
 - IFM Modbus Communication Interface 100
 - I/O Application Module 103
 - Electrical Asset Manager Configuration Engineering Tool (Ecoreach™) 106

- SECTION 8: ACCESSORIES FOR MICROLOGIC™ TRIP UNITS 108**
 - NSX Cord 108
 - Breaker Status and Control Module (BSCM) 108
 - 24 Vdc Power-Supply Terminal Block 109
 - External 24 Vdc Power-Supply Module 109
 - Battery Module 110
 - Pocket Tester 110
 - Isolated Modbus Repeater Module 110
 - UST Test Adapter (UTA) Tester for Test and Maintenance 111
 - Universal Logic Plug System 112
 - External Neutral Current Transformer (ENCT) 113
 - External Neutral Voltage Tap (ENVT) 113

PowerPact™ H-, J-, and L-Frame Circuit Breakers

SECTION 9: ACCESSORIES AND AUXILIARIES	115
Communication Network.....	115
Accessory Connections	118
Auxiliary and Alarm Indication Contacts	118
SDx and SDTAM Modules for Micrologic Trip Units	120
Shunt Trip (MX) and Undervoltage Trip (MN)	122
Motor Operator.....	123
Add-On Ground-Fault Module (GFM) (H- and J-Frame Only)	125
Earth Leakage Module (ELM) (H- and J-Frame Only)	126
Rotary Operating Handles	127
Class 9422 Flange-Mounted Variable-Depth Operating Mechanism.....	130
Locking Systems.....	130
Manual Mechanical Interlocking Systems.....	131
Sealing Accessory	134
Front-Panel Escutcheons.....	134
Toggle Collars (For Drawout Mounting).....	135
Toggle Boot	135
Handle Extension.....	135
Circuit Breaker Enclosures and Enclosure Accessories	136
SECTION 10: CIRCUIT BREAKER MOUNTING AND CONNECTIONS	138
Mounting Configurations	138
Unit-Mount Circuit Breakers.....	139
I-Line™ Circuit breakers	140
Connection.....	144
SECTION 11: INSTALLATION RECOMMENDATIONS	150
Operating Conditions	150
Installation in Equipment.....	153
Safety Clearances and Minimum Distances	153
Safety Clearance	154
Control Wiring	154
24 Vdc Power Supply Module.....	156
SECTION 12: WIRING DIAGRAMS	157

PowerPact™ H-, J-, and L-Frame Circuit Breakers

SECTION 13: CIRCUIT BREAKER DIMENSIONS 165

SECTION 14: ACCESSORY DIMENSIONAL DRAWINGS 188

SECTION 15: TRIP CURVES 192

CATALOG NUMBERS 258

GLOSSARY 264

Section 1—Catalog Numbering

PowerPact™ with Micrologic™ Circuit Breakers

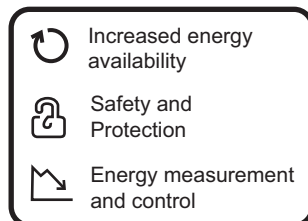
The PowerPact H-, J-, and L-frame circuit breakers are designed to protect electrical systems from damage caused by overloads and short circuits. H- and J-frame circuit breakers are available with either thermal-magnetic or Micrologic electronic trip units. L-frame circuit breakers are available with Micrologic electronic trip units only.



Direct Access to Energy Management

The new generation PowerPact with Micrologic circuit breakers set the standard with direct access to energy management. Integrated metering enhances their protective functions. For the first time, Schneider Electric™ users can monitor energy from 15 to 3000 A, offering new performance in a remarkably compact device.

- Smart – A meter in every breaker
- Safe – Combines safety and performance in one compact device
- Simple – To select, install, and use



PowerPact H-, J-, and L-Frame Circuit Breakers Catalog Numbering

Catalog Numbering

Table 1: Circuit Breaker Catalog Numbers

Segment	Character	Description	—	J	L	L	3	6	250	W	T	—	—	—	—	
Brand	—	Square D														
	N	Schneider Electric														
Frame	H	H-Frame														
	J	J-Frame														
	L	L-Frame														
Performance Level (kA)		See Table 2														
Terminations	L	Lugs Line/Load Side														
	M	Lugs Line Side														
	P	Lugs Load Side														
	F	Bus Bar														
	A	A-Line														
	S	Rear Connected														
	N	Plug-in														
	D	Drawout														
	K	Reverse I-Line														
Poles	2	Two Pole														
	3	Three Pole														
	4	Four Pole														
Voltage	6	600 V														
	4	480 V														
Amperage	060	60 A														
	100	100 A														
	150	150 A														
	250	250 A														
	400	400 A														
	600	600 A														
	000	Switch or Frame Only														
Mission Critical	W	(J- and L-frame with D, G, J and L-interrupting ratings)														
Trip Unit	See Table 3															
I-Line Phasing																
Accessory Suffix Code	See Table 4															

Table 2: Interrupting Rating

	UL® / CSA® / NOM®					IEC 647-2 Icu/Ics					
	240 Vac	480 Vac	600 Vac	250 Vdc ¹	500 Vdc ²	220/240 Vac	380/440/415 Vac	500/525 Vac	690 Vac	250 Vdc ¹	500 Vdc ³
D	25 kA	18 kA	14 kA	20 kA	—	25/25 kA	18/18 kA	14/14 kA	—	20 kA	20 kA
G	65 kA	35 kA	18 kA	20 kA	20 kA	65/65 kA	35/35 kA	18/18 kA	—	20 kA	20 kA
J	100 kA	65 kA	25 kA	20 kA	—	100/100 kA	65/65 kA	25/25 kA	—	20 kA	20 kA
L	125 kA	100 kA	50 kA	20 kA	50 kA	125/125 kA	100/100 kA	50/50 kA	—	20 kA	20 kA
R	200 kA	200 kA	100 kA	—	—	150 kA	125 kA	75 kA	20 kA	—	—

¹ 250 Vdc ratings only available with PowerPact H or J circuit breakers with thermal-magnetic trip units (not including MCP).

² UL 500 Vdc ratings only available with PowerPact H-, J-, and L-frame circuit breakers with thermal-magnetic trip units (not including MCP).

³ IEC 500 Vdc rating only available on PowerPact J-frame circuit breakers.

PowerPact H-, J-, and L-Frame Circuit Breakers Catalog Numbering

Table 3: Trip Unit Numbering

Trip Unit Type	Character	Description
Micrologic Trip Units	U31 X	LI Standard Protection
	U33X	LSI Standard Protection
	U43X	LSI plus Ammeter
	U44X	LSIG plus Ammeter
	U53X	LSI plus Energy Management
	U54X	LSIG plus Energy Management
	M37X	Magnetic Only (L-Frame Only)
	M38X	Motor Protector Circuit Breaker
	S40X	400 A Molded Case Switch (L-Frame Automatic Switch)
	S60X	600 A Molded Case Switch (L-Frame Automatic Switch)
	F40	400 A L-Frame Only (No Trip Unit)
F60	600 A L-Frame Only (No Trip Unit)	
Thermal-Magnetic Trip Units	—	Standard Fixed Trip Unit (Suitable for reverse connection)
	F06	60 A H-Frame Only (No trip unit)
	F15	150 A H-Frame Only (No trip unit)
	F25	250 A J-Frame Only (No trip unit)
	T	Complete Circuit Breaker (Frame + removable trip unit)
	S15	150 A Molded Case Switch (H-Frame automatic switch)
	S17	175 A Molded Case Switch (J-Frame automatic switch)
	S25	250 A Molded Case Switch (J-Frame automatic switch)
	C	100% Rated Continuous Current Rating ¹
	M71	30 A H-Frame Motor Circuit Protector (MCP)
	M72	50 A H-Frame Motor Circuit Protector (MCP)
	M73	100 A H-Frame Motor Circuit Protector (MCP)
	M74	150 A H-Frame Motor Circuit Protector (MCP)
	M75	250 A J-Frame Motor Circuit Protector (MCP)
	D81	500 Vdc 150–175 A J-Frame Molded Case Circuit Breaker
	D82	500 Vdc 200–250 A J-Frame Molded Case Circuit Breaker
	D87	500 Vdc 30–70 A H-Frame Molded Case Circuit Breaker
Dxx	500 Vdc 300A–1200A L-Frame Molded Case Circuit Breaker (Refer to Table 9 for details)	
R	100% Rated Continuous Current Rating Complete Circuit Breaker (frame + removable trip unit)	

¹ 100% ratings valid for:
 Three-pole H/J frame unit mount and busbar connection
 Three-pole/four-pole L-frame 250 A and 400 A unit mount
 Three-pole L-frame 250 A and 400 A I-Line

PowerPact H-, J-, and L-Frame Circuit Breakers Catalog Numbering

Table 4: Factory Installed Accessory Suffix Codes (Building Sequence as Listed) and Field-Installable Kit Number

(1) Communication Networks¹			
Suffix	Description	Kit No.	
EA	NSX Cord 1.3 m, V ≤ 480 V	S434201	
EB	NSX Cord 3 m, V ≤ 480 V	S434202	
ED	NSX Cord 1.3 m, V > 480 V	S434204	
EE	NSX Cord 3 m, V > 480 V	S434303	
EG ⁴	BSCM + NSX Cord 1.3 m, V ≤ 480 V	S434201BS	
EH ⁴	BSCM + NSX Cord 3 m, V ≤ 480 V	S434202BS	
EK ⁴	BSCM + NSX Cord 1.3 m, V > 480 V	S434204BS	
EL ⁴	BSCM + NSX Cord 3 m, V > 480 V	S434303BS	
EN	24 Vdc Power Supply Terminal Block	S434210	

(2) Indication Contacts			
Suffix	Description	Kit No.	
V	SDX	S429532	
	SDTAM (motor only trip units)	S429424	

(3) Auxiliary Switch			
Suffix	Contacts	Kit No.	Kit Qty.
AA	1A/1B Standard	S29450	1
AB	2A/2B Standard	S29450	2
AC	3A/3B Standard (L-frame only)	S29450	3
AE	1A/1B Low-Level	S29452	1
AF	2A/2B Low-Level	S29452	2
AG	3A/3B Low Level (L-frame only)	S29452	3

(4) Alarm/Overcurrent Trip Switch			
Suffix	Switch	Kit No.	Kit Qty.
PowerPact L-Frame and PowerPact H/J-Frame with Micrologic 5/6 trip units			
BC	Alarm Switch	S29450	1
BH	Alarm Switch Low-Level	S29452	1
BD	Overcurrent Trip Switch, Standard SDE Actuator	S29450	1
		S29451	1
BJ	Overcurrent Trip Switch, Low-Level SDE Actuator	S29452	1
		S29451	1
BE	Alarm Switch and Overcurrent Trip Switch, Standard	S29450	2
BK	Alarm Switch and Overcurrent Trip Switch, Low-Level	S29452	2
PowerPact H/J-Frame with Thermal-Magnetic or Micrologic 1/2/3 trip units			
BC	Alarm Switch	S29450	1
BH	Alarm Switch Low-Level	S29452	1
BD	Overcurrent Trip Switch, Standard SDE Actuator	S29450	1
		S29451	1
BJ	Overcurrent Trip Switch, Low-Level SDE Actuator	S29452	1
		S29451	1
BE	Alarm Switch and Overcurrent Trip Switch, Standard SDE Actuator	S29450	2
		S29451	1
BK	Alarm Switch and Overcurrent Trip Switch, Low-Level SDE Actuator	S29452	2
		S29451	1

(5) Shunt Trip				
Suffix	Kit No.	(6) Undervoltage Release UVR		Voltage
Suffix	Kit No.	Suffix	Kit No.	
SK	S29384	UK	S29404	24 Vac
SL	S29385	UL	S29405	48 Vac
SA	S29386	UA	S29406	120 Vac
SD	S29387	UD	S29407	208/277 Vac
SH	S29388	UH	S29408	380/480 Vac
SJ	S29389	UJ	S29409	525/600 Vac
SN	S29382	UN	S29402	12 Vdc
SO	S29390	UO	S29410	24 Vdc
SU	S29391	UU	S29411	30 Vdc
SP	S29392	UP	S29412	48 Vdc
SV	S29383	UV	S29403	60 Vdc
SR	S29393	UR	S29413	125 Vdc
SS	S29394	US	S29414	250 Vdc

(6) Communicating Motor Operator⁵				
Suffix	Voltage	H-Frame	J-Frame	L-Frame
NC	220/240 Vac	S429441	S431549	S432652

(7) Motor Operator				
Suffix	Voltage	H-Frame	J-Frame	L-Frame
ML	48/60 Vac	S29440	S31548	S432639
MA	120 Vac	S29433	S31540	S432640
MD	277 Vac	S29434	S31541	S432641
MF	380/415 Vac	—	—	S432642
MH	440/480 Vac	S29435	S31542	S432647
MO	24/30 Vdc	S29436	S31543	S432643
MV	48/60 Vdc	S29437	S31544	S432644
MR	110/130 Vdc	S29438	S31545	S432645
MS	250 Vdc	S29439	S31546	S432646

(8) Rotary Handle				
Suffix	Handle Type (color)	H/J-Frame	L-Frame	
RD10	Direct Mount (black)	S29337	S32597	
RD20	Direct Mount (red)	S29339	S32599	
RE10	Extended Door Mount (black)	S29338	S32598	
RT10	Telescoping (black)	S29343	S32603	
RE20	Extended Door Mount (red)	S29340	S32600	

(9) Wire Harnesses²		
Suffix	Harness ²	Kit No.
YH3	ZSI Wire Harness, H/J Frame	S434300
YH3	ZSI Wire Harness, L-Frame	S434301
YH2	ENCT Wire Harness	S434302
YH1	OF Wire Harness	S434500
YH1	SD/SDE Wire Harness	S434501
YH1	SDx/SDTAM Wire Harness	S434502
YH1	MN Wire Harness	S434503
YH1	MX Wire Harness	S434504
YH1	Motor Operator Wire Harness	S434506
YH1	Communicating Motor Operator Wire Harness	S434507
YH1 ³	NSX Wire Harness	S434508
YH4	ENCT and ZSI Wire Harnesses	—
YH1 ³	24 Vdc Power Supply Wire Harness	S434505

(10) Handle Padlocks			
Suffix	Padlock Type	H/J-Frame	L-Frame
YP	Handle Padlock, ON or OFF	S29371	S32631
YQ	Handle Padlock, OFF Only	S37422	NJPAF
YQ	Handle Padlock, OFF Only 2P	H2PHLA	—

¹ Except for 24 Vdc Power Supply Terminal Block, installation requires IFM (STRV00210) for Modbus communication and/or FDM (STRV00121) for external display.

² YH1 = all installed accessories but ZSI and ENCT.
YH2 = ENCT and all installed accessories.
YH3 = ZSI and all installed accessories.
YH4 = ZSI, ENCT and all installed accessories.

³ I-Line wire harness included for communication network accessories.
Optional wire harness for unit mount requires YH1 suffix.

⁴ If using with a motor operator, requires Communicating Motor Operator (suffix NC).

⁵ Requires Micrologic trip unit U43, U44, U53, or U54 and communication accessories EG, EH, EK, or EL.

Section 2—General Information

The PowerPact™ H-, J-, and L-frame circuit breakers are designed to protect electrical systems from damage caused by overloads and short circuits. H- and J-frame circuit breakers are available with either thermal-magnetic or Micrologic™ electronic trip units. L-frame circuit breakers are available with Micrologic electronic trip units only.

H- and J-frame circuit breakers with thermal-magnetic trip units contain individual thermal (overload) and instantaneous (short circuit) sensing elements in each pole. The amperage ratings of the thermal trip elements are calibrated at 104°F (40°C) free air ambient temperature. Per the National Electric Code® (NEC®) and the Canadian Electrical Code, standard circuit breakers may only be applied continuously at up to 80% of their rating. Circuit breakers rated for 100% operation are available but require specially-designed enclosures and 194°F (90°C) rated wire.


Devices with the Micrologic electronic trip unit provide adjustable protection settings for greater system flexibility. In addition to electronic protection, Micrologic trip units allow users to monitor both energy and power. Through direct access to in-depth information and networking using open protocols, PowerPact circuit breakers with Micrologic trip units let operators optimize the management of their electrical installations. Far more than just a circuit breaker, these devices are a measurement and communication tool ready to meet energy-efficiency needs through optimized power requirements, increased energy availability, and improved installation management.

Applications

PowerPact H-, J-, and L-frame circuit breakers offer high performance and a wide range of interchangeable trip units to protect most applications.

Electronic trip units provide highly accurate protection with wide setting ranges and can integrate measurement, metering and communication functions. They can be combined with the front display module (FDM121) to provide functions similar to a power meter.

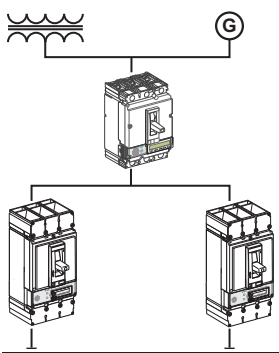
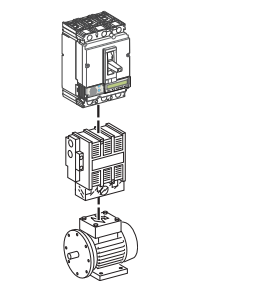
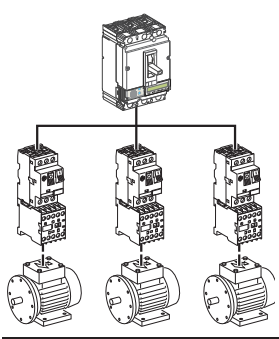
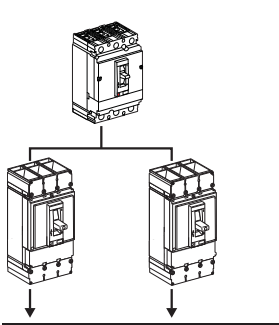
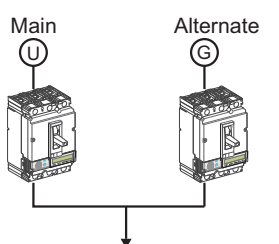
Table 5: Applications

	Power Meter	PowerPact H-, J-, and L-frame circuit breakers equipped with Micrologic 5/6 trip units offer type A (ammeter) or E (energy) metering functions as well as communication capability. Using Micrologic trip unit sensors and intelligence, PowerPact H-, J-, and L-frame circuit breakers provide access to measurements of all the main electrical parameters on the built-in screen, on a dedicated front display module (FDM121) or through the communication network.
	Operating assistance	Integration of measurement functions provides operators with operating assistance functions including alarms tripped by user-selected measurement values, time-stamped event tables and histories, and maintenance indicators.
	Front display module	The main measurements can be read on the built-in screen of Micrologic 5/6 trip units. They can also be displayed on the equipment FDM121 along with pop-up windows signalling the main alarms.
	Communication Network	PowerPact H-, J-, and L-frame circuit breakers equipped with Micrologic 5/6 trip units provide communication capabilities. Simple RJ45 cables connect to a Modbus communication interface module.

PowerPact H-, J-, and L-Frame Circuit Breakers

General Information

Table 5: Applications

	<p>Protection of distribution systems</p> <p>Mission critical applications</p>	<p>The PowerPact H-, J-, and L-frame circuit breakers provide protection against short circuits and overloads for:</p> <ul style="list-style-type: none"> • distribution systems supplied by transformers • distribution systems supplied by engine generator sets <p>They are easily installed at all levels in distribution systems, from the main LV switchboard to the subdistribution boards and enclosures. All PowerPact circuit breakers can protect against insulation faults by adding an external Vigirex relay.</p> <p>The PowerPact H-, J-, and L-frame mission critical circuit breakers provide high levels of selective coordination with QO and ED/EG/EJ circuit breakers.</p>
	<p>Protection of motors</p>	<p>The PowerPact H-, J-, and L-frame circuit breakers include a number of versions to protect motor applications:</p> <ul style="list-style-type: none"> • basic short-circuit protection with electronic instantaneous only MCP or the electronic Micrologic 1.3 M trip units, combined with a special overload relay to provide thermal protection • protection against overloads, short circuit and phase unbalance or loss with Micrologic 2 M trip units <p>The exceptional limiting capacity of the PowerPact circuit breakers automatically provides coordination with the motor starter.</p>
	<p>Protection of special applications</p>	<p>The PowerPact H-, J-, and L-frame circuit breakers offer a number of version for special protection applications:</p> <ul style="list-style-type: none"> • industrial control panels with: <ul style="list-style-type: none"> — compliance with international standards IEC 60947-2 and UL 508/CSA 22.2 N°14 — compliance with UL 489 — installation in universal and functional enclosures • 400 Hz systems
	<p>Control using automatic switches</p>	<p>An automatic switch version of PowerPact H-, J-, and L-frame circuit breakers is available for circuit control. All add-on functions for the circuit breakers may be combined with the basic automatic switch function, including motor operators.</p> <p>For information on other automatic switches, contact Schneider Electric.</p>
	<p>Manual transfer systems</p>	<p>To ensure a continuous supply of power, some electrical installations are connected to two power systems:</p> <ul style="list-style-type: none"> • the normal source, usually the utility (U) • a replacement source to supply the installation when the normal source is not available, generally from a generator (G) <p>A mechanical and/or electrical interlocking system between two circuit breakers or automatic switches avoids all risk of parallel connection of the sources during switching.</p> <p>A system can be manual transfer mechanical device interlocking.</p>

Mission Critical Circuit Breakers

The PowerPact™ J- and L-Frame Mission Critical circuit breakers deliver high levels of selective coordination in a flexible design that can be easily configured for a variety of applications. Tested to be selectively coordinated with the QO™ family of miniature circuit breakers and the ED, EG, and EJ circuit breakers, this solution provides peace of mind when power availability is critical.

An electronic trip unit provides adjustable long-time settings in three sensor sizes, allowing coverage from 70 through 600 A on 120-240, 208Y/120, 240, and 480Y/277 V systems.

Ratings	Available Configurations
UL 489 Listed CSA Certified Voltage: 480Y/277 V	<ul style="list-style-type: none">• I-Line mounting• Main circuit breaker in NQ and NF panelboards• Unit mount for OEM users• Plug-in base for OEM users• Drawout base for OEM users

In addition to unique design attributes, the PowerPact Mission Critical circuit breakers have also undergone rigorous testing procedures to certify the coordination with downstream circuit breakers—combining innovative engineering with validated test results.

Apply Schneider Electric Mission Critical circuit breakers in emergency power distribution systems, data centers, hospitals, or anywhere continuity of service is desired.

Theory of Operation

There are several dynamic forces between the PowerPact Mission Critical circuit breakers and downstream circuit breakers when a fault occurs downstream of the branch circuit breaker. Many of these events cannot be shown on the trip curve.

The PowerPact Mission Critical circuit breakers analyze the fault current to make decisions which maximize selectivity with downstream circuit breakers. The trip units deploy a special selectivity delay to allow downstream circuit breakers to clear. However, on very high faults or if the downstream circuit breaker does not trip, the circuit breaker trips the mechanism instantaneously.

The combination of the PowerPact Mission Critical circuit breaker and downstream circuit breakers shown in the selectivity charts in the instruction bulletin are selective due to the fact that the series impedance and the let-through from the downstream circuit breaker does not produce enough energy to trip the PowerPact Mission Circuit circuit breaker.

This system maximizes the interaction of the circuit breakers in series to allow selectivity.

Trip Units and Trip Curves

The PowerPact J- and L-Frame Mission Critical circuit breakers deliver high levels of selective coordination with the QO™ family of miniature circuit breakers and the ED, EG, and EJ circuit breakers in a flexible design that can be easily configured for a variety of applications. These circuit breaker can be equipped with 3.2-W, 3.2S-W, 5.2A-W, 5.2E-W, 6.2A-W, 3.3S-W, 5.3A-W, 6.3A-2, and 6.3E-2 Micrologic trip units. See the catalog numbers and references beginning in Table 21.

The mission critical trip units have the same settings and trip curves as the standard trip units described in this document.

For more information see the trip unit user guides 48940-310-01 and 48940-312-01 on the Schneider Electric website.

PowerPact H-, J-, and L-Frame Circuit Breakers

General Information

J-frame mission critical circuit breakers are selective with QO or E-frame circuit breakers per Table 6 when the amperage of the main circuit breaker is at least two times the amperage of the branch circuit breaker.

Table 6: J-Frame Selectivity with QO and E-Frame Circuit Breakers¹

Circuit Breaker			Voltage	Current	One-Line Diagram	
Main	Branch					
J-W, 250 A	QO(B) QO(B)-H QO(B)-VH QH	1P, 2P	10–30 A	240/120 V 120 V	18 kA	
			35–60 A		15 kA	
			70–125 A		12 kA	
	3P	10–30 A	240 V 208 V	15 kA		
		35–60 A		13 kA		
		70–125 A		10 kA		
J-W, 250 A	E-Frame	1P, 2P, 3P	15–125 A	240 V	18 kA	
			15–60 A	480Y/277 V	10 kA	
			70–125 A		7 kA	

¹ Including AFI, CAFI, EPD and GFI circuit breakers.

L-frame mission critical circuit breakers are selective with QO-style and E-frame circuit breakers per Table 7 when the amperage of the main circuit breaker is at least two times greater than the amperage of the branch circuit breaker.

Table 7: L-Frame Selectivity with QO and E-Frame Circuit Breakers¹

Circuit Breaker			Voltage	Current	One-Line Diagram		
Main	Branch						
L-W, 250 A	QO(B) QO(B)-H QO(B)-VH QH	10–60 A	240 V	18 kA			
		70–125 A		10 kA			
L-W, 400 A L-W, 600 A	QO(B) QO(B)-H QO(B)-VH QH	15–150 A	240 V	30 kA			
				30 kA			
L-W, 250 A L-W, 400 A L-W, 600 A	E-Frame	15–125 A	480Y/277 V	30 kA			
				30 kA			

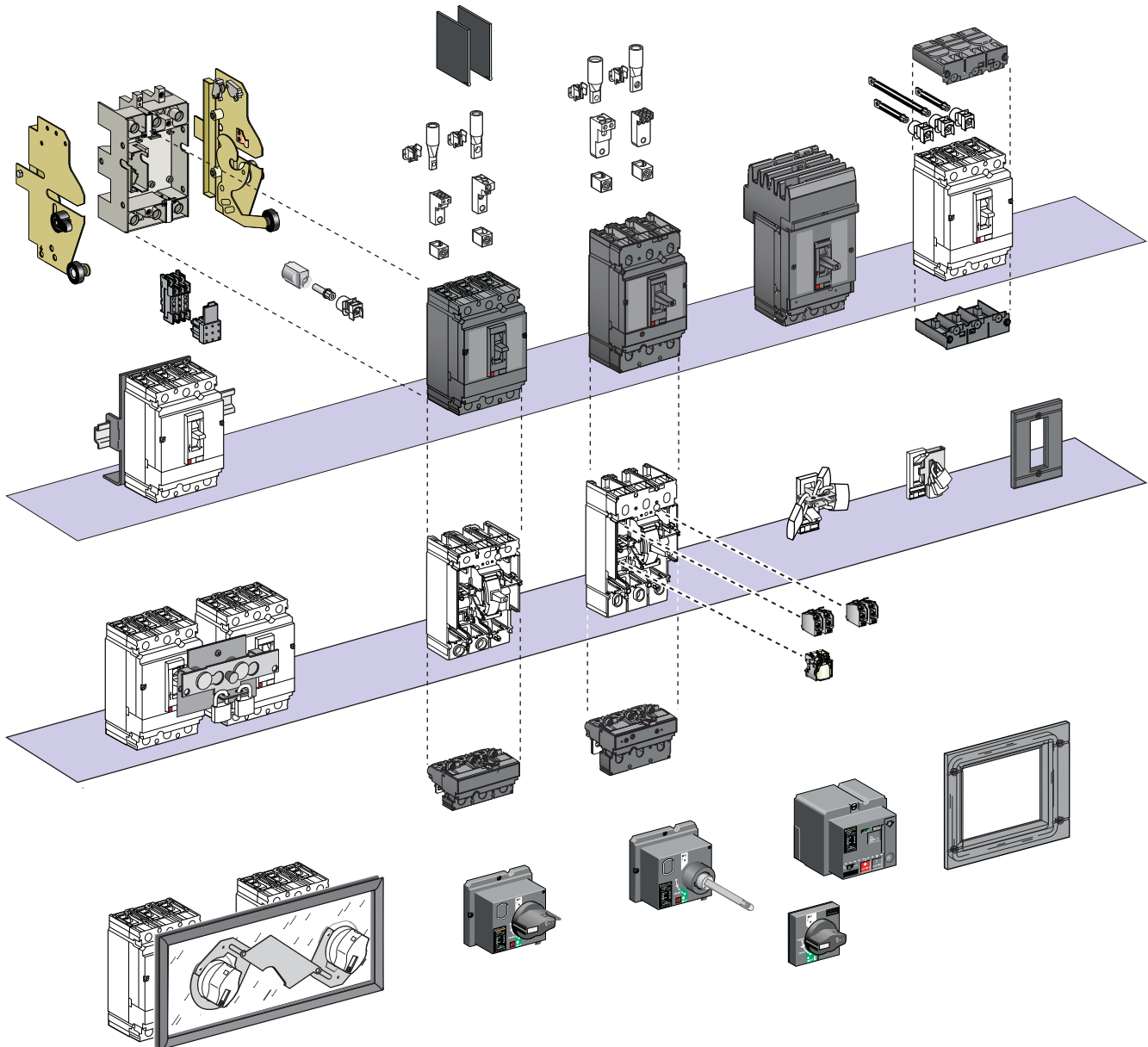
¹ Including AFI, CAFI, EPD and GFI circuit breakers.

Flexible Configurations

The PowerPact H-, J- and L-frame circuit breakers may be configured with lugs, bus bar connections, rear connections, I-Line™, drawout cradle, or plug-in base.

Field Installable Accessories and Trip Units

Figure 1: Field Installable Accessories and Trip Units



PowerPact H-, J-, and L-Frame Circuit Breakers

General Information

General Characteristics

Faceplate Label

	<p>Characteristics indicated on the faceplate label:</p> <ul style="list-style-type: none"> A. Circuit breaker type B. Circuit breaker disconnecter symbol C. Performance levels D. Standards E. Ue: Operating voltage per IEC F. Icu: Ultimate breaking capacity per IEC G. Ics: Service breaking capacity per IEC H. Uimp: Rated impulse withstand voltage per IEC I. Ui: Insulation voltage per IEC J. Certification marks <p>NOTE: When the circuit breaker is equipped with an extended rotary handle, the door must be opened to view the faceplate.</p>
--	---

Codes and Standards

H-, J-, and L-frame circuit breakers, automatic switches and electronic motor circuit protectors are manufactured and tested in accordance with the following standards.

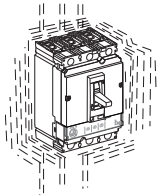
NOTE: Apply circuit breakers according to guidelines detailed in the National Electric Code (NEC) and other local wiring codes.

Table 8: Codes and Standards (Domestic)

PowerPact H-, J-, and L-Frame Circuit Breakers	H-, J-, and L-Frame Switches	PowerPact H-, J-, and L-Frame Motor Circuit Protectors
UL 489 ¹	UL 489 ³	UL 508
IEC 60947-2	IEC 60947-3	IEC 60947-2
CSA C22.2 No. 5 ²	CSA C22.2 No. 5 ⁴	CSA C22.2 No. 14
Federal Specification W-C-375B/GEN	Federal Specification W-C-375B/GEN	NEMA AB1
NEMA AB1	NEMA AB1	CCC
NMX J-266	NMX J-266	CE Marking
CCC	CE Marking	
CE Marking		

¹ PowerPact H- and J-frame circuit breakers are in UL File E10027. PowerPact L-frame circuit breakers are in UL File E63335.
² PowerPact H- and J-frame circuit breakers are in CSA File LR40970. PowerPact L-frame circuit breakers are in CSA File 69561.
³ PowerPact H- and J-frame switches are in UL File E87159.
⁴ PowerPact H- and J-frame switches are in CSA File LR32390.

Vibration



PowerPact H-, J-, and L-frame devices resist mechanical vibration.

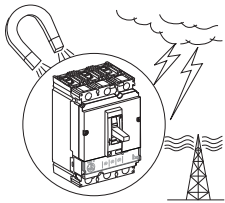
Tests are carried out in compliance with standard UL 489 SA and SB for the levels required by merchant-marine inspection organizations (Veritas®, Lloyd's®, etc.):

PowerPact H-, J-, and L-frame circuit breaker meet IEC 60068-2-6 for vibration:

- 2.0 to 25.0 Hz and amplitude +/- 1.6 mm
- 25.0 to 100 Hz acceleration +/- 4.0 g

Excessive vibration may cause tripping, breaks in connections or damage to mechanical parts.

Electromagnetic Disturbances



PowerPact H-, J-, and L-frame devices are protected against:

- overvoltages caused by circuit switching
- overvoltages caused by an atmospheric disturbances or by a distribution-system outage (such as from failure due to lightning)
- devices emitting radio waves (radios, walkie-talkies, radar, etc.)
- electrostatic discharges produced directly by users

PowerPact H-, J-, and L-frame devices have successfully passed the electromagnetic-compatibility tests (EMC) defined by the following international standards:

- IEC/EN 60947-2: Low-voltage switchgear and controlgear, part 2: Circuit breakers:
 - Annex F: Immunity tests for circuit breakers with electronic protection
 - Annex B: Immunity tests for residual current protection
- IEC/EN 61000-4-2: Electrostatic-discharge immunity tests
- IEC/EN 61000-4-3: Radiated, radio-frequency, electromagnetic-field immunity tests
- IEC/EN 61000-4-4: Electrical fast transient/burst immunity tests
- IEC/EN 61000-4-5: Surge immunity tests
- IEC/EN 61000-4-6: Immunity tests for conducted disturbances induced by radio frequency fields
- CISPR 11: Limits and methods of measurement of electromagnetic disturbance characteristics of industrial, scientific and medical (ISM) radio-frequency equipment.

These tests ensure that:

- no nuisance tripping occurs due to electromagnetic disturbances
- tripping times are respected

Tropicalization

The materials used in PowerPact circuit breakers will not support the growth of fungus and mold.

PowerPact circuit breakers have passed the test defined below for extreme atmospheric conditions.

Dry cold and dry heat:

- IEC 68-2-1—dry cold at -55°C
- IEC 68-2-2—dry heat at +85°C

Damp heat (tropicalization)

- IEC 68-2-30—damp heat (temperature + 55°C and relative humidity of 95%)
- IEC 68-2-52 level 2—salt mist

PowerPact H-, J-, and L-Frame Circuit Breakers

General Information

Special Ratings

The H-frame and J-frame circuit breakers also comply with the following special ratings:

- HACR rating
- SWD switch duty rating (applies only to 15 and 20 A / 277 Vac or less, two- and three-pole)
- HID high intensity discharge lighting rating (15–50 A)

The L-frame circuit breakers complies with the following special rating:

- HACR rating

Marine Ratings

UL Marine Listed/CSA Certified Circuit Breakers (UL 489 Supplement SA)

The PowerPact H- and J-frame circuit breakers with thermal-magnetic trip units with D, G, J and L interruption levels meet the UL 489 Supplement SA requirements for use on vessels of any length under or over 65 ft. (19.8 m). The PowerPact H-, J-, and L-frame circuit breakers with Micrologic electronic trip units meet the UL 489 Supplement SA for use on vessels over 65 ft. (19.8 m) in length. Marine circuit breakers must not use aluminum or aluminum alloys for terminal connections and must be calibrated at an ambient temperature of 104°F (40°C). Standard circuit breakers should not be specified or used in the place of marine rated circuit breakers.

Circuit breakers can be ordered with the Marine SA listing by adding the suffix “YA” (marine) to the catalog number.

UL Naval Listed/CSA Certified Circuit Breakers (UL 489 Supplement SB)

The PowerPact H-, J-, and L-frame circuit breakers with Micrologic trip units with D, G, J and L interruption levels meet the UL 489 Supplement SB requirements for use on naval vessels. These circuit breakers are subject to various vibration tests as described in UL 489 Supplement SB. Naval circuit breakers must not use aluminum or aluminum alloys for terminal connections and must be calibrated at an ambient temperature of 122°F (50°C). Standard circuit breakers should not be specified or used in the place of navel rated circuit breakers.

Circuit breakers can be ordered with the Naval SB listing by adding the suffix “YA1” (naval) to the catalog number.

American Bureau of Shipping (ABS)

The PowerPact H-, J-, and L-Frame circuit breakers are certified to ABS-NVR (American Bureau of Shipping - Naval Vessel Rules), for use on Naval vessels.

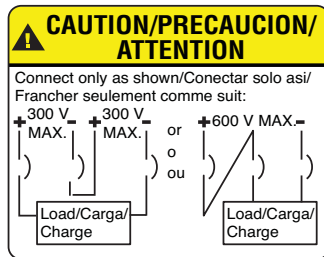
UL 489 SC Listed 500 Vdc Circuit Breakers

The UL Listed/CSA Certified thermal-magnetic H-, J-, and L-frame molded case circuit breakers are specifically designed for use on ungrounded dc systems having a maximum short-circuit voltage of 500 Vdc or a maximum floating (unloaded) voltage of 600 Vdc. The circuit breakers are suitable for use only with UPS (uninterruptable power supplies) and ungrounded systems. This two-level voltage rating allows these circuit breakers to be applied to battery sources having a short-circuit availability of 20,000 or 50,000 amperes at 500 Vdc.

These circuit breakers are UL Listed/CSA Certified for the interrupting ratings shown only if applied with three poles connected in series (series connection is external to circuit breaker). See diagram below.

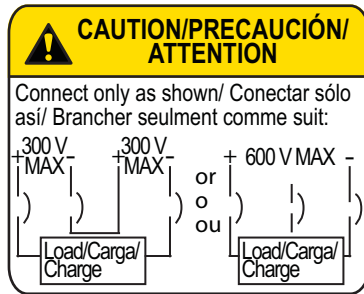
NOTE: Due to external series connection, I-Line circuit breakers are not available for this application.

Figure 2: DC Circuit Breaker Caution Labels

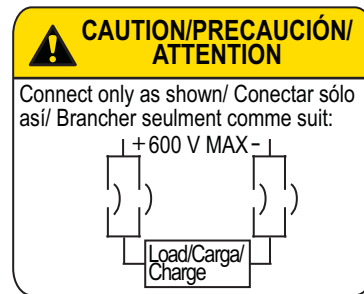


Source = 600 Vdc max. (floating)
 500 Vdc max. (loaded)

H- and J-Frame Circuit Breakers



L-Frame Three-Pole Circuit Breakers



L-Frame Four-Pole Circuit Breakers

PowerPact H-, J-, and L-Frame Circuit Breakers

General Information

Table 9: DC Molded Case Circuit Breakers—Adjustable Magnetic Trip

Ampere Rating	Circuit Breaker Cat. No.	Adjustable Magnetic Trip Range—DC Amperes		Performance Level at 500 Vdc
		Low	High	
100 A	JGL37100D81	350	600	20 k AIR
125 A	JGL37125D81	350	600	
150 A	JGL37150D81	350	600	
175 A	JGL37175D81	350	600	
200 A	JGL37200D82	500	850	
225 A	JGL37225D82	500	850	
250 A	JGL37250D82	500	850	
300 A	LGL37030D27	750	1500	
350 A	LGL37035D29	875	1750	
400 A	LGL37040D30	1000	2000	
450 A	LGL37045D31	1125	2250	
500 A	LGL37050D32	1250	2500	
600 A	LGL37060D33	1500	3000	
700 A	LGL47070D35	1750	3500	
800 A	LGL47080D36	2000	4000	
900 A	LGL47090D86	2250	4500	
1000 A	LGL47100D40	2500	5000	
1200 A	LGL47120D42	3000	6000	
100 A	JLL37100D81	350	600	50 k AIR
125 A	JLL37125D81	350	600	
150 A	JLL37150D81	350	600	
175 A	JLL37175D81	350	600	
200 A	JLL37200D82	500	850	
225 A	JLL37225D82	500	850	
250 A	JLL37250D82	500	850	
300 A	LLL37030D27	750	1500	
350 A	LLL37035D29	875	1750	
400 A	LLL37040D30	1000	2000	
450 A	LLL37045D31	1125	2250	
500 A	LLL37050D32	1250	2500	
600 A	LLL37060D33	1500	3000	
700 A	LLL47070D35	1750	3500	
800 A	LLL47080D36	2000	4000	
900 A	LLL47090D86	2250	4500	
1000 A	LLL47100D40	2500	5000	
1200 A	LLL47120D42	3000	6000	

Table 10: DC Molded Case Circuit Breakers—Fixed Magnetic Trip

Ampere Rating	Circuit Breaker Cat. No.	Adjustable Magnetic Trip Range—DC Amperes		Performance Level at 500 Vdc
		Low	High	
30 A	HGL37030D87	300	600	20 k AIR
50 A	HGL37050D87	300	600	
70 A	HGL37070D87	300	600	
30 A	HLL37030D87	300	600	50 k AIR
50 A	HLL37050D87	300	600	
70 A	HLL37070D87	300	600	

PowerPact H-, J-, and L-Frame Circuit Breakers General Information

Table 11: Circuit Breakers

Circuit Breaker	150 A H-Frame					250 A J-Frame					400 A L-Frame					600 A L-Frame					1200 A L-Frame											
Circuit Breaker Type	HD	HG	HJ	HL	HR	JD	JG	JJ	JL	JR	LD	LG	LJ	LL	LR	LD	LG	LJ	LL	LR	LG	LL										
Number of poles ¹	2, 3					3					2, 3					3					3, 4					3, 4					4	
Amperage Range (A)	15-150					70-250					70-400					200-600					700-1200											
UL 489 Circuit Breaker Ratings																																
Breaking Capacity (AIR)	240 Vac	25	65	100	125	200	25	65	100	125	200	25	65	100	125	200	25	65	100	125	200	—	—									
	480 Vac	18	35	65	100	200	18	35	65	100	200	18	35	65	100	200	18	35	65	100	200	—	—									
	600 Vac	14	18	25	50	100	14	18	25	50	100	14	18	25	50	100	14	18	25	50	100	—	—									
	250 Vdc ²	20	20	20	20	—	20	20	20	20	—	—	—	—	—	—	—	—	—	—	—	—	—									
UL/CSA/NOM (kA rms)	500 Vdc ^{2, 3}	—	20	—	50	—	—	20	—	—	50	—	—	20	—	—	50	—	—	20	—	20	—	20	50							
IEC 947-2 Circuit Breaker Ratings																																
Ultimate breaking capacity (Icu) (kA rms)	220/240 Vac	25	65	100	125	150	25	65	100	125	150	25	65	100	125	150	25	65	100	125	150	—	—									
	380/415 Vac	18	35	65	100	125	18	35	65	100	125	18	35	65	100	125	18	35	65	100	125	—	—									
	440/480 Vac	18	35	65	100	125	18	35	65	100	125	18	35	65	100	125	18	35	65	100	125	—	—									
	500/525 Vac	14	18	25	50	75	14	18	25	50	75	14	18	25	50	75	14	18	25	50	75 ⁴	—	—									
	690 Vac	—	—	—	—	20	—	—	—	—	20	—	—	—	—	20	—	—	—	—	20	—	—									
	250 Vdc ²	—	—	—	—	—	20	20	20	20	—	—	—	—	—	—	—	—	—	—	—	—										
500 Vdc ^{2, 3}	—	—	—	—	—	20	20	20	20	—	—	—	—	—	—	—	—	—	—	—	—											
Service breaking capacity (Ics)	% Icu	100%					100%					100%					100%		—	—												
Insulation Voltage	V _i	750 Vac					750 Vac					750 Vac					750 Vac		—	—												
Impulse Withstand Voltage	V _{imp}	8 kVac					8 kVac					8 kVac					8 kVac		—	—												
Operational Voltage	V _e	690 Vac					690 Vac					690 Vac					690 Vac		—	—												
Sensor Rating	I _n	150 A					250 A					400 A					600 A		—	—												
Utilization Category	—	A					A					A					A		—	—												
Operations (Open-Close Cycles)																																
Without Current	—	4000					5000					5000					5000		—	—												
With Current	—	4000					1000					1000					1000		—	—												
Protection and Measurements																																
Short-circuit protection	Magnetic only	X	X	X	X	X	X	X	X	X	X	X	X	X	X	X	X	X	X	X	X	—	—									
	Thermal-magnetic	X	X	X	X	X	X	X	X	X	X	—	—	—	—	—	—	—	—	—	—	X	X									
	Electronic	X	X	X	X	X	X	X	X	X	X	X	X	X	X	X	X	X	X	X	X	—	—									
	with neutral protection (Off-0.5-1-OSN) ⁵	X	X	X	X	X	X	X	X	X	X	X	X	X	X	X	X	X	X	X	X	—	—									
	with ground fault protection	X	X	X	X	X	X	X	X	X	X	X	X	X	X	X	X	X	X	X	X	—	—									
with zone selective interlocking (ZSI) ⁶	X	X	X	X	X	X	X	X	X	X	X	X	X	X	X	X	X	X	X	X	—	—										
Display / I, V, f, P, E, THD measurements / interrupted-current measurement																																
Options	Front display module (FDM121)	X	X	X	X	X	X	X	X	X	X	X	X	X	X	X	X	X	X	X	X	—	—									
	Operating assistance	X	X	X	X	X	X	X	X	X	X	X	X	X	X	X	X	X	X	X	X	—	—									
	Counters	X	X	X	X	X	X	X	X	X	X	X	X	X	X	X	X	X	X	X	X	—	—									
	Histories and alarms	X	X	X	X	X	X	X	X	X	X	X	X	X	X	X	X	X	X	X	X	—	—									
	Metering Com	X	X	X	X	X	X	X	X	X	X	X	X	X	X	X	X	X	X	X	X	—	—									
Device status/control com	X	X	X	X	X	X	X	X	X	X	X	X	X	X	X	X	X	X	X	X	—	—										
Dimensions / Weight / Connections																																
Dimensions (Three-Pole Unit Mount) in. (mm)	Height	6.4 (163)					7.5 (191)					13.38 (340)					13.38 (340)					13.38 (340)										
	Width	4.1 (104)					4.1 (104)					5.51 (140)					5.51 (140)					5.51 (140)										
	Depth	3.4 (86)					3.4 (86)					4.33 (110)					4.33 (110)					4.33 (110)										
Weight - lb. (Kg)	4.8 (2.2)					5.3 (2.4)					13.2 (6.0)					13.7 (6.2)					13.7 (6.2)											
Connections / Terminations	Unit Mount	X					X					X					X		X													
	I-Line	X					X					X					X		—													
	Rear Connection	X					X					X					X		X ⁷													
	Plug-In	X					X					X					X		—													
	Drawout	X					X					X					X		—													
Optional Lugs	X					X					X					X		—														

1 H and J-frame breakers with Micrologic trip units available only with three poles. The HJ, HL and the J-Frame two pole circuit breakers are three pole modules.
2 DC not available with PowerPact H, J or L-frame circuit breakers with Micrologic trip units.
3 500 Vdc specific catalog numbers, ungrounded UPS systems only.
4 I_{CS} for 600 A L-frame circuit breaker at 525 V is 19 kA.
5 OSN: Over Sized Neutral protection for neutrals carrying high currents (e.g. 3rd harmonics).
6 ZSI using restraint wires.
7 Rear connection is not available for 700–1200 A four pole L-frame circuit breakers.

PowerPact H-, J-, and L-frame Circuit Breaker Trip Units

Table 12: Micrologic Trip Unit Features

Features	Micrologic Trip Unit (X = Standard Feature, O = Available Option)					
	Standard		Ammeter		Energy	
	3.2/3.3	3.2S/3.3S	5.2A/5.3A	6.2A/6.3A	5.2E/5.3E	6.2E/6.3E
LI	X					
LSI ¹		X	X		X	
LSIG/Ground Fault Trip ²				X		X
Ground-Fault Alarm Trip				X		X
Current Settings Directly in Amperes	X	X	X	X	X	X
True RMS Sensing	X	X	X	X	X	X
UL Listed	X	X	X	X	X	X
Thermal Imaging	X	X	X	X	X	X
LED for Long-Time Pickup	X	X	X	X	X	X
LED for Long-Time Alarm	X	X	X	X	X	X
LED Green "Ready" Indicator	X	X	X	X	X	X
Up to 12 Alarms Used Together			X	X	X	X
Digital Ammeter			X	X	X	X
Zone-Selective Interlocking ³			X	X	X	X
Communications	O	O	O	O	O	O
LCD Display			X	X	X	X
Front Display Module FDM121			O	O	O	O
Advanced User Interface			X	X	X	X
Neutral Protection			X	X	X	X
Contact Wear Indication ⁴			X	X	X	X
Incremental Fine Tuning of Settings			X	X	X	X
Load Profile ^{4, 5}			X	X	X	X
Power Measurement					X	X
Power Quality Measurements					X	X

¹ The LSI with 3.2S/3.3S trip units have fixed short time and long time delays.

² Requires neutral current transformer on three-phase four-wire loads.

³ ZSI for H/J-frame devices is only OUT. ZSI for L-frame devices is IN and OUT.

⁴ Indication available using the communication system only.

⁵ % of hours in 4 current ranges: 0–49%, 50–79%, 80–89%, and >90% I_n.

Thermal-Magnetic or Electronic Trip Unit?

Thermal-magnetic trip units (available on H- and J-frame circuit breakers only) protect against overcurrents and short-circuits using tried and true techniques. For applications requiring installation optimization and energy efficiency, electronic trip units offering more advanced protection functions combined with measurements.

Trip units using digital electronics are faster as well as more accurate. Wide setting ranges make installation upgrades easier. Designed with processing capabilities, Micrologic trip units can provide measurement information and device operating assistance. With this information, users can avoid or deal more effectively with disturbances and can play a more active role in system operation. They can manage the installation, anticipate events and plan any necessary servicing.

Accurate Measurements for Complete Protection

PowerPact H-, J-, and L-frame circuit breakers devices offer excellent measurement accuracy from 15 amperes on up to the short-circuit currents. This is made possible by a new generation of current transformers combining “iron-core” sensors for self-powered electronics and “air core” sensors (Rogowski coils) for measurements. The protection functions are managed by an ASIC (Application Specific Integrated Circuit) component that is independent of the measurement functions. This independence ensures immunity to conducted and radiated disturbances and increases reliability.

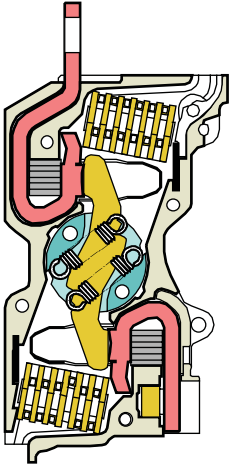
Numerous Security Functions

Torque-limiting screws	The screws secure the trip unit to the circuit breaker. When the correct tightening torque is reached, the screw heads break off. Optimum tightening avoids any risk of temperature rise. A torque wrench is no longer required.
Easy and sure changing of trip units	All trip units are interchangeable, without wiring. A mechanical mismatch-protection system makes it impossible to mount a trip unit on a circuit breaker with a lower rating.
“Ready” LED for a continuous self-test	The LED on the front of the electronic trip units indicates the result of the self-test running continuously on the measurement system and the tripping release. As long as the green LED is flashing, the links between the CTs, the processing electronics and the tripping mechanism are operational. The circuit breaker is ready to protect. A minimum current of 15 to 50 A, depending on the device, is required for this indication function.
A patented dual adjustment system for protection functions.	Available on Micrologic 5/6 trip units, the system consists of: <ul style="list-style-type: none"> • an adjustment using rotary switches sets the maximum value • an adjustment using the keypad or made remotely, fine-tunes the setting. This setting may not exceed the first one. It can be read directly on the Micrologic trip unit screen, to within one ampere and a fraction of a second.

Section 3—Circuit Breakers

Dual-Break Rotating Contacts

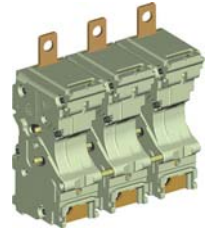
All PowerPact™ H-, J-, and L-frame circuit breakers are equipped with dual-break rotating contacts that reduce the amount of peak current during a short circuit fault. This reduces the let-through currents and enhances equipment protection.



Reduced Let-Through Currents

The moving contact has the shape of an elongated “S” and rotates around a floating axis. The shape of the fixed and moving contacts are such that the repelling forces appear as soon as the circuit reaches approximately 15 times I_n .

Due to the rotating movement, repulsion is rapid and the device greatly limits short-circuit currents, whatever the interrupting level of the unit (D, G, J or L). The fault current is extinguished before it can fully develop. Lower let-through currents provide less peak energy, reducing the required bus bar bracing, lowering enclosure pressure, and delivering improved series or combination ratings. See page 25 for UL Current-Limiting labels.



High Ampere Interrupting Ratings (AIR)

Circuit breakers are available with interrupting ratings up to:

- 200 kA at 240 Vac delta
- 200 kA at 480 Vac delta
- 100 kA at 600 Vac delta.

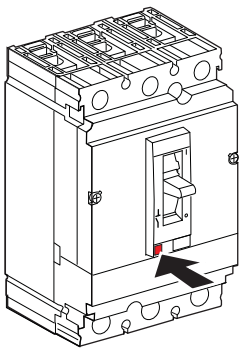
See Table 2 for additional performance levels.

Internal Operating Mechanism

PowerPact H-, J-, and L-frame circuit breakers have an over-center toggle mechanism providing quick-make, quick-break operation. The operating mechanism is also trip-free, which allows tripping even when the circuit breaker handle is held in the “ON” position.

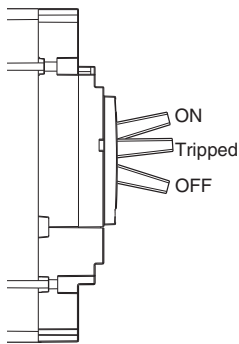
Internal cross-bars provide common opening and closing of all poles with a single operating handle.

All PowerPact circuit breakers have an integral push-to-trip button in the cover to manually trip the circuit breaker. This should be used as part of a regular preventive maintenance program.



Push-to-Trip

Handle Position Indication



The circuit breaker handle can assume any of three positions, ON, tripped or OFF as shown. The center tripped position provides positive visual indication that the circuit breaker has tripped.

The circuit breaker can be reset by first pushing the handle to the extreme “OFF” position. Power can then be restored to the load by pushing the handle to the “ON” position.

Circuit Breaker Ratings

The interrupting rating is the highest current at rated voltage the circuit breaker is designed to safely interrupt under standard test conditions. Circuit breakers must be selected with interrupting ratings equal to or greater than the available short-circuit current at the point where the circuit breaker is applied to the system (unless it is a branch device in a series rated combination). Interrupting ratings are shown on Table 11: Circuit Breakers on page 21 and on the faceplate label on the front of the circuit breaker.

Reverse Feeding of Circuit Breakers

The standard unit-mount H-, J-, and L-frame circuit breakers have sealed trip units and may be reverse fed. See Tables 18, 19, and 32 through 40 for catalog numbers.

Circuit breakers with field-interchangeable trip units (designated by the suffix T and labeled “LINE” and “LOAD”) cannot be reverse fed. Neither can circuit breaker frames without terminations or trip units.

Current-Limiting

The current-limiting attributes of PowerPact H-, J-, and L-frame circuit breakers provide greater protection for downstream devices by limiting the let-through current in the event of a fault. The current-limiting capabilities of HJ/HL/HR, JJ/JL/JR, and LJ/LL/LR frame circuit breakers are documented with Underwriters Laboratories and Canadian Standards Association. These current-limiting circuit breakers ship with a label that identifies them as UL/CSA Current-Limiting Circuit Breakers. (The HD/HG, JD/JG, and LD/LG circuit breakers do not carry the UL Current-Limiting label).

The trip curves with let-through data are available in the trip curve section in this catalog.

Please note that as let-through curves for UL Listed/CSA Certified Current-Limiting Circuit Breakers, these curves are maximum let-through values.

100% Rated

Some models of the H-, J-, and L-frame circuit breakers are UL Listed/CSA Certified to be applied at up to 100% of their current rating. Because of the additional heat generated, the use of specially-designed enclosures on H- and J-frame circuit breakers and 194°F (90°C) rated wire is required when applying circuit breakers at 100% of continuous current rating. (H-, J-, and L-frame circuit breakers can use aluminum or copper lugs.) Markings on the circuit breaker indicate the minimum enclosure size and ventilation required. The 194°F (90°C) wire must be sized according to the ampacities of the 167°F (75°C) wire column in the NEC. Circuit breakers with 100% rating can also be used in applications requiring only standard (80%) continuous loading.

PowerPact H-, J-, and L-Frame Circuit Breakers

100% ratings valid for:

- three-pole H/J-frame unit mount construction only.
- three- and four-pole L-frame 250 A and 400 A unit mount construction.
- three-pole L-frame 250 A and 400 A I-Line™ construction.

Corner Grounded Delta Ratings (1Ø-3Ø)

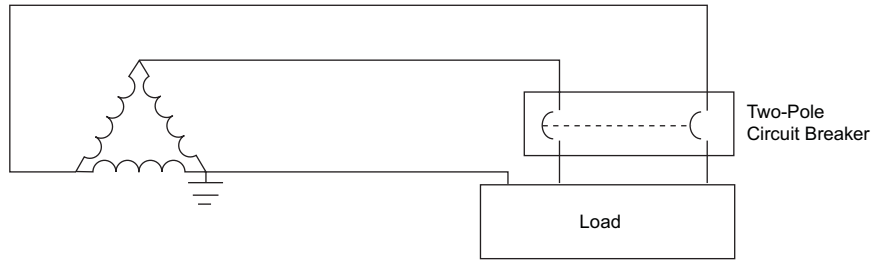
Circuit breakers suitable for corner-grounded circuits are marked 1Ø-3Ø. For additional information, refer to data bulletin 2700DB0202.

Table 13: Corner Grounded Delta Ratings (1Ø-3Ø)

	Two-Pole H-Frame					Two-Pole J-Frame				
	HD	HG	HJ ¹	HL ¹	HR ¹	JD ¹	JG ¹	JJ ¹	JL ¹	JR ¹
Ampere Rating (A)	15–150					150–250				
Voltage Rating (Vac)	240					240				
UL Interrupting Rating (kA)	42	42	65	100	200	42	42	65	100	200

¹ Built using three-pole module.

Figure 3: Three-Phase 240 Vac Corner-Grounded Delta System



Special Applications

Protection of Industrial Control Panels

PowerPact H-, J-, and L-frame circuit breakers are also used in industrial control panels. They serve as an incoming devices or can be combined with contactors to protect motor feeders:

- compliance with worldwide standards including IEC 60947-2 and UL 508 / CSA C22.2 N°14
- overload and short-circuit protection
- installation in universal and functional type

PowerPact H-, J-, and L-frame circuit breakers equipped for motor protection functions as described in the following pages can be used in industrial control panels. The accessories for the PowerPact H-, J-, and L-frame circuit breakers are suitable for the special needs of these applications.

400 Hz Applications

Impact on Protective Devices

The current in 400 Hz systems have higher losses caused by eddy currents and an increase in the skin effect (reduction in the useful cross-sectional area of conductors). The higher losses cause additional temperature rise in circuit breakers subjected to the higher frequency current. To remain within the rated temperature-rise limits of devices, current derating is required. For circuit breakers equipped with Micrologic electronic trip units, only the current rating (I_r) must be derated. See Table 14. On circuit breakers equipped with thermal-magnetic trip units, the current rating (I_n) must be derated and the magnetic trip setting I_m must be increased. See Table 15.

Breaking Capacity in 400 Hz, 480 V Systems

The power levels of 400 Hz applications rarely exceed a few hundred kW with relatively low short-circuit currents, generally not exceeding four times the rated current.

Circuit Breaker	Max. Breaking Capacity AIR at 400 Hz
H-frame	10 kA
J-frame	10 kA
L-frame	10 kA

Micrologic Electronic Trip Units

Micrologic™ 3.2/3, 5.2/3 A or E and 6.2/3 with A or E measurement functions are suitable for 400 Hz. The use of electronics offers the advantage of greater operating stability when the frequency varies. However the units are still subject to temperature rise caused by the frequency.

The practical consequences are:

- limit settings: see the I_r derating table below
- the long-time, short-time and instantaneous pick-ups are not modified (see pages 87 or 89)
- the accuracy of the displayed measurements is 2% (Class II)

Table 14: Current Derating Maximum I_r Setting

Circuit Breaker	Maximum Setting Coefficient	Max I_r Setting at 400 Hz
H-Frame, 150 A	0.9	135
J-Frame, 250 A	0.9	225
L-Frame, 400 A	0.8	320
L-Frame, 600 A	0.65	390

PowerPact H-, J-, and L-Frame Circuit Breakers

Circuit Breakers

Thermal-Magnetic Trip Units

Thermal-magnetic trip units require the current rating (I_n) to be derated and the magnetic trip setting (I_m) to be increased.

Table 15: Current Rating (I_n) and Magnetic Trip Setting (I_m) Rerating

Circuit Breaker	Maximum Setting Coefficient	Max I_r Setting at 400 Hz	Magnetic I_m Coefficient at 400 Hz
H-Frame, 150 A	0.9	135	1.6
J-Frame, 250 A	0.9	225	1.6
L-Frame, 400 A	0.8	320	1.6
L-Frame, 600 A	0.65	390	1.6

Auxiliary Switch (OF) in 400 Hz Networks

Table 16: Electrical Characteristics of Auxiliary Switches

Contact Utilization cat. (IEC 60947-5-1)		Standard		Low Level	
		AC12	AC15	AC12	AC15
Operational current	24 V	6 A	6 A	5 A	3 A
	40 V	6 A	6 A	5 A	3 A
	110 V	6 A	5 A	5 A	2.5 A
	200/240 V	6 A	4 A	5 A	2 A
	380/415 V	6 A	2 A	5 A	1.5 A

Shunt Trip (MX) or Undervoltage Trip (MN) Voltage Release at 400 Hz and 440 V

For circuit breakers on 400 Hz systems, only 125 Vdc undervoltage trip (MN) or shunt trip (MX) releases may be used. The release must be supplied by the 400 Hz system through a rectifier bridge (to be selected from the table below) and an additional resistor with characteristics depending on the system voltage.

Table 17: Rectifier Bridges for MN or MX Releases

Voltage	Rectifier	Additional Resistor
220/240 V	Thomson 110 BHz or General Instrument W06 or Semikron SKB at 1.2/1.3	4.2 kΩ-5 W
380/240 V	Semikron SKB at 1.2/1.3	10.7 kΩ-10 W

H- and J-Frame Catalog Numbers

Unit-Mount Circuit Breaker Catalog Numbers

Table 18: PowerPact H-Frame 150 A Unit-Mount¹ Thermal-Magnetic Circuit Breakers (600 Vac, 250 Vdc) with Factory Sealed Trip Unit (Suitable for Reverse Connection)

Current Rating at 104°F (40°C)	Fixed AC Magnetic Trip		Interrupting Rating							
			D		G		J ²		L ²	
	Hold	Trip	Standard (80%) Rated	100% Rated	Standard (80%) Rated	100% Rated	Standard (80%) Rated	100% Rated	Standard (80%) Rated	100% Rated
H-Frame, 150 A, Two-Pole, 600 Vac 50/60 Hz, 250 Vdc³										
15 A	350 A	750 A	HDL26015	HDL26015C	HGL26015	HGL26015C	HJL26015	HJL26015C	HLL26015	HLL26015C
20 A	350 A	750 A	HDL26020	HDL26020C	HGL26020	HGL26020C	HJL26020	HJL26020C	HLL26020	HLL26020C
25 A	350 A	750 A	HDL26025	HDL26025C	HGL26025	HGL26025C	HJL26025	HJL26025C	HLL26025	HLL26025C
30 A	350 A	750 A	HDL26030	HDL26030C	HGL26030	HGL26030C	HJL26030	HJL26030C	HLL26030	HLL26030C
35 A	400 A	850 A	HDL26035	HDL26035C	HGL26035	HGL26035C	HJL26035	HJL26035C	HLL26035	HLL26035C
40 A	400 A	850 A	HDL26040	HDL26040C	HGL26040	HGL26040C	HJL26040	HJL26040C	HLL26040	HLL26040C
45 A	400 A	850 A	HDL26045	HDL26045C	HGL26045	HGL26045C	HJL26045	HJL26045C	HLL26045	HLL26045C
50 A	400 A	850 A	HDL26050	HDL26050C	HGL26050	HGL26050C	HJL26050	HJL26050C	HLL26050	HLL26050C
60 A	800 A	1450 A	HDL26060	HDL26060C	HGL26060	HGL26060C	HJL26060	HJL26060C	HLL26060	HLL26060C
70 A	800 A	1450 A	HDL26070	HDL26070C	HGL26070	HGL26070C	HJL26070	HJL26070C	HLL26070	HLL26070C
80 A	800 A	1450 A	HDL26080	HDL26080C	HGL26080	HGL26080C	HJL26080	HJL26080C	HLL26080	HLL26080C
90 A	800 A	1450 A	HDL26090	HDL26090C	HGL26090	HGL26090C	HJL26090	HJL26090C	HLL26090	HLL26090C
100 A	900 A	1700 A	HDL26100	HDL26100C	HGL26100	HGL26100C	HJL26100	HJL26100C	HLL26100	HLL26100C
110 A	900 A	1700 A	HDL26110	HDL26110C	HGL26110	HGL26110C	HJL26110	HJL26110C	HLL26110	HLL26110C
125 A	900 A	1700 A	HDL26125	HDL26125C	HGL26125	HGL26125C	HJL26125	HJL26125C	HLL26125	HLL26125C
150 A	900 A	1700 A	HDL26150	HDL26150C	HGL26150	HGL26150C	HJL26150	HJL26150C	HLL26150	HLL26150C
H-Frame, 150 A, Three-Pole, 600 Vac 50/60 Hz, 250 Vdc										
15 A	350 A	750 A	HDL36015	HDL36015C	HGL36015	HGL36015C	HJL36015	HJL36015C	HLL36015	HLL36015C
20 A	350 A	750 A	HDL36020	HDL36020C	HGL36020	HGL36020C	HJL36020	HJL36020C	HLL36020	HLL36020C
25 A	350 A	750 A	HDL36025	HDL36025C	HGL36025	HGL36025C	HJL36025	HJL36025C	HLL36025	HLL36025C
30 A	350 A	750 A	HDL36030	HDL36030C	HGL36030	HGL36030C	HJL36030	HJL36030C	HLL36030	HLL36030C
35 A	400 A	850 A	HDL36035	HDL36035C	HGL36035	HGL36035C	HJL36035	HJL36035C	HLL36035	HLL36035C
40 A	400 A	850 A	HDL36040	HDL36040C	HGL36040	HGL36040C	HJL36040	HJL36040C	HLL36040	HLL36040C
45 A	400 A	850 A	HDL36045	HDL36045C	HGL36045	HGL36045C	HJL36045	HJL36045C	HLL36045	HLL36045C
50 A	400 A	850 A	HDL36050	HDL36050C	HGL36050	HGL36050C	HJL36050	HJL36050C	HLL36050	HLL36050C
60 A	800 A	1450 A	HDL36060	HDL36060C	HGL36060	HGL36060C	HJL36060	HJL36060C	HLL36060	HLL36060C
70 A	800 A	1450 A	HDL36070	HDL36070C	HGL36070	HGL36070C	HJL36070	HJL36070C	HLL36070	HLL36070C
80 A	800 A	1450 A	HDL36080	HDL36080C	HGL36080	HGL36080C	HJL36080	HJL36080C	HLL36080	HLL36080C
90 A	800 A	1450 A	HDL36090	HDL36090C	HGL36090	HGL36090C	HJL36090	HJL36090C	HLL36090	HLL36090C
100 A	900 A	1700 A	HDL36100	HDL36100C	HGL36100	HGL36100C	HJL36100	HJL36100C	HLL36100	HLL36100C
110 A	900 A	1700 A	HDL36110	HDL36110C	HGL36110	HGL36110C	HJL36110	HJL36110C	HLL36110	HLL36110C
125 A	900 A	1700 A	HDL36125	HDL36125C	HGL36125	HGL36125C	HJL36125	HJL36125C	HLL36125	HLL36125C
150 A	900 A	1700 A	HDL36150	HDL36150C	HGL36150	HGL36150C	HJL36150	HJL36150C	HLL36150	HLL36150C

¹ Standard lug kit: AL150HD. Terminal wire range: 14–3/0 AWG Al or Cu.

² UL Listed/CSA Certified as current-limiting circuit breakers.

³ HD and HG circuit breakers are true two-pole construction.

PowerPact H-, J-, and L-Frame Circuit Breakers

Circuit Breakers

Table 19: PowerPact J-Frame 250 A Unit-Mount Thermal-Magnetic Circuit Breakers with Factory Sealed Trip Unit (Suitable for Reverse Connection)

Current Rating at 104°F (40°C)	Adjustable AC Magnetic Trip		Interrupting Rating									
			D		G		J ¹		L ¹		R ¹	
	Hold	Trip	Standard (80%) Rated	100% Rated	Standard (80%) Rated	100% Rated	Standard (80%) Rated	100% Rated	Standard (80%) Rated	100% Rated	Standard (80%) Rated	100% Rated
J-Frame, 250 A, Two-Pole, 600 Vac 50/60 Hz, 250 Vdc												
150 A ²	750 A	1500 A	JDL26150	JDL26150C	JGL26150	JGL26150C	JJL26150	JJL26150C	JLL26150	JLL26150C	—	—
175 A ²	875 A	1750 A	JDL26175	JDL26175C	JGL26175	JGL26175C	JJL26175	JJL26175C	JLL26175	JLL26175C	—	—
200 A ³	1000 A	2000 A	JDL26200	JDL26200C	JGL26200	JGL26200C	JJL26200	JJL26200C	JLL26200	JLL26200C	—	—
225 A ³	1125 A	2250 A	JDL26225	JDL26225C	JGL26225	JGL26225C	JJL26225	JJL26225C	JLL26225	JLL26225C	—	—
250 A ³	1250 A	2500 A	JDL26250	JDL26250C	JGL26250	JGL26250C	JJL26250	JJL26250C	JLL26250	JLL26250C	—	—
J-Frame, 250 A, Three-Pole, 600 Vac 50/60 Hz, 250 Vdc												
150 A ²	750 A	1500 A	JDL36150	JDL36150C	JGL36150	JGL36150C	JJL36150	JJL36150C	JLL36150	JLL36150C	JRL36150	JRL36150C
175 A ²	875 A	1750 A	JDL36175	JDL36175C	JGL36175	JGL36175C	JJL36175	JJL36175C	JLL36175	JLL36175C	JRL36175	JRL36175C
200 A ³	1000 A	2000 A	JDL36200	JDL36200C	JGL36200	JGL36200C	JJL36200	JJL36200C	JLL36200	JLL36200C	JRL36200	JRL36200C
225 A ³	1125 A	2250 A	JDL36225	JDL36225C	JGL36225	JGL36225C	JJL36225	JJL36225C	JLL36225	JLL36225C	JRL36225	JRL36225C
250 A ³	1250 A	2500 A	JDL36250	JDL36250C	JGL36250	JGL36250C	JJL36250	JJL36250C	JLL36250	JLL36250C	JRL36250	JRL36250C

¹ UL Listed/CSA Certified as current-limiting circuit breakers.

² Standard lug kit: AL175JD. Terminal wire range: 4–4/0 AWG Al or Cu.

³ Standard lug kit: AL250JD. Terminal wire range: 3/0 AWG–350 kcmil Al or Cu.

PowerPact H-, J-, and L-Frame Circuit Breakers Circuit Breakers

**Table 20: H-Frame 150 A and J-Frame 250 A Electronic Trip UL Rated Circuit Breakers
(600 Vac, 50/60 Hz) With Factory Sealed Trip Unit Suitable for Reverse Connection**

Electronic Trip Unit			Sensor Rating	Interrupting Rating				
Type	Function	Trip Unit		D	G	J ¹	L ²	R ²
Standard (80%) Rated Circuit Breakers, Three-Pole								
Standard	LI	3.2 ²	60 A ³	HDL36060U31X	HGL36060U31X	HJL36060U31X	HLL36060U31X	HRL36060U31X
			100 A ³	HDL36100U31X	HGL36100U31X	HJL36100U31X	HLL36100U31X	HRL36100U31X
			150 A ³	HDL36150U31X	HGL36150U31X	HJL36150U31X	HLL36150U31X	HRL36150U31X
			250 A ⁴	JDL36250U31X	JGL36250U31X	JJL36250U31X	JLL36250U31X	JRL36250U31X
Standard	LSI	3.2S ²	60 A ³	HDL36060U33X	HGL36060U33X	HJL36060U33X	HLL36060U33X	HRL36060U33X
			100 A ³	HDL36100U33X	HGL36100U33X	HJL36100U33X	HLL36100U33X	HRL36100U33X
			150 A ³	HDL36150U33X	HGL36150U33X	HJL36150U33X	HLL36150U33X	HRL36150U33X
			250 A ⁴	JDL36250U33X	JGL36250U33X	JJL36250U33X	JLL36250U33X	JRL36250U33X
Ammeter	LSI	5.2A	60 A ³	HDL36060U43X	HGL36060U43X	HJL36060U43X	HLL36060U43X	HRL36060U43X
			100 A ³	HDL36100U43X	HGL36100U43X	HJL36100U43X	HLL36100U43X	HRL36100U43X
			150 A ³	HDL36150U43X	HGL36150U43X	HJL36150U43X	HLL36150U43X	HRL36150U43X
			250 A ⁴	JDL36250U43X	JGL36250U43X	JJL36250U43X	JLL36250U43X	JRL36250U43X
Energy	LSI	5.2E	60 A ³	HDL36060U53X	HGL36060U53X	HJL36060U53X	HLL36060U53X	HRL36060U53X
			100 A ³	HDL36100U53X	HGL36100U53X	HJL36100U53X	HLL36100U53X	HRL36100U53X
			150 A ³	HDL36150U53X	HGL36150U53X	HJL36150U53X	HLL36150U53X	HRL36150U53X
			250 A ⁴	JDL36250U53X	JGL36250U53X	JJL36250U53X	JLL36250U53X	JRL36250U53X
Ammeter	LSIG	6.2A	60 A ³	HDL36060U44X	HGL36060U44X	HJL36060U44X	HLL36060U44X	HRL36060U44X
			100 A ³	HDL36100U44X	HGL36100U44X	HJL36100U44X	HLL36100U44X	HRL36100U44X
			150 A ³	HDL36150U44X	HGL36150U44X	HJL36150U44X	HLL36150U44X	HRL36150U44X
			250 A ⁴	JDL36250U44X	JGL36250U44X	JJL36250U44X	JLL36250U44X	JRL36250U44X
Energy	LSIG	6.2E	60 A ³	HDL36060U54X	HGL36060U54X	HJL36060U54X	HLL36060U54X	HRL36060U54X
			100 A ³	HDL36100U54X	HGL36100U54X	HJL36100U54X	HLL36100U54X	HRL36100U54X
			150 A ³	HDL36150U54X	HGL36150U54X	HJL36150U54X	HLL36150U54X	HRL36150U54X
			250 A ⁴	JDL36250U54X	JGL36250U54X	JJL36250U54X	JLL36250U54X	JRL36250U54X
100% Rated Circuit Breakers, Three-Pole								
Standard	LI	3.2 ²	60 A ³	HDL36060CU31X	HGL36060CU31X	HJL36060CU31X	HLL36060CU31X	HRL36060CU31X
			100 A ³	HDL36100CU31X	HGL36100CU31X	HJL36100CU31X	HLL36100CU31X	HRL36100CU31X
			150 A ³	HDL36150CU31X	HGL36150CU31X	HJL36150CU31X	HLL36150CU31X	HRL36150CU31X
			250 A ⁴	JDL36250CU31X	JGL36250CU31X	JJL36250CU31X	JLL36250CU31X	JRL36250CU31X
Standard	LSI	3.2S ²	60 A ³	HDL36060CU33X	HGL36060CU33X	HJL36060CU33X	HLL36060CU33X	HRL36060CU33X
			100 A ³	HDL36100CU33X	HGL36100CU33X	HJL36100CU33X	HLL36100CU33X	HRL36100CU33X
			150 A ³	HDL36150CU33X	HGL36150CU33X	HJL36150CU33X	HLL36150CU33X	HRL36150CU33X
			250 A ⁴	JDL36250CU33X	JGL36250CU33X	JJL36250CU33X	JLL36250CU33X	JRL36250CU33X
Ammeter	LSI	5.2A	60 A ³	HDL36060CU43X	HGL36060CU43X	HJL36060CU43X	HLL36060CU43X	HRL36060CU43X
			100 A ³	HDL36100CU43X	HGL36100CU43X	HJL36100CU43X	HLL36100CU43X	HRL36100CU43X
			150 A ³	HDL36150CU43X	HGL36150CU43X	HJL36150CU43X	HLL36150CU43X	HRL36150CU43X
			250 A ⁴	JDL36250CU43X	JGL36250CU43X	JJL36250CU43X	JLL36250CU43X	JRL36250CU43X
Energy	LSI	5.2E	60 A ³	HDL36060CU53X	HGL36060CU53X	HJL36060CU53X	HLL36060CU53X	HRL36060CU53X
			100 A ³	HDL36100CU53X	HGL36100CU53X	HJL36100CU53X	HLL36100CU53X	HRL36100CU53X
			150 A ³	HDL36150CU53X	HGL36150CU53X	HJL36150CU53X	HLL36150CU53X	HRL36150CU53X
			250 A ⁴	JDL36250CU53X	JGL36250CU53X	JJL36250CU53X	JLL36250CU53X	JRL36250CU53X

¹ UL Listed/CSA Certified as current-limiting circuit breakers.

² Three-pole circuit breakers with this trip unit can be used for two-pole applications.

³ Standard lug kit: AL150HD. Terminal wire range: 14–3/0 AWG Al or Cu.

⁴ Standard lug kit: AL250JD. Terminal wire range: 3/0 AWG–350 kcmil Al or Cu.
For smaller wire range (4–4/0 AWG Al or Cu), replace the lug's wire binding screws with the larger binding screws provided.

PowerPact H-, J-, and L-Frame Circuit Breakers

Circuit Breakers

**Table 21: J-Frame 250 A Mission Critical Electronic Trip UL Rated Circuit Breakers
(Three-Pole, 480Y/277 Vac, 50/60 Hz) With Factory Sealed Trip Unit Suitable for Reverse Connection**

Electronic Trip Unit			Sensor Rating	Interrupting Rating ¹			
Type	Function	Trip Unit		D	G	J	L
Standard (80%) Rated Circuit Breakers, Three-Pole							
Standard	LI	3.2-W	250 A	JDL34250WU31X	JGL34250WU31X	JJL34250WU31X	JLL34250WU31X
Standard	LSI	3.2S-W	250 A	JDL34250WU33X	JGL34250WU33X	JJL34250WU33X	JLL34250WU33X
Ammeter	LSI	5.2A-W	250 A	JDL34250WU43X	JGL34250WU43X	JJL34250WU43X	JLL34250WU43X
Energy	LSI	5.2E-W	250 A	JDL34250WU53X	JGL34250WU53X	JJL34250WU53X	JLL34250WU53X
Ammeter	LSIG	6.2A-W	250 A	JDL34250WU44X	JGL34250WU44X	JJL34250WU44X	JLL34250WU44X
Energy	LSIG	6.2E-W	250 A	JDL34250WU54X	JGL34250WU54X	JJL34250WU54X	JLL34250WU54X

¹ Standard lug kit: AL250JD. Terminal wire range: 3/0 AWG–350 kcmil Al or Cu.
For smaller wire range (4–4/0 AWG Al or Cu), replace the lug's wire binding screws with the larger binding screws provided.

PowerPact H-, J-, and L-Frame Circuit Breakers Circuit Breakers

I-Line Circuit Breaker Catalog Numbers

Table 22: PowerPact H-Frame 150 A I-Line Thermal-Magnetic Circuit Breakers¹ with Factory Sealed Trip Unit (Suitable for Reverse Connection)²

Current Rating at 104°F (40°C)	Fixed AC Magnetic Trip		Interrupting Rating ³ Standard (80%) Rated			
	Hold	Trip	D	G	J ⁴	L ⁴
H-Frame, 150 A, Two-Pole, 600 Vac 50/60Hz, 250 Vdc						
15 A	350 A	750 A	HDA26015()	HGA26015()	HJA26015()	HLA26015()
20 A	350 A	750 A	HDA26020()	HGA26020()	HJA26020()	HLA26020()
25 A	350 A	750 A	HDA26025()	HGA26025()	HJA26025()	HLA26025()
30 A	350 A	750 A	HDA26030()	HGA26030()	HJA26030()	HLA26030()
35 A	400 A	850 A	HDA26035()	HGA26035()	HJA26035()	HLA26035()
40 A	400 A	850 A	HDA26040()	HGA26040()	HJA26040()	HLA26040()
45 A	400 A	850 A	HDA26045()	HGA26045()	HJA26045()	HLA26045()
50 A	400 A	850 A	HDA26050()	HGA26050()	HJA26050()	HLA26050()
60 A	800 A	1450 A	HDA26060()	HGA26060()	HJA26060()	HLA26060()
70 A	800 A	1450 A	HDA26070()	HGA26070()	HJA26070()	HLA26070()
80 A	800 A	1450 A	HDA26080()	HGA26080()	HJA26080()	HLA26080()
90 A	800 A	1450 A	HDA26090()	HGA26090()	HJA26090()	HLA26090()
100 A	900 A	1700 A	HDA26100()	HGA26100()	HJA26100()	HLA26100()
110 A	900 A	1700 A	HDA26110()	HGA26110()	HJA26110()	HLA26110()
125 A	900 A	1700 A	HDA26125()	HGA26125()	HJA26125()	HLA26125()
150 A	900 A	1700 A	HDA26150()	HGA26150()	HJA26150()	HLA26150()
H-Frame, 150 A, Three-Pole, 600 Vac 50/60Hz, 250 Vdc						
15 A	350 A	750 A	HDA36015	HGA36015	HJA36015	HLA36015
20 A	350 A	750 A	HDA36020	HGA36020	HJA36020	HLA36020
25 A	350 A	750 A	HDA36025	HGA36025	HJA36025	HLA36025
30 A	350 A	750 A	HDA36030	HGA36030	HJA36030	HLA36030
35 A	400 A	850 A	HDA36035	HGA36035	HJA36035	HLA36035
40 A	400 A	850 A	HDA36040	HGA36040	HJA36040	HLA36040
45 A	400 A	850 A	HDA36045	HGA36045	HJA36045	HLA36045
50 A	400 A	850 A	HDA36050	HGA36050	HJA36050	HLA36050
60 A	800 A	1450 A	HDA36060	HGA36060	HJA36060	HLA36060
70 A	800 A	1450 A	HDA36070	HGA36070	HJA36070	HLA36070
80 A	800 A	1450 A	HDA36080	HGA36080	HJA36080	HLA36080
90 A	800 A	1450 A	HDA36090	HGA36090	HJA36090	HLA36090
100 A	900 A	1700 A	HDA36100	HGA36100	HJA36100	HLA36100
110 A	900 A	1700 A	HDA36110	HGA36110	HJA36110	HLA36110
125 A	900 A	1700 A	HDA36125	HGA36125	HJA36125	HLA36125
150 A	900 A	1700 A	HDA36150	HGA36150	HJA36150	HLA36150

¹ Standard lug kit: AL150HD. Terminal wire range: 14–3/0 AWG Al or Cu.

² No 100% I-Line available.

³ () Indicates phasing. See “Catalog Numbering” on page 8.

⁴ UL Listed/CSA Certified as current-limiting circuit breakers.

PowerPact H-, J-, and L-Frame Circuit Breakers

Table 23: PowerPact J-Frame 250A I-Line Thermal-Magnetic Circuit Breakers with Factory Sealed Trip Unit (Suitable for Reverse Connection)¹

Current Rating a 104°F (40°C)	Adjustable AC Magnetic Trip		Interrupting Rating ² Standard (80%) Rated				
	Hold	Trip	D	G	J ³	L ³	R ³
J-Frame, 250 A, Two-Pole, 600 Vac 50/60Hz, 250 Vdc							
150 A ⁴	750 A	1500 A	JDA26150()	JGA26150()	JJA26150()	—	—
175 A ⁴	875 A	1750 A	JDA26175()	JGA26175()	JJA26175()	—	—
200 A ⁵	1000 A	2000 A	JDA26200()	JGA26200()	JJA26200()	—	—
225 A ⁵	1125 A	2250 A	JDA26225()	JGA26225()	JJA26225()	—	—
250 A ⁵	1250 A	2500 A	JDA26250()	JGA26250()	JJA26250()	—	—
J-Frame, 250 A, Three-Pole, 600 Vac 50/60Hz, 250 Vdc							
150 A ⁴	750 A	1500 A	JDA36150	JGA36150	JJA36150	JLA36150	JRA36150
175 A ⁴	875 A	1750 A	JDA36175	JGA36175	JJA36175	JLA36175	JRA36175
200 A ⁵	1000 A	2000 A	JDA36200	JGA36200	JJA36200	JLA36200	JRA36200
225 A ⁵	1125 A	2250 A	JDA36225	JGA36225	JJA36225	JLA36225	JRA36225
250 A ⁵	1250 A	2500 A	JDA36250	JGA36250	JJA36250	JLA36250	JRA36250

¹ No 100% I-Line available.

² () Indicates phasing. See “Catalog Numbering” on page 8.

³ UL Listed/CSA Certified as current-limiting.

⁴ Standard lug kit: AL175JD. Terminal wire range: 4–4/0 AWG Al or Cu.

⁵ Standard lug kit: AL250JD. Terminal wire range: 3/0 AWG–350 kcmil Al or Cu.

PowerPact H-, J-, and L-Frame Circuit Breakers Circuit Breakers

Table 24: H-Frame 150 A and J-Frame 250 A I-Line Standard (80%) Rated Electronic Trip UL Rated Circuit Breakers (Three-Pole, 600 Vac, 50/60 Hz) With Factory Sealed Trip Unit Suitable for Reverse Connection ¹

Electronic Trip Unit			Sensor Rating	Interrupting Rating				
Type	Function	Trip Unit		D	G	J ²	L ²	R ²
Standard	LI	3.2 ³	60 A ⁴	HDA36060U31X	HGA36060U31X	HJA36060U31X	HLA36060U31X	HRA36060U31X
			100 A ⁴	HDA36100U31X	HGA36100U31X	HJA36100U31X	HLA36100U31X	HRA36100U31X
			150 A ⁴	HDA36150U31X	HGA36150U31X	HJA36150U31X	HLA36150U31	HRA36150U31X
			250 A ^{3, 5}	JDA36250U31X	JGA36250U31X	JJA36250U31X	JLA36250U31X	JRA36250U31X
Standard	LSI	3.2S ³	60 A ⁴	HDA36060U33X	HGA36060U33X	HJA36060U33X	HLA36060U33X	HRA36060U33X
			100 A ⁴	HDA36100U33X	HGA36100U33X	HJA36100U33X	HLA36100U33X	HRA36100U33X
			150 A ⁴	HDA36150U33X	HGA36150U33X	HJA36150U33X	HLA36150U33X	HRA36150U33X
			250 A ^{3, 5}	JDA36250U33X	JGA36250U33X	JJA36250U33X	JLA36250U33X	JRA36250U33X
Ammeter	LSI	5.2A	60 A ⁴	HDA36060U43X	HGA36060U43X	HJA36060U43X	HLA36060U43X	HRA36060U43X
			100 A ⁴	HDA36100U43X	HGA36100U43X	HJA36100U43X	HLA36100U43X	HRA36100U43X
			150 A ⁴	HDA36150U43X	HGA36150U43X	HJA36150U43X	HLA36150U43X	HRA36150U43X
			250 A ^{3, 5}	JDA36250U43X	JGA36250U43X	JJA36250U43X	JLA36250U43X	JRA36250U43X
Energy	LSI	5.2E	60 A ⁴	HDA36060U53X	HGA36060U53X	HJA36060U53X	HLA36060U53X	HRA36060U53X
			100 A ⁴	HDA36100U53X	HGA36100U53X	HJA36100U53X	HLA36100U53X	HRA36100U53X
			150 A ⁴	HDA36150U53X	HGA36150U53X	HJA36150U53X	HLA36150U53X	HRA36150U53X
			250 A ^{3, 5}	JDA36250U53X	JGA36250U53X	JJA36250U53X	JLA36250U53X	JRA36250U53X
Ammeter	LSIG	6.2A ⁶	60 A ⁴	HDA36060U44X	HGA36060U44X	HJA36060U44X	HLA36060U44X	HRA36060U44X
			100 A ⁴	HDA36100U44X	HGA36100U44X	HJA36100U44X	HLA36100U44X	HRA36100U44X
			150 A ⁴	HDA36150U44X	HGA36150U44X	HJA36150U44X	HLA36150U44X	HRA36150U44X
			250 A ^{3, 5}	JDA36250U44X	JGA36250U44X	JJA36250U44X	JLA36250U44X	JRA36250U44X
Energy	LSIG	6.2E	60 A ⁴	HDA36060U54X	HGA36060U54X	HJA36060U54X	HLA36060U54X	HRA36060U54X
			100 A ⁴	HDA36100U54X	HGA36100U54X	HJA36100U54X	HLA36100U54X	HRA36100U54X
			150 A ⁴	HDA36150U54X	HGA36150U54X	HJA36150U54X	HLA36150U54X	HRA36150U54X
			250 A ^{3, 5}	JDA36250U54X	JGA36250U54X	JJA36250U54X	JLA36250U54X	JRA36250U54X

¹ No 100% I-Line available.

² UL Listed/CSA Certified as current-limiting circuit breakers.

³ Three-pole circuit breakers with this trip unit can be used for two-pole applications.

⁴ Standard lug kit: AL150HD. Terminal wire range: 14–3/0 AWG Al or Cu.

⁵ Standard lug kit: AL250JD. Terminal wire range: 3/0 AWG–350 kcmil Al or Cu.

For smaller wire range (4–4/0 AWG Al or Cu), replace the lug's wire binding screws with the larger binding screws provided.

⁶ Three-pole circuit breakers with this trip unit can be used for two-pole applications in order to have ground fault protection. Additional metering capabilities will not work properly on the unconnected phase.

Table 25: J-Frame 250 A Mission Critical I-Line Standard (80%) Rated Electronic Trip UL Rated Circuit Breakers (Three-Pole, 480Y/277 Vac, 50/60 Hz) With Factory Sealed Trip Unit Suitable for Reverse Connection

Electronic Trip Unit			Sensor Rating	Interrupting Rating ¹ .			
Type	Function	Trip Unit		D	G	J	L
Standard	LI	3.2-W	250 A	JDA34250WU31X	JGA34250WU31X	JJA34250WU31X	JLA34250WU31X
Standard	LSI	3.2S-W	250 A	JDA34250WU33X	JGA34250WU33X	JJA34250WU33X	JLA34250WU33X
Ammeter	LSI	5.2A-W	250 A	JDA34250WU43X	JGA34250WU43X	JJA34250WU43X	JLA34250WU43X
Energy	LSI	5.2E-W	250 A	JDA34250WU53X	JGA34250WU53X	JJA34250WU53X	JLA34250WU53X
Ammeter	LSIG	6.2A-W	250 A	JDA34250WU44X	JGA34250WU44X	JJA34250WU44X	JLA34250WU44X
Energy	LSIG	6.2E-W	250 A	JDA34250WU54X	JGA34250WU54X	JJA34250WU54X	JLA34250WU54X

¹ Standard lug kit: AL250JD. Terminal wire range: 3/0 AWG–350 kcmil Al or Cu.

For smaller wire range (4–4/0 AWG Al or Cu), replace the lug's wire binding screws with the larger binding screws provided.

Circuit Breakers with Field-Interchangeable Trip Units Catalog Numbers

Table 26: H-Frame 150 A Circuit Breaker Frame¹ with Field-Interchangeable Thermal-Magnetic Trip Units² (Three-Pole, 600 Vac, 250 Vdc)

Ampere Rating	Fixed AC Magnetic Trip		Interrupting Rating			
			D	G	J ³	L ³
	Hold	Trip	Cat. No.	Cat. No.	Cat. No.	Cat. No.
15 A	350 A	750 A	HDL36015T ⁴	HGL36015T	HJL36015T	HLL36015T
20 A	350 A	750 A	HDL36020T	HGL36020T	HJL36020T	HLL36020T
25 A	350 A	750 A	HDL36025T	HGL36025T	HJL36025T	HLL36025T
30 A	350 A	750 A	HDL36030T	HGL36030T	HJL36030T	HLL36030T
35 A	400 A	850 A	HDL36035T	HGL36035T	HJL36035T	HLL36035T
40 A	400 A	850 A	HDL36040T	HGL36040T	HJL36040T	HLL36040T
45 A	400 A	850 A	HDL36045T	HGL36045T	HJL36045T	HLL36045T
50 A	400 A	850 A	HDL36050T	HGL36050T	HJL36050T	HLL36050T
60 A	800 A	1450 A	HDL36060T	HGL36060T	HJL36060T	HLL36060T
70 A	800 A	1450 A	HDL36070T	HGL36070T	HJL36070T	HLL36070T
80 A	800 A	1450 A	HDL36080T	HGL36080T	HJL36080T	HLL36080T
90 A	800 A	1450 A	HDL36090T	HGL36090T	HJL36090T	HLL36090T
100 A	900 A	1700 A	HDL36100T	HGL36100T	HJL36100T	HLL36100T
110 A	900 A	1700 A	HDL36110T	HGL36110T	HJL36110T	HLL36110T
125 A	900 A	1700 A	HDL36125T	HGL36125T	HJL36125T	HLL36125T
150 A	900 A	1700 A	HDL36150T	HGL36150T	HJL36150T	HLL36150T

- ¹ Standard lug kit: AL150HD. Terminal wire range: 14–3/0 AWG Al or Cu.
- ² Circuit breakers will be labeled with Line and Load markings and are not suitable for reverse connections. Available on three-pole circuit breakers. Not allowed in I-Line, plug-in, or drawout devices. Not available in R interrupting rating.
- ³ UL Listed/CSA Certified as current-limiting circuit breakers.
- ⁴ For 100% rated circuit breakers replace the "T" suffix with "R." Not available in I-Line, plug-in, or drawout constructions. Not available in R interrupting rating.

Table 27: J-Frame 250 A Circuit Breaker Frame with Field-Interchangeable Thermal-Magnetic Trip Units¹ (Three-Pole, 600 Vac, 250 Vdc)

Ampere Rating	Adjustable AC Magnetic Trip		Interrupting Rating			
			D	G	J ²	L ³
	Low	High	Cat. No.	Cat. No.	Cat. No.	Cat. No.
150 A ³	750 A	1500 A	JDL36150T ⁴	JGL36150T	JJL36150T	JLL36150T
175 A ³	875 A	1750 A	JDL36175T	JGL36175T	JJL36175T	JLL36175T
200 A ⁵	1000 A	2000 A	JDL36200T	JGL36200T	JJL36200T	JLL36200T
225 A ⁵	1125 A	2250 A	JDL36225T	JGL36225T	JJL36225T	JLL36225T
250 A ⁵	1250 A	2500 A	JDL36250T	JGL36250T	JJL36250T	JLL36250T

- ¹ Circuit breakers will be labeled with Line and Load markings and are not suitable for reverse connections. Available on three-pole circuit breakers. Not allowed in I-Line, plug-in, or drawout devices. Not available in R interrupting rating.
- ² UL Listed/CSA Certified as current-limiting circuit breakers.
- ³ Standard lug kit: AL175JD. Terminal wire range: 4–4/0 AWG Al or Cu.
- ⁴ For 100% rated circuit breakers replace the "T" suffix with "R." Not available in I-Line, plug-in, or drawout constructions. Not available in R interrupting rating.
- ⁵ Standard lug kit: AL250JD. Terminal wire range: 3/0 AWG–350 kcmil Al or Cu.

PowerPact H-, J-, and L-Frame Circuit Breakers Circuit Breakers

Table 28: H-Frame 150 A and J-Frame 250 A Three-Pole Circuit Breakers with Lugs and Field-Interchangeable Electronic Trip Units^{1, 2} (Standard (80%) Rated, 600 Vac, 50/60 Hz)

Electronic Trip Unit			Sensor Size	Interrupting Rating			
Type	Function	Trip Unit		D	G	J ³	L ³
Standard	LI	3.2	60 A ⁴	HDL36060TU31X ⁵	HGL36060TU31X	HJL36060TU31X	HLL36060TU31X
			100 A ⁴	HDL36100TU31X	HGL36100TU31X	HJL36100TU31X	HLL36100TU31X
			150 A ⁴	HDL36150TU31X	HGL36150TU31X	HJL36150TU31X	HLL36150TU31X
			250 A ⁶	JDL36250TU31X	JGL36250TU31X	JJL36250TU31X	JLL36250TU31X
Standard	LSI	3.2S	60 A ⁴	HDL36060TU33X	HGL36060TU33X	HJL36060TU33X	HLL36060TU33X
			100 A ⁴	HDL36100TU33X	HGL36100TU33X	HJL36100TU33X	HLL36100TU33X
			150 A ⁴	HDL36150TU33X	HGL36150TU33X	HJL36150TU33X	HLL36150TU33X
			250 A ⁶	JDL36250TU33X	JGL36250TU33X	JJL36250TU33X	JLL36250TU33X
Ammeter	LSI	5.2A	60 A ⁴	HDL36060TU43X	HGL36060TU43X	HJL36060TU43X	HLL36060TU43X
			100 A ⁴	HDL36100TU43X	HGL36100TU43X	HJL36100TU43X	HLL36100TU43X
			150 A ⁴	HDL36150TU43X	HGL36150TU43X	HJL36150TU43X	HLL36150TU43X
			250 A ⁶	JDL36250TU43X	JGL36250TU43X	JJL36250TU43X	JLL36250TU43X
Energy	LSI	5.2E	60 A ⁴	HDL36060TU53X	HGL36060TU53X	HJL36060TU53X	HLL36060TU53X
			100 A ⁴	HDL36100TU53X	HGL36100TU53X	HJL36100TU53X	HLL36100TU53X
			150 A ⁴	HDL36150TU53X	HGL36150TU53X	HJL36150TU53X	HLL36150TU53X
			250 A ⁶	JDL36250TU53X	JGL36250TU53X	JJL36250TU53X	JLL36250TU53X
Ammeter	LSIG	6.2A	60 A ⁴	HDL36060TU44X	HGL36060TU44X	HJL36060TU44X	HLL36060TU44X
			100 A ⁴	HDL36100TU44X	HGL36100TU44X	HJL36100TU44X	HLL36100TU44X
			150 A ⁴	HDL36150TU44X	HGL36150TU44X	HJL36150TU44X	HLL36150TU44X
			250 A ⁶	JDL36250TU44X	JGL36250TU44X	JJL36250TU44X	JLL36250TU44X
Energy	LSIG	6.2E	60 A ⁴	HDL36060TU54X	HGL36060TU54X	HJL36060TU54X	HLL36060TU54X
			100 A ⁴	HDL36100TU54X	HGL36100TU54X	HJL36100TU54X	HLL36100TU54X
			150 A ⁴	HDL36150TU54X	HGL36150TU54X	HJL36150TU54X	HLL36150TU54X
			250 A ⁶	JDL36250TU54X	JGL36250TU54X	JJL36250TU54X	JLL36250TU54X

¹ Circuit breakers will be labeled with Line and Load markings and are not suitable for reverse connections.

² Available on three-pole circuit breakers. Not allowed in I-Line devices. Not available in R interrupting ratings.

³ UL Listed/CSA Certified as current-limiting circuit breakers.

⁴ Standard lug kit: AL150HD. Terminal wire range: 14–3/0 AWG Al or Cu.

⁵ For 100% rated circuit breakers replace the “T” suffix with “R.” Not available in I-Line, plug-in, or drawout constructions. Not available in R interrupting rating.

⁶ Standard lug kit: AL250JD. Terminal wire range: 3/0 AWG–350 kcmil Al or Cu.

For smaller wire range (4–4/0 AWG Al or Cu), replace the lug’s wire binding screws with the larger binding screws provided.

Table 29: H-Frame and J-Frame Three-Pole Field-Installable Thermal-Magnetic Trip Units



15–60 A H-Frame		70–150 A H-Frame		150–250 A J-Frame	
Amperage	Cat. No.	Amperage	Cat. No.	Amperage	Cat. No.
15 A	HT3015	70 A	HT3070	150 A	JT3150
20 A	HT3020	80 A	HT3080	175 A	JT3175
25 A	HT3025	90 A	HT3090	200 A	JT3200
30 A	HT3030	100 A	HT3100	225 A	JT3225
35 A	HT3035	110 A	HT3110	250 A	JT3250
40 A	HT3040	125 A	HT3125	—	—
45 A	HT3045	150 A	HT3150	—	—
50 A	HT3050	—	—	—	—
60 A	HT3060	—	—	—	—

PowerPact H-, J-, and L-Frame Circuit Breakers

Circuit Breakers

Table 30: H-Frame and J-Frame Three-Pole Field-Installable Micrologic Electronic Trip Units¹

Electronic Trip Unit			Ampere Settings	Trip Unit Cat. No.
Type	Function	Trip Unit		
Standard	LI	3.2	15-20-25-30-35-40-45-50-60	HE3060U31X
			35-40-45-50-60-70-80-90-100	HE3100U31X
			50-60-70-80-90-100-110-125-150	HE3150U31X
			70-80-100-125-150-175-200-225-250	JE3250U31X
Standard	LSI	3.2S	15-20-25-30-35-40-45-50-60	HE3060U33X
			35-40-45-50-60-70-80-90-100	HE3100U33X
			50-60-70-80-90-100-110-125-150	HE3150U33X
			70-80-100-125-150-175-200-225-250	JE3250U33X
Ammeter	LSI	5.2A	15-60	HE3060U43X
			35-100	HE3100U43X
			50-150	HE3150U43X
			70-250	JE3250U43X
Ammeter	LSIG	6.2A	15-60	HE3060U44X
			35-100	HE3100U44X
			50-150	HE3150U44X
			70-250	JE3250U44X
Energy	LSI	5.2E	15-60	HE3060U53X
			35-100	HE3100U53X
			50-150	HE3150U53X
			70-250	JE3250U53X
Energy	LSIG	6.2E	15-60	HE3060U54X
			35-100	HE3100U54X
			50-150	HE3150U54X
			70-250	JE3250U54X

¹ Electronic trip units cannot be used for DC applications.

Table 31: H-Frame 150A and J-Frame 250 A Three-Pole Basic Circuit Breaker Frame Without Terminations or Trip Unit (600 Vac, 250 Vdc¹)

Circuit Breaker Frame	Ampere Rating	Interrupting Rating			
		D	G	J ²	L ²
		Cat. No.	Cat. No.	Cat. No.	Cat. No.
H-Frame ³	15-60 A	HDF36000F06	HGF36000F06	HJF36000F06	HLF36000F06
	70-150 A	HDF36000F15	HGF36000F15	HJF36000F15	HLF36000F15
J-Frame	150-250 A	JDF36000F25	JGF36000F25	JJF36000F25	JLF36000F25

¹ Not suitable for reverse connection.

² UL Listed/CSA Certified as current-limiting circuit breakers.

³ Field-installed trip units must match frame ampere rating.

L-Frame Circuit Breaker Catalog Numbers

Unit-Mount Circuit Breaker Catalog Numbers

**Table 32: L-Frame 600 A Electronic Trip UL Rated Three-Pole Circuit Breakers
(600 Vac, 50/60 Hz) With Factory Sealed Trip Unit Suitable for Reverse Connection**

Electronic Trip Unit			Sensor Rating	Interrupting Rating (2nd Letter of Catalog Number)				
Type	Function	Trip Unit		D	G	J ¹	L ¹	R ¹
Standard (80%) Rated, 600 Vac, 50/60 Hz								
Standard	LI	3.3 ²	250 A ³	LDL36250U31X	LGL36250U31X	LJL36250U31X	LLL36250U31X	LRL36250U31X
			400 A ⁴	LDL36400U31X	LGL36400U31X	LJL36400U31X	LLL36400U31X	LRL36400U31X
			600 A ⁴	LDL36600U31X	LGL36600U31X	LJL36600U31X	LLL36600U31X	LRL36600U31X
Standard	LSI	3.3S ²	250 A ³	LDL36250U33X	LGL36250U33X	LJL36250U33X	LLL36250U33X	LRL36250U33X
			400 A ⁴	LDL36400U33X	LGL36400U33X	LJL36400U33X	LLL36400U33X	LRL36400U33X
			600 A ⁴	LDL36600U33X	LGL36600U33X	LJL36600U33X	LLL36600U33X	LRL36600U33X
Ammeter	LSI	5.3A	400 A ⁴	LDL36400U43X	LGL36400U43X	LJL36400U43X	LLL36400U43X	LRL36400U43X
			600 A ⁴	LDL36600U43X	LGL36600U43X	LJL36600U43X	LLL36600U43X	LRL36600U43X
Energy	LSI	5.3E	400 A ⁴	LDL36400U53X	LGL36400U53X	LJL36400U53X	LLL36400U53X	LRL36400U53X
			600 A ⁴	LDL36600U53X	LGL36600U53X	LJL36600U53X	LLL36600U53X	LRL36600U53X
Ammeter	LSIG	6.3A ⁵	400 A ⁴	LDL36400U44X	LGL36400U44X	LJL36400U44X	LLL36400U44X	LRL36400U44X
			600 A ⁴	LDL36600U44X	LGL36600U44X	LJL36600U44X	LLL36600U44X	LRL36600U44X
Energy	LSIG	6.3E	400 A ⁴	LDL36400U54X	LGL36400U54X	LJL36400U54X	LLL36400U54X	LRL36400U54X
			600 A ⁴	LDL36600U54X	LGL36600U54X	LJL36600U54X	LLL36600U54X	LRL36600U54X
100% Rated, 600 Vac, 50/60 Hz								
Standard	LI	3.3 ²	250 A ³	LDL36250CU31X	LGL36250CU31X	LJL36250CU31X	LLL36250CU31X	LRL36250CU31X
			400 A ⁴	LDL36400CU31X	LGL36400CU31X	LJL36400CU31X	LLL36400CU31X	LRL36400CU31X
Standard	LSI	3.3S ²	250 A ³	LDL36250CU33X	LGL36250CU33X	LJL36250CU33X	LLL36250CU33X	LRL36250CU33X
			400 A ⁴	LDL36400CU33X	LGL36400CU33X	LJL36400CU33X	LLL36400CU33X	LRL36400CU33X
Ammeter	LSI	5.3A	400 A ⁴	LDL36400CU43X	LGL36400CU43X	LJL36400CU43X	LLL36400CU43X	LRL36400CU43X
Energy	LSI	5.3E	400 A ⁴	LDL36400CU53X	LGL36400CU53X	LJL36400CU53X	LLL36400CU53X	LRL36400CU53X
Ammeter	LSIG	6.3A ⁵	400 A ⁴	LDL36400CU44X	LGL36400CU44X	LJL36400CU44X	LLL36400CU44X	LRL36400CU44X
Energy	LSIG	6.3E	400 A ⁴	LDL36400CU54X	LGL36400CU54X	LJL36400CU54X	LLL36400CU54X	LRL36400CU54X

¹ UL Listed/CSA Certified as current-limiting circuit breakers.

² Three-pole circuit breakers with this trip unit can be used for two-pole applications.

³ Standard lug kit: AL400L61K3. Terminal wire range: (1) 2 AWG–600 kcmil Cu or (1) 2 AWG–500 kcmil Al. Type of terminal shield: short.

⁴ Standard lug kit: AL600LS52K3. Terminal wire range: (2) 2/0 AWG–500 kcmil Al/Cu. Type of terminal shield: medium.

⁵ Three-pole circuit breakers with this trip unit can be used for two-pole applications in order to have ground fault protection. Additional metering capabilities will not work properly on the unconnected phase.

PowerPact H-, J-, and L-Frame Circuit Breakers

Circuit Breakers

Table 33: L-Frame 600 A Mission Critical Standard (100%¹) Rated Electronic Trip UL Rated Three-Pole Circuit Breakers (480Y/277 Vac, 50/60 Hz) With Factory Sealed Trip Unit Suitable for Reverse Connection

Electronic Trip Unit			Sensor Rating	Interrupting Rating (2nd Letter of Catalog Number)			
Type	Function	Trip Unit		D	G	J	L
Standard	LI	3.3-W	250 A ²	LDL34250WU31X	LGL34250WU31X	LJL34250WU31X	LLL34250WU31X
			400 A ³	LDL34400WU31X	LGL34400WU31X	LJL34400WU31X	LLL34400WU31X
			600 A ³	LDL34600WU31X	LGL34600WU31X	LJL34600WU31X	LLL34600WU31X
Standard	LSI	3.3S-W	250 A ²	LDL34250WU33X	LGL34250WU33X	LJL34250WU33X	LLL34250WU33X
			400 A ³	LDL34400WU33X	LGL34400WU33X	LJL34400WU33X	LLL34400WU33X
			600 A ³	LDL34600WU33X	LGL34600WU33X	LJL34600WU33X	LLL34600WU33X
Ammeter	LSI	5.3A-W	400 A ³	LDL34400WU43X	LGL34400WU43X	LJL34400WU43X	LLL34400WU43X
			600 A ³	LDL34600WU43X	LGL34600WU43X	LJL34600WU43X	LLL34600WU43X
Energy	LSI	5.3E-W	400 A ³	LDL34400WU53X	LGL34400WU53X	LJL34400WU53X	LLL34400WU53X
			600 A ³	LDL34600WU53X	LGL34600WU53X	LJL34600WU53X	LLL34600WU53X
Ammeter	LSIG	6.3A-W	400 A ³	LDL34400WU44X	LGL34400WU44X	LJL34400WU44X	LLL34400WU44X
			600 A ³	LDL34600WU44X	LGL34600WU44X	LJL34600WU44X	LLL34600WU44X
Energy	LSIG	6.3E-W	400 A ³	LDL34400WU54X	LGL34400WU54X	LJL34400WU54X	LLL34400WU54X
			600 A ³	LDL34600WU54X	LGL34600WU54X	LJL34600WU54X	LLL34600WU54X

¹ Standard rating is 100% for 250 and 400 A only. Standard rating is 80% for 600 A.

² Standard lug kit: AL400L61K3. Terminal wire range: (1) 2 AWG–600 kcmil Cu or (1) 2 AWG–500 kcmil Al. Type of terminal shield: short.

³ Standard lug kit: AL600LS52K3. Terminal wire range: (2) 2/0 AWG–500 kcmil Al/Cu. Type of terminal shield: medium.

PowerPact H-, J-, and L-Frame Circuit Breakers Circuit Breakers

Table 34: L-Frame 600 A Electronic Trip UL Rated Four-Pole Circuit Breakers (600 Vac, 50/60 Hz) With Factory Sealed Trip Unit Suitable for Reverse Connection

Electronic Trip Unit			Sensor Rating	Interrupting Rating (2nd Letter of Catalog Number)				
Type	Function	Trip Unit		D	G	J ¹	L ¹	R ¹
Standard (80%) Rated, 600 Vac, 50/60 Hz								
Standard	LI	3.3	250 A ²	LDL46250U31X	LGL46250U31X	LJL46250U31X	LLL46250U31X	LRL46250U31X
			400 A ³	LDL46400U31X	LGL46400U31X	LJL46400U31X	LLL46400U31X	LRL46400U31X
			600 A ³	LDL46600U31X	LGL46600U31X	LJL46600U31X	LLL46600U31X	LRL46600U31X
Standard	LSI	3.3S	250 A ²	LDL46250U33X	LGL46250U33X	LJL46250U33X	LLL46250U33X	LRL46250U33X
			400 A ³	LDL46400U33X	LGL46400U33X	LJL46400U33X	LLL46400U33X	LRL46400U33X
			600 A ³	LDL46600U33X	LGL46600U33X	LJL46600U33X	LLL46600U33X	LRL46600U33X
Ammeter	LSI	5.3A	400 A ³	LDL46400U43X	LGL46400U43X	LJL46400U43X	LLL46400U43X	LRL46400U43X
			600 A ³	LDL46600U43X	LGL46600U43X	LJL46600U43X	LLL46600U43X	LRL46600U43X
Energy	LSI	5.3E	400 A ³	LDL46400U53X	LGL46400U53X	LJL46400U53X	LLL46400U53X	LRL46400U53X
			600 A ³	LDL46600U53X	LGL46600U53X	LJL46600U53X	LLL46600U53X	LRL46600U53X
Ammeter	LSIG	6.3A	400 A ³	LDL46400U44X	LGL46400U44X	LJL46400U44X	LLL46400U44X	LRL46400U44X
			600 A ³	LDL46600U44X	LGL46600U44X	LJL46600U44X	LLL46600U44X	LRL46600U44X
Energy	LSIG	6.3E	400 A ³	LDL46400U54X	LGL46400U54X	LJL46400U54X	LLL46400U54X	LRL46400U54X
			600 A ³	LDL46600U54X	LGL46600U54X	LJL46600U54X	LLL46600U54X	LRL46600U54X
100% Rated, 600 Vac, 50/60 Hz								
Standard	LI	3.3	250 A ²	LDL46250CU31X	LGL46250CU31X	LJL46250CU31X	LLL46250CU31X	LRL46250CU31X
			400 A ³	LDL46400CU31X	LGL46400CU31X	LJL46400CU31X	LLL46400CU31X	LRL46400CU31X
Standard	LSI	3.3S	250 A ²	LDL46250CU33X	LGL46250CU33X	LJL46250CU33X	LLL46250CU33X	LRL46250CU33X
			400 A ³	LDL46400CU33X	LGL46400CU33X	LJL46400CU33X	LLL46400CU33X	LRL46400CU33X
Ammeter	LSI	5.3A	400 A ³	LDL46400CU43X	LGL46400CU43X	LJL46400CU43X	LLL46400CU43X	LRL46400CU43X
Energy	LSI	5.3E	400 A ³	LDL46400CU53X	LGL46400CU53X	LJL46400CU53X	LLL46400CU53X	LRL46400CU53X
Ammeter	LSIG	6.3A	400 A ³	LDL46400CU44X	LGL46400CU44X	LJL46400CU44X	LLL46400CU44X	LRL46400CU44X
Energy	LSIG	6.3E	400 A ³	LDL46400CU54X	LGL46400CU54X	LJL46400CU54X	LLL46400CU54X	LRL46400CU54X

¹ UL Listed/CSA Certified as current-limiting circuit breakers.

² Standard lug kit: AL400L61K4. Terminal wire range: (1) 2 AWG–600 kcmil Cu or (1) 2 AWG–500 kcmil Al. Type of terminal shield: short.

³ Standard lug kit: AL600LS52K4. Terminal wire range: (2) 2/0 AWG–500 kcmil Al/Cu. Type of terminal shield: medium.

Table 35: L-Frame 600 A Mission Critical Standard (80%) Rated Electronic Trip UL Rated Four-Pole Circuit Breakers (480Y/277 Vac, 50/60 Hz) With Factory Sealed Trip Unit Suitable for Reverse Connection

Electronic Trip Unit			Sensor Rating	Interrupting Rating (2nd Letter of Catalog Number)			
Type	Function	Trip Unit		D	G	J	L
Standard	LI	3.3-W	250 A ¹	LDL44250WU31X	LGL44250WU31X	LJL44250WU31X	LLL44250WU31X
			400 A ²	LDL44400WU31X	LGL44400WU31X	LJL44400WU31X	LLL44400WU31X
			600 A ²	LDL44600WU31X	LGL44600WU31X	LJL44600WU31X	LLL44600WU31X
Standard	LSI	3.3S-W	250 A ¹	LDL44250WU33X	LGL44250WU33X	LJL44250WU33X	LLL44250WU33X
			400 A ²	LDL44400WU33X	LGL44400WU33X	LJL44400WU33X	LLL44400WU33X
			600 A ²	LDL44600WU33X	LGL44600WU33X	LJL44600WU33X	LLL44600WU33X
Ammeter	LSI	5.3A-W	400 A ²	LDL44400WU43X	LGL44400WU43X	LJL44400WU43X	LLL44400WU43X
			600 A ²	LDL44600WU43X	LGL44600WU43X	LJL44600WU43X	LLL44600WU43X
Energy	LSI	5.3E-W	400 A ²	LDL44400WU53X	LGL44400WU53X	LJL44400WU53X	LLL44400WU53X
			600 A ²	LDL44600WU53X	LGL44600WU53X	LJL44600WU53X	LLL44600WU53X
Ammeter	LSIG	6.3A-W	400 A ²	LDL44400WU44X	LGL44400WU44X	LJL44400WU44X	LLL44400WU44X
			600 A ²	LDL44600WU44X	LGL44600WU44X	LJL44600WU44X	LLL44600WU44X
Energy	LSIG	6.3E-W	400 A ²	LDL44400WU54X	LGL44400WU54X	LJL44400WU54X	LLL44400WU54X
			600 A ²	LDL44600WU54X	LGL44600WU54X	LJL44600WU54X	LLL44600WU54X

¹ Standard lug kit: AL400L61K4. Terminal wire range: (1) 2 AWG–600 kcmil Cu or (1) 2 AWG–500 kcmil Al. Type of terminal shield: short.

² Standard lug kit: AL600LS52K4. Terminal wire range: (2) 2/0 AWG–500 kcmil Al/Cu. Type of terminal shield: medium.

PowerPact H-, J-, and L-Frame Circuit Breakers

Circuit Breakers

I-Line Circuit Breaker Catalog Numbers

Table 36: L-Frame 600 A I-Line Standard (80%) Rated Electronic Trip UL Rated Circuit Breakers (600 Vac, 50/60 Hz) With Factory Sealed Trip Unit Suitable for Reverse Connection

Electronic Trip Unit			Sensor Rating	Interrupting Rating				
Type	Function	Trip Unit		D	G	J ¹	L ³	R ³
Standard	LI	3.3 ²	250 A ³	LDA36250U31X	LGA36250U31X	LJA36250U31X	LLA36250U31X	LRA36250U31X
			400 A ⁴	LDA36400U31X	LGA36400U31X	LJA36400U31X	LLA36400U31X	LRA36400U31X
			600 A ⁴	LDA36600U31X	LGA36600U31X	LJA36600U31X	LLA36600U31X	LRA36600U31X
Standard	LSI	3.3S ²	250 A ³	LDA36250U33X	LGA36250U33X	LJA36250U33X	LLA36250U33X	LRA36250U33X
			400 A ⁴	LDA36400U33X	LGA36400U33X	LJA36400U33X	LLA36400U33X	LRA36400U33X
			600 A ⁴	LDA36600U33X	LGA36600U33X	LJA36600U33X	LLA36600U33X	LRA36600U33X
Ammeter	LSI	5.3A	400 A ^{4,4}	LDA36400U43X	LGA36400U43X	LJA36400U43X	LLA36400U43X	LRA36400U43X
			600 A ⁴	LDA36600U43X	LGA36600U43X	LJA36600U43X	LLA36600U43X	LRA36600U43X
Energy	LSI	5.3E	400 A ⁴	LDA36400U53X	LGA36400U53X	LJA36400U53X	LLA36400U53X	LRA36400U53X
			600 A ⁴	LDA36600U53X	LGA36600U53X	LJA36600U53X	LLA36600U53X	LRA36600U53X
Ammeter	LSIG	6.3A ⁵	400 A ⁴	LDA36400U44X	LGA36400U44X	LJA36400U44X	LLA36400U44X	LRA36400U44X
			600 A ⁴	LDA36600U44X	LGA36600U44X	LJA36600U44X	LLA36600U44X	LRA36600U44X
Energy	LSIG	6.3E	400 A ⁴	LDA36400U54X	LGA36400U54X	LJA36400U54X	LLA36400U54X	LRA36400U54X
			600 A ⁴	LDA36600U54X	LGA36600U54X	LJA36600U54X	LLA36600U54X	LRA36600U54X

¹ UL Listed/CSA Certified as current-limiting circuit breakers.

² Three-pole circuit breakers with this trip unit can be used for two-pole applications.

³ Standard lug kit: AL400L61K3. Terminal wire range: (1) 2 AWG–600 kcmil Cu or (1) 2 AWG–500 kcmil Al. Type of terminal shield: short.

⁴ Standard lug kit: AL600LF52K3. Terminal wire range: (2) 3/0 AWG–500 kcmil Al/Cu. Type of terminal shield: short.

⁵ Three-pole circuit breakers with this trip unit can be used for two-pole applications in order to have ground fault protection. Additional metering capabilities will not work properly on the unconnected phase.

Table 37: L-Frame 600 A Mission Critical I-Line Standard (80%) Rated Electronic Trip UL Rated Circuit Breakers (480/277 Vac, 50/60 Hz) With Factory Sealed Trip Unit Suitable for Reverse Connection

Electronic Trip Unit			Sensor Rating	Interrupting Rating			
Type	Function	Trip Unit		D	G	J	L
Standard	LI	3.3-W	250 A ¹	LDA34250WU31X	LGA34250WU31X	LJA34250WU31X	LLA34250WU31X
			400 A ²	LDA34400WU31X	LGA34400WU31X	LJA34400WU31X	LLA34400WU31X
			600 A ²	LDA34600WU31X	LGA34600WU31X	LJA34600WU31X	LLA34600WU31X
Standard	LSI	3.3S-W	250 A ¹	LDA34250WU33X	LGA34250WU33X	LJA34250WU33X	LLA34250WU33X
			400 A ²	LDA34400WU33X	LGA34400WU33X	LJA34400WU33X	LLA34400WU33X
			600 A ²	LDA34600WU33X	LGA34600WU33X	LJA34600WU33X	LLA34600WU33X
Ammeter	LSI	5.3A-W	400 A ²	LDA34400WU43X	LGA34400WU43X	LJA34400WU43X	LLA34400WU43X
			600 A ²	LDA34600WU43X	LGA34600WU43X	LJA34600WU43X	LLA34600WU43X
Energy	LSI	5.3E-W	400 A ²	LDA34400WU53X	LGA34400WU53X	LJA34400WU53X	LLA34400WU53X
			600 A ²	LDA34600WU53X	LGA34600WU53X	LJA34600WU53X	LLA34600WU53X
Ammeter	LSIG	6.3A-W	400 A ²	LDA34400WU44X	LGA34400WU44X	LJA34400WU44X	LLA34400WU44X
			600 A ²	LDA34600WU44X	LGA34600WU44X	LJA34600WU44X	LLA34600WU44X
Energy	LSIG	6.3E-W	400 A ²	LDA34400WU54X	LGA34400WU54X	LJA34400WU54X	LLA34400WU54X
			600 A ²	LDA34600WU54X	LGA34600WU54X	LJA34600WU54X	LLA34600WU54X

¹ Standard lug kit: AL400L61K3. Terminal wire range: (1) 2 AWG–600 kcmil Cu or (1) 2 AWG–500 kcmil Al. Type of terminal shield: short.

² Standard lug kit: AL600LS52K3. Terminal wire range: (2) 2/0 AWG–500 kcmil Al/Cu. Type of terminal shield: medium.

PowerPact H-, J-, and L-Frame Circuit Breakers Circuit Breakers

Table 38: L-Frame 250 A and 400 A I-Line 100% Rated Electronic Trip UL Rated Circuit Breakers (600 Vac, 50/60 Hz) With Factory Sealed Trip Unit Suitable for Reverse Connection

Electronic Trip Unit			Sensor Rating	Interrupting Rating				
Type	Function	Trip Unit		D	G	J ¹	L ³	R ³
Standard	LI	3.3 ²	250 A ³	LDA36250CU31X	LGA36250CU31X	LJA36250CU31X	LLA36250CU31X	LRA36250CU31X
			400 A ⁴	LDA36400CU31X	LGA36400CU31X	LJA36400CU31X	LLA36400CU31X	LRA36400CU31X
Standard	LSI	3.3S ²	250 A ³	LDA36250CU33X	LGA36250CU33X	LJA36250CU33X	LLA36250CU33X	LRA36250CU33X
			400 A ⁴	LDA36400CU33X	LGA36400CU33X	LJA36400CU33X	LLA36400CU33X	LRA36400CU33X
Ammeter	LSI	5.3A	400 A ⁴	LDA36400CU43X	LGA36400CU43X	LJA36400CU43X	LLA36400CU43X	LRA36400CU43X
Energy	LSI	5.3E	400 A ⁴	LDA36400CU53X	LGA36400CU53X	LJA36400CU53X	LLA36400CU53X	LRA36400CU53X
Ammeter	LSIG	6.3A ⁵	400 A ⁴	LDA36400CU44X	LGA36400CU44X	LJA36400CU44X	LLA36400CU44X	LRA36400CU44X
Energy	LSIG	6.3E	400 A ⁴	LDA36400CU54X	LGA36400CU54X	LJA36400CU54X	LLA36400CU54X	LRA36400CU54X

¹ UL Listed/CSA Certified as current-limiting circuit breakers.

² Three-pole circuit breakers with this trip unit can be used for two-pole applications.

³ Standard lug kit: AL400L61K3. Terminal wire range: (1) 2 AWG–600 kcmil Cu or (1) 2 AWG–500 kcmil Al. Type of terminal shield: short.

⁴ Standard lug kit: AL600LS52K3. Terminal wire range: (2) 2/0 AWG–500 kcmil Al/Cu. Type of terminal shield: medium.

⁵ Three-pole circuit breakers with this trip unit can be used for two-pole applications in order to have ground fault protection. Additional metering capabilities will not work properly on the unconnected phase.

Circuit Breakers with Field-Interchangeable Trip Units Catalog Numbers

Table 39: L-Frame 3 Pole, 600 A Circuit Breakers with Lugs and Field-Interchangeable Electronic Trip Units (600 Vac, 50/60 Hz)^{1, 2}

Electronic Trip Unit			Sensor Rating	Interrupting Rating			
Type	Function	Trip Unit		D	G	J ³	L ³
Standard (80% Rated), 600 Vac, 50/60 Hz							
Standard	LI	3.3	250 A ⁴	LDL36250TU31X	LGL36250TU31X	LJL36250TU31X	LLL36250TU31X
			400 A ⁵ 600 A ⁵	LDL36400TU31X LDL36600TU31X	LGL36400TU31X LGL36600TU31X	LJL36400TU31X LJL36600TU31X	LLL36400TU31X LLL36600TU31X
Standard	LSI	3.3S	250 A ⁴	LDL36250TU33X	LGL36250TU33X	LJL36250TU33X	LLL36250TU33X
			400 A ⁵ 600 A ⁵	LDL36400TU33X LDL36600TU33X	LGL36400TU33X LGL36600TU33X	LJL36400TU33X LJL36600TU33X	LLL36400TU33X LLL36600TU33X
Ammeter	LSI	5.3A	400 A ⁵ 600 A ⁵	LDL36400TU43X LDL36600TU43X	LGL36400TU43X LGL36600TU43X	LJL36400TU43X LJL36600TU43X	LLL36400TU43X LLL36600TU43X
Energy	LSI	5.3E	400 A ⁵ 600 A ⁵	LDL36400TU53X LDL36600TU53X	LGL36400TU53X LGL36600TU53X	LJL36400TU53X LJL36600TU53X	LLL36400TU53X LLL36600TU53X
Ammeter	LSIG	6.3A	400 A ⁵ 600 A ⁵	LDL36400TU44X LDL36600TU44X	LGL36400TU44X LGL36600TU44X	LJL36400TU44X LJL36600TU44X	LLL36400TU44X LLL36600TU44X
Energy	LSIG	6.3E	400 A ⁵ 600 A ⁵	LDL36400TU54X LDL36600TU54X	LGL36400TU54X LGL36600TU54X	LJL36400TU54X LJL36600TU54X	LLL36400TU54X LLL36600TU54X
100% Rated, 600 Vac, 50/60 Hz⁶							
Standard	LI	3.3	250 A ⁴	LDL36250RU31X	LGL36250RU31X	LJL36250RU31X	LLL36250RU31X
			400 A ⁵	LDL36400RU31X	LGL36400RU31X	LJL36400RU31X	LLL36400RU31X
Standard	LSI	3.3S	250 A ⁴	LDL36250RU33X	LGL36250RU33X	LJL36250RU33X	LLL36250RU33X
			400 A ⁵	LDL36400RU33X	LGL36400RU33X	LJL36400RU33X	LLL36400RU33X
Ammeter	LSI	5.3A	400 A ⁵	LDL36400RU43X	LGL36400RU43X	LJL36400RU43X	LLL36400RU43X
Energy	LSI	5.3E	400 A ⁵	LDL36400RU53X	LGL36400RU53X	LJL36400RU53X	LLL36400RU53X
Ammeter	LSIG	6.3A	400 A ⁵	LDL36400RU44X	LGL36400RU44X	LJL36400RU44X	LLL36400RU44X
Energy	LSIG	6.3E	400 A ⁵	LDL36400RU54X	LGL36400RU54X	LJL36400RU54X	LLL36400RU54X

¹ Circuit breakers will be labeled with Line and Load markings and are not suitable for reverse connections.

² Only available on three-pole unit-mount circuit breakers. Not available in R interrupting rating. Not available with I-Line.

³ UL Listed/CSA Certified as current-limiting circuit breakers.

⁴ Standard lug kit: AL400L61K3. Terminal wire range: (1) 2 AWG–600 kcmil Cu or (1) 2 AWG–500 kcmil Al. Type of terminal shield: short.

⁵ Standard lug kit: AL600LS52K3. Terminal wire range: (2) 2/0 AWG–500 kcmil Al/Cu. Type of terminal shield: medium.

⁶ Not available in I-Line, plug-in, or drawout constructions. Not available in R interrupting rating.

PowerPact H-, J-, and L-Frame Circuit Breakers

Circuit Breakers

Table 40: L-Frame 600 A, 3 Pole, Basic Circuit Breaker Frame Without Terminations or Trip Units (600 Vac, 50/60 Hz)¹

Ampere Rating	Interrupting Rating			
	D	G	J ²	L ²
250 A (70–250 A)	LDF36000F25	LGF36000F25	LJF36000F25	LLF36000F25
400 A (125–400 A)	LDF36000F40	LGF36000F40	LJF36000F40	LLF36000F40
600 A (200–600 A)	LDF36000F60	LGF36000F60	LJF36000F60	LLF36000F60

¹ Not suitable for reverse connection.

² UL Listed/CSA Certified as current-limiting

Table 41: L-Frame Three-Pole Field-Installable Micrologic Electronic Trip Units

Electronic Trip Unit			Ampere Setting	Trip Unit Cat. No.
Type	Function	Trip Unit		
Standard	LI	3.3	70-80-100-125-150-175-200-225-250 125-150-175-200-225-250-300-350-400 200-225-250-300-350-400-450-500-600	LE3250U31X LE3400U31X LE3600U31X
	LSI	3.3S	70-80-100-125-150-175-200-225-250 125-150-175-200-225-250-300-350-400 200-225-250-300-350-400-450-500-600	LE3250U33X LE3400U33X LE3600U33X
Ammeter	LSI	5.3A	125–400 200–600	LE3400U43X LE3600U43X
	LSIG	6.3A	125–400 200–600	LE3400U44X LE3600U44X
Energy	LSI	5.3E	125–400 200–600	LE3400U53X LE3600U53X
	LSIG	6.3E	125–400 200–600	LE3400U54X LE3600U54X

Section 4—Automatic Switches

Automatic Switch Functions

An automatic switch can be used to open and close a circuit under normal operating conditions. They are similar in construction to circuit breakers, except that the switches open instantaneously at a factory-set, non-adjustable trip point calibrated to protect only the molded case switch.

Molded case switches are intended for use as disconnect devices only. UL489 requires molded case switches to be protected by a circuit breaker or fuse of equivalent rating. Molded case switches are labeled with their appropriate withstand ratings. The withstand rating of a switch is defined as the maximum current at rated voltage that the molded case switch will withstand without damage when protected by a circuit breaker with an equal continuous current rating.

PowerPact™ H-, J-, and L-frame automatic switches are available in unit mount, I-Line™, plug-in and drawout versions. They use the same accessories and offer the same connection possibilities as the circuit-breaker versions. They may be interlocked with another switch or circuit breaker to form a source-changeover system.

Switches are Listed under UL file E103740 and Certified under CSA file LR88980.

Motor Operator

PowerPact H-, J-, and L-frame switches equipped with a motor operator module allow remote closing and opening.

Ground Fault Protection (H- and J-Frame Circuit Breakers Only)

An ELM or GFM module may be added to an automatic switch to monitor all leakage currents in the outgoing circuits of the equipment on which the automatic switch is installed. When the ELM or GFM module detects an earth-leakage current, the automatic switch interrupts the load current.

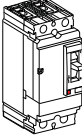
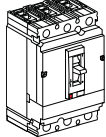
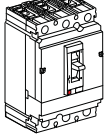
Automatic Switch Protection

The automatic switch can make and break its rated current. For an overload or a short-circuit, it must be protected by an upstream device, in compliance with installation standards. Due to their high-set instantaneous release PowerPact H-, J- and L-frame automatic switches are self-protected.

PowerPact H-, J-, and L-Frame Circuit Breakers Automatic Switches

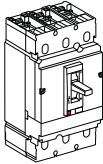
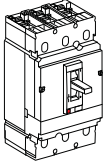
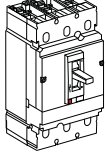
Specifications

Table 42: H-Frame Automatic Molded Case Switch Specifications

Frame		H-Frame					
Withstand Rating		"G"		"L"			
							
UL 489	Poles	Two-Pole	Three-Pole	Two-Pole ¹	Three-Pole		
	Catalog Number	150 A	HGL26000S15	HGL3600S15	HLL26000S15	HLL36000S15	
		175 A	—	—	—	—	
		250 A	—	—	—	—	
	Withstand Ratings	240 Vac	65 kA	65 kA	125 kA	125 kA	
		480 Vac	35 kA	35 kA	100 kA	100 kA	
600 Vac		18 kA	18 kA	50 kA	50 kA		
250 Vdc		20 kA	20 kA	20 kA	20 kA		
AC Trip Point		2250 A	2250 A	2250 A	2250 A		
IEC 60947-3	Rated Insulation Voltage		750 Vac	750 Vac	750 Vac	750 Vac	
	Rated Impulse Withstand Voltage		8 kV	8 kV	8 kV	8 kV	
	Rated Operational Voltage	ac	525 Vac	525 Vac	525 Vac	690 Vac	
dc		—	—	—	—		

¹ Two-pole devices use a three-pole switch frame with the center pole inoperative.

Table 43: J-Frame Automatic Molded Case Switch Specifications

Frame		J-Frame						
Withstand Rating		"G"		"L"		"R"		
								
UL 489	Poles	Two-Pole ¹	Three-Pole	Two-Pole ¹	Three-Pole	Three-Pole		
	Catalog Number	150 A	—	—	—	—	—	
		175 A	JGL26000S17	JGL36000S17	JLL26000S17	JLL36000S17	JRL36000S17	
		250 A	JGL26000S25	JGL36000S25	JLL26000S25	JLL36000S25	JRL36000S25	
	Withstand Ratings	240 Vac	65 kA	65 kA	125 kA	125 kA	200 kA	
		480 Vac	35 kA	35 kA	100 kA	100 kA	200 kA	
600 Vac		18 kA	18 kA	50 kA	50 kA	100 kA		
250 Vdc		20 kA	20 kA	20 kA	20 kA	20 kA		
AC Trip Point		3125 A	3125 A	3125 A	3125 A	3125 A		
IEC 60947-3	Rated Insulation Voltage		750 Vac	750 Vac	750 Vac	750 Vac	750 Vac	
	Rated Impulse Withstand Voltage		8 kV	8 kV	8 kV	8 kV	8 kV	
	Rated Operational Voltage	ac	525 Vac	525 Vac	525 Vac	525 Vac	690 Vac	
dc		500 Vdc	500 Vdc	500 Vdc	500 Vdc	500 Vdc		

¹ Two-pole devices use a three-pole switch frame with the center pole inoperative.

PowerPact H-, J-, and L-Frame Circuit Breakers Automatic Switches

Catalog Numbers

Table 44: PowerPact H-Frame and J-Frame 250 A Unit-Mount Automatic Molded Case Switches, 600 Vac with Factory Sealed Trip Unit (Suitable for Reverse Connection)

Ampere Rating	2-pole	3-pole	Withstand Rating ¹			Trip Point	Standard Lug Kit Terminal Wire Range
	Cat. No.	Cat. No.	240 Vac	480 Vac	600 Vac		
G Withstand							
150 A	HGL26000S15 ²	HGL36000S15	65	35	18	2250 A	AL150HD #14-#3/0 AWG Al or Cu
175 A	JGL26000S17	JGL36000S17	65	35	18	3125 A	AL175JD #4-#4/0 AWG Al or Cu
250 A	JGL26000S25	JGL36000S25	65	35	18	3125 A	AL250JD #3/0-350 kcmil Al or Cu
L Withstand							
150 A	HLL26000S15	HLL36000S15	125	100	50	2250 A	AL150HD #14-#3/0 AWG Al or Cu
175 A	JLL26000S17	JLL36000S17	125	100	50	3125 A	AL175JD #4-#4/0 AWG Al or Cu
250 A	JLL26000S25	JLL36000S25	125	100	50	3125 A	AL250JD #3/0-350 kcmil Al or Cu
R Withstand							
175 A	—	JRL36000S17	200	200	100	3125 A	AL175JD #4-#4/0 AWG Al or Cu
250 A	—	JRL36000S25	200	200	100	3125 A	AL250JD #3/0-350 kcmil Al or Cu

¹ The withstand rating is the fault current, at rated voltage, that the molded case switch will withstand without damage when protected by a circuit breaker or fuse with an equal continuous current rating.

² Two-pole device with 3 in. (76 mm) mounting height, all other two-pole circuit breakers use three-pole switch 4.5 in. (114 mm) mounting height.

Table 45: PowerPact H-Frame and J-Frame I-Line Automatic Molded Case Switches, 600 Vac with Factory Sealed Trip Unit (Suitable for Reverse Connection)

Ampere Rating	2-pole	3-pole	Withstand Rating ¹			Trip Point	Standard Lug Kit Terminal Wire Range
	Cat. No.	Cat. No.	240 Vac	480 Vac	600 Vac		
G Withstand							
150 A	HGA26000S15() ²	HGA36000S15	65	35	18	2250A	AL150HD #14-#3/0 AWG Al or Cu
175 A	JGA26000S17()	JGA36000S17	65	35	18	3125 A	AL175JD #4-#4/0 AWG Al or Cu
250 A	JGA26000S25()	JGA36000S25	65	35	18	3125 A	AL250JD #3/0-350 kcmil Al or Cu
L Withstand							
150 A	HLA26000S15()	HLA36000S15	125	100	50	2250 A	AL150HD #14-#3/0 AWG Al or Cu
175 A	JLA26000S17()	JLA36000S17	125	100	50	3125 A	AL175JD #4-#4/0 AWG Al or Cu
250 A	JLA26000S25()	JLA36000S25	125	100	50	3125 A	AL250JD #3/0-350 kcmil Al or Cu
R Withstand							
175 A	JRA26000S17()	JRA36000S17	200	200	100	3125A	AL175JD #4-#4/0 AWG Al or Cu
250 A	JRA26000S25()	JRA36000S25	200	200	100	3125A	AL250JD #3/0-350 kcmil Al or Cu

¹ The withstand rating is the fault current, at rated voltage, that the molded case switch will withstand without damage when protected by a circuit breaker or fuse with an equal continuous current rating.

² Two-pole device with 3 in. (76 mm) mounting height, all other two-pole circuit breakers use three-pole 4.5 in. (114 mm) mounting height.

PowerPact H-, J-, and L-Frame Circuit Breakers Automatic Switches

Table 46: PowerPact L-Frame 600 A Unit-Mount Automatic Molded Case Switches, 600 Vac

Ampere Rating	Poles ¹	Cat. No.	Withstand Rating ²			Trip Point	Standard Lug Terminal Wire Range
			240 Vac	480 Vac	600 Vac		
Unit-Mount Automatic Molded Case Switches							
G Withstand							
400 A	3	LGL36000S40X	65 kA	35 kA	18 kA	4800 A	AL600LS52K3
600 A		LGL36000S60X	65 kA	35 kA	18 kA	6600 A	(2) 2 AWG–500 kcmil Al/Cu
400 A	4	LGL46000S40X	65 kA	35 kA	18 kA	4800 A	AL600LS52K4
600 A		LGL46000S60X	65 kA	35 kA	18 kA	6600 A	(2) 2 AWG–500 kcmil Al/Cu
L Withstand							
400 A	3	LLL36000S40X	125 kA	100 kA	50 kA	4800 A	AL600LS52K3
600 A		LLL36000S60X	125 kA	100 kA	50 kA	6600 A	(2) 2 AWG–500 kcmil Al/Cu
400 A	4	LLL46000S40X	125 kA	100 kA	50 kA	4800 A	AL600LS52K4
600 A		LLL46000S60X	125 kA	100 kA	50 kA	6600 A	(2) 2 AWG–500 kcmil Al/Cu
R Withstand							
400 A	3	LRL36000S40X	200 kA	200 kA	100 kA	4800 A	AL600LS52K3
600 A		LRL36000S60X	200 kA	200 kA	100 kA	6600 A	(2) 2 AWG–500 kcmil Al/Cu
400 A	4	LRL46000S40X	200 kA	200 kA	100 kA	4800 A	AL600LS52K4
600 A		LRL46000S60X	200 kA	200 kA	100 kA	6600 A	(2) 2 AWG–500 kcmil Al/Cu
I-Line Circuit Breakers Automatic Molded Case Switches							
G Withstand							
400 A	3	LGA36000S40X	65 kA	35 kA	18 kA	4800 A	AL600LF52K3
600 A		LGA36000S60X	65 kA	35 kA	18 kA	6600 A	(2) 3/0 AWG–500 kcmil Al/Cu
L Withstand							
400 A	3	LLA36000S40X	125 kA	100 kA	50 kA	4800 A	AL600LF52K3
600 A		LLA36000S60X	125 kA	100 kA	50 kA	6600 A	(2) 3/0 AWG–500 kcmil Al/Cu
R Withstand							
400 A	3	LRA36000S40X	200 kA	200 kA	100 kA	4800 A	AL600LF52K3
600 A		LRA36000S60X	200 kA	200 kA	100 kA	6600 A	(2) 3/0 AWG–500 kcmil Al/Cu

¹ Four-pole circuit breaker available as bus connected, with lug configurations, and in plug-in, draw-out and rear-connected configurations.

² The withstand rating is the fault current, at rated voltage, that the molded case switch will withstand without damage when protected by a circuit breaker or fuse with an equal continuous current rating.

Table 47: L-Frame Ratings and Withstand Ratings

Circuit Breaker	400 A	600 A		
Number of Poles	3, 4	3, 4		
Ampere Rating (A)	400	600		
UL 489 Ratings				
Rated Voltage (V)	600	600		
IEC 60947-3 ratings				
Rated Insulation Voltage (V)	750	750		
Rated Impulse Withstand Voltage (kV)	8	8		
Rated Operational Voltage	Ue	AC 50/60 Hz		
Rated Operational Current	Ie	AC 525 V		
Making Capacity (kA peak)		7.1		
Short-Time Withstand Current (kA rms)	Icw	Icw (kA ms)	5	6
		Duration (s)	1	1

Section 5—Motor Circuit Protection

General Information

The parameters to be considered for motor-feeder protection depend on:

- the application (type of machine driven, operating safety, frequency of operation, etc.)
- the level of continuity of service required by the load or the application
- the applicable standards for the protection of equipment.

The required electrical functions are:

- isolation
- switching, generally at high endurance levels
- protection against overloads and short-circuits, adapted to the motor
- additional special protection.

A motor branch circuit must comply with the requirements of standard UL 508 concerning contactors and their protection:

- coordination of feeder components
- overload relay trip classes.

Motor Branch Circuit Protection Function

A motor branch circuit comprises a set of devices for motor protection and control, as well as for protection of the branch circuit itself.

Switching

The purpose is to control the motor (ON / OFF), either manually, automatically or remotely, taking into account overloads upon start-up and the long service life required. This function is provided by a contactor. When the coil of the contactor's electromagnet is energized, the contactor closes and establishes, through the poles, the circuit between the upstream supply and the motor, through the circuit breaker.

Basic Protection

- Short-circuit protection
Detection and breaking, as quickly as possible, of high short-circuit currents to avoid damage to the installation. This function is provided by a circuit breaker.
- Overload protection
Detection of overload currents and motor shutdown before temperature rise in the motor and conductors damages insulation. This function is provided by a circuit breaker or a separate motor overload relay.
- Phase unbalance or phase loss protection
Phase unbalance or phase loss can cause temperature rise and braking torques that can lead to premature aging of the motor. These effects are even greater during starting, therefore protection must be virtually immediate.

PowerPact H-, J-, and L-Frame Circuit Breakers

Motor Circuit Protection

Additional Electronic Protection

- Locked rotor
- Under-load
- Long starts and stalled rotor
- Insulation faults

Trip Class of a Overload Relay Device

The motor branch circuit includes thermal protection that may be built into the circuit breaker. The protection must have a trip class suited to motor starting. Depending on the application, the motor starting time varies from a few seconds (no-load start) to a few dozen seconds (high-inertia load).

Table 48: Trip Class of Overload Relays as a Function of Their FLA Setting

Class	1.05 FLA ¹	1.2 FLA ¹	1.5 FLA ²	6.0 FLA ¹
5	t > 2 h	t < 2h	t < 2 mn	2 s < t ≤ 5 s
10	t > 2 h	t < 2h	t < 4 mn	4 s < t ≤ 10 s
20	t > 2 h	t < 2h	t < 8 mn	6 s < t ≤ 20 s

¹ Time for a cold start (motor off and cold).

² Time for warm start (motor running under normal conditions).

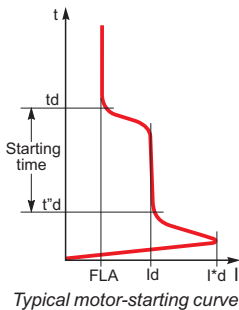
Example: In class 20, the motor must have finished starting within 20 seconds (6 to 20 s) for a starting current of 6 x FLA.

Asynchronous-Motor Starting Parameters

The main parameters of direct on-line starting of three-phase asynchronous motors (90% of all applications) are listed below.

- FLA: full load amperes
This is the current drawn by the motor at full rated load.
- Id: locked rotor current
This is the current drawn by the motor during starting, on average $6.0 \times I_n$ for a duration of 5 to 30 seconds depending on the application. These values determine the trip class and any additional “long-start” protection devices that may be needed.
- Id: peak starting current
This is the subtransient current during the first two half-waves when the system is energized, on the average $14 I_n$ for 10 to 15 ms (e.g. 1840 A peak).

The protection settings must effectively protect the motor, notably through a suitable overload relay trip class, but let the peak starting current through.



Motor-Feeder Solutions

PowerPact™ H-, J-, and L-frame circuit breakers motor circuit breakers are designed for motor-feeder solutions using:

- three devices, including an electronic MCP or 1.3 M instantaneous-only trip unit
- two devices including a 2 M electronic trip unit.

PowerPact H-, J-, and L-Frame Circuit Breakers Motor Circuit Protection

PowerPact H-, J-, and L-Frame with Micrologic™ Trip Units Motor-Protection Range

PowerPact H-, J-, and L-frame circuit breakers with Micrologic trip units can be used to create motor-feeder solutions comprising two or three devices. The protection devices are designed for continuous duty at 104°F (40°C).



Three-device solutions

- 1 PowerPact circuit breaker with Micrologic 1.3 M trip unit
- 1 contactor
- overload relay

Two-device solutions

- 1 PowerPact circuit breaker with a Micrologic 2 M electronic trip unit.
- 1 contactor

Table 49: Motor Protection Specifications

Type of Motor Protection		3 Devices (Circuit Breaker + Contactor + Overload Relay)	2 Devices (Circuit Breaker + Contactor)		
PowerPact H-, J-, or L-frame circuit breaker		PowerPact L-frame 400/600 A	PowerPact H-, J-, and L-Frame 100–600 A		
	Type 2 coordination with	Contactor + overload relay	Contactor		
Trip Unit	Type	Micrologic 1.3 M Electronic Trip Unit 	Micrologic 2 M Electronic Trip Unit 		
	Overload Relay	Separate Built-in, Class <table border="1" style="display: inline-table; vertical-align: middle;"> <tr><td>5</td></tr> <tr><td>10</td></tr> <tr><td>20</td></tr> </table>	5	10	20
5					
10					
20					
Protection functions of PowerPact H-, J-, and L-frame circuit breaker					
Short-circuits		X	X		
Overloads			X		
Special motor functions	Phase unbalance		X		

PowerPact H-, J-, and L-Frame Circuit Breakers

Motor Circuit Protection

Electronic Motor Circuit Protectors (AC Only)



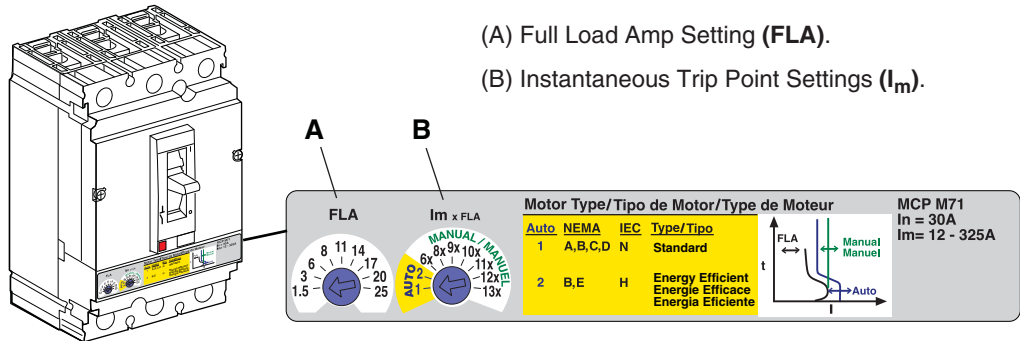
PowerPact H- and J-frame Electronic Motor Circuit Protectors (MCP) are instantaneous-trip circuit breakers. They are designed to offer short circuit protection and are National Electrical Code® (NEC®) compliant when installed as part of a combination controller having motor overload protection. MCP circuit breakers accept the same accessories and terminals as the equivalent thermal-magnetic circuit breakers. (See Section 3 for Accessories.)

The unique design of the PowerPact MCPs includes two rotary switches to allow quick setting adjustments based on the characteristics of the motor.

The first rotary switch allows for Full Load Amperes (FLA) adjustment across the range of the frame size.

The second rotary switch selects the type of motor protection based on Automatic 1 for Standard Efficiency or Automatic 2 for High Energy Efficient. When using the automatic settings the MCP microprocessor automatically adjusts the trip settings for both current and time to align with the start-up characteristic for the motor type, whether it is a standard or energy-efficient motor. This includes a dampening means to accommodate a transient motor in-rush current without nuisance tripping of the circuit breaker. Rotary switch 2 also allows for traditional motor protection from 8 to 13 times the selected FLA.

The MCP rotary switches are detented and allow the device to be set to specific trip values within a typical accuracy range of +/-5%.



Full Load Amp Settings

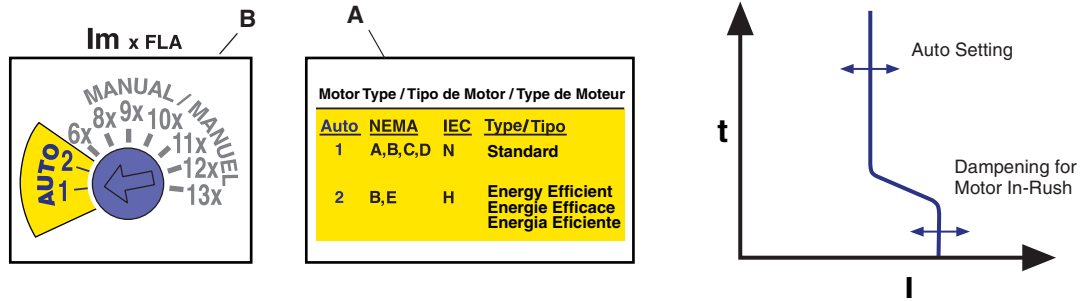
1. Determine the motor's full-load current by referring to the nameplate on the motor.
2. Set the trip range by turning the FLA rotary switch to the setting closest to the motor's full load current.

Automatic Protection Settings

The MCP microprocessor automatically adjusts the trip settings for both current and time to align with the start-up characteristics for the motor type selected. This includes a dampening means to accommodate a transient motor in-rush current without nuisance tripping of the circuit breaker.

PowerPact H-, J-, and L-Frame Circuit Breakers Motor Circuit Protection

Figure 4: Automatic Protection Settings

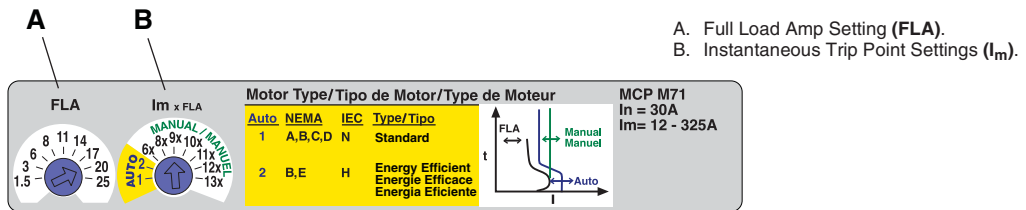


Manual Protection Settings

The manual settings may be adjusted to multiples of current based on the rotary switch setting for motor Full Load Amps (FLA).

$$\text{Instantaneous Trip Point} = (\text{FLA}) \times (I_m)$$

For example, if FLA rotary switch is set to 20 and I_m rotary switch is set to 9x, then the instantaneous trip point will be 180 A.



See Tables 55 thru 57 for more information.

Table 50: H- and J-Frame Electronic Motor Circuit Protectors (MCP)

Frame	Current	Full Load Amperes Range	Adjustable Instantaneous Trip Range	Suffix	J Interrupting (See SCCR Table Below)	L Interrupting (See SCCR Table Below)	R Interrupting
					Cat. No.	Cat. No.	Cat. No.
H-Frame	30 A	1.5–25 A	9–325 A	M71	HJL36030M71	HLL36030M71	HRL36030M71
	50 A	14–42 A	84–546 A	M72	HJL36050M72	HLL36050M72	HRL36050M72
	100 A	30–80 A	180–1040 A	M73	HJL36100M73	HLL36100M73	HRL36100M73
	150 A	58–130 A	348–1690 A	M74	HJL36150M74	HLL36150M74	HRL36150M74
J-Frame	250 A	114–217 A	684–2500 A	M75	JJL36250M75	JLL36250M75	JRL36250M75

- High Short Circuit Current Ratings (SCCR)

The PowerPact MCP helps achieve the high UL508A Short Circuit Current Rating (SCCR) needed to meet NEC Article 409 requirements for industrial control panels. They deliver up to 100 kA at 480 Vac SCCR when used in combination with approved Square D™ NEMA or Schneider Electric™ IEC motor starters.

Table 51: Short Circuit Current Ratings (SCCR)

Contactor/Starter	J Interrupting			L Interrupting			R Interrupting		
	200–240 Vac	480 Vac	600 Vac	200–240 Vac	480 Vac	600 Vac	200–240 Vac	480 Vac	600 Vac
Tesys D-line and F-line	100 kA	65 kA	25 kA	100 kA	100 kA	50 kA	200 kA	200 kA	100 kA
NEMA Type S	100 kA	65 kA	25 kA	100 kA	100 kA	50 kA	200 kA	200 kA	100 kA

PowerPact H-, J-, and L-Frame Circuit Breakers

Motor Circuit Protection

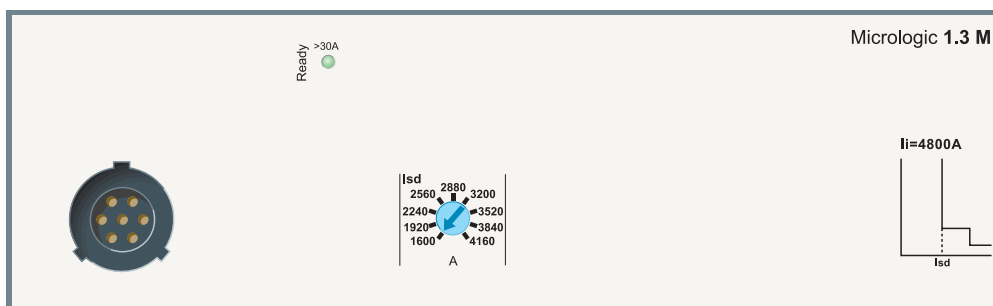
Table 52: MCP Selection by HP Ratings of Induction-Type Squirrel-Cage and Wound-Rotor Motors

Horsepower Rating of Induction-Type Squirrel-Cage and Wound-Rotor Motors 3Ø 60 Hz					NEC Full Load Amperes	PowerPact H-Frame and J-Frame Electronic MCP		
Starter Size	200 Vac	230 Vac	480 Vac	575 Vac				
00	1/2	1/2	1/2	1/2	0.9 A	HJL36030M71 and HLL36030M71 1/2–10 hp		
			3/4	3/4	1.1 A			
			1	1	1.3 A			
			1	1	1.7 A			
			1	1	2.1 A			
			1	1	2.2 A			
			1	1	2.4 A			
	3/4	3/4	3/4	1-1/2	1-1/2			2.5 A
				2	2			2.7 A
				2	2			3 A
				2	2			3.2 A
				2	2			3.4 A
				2	2			3.7 A
				2	2			3.9 A
1	1	1	3	3	4.2 A			
			3	3	4.8 A			
			3	3	4.8 A			
			3	3	6 A			
			3	3	6.1 A			
			3	3	6.8 A			
			3	3	6.9 A			
1-1/2	1-1/2	1-1/2	5	5	7.6 A			
			5	5	7.8 A			
			5	5	9 A			
			5	5	9.6 A			
			5	5	11 A			
			5	5	14 A			
			5	5	15.2 A			
0	2	3	7-1/2	7-1/2	17 A			
			10	10	17.5 A			
			10	10	21 A			
			10	10	22 A			
			10	10	25.3 A			
			10	10	27 A			
			10	10	28 A			
1	5	7-1/2	15	15	32 A			
			20	20	32.2 A			
			20	20	34 A			
			20	20	40 A			
			20	20	41 A			
			20	20	42 A			
			20	20	48.3 A			
2	10	10	25	25	52 A			
			30	30	54 A			
			30	30	62 A			
			30	30	65 A			
			30	30	68 A			
			30	30	77 A			
			30	30	78.2 A			
3	15	15	40	40	80 A			
			50	50	92 A			
			50	50	96 A			
			50	50	99 A			
			50	50	104 A			
			50	50	120 A			
			50	50	124 A			
4	20	20	60	60	125 A			
			75	75	130 A			
			75	75	144 A			
			75	75	150 A			
			75	75	154 A			
			75	75	156 A			
			75	75	177.1 A			
5	25	25	100	100	180 A			
			125	125	192 A			
			125	125	221 A			
			150	150	240 A			
			150	150	248 A			
			150	150				
			150	150				
5	30	30	150	150				
			200	200				
			200	200				
			200	200				
			200	200				
			200	200				
			200	200				
5	40	40	200	200				
			200	200				
			200	200				
			200	200				
			200	200				
			200	200				
			200	200				
5	50	50	200	200				
			200	200				
			200	200				
			200	200				
			200	200				
			200	200				
			200	200				
5	60	60	200	200				
			200	200				
			200	200				
			200	200				
			200	200				
			200	200				
			200	200				
5	75	75	200	200				
			200	200				
			200	200				
			200	200				
			200	200				
			200	200				
			200	200				

■ Shaded area is not covered by J-frame electronic motor circuit protector.

Micrologic 1.3 M Electronic Trip Units for Instantaneous Protection Only (L-Frame Circuit Breakers Only)

Micrologic 1.3 M trip units are used in 3-device motor-feeder solutions on PowerPact L-frame circuit breakers with performance levels G/J/L. They provide short-circuit protection for motors up to 250 kW at 400 V.



Micrologic 1.3 M trip units provide instantaneous protection only, using electronic technology. They are dedicated to 600 A three-pole (3P 3D) circuit breakers or four-pole circuit breakers with detection on three poles (4P, 3D). They are especially used in three-pole versions for motor protection.

Circuit breakers equipped with Micrologic 1.3 M trip units, without thermal protection, are used in certain applications to replace automatic switches. Micrologic 1.3 M trip units are available on PowerPact L-frame circuit breakers only.

NOTE: All Micrologic trip units have a transparent, sealable cover that protects access to the adjustment rotary switches.

They also provide the benefits of electronic technology:

- accurate settings
- tests
- “Ready” LED.

Circuit breakers with a Micrologic 1.3 M trip unit are combined with an overload relay and a contactor. Protection settings are made using a rotary switch.

Protection Version

Three pole (3P): three-pole frame circuit breakers equipped with detection on all three poles.

Indications

The green “Ready” LED blinks slowly when the electronic trip unit is ready to provide protection. It indicates the trip unit is operating correctly.

NOTE: All the trip units have a transparent sealable cover that protects access to the adjustment rotary switches.

PowerPact H-, J-, and L-Frame Circuit Breakers

Motor Circuit Protection

Table 53: Micrologic 1.3 M Electronic Trip Unit

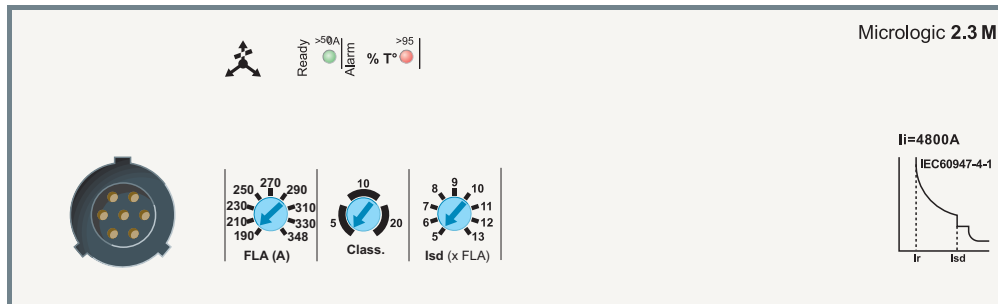
Rating: I_n at 104°F (40°C) ¹		400 A	600 A
Circuit Breaker	PowerPact L-frame	X	X
Short-time protection			
Pick-up (A) accuracy ±15%	I_{sd} There is a very short delay to let through motor starting currents	Adjustable directly in amps 9 settings: 2000-2400-2800-3200-3600-4000-4800 A	
		9 settings: 3000-3600-4200-4800-5400-6000-6600-7200 A	
Time delay (ms)	t_{sd}	Non-adjustable	
	Non-tripping time Maximum break time	20 60	
Instantaneous protection			
Pick-up (A) accuracy ±15%	I_i non-adjustable	4800	7200
	Non-tripping time Maximum break time	0 30 ms	

¹ Motor standards require operation at 104°F (40°C). Circuit-breaker ratings are derated to take this requirement into account.

Micrologic 2.2 M and 2.3 M Electronic Trip Units

Micrologic 2.2 M and 2.3 M trip units provide built-in thermal and instantaneous protection. They are used in 2-device motor-feeder solutions on PowerPact H-, J-, and L-frame circuit breakers with performance levels J/L. They provide protection for motors up to 315 kW at 400 V against:

- short-circuits
- overloads with selection of a trip class (5, 10 or 20)
- phase unbalance.



Circuit breakers with a Micrologic 2.2 M/ 2.3 M trip unit include protection similar to an inverse-time overload relay. They are combined with a contactor.

Protection settings are made using a rotary switch.

Overloads (or Thermal Protection)

Long-time protection and trip class (FLA)

- Inverse-time thermal protection against overloads with adjustable pick-up FLA.
- Settings are made in amperes. The tripping curve for the long-time protection, which indicates the time delay t_r before tripping, is defined by the selected trip class.

Trip Class

- The class is selected as a function of the normal motor starting time.
 - Class 5: starting time less than 5 s
 - Class 10: starting time less than 10 s
 - Class 20: starting time less than 20 s
- For a given class, it is necessary to check that all motor-feeder components are sized to carry the 6 x FLA starting current without excessive temperature rise during the time corresponding to the class.

Short-Circuits

Short-time protection (I_{sd})

- Provides protection with an adjustable pick-up I_{sd} .
- There is a very short delay to let through motor starting currents.

Non-adjustable instantaneous protection (I_i)

- Instantaneous protection with non-adjustable pick-up I_i .

Phase Unbalance or Phase Loss (I_{unbal})

- This function opens the circuit breaker if a phase unbalance occurs:
 - that is greater than the 30% fixed pick-up I_{unbal}
 - following the non-adjustable time delay t_{unbal} equal to:
 - 0.7 s during starting
 - 4 s during normal operation
- Phase loss is an extreme case of phase unbalance and leads to tripping under the same conditions.

Indications

Front indications

- The green “Ready” LED blinks slowly when the electronic trip unit is ready to provide protection. It indicates the trip unit is operating correctly.
- Red alarm LED for motor operation goes ON when the thermal image of the rotor and stator is greater than 95% of the permissible temperature rise.

Remote indications using SDTAM module

- PowerPact H-, J-, and L-frame devices with a Micrologic 2 M trip unit can be equipped with an SDTAM module dedicated to motor applications for:
 - A contact to indicate circuit-breaker overload.
 - A contact to open the contactor. In the event of a phase unbalance or overload, this output is activated 400 ms before circuit-breaker tripping to open the contactor and avoid circuit breaker tripping
- This module takes the place of the shunt trip (MN)/undervoltage trip (MX) coils and an auxiliary switch (OF) contact

SDTAM remote indication relay module with its terminal block.

Note: All the trip units have a transparent sealable cover that protects access to the adjustment rotary switches.

PowerPact H-, J-, and L-Frame Circuit Breakers

Motor Circuit Protection

Table 54: Micrologic 2.2 M and 2.3 M Electronic Trip Unit

Rating: I_n at 104°F (40°C) ¹		30 A	50 A	100 A	150 A	250 A	400 A	600 A
Circuit Breaker	PowerPact H-frame	X	X	X	X	—	—	—
	PowerPact J-frame	—	—	—	—	X	—	—
	PowerPact L-frame	—	—	—	—	—	X	X

Overloads (or Thermal Protection): Long-Time Protection and Trip Class

Pick-Up (A) Tripping between 1.05 and 1.20 FLA	FLA		Value depending on trip unit rating (I_n) and setting on rotary switch								
	$I_n = 30$ A	FLA =	14	16	18	20	21	22	23	24	25
$I_n = 50$ A	FLA =	14	17	21	24	27	29	32	36	42	
$I_n = 100$ A	FLA =	30	35	41	45	51	56	63	71	80	
$I_n = 150$ A	FLA =	58	71	78	86	91	97	110	119	130	
$I_n = 250$ A	FLA =	114	137	145	155	163	172	181	210	217	
$I_n = 400$ A	FLA =	190	210	230	250	270	290	310	330	348	
$I_n = 600$ A	FLA =	312	338	364	390	416	442	468	484	520	

Time Delay

Trip Class		5	10	20		
Time Delay (s) Depending on selected trip class	t_r	1.5 x FLA	120	240	480	For warm start
		6 x FLA	6.5	13.5	26	For cold start
		7.2 x FLA	5	10	20	For cold start

S Short Circuits: Short-time protection with fixed time delay

Pick-up (A) accuracy $\pm 15\%$	$I_{sd} = FLA \times$	5	6	7	8	9	10	11	12	13
Time delay (ms)	t_{sd}	Non-adjustable								
	Non-tripping time	20								
	Maximum break time	60								

I Short Circuit: Non-adjustable instantaneous protection

Pick-up (A) accuracy $\pm 15\%$	I_i non-adjustable	450	750	1500	2250	3750	4800	7200
Time delay (ms)	Non-tripping time	0						
	Maximum break time	30 ms						

Phase unbalance or phase loss

Pick-up (A) accuracy $\pm 20\%$	I_{unbal} in % average current ²	30%
Time delay (ms)	Non-adjustable	0.7 s during starting 4 s during normal operation

¹ Motor standards require operation at 104°F (40°C). Circuit-breaker ratings are derated to take this requirement into account.

² The unbalance measurement takes into account the most unbalanced phase with respect to the average current.

Additional Technical Characteristics

Table 55: Additional Technical Characteristics

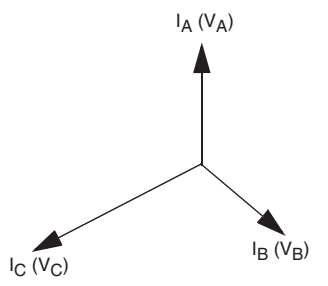
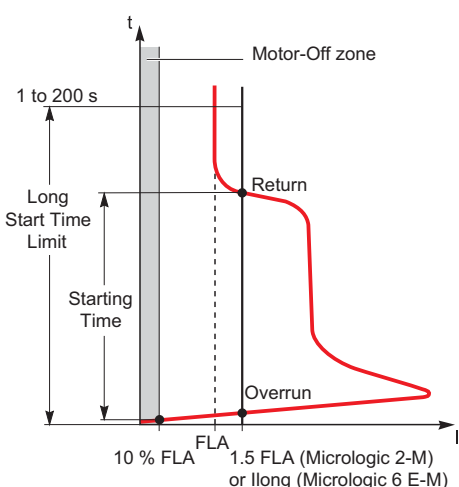
 <p>Unbalance of Phase Currents and Voltages</p>  <p>Motor Starting and Long Starts</p>	<p>Phase unbalance</p> <p>An unbalance in three-phase systems occurs when the three voltages are not equal in amplitude and/or not displaced 120° with respect to each other. It is generally due to single-phase loads that are incorrectly distributed throughout the system and unbalance the voltages between the phases.</p> <p>These unbalances create negative current components that cause braking torques and temperature rise in asynchronous machines, thus leading to premature aging.</p>	<p>Phase loss</p> <p>Phase loss is a special case of phase unbalance.</p> <ul style="list-style-type: none"> • During normal operation, it produces the effects mentioned above and tripping must occur after four seconds. • During starting, the absence of a phase may cause motor reversing, i.e. it is the load that determines the direction of rotation. This requires virtually immediate tripping (0.7 seconds). <p>Starting time in compliance with the class (Micrologic 2 M)</p> <p>For normal motor starting, Micrologic 2 M checks the conditions below with respect to the thermal-protection (long-time) pick-up FLA:</p> <ul style="list-style-type: none"> • current > 10% x FLA (motor-off limit) • overrun of 1.5 x FLA threshold, then return below this threshold before the end of a 10 s time delay. <p>If either of these conditions is not met, the thermal protection trips the device after a maximum time equal to that of the selected class. Pick-up FLA must have been set to the current indicated on the motor rating plate.</p>
	<p>Starting time in compliance with the class (Micrologic 2 M)</p> <p>For normal motor starting, Micrologic 2 M checks the conditions below with respect to the thermal-protection (long-time) pick-up FLA:</p> <ul style="list-style-type: none"> • current > 10% x FLA (motor-off limit) • overrun of 1.5 x FLA threshold, then return below this threshold before the end of a 10 s time delay <p>If either of these conditions is not met, the thermal protection trips the device after a maximum time equal to that of the selected class.</p> <p>Pick-up FLA must have been set to the current indicated on the motor rating plate.</p>	

Table 56: L-Frame Electronic Trip Unit Magnetic Only 3 Pole, 600 Vac, 50/60 Hz—Three Device Solutions¹

Sensor Rating	Trip Unit	Adjustable ² Trip Range (A)	G-Interrupting Cat. No.	J-Interrupting Cat. No.	L-Interrupting Cat. No.	R-Interrupting Cat. No.
PowerPact	400	500–1200%	LGL36400M37X	LJL36400M37X	LLL36400M37X	LRL36400M37X
L-Frame	600	500–1200%	LGL36600M37X	LJL36600M37X	LLL36600M37X	LRL36600M37X

¹ Three-device solutions are the traditional solutions: motor circuit protector plus motor starter plus overload relay.

² UL magnetic trip tolerances are -20%/+30% from the nominal values shown.

PowerPact H-, J-, and L-Frame Circuit Breakers Motor Circuit Protection

Table 57: H-Frame (150 A), J-Frame (250 A) and L-Frame (600 A) Electronic Motor Protector Circuit Breakers (UL Ratings)—Two Device Solutions¹

Electronic Trip Unit Type	Frame	Sensor Rating	Trip Unit	Full Load Amperes Range (FLA)	I_{sd} (x FLA)	G Interrupting Cat. No.	J Interrupting Cat. No.	L Interrupting Cat. No.	R Interrupting Cat. No.
Standard ²	H-Frame	30	2.2 M	14–25	5-13 x FLA	HGL36030M38X	HJL36030M38X	HLL36030M38X	HRL36030M38X
		50		14–42	5-13 x FLA	HGL36050M38X	HJL36050M38X	HLL36050M38X	HRL36050M38X
		100		30–80	5-13 x FLA	HGL36100M38X	HJL36100M38X	HLL36100M38X	HRL36100M38X
		150		58–130	5-13 x FLA	HGL36150M38X	HJL36150M38X	HLL36150M38X	HRL36150M38X
	J-Frame	250	2.3 M	114–217	5-13 x FLA	JGL36250M38X	JJL36250M38X	JLL36250M38X	JRL36250M38X
	L-Frame	400		190–348	5-13 x FLA	LGL36400M38X	LJL36400M38X	LLL36400M38X	LRL36400M38X
		600		312–520	5-13 x FLA	LGL36600M38X	LJL36600M38X	LLL36600M38X	LRL36600M38X

¹ Two-device solutions (these electronic motor protector circuit breakers include short circuit and overload protection)

—1 electronic motor circuit protector with a Micrologic 2.2 M electronic trip unit, plus
—1 contactor

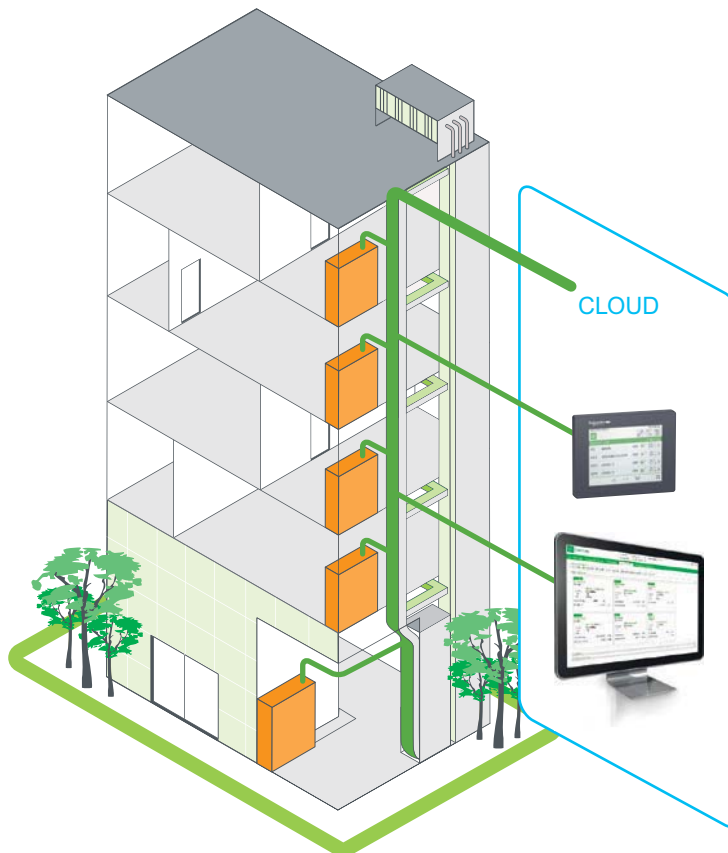
² The standard trip unit offers Class 5, 10 and 20 and phase unbalance or phase loss protection.

Section 6—Energy Management

Energy Management Using the Smart System

Use the Smart System to connect your building to real savings in three steps:

- A. Measure
 - Embedded and stand-alone metering and control
- B. Connect
 - Integrated communication interfaces
 - Ready to connect to energy management platforms
- C. Save
 - Data-driven energy efficiency actions
 - Real-time monitoring and control
 - Access to energy and site information through on-line services



PowerPact H-, J-, and L-Frame Circuit Breakers

Energy Management

Measure

Smart System communications mean visible information.

Grouping most of the electrical protection, command and metering components, the switchboards are now significant sources of data locally displayed and sent via communication networks.

Connect

Smart Systems use reliable, simple-to-install-and-use displays, and Ethernet and Modbus interfaces.

Information is safely transmitted through the most efficient networks:

- Modbus SL inside switchboards, between components,
- Ethernet, on cable or WiFi, inside the building and connecting switchboards and computers,
- Ethernet or GPRS, for access to on-line services by Schneider Electric.
- Energy experts, no matter where they are located, can now provide advise based on the updated data of the building.

Save



On-Site Real-Time Monitoring and Control

The FDM128 touch screen display connected to the Ethernet:

- shows essential electrical information and alarms concerning the electrical network,
- allows control (open, close, reset...) of various equipment.

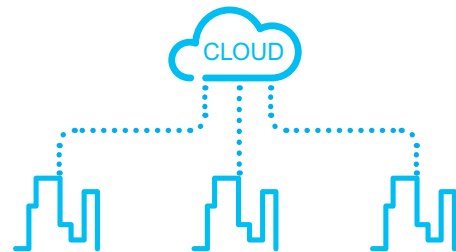
The FDM128 touch screen provides real-time value checking and control, directly on the front panel of the main switchboard.

On a PC display with common browser:

- shows monitoring web pages hosted into the local Ethernet interface,
- alarm events generate automatic email notifications,
- allows control (open, close, reset...) of various equipment.

The data is displayed graphically or recorded into files for optimizing the use of energy in the building.

As an example, the data can help validate the change of temperature settings, time scheduling in a Building Management System or other automated devices.



On-Line Energy Management Services

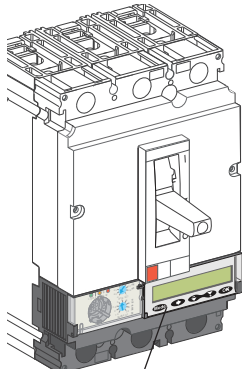
StruXureWare Energy Operation automates data collection using an open, scalable, and secure energy management information system.

With the help of the Schneider Electric energy management services team, data is turned into information to enable customers to understand their facilities' performance on an ongoing basis.

Energy Operation leverages companies' current investments in their existing systems, and can be used to communicate advanced results and performance to a broad audience for a shared understanding throughout an organization.

Smart System Communication Components

PowerPact Circuit Breakers with Micrologic Trip Units



Trip Unit LCD

Ammeter A

- Micrologic 5 A selective protection
- Micrologic 6 A selective + ground-fault protection

Energy E

- Micrologic 5 E selective protection
- Micrologic 6 E selective + ground-fault protection

Displays

FDM121

- One-to-one front display module
- See page 64 for more information



Power Meter

FDM128

- One-to-eight front display module
- See page 65 for more information



Operating Assistance Functions

Communication

- PowerPact and Compact circuit breakers in a communication network
- I/O application module
- IFE: Ethernet interface module
- IFM: Modbus interface module
- Com'X: Energy server



Communication



I/O Module



IFE Module



IFM Module



Com'X 200

See page 95 for more information.

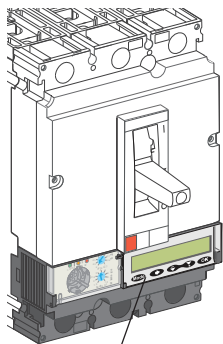
Power Meter Functions

In addition to protection functions, Micrologic A/E trip units offer all the functions of Power Meter products as well as operating assistance for the circuit breaker.

Micrologic A/E trip unit measurement functions are made possible by the Micrologic trip unit's intelligence and the accuracy of the sensors. They are handled by a microprocessor that operates independent of protection functions.

Display Functions

Micrologic Trip Unit LCD



Trip Unit LCD

The user can display all the protection settings and the main measurements on the LCD screen of the trip unit.

- Micrologic A trip unit: instantaneous rms current measurements
- Micrologic E trip unit: voltage, frequency and power measurements and energy metering, in addition to the measurements offered by Micrologic A

To make the display available under all conditions and increase operating comfort, an external power supply is recommended for Micrologic A trip unit. It is required to:

- display faults and interrupted current measurements
- use all the functions of Micrologic E trip unit (such as metering of low power and energy values)
- ensure operation of the communication network

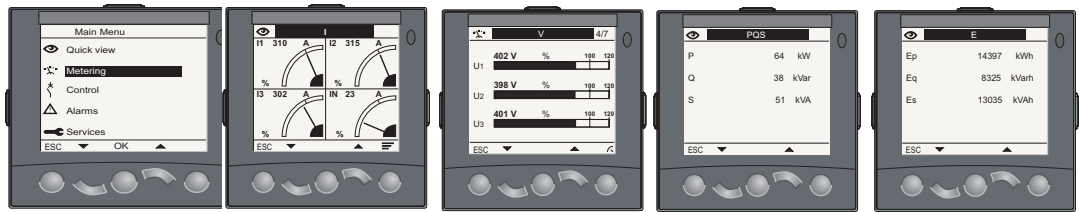
The external power supply can be shared by several devices. For description, see page 109.

FDM121 Display Unit (One to One)



Display Function

The FDM121 switchboard display unit can be connected to a communication (COM) option (Breaker Communication Module [BSCM]) using a circuit breaker ULP cord to display all measurements on a screen. The LCD screen is 3.78 x 3.78 in. (96 x 96 mm). The FMD121 display unit requires a 24 Vdc power supply. The COM option (BSCM) unit is supplied by the same power supply via the circuit breaker ULP cord connecting it to the FDM121. See page 72 for more information.



FDM121 Display Navigation

FDM121 Display Current

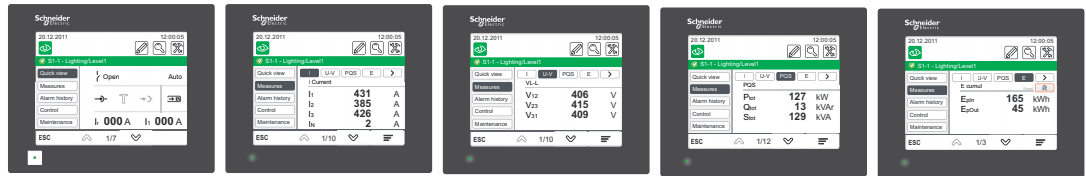
FDM121 Display: Voltage

FDM121 Display: Power

FDM121 Display: Consumption

FDM128 Display Unit (One to Eight)

The FDM128 display unit uses an IFE Ethernet interface for low-voltage circuit breakers.



FDM128 Display
Navigation

FDM128 Display
Current

FDM128 Display:
Voltage

FDM128 Display:
Power

FDM128 Display:
Consumption

For all FDM, in addition to the information displayed on the Micrologic trip unit LCD, the FDM screen shows demand, power quality, and maximum/minimum ammeter values along with histories and maintenance indicators.

Measurement Function



Measurement Function

Instantaneous RMS Measurements

The Micrologic trip unit continuously displays the RMS value of the highest current of the three phases and neutral (I_{max}). The navigation buttons can be used to scroll through the main measurements.

In the event of a fault trip, the trip cause is displayed.

The Micrologic A trip unit measures phase, neutral, and ground fault currents.

Micrologic E trip units offer voltage, power, frequency, and energy metering in addition to the measurements provided by Micrologic A trip units.

Maximum / Minimum Ammeter

Every instantaneous measurement provided by Micrologic A/E trip units can be associated with a maximum/minimum ammeter. The maximum for the highest current of the three phases, neutral, and demand current can be reset using the Micrologic trip unit keypad, FDM display unit, or the communication system.

Energy Metering

The Micrologic E trip units also measures the energy consumed since the last reset of the meter. The active energy meter can be reset using the Micrologic trip unit keypad, the FDM display unit, or the communication system.

Demand and Maximum Demand Values

Micrologic E trip units also calculate demand current and power values. These calculations can be made using a block or sliding interval that can be set from five to sixty minutes in steps of one minute. The window can be synchronised with a signal sent through the communication system. Whatever the calculation method, the calculated values can be recovered on a PC through the communication network.

Ordinary spreadsheet software can be used to provide trend curves and forecasts based on this data. They provide a basis for load shedding and reconnection operations used to adjust consumption to the subscribed power.

PowerPact H-, J-, and L-Frame Circuit Breakers Energy Management

Power Quality

The Micrologic E trip unit calculates power quality indicators taking into account the presence of harmonics up to the fifteenth harmonic, including the total harmonic distortion (THD) of current and voltage.



PowerPact H-, J-, and L-Frame Circuit Breakers Energy Management

Table 58: Micrologic 5/6 Trip Units Integrated Power Meter Functions

			Type		Display	
			A	E	Trip Unit LCD	Front Display Module
Display of Protection Settings						
Pick-ups (A) and delays	All settings can be displayed	$I_r, t_r, I_{sd}, t_{sd}, I_g, t_g$	X	X	X	
Measurements						
Instantaneous rms measurements						
Currents (A)	Phase and neutral	I_A, I_B, I_C, I_N	X	X	X	X
	Average of phases	$I_{avg} = (I_A + I_B + I_C) / 3$	X	X	—	X
	Highest current of the 3 phases and neutral	I_{max} of I_A, I_B, I_C, I_N	X	X	X	X
	Ground fault (Micrologic 6 trip unit)	% I_g (pick-up setting)	X	X	X	X
	Current unbalance between phases	% I_{avg}	—	X	—	X
Voltage (V)	Phase-to-phase	V_{AB}, V_{BC}, V_{CA}	—	X	X	X
	Phase-to-neutral	U_{AN}, U_{BN}, U_{CN}	—	X	X	X
	Average of phase-to-phase voltages	$V_{avg} = (V_{AB} + V_{AC} + V_{BC}) / 3$	—	X	—	X
	Average of phase-to-neutral voltages	$U_{avg} = (U_{AN} + U_{BN} + U_{CN}) / 3$	—	X	—	X
	Ph-Ph and Ph-N voltage unbalance	% V_{avg} and % U_{avg}	—	X	—	X
	Phase sequence	1-2-3, 1-3-2	—	X	X	X
Frequency (Hz)	Power System	f	—	X	X	X
Power	Active (kW)	P, total/per phase	—	X	X	X
	Reactive (kVAR)	Q, total/per phase	—	X	X	X
	Apparent (kVA)	S, total/per phase	—	X	X	X
	Power factor and $\cos \phi$ (fundamental)	PF and $\cos \phi$, total and per phase	—	X	—	X
Maximum, minimum (MAX/MIN)						
	Associated with instantaneous rms measurements	Reset with Micrologic trip unit or front display module	X	X	—	X
Energy metering						
Energy	Active (kWh), reactive (kVAR), apparent (kVA)	Total since last reset Absolute or signed mode ¹	—	X	X	X
Demand and maximum demand values						
Demand current (A)	Phases and neutral	Present value on the selected window	—	X	—	X
		Maximum demand since last reset	—	X	—	X
Demand power	Active (kWh), reactive (kVAR), apparent (kVA)	Present value on the selected window	—	X	—	X
		Maximum demand since last reset	—	X	—	X
Calculation window		Adjustable from 5 to 60 minutes in 1 minute steps	—	X	—	²
Power quality						
Total harmonic distortion THD (%)	Of voltage with respect to rms value	THDU, THDV of the Ph-Ph and Ph-N voltage	—	X	—	X
	Of current with respect to rms value	THDI of the phase current	—	X	—	X

¹ Absolute mode: E absolute = E out + E in; Signed mode: E signed = E out - E in.

² Available through the communication network only.

PowerPact H-, J-, and L-Frame Circuit Breakers

Energy Management

Additional Technical Characteristics

Measurement accuracy of the entire measurement system, including the sensors:

- Current: +/- 1%
- Voltage: +/- 0.5%
- Power and energy: +/- 2%
- Frequency: +/- 0.1%

Operating-Assistance Functions Characteristics

Micrologic Trip Unit Alarms with Time-Stamping

Alarm Types

The user can assign an alarm to all Micrologic A or E trip unit measurements or events:

- up to 12 alarms can be used together:
 - two alarms are predefined and activated automatically:
 - Micrologic 5 trip unit: overload (I_r)
 - Micrologic 6 trip unit: overload (I_r) and ground fault (I_g)
 - thresholds, priorities and time delays can be set for ten other alarms.
- the same measurement can be used for different alarms to precisely monitor certain values, e.g. the frequency or the voltage
- alarms can also be assigned to various states: phase lead/lag, four quadrants, phase sequence selection of display priorities, with screen displaying a window showing high priority alarm
- alarm time-stamping.

Alarm Settings

Alarms cannot be set using the keypad or the front display module. They are set through the communication network with the PC. Set-up includes the threshold, priority, activation delay before display and deactivation delay. It is also possible to reprogram the standard assignment for the two SDx relay outputs to user-selected alarms.

Alarm Reading

Remote alarm indicators:

- reading on the front display module or on a PC through the communication network
- system remote indicators using SDx relay with two output contacts for alarms
- Micrologic trip unit built-in LCD display

Histories and Event Tables

Micrologic A and E trip unit have histories and event tables that are always active.

Three types of time-stamped histories

- Tripping due to overruns of I_r , I_{sd} , I_i , I_g : last 17 trips
- Alarms: last 10 alarms
- Operating events: last 10 events

Each history record is stored with:

- indicators in clear text in a number of user-selectable languages
- time-stamping: date and time of event
- status: pick-up / drop-out

Two types of time-stamped event tables

- Protection settings
- Minimums / maximums

Display of alarms and tables

The time-stamped history and event tables may be displayed on a PC through the communication network.

Embedded memory

Micrologic A and E trip units have a non-volatile memory that saves all data on alarms, histories, event tables, counters and maintenance indicators even if power is lost.

Maintenance Indicators

Micrologic A and E trip units have indicators for, among others, the number of operating cycles, contact wear and operating times (operating hours counter) of the PowerPact H-, J-, and L-frame circuit breakers.

It is possible to assign an alarm to the operating cycle counter to plan maintenance. The various indicators can be used together with the trip histories to analyze the level of stresses the device has been subjected to. The information provided by the indicators cannot be displayed on the Micrologic trip unit LCD. It is displayed on the PC through the communication network.

Management of Installed Devices

Each circuit breaker equipped with a Micrologic 5 or 6 trip unit can be identified using the communication network:

- serial number
- firmware version
- hardware version
- device name assigned by the user

This information together with that previously described provides a clear view of the state of the installed devices.

NOTE: Please refer to page 64 for more details on display formats.

PowerPact H-, J-, and L-Frame Circuit Breakers

Energy Management

Table 59: Micrologic 5/6 Trip Units Operating Assistance Functions

			Type		Display	
			A	E	Trip Unit LCD	Front Display Module
Operating Assistance						
Personalized Alarms						
Settings	Up to 10 alarms assigned to all A and E measurements Phase lead/lag, four quadrants, phase sequence, display priority selection		X	X	—	1
Display	Alarms and tripping		X	X	—	1
Remote Indicators	Activation of two dedicated contacts on SDx module		X	X	—	1
Time-Stamped Histories						
Trips (last 17)	Cause of tripping (time-stamping with ms)	I_r , I_{sd} , I_i (Micrologic 5, 6 Trip Unit)	X	X	—	1
		I_g (Micrologic 6 Trip Unit)	X	X	—	1
Alarms (last 10)			X	X	—	1
Operating events (last 10)	Event types	Modification of protection setting by rotary switch	—	X	—	1
		Opening of keypad lock	—	X	—	1
		Test using keypad	—	X	—	1
		Test using external tool	—	X	—	1
		Time setting (date and time)	—	X	—	1
		Reset for maximum, minimum and energy meter	X	X	X	X
Time Stamping	Presentation	Date and time, text, status	X	X	—	1
Time-Stamped Event Tables						
Protection settings	Setting modified (value displayed)	I_r t_r I_{sd} t_{sd} I_i I_g t_g	X	X	—	1
	Time-stamping	Date and time of modification	X	X	—	1
	Previous value	Value before modification	X	X	—	1
Min/Max	Values monitored	I_A I_B I_C I_N I_i	X	X	—	1
	Time-stamping	Date and time of min/max record	X	X	—	1
	Previous value	Min/max value				
Maintenance Indicators						
Counter	Mechanical cycles ²	Assignable to an alarm				
	Electrical cycles ²	Assignable to an alarm				
	Trips	One per type of trip	X	X	—	1
	Alarms	One for each type of alarm				
	Hours	Total operating time (hours)				
Indicator	Contact wear	%	X	X	—	1
Load profile	Hours at different load levels	% of hours in four current ranges: 0–49% I_N , 50–79% I_N , 80–89% I_N and $\geq 90\%$ I_N	X	X	—	1
			X	X	—	1

¹ Available through the communication network only.

² The BSCM (page 108) is required for these functions.

PowerPact H-, J-, and L-Frame Circuit Breakers Energy Management

Additional Technical Characteristics:

- **Contact wear**
Each time PowerPact H-, J-, and L-frame circuit breakers open, the Micrologic 5/6 trip unit measures the interrupted current and increments the contact-wear indicator as a function of the interrupted current, according to test results stored in memory. Breaking under normal load conditions results in a very slight increment. The indicator value may be read on the front display module. It provides an estimation of contact wear calculated on the basis of the cumulative forces affecting the circuit breaker. When the indicator reaches 80%, it is advised to replace the circuit breaker to ensure the availability of the protected equipment.
- **Circuit breaker load profile**
Micrologic 5/6 trip units calculate the load profile of the circuit breaker protecting a load circuit. The profile indicates the percentage of the total operating time at four current levels (% of I_n):
 - 0 to 49% I_n
 - 50 to 79% I_n
 - 80 to 89% I_n
 - $\geq 90\%$ I_nThis information can be used to optimize use of the protected devices or to plan ahead for expansion.

Motor Circuit Protectors (AC Only)

See Section 5 for information about PowerPact H-, J- and L-frame electronic motor circuit protectors (MCP) with trip units:

- Micrologic 1.3 M
- Micrologic 2 M



FDM121 Display

Micrologic trip unit measurement capabilities come into full play with the FDM121 display. It connects with a circuit breaker ULP cord and displays the Micrologic trip unit information. The result is a true integrated unit combining a circuit breaker and a power meter. Additional operating assistance functions can also be displayed.

An FDM121 display unit can be connected to ULP communication devices using a prefabricated cord to display all measurements, alarms, histories and event tables, maintenance indicators, and management of installed devices on a screen.

The FMD121 display unit requires a 24 Vdc power supply.

The FDM121 is a display that can be integrated with the PowerPact H/J/L/P/R or Masterpact NW/NT circuit breaker systems. It uses the sensors and processing capacity of the Micrologic trip unit. It is easy to use and requires no special software or settings. It is immediately operational when connected to the circuit breaker by a ULP cord.

It also provides monitoring and control with the use of the I/O application module, the motor mechanism module, or the circuit breaker communication module.

The FDM121 has a large display, but requires very little depth. The anti-glare graphic screen is backlit for very easy reading even under poor ambient lighting and at sharp angles.

Display of Micrologic Trip Unit Measurements and Alarms

The FDM121 is intended to display Micrologic trip unit measurements, alarms and operating information. It cannot be used to modify the protection settings.

Measurements can be easily accessed using a menu. All user-defined alarms are automatically displayed. The display mode depends on the priority level selected during alarm set-up:

- high priority: a pop-up window displays the time-stamped description of the alarm and the orange Alarm LED flashes;
- medium priority: the orange Alarm LED goes continuously on;
- low priority: no display on the screen.

All faults resulting in a trip automatically produce a high-priority alarm, without any special settings required. In all cases, the alarm history is updated. The Micrologic trip unit saves the information in its non-volatile memory in the event of an FDM121 power loss.

Status Indications and Remote Control

When the circuit breaker is equipped with the Breaker Communications Module (BSCM), the FDM121 display can also be used to view circuit breaker status conditions:

- O/F: ON/OFF
- SD: trip indication
- SDE: fault-trip indication (overload, short-circuit, or ground fault).

When the circuit breaker system is equipped with the I/O application module, the FDM121 can monitor and control:

- cradle management
- circuit breaker operation
- light and load control
- custom applications.

When the circuit breaker is equipped with the communication motor operator etc., the FDM121 display can also be used to control (open/close) the circuit breaker.

Two operating mode are available:

- local mode: open/close commands are enabled from the FDM121 while disabled from the communication network;
- remote mode: open/close commands are disabled from the FDM121 while enabled from the communication network.

Main Characteristics

- A 3.78 x 3.78 x 1.18 in. (96 x 96 x 30 mm) screen requiring 0.39 in. (10 mm) behind the door (or 0.79 in. [20 mm] when the 24 V power supply connector is used).
- White backlighting.
- Wide viewing angle: vertical $\pm 60^\circ$, horizontal $\pm 30^\circ$.
- High resolution: excellent reading of graphic symbols.
- Alarm LED: flashing orange for alarm pick-up, steady orange after operator reset if the alarm condition persists.
- Operating temperature range: +14°F (-10°C) to +131°F (+55°C).
- CE / UL / CSA marking.
- 24 Vdc power supply, with tolerances 24 V -20% (19.2 V) to 24 V +10% (26.4 V).

When the FDM121 is connected to the communication network, the 24 Vdc can be supplied by the communication system wiring system. Consumption is 40 mA.

Mounting

The FDM121 is easily installed in a switchboard.

- Standard door cut-out is 3.6 x 3.6 in. (92 x 92 mm).
- Attached using clips.

To avoid a cut-out in the door, an accessory is available for surface mounting by drilling only two 0.87 in. (22 mm) diameter holes.



FDM121 Display



Surface Mount
Accessory



Connection with FDM121
Display Unit

PowerPact H-, J-, and L-Frame Circuit Breakers

Energy Management

Connection

The FDM121 is equipped with a 24 Vdc terminal block:

- A plug-in type terminal block with two wire inputs per point for easy daisy-chaining.
- A power supply range of 24 Vdc -20% (19.2 V) to 24 Vdc +10% (26.4 V).
A 24 Vdc type auxiliary power supply must be connected to a single point on the ULP system. The FDM121 display has a two-point screw connector on the rear panel of the module for this purpose. The ULP module to which the auxiliary power supply is connected distributes the supply via the ULP cable to all the ULP modules connected to the system and therefore also to Micrologic trip unit. See wiring diagram later in this section.
- Two RJ45 jacks.

The Micrologic trip unit connects to the internal communication terminal block on the PowerPact or Compact circuit breaker with the circuit breaker ULP cord. Connection to one of the RJ45 connectors on the FDM121 automatically establishes communication between the Micrologic trip unit and the FDM121 and supplies power to the Micrologic trip unit measurement functions.

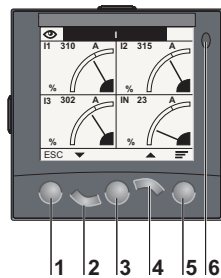
When the second connector is not used, it must be fitted with a line terminator.

Navigation

Five buttons are used for intuitive and fast navigation.

The “Context” button may be used to select the type of display (digital, bargraph, analogue).

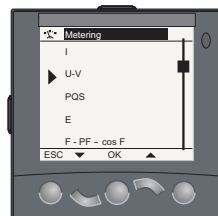
The user can select the display language (Chinese, English, French, German, Italian, Portuguese, Spanish, etc.).



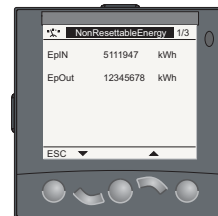
- 1 Escape
- 2 Down
- 3 OK
- 4 Up
- 5 Context
- 6 Alarm LED



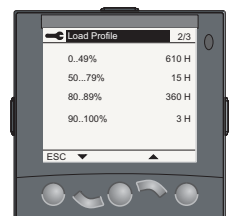
Product Identification



Metering: Submenu



Metering: Meter



Services

Screens

Main Menu

When powered up, the FDM121 screen automatically displays the ON/OFF status of the device.



Quick View



Metering



Control



Alarms



Services

When not in use, the screen is not backlit. Backlighting can be activated by pressing one of the buttons. It goes off after three minutes.

Fast Access to Essential Information

- “Quick view” provides access to five screens that display a summary of essential operating information (I, U-V, f, P, E, THD, circuit breaker ON/OFF).

Access to Detailed Information

- “Metering” can be used to display the measurement data (I, U-V, f, P, Q, S, E, THD, PF) with the corresponding min/max values.
- “Alarms” displays active alarms and the alarm history.
- “Services” provides access to the operation counters, energy and maximum ammeter reset function, maintenance indicators, identification of modules connected to the internal bus, and FDM121 internal settings (language, contrast, etc.).

Communication Components and FDM121 Connections

The FDM121 degree of protection is IP54 in front. IP54 is maintained after switchboard mounting by using the supplied gasket during installation.

PowerPact H-, J-, and L-Frame Circuit Breakers Energy Management

Figure 5: FDM121 Connections

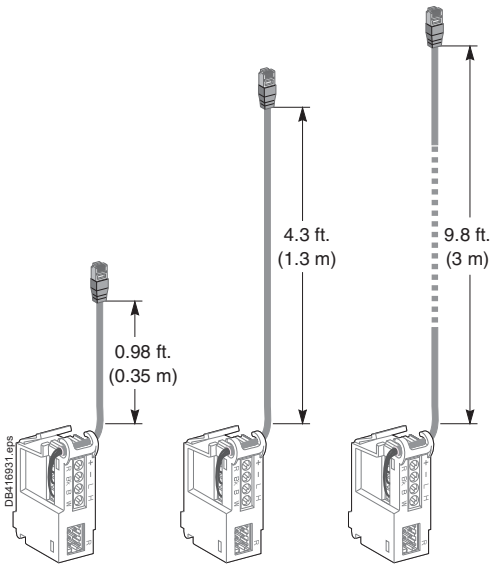
Connections

PowerPact circuit breaker is connected to the I/O module or FDM121 display unit via the internal terminal block for the NSX cord equipped with an RJ45 connector:

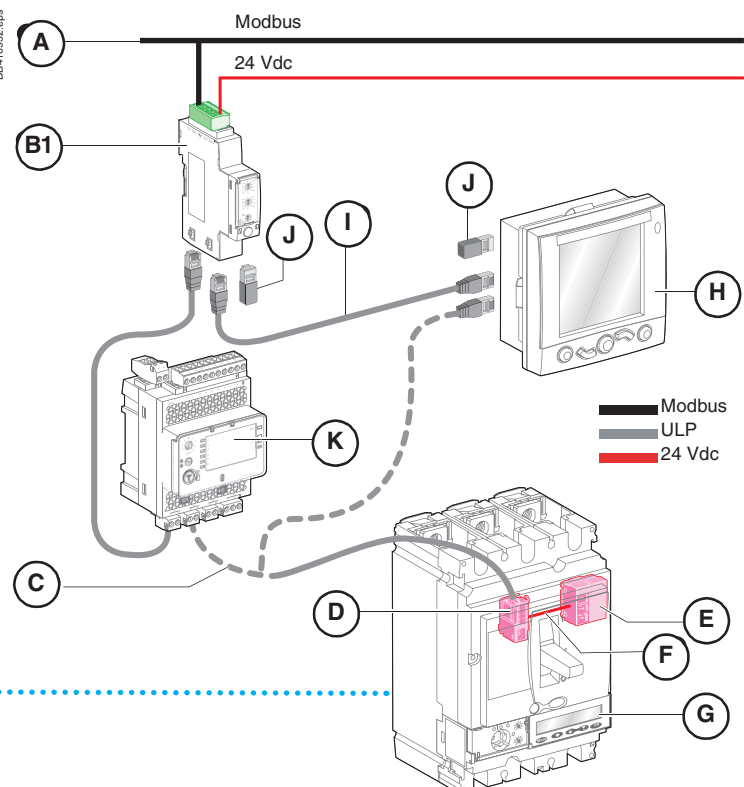
- Cord is available in three lengths: 0.98 ft. (0.35 m), 4.3 ft. (1.3 m) and 9.8 ft. (3 m).
- Lengths up to 32.9 ft. (10 m) are possible using extensions.

The FDM121 display unit and the I/O module are connected to:

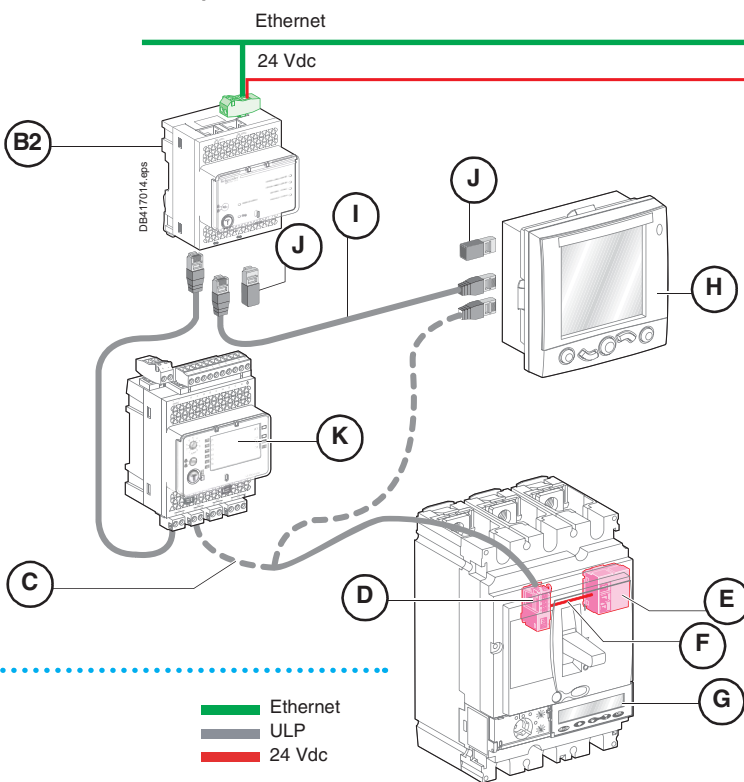
- the IFM Modbus interface by a communication cable with RJ45 connectors on both ends
- or
- the IFE Ethernet interface module by a communication cable with RJ45 connectors on both ends.



Communication Components and Connections, IFM



Communication Components and Connections, IFE



- A. Modbus Network
- B. Modbus Interface
 - B1: IFM Modbus Interface
 - B2: IFE Modbus Interface
- C. NSX Cord
- D. Internal Terminal Block for Communication via NSX Cord
- E. BSCM Module
- F. Prefabricated wiring
- G. Micrologic Trip Unit
- H. FDM121 Display
- I. RJ45 Cable
- J. Line Terminator (on unused connector if applicable)
- K. I/O Module

FDM128 Display

The Micrologic trip unit measurement capabilities are fully utilized with the FDM128 display. The FDM128 display connects to Ethernet communication using the RJ45 port and displays Micrologic trip unit information. The result is an integrated unit combining a circuit breaker with a power meter. Additional operating assistance functions can also be displayed.

The FDM128 display unit can be connected to a Micrologic COM option (BSCM). It uses the sensors and processing capacity of the Micrologic trip unit and requires no special software or settings. The FDM128 is a large display, but requires very little depth. The anti-glare graphic screen is backlit for easy reading even under poor ambient lighting and at sharp angles.

The FDM128 display is designed to manage up to eight devices (PowerPact H/J/L/P/R or Masterpact NW/NT circuit breakers).

Display of Micrologic Trip Unit Measurements and Trips

The FDM128 is intended to display Micrologic 5/6 trip unit measurements, trips, and operating information. It cannot be used to modify the protection settings.

- Measurements may be easily accessed using a menu.
- Trips are automatically displayed.
- A pop-up window displays the time-stamped description of the trip.

Status Indications

When the circuit breaker is equipped with the COM option (BSCM) (including its set of sensors) the FDM128 display can also be used to view circuit breaker status conditions:

- O/F: ON/OFF
- SDE: Fault-trip indication (overload, short-circuit, ground fault)
- CE, CD, CT cradle management with I/O application module.

Remote Control

When the circuit breaker is equipped with the COM option (BSCM) (including connection to a communicating motor operator), the FDM128 display can also be used to operate (open/close) the circuit breaker.

Two operating mode are available:

- Local mode: open/close commands are enabled from the FDM128 while disabled from the communication network.
- Remote mode: open/close commands are disabled from the FDM128 while enabled from the communication network.

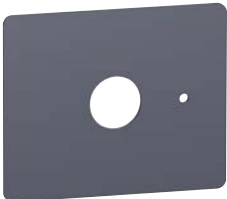
PowerPact H-, J-, and L-Frame Circuit Breakers Energy Management

Main Characteristics

- 4.54 x 3.40 in. (115.2 x 86.4 mm) with 5.7 in. (145 mm) QVGA display 320 x 240 pixels.
- Color TFT LCD, with LED backlight.
- Wide viewing angle: vertical $\pm 80^\circ$, horizontal $\pm 70^\circ$.
- High resolution: excellent reading of graphic symbols.
- Operating temperature range: +14°F (-10°C) to +131°F (+55°C).
- CE / UL / CSA marking.
- 24 Vdc power supply, -10%/+20% (limit 20.4 - 28.8 Vdc).
- Consumption 6.8 W.



FDM128 Display



Surface Mount Accessory



Connection with Display Unit

Mounting

The FDM128 is easily installed in a switchboard.

- Standard door hole \varnothing 0.87 in. (22 mm).
- The FDM128 degree of protection is IP65 at the touch screen cover. IP54 is maintained after installation by using the supplied gasket.

Connection

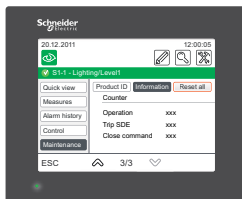
The FDM128 is equipped with:

- a 24 Vdc terminal block:
 - with a power supply range of 24 Vdc (limit 20.4 - 28.8 Vdc).
 - secures to the FDM128 display unit using a 2-point screw connector on the rear panel of the module.
- one RJ45 Ethernet jack.

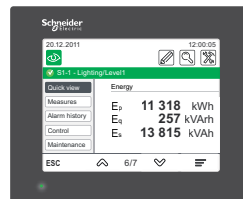
The Micrologic trip unit connects to the internal communication terminal block on the PowerPact circuit breakers through the circuit breaker ULP cord and Ethernet connection through the IFE.

Navigation

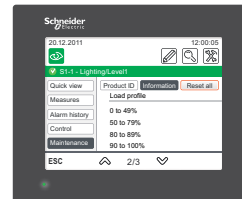
- A touch screen is used for intuitive and fast navigation.
- The user can select the display language (Chinese, English, French, German, Italian, Portuguese, Spanish, etc.).



Product Identification



Metering: Meter



Services

Screens

Main Menu



Quick
View



Metering



Control



Alarms



Services

When not in use, the screen is automatically shifted to low back-lighting.

Fast Access to Essential Information

- “Quick view” provides access to five screens that display a summary of essential operating information (I, U-V, f, P, E, THD, circuit breaker On / Off).

Access to Detailed Information

- “Metering” can be used to display the measurement data (I, U-V, f, P, Q, S, E, THD, PF) with the corresponding min/max values.
- “Alarms” displays the trip history.
- “Services” provides access to the operation counters, energy and maximum ammeter reset function, maintenance indicators, identification of modules connected to the internal bus and FDM128 internal settings (language, contrast, etc.).

PowerPact H-, J-, and L-Frame Circuit Breakers Energy Management

Communication Components and FDM128 Connections

The FDM128 degree of protection is IP65 at the touch screen cover. IP54 is maintained after installation by using the supplied gasket.

Figure 6: FDM128 Connections

Communication Components and Connections

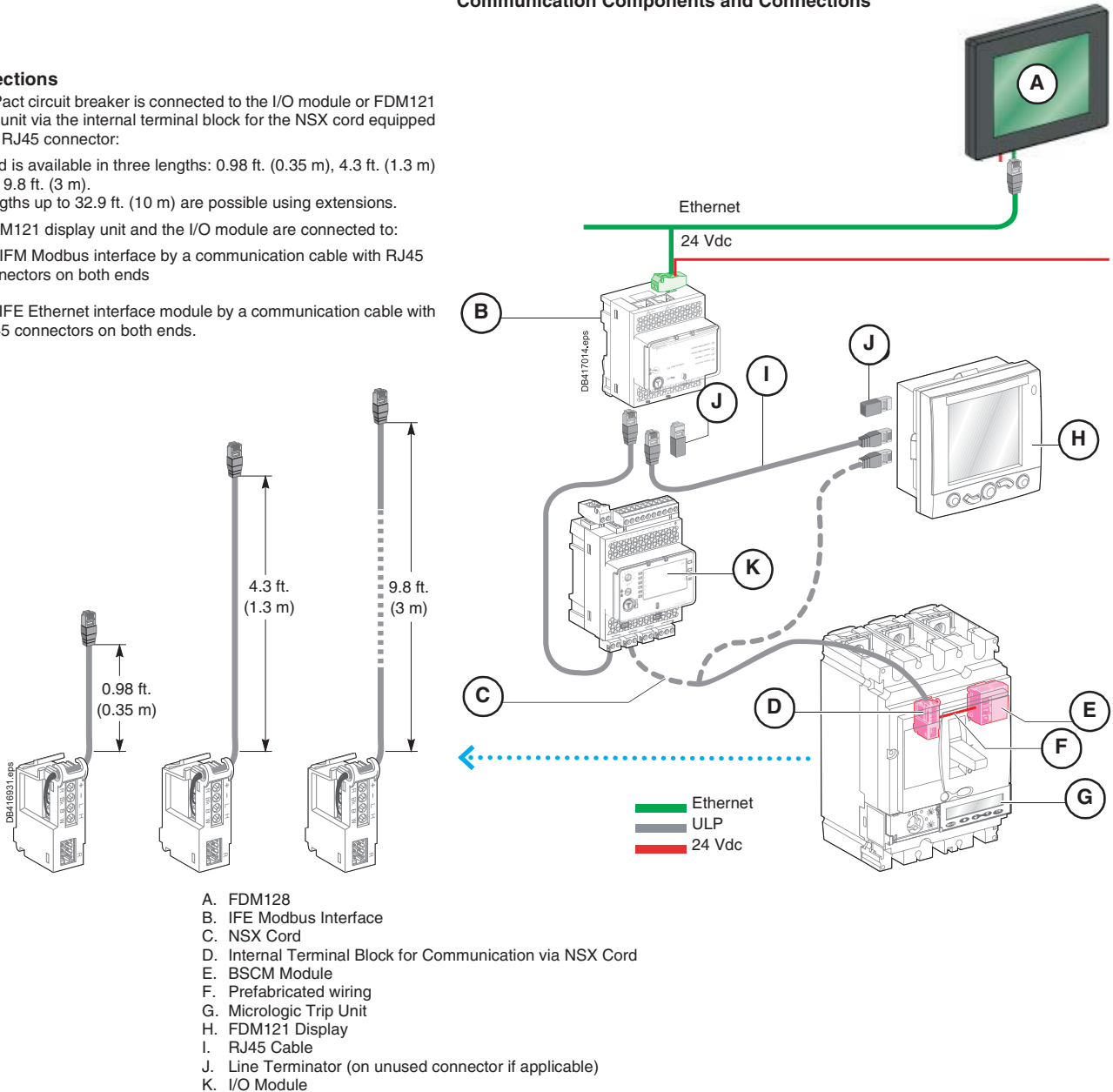
Connections

PowerPact circuit breaker is connected to the I/O module or FDM121 display unit via the internal terminal block for the NSX cord equipped with an RJ45 connector:

- Cord is available in three lengths: 0.98 ft. (0.35 m), 4.3 ft. (1.3 m) and 9.8 ft. (3 m).
- Lengths up to 32.9 ft. (10 m) are possible using extensions.

The FDM121 display unit and the I/O module are connected to:

- the IFM Modbus interface by a communication cable with RJ45 connectors on both ends or
- the IFE Ethernet interface module by a communication cable with RJ45 connectors on both ends.



PowerPact H-, J-, and L-Frame Circuit Breakers Energy Management

Figure 7: Panelboard and Switchboard Connections

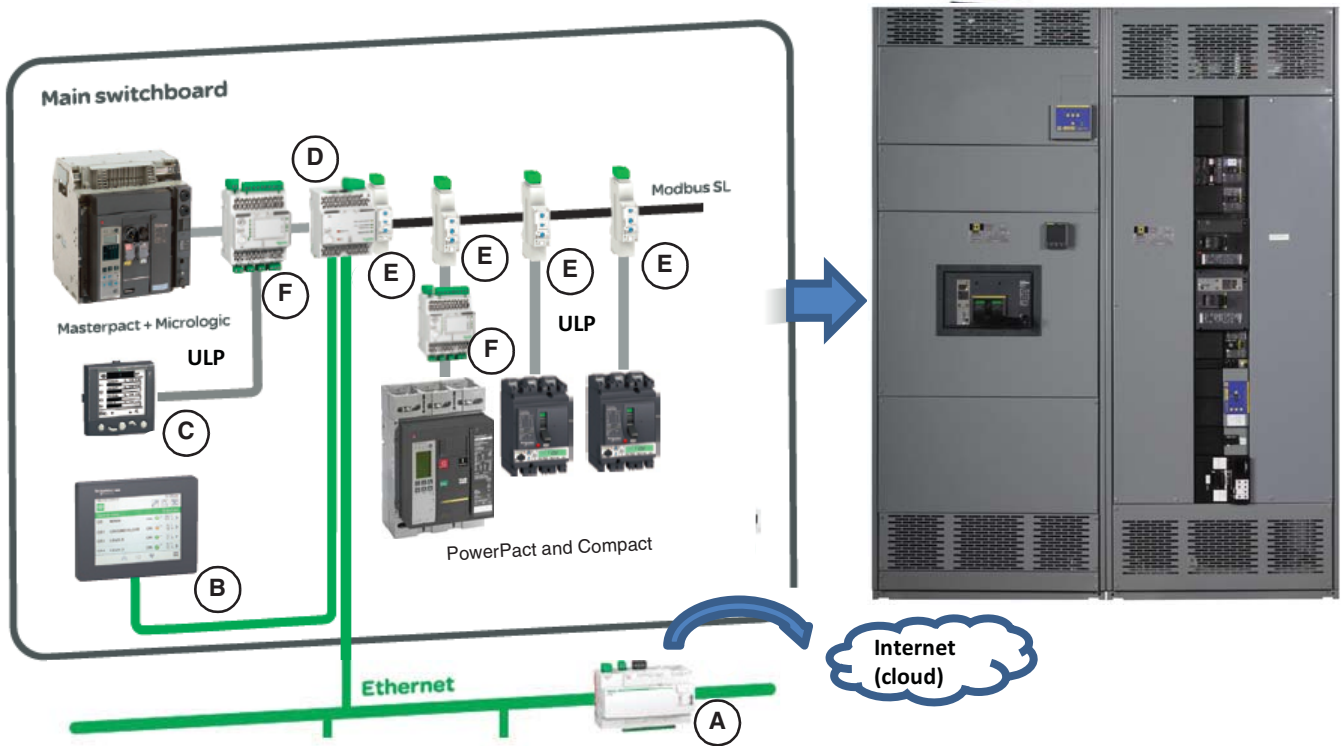








Table 60: Smart System Communication Devices and Displays

		Name	Function	Port		Bin. Input	Analog. Input	Bin. Output
				To Device	To Server			
A		Com'X 200	Energy Server with Ethernet Gateway® Function	Modbus Master	Ethernet Cable + WiFi	6	2	—
B		FDM128	Ethernet LCD Color Touch Screen	—	Ethernet	—	—	—
C		FDM121	LCD Display for Circuit Breaker	ULP	—	—	—	—

Continued on next page

PowerPact H-, J-, and L-Frame Circuit Breakers Energy Management

Table 60: Smart System Communication Devices and Displays (continued)

		Name	Function	Port		Bin. Input	Analog. Input	Bin. Output
				To Device	To Server			
D		IFE Interface + Gateway	Ethernet Interface & Gateway	Modbus Master & ULP	Ethernet	—	—	—
		IFE Interface	Ethernet Interface for Circuit Breakers	ULP	Ethernet	—	—	—
E		IFM	Modbus Interface for Circuit Breakers	ULP	Modbus Slave	—	—	—
F		I/O	Input/Output Application Module for Circuit Breakers	ULP	ULP	6	1	1

Section 7—Trip Units

Available Trip Units

- PowerPact™ H-, J-, and L-Frame circuit breakers offer a range of thermal-magnetic and Micrologic™ electronic trip units in interchangeable cases. Thermal-magnetic trip units are designed to open automatically under overload or short circuit. H-frame and J-frame thermal-magnetic circuit breakers contain individual thermal (overload) and instantaneous (short circuit) sensing elements in each pole.
- Micrologic electronic trip units provide intelligent operation, with wide setting ranges make installation upgrades easier. Designed with processing capabilities, Micrologic trip units can provide measurement information and device operating assistance to supply all of the information required to manage the electrical installation and optimize energy use.

Micrologic trip units offer excellent measurement accuracy, using a new generation of current transformers combining “iron-core” sensors for self-powered electronics and “air-core” sensors (Rogowski coils) for measurements. The protection functions are managed by an ASIC component that is independent of the measurement functions. This independence ensures immunity to conducted and radiated disturbances and a high level of reliability.

An LED on the front of the electronic trip units indicates the result of the self-test running continuously on the measurement system and the tripping release. When the green LED is flashing, the links between the CTs, the processing electronics and the Mitop release are operational. The circuit breaker is ready to protect. A minimum current of 15 to 50 A, depending on the device, is required for this function.


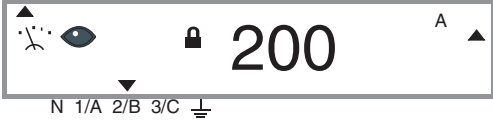

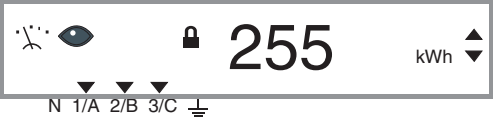
The dual adjustment for protection functions on Micrologic 5/6 consists of:

- an adjustment using rotary switches sets the maximum value
- an adjustment, made using the keypad or remotely, fine-tunes the setting. This setting may not exceed the first one. It can be read directly on the Micrologic screen, to within one ampere and a fraction of a second.

NOTE: All the trip units have a transparent sealable cover that protects access to the adjustment rotary switches.

PowerPact H-, J-, and L-Frame Circuit Breakers Trip Units

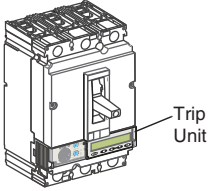
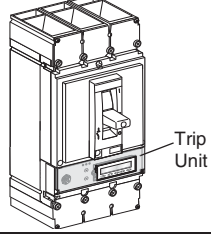
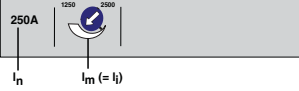

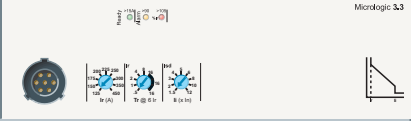

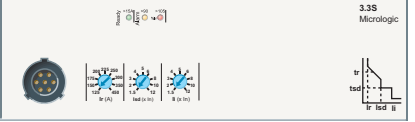

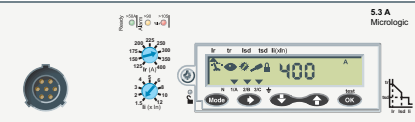



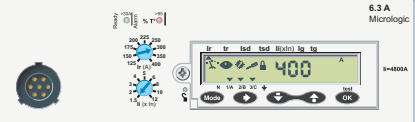

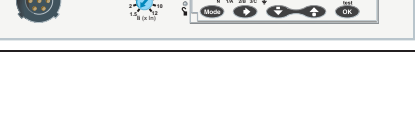
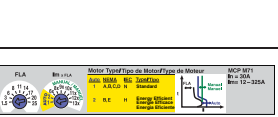
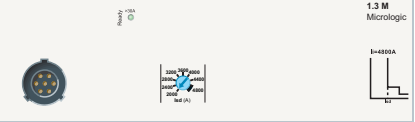
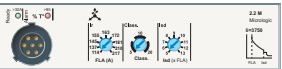
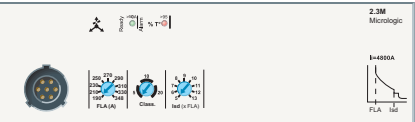
Table 61: Understanding the Names of Micrologic Electronic Trip Units

	Protection	Frame	Measurements	Applications
	1: I 3: LI or LSI 5: LSI 6: LSIG	H- and J-frame 	A: Ammeter Ir tr lsd tsd li lg tg 	Distribution or M: Motors
	L: Long time S: Short time I: Instantaneous G: Ground fault	L-frame 	E: Energy Ir tr lsd tsd li (x In) 	
Examples				
Micrologic 1.3 M Trip Unit	Instantaneous only	400 or 600 A		Motor
Micrologic 3.3 Trip Unit	LI	250, 400, or 600 A		Distribution
Micrologic 3.2S Trip Unit	LSI	60, 100, 150, or 250 A		Distribution
Micrologic 5.2A Trip Unit	LSI—Ammeter	60, 100, 150, or 250 A		Distribution

For Micrologic trip unit features, see table 12 on page 22.

PowerPact H-, J-, and L-Frame Circuit Breakers Trip Units

Table 62: Trip Unit Availability

Trip Unit Type	Trip Unit	H-, J-Frame 	Trip Unit	L-Frame 
Distribution Protection Thermal-Magnetic	T-M		N/A	
Distribution Protection LI	Micrologic 3.2 and 3.2-W		Micrologic 3.3 and 3.3-W	
Distribution Protection LSI Fixed ST and LT delays	Micrologic 3.2S and 3.2S-W		Micrologic 3.3S and 3.3S-W	
Distribution Protection LSI + Ammeter	Micrologic 5.2 A and 5.2 A-W		Micrologic 5.3 A and 5.3 A-W	
Distribution Protection LSI + Energy Monitoring	Micrologic 5.2 E and 5.2 E-W		Micrologic 5.3 E and 5.3 E-W	
Distribution Protection LSIG + Ammeter	Micrologic 6.2 A and 6.2 A-W		Micrologic 6.3 A and 6.3 A-W	
Distribution Protection LSIG + Energy Monitoring	Micrologic 6.2 E and 6.2 E-W		Micrologic 6.3 E and 6.3 E-W	
Motor Circuit Protection Magnetic Only	M		N/A	
Motor Protection Micrologic 1 M	N/A		Micrologic 1.3M	
Motor Protection Micrologic 2 M	Micrologic 2.2 M		Micrologic 2.3 M	

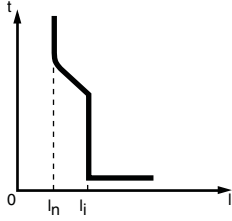
NOTE: W = mission critical trip unit.

PowerPact H-, J-, and L-Frame Circuit Breakers Trip Units

Protection of Distribution Systems

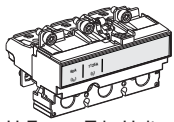
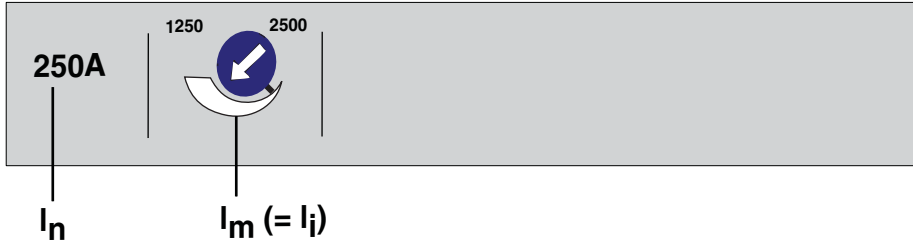
Thermal-Magnetic Trip Units

TM thermal-magnetic trip units can be used on PowerPact H and J-frame circuit breakers with interrupting levels D/G/J/L. Thermal-magnetic trip units are available in factory sealed or field-interchangeable constructions.

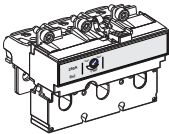


H-Frame Trip Curve

- (I_n) Fixed threshold thermal protection against overload
- (I_i) Fixed threshold instantaneous protection against short circuits



H-Frame Trip Unit



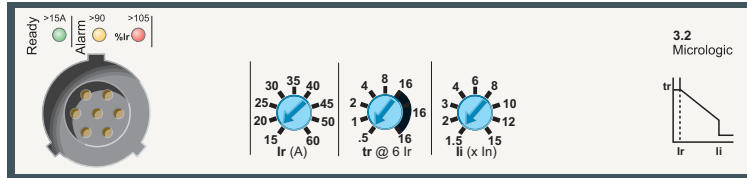
J-Frame Trip Unit

Table 63: H-Frame and J-Frame Three-Pole Field-Installable Thermal-Magnetic Trip Unit

15–60 A H-Frame		70–150 A H-Frame		150–250 A J-Frame	
Amperage	Cat. No.	Amperage	Cat. No.	Amperage	Cat. No.
15 A	HT3015	70 A	HT3070	150 A	JT3150
20 A	HT3020	80 A	HT3080	175 A	JT3175
25 A	HT3025	90 A	HT3090	200 A	JT3200
30 A	HT3030	100 A	HT3100	225 A	JT3225
35 A	HT3035	110 A	HT3110	250 A	JT3250
40 A	HT3040	125 A	HT3125	—	—
45 A	HT3045	150 A	HT3150	—	—
50 A	HT3050	—	—	—	—
60 A	HT3060	—	—	—	—

Micrologic 3 Trip Units

Micrologic 3 trip units can be used on PowerPact H-, J-, and L-Frame circuit breakers with performance levels D/G/J/L.



They provide:

- standard protection of distribution cables
- indication of:
 - overloads (using LEDs)
 - overload tripping (using the SDx relay module)

Circuit breakers equipped with Micrologic 3 trip units can be used to protect distribution systems supplied by transformers.

Protection

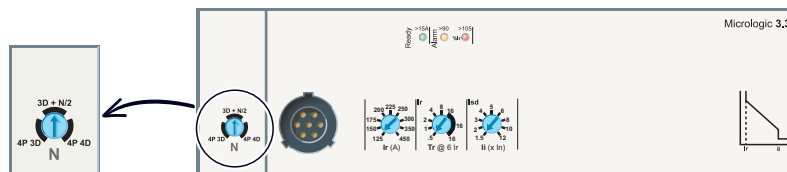
Settings are made using the adjustment rotary switches.

Overloads: Long time protection (I_r)

Inverse time protection against overloads with an adjustable current pick-up I_r set using a rotary switch and an adjustable time delay t_r .

Neutral protection

- On three-pole L-frame circuit breakers, neutral protection is not possible.
- On four-pole L-frame circuit breakers, neutral protection may be set using a three-position switch:
 - switch position 4P 3D: neutral unprotected
 - switch position 4P 3D + N/2: neutral protection at half the value of the phase pick-up, ($0.5 \times I_r$)
 - switch position 4P 4D: neutral fully protected at I_r



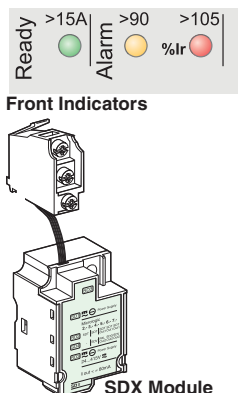
Indicators

Front indicators

- The green “Ready” LED blinks slowly when the electronic trip unit is ready to provide protection. It indicates the trip unit is operating correctly.
- Orange overload pre-alarm LED: steady on when $I > 90\% I_r$
- Red overload LED: steady on when $I > 105\% I_r$

Remote indicators

An overload trip signal can be remotely checked by installing an SDx relay module inside the circuit breaker. This module receives the signal from the Micrologic electronic trip unit through an optical link and makes it available on the terminal block. The signal is cleared when the circuit breaker is reclosed. See page 120.



PowerPact H-, J-, and L-Frame Circuit Breakers Trip Units

Table 64: Micrologic 3 Trip Unit

Ratings	I_n at 104°F (40°C) ¹		60 A	100 A	150 A	250 A	400 A	600 A
Circuit Breaker	H-frame		X	X	X			
	J-frame					X		
	L-frame					X	X	X

Micrologic 3.2 / 3.3 trip units²

L Long-time protection

Pick-Up (A) Tripping between 1.05 and 1.20 I_r	I_r		Value depending on sensor rating (I_n) and setting on rotary switch								
	$I_n = 60$ A	$I_r =$		15	20	25	30	35	40	45	50
$I_n = 100$ A	$I_r =$		35	40	45	50	60	70	80	90	100
$I_n = 150$ A	$I_r =$		50	60	70	80	90	100	110	125	150
$I_n = 250$ A	$I_r =$		70	80	100	125	150	175	200	225	250
$I_n = 400$ A	$I_r =$		125	150	175	200	225	250	300	350	400
$I_n = 600$ A	$I_r =$		200	225	250	300	350	400	450	500	600
Time Delay (s) Accuracy 0 to -20%	t_r		0.5	1	2	4	8	16			
		$1.5 \times I_r$	15	25	50	100	200	400			
		$6 \times I_r$	0.5	1	2	4	8	16			
		$7.2 \times I_r$	0.35	0.7	1.4	2.8	5.5	11			
Thermal memory			20 minutes before and after tripping								

I Instantaneous

Pick-up (A) accuracy $\pm 15\%$	$I_i \times$	60 A, 100 A	1.5	2	3	4	6	8	10	12	15
		150 A	1.5	2	3	4	6	8	10	12	15
		250 A	1.5	2	3	4	5	6	8	10	12
		400 A	1.5	2	3	4	5	6	8	10	12
		600 A	1.5	2	3	4	5	6	8	10	11
	Non-tripping time Maximum break time		10 ms 50 ms for $I > 1.5 I_i$								

Micrologic 3.2S / 3.3S trip units²

L Long-time protection

Pick-Up (A) Tripping between 1.05 and 1.20 I_r	I_r		Value depending on sensor rating (I_n) and setting on rotary switch								
	$I_n = 60$ A	$I_r =$		15	20	25	30	35	40	45	50
$I_n = 100$ A	$I_r =$		35	40	45	50	60	70	80	90	100
$I_n = 150$ A	$I_r =$		50	60	70	80	90	100	110	125	150
$I_n = 250$ A	$I_r =$		70	80	100	125	150	175	200	225	250
$I_n = 400$ A	$I_r =$		125	150	175	200	225	250	300	350	400
$I_n = 600$ A	$I_r =$		200	225	250	300	350	400	450	500	600
Time Delay (s) Accuracy 0 to -20%	t_r		non-adjustable								
		$1.5 \times I_r$	400								
		$6 \times I_r$	16								
		$7.2 \times I_r$	11								
Thermal memory			20 minutes before and after tripping								

S Short-time protection

Pick-up (A) accuracy $\pm 10\%$	$I_{sd} - I_r \times \dots$		1.5	2	3	4	5	6	7	8	10
Time delay (ms)	t_{sd}		non-adjustable								
	Non-tripping time Maximum break time		20 80								

I Instantaneous

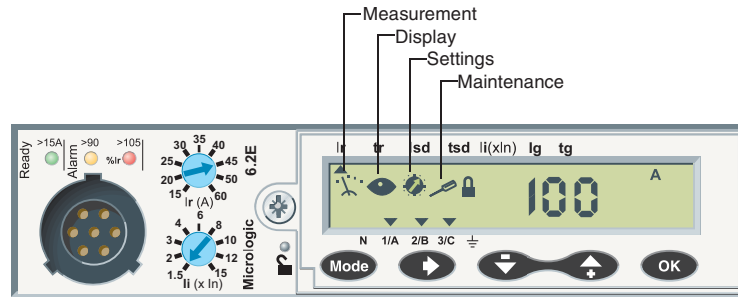
Pick-up (A) accuracy $\pm 15\%$	$I_i \times$	60 A, 100 A	1.5	2	3	4	6	8	10	12	15
		150 A	1.5	2	3	4	6	8	10	12	15
		250 A	1.5	2	3	4	5	6	8	10	12
		400 A	1.5	2	3	4	5	6	8	10	12
		600 A	1.5	2	3	4	5	6	8	10	11
	Non-tripping time Maximum break time		10 ms 50 ms for $I > 1.5 I_i$								

¹ If the trip units are used in high-temperature environments, the Micrologic trip unit setting must take into account the thermal limitations of the circuit breaker. See the temperature derating information on page 150.

² Mission Critical trip units have a "-W" at the end of the number (for example 3.2-W). All other protections are the same and have the same trip curves.

Micrologic 5/6 A or E Trip Units

Micrologic 5/6 A (Ammeter) or E (Energy) trip units can be used on PowerPact H-, J-, and L-frame circuit breakers with performance levels D, G, J, or L. They all have a front display module. They offer basic LSI protection (Micrologic 5 trip unit) or LSI and ground-fault protection G (Micrologic 6 trip unit). They also offer measurement, alarm and energy values.



The capabilities of Micrologic 5/6 A and E trip units come into full play with the front display module. When the two are connected using a simple cable with RJ45 connectors, the combination offers full Power Meter capabilities and all the measurements required to monitor the electrical installation.

	Measurements	Operating and Maintenance Assistance	Communication Network
Ammeter (Micrologic A Trip Unit)	<p>Current measurements</p> <ul style="list-style-type: none"> Phase and neutral currents I_A, I_B, I_C, I_N Average current of the 3 phases I_{avg} Highest current of the three phases I_{max} Ground-fault current I_g (Micrologic 6.2 / 6.3 A) trip units Maximum and minimum current measured 	<p>Indicators, alarms and histories</p> <ul style="list-style-type: none"> Fault types Alarms for high/low alarm thresholds linked to I measurements Trip, alarm and operating histories Time-stamped tables for settings and maximum current <p>Maintenance indicators</p> <ul style="list-style-type: none"> Operation, trip and alarm counters Operating hours counter Contact wear Load profile and thermal image 	Modbus with add-on module
Energy (Micrologic E Trip Unit)	<p>Current measurements</p> <ul style="list-style-type: none"> Phase and neutral currents I_A, I_B, I_C, I_N Average current of the 3 phases I_{avg} Highest current of the three phases I_{max} Ground-fault current I_g (Micrologic 6.2 / 6.3 A trip units) Maximum and minimum current measured Current unbalance between phases <p>Voltage measurements</p> <ul style="list-style-type: none"> Phase-to-phase (V) and phase-to-neutral (U) voltages Average voltages V_{avg}, U_{avg} Ph-Ph (V) and Ph-N (U) voltage unbalance <p>Frequency measurements</p> <ul style="list-style-type: none"> Frequency (f) <p>Power-quality indicators</p> <ul style="list-style-type: none"> Total harmonic distortion (THD) for current and voltage <p>Power measurements</p> <ul style="list-style-type: none"> Active, reactive and apparent power, total and per phase Power factor and $\cos \phi$ <p>Maximum and minimum</p> <ul style="list-style-type: none"> For all I, V, f, P, E measurements <p>Demand current and power measurements</p> <ul style="list-style-type: none"> Demand values, total and per phase Maximum demand <p>Energy metering</p> <ul style="list-style-type: none"> Active, reactive and apparent energy, total and per phase 	<p>Indicators, alarms and histories</p> <ul style="list-style-type: none"> Fault types Alarms for high/low thresholds linked to I, V, f, P, E measurements Trip, alarm and operating histories Time-stamped tables for settings and I, V, f, P, E maximum values <p>Maintenance indicators</p> <ul style="list-style-type: none"> Operation, trip and alarm counters Operating hours counter Contact wear Load profile and thermal image 	Modbus with add-on module

PowerPact H-, J-, and L-Frame Circuit Breakers Trip Units

Power Requirements

The amount of current needed to power the trip unit is printed in the upper left hand corner of the trip unit by the Ready LED.

Table 65: Trip Unit Power Requirements

Frame		Power-Up Requirement
H-Frame, 60 A	60 A	> 15 A
	100 A	> 15 A
	150 A	> 30 A
J-Frame, 250A	250A	> 30 A
L-Frame, 600 A	400 A	> 50 A
	600 A	> 50 A

Protection

Settings can be adjusted in two ways, using the rotary switches and/or the keypad.

- The keypad can be used to make fine adjustments in 1 A steps below the maximum value defined by the setting on the rotary switch.
- Access to setting modifications using the keypad is protected by a locking function displayed on the screen and controlled by a microswitch.
- The lock is activated automatically if the keypad is not used for 5 minutes.
- Access to the microswitch is protected by a transparent, sealable cover.
- With the cover closed, it is still possible to display the various settings and measurements using the keypad.

Overloads: Long-Time Protection (I_r)

Inverse time protection against overloads with an adjustable current pick-up I_r is set using a rotary switch or the keypad for fine adjustments. The time delay t_r is set using the keypad.

Short-Circuits: Short-Time Protection (I_{sd})

Short-circuit protection with an adjustable pick-up I_{sd} and adjustable time delay t_{sd} , with the possibility of including a portion of an inverse time curve (I^2t On).

Short-Circuits: Instantaneous Protection (I_i)

Instantaneous protection with adjustable pick-up I_i .

Additional Ground Fault Protection (I_g) on Micrologic 6 Trip Units

Residual type ground-fault protection with an adjustable pick-up I_g and adjustable time delay t_g . Possibility of including a portion of an inverse time curve (I^2t On).

Neutral Protection

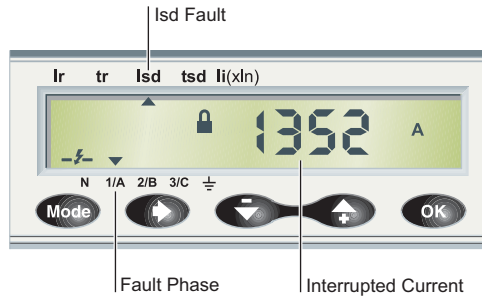
- On four-pole circuit breakers, this protection can be set using the keypad:
 - Off: neutral unprotected
 - 0.5: neutral protection at half the value of the phase pick-up ($0.5 \times I_r$)
 - 1.0: neutral fully protected at I_r
 - OSN: Oversized neutral protection at 1.6 times the value of the phase pick-up.
Used when there is a high level of 3rd order harmonics (or orders that are multiples of 3) that accumulate in the neutral and create a high current. In this case, the device must be limited to $I_r = 0.63 \times I_n$ for the maximum neutral protection setting of $1.6 \times I_r$.
- With three-pole circuit breakers, the neutral can be protected by installing an external neutral sensor with the output (T1, T2) connected to the trip unit.

PowerPact H-, J-, and L-Frame Circuit Breakers Trip Units

Zone Selective Interlocking (ZSI)

A ZSI terminal block may be used to interconnect a number of Micrologic trip units to provide zone selective interlocking for short-time (I_{sd}) and ground-fault (I_g) protection, without a time delay. For PowerPact H- and J-frame circuit breakers, the ZSI function is available only in relation to the upstream circuit breaker (ZSI out). For PowerPact L-frame circuit breakers, the ZSI function is available in relation to the upstream circuit breaker (ZSI out) and downstream circuit breakers (ZSI in).

Display of Type of Fault.

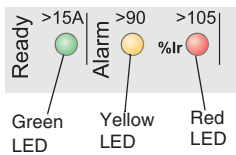


On a fault trip, the type of fault (I_r , I_{sd} , I_i , I_g), the phase concerned and the interrupted current are displayed. An external power supply is required.

Display of Interrupted Current.

Indicators

Front Indicators



- The green “Ready” LED blinks slowly when the electronic trip unit is ready to provide protection. It indicates the trip unit is operating correctly.
- Orange overload pre-alarm LED stays on when $I > 90\% I_r$
- Red overload LED stays on when $I > 105\% I_r$

Remote Indicators

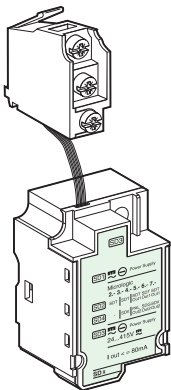
An SDx relay module installed inside the circuit breaker can be used to remote the following information:

- overload trip
- overload prealarm (Micrologic 5 trip units) or ground fault trip (Micrologic 6 trip units)

This module receives the signal from the Micrologic electronic trip unit through an optical link and makes it available on the terminal block. The signal is cleared when the circuit breaker is closed.

Note: all the trip units have a transparent sealable cover.

These outputs can be reprogrammed to be assigned to other types of tripping or that protects access to the adjustment rotary switch. The module is described in detail in the section dealing with accessories.



SDx Module

PowerPact H-, J-, and L-Frame Circuit Breakers Trip Units

Table 66: Micrologic 5/6 Trip Unit¹

Ratings	I_n at 104°F (40°C) ²	60 A	100 A	150 A	250 A	400 A	600 A
Circuit Breaker	H-frame	X	X	X			
	J-frame				X		
	L-frame					X	X

L Long-time protection

Pick-up (A) tripping between 1.05 and 1.20 I_r	I_r	rotary switch	Value depending on the trip unit rating (I_n) and setting on rotary switch									
		$I_n = 60$ A	$I_r =$	15	20	25	30	35	40	45	50	60
	$I_n = 100$ A	$I_r =$	35	40	45	50	60	70	80	90	100	
	$I_n = 150$ A	$I_r =$	50	60	70	80	90	100	110	125	150	
	$I_n = 250$ A	$I_r =$	70	80	100	125	150	175	200	225	250	
	$I_n = 400$ A	$I_r =$	125	150	175	200	225	250	300	350	400	
	$I_n = 600$ A	$I_r =$	200	225	250	300	350	400	450	500	600	
Time Delay (s) Accuracy 0 to -20%		keypad setting	Fine adjustment in 1 A steps below maximum value set on rotary switch									
	$t_r =$	keypad setting	0.5	1	2	4	8	16				
		1.5 x I_r	15	25	50	100	200	400				
		6 x I_r	0.5	1	2	4	8	16				
		7.2 x I_r	0.35	0.7	1.4	2.8	5.5	11				
Thermal memory	20 minutes before and after tripping											

S Short-time protection

Pick-up (A) accuracy ± 10%	I_{sd}	keypad setting	1.5	2	2.5	3	3.5	4	4.5	5	5.5	6	6.5	7	7.5	8	8.5	9	9.5	10
			Fine adjustment in 0.5 x I_r steps using the keypad																	
Time delay	$t_{sd} =$	Keypad setting	I^2t Off		0		0.1 s		0.2 s		0.3 s		0.4 s							
			I^2t On		—		0.1 s		0.2 s		0.3 s		0.4 s							
	Non-tripping time		20 ms		80 ms		140 ms		230 ms		350 ms									
Maximum break time		80 ms		140 ms		200 ms		320 ms		500 ms										

I Instantaneous

Pick-up (A) accuracy ± 15%	$I_i = I_n \times$	Rotary Switch	60 A	1.5	2	.3	4	6	8	10	12	15
				100 A	1.5	2	.3	4	6	8	10	12
	150 A	1.5	2	.3	4	6	8	10	12	15		
	250 A	1.5	2	.3	4	5	6	8	10	12		
	400 A	1.5	2	.3	4	5	6	8	10	12		
	600 A	1.5	2	.3	4	5	6	8	10	11		
Non-tripping time			10 ms									
Maximum break time			50 ms for $I > I_i$									

G Ground-fault protection - for Micrologic 6 A or E Trip Units

Pick-up (A) accuracy ± 10%	I_g	Keypad Setting	0.3	0.35	0.4	0.45	0.5	0.55	0.6	0.65	0.7	0.75	0.8	0.85	0.9	0.95	1			
				$I_n = 60$ A	$I_g =$	0.2	2.5	0.3	0.35	0.4	0.45	0.5	0.55	0.6	0.65	0.7	0.75	0.8	0.85	0.9
	$I_n = 100-600$ A	$I_g =$																		
Time delay (s)	$t_g =$	Keypad setting	I^2t Off		0		0.1		0.2		0.3		0.4							
			I^2t On		—		0.1		0.2		0.3		0.4							
	Non-tripping time		20		80		140		230		350									
	Maximum break time		80		140		200		320		500									
Test	I_g function		Built in																	

¹ Mission Critical trip units have a “-W” at the end of the number (for example 3.2-W). All other protections are the same and have the same trip curves.

² If the trip units are used in high-temperature environments, the Micrologic trip unit setting must take into account the thermal limitations of the circuit breaker. See the temperature derating information on page 150.

PowerPact H-, J-, and L-Frame Circuit Breakers Trip Units

Table 67: Micrologic 3 Field-Installable Trip Units¹

Circuit Breaker				Trip Unit Type	Catalog No.
Frame	Standard	Poles	Rating		
H-frame	UL/CSA/NOM	3	60 A	Micrologic 3.2	HE3060U31X
		3	60 A	Micrologic 3.2S	HE3060U33X
		3	100 A	Micrologic 3.2	HE3100U31X
		3	100 A	Micrologic 3.2S	HE3100U33X
		3	150 A	Micrologic 3.2	HE3150U31X
		3	150 A	Micrologic 3.2S	HE3150U33X
J-Frame	UL/CSA/NOM	3	250 A	Micrologic 3.2	JE3250U31X
		3	250 A	Micrologic 3.2S	JE3250U33X
L-Frame	UL/CSA/NOM	3	250 A	Micrologic 3.3	LE3250U31X
				Micrologic 3.3S	LE3250U33X
			400 A	Micrologic 3.3	LE3400U31X
				Micrologic 3.3S	LE3400U33X
			600 A	Micrologic 3.3	LE3600U31X
				Micrologic 3.3S	LE3600U33X
		4	250 A	Micrologic 3.3	LE4250U31X
				Micrologic 3.3S	LE4250U33X
			400 A	Micrologic 3.3	LE4400U31X
				Micrologic 3.3S	LE4400U33X
			600 A	Micrologic 3.3	LE4600U31X
				Micrologic 3.3S	LE4600U33X

¹ Mission Critical trip units that end in "W" are factory sealed and are not available as field installable units.

PowerPact H-, J-, and L-Frame Circuit Breakers Trip Units

Table 68: Micrologic 5 and 6 Field-Installable Trip Units¹

Circuit Breaker				Trip Unit Type	Catalog No.
Frame	Standard	Poles	Rating		
H-frame	UL/CSA/NOM	3	60 A	Micrologic 5.2 A	HE3060U43X
				Micrologic 6.2 A	HE3060U44X
				Micrologic 5.2 E	HE3060U53X
				Micrologic 6.2 E	HE3060U54X
			100 A	Micrologic 5.2 A	HE3060U43X
				Micrologic 6.2 A	HE3100U44X
				Micrologic 5.2 E	HE3100U53X
				Micrologic 6.2 E	HE3100U54X
			150 A	Micrologic 5.2 A	HE3150U43X
				Micrologic 6.2 A	HE3150U44X
				Micrologic 5.2 E	HE3150U53X
				Micrologic 6.2 E	HE3150U54X
J-Frame	UL/CSA/NOM	3	250 A	Micrologic 5.2 A	JE3250U43X
				Micrologic 6.2 A	JE3250U44X
				Micrologic 5.2 E	JE3250U53X
				Micrologic 6.2 E	JE3250U54X
L-Frame	UL/CSA/NOM	3	400 A	Micrologic 5.3 A	LE3400U43X
				Micrologic 6.3 A	LE3400U44X
				Micrologic 5.3 E	LE3400U53X
				Micrologic 6.3 E	LE3400U54X
			600 A	Micrologic 5.3 A	LE3600U43X
				Micrologic 6.3 A	LE3600U44X
				Micrologic 5.3 E	LE3600U53X
				Micrologic 6.3 E	LE3600U54X
	UL/CSA/NOM	4	400 A	Micrologic 5.3 A	LE4400U43X
				Micrologic 6.3 A	LE4400U44X
				Micrologic 5.3 E	LE4400U53X
				Micrologic 6.3 E	LE4400U54X
600 A	Micrologic 5.3 A	LE4600U43X			
	Micrologic 6.3 A	LE4600U44X			
	Micrologic 5.3 E	LE4600U53X			
	Micrologic 6.3 E	LE4600U54X			

¹ Mission Critical trip units that end in "W" are factory sealed and are not available as field installable units.

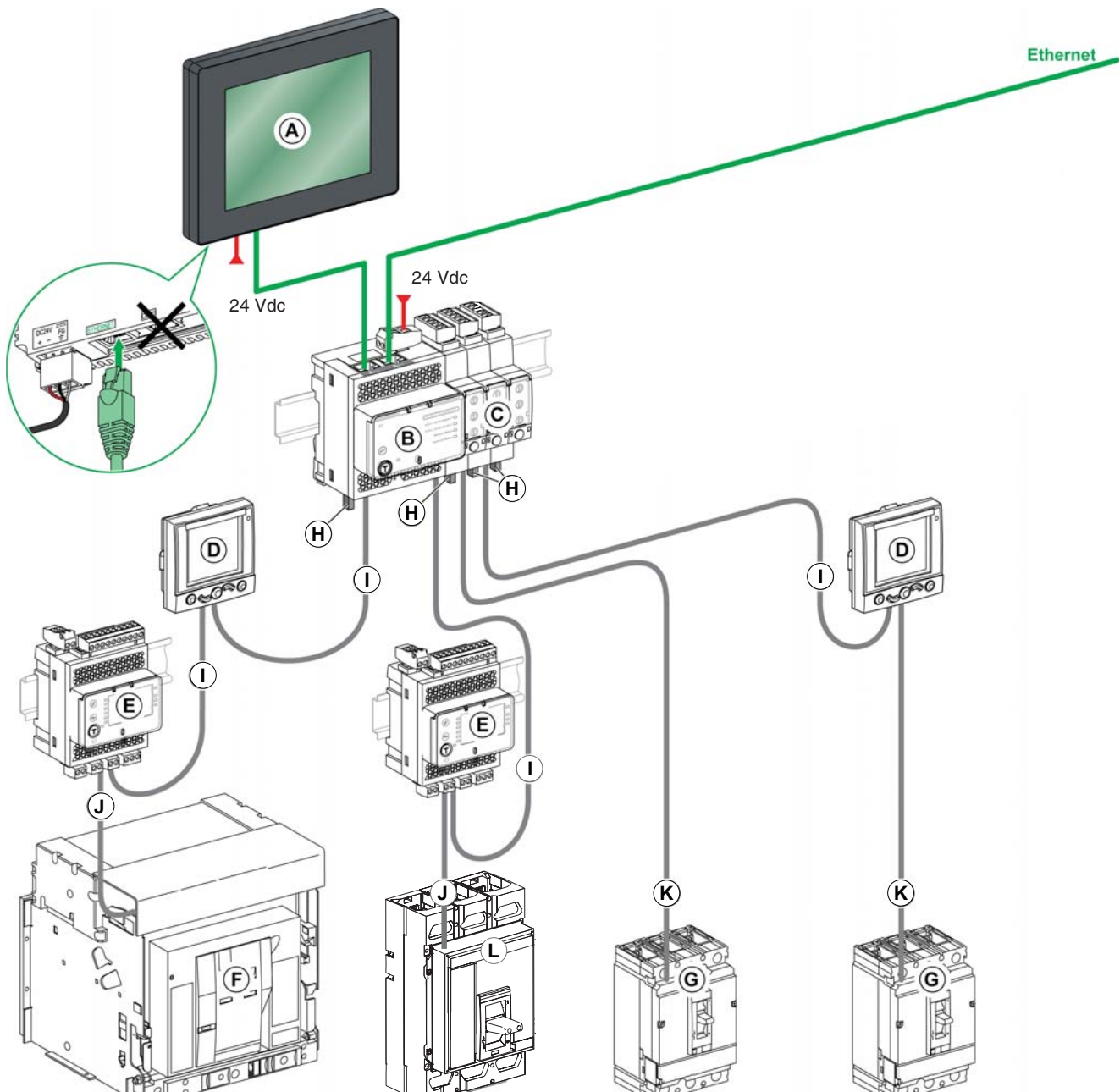
Table 69: Micrologic Spare Parts

Description	Frame	Trip Unit	Catalog No.
LCD Display	H/J/L	Micrologic 5	S429483
		Micrologic 6	S429484
Trip Unit Cover-Transparent	H/J	Micrologic 3	S429481
	L		S432461
	H/J	Micrologic 5/6	S429478
	L		S432459
Trip Unit Wire Seal	H	Micrologic 3/5/6	MICROTUSEAL

Smart System Communication Wiring System

Wiring System ULP

The wiring system is designed for low-voltage power switchboards. Installation does not require special tools or training. The prefabricated wiring ensures both data transmission (Modbus protocol) and 24 Vdc power distribution for the communications modules on the Micrologic trip units.



- A. FDM128 display for 8 LV devices
- B. IFE Ethernet interface for LV circuit breaker and gateway
- C. IFM Modbus-SL interface for LV circuit breaker
- D. FDM121 display for LV circuit breaker
- E. IO input/output interface module for LV circuit breaker
- F. Masterpact NT/NW circuit breaker

- G. PowerPact H-, J-, or L-frame circuit breaker
- H. ULP line terminator
- I. ULP cable
- J. Breaker ULP cord
- K. NSX cord
- L. PowerPact P/R or Compact NS

PowerPact H-, J-, and L-Frame Circuit Breakers Trip Units

Four Functional Levels

All PowerPact H-, J-, and L-frame circuit breakers devices can be equipped with the communication function using a pre-wired connection system and a Modbus™ communication interface module. The interface module can be connected directly or through the front display module (FDM121).

The PowerPact H-, J-, and L-frame circuit breakers can be integrated in a Modbus communication network. Four functional levels can be used separately or combined to adapt to all supervision requirements.

Level	Function
Communication of status indications	Compatible with PowerPact H-, J- and L-frame circuit breakers and automatic switches. Use the BSCM module to access the following information: <ul style="list-style-type: none">• ON/OFF position• trip indication• fault-trip indication
Communication of commands	Available on all circuit breakers and automatic switches with communicating motor operators, the remote control can be used to: <ul style="list-style-type: none">• open• closed• reset
Communication of measurements with Micrologic 5/6 A or E trip unit	This level provides access to: <ul style="list-style-type: none">• instantaneous and demand values• maximums/minimums• energy metering• demand current and power• power quality
Communication of operating assistance with Micrologic 5/6 A or E trip unit	This level also provides access to: <ul style="list-style-type: none">• protection and alarm settings• time-stamped histories and event tables• maintenance indicators

Modbus Principle

The Modbus RS 485 (RTU protocol) system is an open bus on which communicating Modbus devices (PowerPact and Masterpact circuit breakers, Power Meter PM700, PM800, etc.) are installed. All types of PLCs and microcomputers may be connected to the bus.

Number of Devices

The maximum number of devices that may be connected to the Modbus bus depends on the type of device (PowerPact circuit breaker with Modbus COM, PM700, PM800, Masterpact circuit breaker, etc.), the baud rate (19200 is recommended), the volume of data exchanged and the desired response time. The RS 485 physical layer offers up to thirty-two connection points on the bus (one master, thirty-one slaves).

Length of Bus

The maximum recommended length for the Modbus bus is 3940 feet (1200 meters).

Bus Power Source

A 24 Vdc power supply is required (less than 20% ripple, insulation class II).

Ethernet Principle

Ethernet is a data link and physical layer protocol defined by IEEE 802.10 and 100 Mbps specifications that connects computer or other Ethernet devices. Ethernet is an asynchronous Carrier Sense Multiple Access with Collision detection (referred as CSMA/CD) protocol. Carrier Sense means that the hosts can detect whether the medium (coaxial cable) is idle or busy.

Multiple Access means that multiple hosts can be connected to the common medium. Collision Detection means a host detects whether its transmission has collided with the transmission of another host (or hosts).

IFE Ethernet interface can be connected to a PC or a laptop over Ethernet. The maximum length of Ethernet cable is 325 feet (100 meters). IFE Ethernet interface + gateway provides a Modbus TCP/IP gateway over Ethernet to enable Modbus TCP communication from a Modbus TCP master to any Modbus slave devices connected to it. The maximum active Modbus TCP client connection is twelve.

IFE Ethernet interface has an embedded web server (web page).

IFE Ethernet Interface

IFE Interface, IFE Interface + Gateway Description



IFE Interface

Introduction

The IFE interface and IFE interface + gateway enable low-voltage circuit breakers such as Masterpact and PowerPact to be connected to an Ethernet network.

IFE Interface

Provides Ethernet access to a single low-voltage circuit breaker.

Function: Interface - one circuit breaker is connected to the IFE interface using its ULP port.

IFE Interface + Gateway

Provides Ethernet access to one or several low-voltage circuit breakers.

Functions:

- Interface - one circuit breaker is connected to the IFE interface using its ULP port.
- Gateway: several circuit breakers on a Modbus network are connected using the IFE interface + gateway master Modbus port.



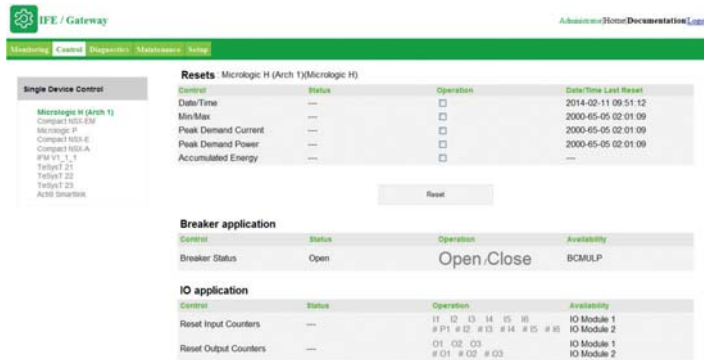
IFE Interface + Gateway

IFE Interface, IFE Interface + Gateway Features

- Dual 10/100 Mbps Ethernet port for simple daisy chain connection.
- Device profile web service for discovery of the IFE interface, IFE interface + gateway on the LAN.
- Ethernet interface for Masterpact and PowerPact circuit breakers.
- Gateway for Modbus-SL connected devices (IFE interface + gateway only).
- Embedded set-up web pages.
- Embedded monitoring web pages.
- Embedded control web pages.
- Built-in e-mail alarm notification.

PowerPact H-, J-, and L-Frame Circuit Breakers Trip Units

Figure 8: IFE Interface, IFE Interface + Gateway Screen



Mounting

The IFE interface and IFE interface + gateway are DIN rail mounting devices. A stacking accessory enables the user to connect several IFMs (ULP to Modbus interfaces) to an IFE interface + gateway without additional wiring.

24 Vdc Power Supply

The IFE interface and the IFE interface + gateway must always be supplied with 24 Vdc.

The IFMs stacked to an IFE interface + gateway have power supplied by the IFE interface + gateway, thus it is not necessary to supply them separately. It is recommended to use a UL listed and recognized limited voltage/limited current or a class 2 power supply with a 24 Vdc, 3 A maximum.

Required Circuit Breaker Communication Modules

The connection to an IFE interface or IFE interface + gateway requires a communication module embedded into the circuit breaker:

- PowerPact and Compact (fixed or drawout) circuit breakers: BSCM communication module
- Drawout PowerPact and Compact circuit breakers: BSCM and its respective I/O (Input/Output) application module.

All connection configurations for PowerPact and Compact circuit breakers require the circuit breaker ULP cord. The insulated NSX cord is mandatory for system voltages greater than 480 Vac. When the second ULP RJ45 connector is not used, it must be closed with a ULP terminator (TRV00880).

PowerPact H-, J-, and L-Frame Circuit Breakers Trip Units

Table 70: Network Communication Interface

Characteristic		Value
Type of interface module		Modbus RTU, RS485 serial connection Modbus TCP/IP Ethernet
Transmission	Modbus RS485	<ul style="list-style-type: none"> • Transfer rate: 9,600–19,200 Baud • Medium Double shielded twisted pair • Impedance 120 Ω
	Ethernet	Transfer rate: 10/100 Mbps Medium STP, Cat5e, straight cable
Structure	Type	Modbus, Ethernet
	Method	Master/Slave
Device type	Modbus	Master
	Ethernet	Server
Turnaround time	Modbus	10 ms
	Ethernet	1 ms
Maximum length of cable	Modbus	1000 m
	Ethernet	100 m
Type of bus connector	Modbus	4-pin connector
	Ethernet	RJ45 (Shielded)

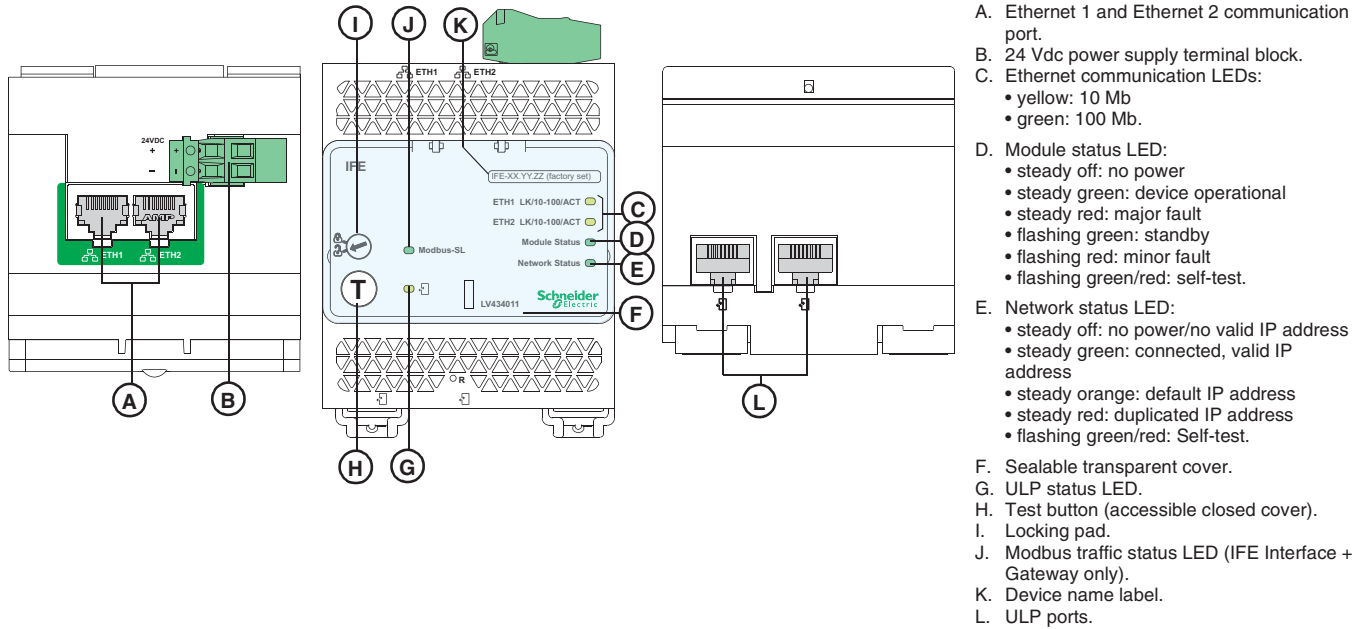
Table 71: IFE Ethernet Interface Characteristics

General Characteristics		IFE Web Page Description	
Environmental Characteristics		Monitoring Web Page	
Conforming to standards	UL 508, UL 60950, IEC 60950, 60947-6-2	Real time data	X
Certification	cUIUs, FCC, CE	Device logging	X
Ambient temperature	Storage: -40 to +185°F (-40 to +85°C) Operation: -13 to +158°F (-25 to +70°C)	Control Web Page	
Protective Treatment	ULVO, conforming to IEC 60068-2-30	Single device control	X
Pollution	Level 3	Diagnostics Web Page	
Mechanical Characteristics		Statistics	X
Shock resistance	Conforming to IEC 60068-2-27 15g/11ms, 1/2 sinusoidal	Device information	X
Resistance to sinusoidal vibrations	Conforming to IEC 60068-2-6	IMU (circuit breaker) information	X
Electrical Characteristics		Read device registers	X
Power Supply	24 Vdc, -20%/+10% (19.2 to 26.4 Vdc)	Communication check	X
Consumption	Typical: 4 Vdc, 120 mA at 68°F (20°C) Maximum with gateway: 26.4 Vdc, 3 A at 140°F (60°C)	Maintenance Web Page	
Physical Characteristics		Maintenance log	X
Dimensions	2.83 x 4.13 x 2.79 in. (72 x 105 x 71 mm)	Maintenance counters	X
Mounting	Mounting DIN rail	Setup Web Page	
Weight	182.5 g (0.41 lb)	Device localization/name	X
Degree of protection of the installed module	On the front panel (wall mounted enclosure): IP4x Connectors: IP2x Other parts: IP3x	Ethernet configuration (dual port)	X
Connections	Screw type terminal blocks	IP configuration	X
Technical Characteristics - 24 Vdc Power Supply		Modbus TCP/IP filtering	X
Power supply type	Regulated switch type	Serial port	X
Rated power	72 W	Date and time	X
Input voltage	100–120 Vac for single phase 200–500 Vac phase-to-phase	E-mail server configuration	X
PFC filter	With IEC 61000-3-2	Alarms to be e-mailed	X
Output voltage	24 Vdc	Device list	X
Power supply out current	3 A	Device logging	X
		Device log export	X
		SNMP parameters	X
		Documentation links	X
		Preferences	X
		Advanced services control	X
		User accounts	X

PowerPact H-, J-, and L-Frame Circuit Breakers Trip Units

Table 71: IFE Ethernet Interface Characteristics

NOTE: Use a UL Listed/UL Recognized limited voltage/limited current or a Class 2 power supply with a 24 Vdc, 3 A maximum.



IFM Modbus Communication Interface

Function

An IFM Modbus communication interface is required for connection of a Masterpact or PowerPact circuit breaker to a Modbus network as long as this circuit breaker is provided with a ULP (Universal Logic Plug) port. The port is available on the BSCM.

Once connected, the circuit breaker is considered as a slave by the Modbus master. Its electrical values, alarm status, open/close signals can be monitored or controlled by a Programmable Logic Controller or any other system.

Characteristics

ULP Port

Two RJ45 sockets, internal parallel wiring.

- Connection of a single circuit breaker.
- A ULP line terminator or an FDM121 display unit must be connected to the second RJ45 ULP socket.
- The RJ45 sockets deliver a 24 Vdc supply fed from the Modbus socket.
- Built-in test function, for checking the correct connection to the circuit breaker and FDM121 display unit.

Modbus Slave Port

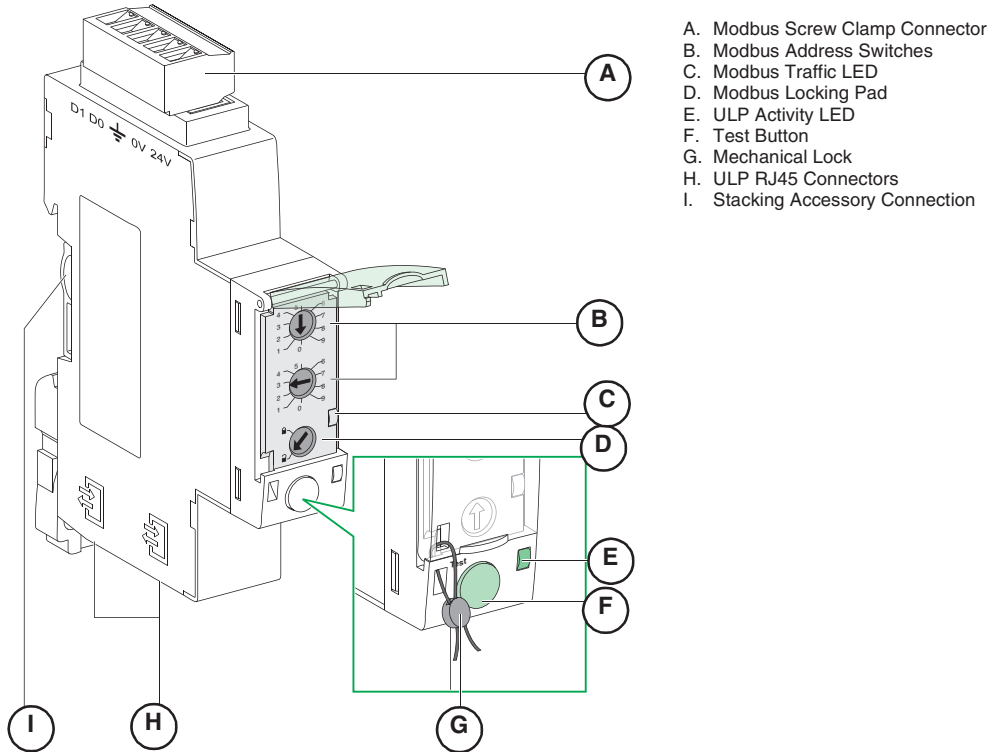
- Top socket for screw-clamp connector, providing terminals for:
 - 24 Vdc input supply (0 V, +24 V)
 - Modbus line (D1, D2, Gnd) 2-wire Modbus system.



IFM Modbus
Communication Interface.
Ref.: TRV00210

PowerPact H-, J-, and L-Frame Circuit Breakers Trip Units

- Lateral socket, for DIN-rail stackable connector. Both top and lateral sockets are internally parallel wired.
- Multiple IFMs can be stacked, thus sharing a common power supply and Modbus line without individual wiring.
- On the front face:
 - Modbus address setting (1 to 99): 2 coded rotary switches
 - Modbus locking pad: enables or disable the circuit breaker remote control and modification of IFM parameters.
- Self-adjusting communication format (Baud rate, parity).



Technical Characteristics

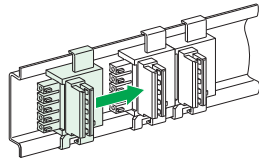
Table 72: IFM Modbus Communication Interface

Dimensions		0.71 x 2.83 x 3.78 in. (18 x 72 x 96 mm)
Maximum number of stacked IFM		12
Degree of protection of the installed module	Part projecting beyond the escutcheon	IP4x
	Other module parts	IP3x
	Connectors	IP2x
Operating temperature		-13 to 158°F (-25 to +70°C)
Power supply voltage		24 Vdc -20%/+10% (19.2–26.4 Vdc)
Consumption	Typical	21 mA/24 Vdc at 68°F (20°C)
	Maximum	30 mA/19.2 Vdc at 140°F (60°C)
Certification	CE	IEC/EN 60947-1
	UL	UL 508 - Industrial Control Equipment
	CSA	No. 142-M1987 - Process Control Equipment • CAN/CSA C22.2 No. 0-M91 - General requirements - Canadian Electrical Code Part • CAN/CSA C22.2 No. 14-05 - Industrial Control Equipment

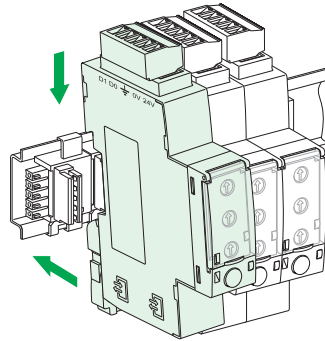
PowerPact H-, J-, and L-Frame Circuit Breakers Trip Units

Simplified IFM Installation

Stacking an IFM

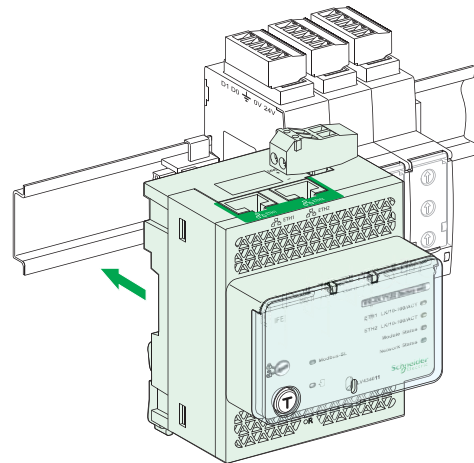
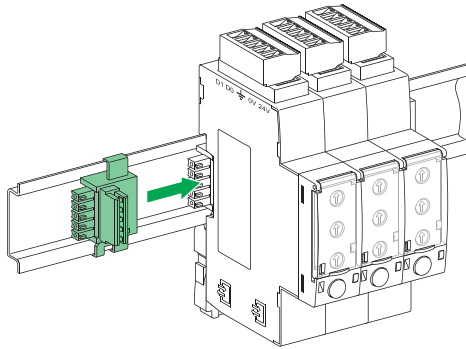


Stacking Accessories



Up to Twelve Stacked IFM

Stacking an IFE Interface + Gateway with IFMs



I/O Application Module

Description



I/O Application Module

The I/O (Input/Output) application module for a low-voltage circuit breaker is part of an ULP system with built-in functions and applications to enhance the application needs. The ULP system architecture can be built without any restrictions using the wide range of circuit breakers.

The I/O application module is compliant with the ULP system specifications.

Two I/O application modules can be connected in the same ULP network.

The ranges of low-voltage circuit breakers enhanced by the I/O application module are:

- Masterpact NW
- Masterpact NT
- PowerPact R-Frame
- PowerPact P-Frame
- PowerPact H-Frame
- PowerPact J-Frame
- PowerPact L-Frame

I/O (Input/Output) Application Module for Low-Voltage Circuit Breaker Resources

The I/O application module resources are:

- Six digital inputs that are self powered for either NO and NC dry contact or pulse counter.
- Three digital outputs that are a bistable relay (5 A maximum).
- One analog input for PT100 temperature sensor.

Pre-Defined Application

The pre-defined application adds new functions to the I/O application module by:

- Selection by the application rotary switch on the I/O application module, defining the application with pre-defined input/output assignment and wiring diagram.
- No additional setting with the customer engineering tool required.

The resources not assigned to the pre-defined application are free for additional user-defined applications:

- cradle management
- circuit breaker operation
- cradle management + ERMS (Energy Reduction Maintenance Setting)

NOTE: Use only Micrologic P or H trip units with the blue ERMS label for energy reduction maintenance setting systems. Review the I/O module user guide 0613IB1317 and ERMS installation instructions NHA37346 for details on installation, testing, and operation of the ERMS system.

- light and load control
- custom

PowerPact H-, J-, and L-Frame Circuit Breakers Trip Units

User-Defined Applications

User-defined applications are processed by the I/O application module in addition to the pre-defined application selected.

The user-defined applications are available depending on:

- the pre-defined application selected
- the I/O application module resources (inputs and outputs) not used by the application.

The resources required by user-defined applications are assigned using the customer engineering tool:

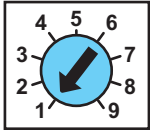
- protection
- control
- energy management
- monitoring.

Mounting

The I/O application module is a DIN rail mounted device. Install on a steel DIN rail that is properly grounded near the device.

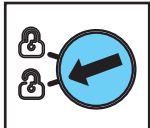
Application Rotary Switch

The application rotary switch enables the selection of the pre-defined application. It has nine positions and each position is assigned to a pre-defined application. The factory set position of the switch is pre-defined application one.

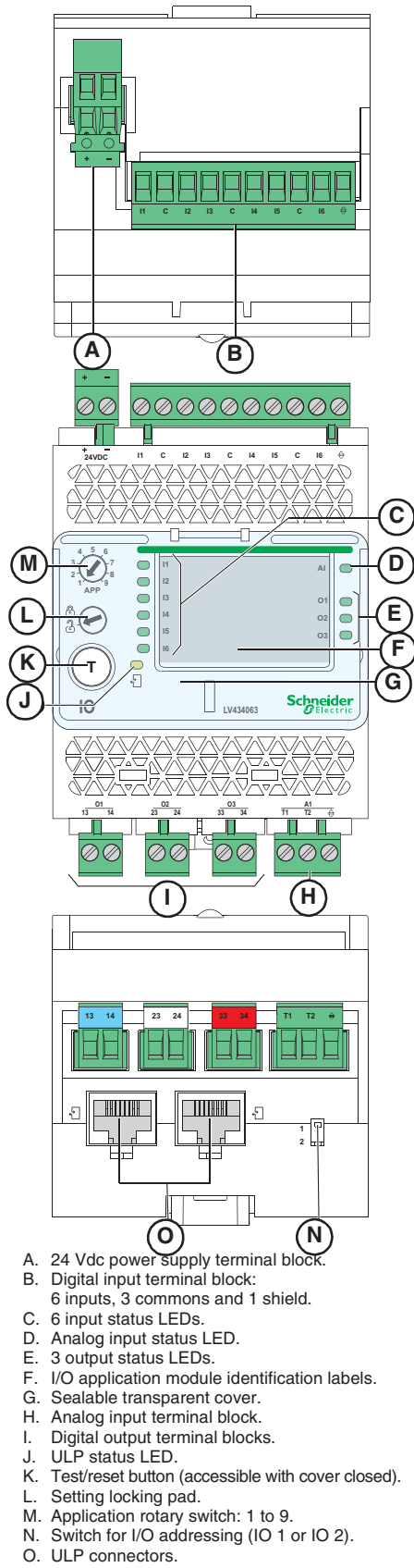


Setting Locking Pad

The setting locking pad on the front panel of the I/O application module enables the setting of the I/O application module by the customer engineering tool.



PowerPact H-, J-, and L-Frame Circuit Breakers Trip Units



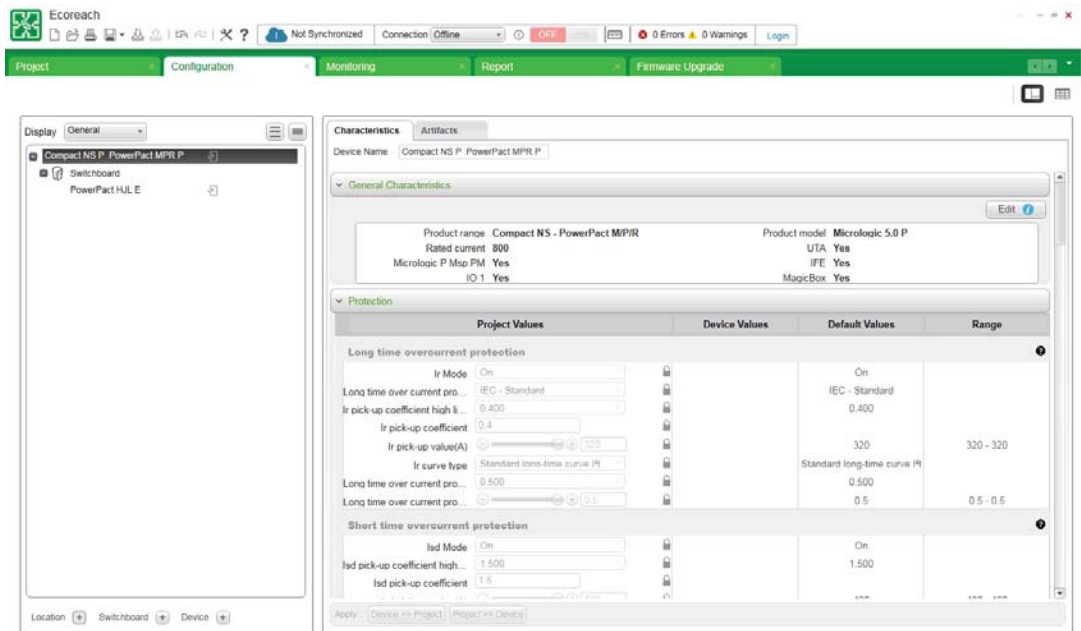
General Characteristics

Environmental Characteristics	Conforming to standards	UL 508, UL 60950, IED 60950, 60947-6-2
	Certification	cULus, EAC, FCC, CE
	Ambient temperature	Storage: -40 to +185°F (-40 to +85°C) Operation: -13 to +158°F (-25 to +70°C)
	Protective Treatment	ULVO, conforming to IEC 60068-2-30
Mechanical Characteristics	Pollution	Level 3
	Shock resistance	Conforming to IEC 60068-2-27 15g/11ms, 1/2 sinusoidal
Electrical Characteristics	Resistance to sinusoidal vibrations	Conforming to IEC 60068-2-6
	Power Supply	24 Vdc, -20%/+10% (19.2 to 26.4 Vdc)
Physical Characteristics	Consumption	Typical: 24 Vdc, 165 mA at 20°C Maximum with gateway: 26.4 Vdc, 420 mA at 60°C
	Dimensions	2.83 x 4.52 X 2.79 in. (72 x 115 x 71 mm)
	Mounting	DIN rail
	Weight	0.51 lb. (229.5 g)
Technical Characteristics	Degree of protection of the installed I/O application module	<ul style="list-style-type: none"> On the front panel (wall mounted enclosure): IP4x I/O parts: IP3x Connectors: IP2x
	Connections	Screw type terminal blocks
	Power supply type	Regulated switch type
	Rated power	72 W
	Input voltage	<ul style="list-style-type: none"> 100–120 Vac for single phase 200–500 Vac phase-to-phase maximum
	PFC filter	With IEC 61000-3-2
	Output voltage	24 Vdc
	Power supply out current	3 A
	NOTE: It is recommended to use an UL listed/UL listed recognized limited voltage/limited current or a class 2 power supply with a 24 Vdc, 3 A maximum.	
	Digital Inputs	Digital input type
Input limit values at state 1 (close)		19.8–25.2 Vdc, 6.1–8.8 mA
Input limit values at state 0 (open)		0–19.8 Vdc, 0 mA
Maximum cable length		33 ft (10 m)
NOTE: For a length greater than 10 m (33 ft) and up to 300 m (1,000 ft), it is mandatory to use a shielded twisted cable. The shield cable is connected to the I/O functional ground of the I/O application module.		
Digital Outputs	Digital output type	Bistable relay
	Rated load	5 A at 250 Vac
	Rated carry current	5 A
	Maximum switching voltage	380 Vac, 125 Vdc
	Maximum switch current	5 A
	Maximum switching power	1250 VA, 150 W
	Minimum permissible load	10 mA at 5 Vdc
	Contact resistance	30 mΩ
	Maximum operating frequency	<ul style="list-style-type: none"> 18000 operations/hr (Mechanical) 1800 operations/hr (Electrical)
	Digital output relay protection by an external fuse	External fuse of 5 A or less
Analog Inputs	Maximum cable length	10 m (33 ft)
	The I/O application module analog input can be connected to a Pt100 temperature sensor	
	Range	-22 to 392°F (-30 to 200°C)
	Accuracy	-22 to 68°F (-30 to 20°C): ±3.6°F (2°C) 68 to 284°F (20 to 140°C): ±1.8°F (1°C) 284 to 392°F (140 to 200°C): ±3.6°F (2°C)
Refresh interval	5 s	

Electrical Asset Manager Configuration Engineering Tool (Ecoreach™)

Introduction

The Ecoreach engineering tool is a software application that helps the user to manage a project as part of designing, testing, site commissioning, and maintenance of the project life cycle. It enables the user to prepare the settings of the devices offline (without connecting to the device) and configure them when connected with the devices. It also provides other value-added features for the user to manage the project such as: safe repository in cloud, attach artifacts to each device or at the project level, organize devices in switchboard, manage a hierarchical structure of the installation, etc.



Compatible Devices (Configuration and Device Management)

The Ecoreach engineering tool is compatible with the following devices:

- Compact NSX100-630 (IEC) circuit breakers
- PowerPact (UL) circuit breakers
- Compact NS630b-3200 (IEC) circuit breakers
- Masterpact NT/NW (IEC and UL) circuit breakers
- Compatible devices (Device Management in the project)
- Switches (Compact NSX, Masterpact & PowerPact Family)
- Third party devices.

References:

The Ecoreach software package can be downloaded from our website:

www.schneider-electric.com

Features

The Ecoreach engineering tool includes the Schneider Electric customer engineering tools such as the Remote Setting Utility (RSU) and Remote Control Utility (RCU) with additional features.

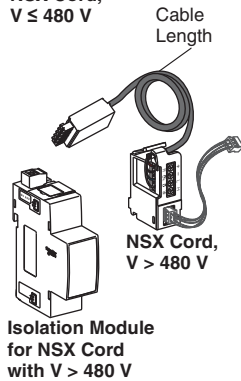
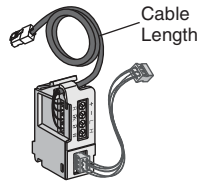
The Ecoreach engineering tool supports the connection of Schneider Electric communicable devices to:

- create projects by device discovery, selection of devices, and importing a Bill of Material (BOM)
- monitor the status of protection and I/O status
- read information (alarms, measurements, parameters)
- check protection discrimination between two devices
- upload and download of configuration or settings in batch mode to multiple devices.
- carry out commands and tests
- generate and print a device settings report and communication test report
- manage multiple devices with a electrical and communication hierarchy model
- manage artifacts (project documents)
- check consistency in settings between devices on a communication network
- compare configuration settings between PC and device (online)
- download latest firmware.

The Ecoreach engineering tool enables the user to access the advanced features of the software once the project is saved in the Schneider Electric cloud.

Section 8—Accessories for Micrologic™ Trip Units

NSX Cord



Micrologic trip units are connected to the Modbus communication interface module (IFM) or front display module through the internal terminal block for the NSX cord equipped with an RJ45 connector.

The NSX cord is available in two cable lengths:

- 4.27 ft. (1.3 m)
- 9.84 ft. (3 m)

Lengths up to 32.8 ft. (10 m) are possible using extensions.

- For voltage $V \leq 480$ V, available in 3 prefabricated lengths: 0.35 m, 1.3 m and 3 m.
- For voltages $V > 480$ V, a special 1.3 m cable with an insulation accessory is required.
- A set of cables with RJ45 connectors is available to adapt to different distances between devices.

Table 73: NSX Cord Catalog Numbers

Description	Catalog No.
NSX Cord 4.27 ft. (1.3 m), $V \leq 480$ V	S434201
NSX Cord 9.84 ft. (3 m), $V \leq 480$ V	S434202
NSX Cord 4.27 ft. (1.3 m), $V > 480$ V	S434204
NSX Cord 9.84 ft. (3 m), $V > 480$ V	S434303

Breaker Status and Control Module (BSCM)

Functions

The optional BSCM Breaker Status & Control Module is used to acquire device status indications and control the communicating remote-control function. It includes a memory used to manage the maintenance indicators.

Status indications

Indication of device status:

Auxiliary switch (OF), alarm switch (SD), and overcurrent trip switch (SDE).

Maintenance indicators

The BSCM manages the following indicators:

- mechanical operation counter
- electrical operation counter
- history of status indications.

It is possible to assign an alarm to the operation counters.

Controls

The BSCM can be used to carry out communicating remote control operations using the communicating motor operator (open, close and reset) in different modes (manual, auto).

Mounting

The BSCM can be installed on all PowerPact H-, J-, and L-frame circuit breakers and automatic switches with Micrologic trip units. It simply clips into the auxiliary contact slots. It occupies the slots of one auxiliary switch (OF) and one overcurrent trip switch (SDE). The BSCM is supplied with 24 Vdc power automatically through the NSX cord when the communication network is installed.

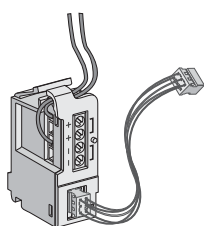
PowerPact H-, J-, and L-Frame Circuit Breakers Accessories for Micrologic™ Trip Units

Catalog Numbers

Table 74: BSCM Catalog Numbers

Description	Catalog No.
Replacement BSCM	S434205
BSCM with NSX Cord 1.3 m, V ≤ 480 V	S434201BS
BSCM with NSX Cord 3 m, V ≤ 480 V	S434202BS
BSCM with NSX Cord 1.3 m, V > 480 V	S434204BS
BSCM with NSX Cord 3 m, V > 480 V	S434303BS

24 Vdc Power-Supply Terminal Block



24 Vdc Terminal Block

The Micrologic 5/6 trip unit display is operational when current is flowing through the circuit breaker. To power the Micrologic 5/6 trip unit when the trip unit is not connected to an FDM121 or to the communication network, a 24 Vdc power-supply terminal block can be installed only on Micrologic 5/6 trip units. When used, it excludes connection of an NSX cord.

Table 75: 24 Vdc Catalog Number

Description	Catalog No.
24 Vdc Terminal Block Unit Mount	S434210

External 24 Vdc Power-Supply Module

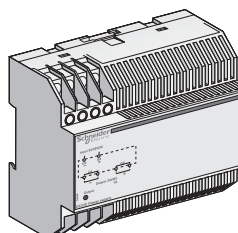
An external 24 Vdc power supply is required for installation in a communication network, whatever the type of trip unit.

On installations without a communication network, the power supply is available as an option for Micrologic 5/6 trip units in order to:

- modify settings when the circuit breaker is open
- display measurements when the current flowing through the circuit breaker is low (15 to 50 A depending on the rating)
- maintain the display of the cause of tripping and interrupted current.

A single external 24 Vdc supply may be used for the entire network, depending on the number of devices in the communication network. The required characteristics are:

- output voltage: 24 Vdc ± 5%
- ripple: ± 1%



External 24 Vdc Power-Supply Module

Table 76: Available External Power-Supply Modules (1 A)

Available External Power-Supply Modules		Input Voltage	Output Power	Cat. No.
Power supply	Vdc (±5%)	24–30	24 Vdc 1 A	685823
		48–60		685824
		100–125		685825
	Vac (+10%, -15%)	110–130		685826
		200–240		685827
		380–415		685829

To determine the required output current of the 24 Vdc power supply, it is necessary to sum up the currents consumed by the different loads supplied.

PowerPact H-, J-, and L-Frame Circuit Breakers Accessories for Micrologic™ Trip Units

Table 77: Power Requirements

Module	Typical Consumption 24 Vdc at 68°F (20°C)	Maximum Consumption 19.2 Vdc at 140°F (60°C)
Micrologic 5/6 trip units	30 mA	55 mA
BSCM	9 mA	15 mA
FDM121	21 mA	30 mA
IFM	21 mA	30 mA
Isolated Modbus Repeater Module	15 mA	19 mA

For installation recommendations, see page page 156.



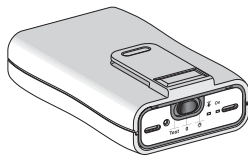
Battery Module

Battery Module

The battery module is a back-up supply for the external power-supply module. The input/output voltages are 24 Vdc and it can supply power for approximately three hours (100 mA).

Table 78: Battery Module

Description	Catalog No.
Battery Module	685831



Pocket Tester

Pocket Tester

The pocket tester connects to the Micrologic trip unit test connector. It powers up the Micrologic trip unit and the Ready LED. It supplies the screen, allows settings to be made using the keypad, and provides thermal imaging inhibit functions.

Table 79: Pocket Tester

Description	Catalog No.
Pocket Tester	S434206

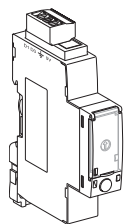
The pocket tester runs off of two Alkaline AA batteries.

Isolated Modbus Repeater Module

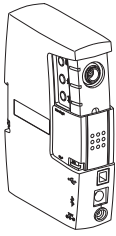
Since Modbus interface modules (part number STRV00210) are not isolated, an isolated Modbus Repeater Module needs to be inserted between the Modbus network inside the equipment and the Modbus network outside the equipment.

Table 80: Catalog Number

Description	Catalog No.
Isolated Modbus Repeater Module	STRV00211



UST Test Adapter (UTA) Tester for Test and Maintenance



UTA Tester Module

The UTA Tester includes:

- configuration and maintenance module
- power supply (110–220 Vac / 50-60 Hz 24 Vdc - 1 A)
- special Micrologic cable for connection to the trip-unit test connector
- standard USB cable
- standard RJ45 cable
- user manual

Table 81: UTA Tester Catalog Numbers

Description	Catalog No.
UTA Tester (complete)	STRV00910
Spare 110-240 V power supply	TRV00915
Spare Micrologic cable	TRV00917
Spare UTA Tester Module	STRV00911
Bluetooth/Modbus Option for UTA Tester	TCSWAAC13FB

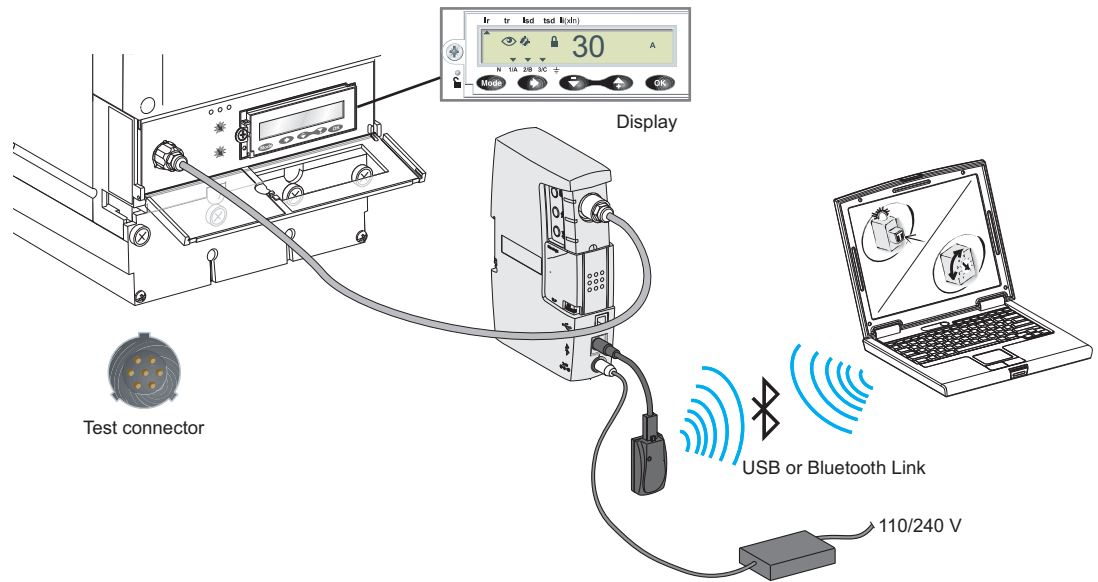
Included in the UTA Tester, the UTA Tester module tests Micrologic trip unit operation and provides access to all parameters and settings. It connects to the Micrologic trip unit test connector and can operate in two modes.

- Stand-alone mode to:
 - supply the Micrologic trip unit with power and check operation using the Ready LED
 - Provides ground-fault inhibit and thermal memory inhibit
- PC mode, connected to a PC with a USB or Bluetooth link. This mode provides access to protection settings, alarm settings and readings of all indicators. Using the associated RSU software utility, it is possible to store, in a dedicated file for each device, all the data that can be transferred to another device.

This mode also offers operating-test functions:

 - check on trip time delay (trip curve)
 - check on non-tripping time (coordination)
 - check on ZSI (Zone Selective Interlocking) function
 - alarm simulation
 - display of setting curves
 - display of currents
 - printing of test reports
 - optional Bluetooth link (to PC).

PowerPact H-, J-, and L-Frame Circuit Breakers Accessories for Micrologic™ Trip Units



Universal Logic Plug System



The Universal Logic Plug (ULP) system allows the PowerPact H-, J- and L-frame circuit breakers to become metering and supervision tools to assist for energy efficiency. For easy connection of the different modules, the prefabricated cables are identified by a ULP symbol. The connection points on compatible modules are marked in the same manner.

Table 82: ULP Accessories Catalog Numbers

Description	Qty	Catalog No.
RJ45 connectors, female/female	10	TRV00870
ULP Line termination	10	TRV00880
RJ45/RJ45 male cord L= 0.3 m	10	TRV00803
RJ45/RJ45 male cord L= 0.6 m	10	TRV00806
RJ45/RJ45 male cord L = 1 m	5	TRV00810
RJ45/RJ45 male cord L = 2 m	5	TRV00820
RJ45/RJ45 male cord L = 3 m	5	TRV00830
RJ45/RJ45 male cord L = 5 m	1	TRV00850
Modbus Line Terminations	2	VW3A8306DRC

For more information about the ULP System, see bulletin 48940-329-01, *ULP (Universal Logic Plug) Connection System—User Guide*.

External Neutral Current Transformer (ENCT)



External neutral current transformer

The external neutral current transformer is a sensor required for a three-pole circuit breaker in a system with a distributed neutral to measure the neutral current in order to:

- protect the neutral conductor
- protect against ground faults.

This current transformer can be connected to Micrologic 5/6 trip units. The transformer rating must be compatible with that of the circuit breaker.

Table 83: Current Transformers

Circuit Breaker	Rating	Catalog No.
H-Frame	60–100 A	S429521
	150 A	S430562
J-Frame	250 A	S430563
L-Frame	400–600 A	S432575

For installation recommendations, see page 155.



External Neutral Voltage Tap

External Neutral Voltage Tap (ENVT)

The external neutral voltage tap is required for Micrologic E power metering with a three-pole circuit breaker in a system with a distributed neutral. It is used to connect the neutral to the Micrologic trip unit to measure phase-to-neutral (Ph-N) voltages.

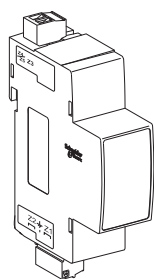
The ENVT is included with the Micrologic 5/6 electronic trip unit.

Zone Selective Interlock (ZSI) Module

A ZSI terminal block may be used to interconnect a number of Micrologic trip units to provide zone selective interlocking for short-time (I_{sd}) and ground-fault (I_g) protection, without a time delay. For PowerPact H- and J-frame circuit breakers, the ZSI function is available only in relation to the upstream circuit breaker (ZSI out). For PowerPact L-frame circuit breakers, the ZSI function is available in relation to the upstream circuit breaker (ZSI out) and downstream circuit breakers (ZSI in).

Table 84: ZSI Catalog Number

Description	Catalog No.
ZSI Module	S434212



PowerPact H-, J-, and L-Frame Circuit Breakers

Accessories for Micrologic™ Trip Units

I-Line™ Wiring Harness

Accessories installed in I-Line circuit breakers require the use of optional wiring harnesses (not provided). The wiring harness allows the accessory wiring to exit the circuit breaker through wiring channels in the side of the circuit breakers. Wire harnesses may also be used for unit-mount applications.

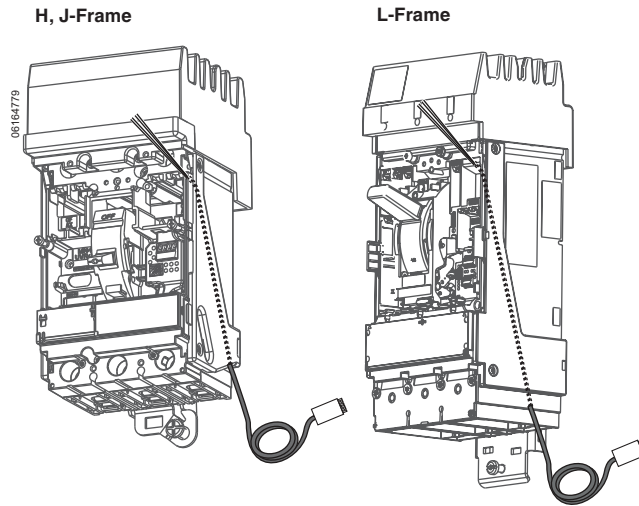


Table 85: Wiring Harness Catalog Numbers

Description	Catalog No.
Auxiliary Switch (OF) I-Line Wire Harness	S434500
Alarm Switch (SD)/Overcurrent Trip Switch (SDE) I-Line Wire Harness	S434501
SDx/SDTAM I-Line Wire Harness	S434502
Undervoltage Trip (MN) I-Line Wire Harness	S434503
Shunt Trip (MX) I-Line Wire Harness	S434504
24 Vdc Power Supply Terminal Block I-Line Wire Harness	S434505
Motor Operator (MT) I-Line Wire Harness	S434506
Communicating Motor Operator (MTc) I-Line Wire Harness	S434507
NSX Cord I-Line Wire Harness	S434508
ZSI (H/J-Frame, Out Only) I-Line Wire Harness	S434300
ZSI (L-Frame, In and Out) I-Line Wire Harness	S434301
ENCT I-Line Wire Harness	S434302

Section 9—Accessories and Auxiliaries

All PowerPact™ H-, J-, and L-frame circuit breakers and automatic switches have slots for the electrical auxiliaries .

H- and J-Frame

- 4 indication contacts
 - 2 ON/OFF (auxiliary switches [OF1 and OF2])
 - 1 trip indication (alarm switch [SD])
 - 1 fault-trip indication (overcurrent trip switch [SDE])
- one remote-tripping release
 - either 1 undervoltage trip (MN)
 - or 1 shunt trip (MX)

L-Frame

- 5 indication contacts
 - 3 ON/OFF auxiliary switches (OF1, OF2, and OF3)
 - 1 trip indication (alarm switch [SD])
 - 1 fault-trip indication (overcurrent trip switch [SDE])
- one remote-tripping release
 - either 1 undervoltage trip (MN)
 - or 1 shunt trip (MX)

Circuit breakers equipped with Micrologic™ trip units may be equipped with a fault-trip indication to identify the type of fault by installing

- one indication module with two outputs (see page 119)
 - either an SDx module with Micrologic 3.x / 5.x A or E / 6.x A or E
 - or an SDTAM module with Micrologic 2.x M.

This module occupies the slots of one auxiliary switch (OF) contact and an undervoltage trip (MN)/shunt trip (MX).

All these auxiliaries may be installed with a motor operator.

Communication Network

Communication networks require specific auxiliaries.

Communication of status indications:

- 1 BSCM module
- 1 NSX cord (internal terminal block) for both communication and 24 Vdc supply to the BSCM.

Communication of status conditions is compatible with a standard motor operator.

Communication of status indications and controls requires, in addition to the previous auxiliaries:

- 1 communicating motor operator connected to the BSCM.

Communication of measurements is available on Micrologic 5/6. The system consists of:

- 1 NSX cord (internal terminal block) for both communication and 24 Vdc supply to the Micrologic.

Communication of measurements is compatible with a standard or communicating motor operator.

Communication of status indications, controls and measurements is available on Micrologic 5/6. The system consists of:

- 1 BSCM module
- 1 NSX cord (internal terminal block) for both communication and 24 Vdc supply to the BSCM and the Micrologic
- 1 communicating motor operator connected to the BSCM.

Installation of SDx or SDTAM is compatible with communication network.

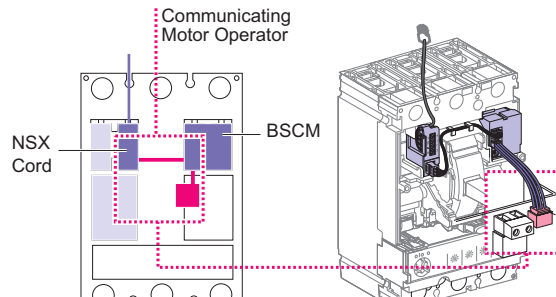
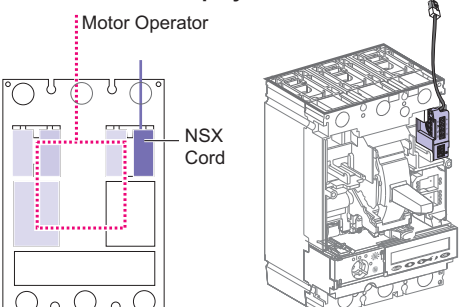
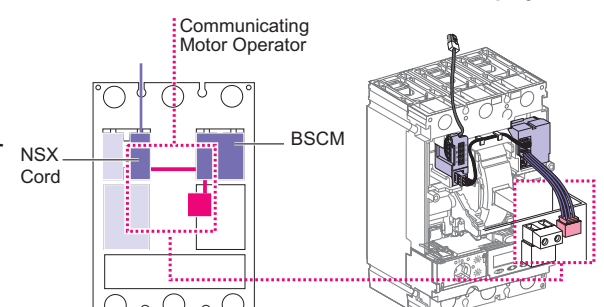
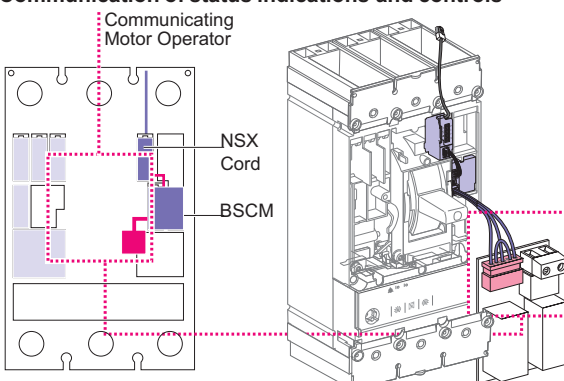
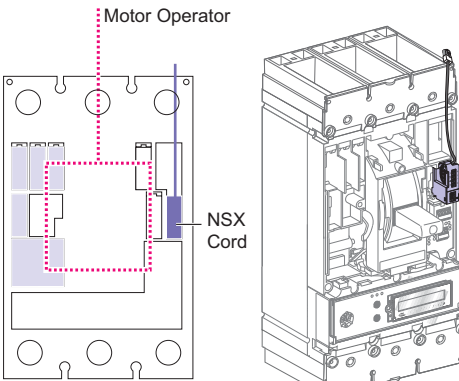
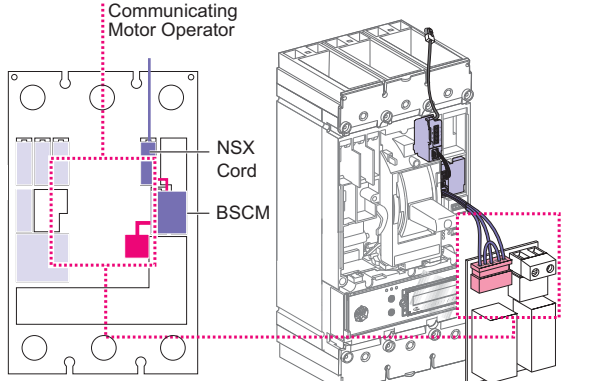
PowerPact H-, J-, and L-Frame Circuit Breakers Accessories and Auxiliaries

Table 86: Standard Auxiliary Possibilities Based on Trip Unit

Type	Trip Unit	Auxiliary Possibilities
H-Frame J-Frame	Micrologic 3	
H-Frame J-Frame	Micrologic 5 Micrologic 6	<p><i>The SDx or SDTAM uses the OF1 and MN/MX slots. External connection is made via a terminal block in the OF1 slot. The 24 Vdc supply provides for the Micrologic 5 / 6 display when the device is OFF or under low-load conditions.</i></p>
L-Frame	Micrologic 1.3 M Micrologic 3	
L-Frame	Micrologic 5 Micrologic 6	<p>NOTE: External connection is made using a terminal block in the reserved slot. The 24 V DC supply provides for the Micrologic 5 / 6 display when the device is OFF or under low-load conditions.</p>

PowerPact H-, J-, and L-Frame Circuit Breakers Accessories and Auxiliaries

Table 87: Communication Network Auxiliary Possibilities Based on Trip Unit

Type	Trip Unit	Auxiliary Possibilities
H-Frame J-Frame	Micrologic 3	<p style="text-align: center;">Communication of status indications and controls</p> 
H-Frame J-Frame	Micrologic 5 Micrologic 6	<div style="display: flex; justify-content: space-between;"> <div style="width: 45%;"> <p style="text-align: center;">Communication of measurements with or without FDM121 display</p>  </div> <div style="width: 10%; text-align: center;"> <p>OR</p> </div> <div style="width: 45%;"> <p style="text-align: center;">Communication of status indications, controls and measurements with or without FDM121 display</p>  </div> </div>
L-Frame	Micrologic 1.3 M Micrologic 3	<p style="text-align: center;">Communication of status indications and controls</p> 
L-Frame	Micrologic 5 Micrologic 6	<div style="display: flex; justify-content: space-between;"> <div style="width: 45%;"> <p style="text-align: center;">Communication of status indications</p>  </div> <div style="width: 10%; text-align: center;"> <p>OR</p> </div> <div style="width: 45%;"> <p style="text-align: center;">Communication of status indications, controls and measurements with or without FDM121 display</p>  </div> </div>

Accessory Connections

Electrical accessories are fitted with numbered terminal blocks for wires with the following maximum size:

- 16 AWG (1.5 mm²) for auxiliary switches (OF1 or OF2), and shunt trip (MX) or undervoltage trip (MN)
- 14 AWG (2.5 mm²) for the motor operator

Auxiliary switch wiring exits fixed mounted devices through a knock-out in the front cover.

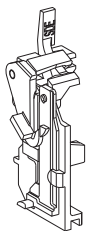
NOTE: See page 140 for plug-in and page 142 for drawout options.

Auxiliary and Alarm Indication Contacts

Auxiliary indication contacts provide remote information of the circuit breaker status and can thus be used for indications, electrical locking, relays, etc.



Auxiliary Switch (OF)/
Alarm Switch (SD)



Overcurrent Trip
Switch Actuator (SDE)

Table 88: Auxiliary and Alarm Indication Contacts

	<p>Open/Closed—Auxiliary Switches (OF)</p> <ul style="list-style-type: none"> • Indicates the position of the circuit breaker contacts <p>Trip Indication—Alarm Switch (SD)</p> <ul style="list-style-type: none"> • Indicates that the circuit breaker has tripped due to an overload, short circuit or ground fault, the operation of a shunt trip or undervoltage trip or the “push-to-trip” button • Resets when the circuit breaker is reset <p>Overcurrent Trip Switch (SDE)</p> <ul style="list-style-type: none"> • Indicates that the circuit breaker has tripped due to an overload, short circuit or ground fault • Resets when the circuit breaker is reset <p>The above switches are also available in low-level versions (with gold flash plating) capable of switching very low loads (e.g., for controlling PLCs or electronic circuits)</p> <p>Rotary Handle Indicator: CAO (early-break) and CAF (early-make)</p> <ul style="list-style-type: none"> • Fitted in the rotary handle module (see page 127)
Applications	
Installation & Connection	<ul style="list-style-type: none"> • The auxiliary switch (OF), alarm switch (SD), and overcurrent trip switch (SDE) indication contacts snap into cavities behind the front accessory cover of the circuit breaker. • One model serves for all indication functions depending on where it is fitted in the circuit breaker. • The overcurrent trip switch (SDE) in a circuit breaker equipped with a thermal-magnetic or Micrologic 1/2/3 trip unit requires the SDE actuator.
Standards	<ul style="list-style-type: none"> • The internal accessories comply with requirements of Underwriters Laboratories® Inc. (UL®). • UL 489 and Canadian Standard Association C22.2 No. 5-02 Standards. • All internal accessories are Listed for field installation per UL file E103955 and Certified under CSA file LR 69561. • Auxiliary indicator contacts comply with UL 489, CSA C22.2 No. 5-02 and IEC 60947-5 Standards. “Low-level” indicator contacts are not UL Recognized.

Table 89: Electrical Characteristics

Characteristic	Standard		Low-Level ¹	
	AC	DC	AC	DC
Supplied as Standard (Form C)	4		4	
Maximum Number of Contacts	4		4	
Rated Thermal Current	6 A		5 A	
Minimum Load	100 mA at 24 V		1 mA at 4 V	
Operational Current	AC	DC	AC	DC
24 V	6 A	6 A	5 A	5 A
48 V	6 A	2.5 A	5 A	2.5 A
110 V	6 A	0.6 A	5 A	0.6
220/240 V	6 A	—	5 A	—
250 V	—	0.6 A	5 A	0.3 A
380/440 V	6 A	—	5 A	—
480 V	6 A	—	5 A	—
660/690 V	6 A	—	—	—

¹ If the maximum voltage and current is exceeded, the low-level function of the switch will be lost but the switch will continue to function as a standard switch.

PowerPact H-, J-, and L-Frame Circuit Breakers Accessories and Auxiliaries

Table 90: Auxiliary Switch Catalog Numbers

Contacts	Factory-Installed Suffix	Field-Installable Kit No.	Kit Qty.
1A/1B Standard	AA	S29450	1
2A/2B Standard	AB	S29450	2
1A/1B Low-Level (Gold)	AE	S29452	1
2A/2B Low-Level (Gold)	AF	S29452	2

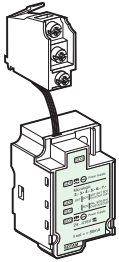
Table 91: Alarm/Overcurrent Trip Switch Catalog Numbers

Suffix	Switch	Kit No.	Kit Qty.
PowerPact L-Frame			
PowerPact H/J-Frame with Micrologic 5/6 trip units			
BC	Alarm Switch	S29450	1
BH	Alarm Switch Low-Level	S29452	1
BD	Overcurrent Trip Switch Standard	S29450	1
BJ	Overcurrent Trip Switch Low-Level	S29452	1
BE	Alarm Switch and Overcurrent Trip Switch, Standard	S29450	2
BK	Alarm Switch and Overcurrent Trip Switch, Low-Level	S29452	2
PowerPact H/J-Frame with Thermal-Magnetic or Micrologic 1/2/3 trip units			
BC	Alarm Switch	S29450	1
BH	Alarm Switch, Low-Level	S29452	1
BD	Overcurrent Trip Switch, Standard SDE Actuator	S29450	1
		S29451	1
BJ	Overcurrent Trip Switch, Low-Level SDE Actuator	S29452	1
		S29451	1
BE	Alarm Switch and Overcurrent Trip Switch, Standard SDE Actuators	S29450	2
		S29451	2
BK	Alarm Switch and Overcurrent Trip Switch, Low-Level SDE Actuators	S29452	2
		S29451	2

SDx and SDTAM Modules for Micrologic Trip Units

SDx and SDTAM are relay modules with two outputs. They send different signals depending on the type of fault. They may not be used together.

SDx Module



SDx module with terminal block.

The SDx module remotely monitors the trip or alarm conditions of PowerPact H-, J-, and L-frame circuit breakers equipped with electronic protection.

An SDx relay module installed inside the circuit breaker can be used to remote the overload trip signal.

This module receives the signal from the Micrologic electronic trip unit through an optical link and makes it available on the terminal block. The signal is cleared when the circuit breaker is closed. These outputs can be reprogrammed to be assigned to other types of tripping or alarm.

The SDx module may be used in 400 Hz systems for voltages from 24 to 440 V.

The SD2 output, available on all Micrologic trip units, corresponds to the overload-trip indication.

The SD4 output, available on Micrologic 5/6, is assigned to:

- overload pre-alarm (Micrologic 5)
- ground-fault trip indication (Micrologic 6)

These two outputs automatically reset when the device is closed (turned ON).

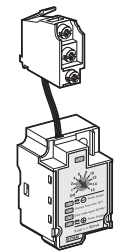
For Micrologic 5/6, the SD2 and SD4 outputs can be reprogrammed to be assigned to other types of tripping or alarm.

It is possible to assign a function output characteristics:

- latching with a time delay. Return to the initial state occurs at the end of the time delay
- permanent latching. Return to the initial state takes place through the communication function.

Static outputs: 24–415 Vac / Vdc; 80 mA max.

SDTAM Module



SDTAM module with terminal block.

The SDTAM module, linked to the contactor controller, opens the contactor when an overload or other motor fault occurs, thus avoiding opening of the circuit breaker. The SDTAM module is specifically for the motor-protection Micrologic trip units 2 M (2.2 M and 2.3 M).

Micrologic 2 M

The SD4 output opens the contactor 400 ms before normal circuit-breaker opening in the following cases:

- overload (long-time protection for the trip class)
- phase unbalance or phase loss

The SD2 output serves to memorize contactor opening by SDTAM.

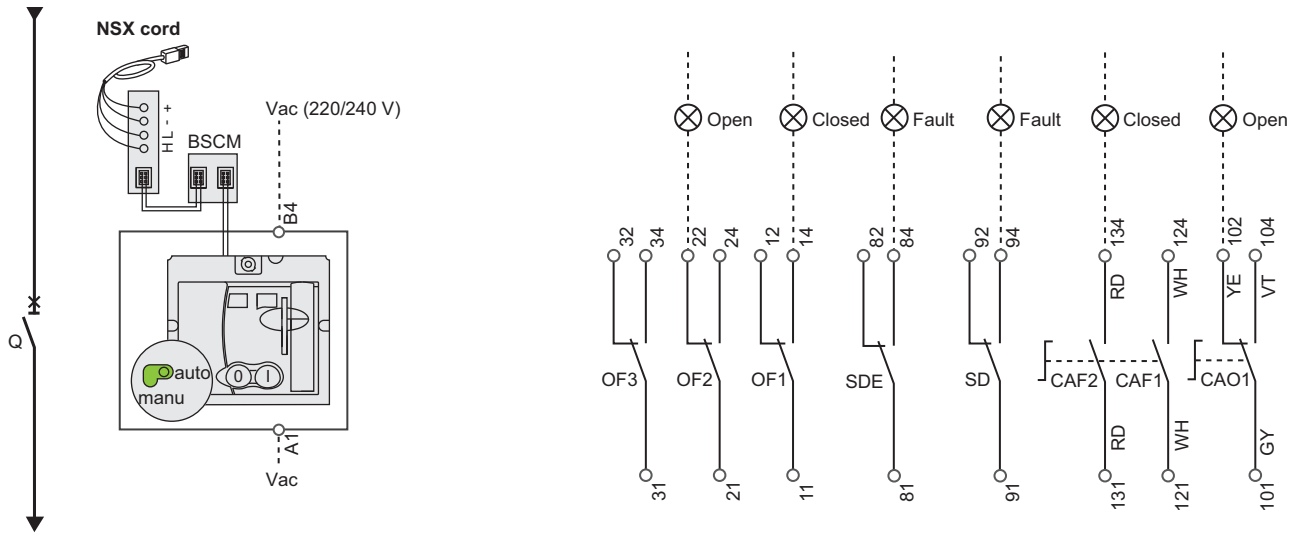
Output characteristics

Output reset can be:

- manual by a pushbutton included in the wiring diagram
- automatic after an adjustable time delay (1 to 15 minutes) to take into account the motor-cooling time

Static outputs: 24–415 Vac / Vdc; 80 mA max. a (+) 24–415 V.

PowerPact H-, J-, and L-Frame Circuit Breakers Accessories and Auxiliaries



NOTE: Schematic of the communicating motor operator .

Table 92: SDx and SDTAM Catalog Numbers

Contacts	Factory-Installed Suffix	Field-Installable Kit No.
SDx	V	S429532
SDTAM (motor trip units only)	V	S429424

Shunt Trip (MX) and Undervoltage Trip (MN)



A voltage release can be used to trip the circuit breaker using a control signal.

Table 93: Shunt Trip and Undervoltage Trip

Applications	Shunt Trip (MX)
	<ul style="list-style-type: none"> Trips the circuit breaker when the control voltage rises above 70% of its rated voltage Impulse type ≥ 20 ms or maintained control signals AC shunt trips are suitable for ground-fault protection when combined with a Class I ground-fault sensing element Continuous duty rated coil
Installation and Connection	Undervoltage Trip (MN)
	<ul style="list-style-type: none"> Trips the circuit breaker when the control voltage drops below a tripping threshold Drops out between 35% and 70% of the rated voltage Continuous duty rated coil Circuit breaker closing is possible only if the voltage exceeds 85% of the rated voltage. If an undervoltage condition exists, operation of the closing mechanism of the circuit breaker will not permit the main contacts to touch, even momentarily. This is commonly called "Kiss Free".
Operation	<ul style="list-style-type: none"> Accessories are common to H-, J-, and L-frame circuit breakers and snap into cavities under the front accessory cover of the circuit breaker Each terminal may be connected by one 18–14 AWG (1.0–2.5 mm²) stranded copper wire
	<ul style="list-style-type: none"> The circuit breaker must be reset locally after being tripped by shunt trip (MX) or undervoltage trip (MN) Tripping by the shunt trip or undervoltage trip has priority over manual (or motor operator) closing; in the presence of a standing trip order such an action does not result in any closing, even temporarily, of the main contacts Endurance: 50% of the rated mechanical endurance of the circuit breaker

Table 94: Electrical Characteristics

	AC	DC
Rated Voltage (V)	24, 48, 120, 208/277, 380/480, 525, 600	12, 24, 30, 48, 60, 125, 250
Power Requirements	Pickup (shunt trip)	< 5 W
	Seal-in (undervoltage trip)	< 5 VA
Clearing Time (ms)	< 50	< 50

Table 95: Shunt Trip and Undervoltage Trip Suffix Codes and Kit Numbers

Voltage	Shunt Trip (MX)		Undervoltage Release (MN)	
	Factory-Installed Suffix	Field-Installable Kit No.	Factory-Installed Suffix	Field-Installable Kit No.
24 Vac	SK	S29384	UK	S29404
48 Vac	SL	S29385	UL	S29405
120 Vac	SA	S29386	UA	S29406
208/277 Vac	SD	S29387	UD	S29407
380/480 Vac	SH	S29388	UH	S29408
525/600 Vac	SJ	S29389	UJ	S29409
12 Vdc	SN	S29382	UN	S29402
24 Vdc	SO	S29390	UO	S29410
30 Vdc	SU	S29391	UU	S29411
48 Vdc	SP	S29392	UP	S29412
60 Vdc	SV	S29383	UV	S29403
125 Vdc	SR	S29393	UR	S29413
250 Vdc	SS	S29394	US	S29414

Table 96: Adjustable and Fixed Time Delay Units for Undervoltage Trip

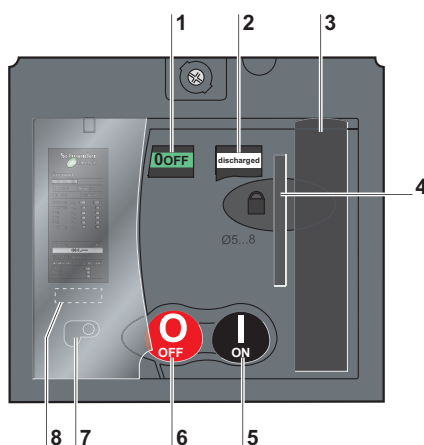
Rated Input Voltage	Field-Installable Kit No.		Use Only with These Undervoltage Releases (MN)
	Adjustable	Fixed	
48 Vac/dc	S33680	S29426	S29412
100/130 Vac/dc	S33681	—	S29413
220/250 Vac/dc	S33682	S29427	S29414

Motor Operator



The motor operator remotely operates the circuit breaker featuring easy and sure operation:

- All circuit breaker indications and information remain visible and accessible, including trip unit settings and circuit breaker connection
- Suitability for isolation is maintained and padlocking remains possible
- Double insulation front face



1. Contact position indicator (suitability for isolation)
2. Spring status indicator (charged, discharged)
3. Manual spring-charging handle
4. Keylock device
Locking device (off position) using one to three padlocks, diameter 0.2–0.32 in. (5–8 mm), not supplied
5. ON push button
6. OFF push button
7. Manual/auto mode selection switch; the position of the switch can be indicated remotely
8. Operation counter

Applications:

- Local motor-driven operation, centralized operation, automatic distribution control
- Normal/standby manual transfer or switching to a replacement source to optimize energy costs
- Load shedding and reconnection to optimize energy costs
- Less than five cycle closing time for source synchronization

Installation and Connection

- All installations are available for H- and J-frame circuit breakers.
All installations are available for L-frame circuit breakers except I-Line
- Connections of the motor operator module are to a built-in terminal block behind its front cover
- Stranded copper wire 14 AWG (2.5 mm²)

Automatic Operation

The motor operator is connected in series with the overcurrent trip switch (SDE).

- ON and OFF by two impulse type or continuous control signals
- Depending on the wiring, resetting can be done locally, remotely or automatically
- Mandatory manual reset following tripping due to an electrical fault (with overcurrent trip switch)

Manual Operation

- Transfer to manual mode with possibility of remote mode indication
- ON and OFF by two push buttons
- Recharging of stored-energy system by pumping the lever
- Padlocking in off position

PowerPact H-, J-, and L-Frame Circuit Breakers Accessories and Auxiliaries

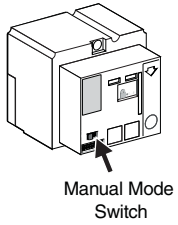


Table 97: Motor Operator Characteristics

Response Time (ms)	Opening	< 600	
	Closing	< 80	
Operating Frequency	cycles/minute max.	4	
Power Requirements ¹	AC (VA)	Opening	≤500
		Closing	≤500
	DC (W)	Opening	≤500
		Closing	≤500

¹ For H- and J-frame, the inrush current is 2x operating current for 10 ms.

Table 98: Motor Operator and Accessory Suffix Codes and Catalog Numbers

Device ¹	Control Voltage	Factory-Installed Suffix	Field-Installable Kit No.		
			H-Frame	J-Frame	L-Frame
Communicating Motor Operator	220/240 Vac 50/60 Hz	NC	S429441	S431549	S432652
Motor Operator	48/60 Vac 50/60 Hz	ML	S29440	S31548	S432639
	110/130 Vac 50/60 Hz	MA	S29433	S31540	S432640
	208/277 Vac 60 Hz	MD	S29434	S31541	S432641
	380/415 Vac 50/60 Hz	MF	—	—	S432642
	440/480 Vac 60 Hz	MH	S29435	S31542	S432647
	24/30 Vdc	MO	S29436	S31543	S432643
	48/60 Vdc	MV	S29437	S31544	S432644
	110/130 Vdc	MR	S29438	S31545	S432645
	250 Vdc	MS	S29439	S31546	S432646
Lock Mounting Hardware	—	—	—	—	S32649
Ronis® Lock	—	—	S41940	S41940	S41940
Profalux® Lock	—	—	S42888	S42888	S42888
Mounting Hardware with Ronis Lock	—	—	S429449	S429449	—
Operations Counter	—	—	—	—	S32648
Adapter for I-Line Circuit Breaker	—	—	S37420	S37420	—

¹ For NSX cord (communication suffixes EA, EB, ED, and EE) any motor operator may be selected.
For BSCM + NSX cord (communication suffixes EB, EH, EK, and EL) only the communicating motor operator may be selected.

Add-On Ground-Fault Module (GFM) (H- and J-Frame Only)

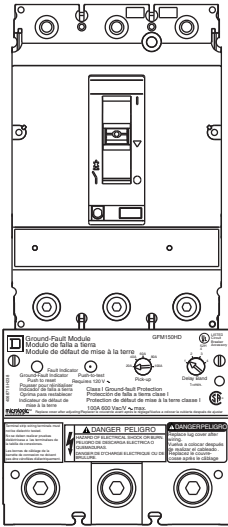
The Micrologic Ground-Fault Module (GFM) is a UL Listed/CSA Certified circuit breaker accessory which protects equipment from damage caused by ground faults. It is an add-on module which, when connected to a PowerPact H- or J-frame thermal-magnetic circuit breaker only, provides ground-fault sensing and ground-fault relay functions.

HD/JD ground-fault modules feature:

- Adjustable ground-fault pickup levels
- Adjustable ground-fault time delays
- Integral ground-fault push-to-test feature
- Ground-fault indicator (mechanical for local, contacts for remote)
- All GFMs are supplied for I-Line™ mounting as standard, easily convertible to unit mount by removing the I-Line bracket.
- Fault-powered (through the sensing current transformer) for electronics, shunt trip, and integral test feature. Meets NEC 230.95(C).
- A 12 Vdc shunt trip module (Catalog No. S29382) is required in the circuit breaker. This may be field installed or factory installed when the circuit breaker is ordered with an -SN suffix.
- UL 1053 – Ground-fault Sensing and Relaying Equipment

The GFM system requires the following:

- H-frame (15–150 A) or J-frame (150–250 A) molded case circuit breaker
- Shunt trip for circuit breaker (may be factory-installed or field-installed)
- Bus bar connection (terminal nut inserts) for OFF end of circuit breaker
- Optional neutral current transformer, catalog number GFM25CT (must be ordered for 4-wire applications).



J-Frame Circuit Breaker
with GFM Installed

Table 99: Ground-Fault Module

Catalog No.	Rating	Sensitivity	Time Delay (Approximate)
GFM150HD	150 A	20, 40, 60, 80, 100 A	0.2, 0.3, 0.4, 0.6 sec
GFM250JD	250 A	40, 80, 120, 160, 200 A	0.2, 0.3, 0.4, 0.6 sec

PowerPact H-, J-, and L-Frame Circuit Breakers Accessories and Auxiliaries

Earth Leakage Module (ELM) (H- and J-Frame Only)



J-Frame Circuit Breaker
with ELM Installed

The Earth Leakage Module (ELM) is an add-on module which, when connected to a PowerPact H- or J-frame MCCB, provides low-level ground-fault sensing and ground-fault relay functions.

Because these ELMs are highly sensitive (30 mA to 3 A), they provide much greater protection than GFMs (20 to 200 amperes sensitivity). The ELMs provide greater protection of control circuits and other sensitive equipment. The associated circuit breaker must have a 48 Vdc shunt trip, which may be field-installed (kit S29392) or factory-installed (suffix –SP) in the H- or J-frame circuit breaker.

The add-on Earth Leakage Module (ELM) features:

- Adjustable ground-fault pickup levels as low as 30 mA
- Adjustable ground-fault time delays from instantaneous to 500 msec (time delay can be applied to any setting)
- Integral ground fault push-to-test feature
- Ground-fault indicator; pop-up button for local status and contacts for remote indication (to be used only with the tripping option)
- All ELMs are supplied for I-Line mounting and are easily convertible to unit-mount by removing the I-Line mounting feet
- Three poles; 240 to 600 Vac maximum: 3-phase, 3-wire (no neutral) and 1-phase, 2-wire applications
- Line-power obtained through internal bus to provide power for electronics, shunt trip, and integral test feature
- A shunt trip is required in the circuit breaker; it may be field-installed or factory-installed in the PowerPact H and J circuit breakers.
- UL 1053—Ground-fault Sensing and Relaying Equipment

Table 100: ELM Selection Chart ¹

Companion Circuit Breaker		Enclosure Space Required I-Line Equipment	Catalog No.	Pick-Up Adjustments	Ground-Fault Time Delay Adjustments
Prefix	Size				
HD, HG, HJ, HL	15–150 A	LA	ELM150HD	30 mA 100 mA 300 mA	Instantaneous 60 ms 100 ms
JD, JG, JJ, JL	150–250 A	LA	ELM250JD	1 A 3 A	500 msec

¹ At 250 A, the ELM250JD can be used with standard (80%) rated circuit breakers only.

Factory-Installed ELMs

The catalog number for circuit breakers with factory-installed ELM should include the special suffixes SP and VL or VM:

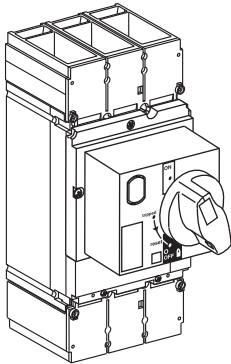
H D M 3 6 150 SP VL

where

- H = H-frame (or J = J-frame)
- D = D interruption level (or G, J or L)
- M = Lugs on ON end and terminal nuts on OFF end (required)
- SP = Factory-installed 48 Vdc shunt trip (S29392, required)
- VL = Earth Leakage Module (ELM) <150 A (H-frame) or
VM = Earth Leakage Module (ELM) <250 A (J-frame)

Rotary Operating Handles

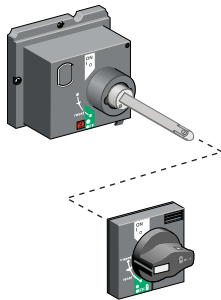
Directly Mounted Rotary Operating Handles



Directly Mounted Rotary Operating Handle

Installation	The directly mounted rotary operating handle replaces the circuit breaker front accessory cover (secured by screws).	
Operation	<p>The direct rotary handle maintains:</p> <ul style="list-style-type: none"> • Suitability for isolation • Indication of three positions: I (ON), Tripped and O (OFF) • Access to the “push-to-trip” button • Visibility of, and access to, trip unit settings • The circuit breaker may be locked in the OFF position by using one to three padlocks (not supplied) 	
Models	<ul style="list-style-type: none"> • Standard with black handle • VDE type with red handle and yellow bezel for machine tool control 	
Variations	<p>Accessories transform the standard direct rotary handle for the following situations:</p> <ul style="list-style-type: none"> • Motor control centers (MCCs): <ul style="list-style-type: none"> – Opening of door prevented when circuit breaker is on – Closing of circuit breaker inhibited when door is open • Machine tool control; complies with CNOMO E03.81.501N; degree of protection IP54 • Early make or early break contacts may be installed into direct mount rotary handle 	
Standards	The directly-mounted rotary operating handle is UL Listed under file E103955 and CSA Certified under file LR 69561	

Door-Mounted (Extended) Rotary Operating Handle



Door Mounted Rotary Operating Handle

Installation	<p>The door-mounted (extended) rotary operating handle is made up of:</p> <ul style="list-style-type: none"> • A unit that replaces the front accessory cover of the circuit breaker (secured by screws) • An assembly (handle and front plate) on the door that is always secured in the same position, whether the circuit breaker is installed vertically or horizontally • An adjustable extension shaft • The handle mechanism can be used in NEMA 3R and 12 enclosure applications 	
Operation	<p>The door mounted operating handle makes it possible to operate a circuit breaker installed in an enclosure with the enclosure door closed. The door mounted operating handle maintains:</p> <ul style="list-style-type: none"> • Suitability for isolation • Indication of the three positions OFF (O), ON (I) and tripped • Visibility of and access to trip unit settings when the door is open • Degree of protection: IP40 as per IEC 529 <p>Defeatable interlock prevents opening of door when circuit breaker is on</p> <p>The circuit breaker may be locked in the off position by using one to three padlocks, padlock shackle diameter 0.19–0.31 in. (5–8 mm); padlocks are not supplied; locking prevents opening of the enclosure door</p>	
Shaft Length	<p>The shaft length is the distance between the back of the circuit breaker and the door:</p> <ul style="list-style-type: none"> • Minimum shaft length is 7.4 in. (185 mm) • Maximum shaft length is 24 in. (600 mm) • Extended shaft length must be adjusted 	
Models	<ul style="list-style-type: none"> • Standard with black handle • VDE type with red handle and yellow bezel for machine tool control 	
Variations	For drawout configurations, the extended rotary handle is also available with a telescopic shaft containing two stable positions	
Standards	The door-mounted rotary operating handle is UL Listed under file E103955 and CSA Certified under file LR 69561	

PowerPact H-, J-, and L-Frame Circuit Breakers Accessories and Auxiliaries

Table 101: Rotary Operated Handles

Device		Description	H- and J-Frame ¹		L-Frame	
			Factory Installed Suffix	Field Installable Kit No.	Factory Installed Suffix	Field Installable Kit No.
Direct Mounted	Standard Handle Black	Handle only	RD10	S29337	RD10	S32597
	Standard Black Handle with	One early-break switch	RD12	S29337 + S29345	RD12	S32597 + S32605
		Two early-make switches	RD13	S29337 + S29346	RD13	S32597 + S29346
	Red handle on yellow bezel	Handle Only	RD20	S29339	RD20	S32599
		One early-break switch	RD22	S29339 + S29345	RD22	S32599 + S32605
		Two early-make switches	RD23	S29339 + S29346	RD23	S32599 + S29346
	MCC Conversion Accessory		—	S429341	—	S32606
CNOMO Conversion Accessory		—	S29342	—	S32602	
Door Mounted	Standard black handle	Handle Only	RE10	S29338	RE10	S32598
	Standard Black Handle with:	Two early make switches	RE13	S29338 + S29345	RE13	S32598 + S32605
	Red handle on yellow bezel	Handle Only	RE20	S29340	RE20	S32600
Telescoping			RT10	S29343	RT10	S32603
Accessories	Key lock adapter		—	S429344	—	S32604
	Key locks	Ronis 1351.500	—	S41940	—	S41940
		Profalux KS5 B24 D4Z	—	S42888	—	S42888
		2 Ronis keylocks with 1 key	—	S41950	—	S41950
		2 Profalux keylocks with 1 key	—	S42878	—	S42878
	Indication Auxiliary Switch	One early-break switch	—	S29345	—	S32605
		Two early-make switches	—	S29346	—	S29346

¹ Not available in H-frame two-pole modules.

Class 9421 NEMA Door Mounted Rotary Operating Handles



Installation	<p>The extended rotary operating handle is made up of:</p> <ul style="list-style-type: none"> • A mounting plate that provides a rotary actuator for a standard toggle circuit breaker • Handle assemblies available for NEMA 3, 3R, 4, and 4X • Available in standard or short (3 in.) handle assemblies
Operation	<p>The door mounted operating handle makes it possible to operate a circuit breaker installed in an enclosure with the enclosure door closed.</p> <p>Provides ON (I) and OFF (O) indication</p> <p>The circuit breaker may be locked in the off position</p>
Shaft Length	<p>The shaft length is the distance between the back of the circuit breaker and the door:</p> <ul style="list-style-type: none"> • Minimum mounting depth is 5.5 in. (138 mm) • Maximum mounting depth is 10.75 in. (273 mm) with standard shaft • Maximum mounting depth is 21.3 in. (543 mm) with long shaft

H- and J-Frame Class 9421 Door-Mounted Operating Mechanism

Description	Catalog No.
Standard Shaft Kit	9421LJ1
Long Shaft Kit	9421LJ4

PowerPact H-, J-, and L-Frame Circuit Breakers Accessories and Auxiliaries

Table 102: H- and J-Frame Component Parts

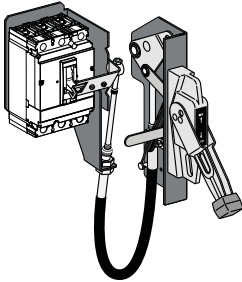
Description		Catalog No.
Standard Handle Assembly	Type 1, 3R, 12	9421LH6
	NEMA Type 3 and 4, Painted	9421LH46
	NEMA Type 3 and 4, Chrome Plated	9421LC46
Operating Mechanism	Includes Lockout	9421LJ7
Standard Shaft	Support Bracket Not Required	9421LS8
Long Shaft	Support Bracket Included	9421LS13

Table 103: L-Frame NEMA Door-Mounted Rotary Operated Handles

Handle Type	Poles	Operating Mechanism Included in Kit	Mounting Depth Min–Max	Kit Number
Painted 6 in.	3	9421LS8 and 9421LC46	7-1/4 to 12-1/16 in. (184 to 306 mm)	9421LD1
		9421LS13 and 9421LH46	7-1/4 to 22-5/8 in. (184 to 575 mm)	9421LD4

Class 9422 Cable Operating Handle

Flange-mounted handle cable operating mechanism is for use with Class 9422 Type A handle operators especially designed for tall, deep enclosures where placement flexibility is required.



Applications	<ul style="list-style-type: none"> The cable operator maintains: <ul style="list-style-type: none"> Suitability for isolation Indication of three positions: O (OFF), I (ON) and tripped Access to push-to-test The circuit breaker may be locked in the off position by one to three padlocks Door can be locked closed due to interlocking features of the handle operator
Installation	<ul style="list-style-type: none"> Handle is mounted on flange of enclosure using specified mounting dimensions while circuit breaker and operating mechanism are mounted to inside of enclosure using two screws Cable lengths available in 3-, 5- or 10-foot lengths to accommodate a variety of mounting locations Handles are available in painted NEMA 1, 3, 3R, 4 (sheet steel) and 12 ratings or chrome (NEMA 4, 4X)

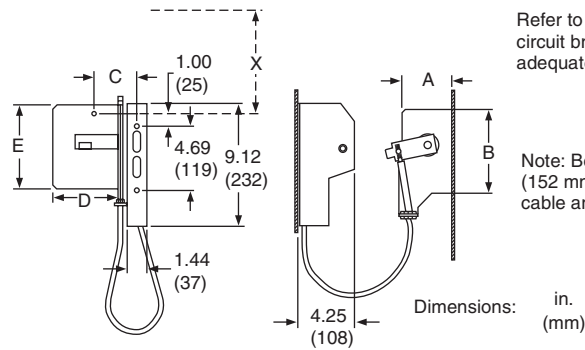
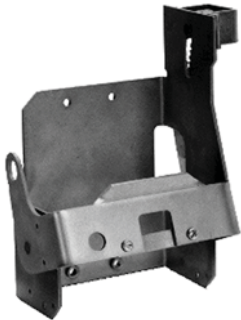


Table 104: Class 9422 Cable Operating Mechanisms and A1 Handles

Description	H- and J-Frame Kit Number	L-Frame Kit Number
Cable Mechanism Length	36 in. (914 mm)	9422CSF30
	60 in. (1524 mm)	9422CSF50
	84 in. (2134 mm)	9422CSF70
	120 in. (3048 mm)	9422CSF10
A1 painted flange handle	—	9422A1
Operating Mechanism Only	—	9422RSI

PowerPact H-, J-, and L-Frame Circuit Breakers Accessories and Auxiliaries

Class 9422 Flange-Mounted Variable-Depth Operating Mechanism



Threaded-rod flange-mounted variable depth operating mechanism

Designed for installation in custom built control enclosures where main or branch circuit protective devices are required.

- All circuit breaker operating mechanisms are suitable for either right- or left-hand flange mounting, convertible on the job.
- H- and J-frame variable mounting depth range: 5.88–17.75 in. (149–451 mm).
- H- and J-frame operating mechanism 9422RQ1 does not include handle mechanism.

Designed for installation in custom-built control enclosures where main or branch circuit protective devices are required. All circuit breaker operating mechanisms are suitable for either right- or left-hand flange mounting, convertible in the field.

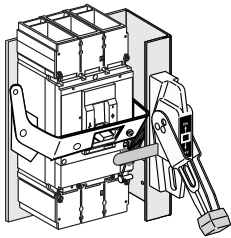


Table 105: L-Frame Flange-Mounted Operating Mechanism

Description	Depth	Kit Number
Variable Depth Mechanism	9.00–17.75 in. (229–451 mm)	9422RSI

Locking Systems

Padlocking systems can receive up to three padlocks with diameters of 0.19–0.31 in. (5–8 mm); padlocks not supplied.

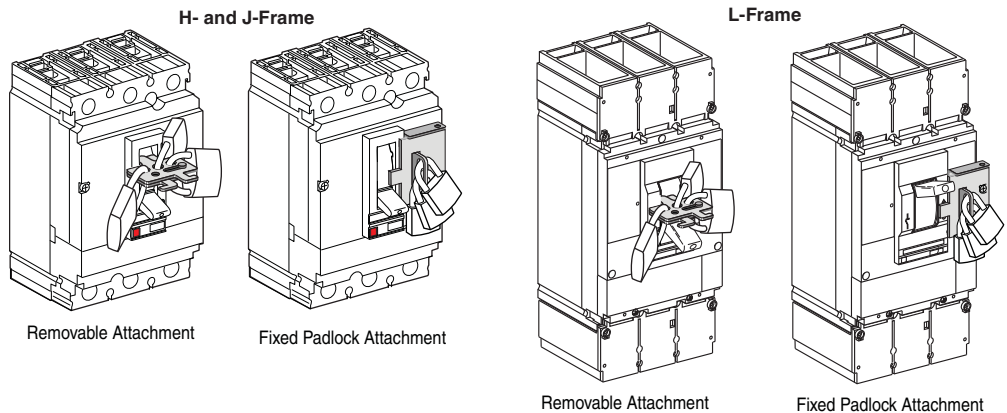


Table 106: Device Locking, Interlocking Options

Device	Description	Field-Installed Cat. No.	
		H- and J-Frame	L-Frame
Handle Padlocking Device ¹	Removable (lock OFF only)	S29370	S29370
	Fixed (lock OFF or ON)	S29371	S32631
	Fixed (lock OFF only) ²	S37422	NJPAF
Key Locking	Provision and 2 locks keyed alike	Ronis	S41950
		Profalux	S42878

¹ Rotary handles and motor operators have integral padlocking capability.

² Not available in HD or HG two-pole modules.

Manual Mechanical Interlocking Systems

Some installations use two power supply sources to counter any temporary loss in the main supply. A mechanical interlocking system is required to safely switch between the two sources. The replacement source can be a generator set or another network.

Managing multiple power sources can be controlled manually by mechanical interlocks.

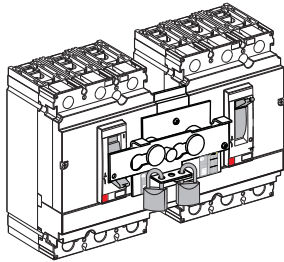
The mechanical interlocking system is made up of:

- two H-, J-, or L-frame devices (circuit breakers or switches) controlled manually
- mechanical interlocking, which prevents handle movement from the OFF position while the other device is in the ON position.

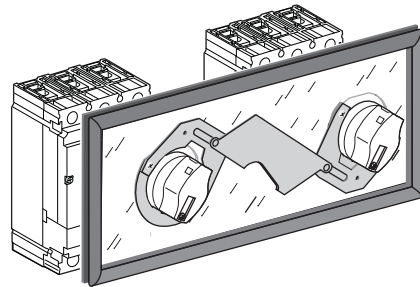
Since it is controlled manually by a maintenance technician, switchover time from the normal source to the replacement source can vary.

Figure 9: Interlocking Systems

H- and J-Frame

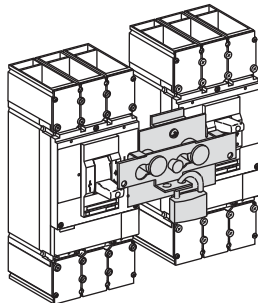


Interlocking with Toggle Control (S29354)

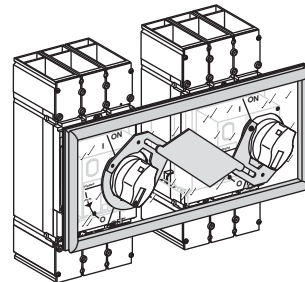


Interlocking with Rotary Handles (S29369)

L-Frame



Interlocking with Toggle Control (S32614)



Interlocking with Rotary Handles (S32621)

PowerPact H-, J-, and L-Frame Circuit Breakers Accessories and Auxiliaries

Interlocking of Circuit Breakers with Toggle Control

Two devices can be interlocked using this system. Two identical interlocking systems can be used to interlock three devices installed side by side.

Authorized positions:

- one device closed (ON), the others open (OFF)
- all devices open (OFF)

The system is locked using one or two padlocks (shackle diameter 0.19–0.31 in. [5 to 8 mm]). This system can be expanded to more than three devices.

There are two interlocking-system models:

- one for PowerPact H- and J-frame circuit breakers
- one for PowerPact L-frame circuit breakers

All toggle-controlled unit-mount or plug-in PowerPact H-, J-, and L-frame circuit breakers and automatic switches of the same frame size can be interlocked. The devices must be either all unit-mount or all plug-in versions. Interlocking is not available for I-Line constructions.

The toggle interlock system can receive one or two padlocks with diameters of 0.19–0.31 in. (5–8 mm). Both interlocked circuit breakers must be unit-mount or both plug-in. Two sliding interlocking bars can be used to interlock three circuit breakers installed side-by-side, in which case one circuit breaker is in the ON (I) position and the two others in the OFF (O) position. (Kit S29354, not available for two-pole HD and HG devices.)

Interlocking of Two Devices with Rotary Handles

Interlocking involves padlocking the rotary handles on two devices which may be either circuit breakers or automatic switches.

Authorized positions:

- one device closed (ON), the other open (OFF)
- both devices open (OFF).

The system is locked using up to three padlocks (shackle diameter 0.19–0.31 in. [5 to 8 mm]).

There are two interlocking-system models:

- one for PowerPact H- and J-frame circuit breakers
- one for PowerPact L-frame circuit breakers

All rotary-handle unit-mount or plug-in PowerPact H-, J-, and L-frame circuit breakers and automatic switches of the same frame size can be interlocked. The devices must be either all unit-mount or all plug-in versions. Interlocking is not available for I-Line constructions

The rotary handles are padlocked with the devices in the OFF (I) position. The interlock mechanism inhibits the two devices from being closed (ON/I) at the same time, but allows for both devices to be open (OFF/O) simultaneously. (Kit S29369. Not available for two-pole HD and HG devices.)

Table 107: Interlocking Accessories

Accessory	Means	Kit Number	
		H-, J-Frame	L-Frame
Interlocking	Mechanical for circuit breakers with rotary handles ¹	S29369	S32621
(UL listed)	Mechanical for circuit breakers with toggles ¹	S29354	S32614

¹ Not available in HD or HG two-pole modules.

Interlocking Devices using Keylocks (Captive Keys)

Interlocking using keylocks makes it possible to interlock two or more devices that are physically distant or that have very different characteristics, for example medium-voltage and low-voltage devices or a PowerPact H-, J-, and L-frame circuit breaker and automatic switch.

Each device is equipped with an identical keylock and the key is captive on the closed (ON) device. A single key is available for all devices. It is necessary to first open (OFF position) the device with the key before the key can be withdrawn and used to close another device.

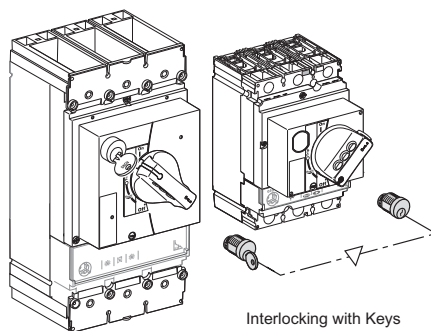
All rotary-handle PowerPact H-, J-, and L-frame circuit breakers and automatic switches can be interlocked between each other or with any other device equipped with the same type of keylock.

For circuit breakers equipped with rotary handles or a motor operator. Interlocking with keys may be easily implemented by equipping each of the circuit breakers, either unit-mount or drawout, with a directly mounted rotary operating handle and a standard keylock, with only one key for the two keylocks. This solution enables interlocking between two circuit breakers that are geographically distant or that have significantly different characteristics.

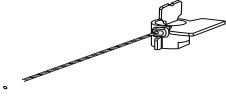
Use:

- A keylock adapter (one required for each circuit breaker)
- Two identical keylocks with a single key

See Table 101 for more information.



Sealing Accessory



The sealing accessory kits includes the elements required to fit seals to prevent:

- Front accessory cover removal
- Rotary handle removal
- Opening of the motor operator
- Access to accessories
- Access to trip unit settings
- Access to ground-fault protection settings
- Trip unit removal
- Terminal cover removal
- Access to power connections

Table 108: Sealing Accessory Kits

Description	Kit No.	Qty.
Trip Unit Sealing Accessory Kit	MICROTUSEAL	6
Front Cover Screws Sealing Accessory Kit	S29375	6

Front-Panel Escutcheons

- For unit-mount or plug-in installation.
- Front-panel escutcheons for toggle handles secures to the panel from the front.
- Front-panel escutcheons for motor-operated or rotary-operating handle secures to the panel by four screws from the front.

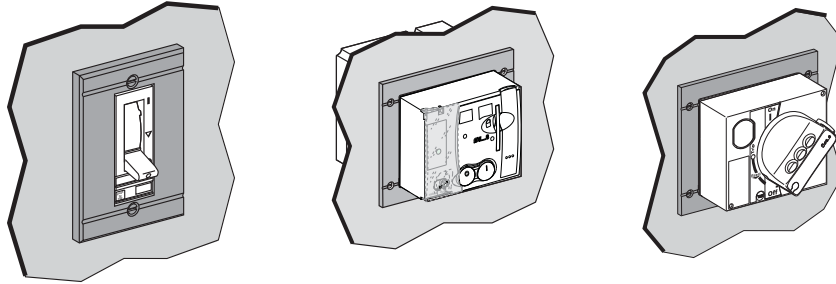
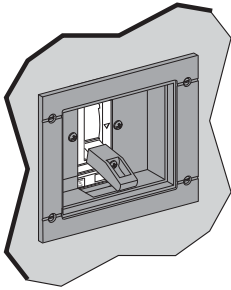


Table 109: Front-Panel Escutcheons

Description	Kit Number	
	H-, J-Frame	L-Frame
Front Panel Escutcheon for Toggle Circuit Breakers	S29315	32556
Front Panel Escutcheon for Rotary Handle, Motor Operator or Extended Escutcheon	S29317	S32558

Toggle Collars (For Drawout Mounting)



Toggle collars make it possible to maintain degrees of protection regardless of the circuit breaker position (connected, disconnected):

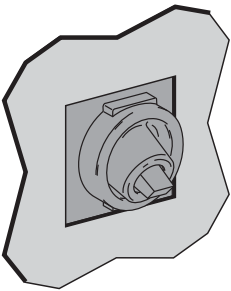
- Front panel escutcheons are required (identical to those for rotary handle and ammeter module)
- Toggle collars are secured by two screws on the circuit breaker
- Front panel escutcheons are secured on the enclosure
- Toggle extension is supplied with the toggle collar

Front panel escutcheons for motor operator and rotary operating handles are the same as for the unit-mount circuit breakers.

Table 110: Toggle Collars

Description	H-, J-Frame Kit Number	L-Frame Kit Number
Toggle Collar	S29284	S32534

Toggle Boot



- NEMA 1, 2, 3, 3R protection
- Fits on front of circuit breaker

Table 111: Toggle Boot

Description	Kit Number	
	H-, J-Frame ¹	L-Frame
Toggle Boot	S29319	S32560

¹ Not available for HD and HG two-pole modules.

Handle Extension

Designed to extend the circuit breaker handle for easier manual circuit breaker operation.

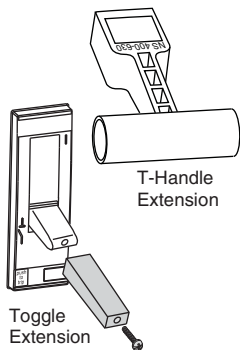


Table 112: Handle Extensions

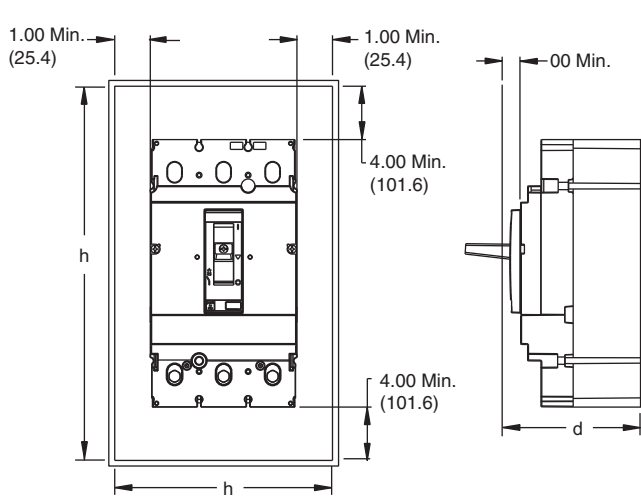
Description	Qty.	Kit Number	
		H-, J-Frame	L-Frame
T-Handle Extension (Temporary)	1	—	32595
Toggle Extension (Fixed)	5	S29313	S432553

PowerPact H-, J-, and L-Frame Circuit Breakers Accessories and Auxiliaries

Circuit Breaker Enclosures and Enclosure Accessories

- Square D™ brand circuit breaker enclosures are UL Listed/CSA Certified and are suitable for use as service entrance equipment, except as footnoted.
- The short circuit rating of an enclosed circuit breaker is equal to the rating of the circuit breaker installed, except as footnoted.
- Circuit breakers are ordered and shipped separately for field installation.

Table 113: Minimum Enclosure Dimensions



Circuit Breaker	Amperage	Enclosure Dimensions (h x w x d)	
		Standard (80%)	100% Rated
HD/HG /HJ/HL	15–150 A	15.6 x 6.12 x 3.49 in. (396 x 155 x 89 mm)	15.6 x 6.12 x 3.49 in. (396 x 155 x 89 mm)
		18.13 x 8.63 x 4.13 in. (461 x 219 x 105 mm)	62 x 22.5 x 14 in. (1575 x 572 x 356 mm)
JD/JG/ JJ/JL ¹	150–250 A	18.72 x 6.12 x 3.49 in. (476 x 155 x 89 mm)	18.72 x 6.12 x 3.49 in. (476 x 155 x 89 mm)
		28.5 x 12.38 x 5.38 in. (724 x 314 x 137 mm)	62 x 22.5 x 14 in. (1575 x 572 x 356 mm)
LD/LG/ LJ/LL	250–600 A	35.48 x 12.00 x 4.45 in. (901 x 305 x 113 mm)	35.48 x 12.00 x 4.45 in. (901 x 305 x 113 mm)
		40.5 x 13.75 x 4.33 in. (1030 x 350 x 110 mm)	40.5 x 13.75 x 4.33 in. (1030 x 350 x 110 mm)

¹ Minimum enclosure insulation required if circuit breaker side < 4.13 in. (105 mm) from metal.

Table 114: Circuit Breaker Enclosure Catalog Numbers

Circuit Breaker			Enclosure Cat. No.				
Cat. No. Prefix	Rating	Poles	NEMA 1 Flush	NEMA 1 Surface	NEMA 3R ¹	NEMA 4, 4X, 5, 3, 3R Stainless Steel	NEMA 12/3R, 5 (Without Knockouts) ²
HDL,HGL,HJL,HLL	15–150 A	2, 3	J250F	J250S	J250R	J250DS	J250AWK
JDL,JGL,JJL,JLL	150–250 A	2, 3					
HDL	15–100 A	3	—	HD100S ^{3, 4, 5}	—	—	—
JDL	150–250 A	3	—	JD250S ^{3, 5, 6}	—	—	—

¹ Enclosures with NRB or RB suffix have provisions for 3/4 in. through 2-1/2 in. bolt-on hubs in top endwall. Enclosures with R suffix have blank endwalls and require field cut opening.

² Suitable for rainproof NEMA 3R application by removing drain screw from bottom endwall.

³ Copper wire only.

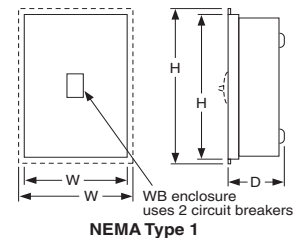
⁴ Maximum short circuit current rating is 25 kA, 240 Vac.

⁵ Order service ground kit PKOGTA2 if required.

⁶ Maximum short circuit current rating is 18 kA, 480 Vac.

Table 115: Dimensions

Cat. No.	Approximate Dimension						
	Series	H		W		D	
HD100S	A01	17.00 in.	431.8 mm	7.90 in.	200.7 mm	4.75 in.	120.7 mm
J250F	A01	32.40 in.	823 mm	15.40 in.	391 mm	6.00 in.	152 mm
J250S	A01	31.36 in.	797 mm	14.36 in.	365 mm	6.00 in.	152 mm
J250R	A01	31.05 in.	789 mm	14.47 in.	368 mm	6.28 in.	160 mm
J250DS	A01	32.26 in.	819 mm	9.72 in.	247 mm	7.94 in.	202 mm
J250AWK	A01	32.26 in.	819 mm	9.72 in.	247 mm	7.94 in.	202 mm



PowerPact H-, J-, and L-Frame Circuit Breakers Accessories and Auxiliaries

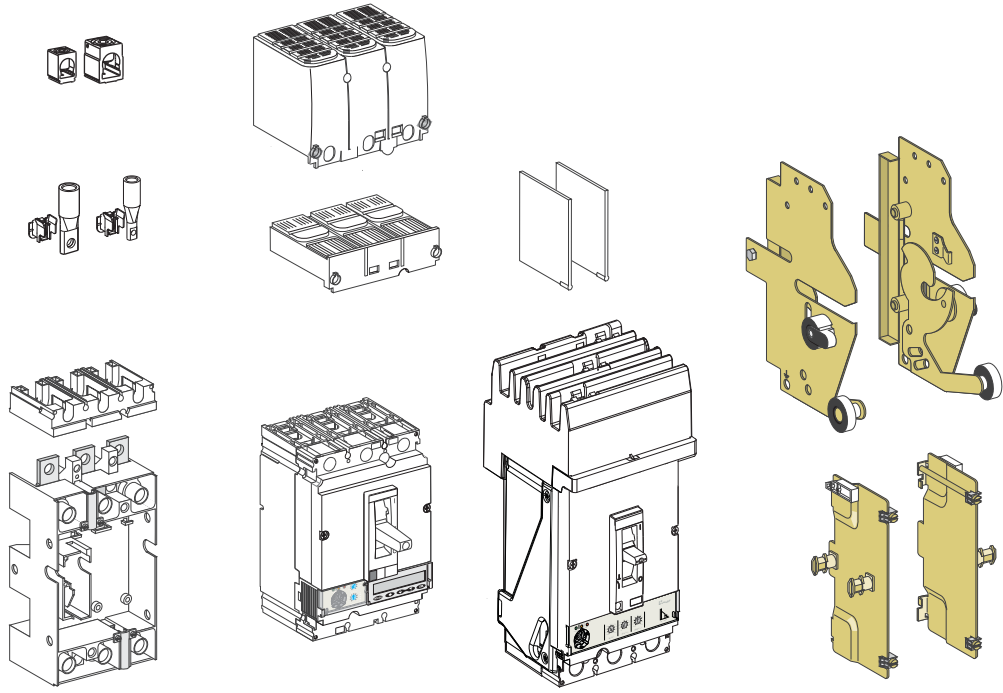
Table 116: Insulated Grounded Neutral Assembly

Circuit Breaker		Neutral Assembly For Use With		Terminal Lug Data—Total Available (Line plus Load) AWG/kcmil
Cat. No. Prefix	Ampere Rating	NEMA 1 & 3R Cat. No.	NEMA 4, 4X, 5, 12 & 12K Cat. No.	
HDL, HGL, HJL, HLL	15–100 A	SN100FA	SN100FA	(4) 14–1/0 Cu or (4) 12–1/0 Al
HDL, HGL, HJL, HLL	125–150 A	SN400LA	SN400LA	(2) 1–600 or (4) 1–250 Al/Cu, plus (2) 4–300 Al/Cu
JDL, JGL, JJL, JLL	150–250 A	SN400LA	SN400LA	(2) 1–600 or (4) 1–250 Al/Cu, plus (2) 4–300 Al/Cu

Table 117: Service Ground Kits

Circuit Breaker Cat. No. Prefix	Ground Bar Cat. No.	Number of Terminals	Conductors Per Terminal	Wire Range
HDL, HGL, HJL, HLL, JDL, JGL, JJL, JLL	PKOGTJ250	2	1	6 AWG–300 kcmil Al/Cu

Section 10—Circuit Breaker Mounting and Connections



Mounting Configurations

The PowerPact™ H-, J-, and L-frame circuit breakers are available in a variety of configurations.

Table 118: Mounting Options

Termination Letter	Poles		Options Code Suffix
	H-, J-Frame	L-Frame	
A = I-Line	3 Pole Only	3 Pole Only	For factory-installed terminations, place termination letter in the third block of the circuit breaker catalog number. L G D 3 6 4 0 0 U 3 1 X H J 0 0 Termination No. Options Code
F = Bus Bar	3 Pole Only	3 or 4 Pole	
L = Lugs on Both Ends	3 Pole Only	3 or 4 Pole	
M = Lugs ON End	3 Pole Only	3 or 4 Pole	
P = Lugs OFF End	3 Pole Only	3 or 4 Pole	
N = Plug-In	3 Pole Only	3 or 4 Pole	
D = Drawout	3 Pole Only	3 or 4 Pole	
S = Rear Connection	3 Pole Only	3 or 4 Pole	

Refer to circuit breaker installation bulletin before installing circuit breaker, accessories, or wiring.

Unit-Mount Circuit Breakers

The standard lugs can be removed for the installation of compression-type lugs or bus connections. All lugs are UL Listed/CSA Certified for their proper application and marked for use with aluminum and copper (Al/Cu) or copper only (Cu) conductors. Lugs suitable for copper and aluminum conductors are made of tin-plated aluminum.

Mounting

H-, J-, and L-frame circuit breakers may be mounted vertically, horizontally or flat on their back without any derating of characteristics.

Unit-mount H- and J-frame circuit breakers are supplied with two mounting screws, unit-mount L-frame circuit breakers are supplied with four mounting screws. These mounting screws are inserted through mounting holes molded into the circuit breaker case and threaded into the mounting enclosure, rails or through the panel door for flush mounting.

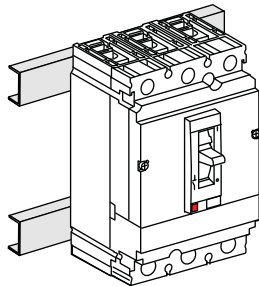
A DIN rail mounting bracket (catalog no. S29305) is available for the H- and J-frame circuit breakers.

NOTE: DIN rail mounting is not compatible with motor operated applications.

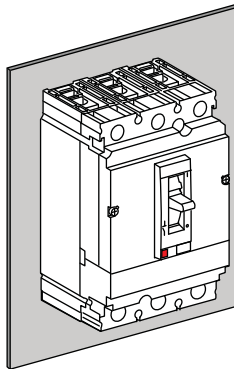
Figure 10: Unit-Mounting Options

H-, J-Frame Circuit Breakers (Two Mounting Screws)

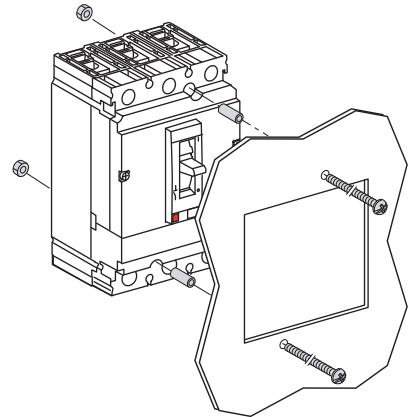
Mounting on Rails



Mounting on Backplate

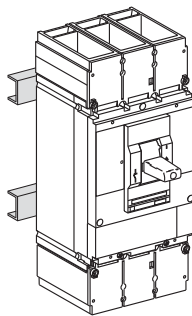


Flush Mounting

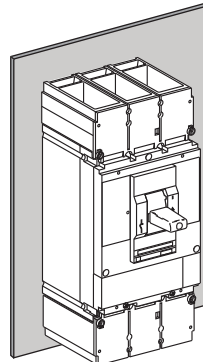


L-Frame Circuit Breakers (Four Mounting Screws)

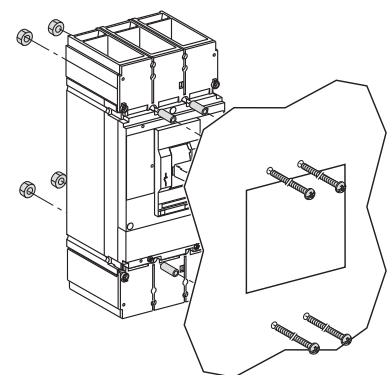
Mounting on Rails



Mounting on Backplate



Flush Mounting



PowerPact H-, J-, and L-Frame Circuit Breakers

Circuit Breaker Mounting and Connections

I-Line™ Circuit breakers

PowerPact H-, J-, and L-frame circuit breakers are available in I-Line construction for easy installation and removal in I-Line applications.

I-Line circuit breakers use “blow-on” type line side connectors. In case of a short circuit, increased magnetic flux causes the plug-on connectors of the circuit breaker to tighten their grasp on the bus bars. The I-Line connectors and circuit breaker mounting bracket are integral parts of I-Line circuit breakers and cannot be removed or replaced. I-Line circuit breakers come with mechanical load side lugs, or optional terminal nut to connect to bus bars or to compression (crimp) lugs.

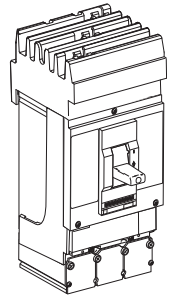
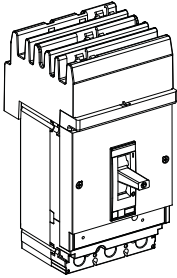


Table 119: Phase Options—Example HDA36150

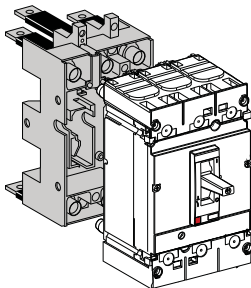
Phase Option Number	Phase Connection	Two-Pole Example	three-pole Example
1	AB	HDA261501	—
2	AC	HDA261502	—
3	BA	HDA261503	—
4	BC	HDA261504	—
5	CA	HDA261505	—
6	CB	HDA261506	—
Standard	ABC	—	HDA36150
6	CBA	—	HDA361506

Plug-In Circuit Breaker Mounting

The plug-in base is mounted through a panel. The plug-in configuration makes it possible to:

- Extract and/or rapidly replace the circuit breaker without having to touch connections
- Allow for addition of future circuits at a later date

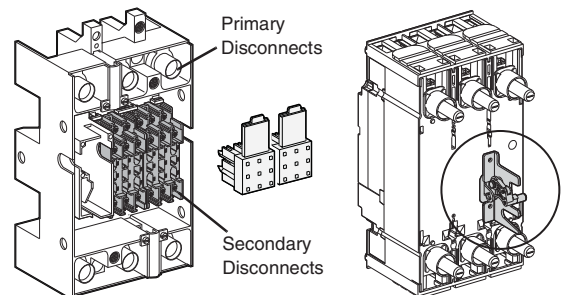
When the circuit breaker is in the connected position, the primary voltage is fed through the circuit breaker by means of multiple finger disconnects. Control voltage of internal accessories is provided through secondary disconnects.



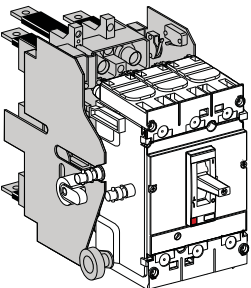
Plug-In Mounting

Parts of a Plug-In Configuration

- Plug-in Base: The plug-in base provides mounting through a front panel or mounting on rails.
- Disconnects: Provides both primary and secondary disconnect to the circuit breaker.
- Safety Trip Interlock: The safety trip causes automatic tripping if the circuit breaker is ON before engaging or withdrawing it; the safety trip does not prevent the circuit breaker operation, even when the circuit breaker is disconnected.
- Plug-in Base: The plug-in base provides mounting through a front panel or mounting on rails.
- Mandatory short terminal shields.

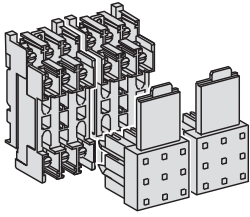


Safety Trip Interlock Mounted on Back of Circuit Breaker



Drawout Mounting

PowerPact H-, J-, and L-Frame Circuit Breakers Circuit Breaker Mounting and Connections

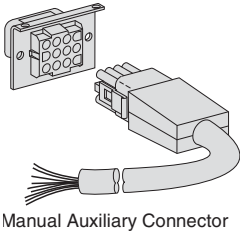


Disconnecting Blocks

Accessory circuits exit the circuit breaker using one to three secondary disconnecting blocks (nine wires each). Circuit breaker connection wires for the options installed with trip unit STR53UP exit through the automatic secondary disconnecting blocks. These are made up of:

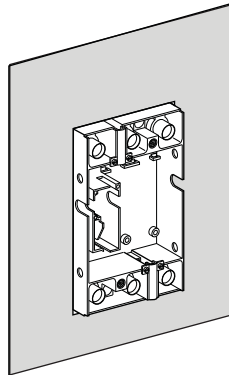
- A moving part connected to the circuit breaker through a support (one support per circuit breaker).
- A fixed part mounted on the plug-in base, equipped with connectors for wire up to 14 AWG (2.5 mm²).

For test purposes, circuit breakers may be equipped with one to three manual auxiliary connectors, which allow the auxiliaries to remain connected when in the “disconnected” position.

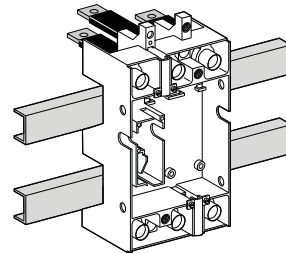


Manual Auxiliary Connector

Figure 11: Plug-In Base (Mounting Options)



Mounting Through
a Panel



Mounting on Rails

The L-frame plug-in mounting is Listed under UL file E113555 and Certified under CSA file LR 69561.

PowerPact H-, J-, and L-Frame Circuit Breakers

Circuit Breaker Mounting and Connections

Drawout Mounting

The cradle is made up of two side plates installed on the plug-in base and two other plates mounted on the circuit breaker.

The drawout mounting provides all of the functions of the plug-in base, plus:

- Disconnected position—the power circuit is disconnected, the circuit breaker is simply withdrawn and may still be operated (on, off, push-to-trip)
- Circuit breaker may be locked using 1 to 3 padlocks, diameter 0.19 to 0.31 inch (5–8 mm), to prevent connection
- Auxiliaries can be tested using manual auxiliary connector

Drawout mounting is on a backplate:

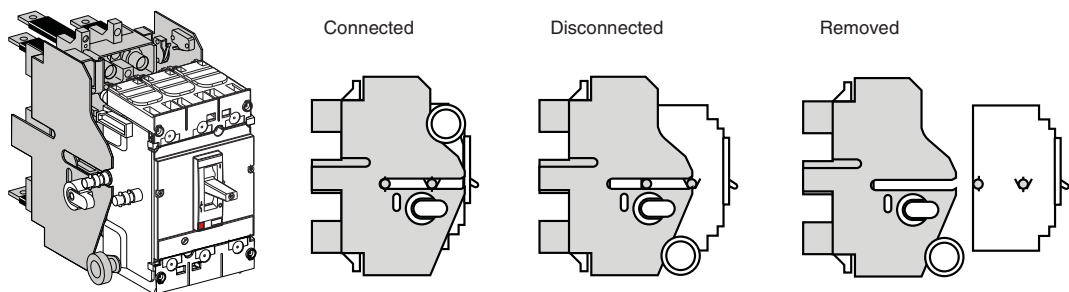
- Through a front panel or on rails
- Horizontally or vertically

Accessories for drawout circuit breakers:

- *Auxiliary contacts indicator* for installation on the fixed part of the cradle, indicating the “connected” and “disconnected” position
- *Toggle collar* for circuit breakers with toggle through front panel, intended to maintain the degree of protections whatever the position of the circuit breakers (supplied with a toggle extension)
- *Keylock* which can be used to
 - Prevent insertion for connection
 - Lock the circuit breaker in the connected or disconnected position
- *Telescopic shaft* for extended rotary handles
- *Control voltage*, which is provided through automatic secondary disconnect in the connected position only. Electrical accessories can be tested in the disconnected position with an external wiring harness.

The drawout-mounted cradle is listed under UL file E113555 and certified under CSA file LR69561.

Figure 12: Drawout Mounting Positions



PowerPact H-, J-, and L-Frame Circuit Breakers Circuit Breaker Mounting and Connections

**Table 120: Plug-In and Drawout Mountings for H- and J-Frame Circuit Breakers
(Three-Pole or Two-Pole in a Three-Pole module)**

Description		Factory Installed Suffix	Field-Installed Cat. No.
Complete Factory-Assembled Circuit Breakers	Plug-in base shipped with circuit breaker	N	—
	Drawout cradle shipped with circuit breaker	D	—
Special Order Options for Plug-In and Drawout Circuit Breakers	Plug-In Base	Circuit breaker only	HJ00
		Plug-in base kit	S29278
	Drawout Cradle	Circuit breaker only	HJ00
		Plug-in base kit	S29278
		Cradle side plates (fixed part of chassis)	S29282
	Circuit breaker side plates (moving part of chassis)	S29283	
Accessories for Plug-In and Drawout	H-Frame Shutter Kit (set of two)		S37442
	J-Frame Shutter Kit (set of two)		S37443
	Secondary Disconnect Blocks	Fixed part 9-wire connector (mounted on base)	S29273
		Moving part 9-wire connector (mounted on circuit breaker)	S29274
		Support for 2-moving connectors	S29275
	Extended escutcheon with extended toggle collar		S29284
	Two position indicating switches (connected/disconnected)		S29287
	H-Frame Short Terminal Covers (Three-Pole)		S37436
	J-Frame Short Terminal Covers (Three-Pole)		S37440

Table 121: Plug-In and Drawout Mountings for L-Frame Circuit Breakers

Description		Poles	Plug-in Mounting		Drawout Mounting			
			Factory Installed Suffix	Field-Installed		Factory Installed Suffix	Field-Installed	
				Qty	Kit. No.		Qty	Kit. No.
Kit (stationary and moving parts)		3	N	—	—	D	—	
		4	N	—	—	D	—	
Stationary Part	Plug-in base	3		S32514			S32514	
	Fixed part of chassis	4		S32515			S32515	
							S32532	
Moving Part	Circuit breaker only		HJ00			HJ00		
	Moving part of chassis						S32533	
	Short terminal covers	3		2x ¹ S32562			2x ¹ S32562	
		4		2x ¹ S32563			2x ¹ S32563	

¹ Order two of kit.

Handle Escutcheon

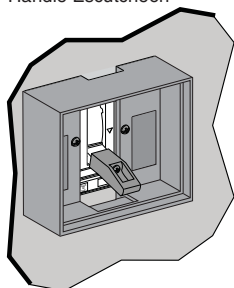


Table 122: Plug-In and Drawout Accessories

Plug-In and Drawout Accessories			Field-Installed Kit No.	
			H-, J-Frame	L-Frame
Secondary Disconnecting Blocks ¹	Fixed Part	9-Wire Connector	S29273	S29273
	Moving Part	9-Wire Connector	S29274	S32523
		Support for Moving Connectors	2x ² S29275	3x ³ S32525
Manual Auxiliary Connector	9-Wire Connector for Disconnected Operation		—	S29272
Shutter	Two Shutters for Plug-In Base		29271	32521
Classic Accessories	Extended Escutcheon for Toggle Collar		S29284	S32534
	Locking Device (Key Lock is Not Included)		S29286	S29286
	Two Position Indicator Contacts (Connected/Disconnected)		S29287	S29287

¹ Included when electrical accessories are factory installed.

² Order two of kit.

³ Order three of kit.

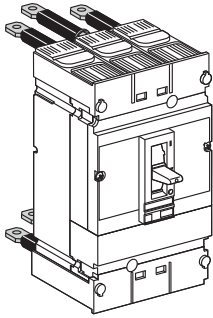
PowerPact H-, J-, and L-Frame Circuit Breakers

Circuit Breaker Mounting and Connections

Connection

Rear Connection

For connection of bus bars or cables with compression lugs. Rear connections are easily installed on the circuit breaker terminals. The same connection may be installed flat, edgewise or at a 45° angle. All combinations are possible. The circuit breaker is mounted on a backplate.



One Long and Two Short

Four Positions Possible for Each Connector

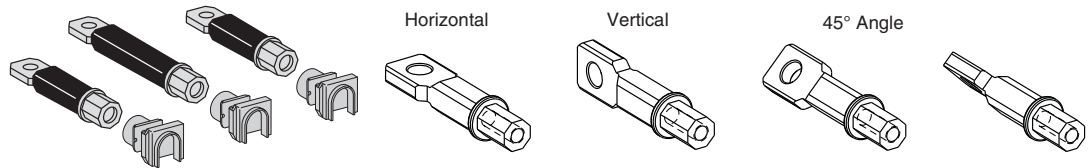


Table 123: Rear Connections

Device	Description	H-Frame			J-Frame			L-Frame		
		Poles	Factory-Installed Termination No.	Field-Installable Cat. No.	Poles	Factory-Installed Termination No.	Field-Installed Cat. No.	Poles	Factory-Installed Termination No.	Field-Installed Cat. No.
Mixed Rear Connection Kit ¹		2	S	—	2	S	—	3	S	S32477
		3	S	S37432	3	S	S37437	4	S	S32478
Consisting of:	Short rear connections (set of 2)	2 or 3	—	2x ² S37433	2 or 3	—	2x ² S37438	3	—	2x ^{2,3} S432475
	Long rear connections (set of 2)		—	S37434		—	S37439 ⁴		—	2x ³ S432476
	Short terminal cover	3	—	S37436	3	—	S37440	3	—	2x ⁵ S32562
	Short terminal cover	4	—	—	—	—	—	4	—	2x ⁵ S32563

¹ Kit contains four short rear connections, two long rear connections (four long rear connections for four-pole), hardware and two terminal covers.

² Order two kits (two in kit x two kits for total of four).

³ Parts only, no hardware is included. See Table 124, below.

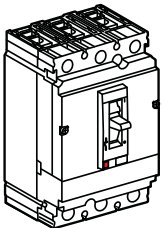
⁴ For use with three-pole circuit breakers only.

⁵ Order two kits (kit contains only one terminal cover, two terminal covers are required per circuit breaker).

Table 124: L-Frame Rear Connection Hardware

Description	Cat. No.
Set of 4 M10 x 25 terminal screws and washers for one side.	S36967

Mechanical Lugs



Unit-mount H-, J-, and L-frame circuit breakers can be ordered with mechanical line and load side lugs. The standard lugs can be removed for the installation of compression-type lugs or bus connections. All lugs are UL Listed/CSA Certified for their proper application and marked for use with aluminum and copper (Al/Cu) or copper only (Cu) conductors. Lugs suitable for copper and aluminum conductors are made of tin-plated aluminum. Lugs suitable for use with copper conductors only are made of copper.

Mechanical Lugs for the H- and J-frame circuit breakers lay on top of the circuit breaker terminals and can be installed without the use of any tools. The lugs are held in place with snap features built into the insulating retainer and are secured with the clamp force applied to the wire binding screw.

Mechanical lugs are sold either factory installed or as field installable kits.

PowerPact H-, J-, and L-Frame Circuit Breakers Circuit Breaker Mounting and Connections

Table 125: Mechanical Lug Kits for H-Frame and J-Frame Circuit Breakers

	Circuit Breaker Application				Number of Wires Per Lug and Wire Range	Kit Cat. No.	Qty Per Kit
	Standard	Ampere Rating	Optional	Ampere Rating			
Al Lugs for Use with Al or Cu Wire	HD, HG, HJ, HL	15–150 A			(1) 14–3/0 AWG Al or Cu	AL150HD	3
	JD, JG, JJ, JL	150–175 A			(1) 4-4/0 AWG Al or Cu	AL175JD	3
	JD, JG, JJ, JL	200–250 A	JD, JG, JJ, JL	150–175 A	(1) 3/0–350 kcmil Al or Cu	AL250JD	3
Cu Lugs for Use with Cu Wire Only			HD, HG, HJ, HL	15–150 A	(1) 14–2/0 AWG Cu	CU150HD	3
			JD, JG, JJ, JL	150–250 A	(1) 1/0–300 kcmil Cu	CU250JD	3
Control Wire Terminal for H-frame lug kit						S37423	2
Control Wire Terminal for J-frame lug kit						S37424	2

Table 126: Mechanical Lug Kits for L-Frame Circuit Breakers¹

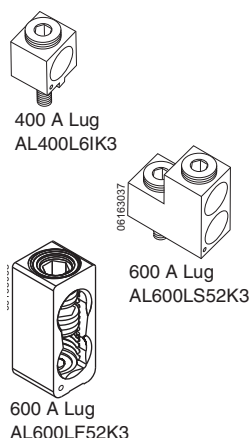
	Circuit Breaker Application				Number of Wires Per Lug and Wire Range ²	Kit Cat. No.	Qty Per Kit	Type of Terminal Shield ³
	Ampere Rating	Poles	Unit Mount	I-Line				
Al Lugs for Use with Al or Cu Wire	250	3	X	X	(1) 2 AWG–500 kcmil Al	AL400L61K3	3	Short
		4	X	—	(1) 2 AWG–600 kcmil Cu	AL400L61K4	4	Medium
	400/600	3	X	—	(2) 2/0 AWG–500 kcmil Al or Cu	AL600LS52K3⁴	3	Medium
		4	X	—		AL600LS52K4⁴	4	Medium
Cu Lugs for Use with Cu Wire Only	250/400	3	X	X	(1) 2 AWG–500 kcmil Al	CU400L61K3	3	Short
		4	X	—	(1) 2 AWG–600 kcmil Cu	CU400L61K4	4	Medium
	400/600	3	X	—	(2) 2/0 AWG–500 kcmil Al or Cu	CU600LS52K3⁴	3	Medium
		4	X	—		CU600LS52K4⁴	4	Medium
	400/600	3	X	X	(2) 3/0 AWG–500 kcmil Al or Cu	CU600LF52K3⁴	3	Short
		4	X	X		CU600LF52K4⁴	4	Short

¹ For lug pack information, see Figure 36 on page 177.

² For control wire installation, use an 8-32 x 1/4 in. screw (not provided) into tapped control wire hole in lower left hand corner of lug.

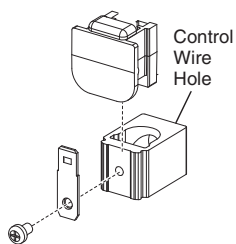
³ For terminal shield dimensions, see Figure 36 on page 177.

⁴ Terminal shields are included in mechanical lug kits.

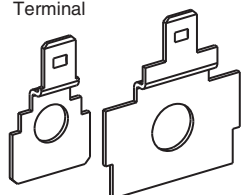


Voltage Takeoff (Control Wire Terminals) for Mechanical Lugs and Terminal Nuts

Mechanical Lug Control Wire Terminal



Busbar Control Wire Terminal



Powerpact H- and J-Frame mechanical lugs may be equipped with a separate control wire termination. The kit is available factory installed or as a field installable kit. The adaptor is secured underneath the lug and has a tab extension suitable for attachment of a 0.250 inch slip-on connector.

All L-frame mechanical lugs are pre-tapped for control wires. For control wire installation, use an 8-32 x 1/4 in. screw (not provided) into tapped control wire hole in lower left hand corner of the lug.

Fully insulated type connectors must be used to prevent live parts from extending into the wiring gutter area.

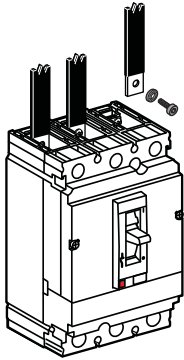
Table 127: Control Wire Terminals

Description	Frame	Cat. No.	Qty Per Kit
Mechanical Lugs			
Control Wire Terminal for H-Frame Lugs	HD/HG/HJ/HL	S37423	2
Control Wire Terminal for J-Frame Lugs	JD/JG/JJ/JL	S37424	2
Busbar Connection			
Control Wire Terminal for H-Frame Terminal Nut	HD/HG/HJ/HL	S37429	2
Control Wire Terminal for J-Frame Terminal Nut	JD/JG/JJ/JL	S37430	2

PowerPact H-, J-, and L-Frame Circuit Breakers

Circuit Breaker Mounting and Connections

Bus-Bar Connections



The H-, J- and L-frame circuit breakers may be equipped with captive nuts and screws for direct connection to bars or to compression (crimp) lugs.

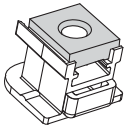
For H- and J-frame, these are readily field-installable, simply by removing the mechanical lug and replacing with the appropriate terminal nut inset described in Table 128. They are also available factory-installed, using the Product Selector or by using the catalog suffixes below.

For L-frame, the mechanical lug can be removed, leaving the threaded nut insert intact. This configuration may be ordered with the suffixes described below. Connection hardware (terminal screws) must be ordered as in table 128.

Table 128: Factory-Installed Terminal Nut Inserts for Bus or Crimp Lug Connection

Cat. No. Termination (Position 4)	Special Terminations Options	Description
F	—	Terminal nut insert on both ends; no lugs either end
M	—	Terminal nut insert on OFF end; lugs on ON end only
P	—	Terminal nut insert on ON end; lugs on OFF end only
A	-TA	I-Line on ON end; English terminal nuts on OFF end ¹
A	-TB	I-Line on ON end; Metric terminal nuts on OFF end ¹
F, M, or P	-TW	For -F, Metric terminal nuts on both ends ¹
F, M, or P	-TX	For -M, lugs on ON end; Metric terminal nuts on OFF end For -P, Metric terminal nuts on ON end; lugs on OFF end

¹ For H- and J-frame only. L-frame terminal nuts are metric only.



Terminal Nut Insert

Table 129: Terminal Nuts for Bus Bar Connection of H-Frame and J-Frame Circuit Breakers

Description	Frame	Tap	Cat. No.	Qty Per Kit	Torque
H-Frame Terminal Nut Insert–English	HD/HG/HJ/HL	1/4-20	S37425	2	80–90 lb-in (9–10.2 N•m)
H-Frame Terminal Nut Insert–English	HD/HG/HJ/HL	1/4-20	S37444	3	
H-Frame Terminal Nut Insert–Metric	HD/HG/HJ/HL	M6	S37426	2	
J-Frame Terminal Nut Insert–English	JD/JG/JJ/JL	1/4-20	S37427	2	80–90 lb-in (9–10.2 N•m)
J-Frame Terminal Nut Insert–English	JD/JG/JJ/JL	1/4-20	S37445	3	
J-Frame Terminal Nut Insert–Metric	JD/JG/JJ/JL	M8	S37428	2	



Table 130: Bar Dimensions

Dimension	H-Frame	J-Frame	L-Frame
A	0.250 in. (6.4 mm)	0.3125 in. (7.9 mm)	0.4 in. (10.2 mm)
B	0.125–0.375 in. (3.2–9.5 mm)	0.125–0.375 in. (3.2–9.5 mm)	0.11–0.39 in. (2.8–9.9 mm)
C	0.50 in. (12.7 mm)	0.50–0.75 in. (12.7–19.0 mm)	1.35 in. (34.3 mm)
D	0.3 in. (7.6 mm)	0.625 in. (15.9 mm)	<0.51 in. 13 mm
E	0.3 in. (7.6 mm)	0.375 in. (9.5 mm)	0.64 in. (16.3 mm)

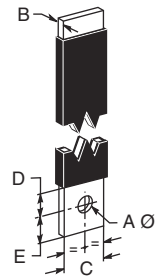
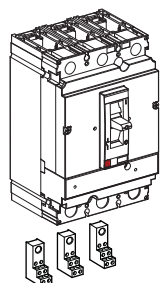


Table 131: L-Frame Bus Bar Connections Hardware

Description	Cat. No.
Set of 4 M10 x 25 terminal screws and washers for one side.	S36967

PowerPact H-, J-, and L-Frame Circuit Breakers Circuit Breaker Mounting and Connections

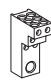
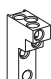
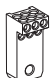
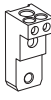
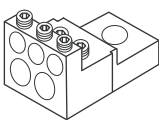
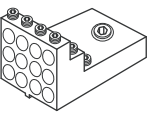
Power Distribution Connectors



The power distribution connectors (PDC) can be used for multiple load wire connections on one circuit breaker. Use in place of standard distribution blocks to save space and time. Field installable kit includes tin-plated aluminum lug, connectors, and required mounting hardware.

- For use on load end of circuit breaker only
- For use in UL 508 Industrial Control applications
- For use in UL 1995/CSA C22.2 No. 236 heating and cooling equipment
- For copper wire only

Table 132: Power Distribution Connectors

Frame		Kit Number	Qty per Kit	Wires per Terminal	Wire Range	Wire Binding Screw Torque
H-Frame		PDC6HD6	3	6	8–6 AWG (10–16 mm ²)	25 lb-in. (2.8 N•m)
		PDC3HD2	3	3	2 AWG (35 mm ²)	40 lb-in. (4.5 N•m)
J-Frame		PDC6JD4	3	6	8–4 AWG (10–25 mm ²)	35 lb-in. (4.0 N•m)
		PDC3JD20	3	3 total 2 and 1	14–6 AWG Cu (2.5–16 mm ²) or 4–1 AWG Cu (25–50 mm ²) 3–2/0 AWG Cu (35–70 mm ²)	35 lb-in. (4.0 N•m) 40 lb-in. (4.5 N•m) 50 lb-in. (5.6 N•m)
L-Frame		PDC5DG20L3 ¹	3	5 total 3 and 2	4–1 AWG (25–50 mm ²) or 14–6 AWG (2.5–16 mm ²) 3–2/0 AWG (35–70 mm ²)	40 lb-in. (4.5 N•m) 35 lb-in. (4.0 N•m) 50 lb-in. (5.6 N•m)
		PDC12DG4L3 ¹	3	12	8–4 AWG (10–25 mm ²) 14–10 AWG (2.5–6 mm ²)	35 lb-in. (4.0 N•m) 20 lb-in. (2.3 N•m)

¹ Kit includes terminal shield.

See Table 135 for the phase barriers for power distribution connectors.

PowerPact H-, J-, and L-Frame Circuit Breakers

Circuit Breaker Mounting and Connections

Compression Lugs

Both copper and aluminum compression lug kits are available for the H-, J-, and L-frame circuit breakers. Each kit contains required insulators and all mounting hardware. Compression lugs require the long lug cover pack, see Figure 36 on page 177.

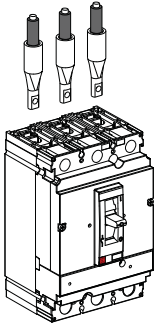


Table 133: Compression Lug Kits for Al/Cu Connectors

Circuit Breaker	Lug Kit	Rating at 75°C		Poles	Wires per Lug	Wire Range	Lugs per Terminal	Lugs per Kit
		Al	Cu					
Al/Cu Connectors								
H-Frame	YA060HD	≤ 60 A	≤ 60 A	3	1	6–2 AWG Cu or Al (16–35 mm ²)	1	3
	YA150HD	≤ 150 A	≤ 150 A	3	1	1/0–4/0 AWG Cu or Al (50–95 mm ²)	1	3
J-Frame	YA150JD	≤ 200 A	≤ 200 A	3	1	1–3/0 AWG Cu or Al (50–95 mm ²)	1	3
	YA250J35	≤ 250 A	≤ 250 A	3	1	3/0 AWG–350 kcmil Cu or Al (95–185 mm ²)	1	3
L-Frame	YA400L31K3	230 A	285 A	3	1	4–300 kcmil Al/Cu (25–150 mm ²)	1	3
	YA600L32K3	460 A	570 A	3	2	4–300 kcmil A/Cu (25–150 mm ²)	2	6
	YA400L51K3	310 A	380 A	3	1	2/0–500 kcmil A/Cu (70–240 mm ²)	1	3
	YA600L52K3	620 A	760 A	3	2	2/0–500 kcmil Al/Cu (70–240 mm ²)	2	6
	YA400L71K3	385 A	380 A	3	1	500–750 kcmil Al (240–400 mm ²) 500 kcmil Cu (240 mm ²)	1	3
	YA600L32K4	460 A	380 A	4	2	4–300 kcmil A/Cu (25–150 mm ²)	1	8
	YA400L51K4	310 A	380 A	4	1	2/0–500 kcmil Al/Cu (70–240 mm ²)	2	4
	YA600L52K4	620 A	760 A	4	2	2/0–500 kcmil Al/Cu (70–240 mm ²)	1	8
	YA400L71K4	385 A	475 A	4	1	500–750 kcmil Al (240–400 mm ²) 500 kcmil Cu (240 mm ²)	2	4

PowerPact H-, J-, and L-Frame Circuit Breakers Circuit Breaker Mounting and Connections

Table 134: Compression Lug Kits for Cu Connectors

Circuit Breaker	Lug Kit	Rating at 75 C		Poles	Wires per Lug	Wire Range	Lugs per Terminal	Lugs per Kit
		Al	Cu					
H-Frame	CYA060HD	—	≤ 60 A	3	1	6–1/0 AWG Cu (16–50 mm ²)	1	3
	CYA150HD	—	≤ 150 A	3	1	4–2/0 AWG Cu (25–70 mm ²)	1	3
J-Frame	CYA150JD	—	≤ 150 A	3	1	4–2/0 AWG Cu (25–70 mm ²)	1	3
	CYA250J3	—	≤ 250 A	3	1	2/0 AWG–300 kcmil Cu (70–185 mm ²)	1	3
L-Frame	CYA400L31K3	—	285 A	3	1	2/0–300 kcmil Cu (70–150 mm ²)	1	3
	CYA600L32K3	—	570 A	3	2	2/0–300 kcmil Cu (70–150 mm ²)	2	6
	CYA400L51K3	—	380 A	3	1	250–500 kcmil Cu (150–240 mm ²)	1	3
	CYA600L52K3	—	760 A	3	2	250–500 kcmil Cu (150–240 mm ²)	2	6
	CYA400L31K4	—	285 A	4	1	2/0–300 kcmil Cu (70–150 mm ²)	1	4
	CYA600L32K4	—	570 A	4	2	2/0–300 kcmil Cu (70–150 mm ²)	2	8
	CYA400L51K4	—	380 A	4	1	250–500 kcmil Cu (150–240 mm ²)	1	4
	CYA600L52K4	—	760 A	4	2	250–500 kcmil Cu (150–240 mm ²)	2	8

Terminal Shields

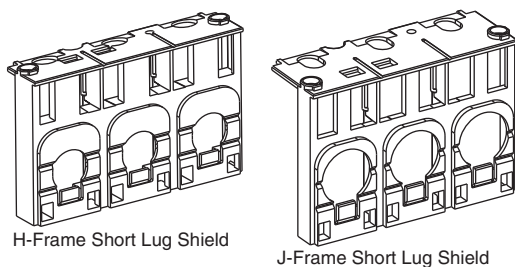
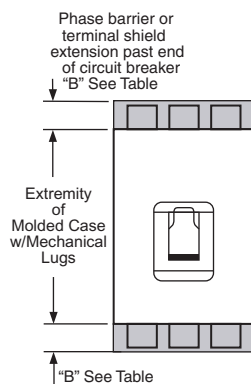


Table 135: Terminal Shields and Phase Barriers

Used With	Description			Dimension B	Cat. No.	Qty Per Kit	
H- and J-Frame Mechanical Lugs	Short Lug Shield	Frame	Max. Wire Size				
		H-Frame 60 A	3 AWG	0.50 in.	S37446	1	
		H-Frame 150 A	3/0 AWG	0.50 in.	S37447	1	
		J-Frame	350 kcmil	0.24 in.	S37448	1	
H- and J-Frame Power Distribution Connectors and Compression Lugs	H-Frame Long Lug Shield	Compatible with:					
		PDC	Compression Lugs				
			Aluminum	Copper			
		PDC6HD6	YA060HD	CYA060HD	2.24 in.	S37449	1
		PDC3HD2	YA150HD	CYA150HD			
		J-Frame Long Lug Shield	PDC6JD4	YA150JD	CYA150JD	1.68 in.	S37450
PDC3JD2	—		CYA250J3				

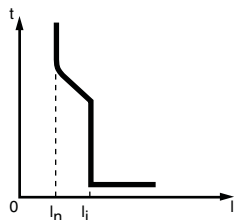


Section 11—Installation Recommendations

Operating Conditions

Temperature Derating

- PowerPact™ H-, J-, and L-frame circuit breakers may be used between -13°F and 158°F (-2°C and +70°C). For temperatures higher than 104°F (40°C) inside the enclosure, devices must be derated.
- Circuit breakers should be put into service under normal ambient, operating-temperature conditions.
- The permissible storage-temperature range for PowerPact H-, J-, and L-frame circuit breakers in the original packing is -58°F¹ and 185°F (-50°C¹ and +85°C).



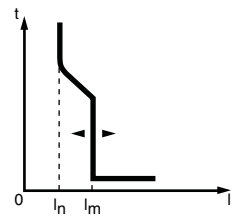
H-Frame Trip Curve

- (I_n) Fixed threshold thermal protection against overload
- (I_i) Fixed threshold instantaneous protection against short circuits

Table 136: Temperature Derating for H-Frame Trip Unit Thermal Protection—Long-Time

Temperature ¹		Rating (A) I _n															
°C	°F																
-10	14	23	30	38	46	53	60	68	76	88	103	112	123	137	160	180	221
0	32	21	28	36	43	49	56	63	71	83	97	107	117	131	151	171	207
10	50	20	26	33	40	46	52	59	66	77	90	101	111	126	141	161	194
20	68	18	24	31	37	42	48	54	62	72	84	96	105	120	132	152	180
30	86	17	22	28	34	39	44	50	56	66	77	88	98	110	121	139	165
40	104	15	20	25	30	35	40	45	50	60	70	80	90	100	110	125	150
50	122	12	17	21	25	30	34	38	43	53	62	72	80	86	95	109	131
60	140	9	14	17	20	24	28	31	35	46	53	63	70	72	80	93	111

¹ Shaded areas indicate temperature derated values, non-shaded areas inside an enclosure are standard circuit breaker ampere ratings at 104°F (40°C).



J-Frame Trip Unit

- (I_n) Fixed threshold thermal protection against overload
- (I_m) Adjustable instantaneous protection against short circuits

Table 137: Temperature Derating for J-Frame Trip Unit Thermal Protection—Long-Time

Temperature ¹		Rating (A) I _n					
°C	°F						
-10	14	221	264	289	330	377	
0	32	207	247	273	310	354	
10	50	194	230	256	290	330	
20	68	180	213	240	270	307	
30	86	165	194	220	248	279	
40	104	150	175	200	225	250	
50	122	131	150	176	193	214	
60	140	111	124	151	160	177	

¹ Shaded areas indicate temperature derated values, non-shaded areas are standard circuit breaker ampere ratings at 104°F (40°C).

¹ -40°F (-40°C) for Micrologic trip units with an LCD screen.

PowerPact H-, J-, and L-Frame Circuit Breakers Installation Recommendations

PowerPact H-, J- and L-Frame Circuit Breakers Equipped with Electronic Trip Units

Electronic trip units are not affected by variations in temperature. If the trip units are used in high-temperature environments, the Micrologic™ trip unit setting must nevertheless take into account the temperature limits of the circuit breaker.

Changes in temperature do not affect measurements by electronic trip units.

- The built-in CT sensors with Rogowski coils measure the current.
- The control electronics compare the value of the current to the settings defined for 104°F (40°C).

Because temperature has no effect on the CT measurements, the tripping thresholds do not need to be modified.

However, the temperature rise caused by the flow of current combined with the ambient temperature increases the temperature of the device. To avoid reaching the thermal withstand value, it is necessary to limit the current flowing through the device, that is the maximum I_r setting as a function of the temperature.

The table below indicates the maximum long-time (LT) protection setting I_r (A) depending on the ambient temperature.

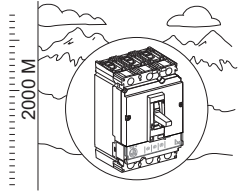
Table 138: Derating Circuit Breakers with Micrologic Trip Units

Type of Device	Rating	Temperature						
		104°F (40°C)	113°F (45°C)	122°F (50°C)	131°F (55°C)	140°F (60°C)	149°F (65°C)	158°F (70°C)
H-Frame								
Unit-mount, plug-in or drawout	60 A	No derating						
	100 A	No derating						
	150 A	No derating						
J-Frame								
Unit-mount	250 A	250	250	250	245	237	230	225
Plug-in or drawout	250 A	250	245	237	230	225	220	215
L-Frame								
Unit-mount	400 A	400	400	400	390	380	370	360
Plug-in or drawout	400 A	400	390	380	370	360	350	340
Unit-mount	600 A	600	600	600	585	570	550	535
Plug-in or drawout	600 A	570	550	535	520	505	490	475

Example. A unit-mount PowerPact L-frame circuit breaker equipped with a Micrologic can have a maximum I_r setting of:

- 400 A up to 122°F (50°C)
- 380 A up to 140°F (60°C)

PowerPact H-, J-, and L-Frame Circuit Breakers Installation Recommendations



Altitude Derating

Altitude does not significantly affect the characteristics of PowerPact H-, J-, and L-frame circuit breakers up to 6560 ft. (2000 m). Above this altitude, it is necessary to take into account the decrease in the dielectric strength and cooling capacity of air.

The following table gives the corrections to be applied for altitudes above 6560 ft. (2000 m). The breaking capacities remain unchanged.

Table 139: Altitude Derating

Altitude		6560 ft (2000 m)	9840 ft (3000 m)	13120 ft (4000 m)	16400 ft (5000 m)
Dielectric withstand voltage		3000 V	2500 V	2100 V	1800 V
Insulation voltage	V_i	800 V	700 V	600 V	500 V
Maximum operational voltage	V_e	690 V	590 V	520 V	460 V
Average current capacity (A) at 104°F (40°C)	$I_n \times$	1.0	0.96	0.93	0.9

Frequency Derating

Application of H- and J-frame circuit breakers at frequencies above 60 Hz requires that special consideration be given to the effects of high frequency on the circuit breaker characteristics. Thermal and instantaneous operations must be treated separately.

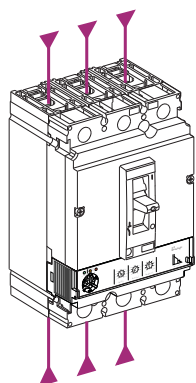
At frequencies below 60 Hz, the thermal derating of PowerPact H and J-frame circuit breakers is negligible. However, at frequencies above 60 Hz, thermal derating is required.

One of the most common high frequency applications is at 400 Hz. For 400 Hz derating information, see Page 27.

For more information, refer to Data Bulletin 0100DB0101, *Determining Current Carrying Capacity in Special Applications*.

Installation in Equipment

Power from the Top or Bottom



PowerPact H-, J-, and L-frame circuit breakers with factory-sealed trip units can be supplied from either the top or the bottom without any reduction in performance. This capability facilitates connection when installed in end-use equipment.

All connection and insulation accessories can be used on circuit breakers supplied either from the top or bottom.

Weight

The table below presents the weights of the circuit breakers and the main accessories, which must be summed to obtain the total weight. The values are valid for all performance categories.

Table 140: Weights

Type of Device	Poles	Circuit Breakers	Base	Cradle	Motor Operator
H-frame, 100 A	2	3.95 lbs. (1.79 kg)	1.75 lbs. (0.8 kg)	4.85 lbs. (2.2 kg)	2.65 lbs. (1.2 kg)
	3	4.52 lbs. (2.05 kg)	1.75 lbs. (0.8 kg)	4.85 lbs. (2.2 kg)	2.65 lbs. (1.2 kg)
H-frame, 150 A	2	4.08 lbs. (1.85 kg)	1.75 lbs. (0.8 kg)	4.85 lbs. (2.2 kg)	2.65 lbs. (1.2 kg)
	3	4.85 lbs. (2.2 kg)	1.75 lbs. (0.8 kg)	4.85 lbs. (2.2 kg)	2.65 lbs. (1.2 kg)
J-frame, 250 A	3	5.29 lbs. (2.4 kg)	1.75 lbs. (0.8 kg)	4.85 lbs. (2.2 kg)	2.65 lbs. (1.2 kg)
L-frame, 600 A	3	13.65 lbs. (6.19 kg)	5.29 lbs. (2.4 kg)	4.85 lbs. (2.2 kg)	6.17 lbs. (2.8 kg)
	4	17.92 lbs. (8.13 kg)	6.17 lbs. (2.8 kg)	4.85 lbs. (2.2 kg)	6.17 lbs. (2.8 kg)

Safety Clearances and Minimum Distances

General Rules

When installing a circuit breaker, minimum distances (safety clearances) must be maintained between the device and panels, bars and other protection devices installed nearby. These distances, which depend on the voltage, are defined by tests carried out in accordance with UL standards.

If installation is not checked by type tests, it is also necessary to:

- use insulated bars for circuit-breaker connections
- segregate the busbars using phase barriers

For PowerPact H-, J-, and L-frame devices, terminal shields and interphase barriers are recommended and may be mandatory depending on the operating voltage of the device and type of installation (unit-mount, drawout, etc.).

Power Connections

The table below indicates the connection requirements for PowerPact H-, J-, and L-frame devices to ensure insulation of live parts for the various types of connection.

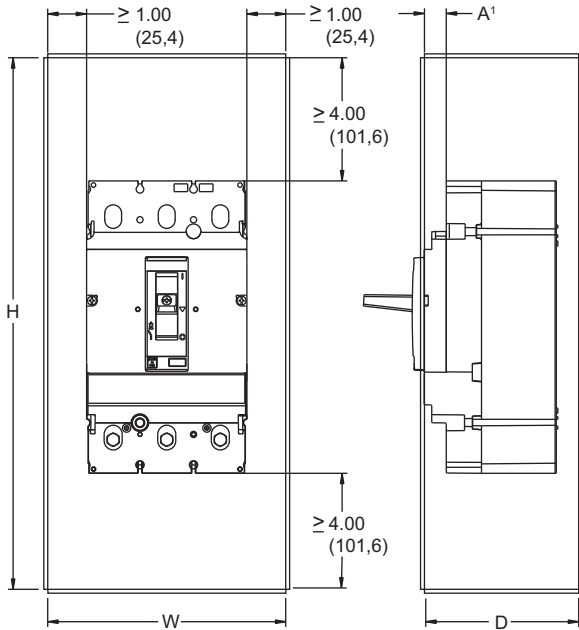
- unit-mount devices with front connection or rear connection
- plug-in or drawout devices.

Connection accessories such as crimp lugs, terminal extensions (straight, right-angle, double-L and 45°) and spreaders are supplied with interphase barriers. Long terminal shields provide a degree of protection of IP40 (ingress).

PowerPact H-, J-, and L-Frame Circuit Breakers Installation Recommendations

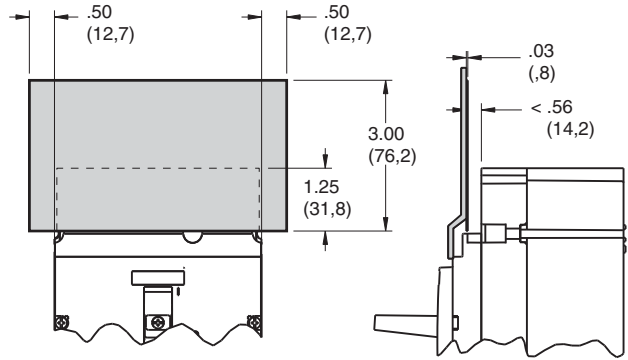
Safety Clearance

Safety Clearances



If dimension A < 0.56 in. for H- and J-frame circuit breaker, attach fiber insulating plate, not provided, to enclosure cover.

H- and J-Frame Fiber Insulating Plate



Dimensions: in.
(mm)

Control Wiring

Remote Tripping by Undervoltage Trip (MN) or Shunt Trip (MX)

Power requirements are approximately:

- 30 VA for pick-up of the undervoltage trip (MN) and shunt trip (MX)
- 300–500 VA for the motor operator.

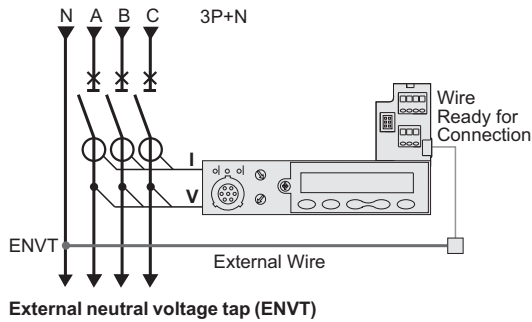
Table 141: Recommended Maximum Cable Lengths¹

Power Supply Voltage (Vdc)		12 Vdc		24 Vdc		48 Vdc	
Cable cross-section		16 AWG (1.5 mm ²)	14 AWG (2.5mm ²)	16 AWG (1.5 mm ²)	14 AWG (2.5mm ²)	16 AWG (1.5 mm ²)	14 AWG (2.5mm ²)
Undervoltage Trip (MN)	V source 100%	49 ft. (15 m)	—	525 ft. (160 m)	—	2100 ft. (640 m)	—
	V source 85%	23 ft. (7 m)	—	131 ft. (40 m)	—	525 ft. (160 m)	—
Shunt Trip (MX)	V source 100%	197 ft. (60 m)	—	787 ft. (240 m)	—	3150 ft. (960 m)	—
	V source 85%	98 ft. (30 m)	—	394 ft. (120 m)	—	1575 ft. (480 m)	—
Motor Operator	V source 100%	—	—	33 ft. (10 m)	52 ft. (16 m)	213 ft. (65 m)	361 ft. (110 m)
	V source 85%	—	—	6.6 ft. (2 m)	13 ft (4 m)	56 ft. (17 m)	82 ft. (25 m)

¹ The indicated length is that of each of the two wires.

PowerPact H-, J-, and L-Frame Circuit Breakers Installation Recommendations

External Neutral Voltage Tap (ENVT)

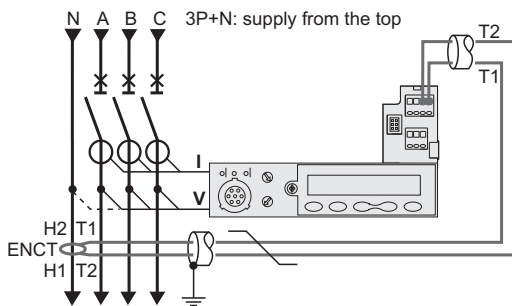


This connection is required for accurate power measurements on three-pole circuit breakers equipped with Micrologic 5/6 E trip units in installations with a distributed neutral. It can be used to measure phase-neutral voltages and calculate power using the 3 wattmeter method.

PowerPact H-, J-, and L-frame three-pole circuit breakers come with a wire installed on the device for the connection to the ENVT. This wire is equipped with a connector for connection to an external wire with:

- cross-sectional area of 18–14 AWG (1 mm² to 2.5 mm²)
- maximum length of 32.8 ft. (10 m).

External Neutral Current Transformer (ENCT)



This connection is required to protect the neutral on three-pole circuit breakers equipped with Micrologic 5/6 A or E trip units in installations with a distributed neutral. For Micrologic 6 A or E, it is required for ground-fault protection.

The ENCT is connected in the same way for unit-mount, plug-in or drawout devices:

- unit-mount devices are connected using terminals T1 and T2 of the internal terminal block.
- plug-in and drawout devices are not connected using the auxiliary terminals.

The wires must be connected/disconnected inside the devices using terminals T1 and T2.

The ENCT must be connected to the Micrologic trip unit by a shielded twisted pair. The shielding should be connected to the enclosure earth only at the CT end, no more than 12 in. (30 cm) from the CT.

- the power connections of the CT to the neutral (H2 and H1) must be made in the same way for power supply from the top or the bottom (see figure). Make sure they are not reversed for devices with power supply from the bottom.
- cross-sectional area of 22–16 AWG (0.4 mm² to 1.5 mm²)
- maximum length of 32.8 ft. (10 m).

PowerPact H-, J-, and L-Frame Circuit Breakers

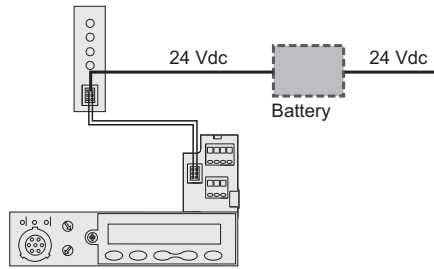
Installation Recommendations

24 Vdc Power Supply Module

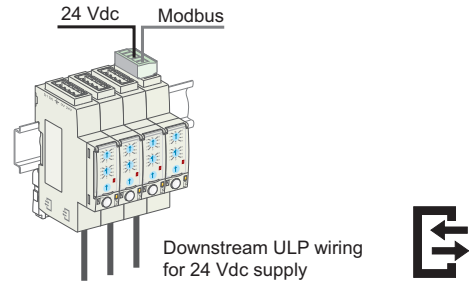
An external 24 Vdc power supply is required for installations with communication networks, regardless of the type of trip unit.

On installations without communication networks, the power supply is available as an option for Micrologic 5/6 to:

- modify settings when the circuit breaker is open (OFF position)
- display measurements when the current flowing through the circuit breaker is low
- maintain the display of the cause of tripping



Power supply, without the communication function, using the terminal block with a backup battery.

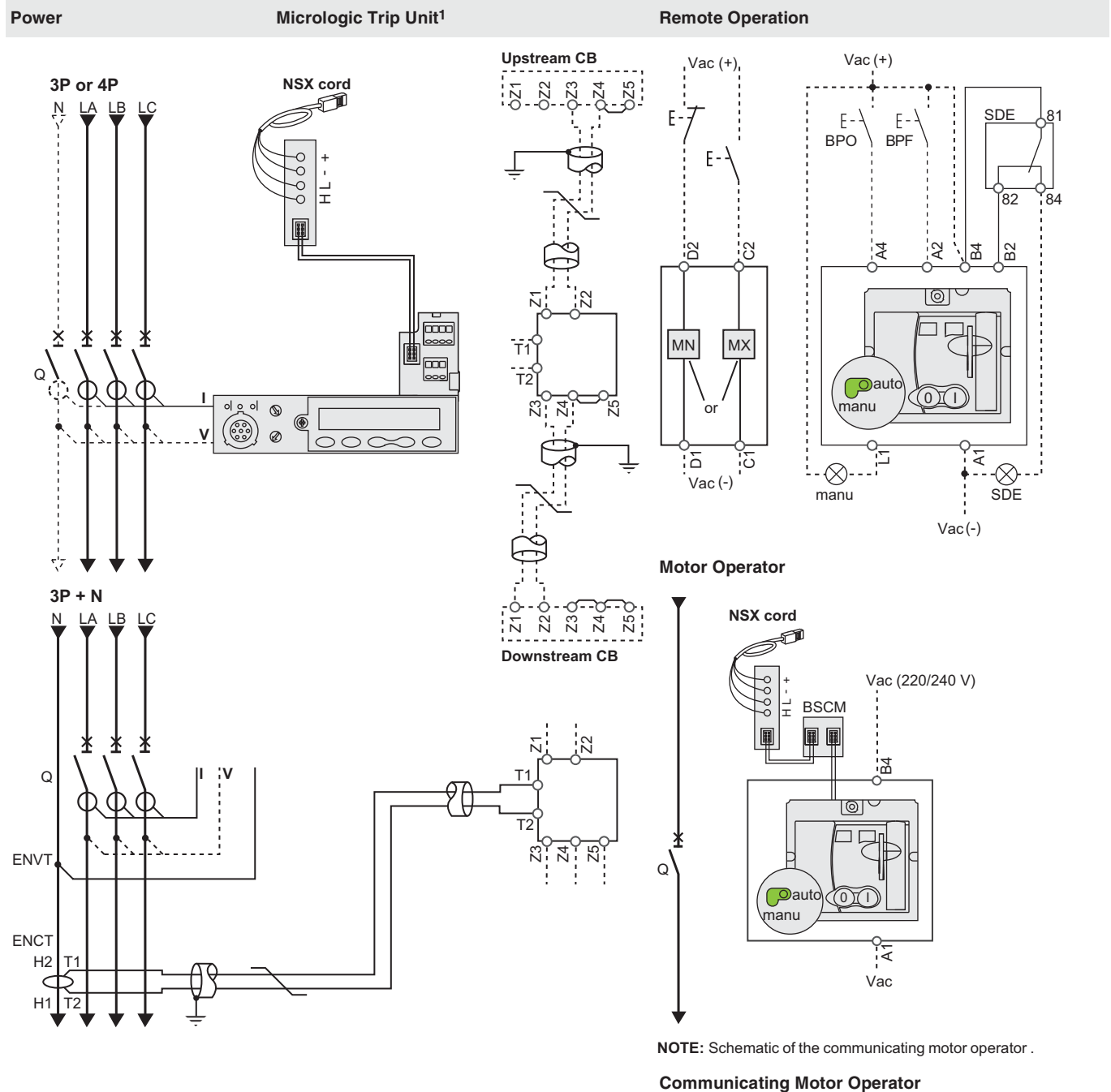


Power supply, with the communication function, using the Modbus interface.

To determine power requirements of devices, see page 90.

Section 12—Wiring Diagrams

Unit-Mount Circuit Breakers



NOTE: Schematic of the communicating motor operator .

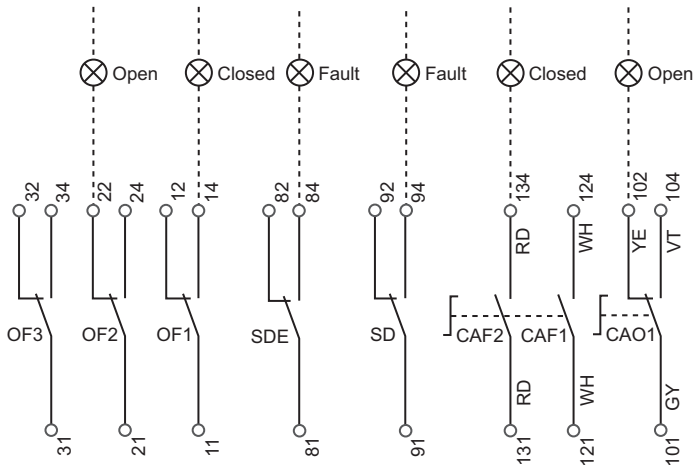
Communicating Motor Operator

Continued on next page

PowerPact H-, J-, and L-Frame Circuit Breakers Wiring Diagrams

Unit-Mount Circuit Breakers *(continued)*

Indication Contacts



The diagram is shown with circuits de-energized, relays in normal position, and all devices open, connected, and charged. Terminal connections shown as O must be connected by the customer.

Micrologic Trip Unit A or E

	Communication
A/E	H (WH), L(BL): data -(BK), +(RD): 24 Vdc power supply
ZSI (Zone Selective Interlocking)	
	Z1: ZSI OUT SOURCE
	Z2: ZSI OUT
A/E	Z3: ZSI IN SOURCE
	Z4: ZSI IN ST (short time)
	Z5: ZSI IN GF (ground fault)
	(Z3, Z4, and Z5 for L-frame circuit breaker only)
A/E	ENCT: External Neutral Current Transformer: -Shielded cable with 1 twisted pair (T1, T2) -Shielding earthed at CT end only -Connection L = 12 in. (30 cm) max. -Maximum length of 33 ft. (10 m) -Cable size of 22 AWG -Recommended cable: Belden 9451SB or equivalent
E	ENVT: External Neutral Voltage Tap for Connection to the Neutral using a Three-Pole Circuit Breaker

Color Code for Auxiliary Wiring

RD: Red	VI: Violet
WH: White	GY: Gray
YE: Yellow	OR: Orange
BK: Black	BL: Blue
GN: Green	

Remote Operation

MN Undervoltage Release

or

MX Shunt Release

Motor Operator

A4 Opening Order

A2 Closing Order

B4, A1 Power Supply to Motor Operator

L1 Manual Position (manu)

B2 Overcurrent Trip Switch Interlocking (mandatory for correct operation)

BPO Opening Pushbutton

BPF Closing Pushbutton

Communicating Motor Operator

B4, A1 Motor Operator Power Supply

BSCM Breaker Status and Control Module

Indication Contacts

OF2/OF1 Device ON/OFF Auxiliary Switches

OF3 Device ON/OFF Auxiliary Switches (L-Frame)

SDE Overcurrent Trip Switch
(short-circuit, overload, ground fault, earth leakage)

SD Alarm Switch

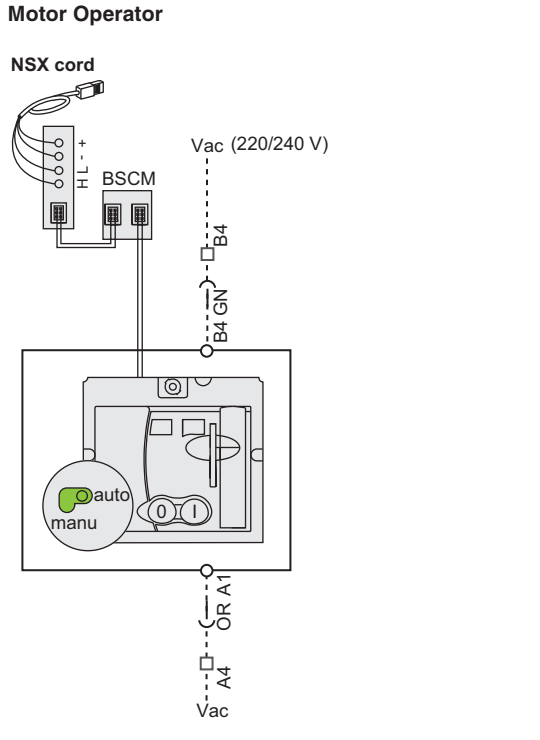
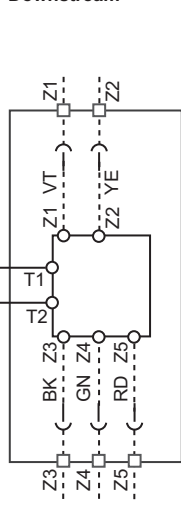
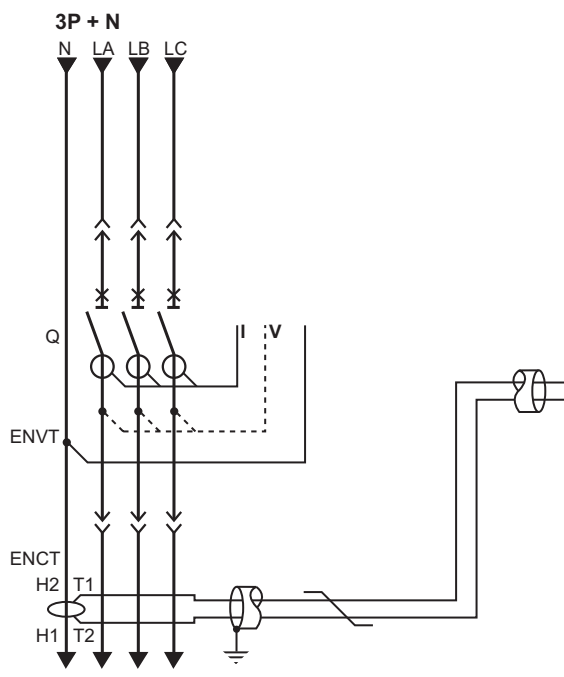
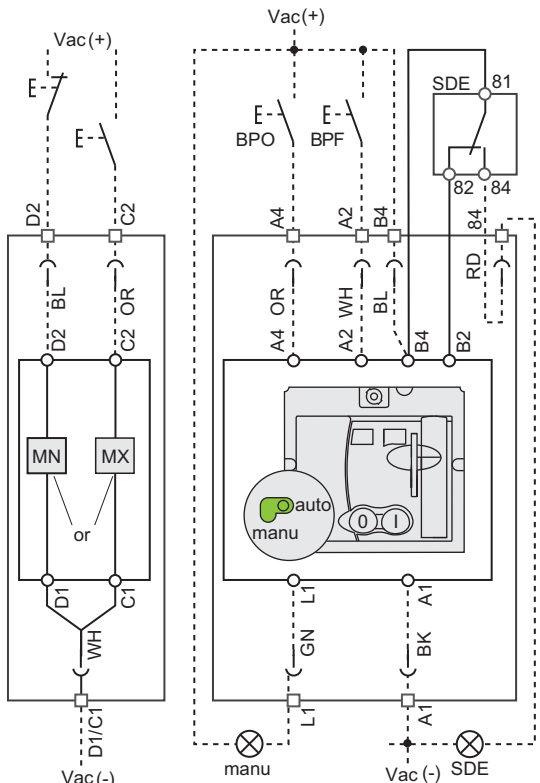
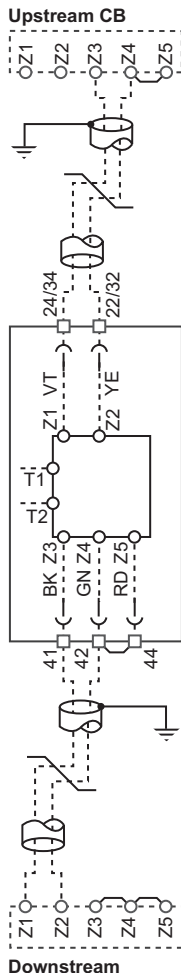
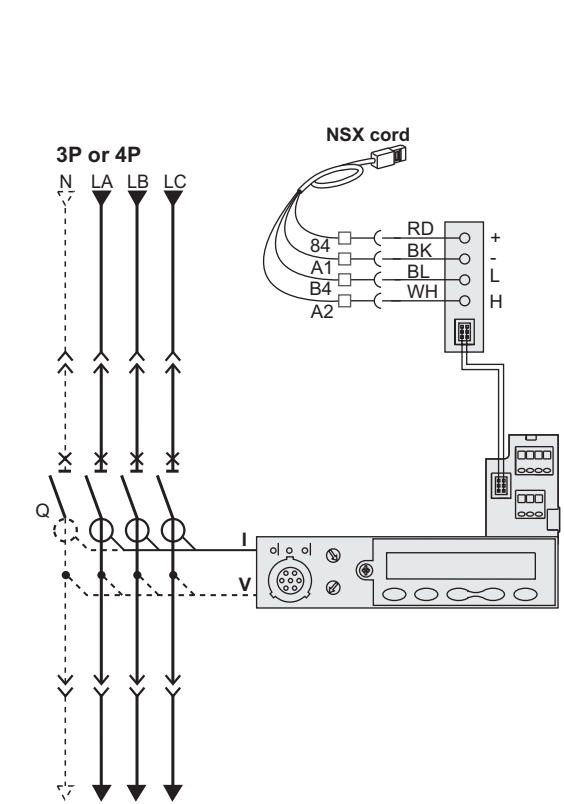
CAF2/CAF1 Early-Make Contact (rotary handle only)

CAO1 Early-Break Contact (rotary handle only)

PowerPact H-, J-, and L-Frame Circuit Breakers Wiring Diagrams

Plug-In and Drawout Circuit Breakers

Power	Micrologic Trip Unit	Remote Operation
-------	----------------------	------------------



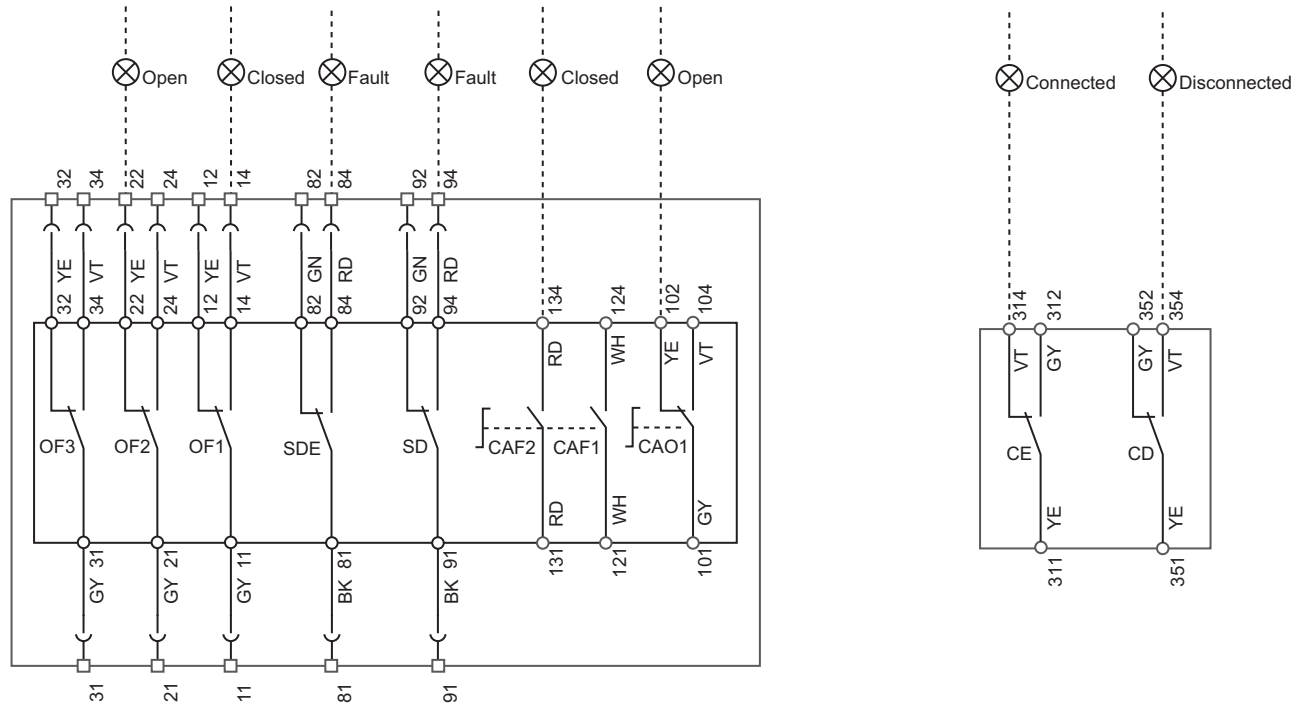
Communicating Motor Operator

Continued on next page

PowerPact H-, J-, and L-Frame Circuit Breakers Wiring Diagrams

Plug-In and Drawout Circuit Breakers *(continued)*

Indication Contacts Carriage Switches



The diagram is shown with circuits de-energized, relays in normal position, and all devices open, connected, and charged.

Terminal connections shown as □ and ○ must be connected by the customer.

Micrologic Trip Unit A or E

	Communication
A/E	H (WH), L(BL): data -(BK), +(RD): 24 Vdc power supply
ZSI (Zone Selective Interlocking)	
	Z1: ZSI OUT SOURCE Z2: ZSI OUT
A/E	Z3: ZSI IN SOURCE Z4: ZSI IN ST (short time) Z5: ZSI IN GF (ground fault) (Z3, Z4, and Z5 for L-frame circuit breaker only)
A/E	ENCT: External Neutral Current Transformer: -Shielded cable with 1 twisted pair (T1, T2) -Shielding earthed at CT end only Connection L = 12 in. (30 cm) max. -Maximum length of 33 ft. (10 m) -Cable size of 22 AWG -Recommended cable: Belden 9451SB or equivalent
E	ENVV: External Neutral Voltage Tap for Connection to the Neutral using a Three-Pole Circuit Breaker

Color Code for Auxiliary Wiring

RD: Red	VI: Violet
WH: White	GY: Gray
YE: Yellow	OR: Orange
BK: Black	BL: Blue
GN: Green	

Remote Operation

MN	Undervoltage Release
or	
MX	Shunt Release

Motor Operator

A4	Opening Order
A2	Closing Order
B4, A1	Power Supply to Motor Operator
L1	Manual Position (manu)
B2	Overcurrent Trip Switch Interlocking (mandatory for correct operation)
BPO	Opening Pushbutton
BP	Closing Pushbutton

Communicating Motor Operator

B4, A1	Motor Operator Power Supply
BSCM	Breaker Status and Control Module

Indication Contacts

OF2/OF1	Device ON/OFF Auxiliary Switches
OF3	Device ON/OFF Auxiliary Switches (L-Frame)
SDE	Overcurrent Trip Switch (short-circuit, overload, ground fault, earth leakage)
SD	Alarm Switch
CAF2/CAF1	Early-Make Contact (rotary handle only)
CAO1	Early-Break Contact (rotary handle only)

PowerPact H-, J-, and L-Frame Circuit Breakers Wiring Diagrams

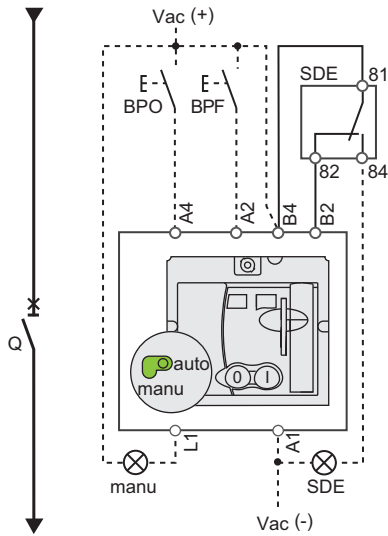
Motor Operator

NOTE: The diagram is shown with circuits de-energized, relays in normal position, and all devices open, connected, and charged.

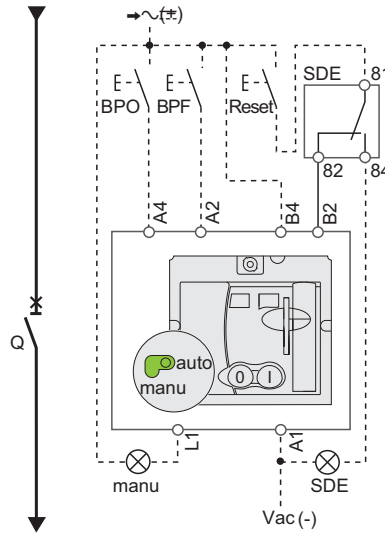
After tripping initiated by the “Push to trip” button, the undervoltage release (MN), or the shunt release (MX), device can be reset automatically, remotely, or manually.

Following tripping due to an electrical fault, reset must be carried out manually.

Motor Operator with Automatic Reset



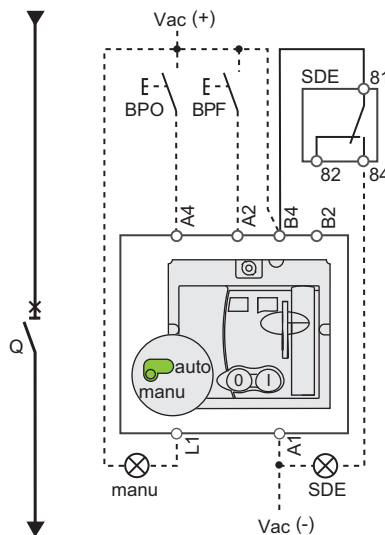
Motor Operator with Remote Reset



Symbols

Q:	Circuit Breaker
A4:	Opening Order
A2:	Closing Order
B4, A1:	Motor Operator Power Supply
L1:	Manual Position (manu)
B2:	Overcurrent Trip Switch Interlocking (mandatory for correct operation)
BPO:	Opening Pushbutton
BPF:	Closing Pushbutton
SDE:	Fault-Trip Indication Contact (short-circuit, overload, ground fault, earth leakage)

Motor Operator with Manual Reset



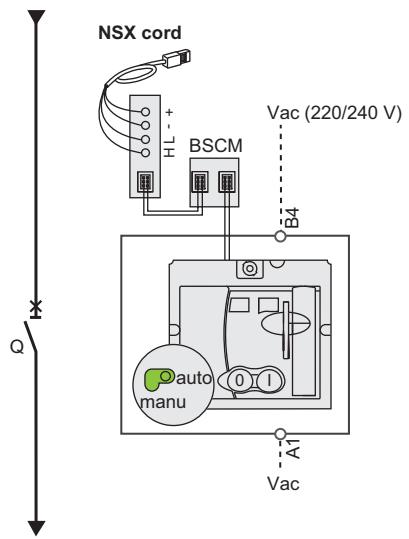
PowerPact H-, J-, and L-Frame Circuit Breakers Wiring Diagrams

Motor Operator (continued)

Symbols

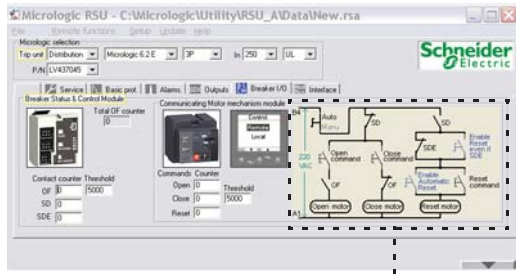
- Q:** Circuit Breaker
- B4, A1:** Motor Operator Power Supply
- BSCM:** Breaker Status and Control Module

Communicating Motor Operator

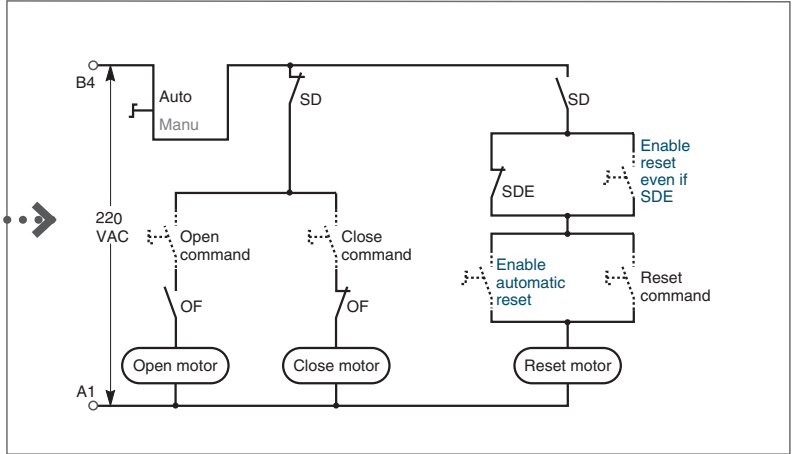


NOTE: Schematic of the communicating motor operator .

RSU Screen for Communicating Motor Operator



RSU utility setup screen for the communicating motor operator



Single-line diagram of communicating motor operator

Opening, closing and reset orders are transmitted through the communication network. The "Enable automatic reset" and "Enable reset even if SDE" parameters must be set using the RSU software using the screen by clicking the blue text.

"Auto/Manu" is a switch on the front of the motor operator.

Terminal connections shown as O must be connected by the customer.

PowerPact H-, J-, and L-Frame Circuit Breakers Wiring Diagrams

SDx Module with Micrologic™ Trip Unit

NOTE: The diagram is shown with circuits de-energized, relays in normal position, and all devices open, connected, and charged.

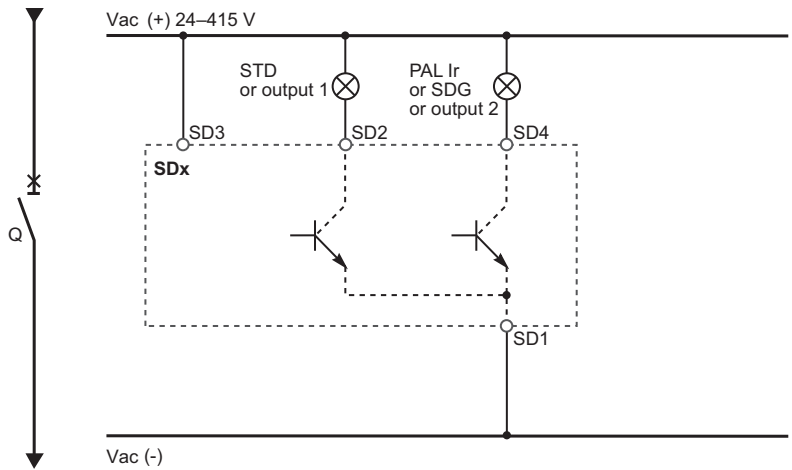
Symbols

- SD1, SD3:** SDx Module Power Supply
- SD2:** Output 1 (80 mA max.)
- SD4:** Output 2 (80 mA max.)

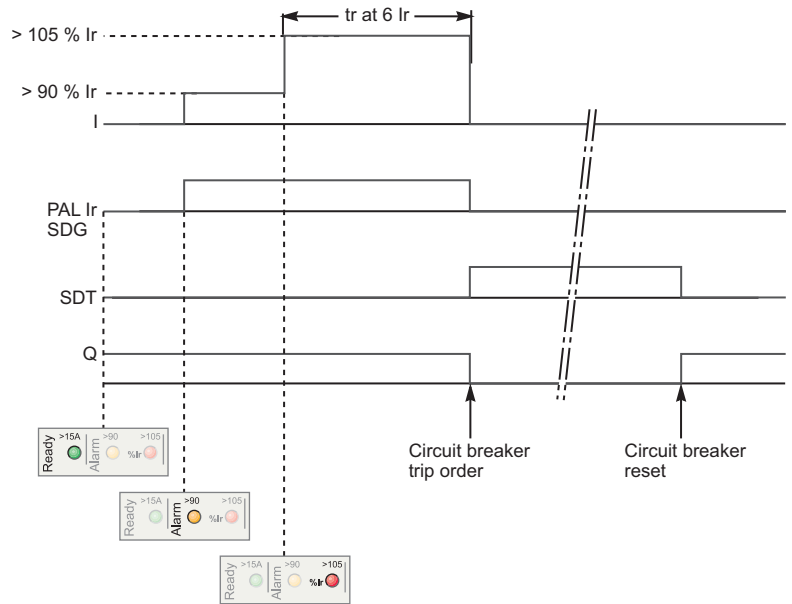
	SD2	SD4
Micrologic 3	SDT	—
Micrologic 5	SDT or Output 1	PAL I _r or Output 2
Micrologic 6	SDT or Output 1	SDG or Output 2

Terminal connections shown as O must be connected by the customer.

Connection



Operation



- I:** Charge Current
- PAL I_r:** Thermal Overload Pre-Alarm
- SDG:** Ground-Fault Signal
- SDT:** Thermal-Fault Signal
- Q:** Circuit Breaker

PowerPact H-, J-, and L-Frame Circuit Breakers

Wiring Diagrams

SDTAM Module with Micrologic M Trip Unit

NOTE: The diagram is shown with circuits de-energized, relays in normal position, and all devices open, connected, and charged.

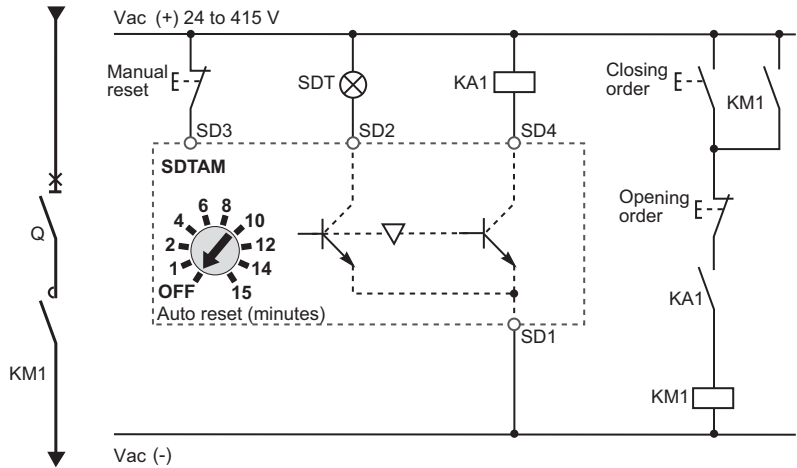
Symbols

- SD1, SD3:** SDTAM Module Power Supply
- SD2:** Thermal Fault Signal (80 mA max.)
- SD4:** Contactor Control Output (80 mA max.)

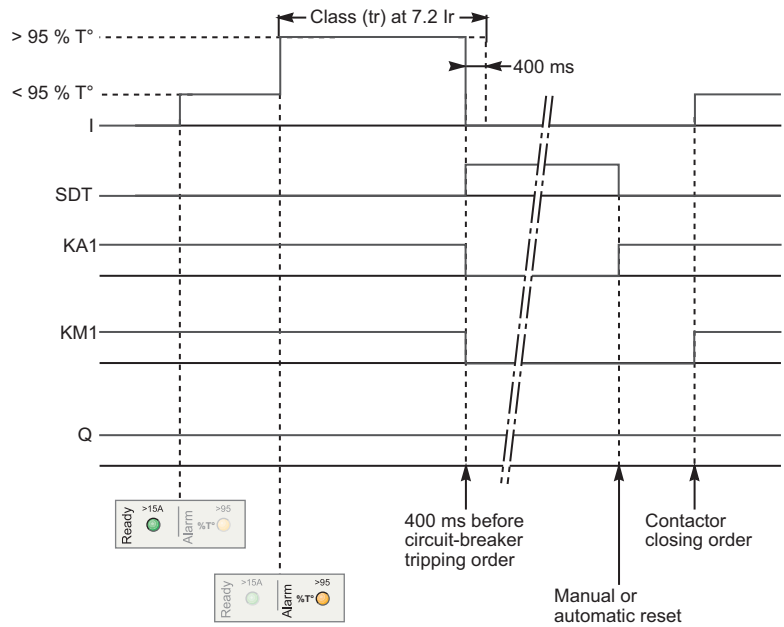
	SD2	SD4
Micrologic 2 M	SDT	KA1

Terminal connections shown as O must be connected by the customer.

Connection



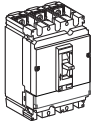
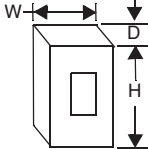
Operation



- I:** Charge Current
- SDT:** Thermal Fault Signal
- KA1:** Auxiliary Relay (RBN or RTBT Relay)
- KM1:** Motor Contactor
- Q:** Circuit Breaker

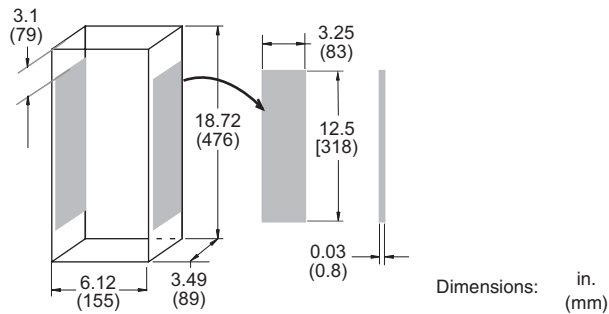
Section 13—Circuit Breaker Dimensions

Table 142: Enclosure Dimensions

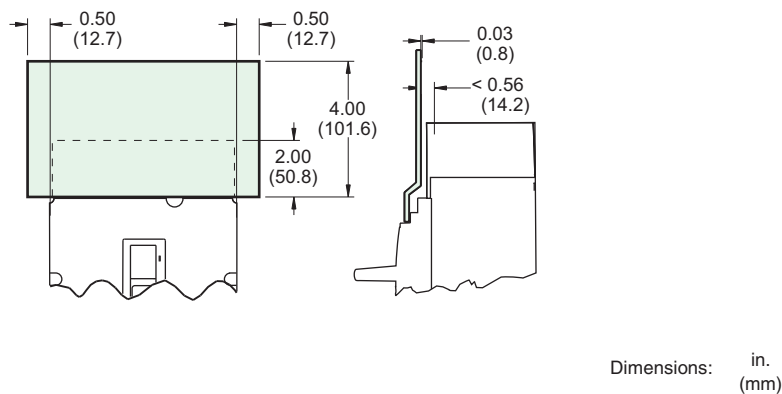
		H x W x D	
		Standard (80%) Rated	100% Rated
			
HD/HG/HJ/HL	15–150 A	15.6 x 6.12 x 3.49 in. (396 x 155 x 89 mm)	15.6 x 6.12 x 3.49 in. (396 x 155 x 89 mm)
HR		18.13 x 8.63 x 4.13 in. (461 x 219 x 105 mm)	62 x 22.5 x 14 in. (1575 x 572 x 356 mm)
JD/JG/ JJ/JL ¹	150–250 A	18.72 x 6.12 x 3.49 in. (476 x 155 x 89 mm)	18.72 x 6.12 x 3.49 in. (476 x 155 x 89 mm)
JR		28.5 x 12.38 x 5.38 in. (724 x 314 x 137 mm)	62 x 22.5 x 14 in. (1575 x 572 x 356 mm)
LD/LG/LJ/ LL	250–600 A	35.48 x 12.00 x 4.45 in. (901 x 305 x 113 mm)	35.48 x 12.00 x 4.45 in. (901 x 305 x 113 mm)
LR		40.5 x 13.75 x 4.33 in. (1030 x 350 x 110 mm)	40.5 x 13.75 x 4.33 in. (1030 x 350 x 110 mm)

¹ Minimum enclosure insulation required if circuit breaker side < 4.13 in. (105 mm) from metal.

J-Frame Minimum Enclosure Insulation



L-Frame Minimum Enclosure Insulation for Rear Connection



PowerPact H-, J-, and L-Frame Circuit Breakers

Circuit Breaker Dimensions

PowerPact™ H-Frame Circuit Breakers

Figure 13: 15–150 A Bus Bar PowerPact H-Frame Two-Pole HD/HG Thermal-Magnetic Only Circuit Breaker

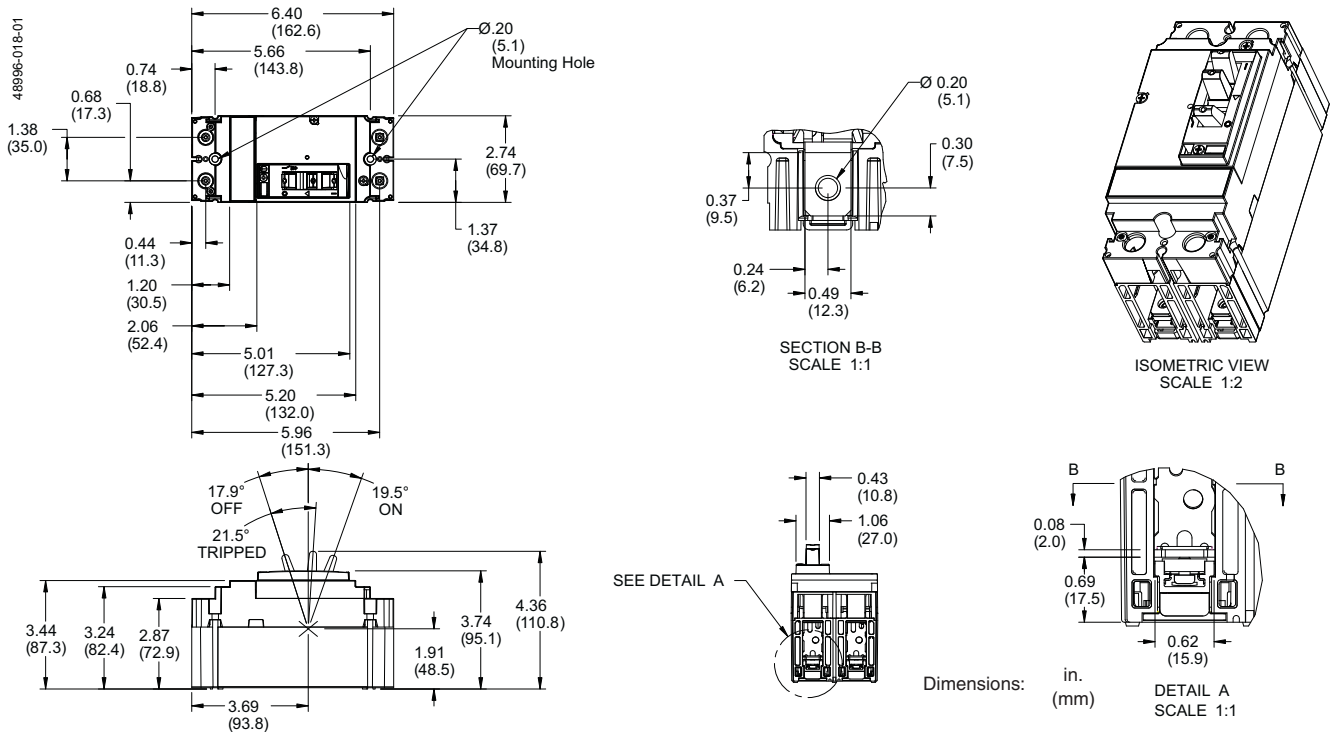
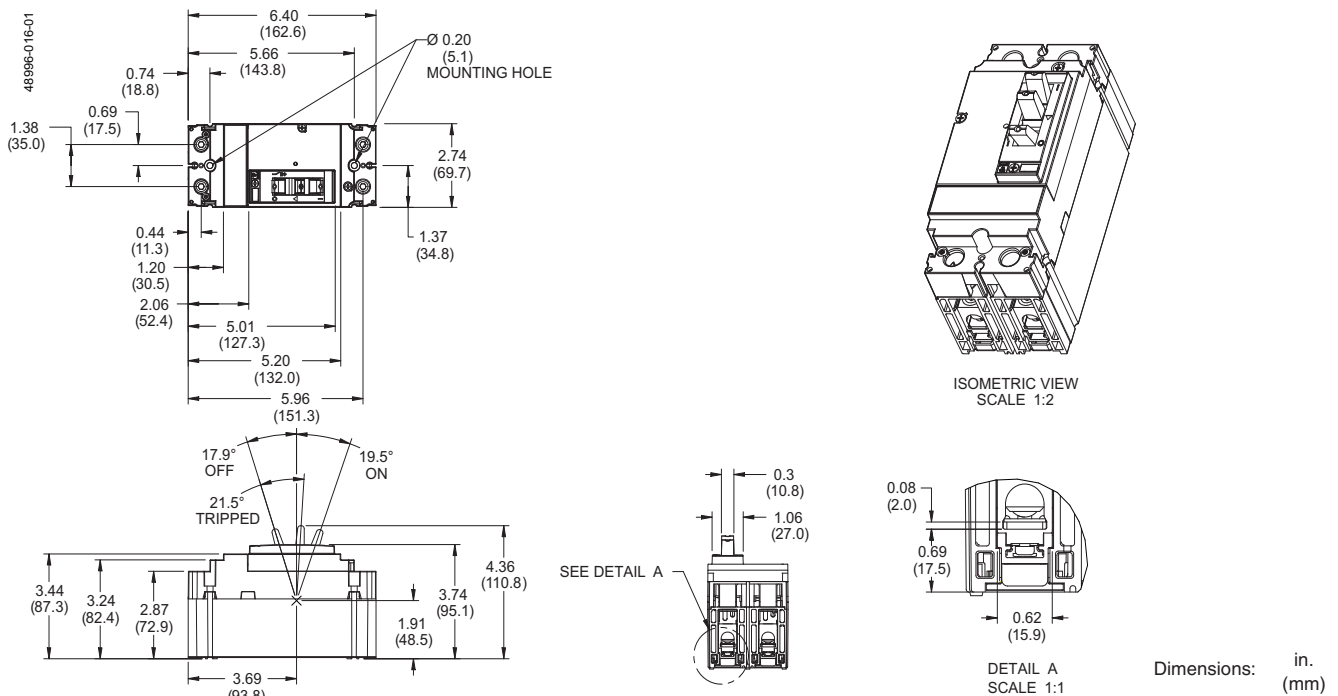


Figure 14: 15–150 A Unit Mount PowerPact H-Frame Two-Pole HD/HG Thermal-Magnetic Only Circuit Breaker



PowerPact H-, J-, and L-Frame Circuit Breakers Circuit Breaker Dimensions

Figure 15: 15–150 A Bus Bar PowerPact H-Frame Three-Pole Circuit Breaker

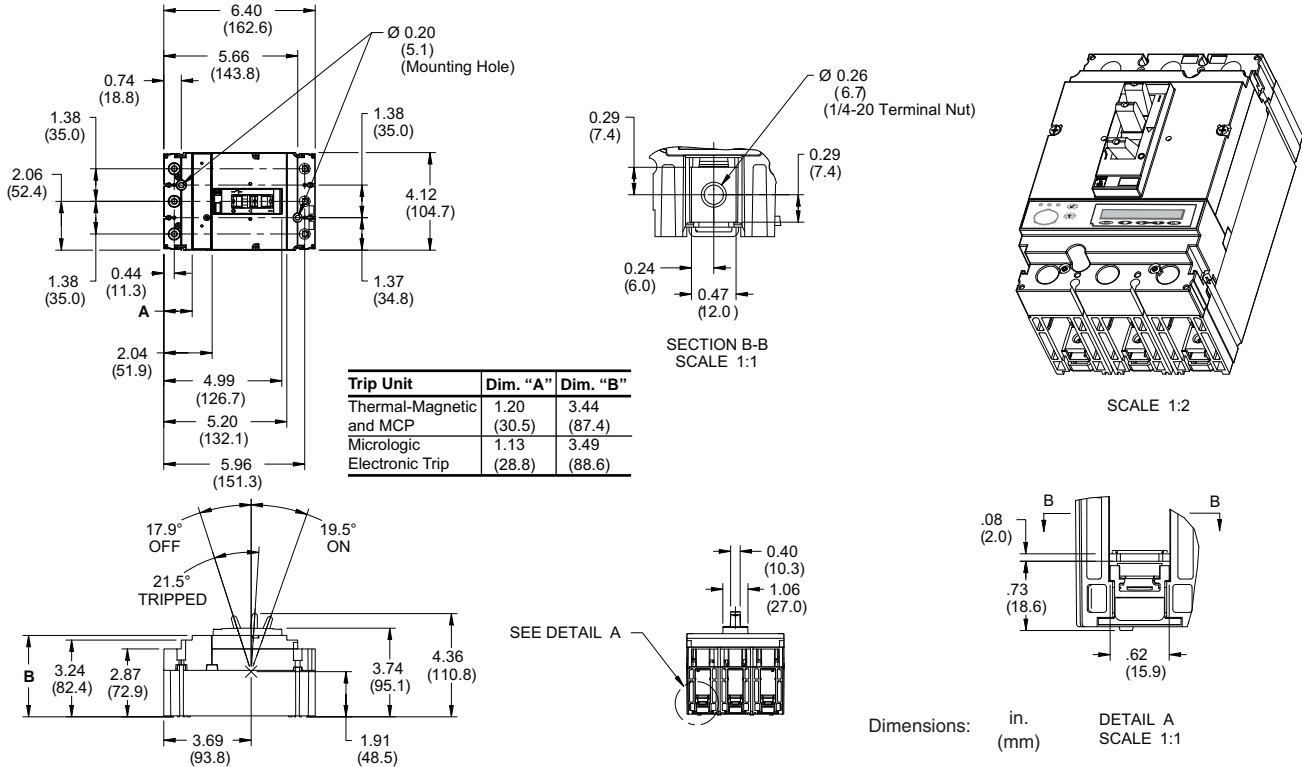
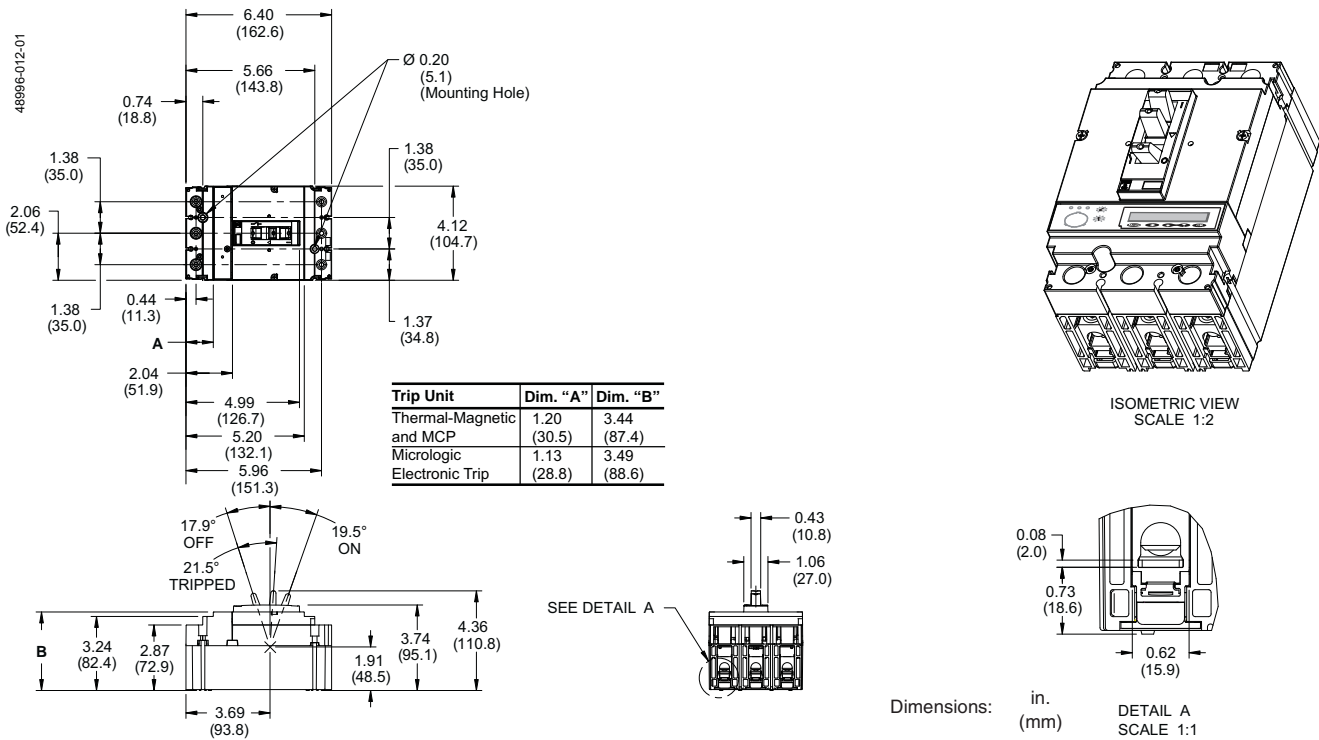


Figure 16: 15–150 A Lug-Lug PowerPact H-Frame Three-Pole Circuit Breaker



PowerPact H-, J-, and L-Frame Circuit Breakers

Circuit Breaker Dimensions

Figure 17: 15–150 A Rear Connected PowerPact H-Frame Three-Pole Circuit Breaker

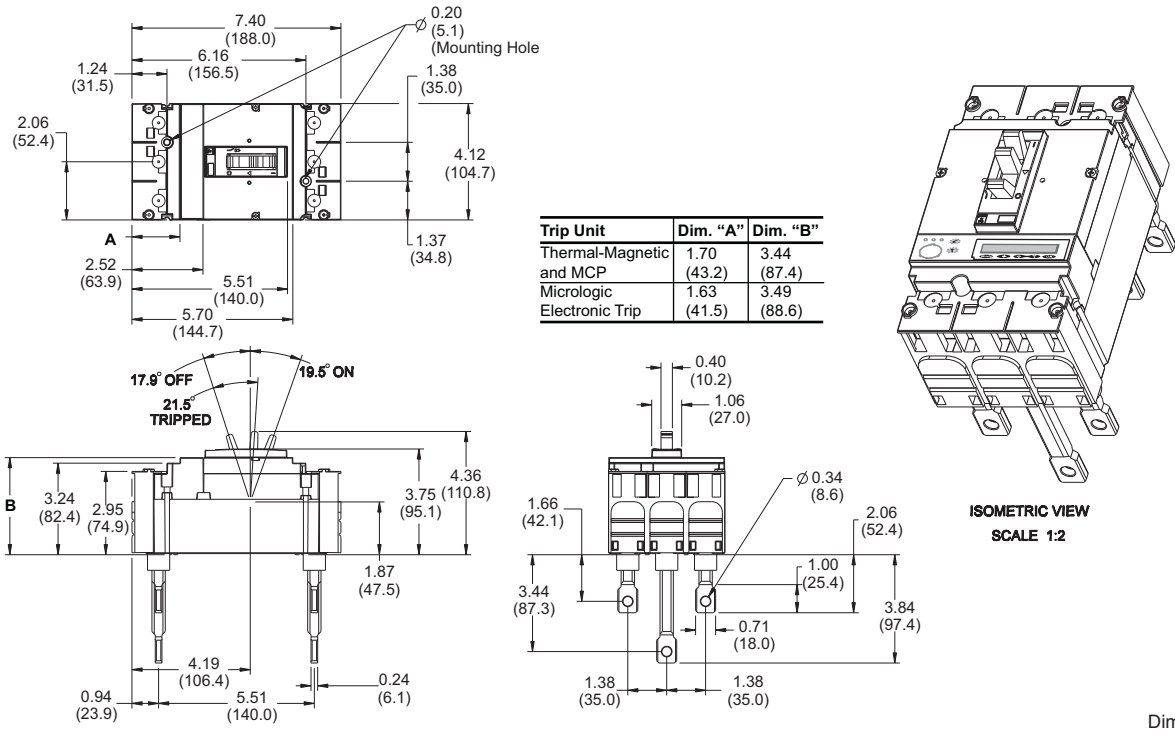


Figure 18: Motor Operator Detail (PowerPact H-Frame Circuit Breaker)

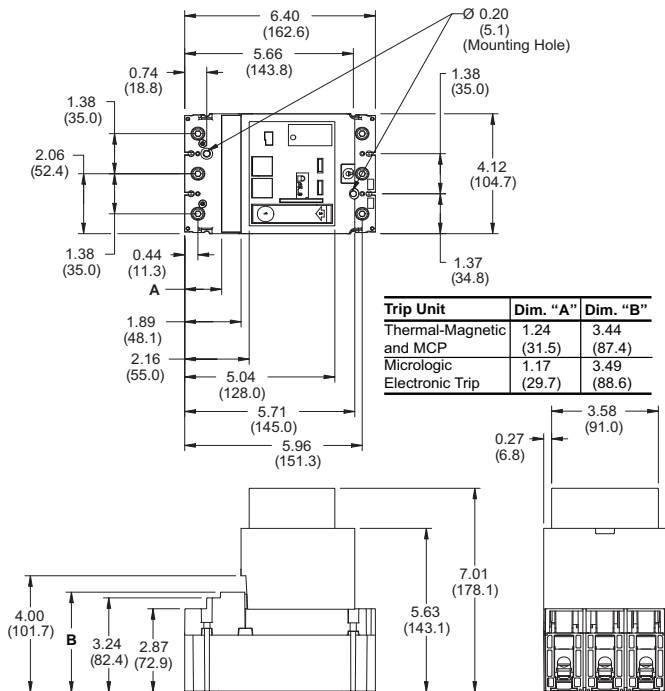
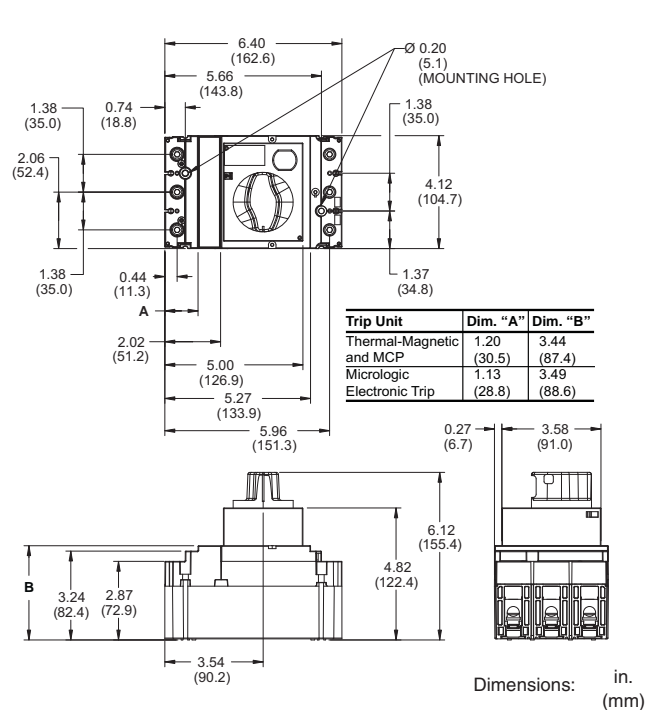


Figure 19: Rotary Handle Detail (PowerPact H-Frame Circuit Breaker)



PowerPact H-, J-, and L-Frame Circuit Breakers Circuit Breaker Dimensions

PowerPact J-Frame Circuit Breakers

Figure 20: 150–250 A Bus Bar PowerPact J-Frame Three-Pole Circuit Breaker

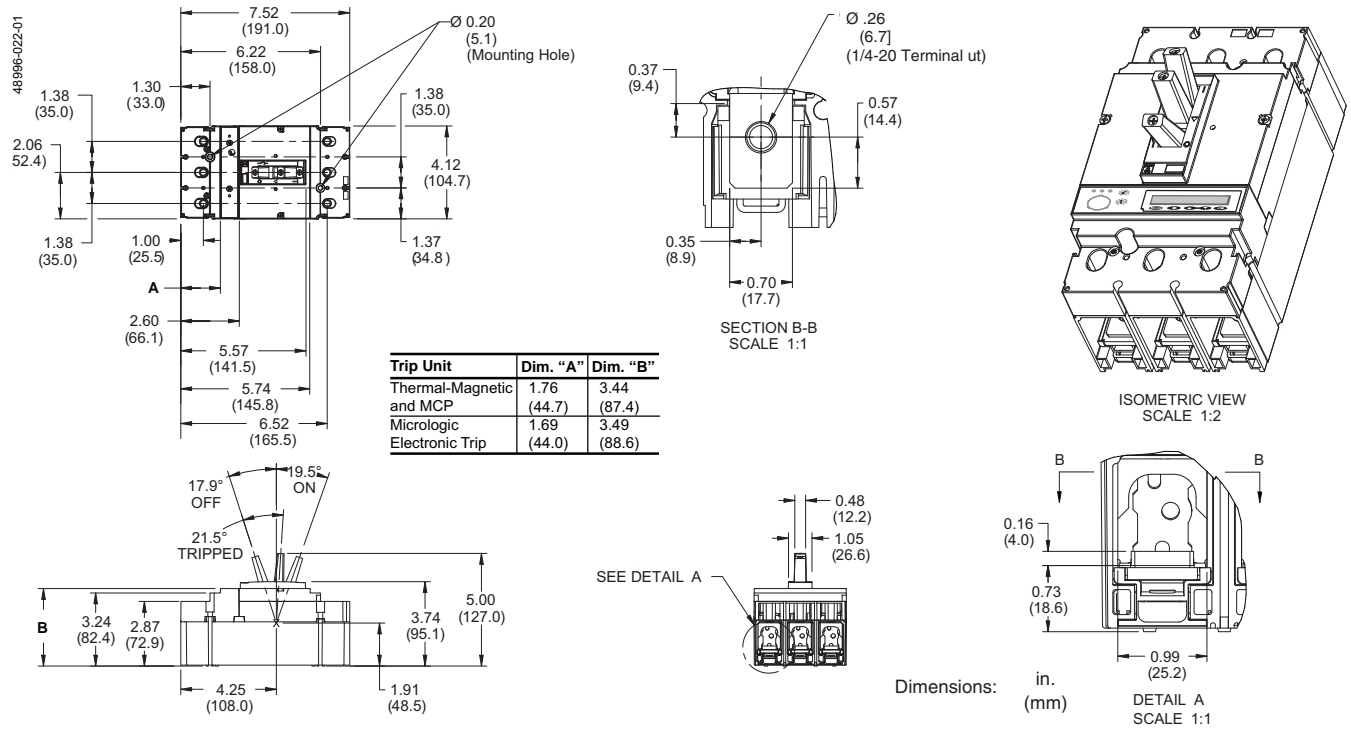
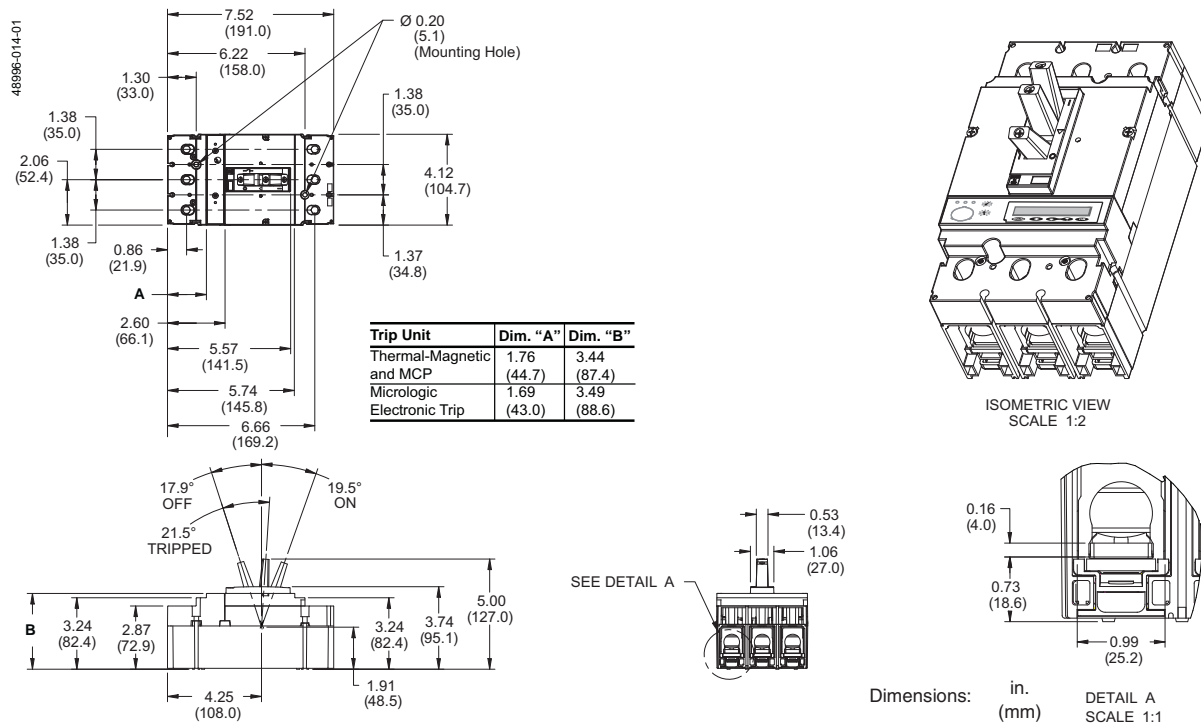


Figure 21: 150–250 A Lug-Lug PowerPact J-Frame Three-Pole Circuit Breaker



PowerPact H-, J-, and L-Frame Circuit Breakers

Circuit Breaker Dimensions

Figure 22: 150–250 A Rear Connected PowerPact J-Frame Three-Pole Circuit Breaker

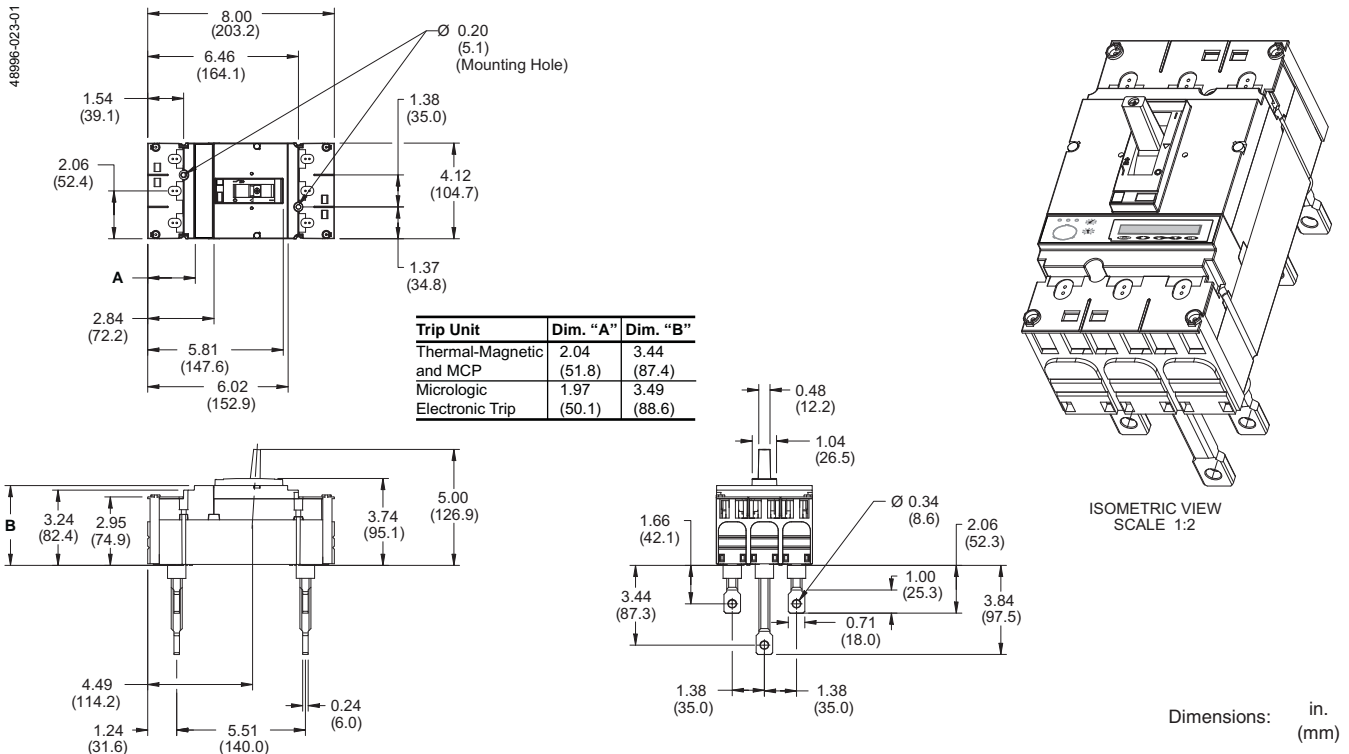


Figure 23: Motor Operator Detail (PowerPact J-Frame Circuit Breaker)

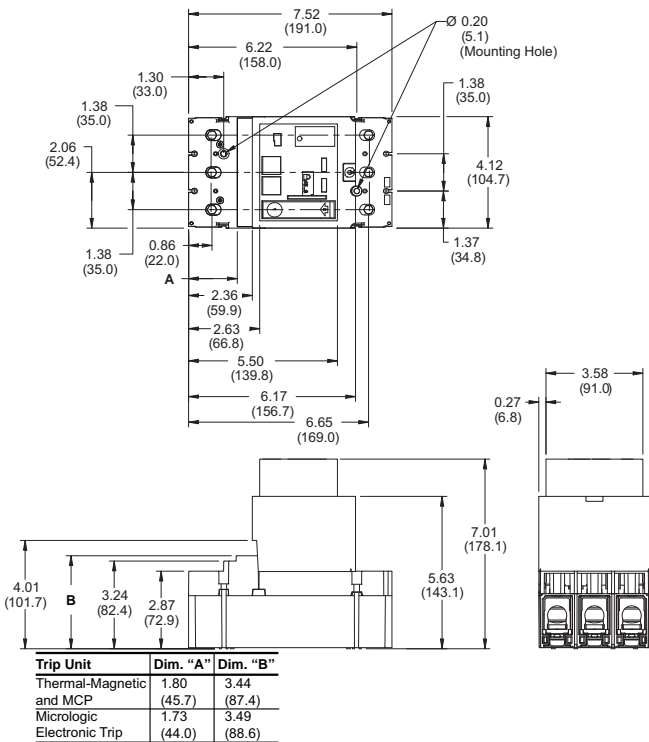
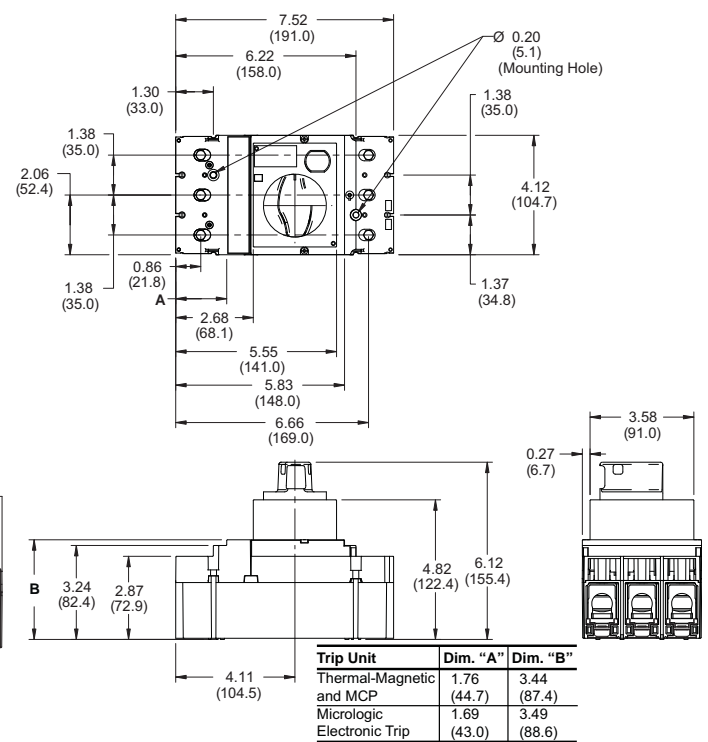


Figure 24: Rotary Handle Detail (PowerPact J-Frame Circuit Breaker)



PowerPact H-, J-, and L-Frame Circuit Breakers Circuit Breaker Dimensions

PowerPact H- and J-Frame Plug-In Circuit Breakers

Figure 25: 15–250 A PowerPact H- and J-Frame Three-Pole Circuit Breaker Plug-In Base

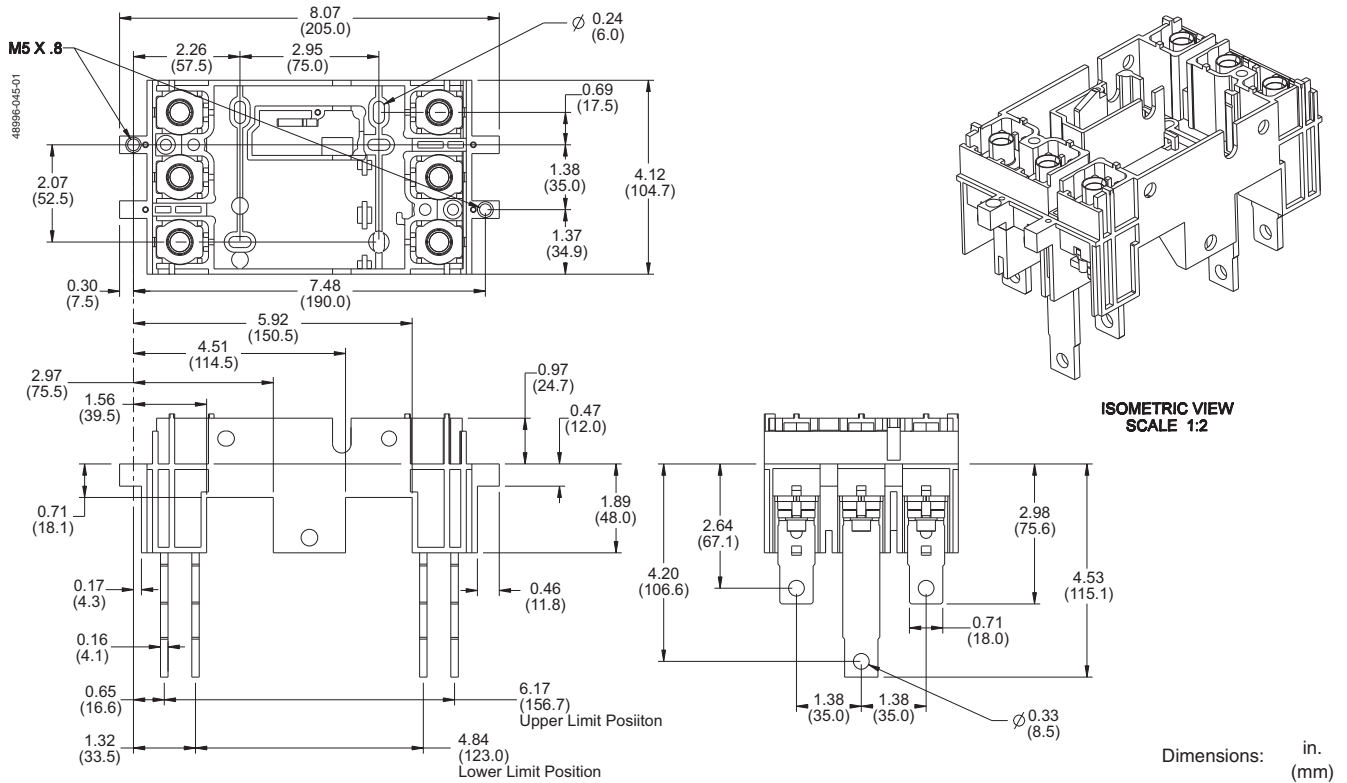
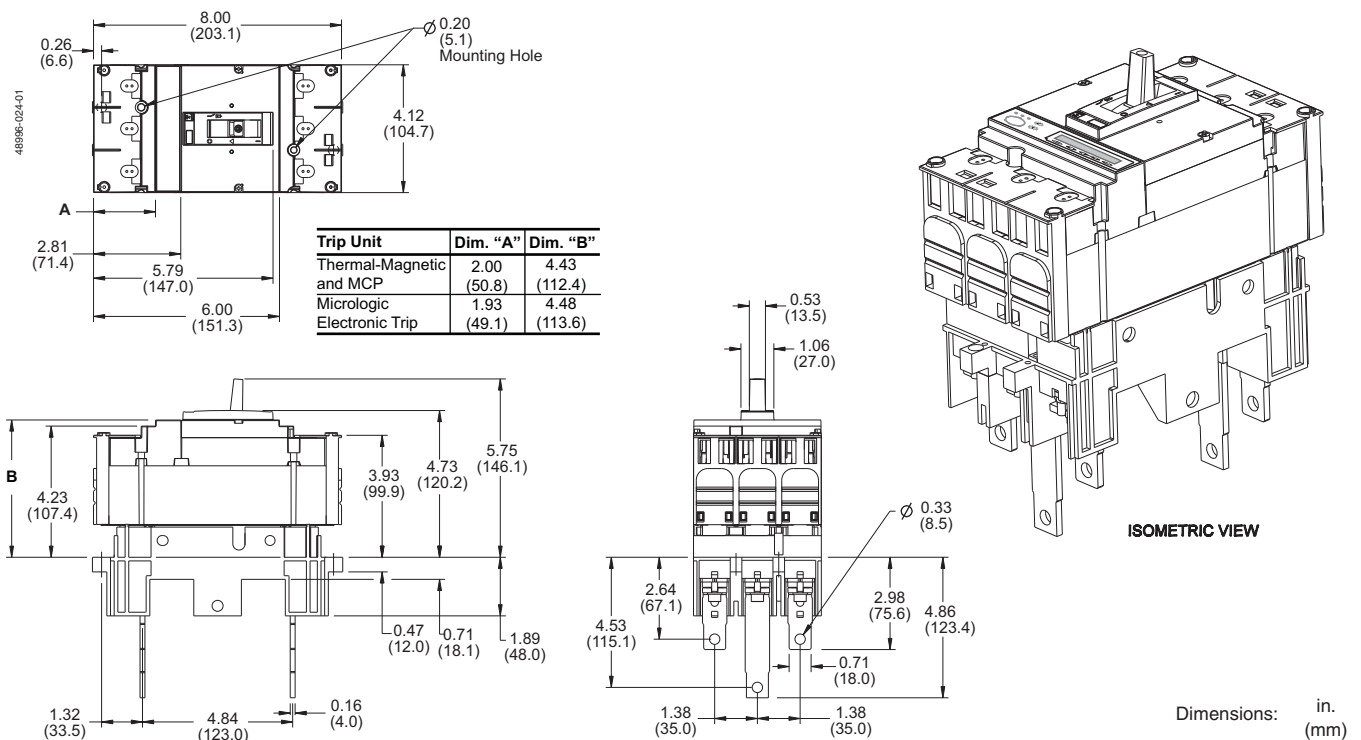


Figure 26: 15–250 A PowerPact H- and J-Frame Plug-In Three-Pole Circuit Breaker



PowerPact H-, J-, and L-Frame Circuit Breakers

Circuit Breaker Dimensions

PowerPact H- and J-Frame Drawout Circuit Breakers

Figure 27: 15–250 A PowerPact H- and J-Frame Three-Pole Circuit Breaker Cradle

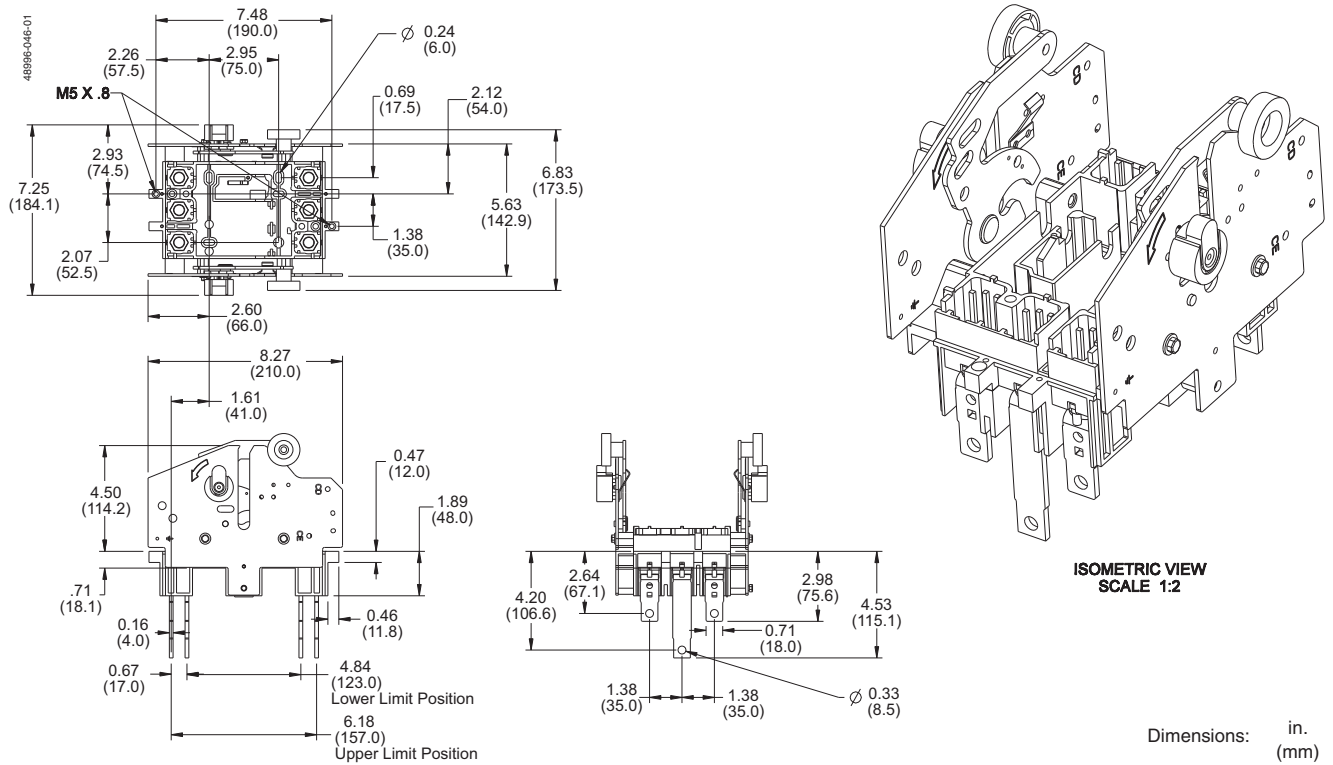
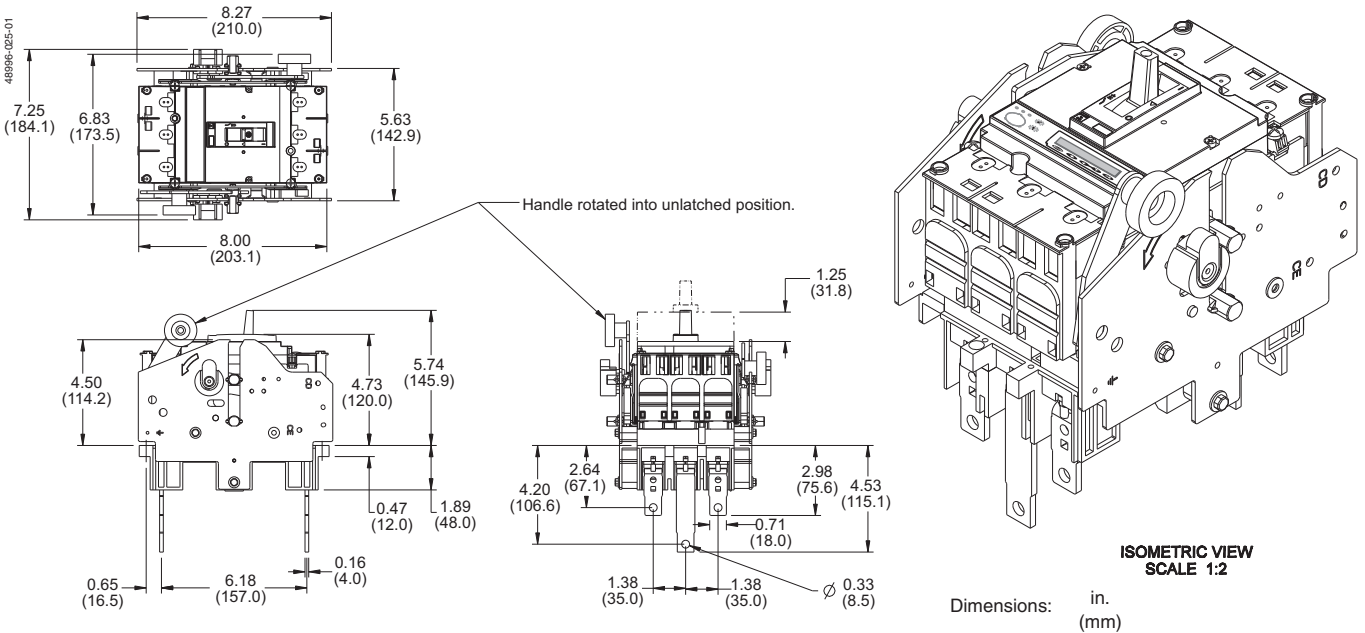


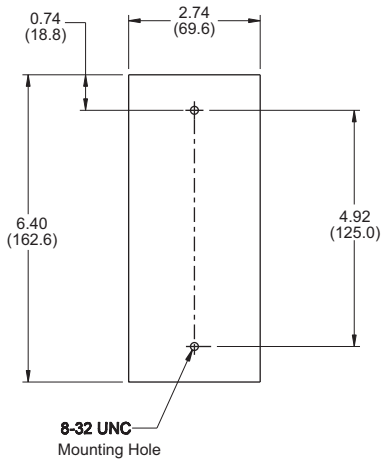
Figure 28: 15–250 A PowerPact H- and J-Frame Drawout Three-Pole Circuit Breaker



PowerPact H-, J-, and L-Frame Circuit Breakers Circuit Breaker Dimensions

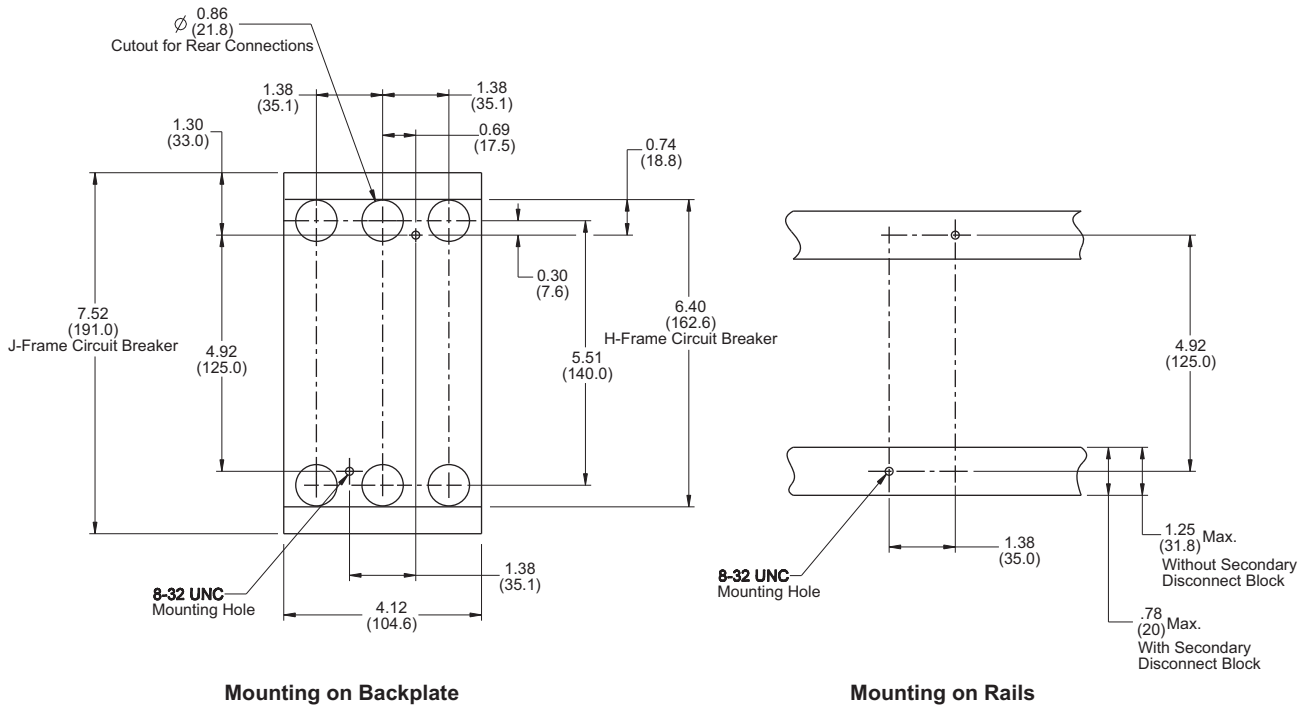
PowerPact H- and J-Frame Circuit Breaker Mounting

Figure 29: PowerPact H-Frame Two-Pole HD/HG Thermal-Magnetic Only Circuit Breaker



Dimensions: in.
(mm)

Figure 30: PowerPact H- and J-Frame Three-Pole Circuit Breaker



Dimensions: in.
(mm)

PowerPact H-, J-, and L-Frame Circuit Breakers

Circuit Breaker Dimensions

PowerPact H- and J-Frame Circuit Breaker Door Cutouts

Figure 31: PowerPact H- and J-Frame Circuit Breaker Toggle Handle Door Cutout

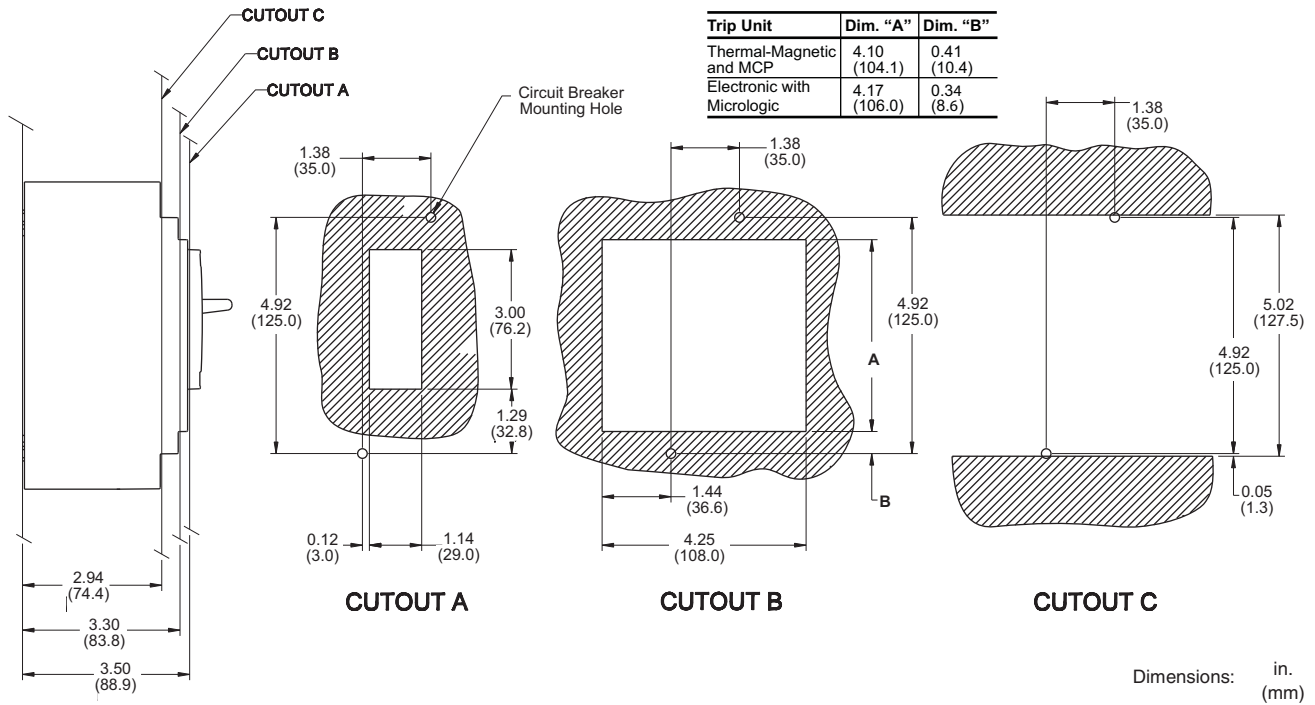
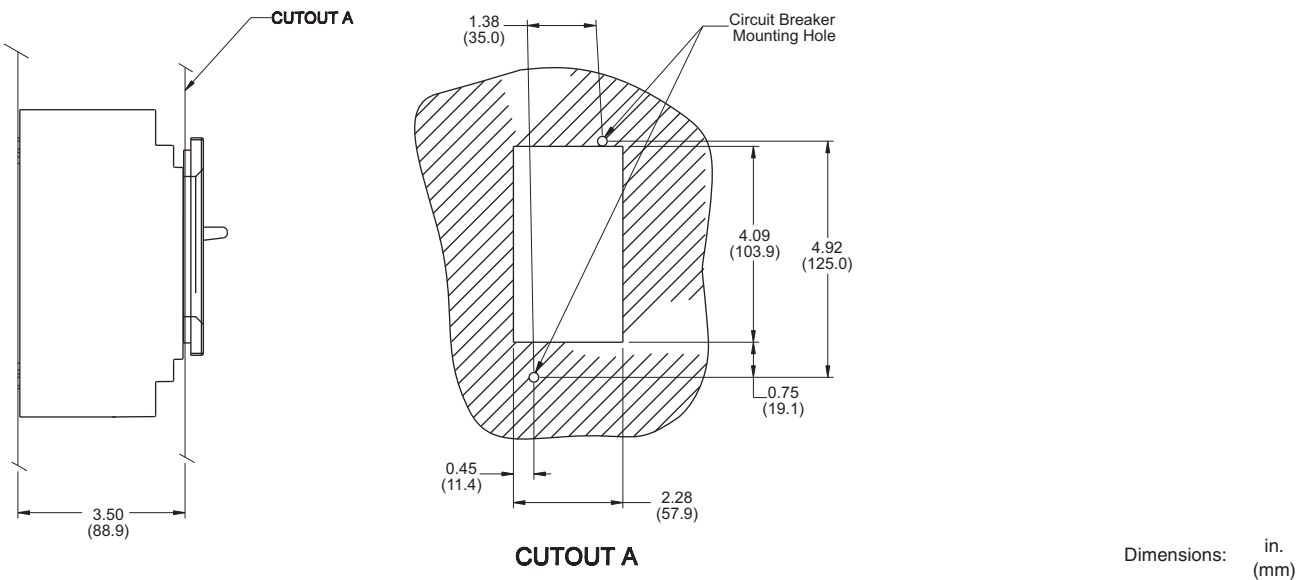


Figure 32: PowerPact H- and J-Frame Circuit Breaker Toggle Handle With Escutcheon Door Cutout



PowerPact H-, J-, and L-Frame Circuit Breakers Circuit Breaker Dimensions

Figure 33: PowerPact H- and J-Frame Circuit Breaker Fixed Rotary Handle Cutout

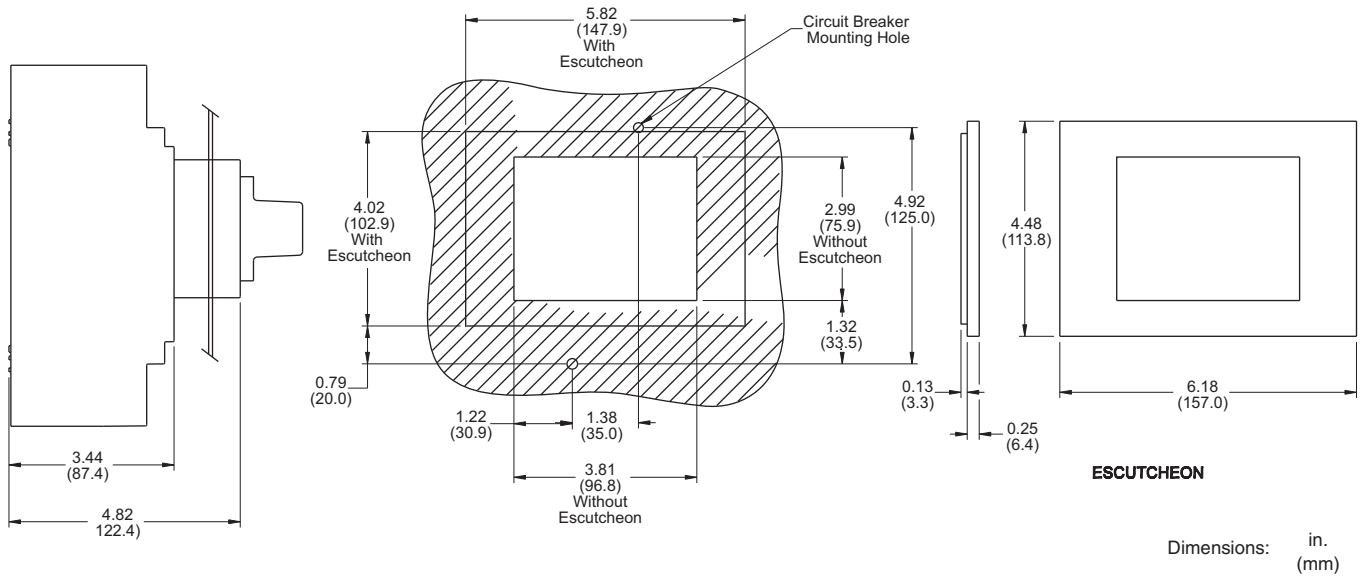
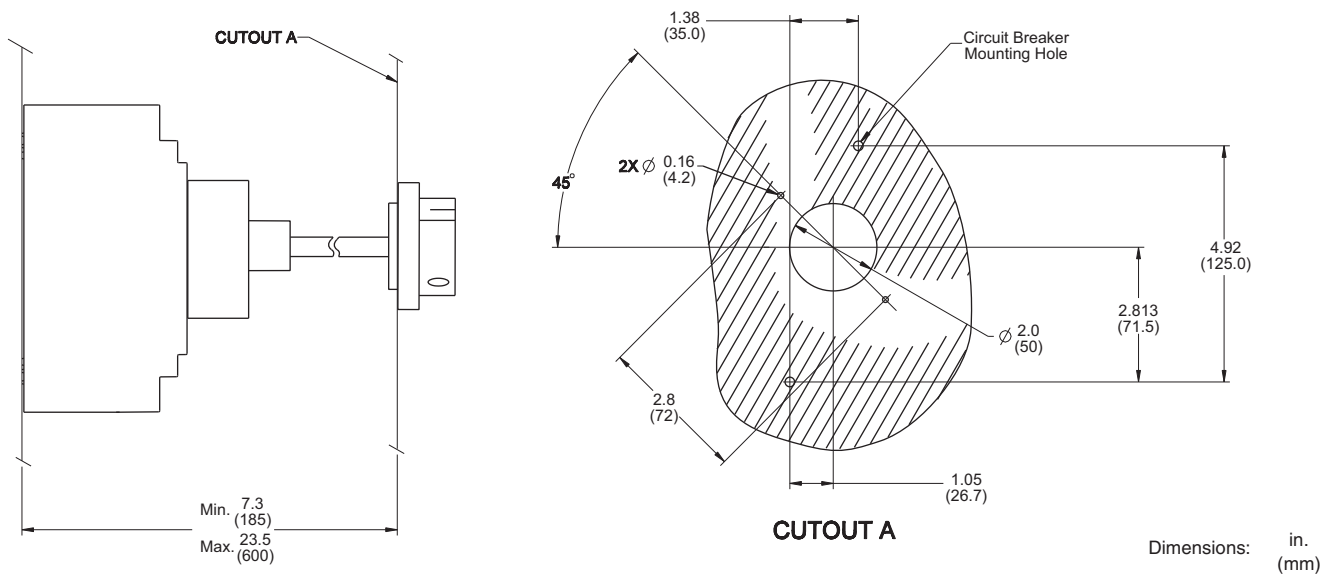


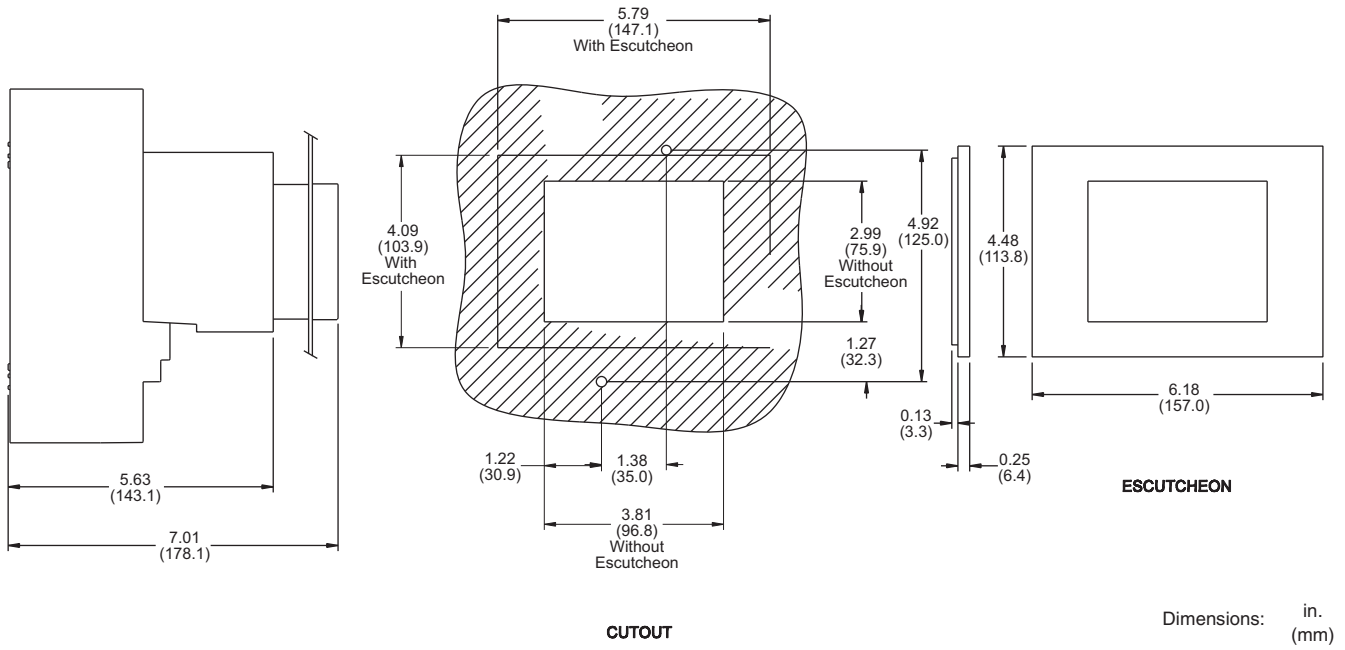
Figure 34: PowerPact H- and J-Frame Circuit Breaker Door Mounted Rotary Handle Cutout



PowerPact H-, J-, and L-Frame Circuit Breakers

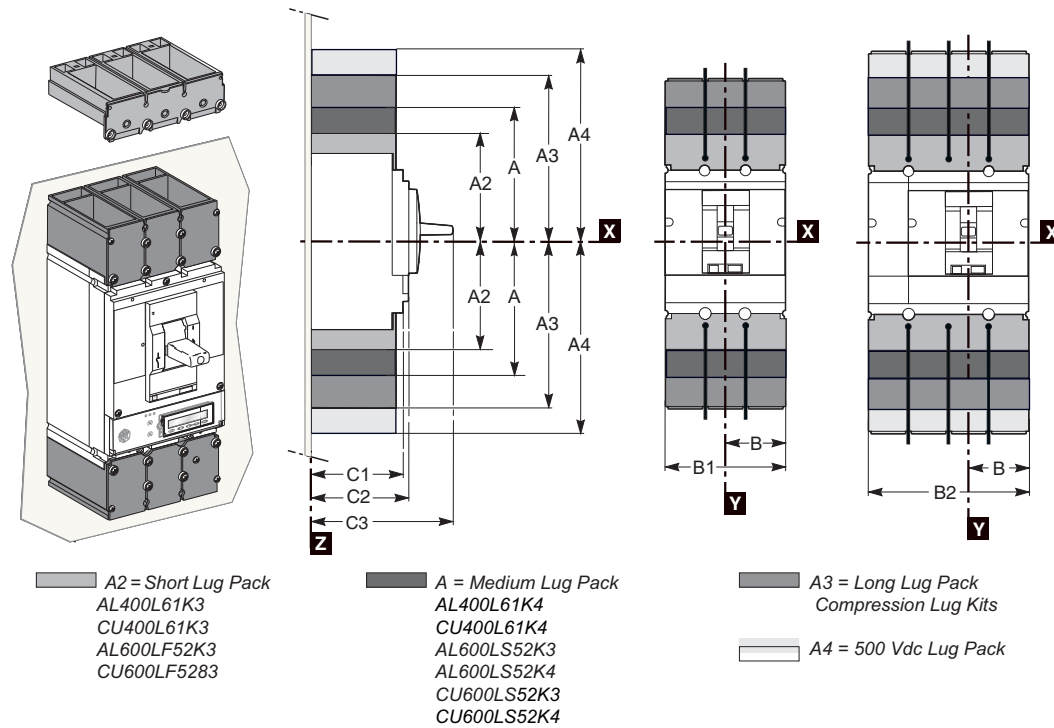
Circuit Breaker Dimensions

Figure 35: PowerPact H- and J-Frame Circuit Breaker Motor Operator Cutout



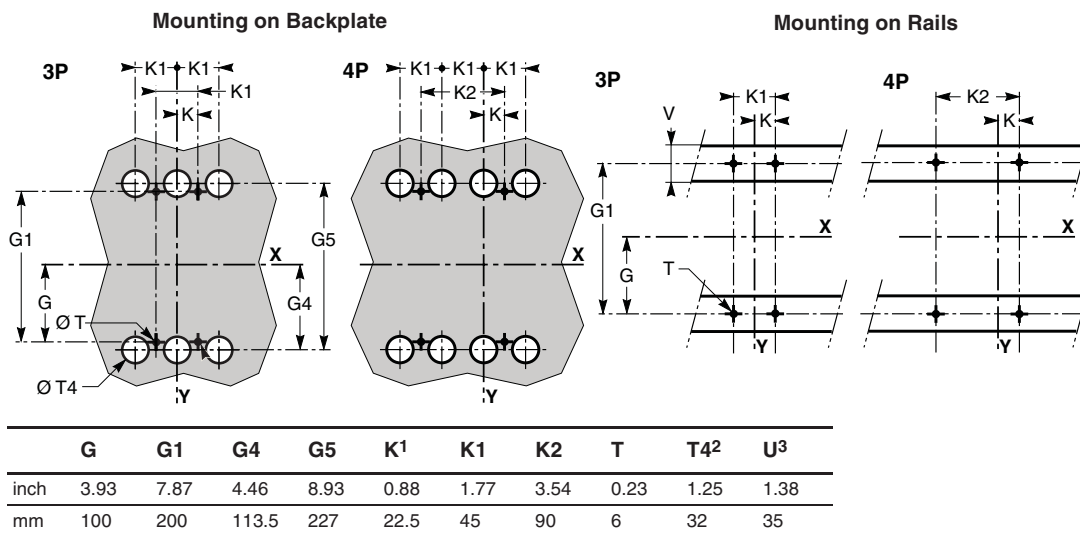
PowerPact L-Frame Circuit Breakers

Figure 36: PowerPact L-Frame Fixed Mounted Circuit Breaker



	A	A2	A3	A4	B	B1	B2	C1	C2	C3
inch	6.69	5.65	7.87	9.53	2.76	5.51	7.28	3.76	4.33	6.61
mm	170	143.5	200	242	70	140	185	105	110	168

Figure 37: PowerPact L-Frame Circuit Breaker Mounting



	G	G1	G4	G5	K1	K1	K2	T	T4 ²	U ³
inch	3.93	7.87	4.46	8.93	0.88	1.77	3.54	0.23	1.25	1.38
mm	100	200	113.5	227	22.5	45	90	6	32	35

1 For 2 pole circuit breaker, the middle holes are not required.
2 For rear connected circuit breakers only.
3 V is ≤ 78 in. (20 mm) on C-frame circuit breakers with secondary disconnecting blocks.

PowerPact H-, J-, and L-Frame Circuit Breakers

Circuit Breaker Dimensions

Figure 38: Front Panel Cutouts for PowerPact L-Frame Fixed or Plug-In Circuit Breakers

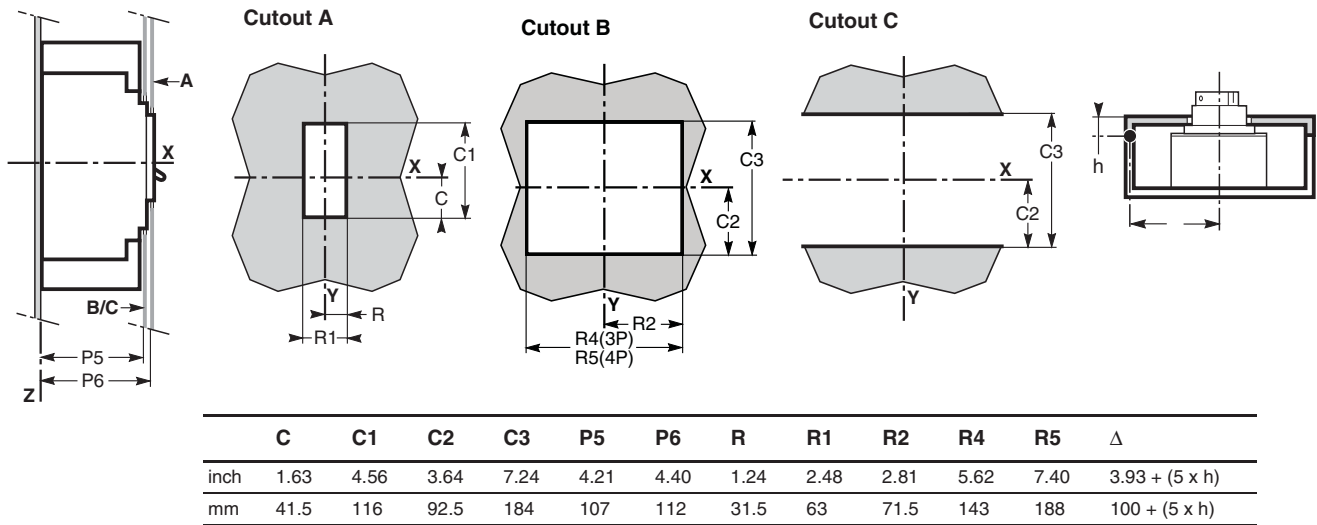
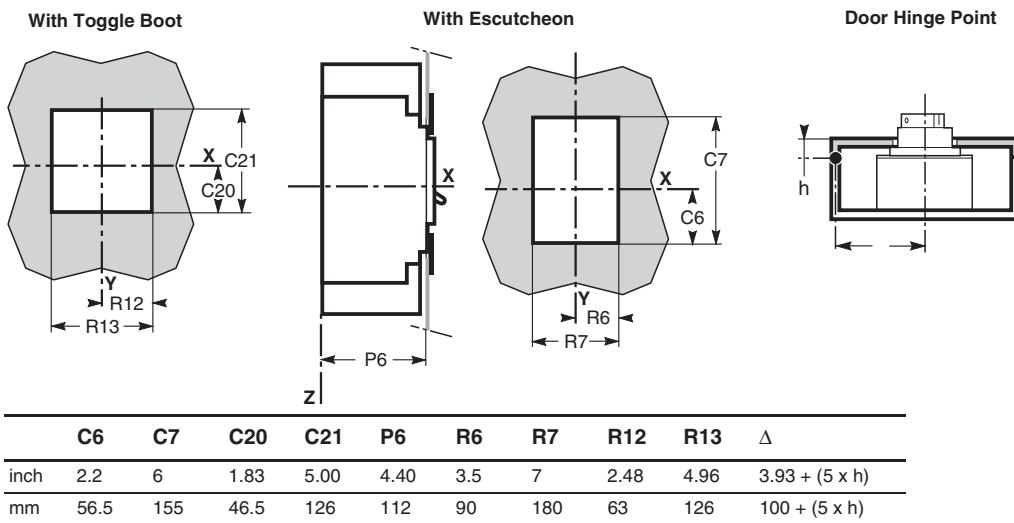
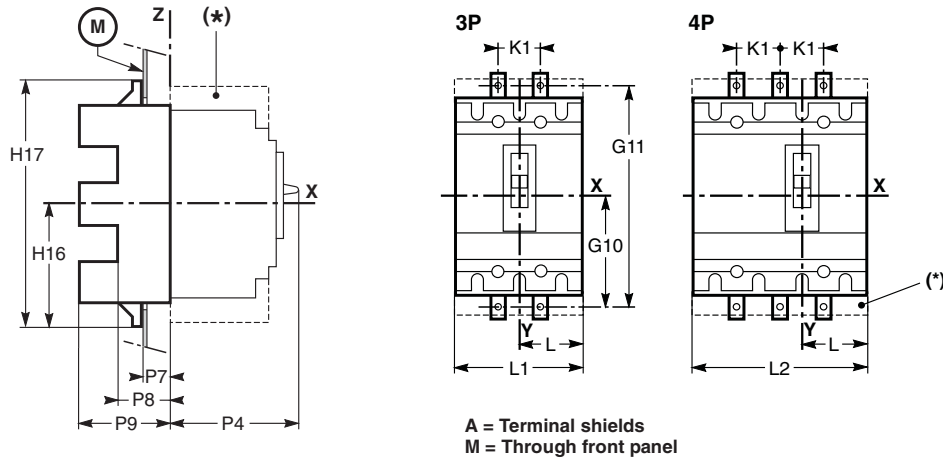


Figure 39: PowerPact L-Frame Circuit Breaker Front Panel Cutouts for Toggle Boot and Escutcheon



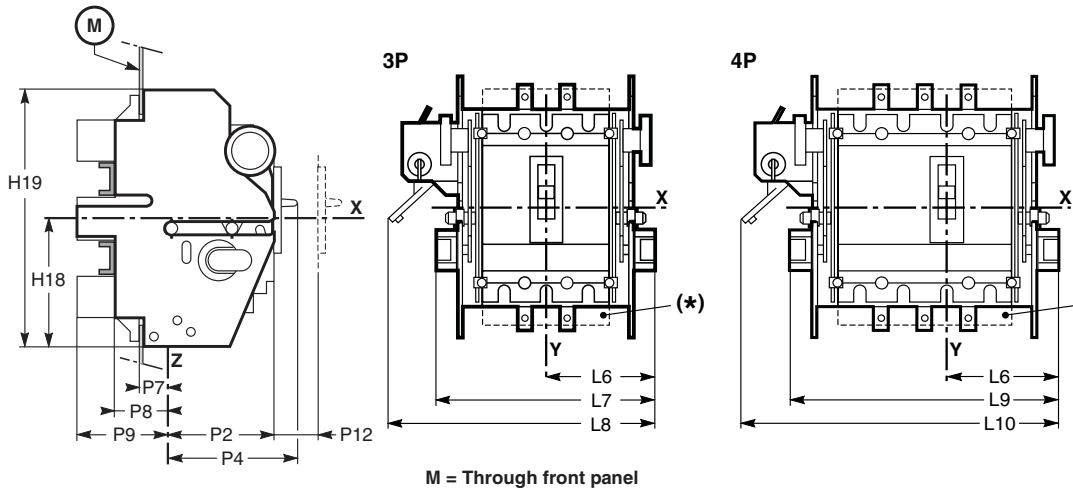
PowerPact L-Frame Plug-In and Drawout Mounting

Figure 40: PowerPact L-Frame Plug-In Circuit Breaker (On Base)



	G10	G11	H16	H17	K1	L	L1	L2	P4	P7	P8	P9
inch	5.90	11.8	6.20	12.40	1.77	2.75	5.51	7.28	6.61	1.06	1.77	3.93
mm	150	300	157.5	315	45	70	140	185	168	27	45	100

Figure 41: PowerPact L-Frame Drawout Circuit Breaker (on Cradle)



	H18	H19	L6	L7	L8	L10	P2	P4	P7	P8	P9	P12	L9
inch	5.51	11.02	4.33	8.66	98.46	11.61	4.33	6.61	1.06	1.77	3.93	1.25	10.43
mm	140	280	110	220	250	295	110	168	27	45	100	32	265

PowerPact H-, J-, and L-Frame Circuit Breakers

Circuit Breaker Dimensions

Figure 42: PowerPact L-Frame Circuit Breaker Mounting Through a Backplate

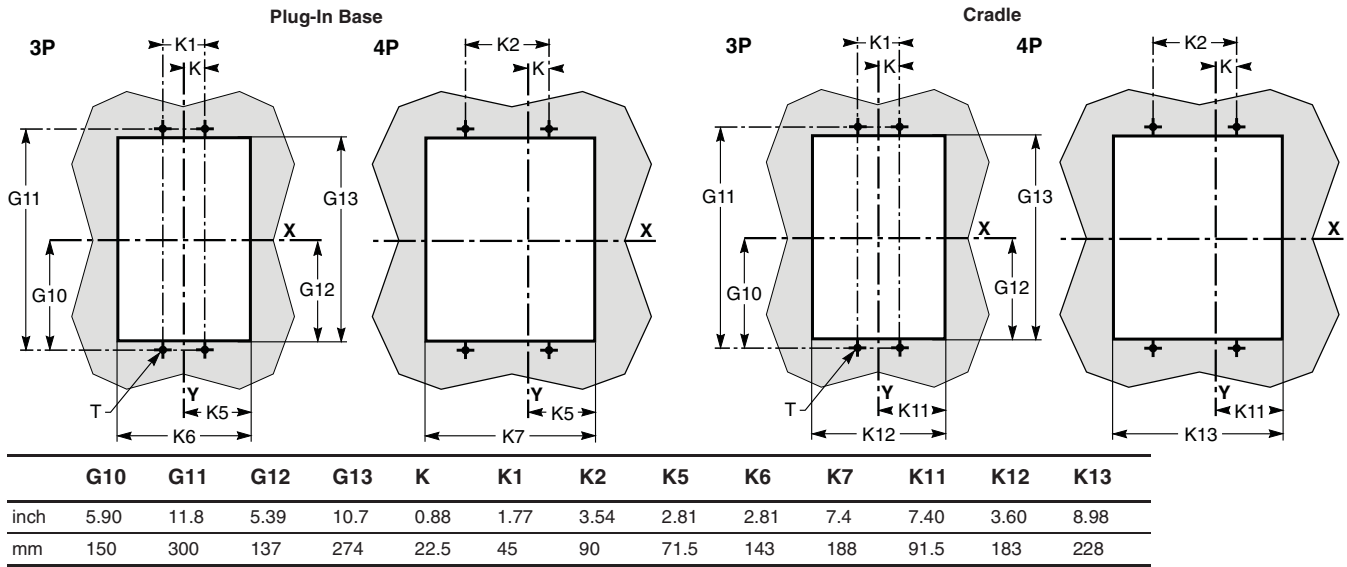


Figure 43: PowerPact L-Frame Circuit Breaker Mounting on Rails (Plug-In Base or Cradle)

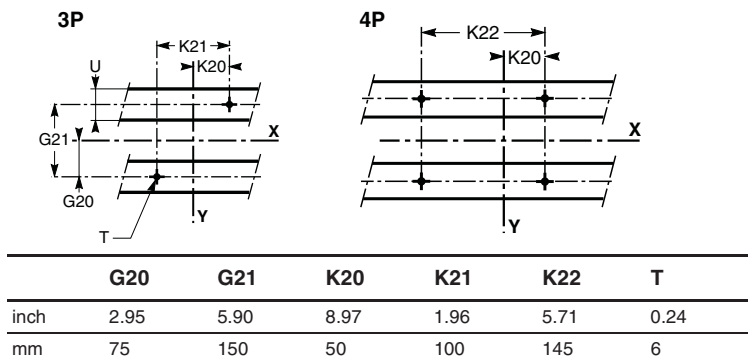
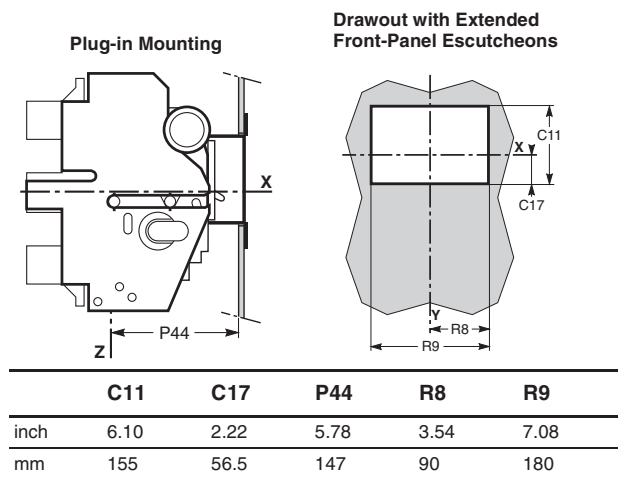


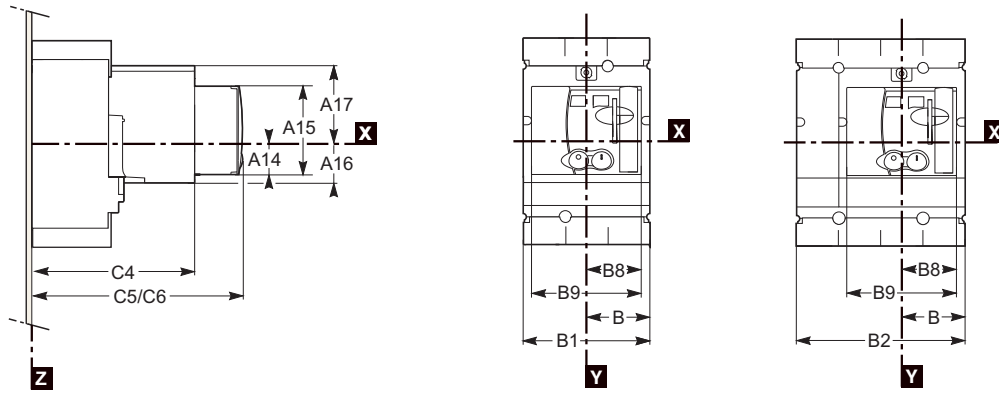
Figure 44: PowerPact L-Frame Circuit Breaker Front-Panel Cutouts



PowerPact H-, J-, and L-Frame Circuit Breakers Circuit Breaker Dimensions

PowerPact L-Frame Circuit Breaker Handles and Handle Operators

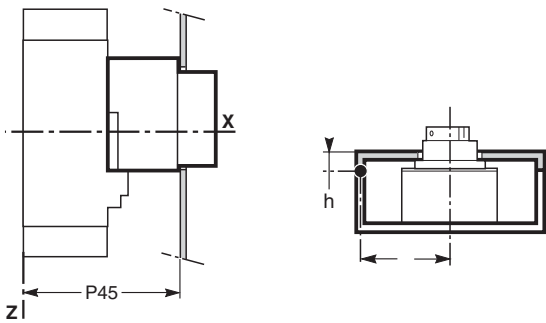
Figure 45: PowerPact L-Frame Circuit Breaker Motor Operators



C5: without keylock
C6: with keylock

	A14	A15	A16	A17	B	B1	B2	B8	B9	C4	C5	C6	D1
inch	1.57	4.84	2.05	3.94	2.76	5.51	7.28	2.42	4.84	8.46	10.08	10.16	3.94
mm	40	123	52	100	70	140	185	61.5	123	215	256	258	100

Figure 46: PowerPact L-Frame Circuit Breaker Motor Operator Front-Panel Cutouts



	C22	C23	P45	R14	R15	Δ
inch	1.63	4.96	8.54	2.53	5.08	$3.93 + (5 \times h)$
mm	41.5	126	217	64.5	129	$100 + (5 \times h)$

PowerPact H-, J-, and L-Frame Circuit Breakers

Circuit Breaker Dimensions

Figure 47: PowerPact L-Frame Circuit Breaker Cable-Operating Handles

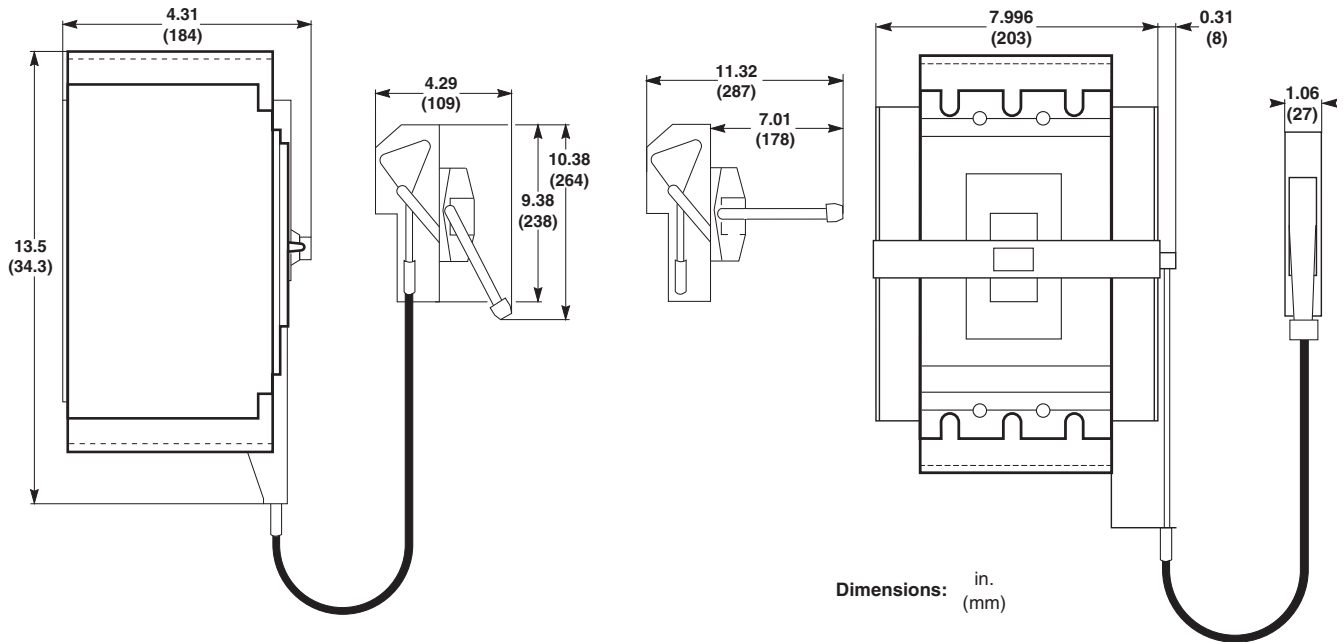
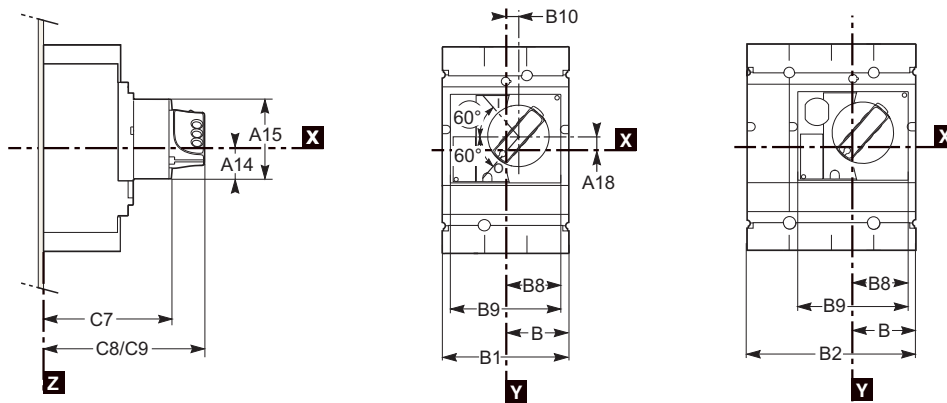


Figure 48: PowerPact L-Frame Circuit Breaker Rotary-Operating Handles



C8: without keylock
C9: with keylock

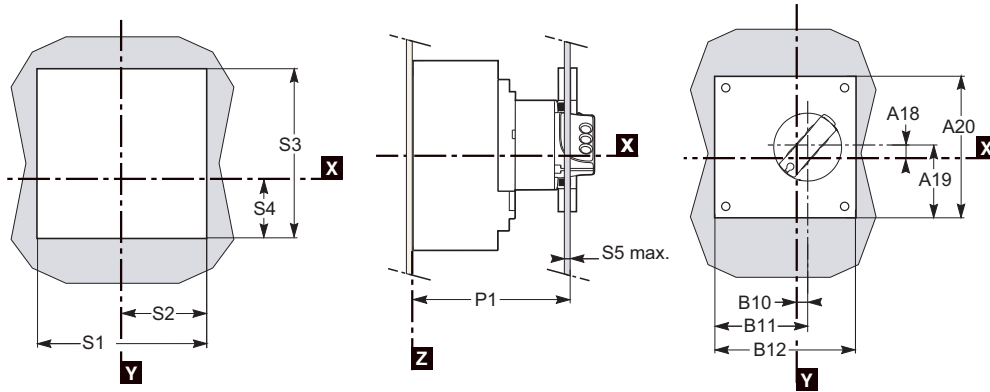
	A14	A15	A18	B	B1	B2	B8	B9	B10	C7	C8	C9	D1
inch	1.57	4.84	0.97	2.76	5.51	7.28	2.42	4.84	0.20	5.71	7.05	7.40	3.94
mm	40	123	24.6	70	140	185	61.5	123	5	145	179	188	100

PowerPact H-, J-, and L-Frame Circuit Breakers Circuit Breaker Dimensions

Figure 49: PowerPact L-Frame Motor-Control Center Circuit Breaker Direct Rotary-Operating Handle

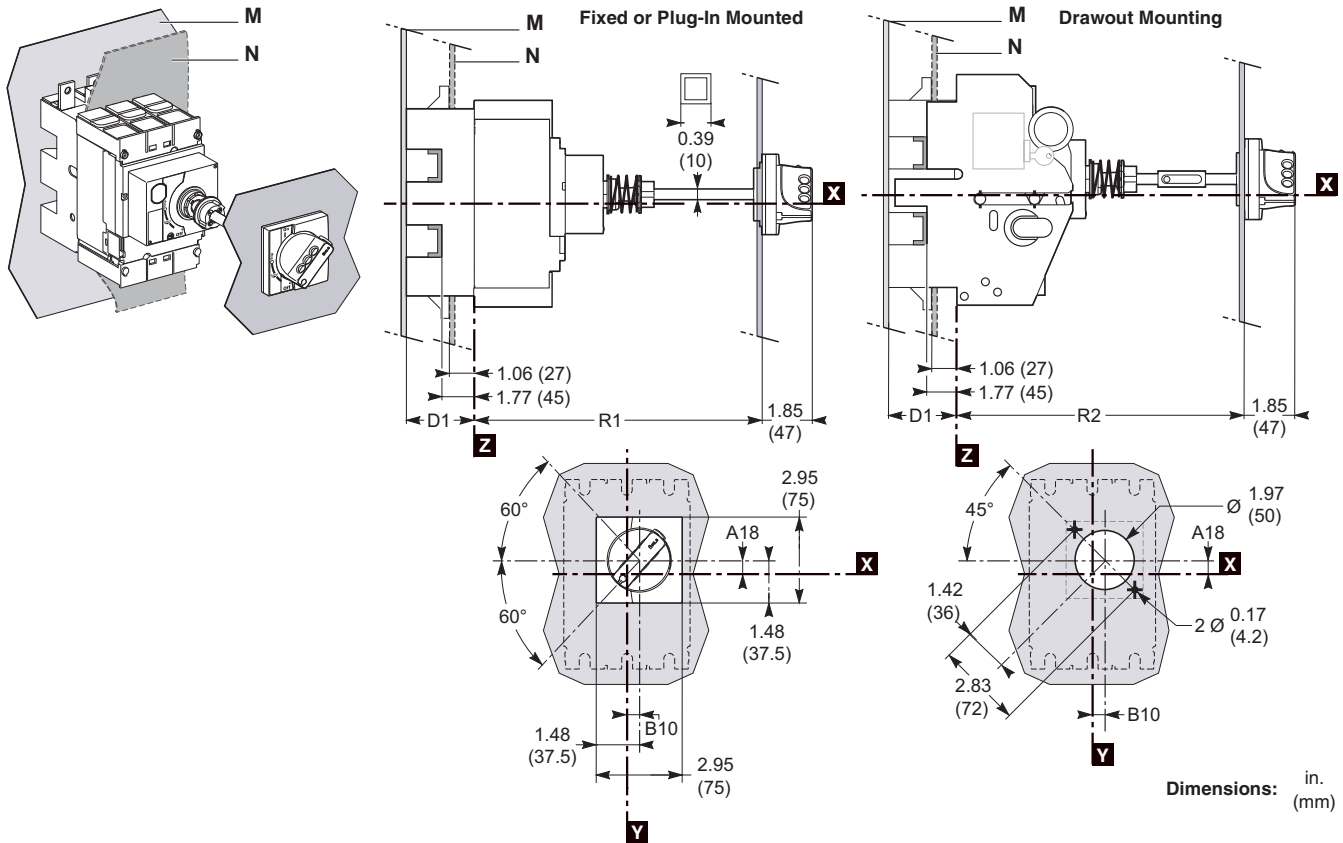
Front-Panel Cutout

Operating Handle



	A18	A19	A20	B10	B11	B12	P1	S1	S2	S3	S4	S5
inch	0.97	3.27	6.30	0.20	3.35	6.30	5.87	5.71	2.95	5.71	2.01	0.04–0.12
mm	24.6	83	160	5	85	160	149	145	75	145	51	1–3

Figure 50: PowerPact L-Frame Circuit Breaker Extended Rotary Handle Mounting



Dimensions: in.
(mm)

	R1 min	R1 max	R2 min	R2 max	A18	B10	D1
inch	7.68	23.62	10.71	23.62	0.97	0.20	3.94
mm	195	600	272	600	24.6	5	100

PowerPact H-, J-, and L-Frame Circuit Breakers

Circuit Breaker Dimensions

L-Frame Circuit Breaker Front Accessories

Figure 51: PowerPact L-Frame Circuit Breaker Extended Escutcheons

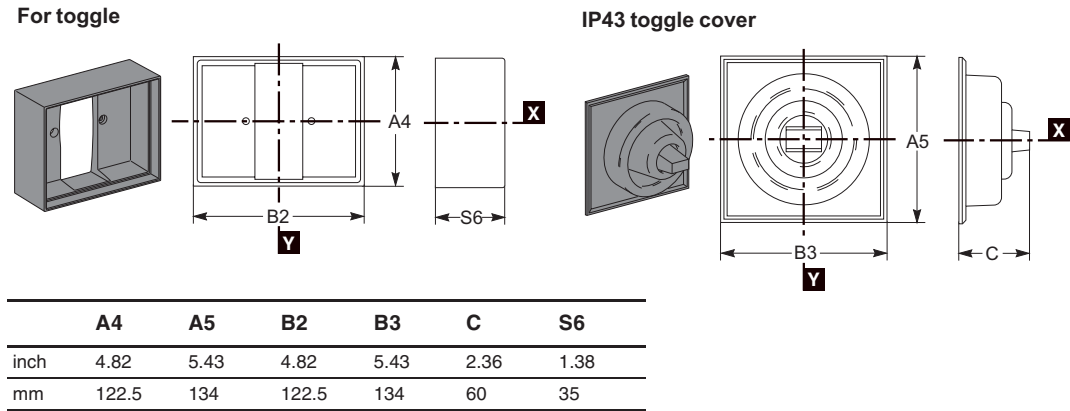
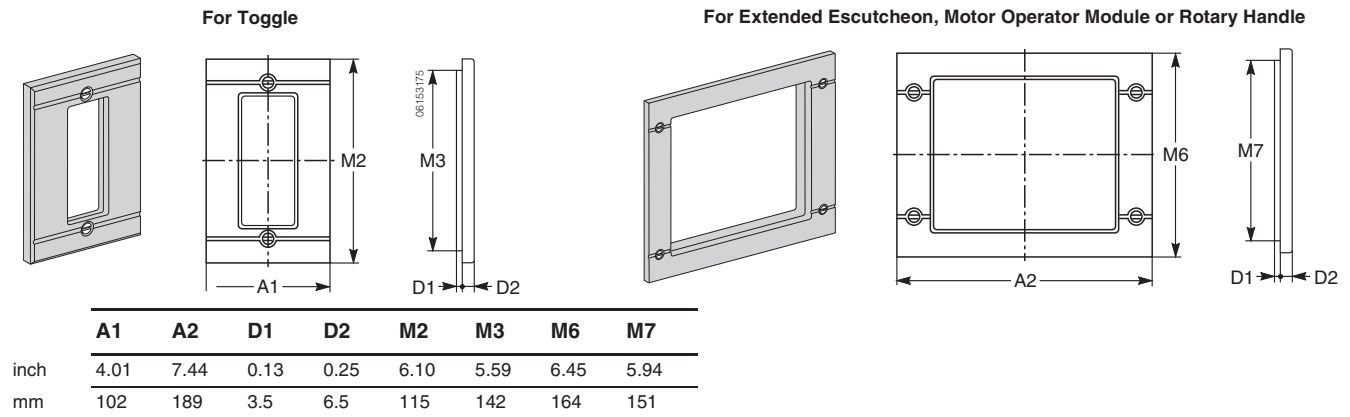


Figure 52: PowerPact L-Frame Circuit Breaker Front-Panel Escutcheons



PowerPact L-Frame Circuit Breaker Interlocking Systems

Figure 53: PowerPact L-Frame Circuit Breaker Interlocking Systems with Rotary-Operating Handles

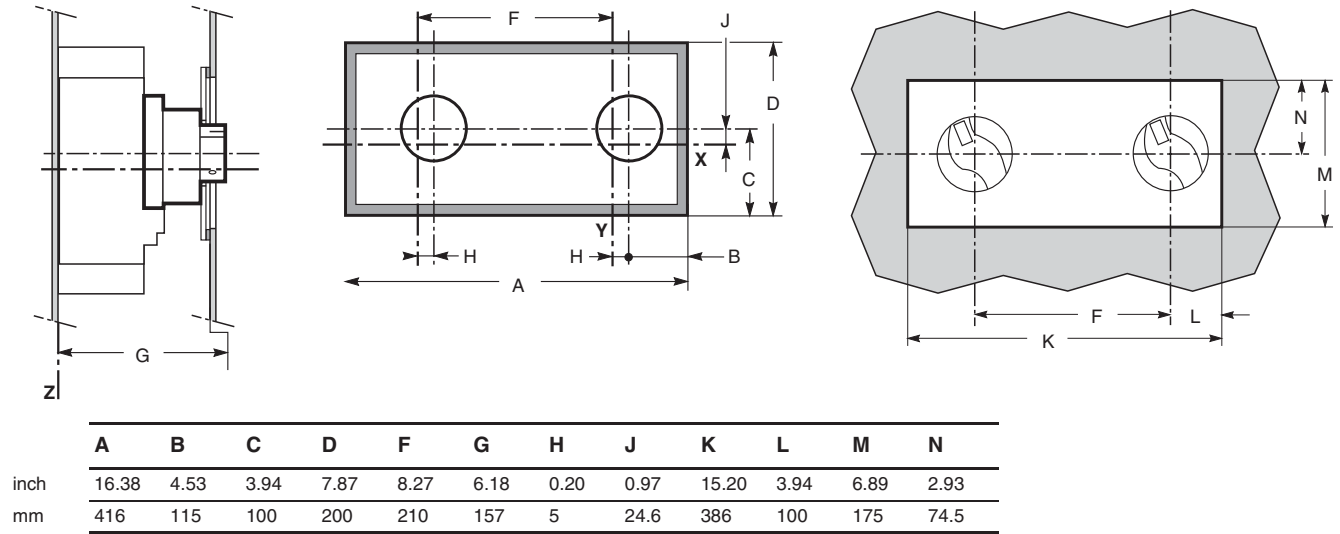
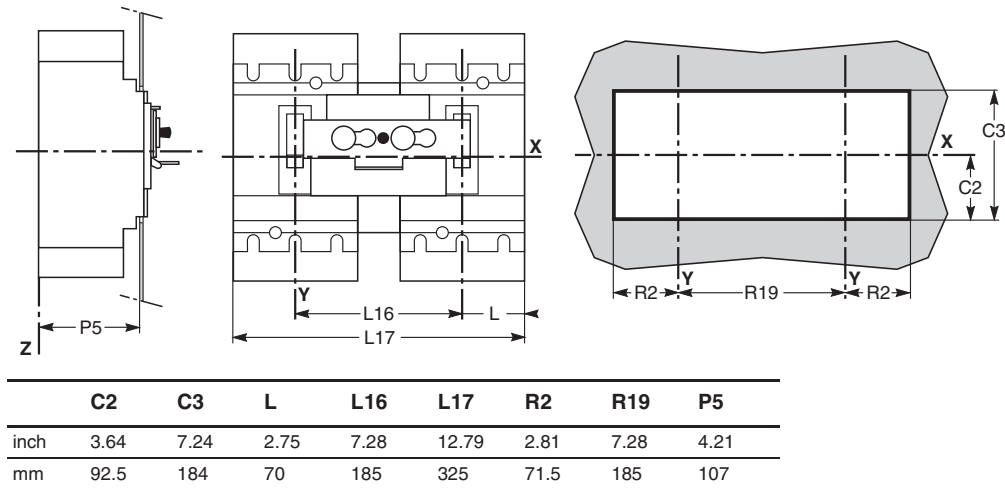


Figure 54: PowerPact L-Frame Circuit Breaker Interlocking Systems with Toggle Handles



PowerPact H-, J-, and L-Frame Circuit Breakers

Circuit Breaker Dimensions

PowerPact L-Frame Circuit Breaker Connectors

Figure 55: PowerPact L-Frame Circuit Breaker Fixed-Mounted Connections

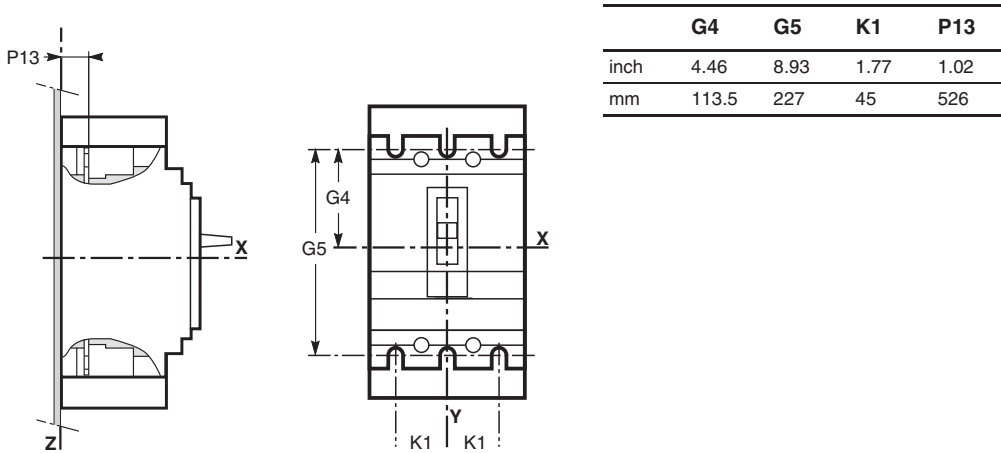


Figure 56: PowerPact L-Frame Circuit Breaker Front Connections

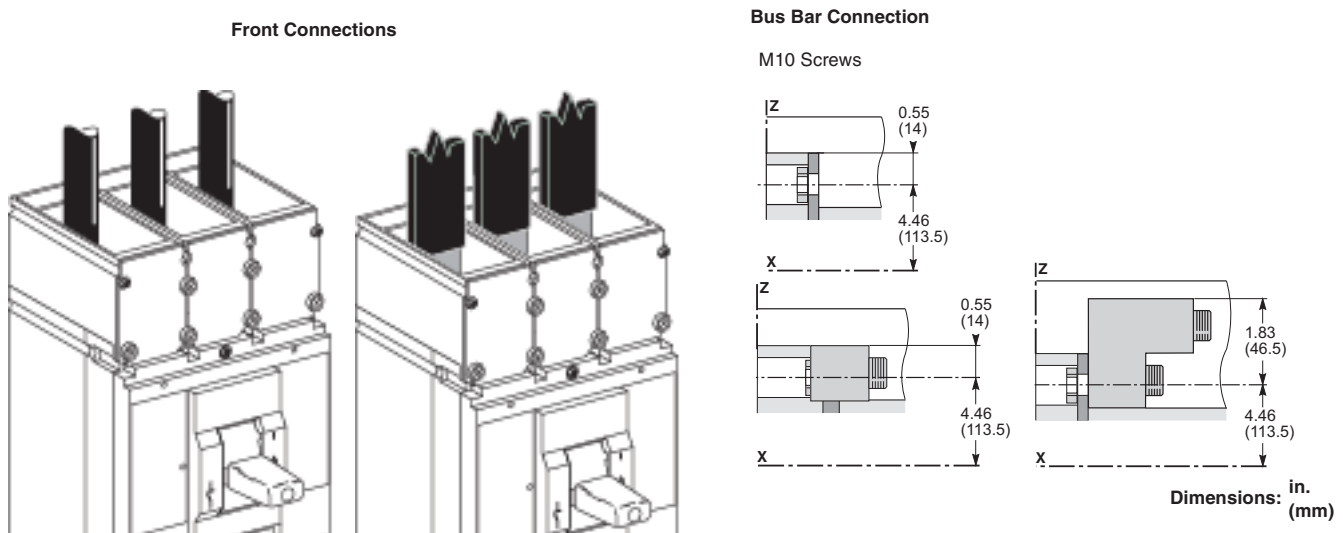
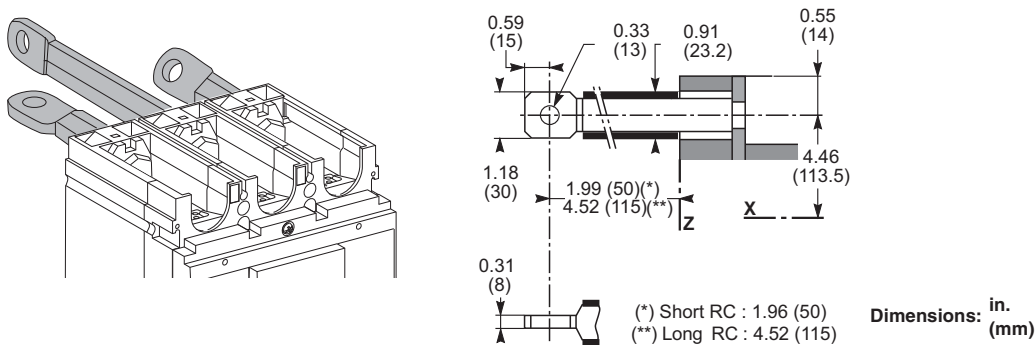


Figure 57: PowerPact L-Frame Circuit Breaker Rear Connections



PowerPact H-, J-, and L-Frame Circuit Breakers Circuit Breaker Dimensions

Figure 58: PowerPact L-Frame Circuit Breaker Plug-In or Drawout Mounting Connections

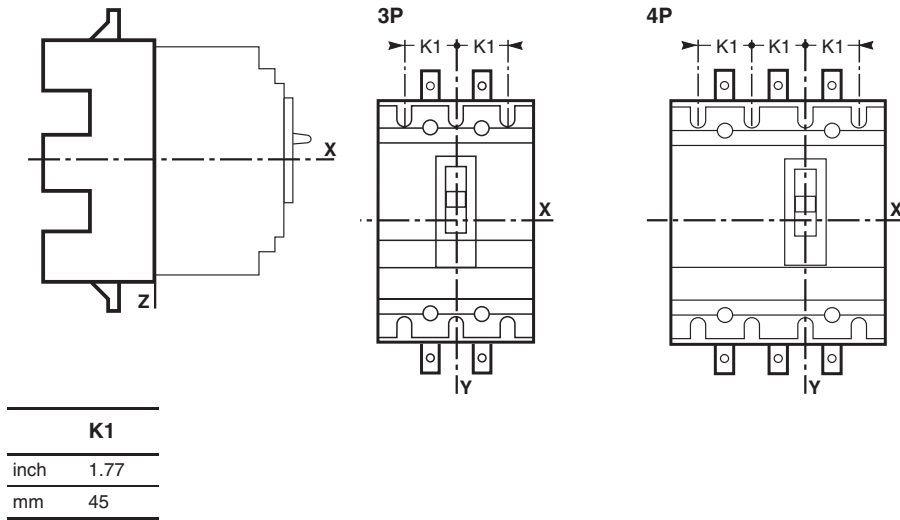


Figure 59: PowerPact L-Frame Circuit Breaker Rear Connections Fitted at Lower Limit

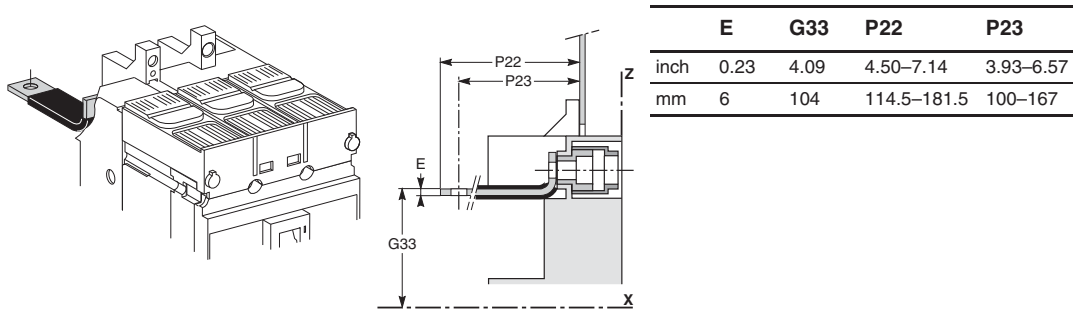
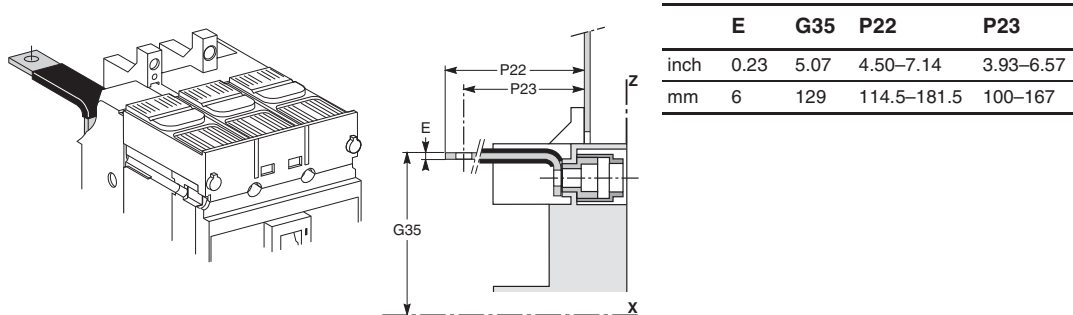


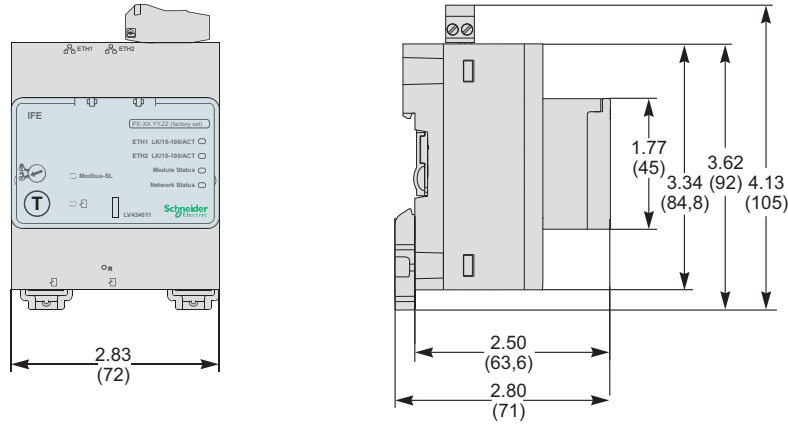
Figure 60: PowerPact L-Frame Circuit Breaker Rear Connections Fitted at Upper Limit



Section 14—Accessory Dimensional Drawings

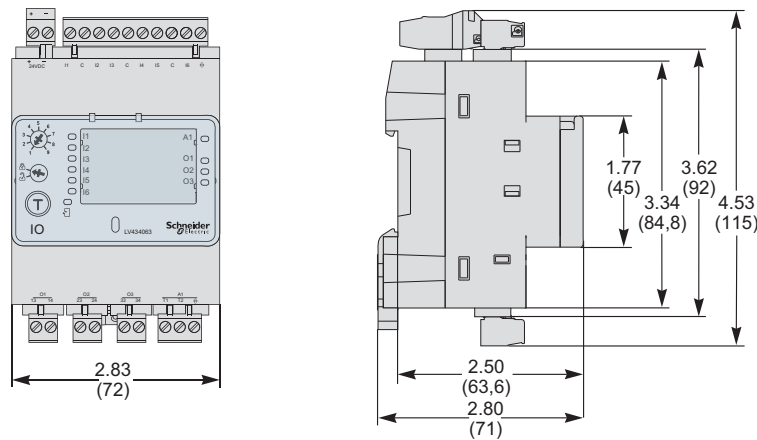
Accessory Dimensions

Figure 61: IFE Ethernet Interface



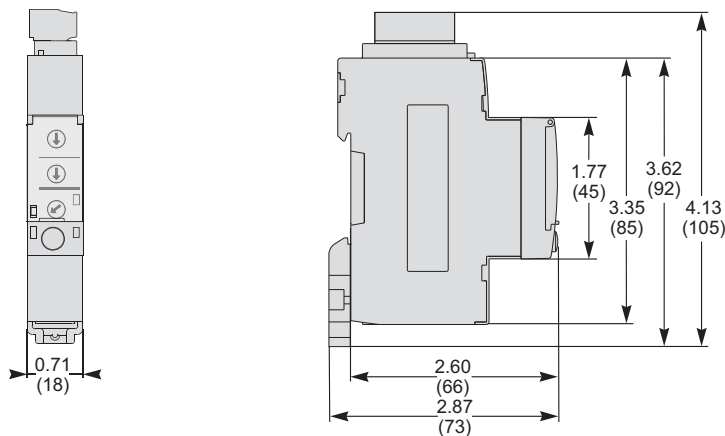
Dimensions: in.
(mm)

Figure 62: I/O (Input/Output) Application Module



Dimensions: in.
(mm)

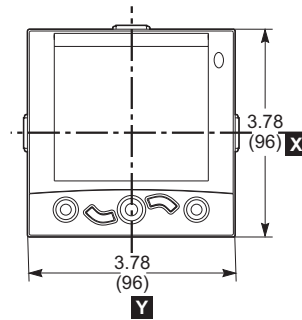
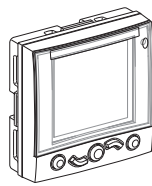
Figure 63: IFM Modbus-SL Interface



Dimensions: in.
(mm)

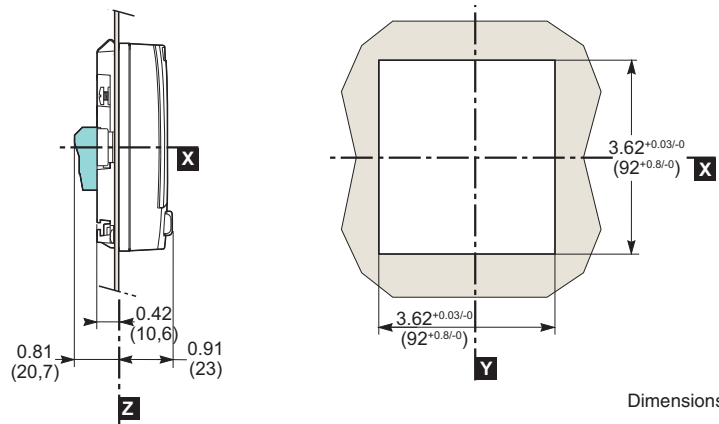
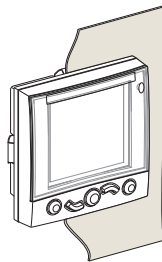
PowerPact H-, J-, and L-Frame Circuit Breakers Accessory Dimensional Drawings

Figure 64: FDM121 Switchboard Display Dimensions



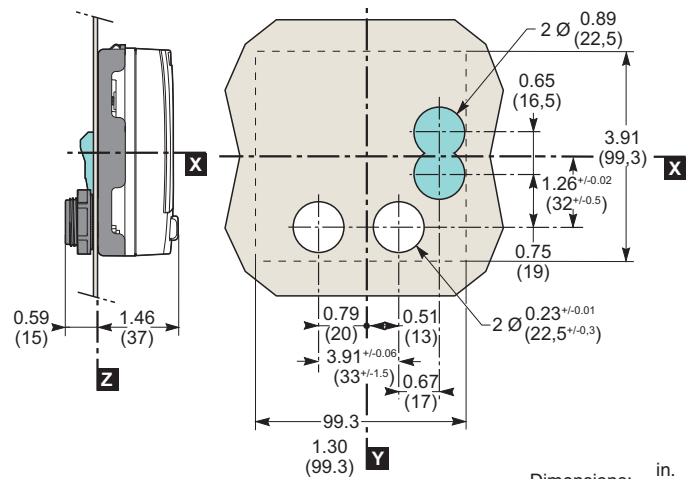
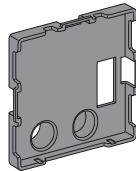
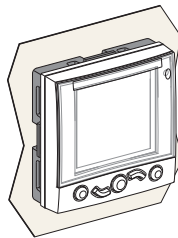
Dimensions: in.
(mm)

Figure 65: FDM121 Switchboard Display Mounting Through Panel



Dimensions: in.
(mm)

Figure 66: FDM121 Switchboard Display Mounting On Panel

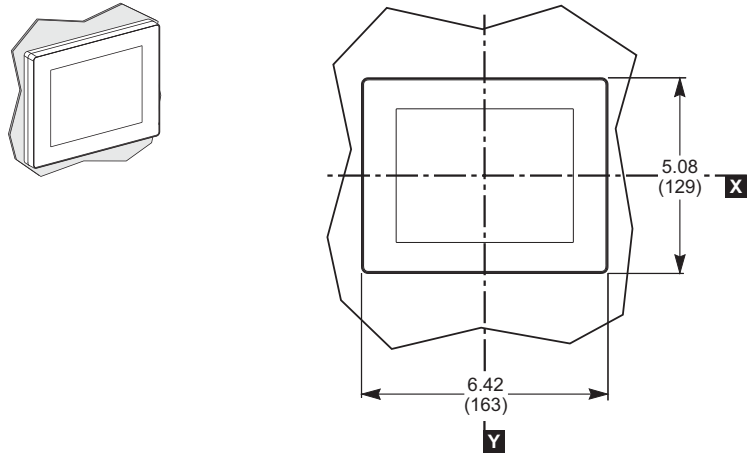


Dimensions: in.
(mm)

PowerPact H-, J-, and L-Frame Circuit Breakers

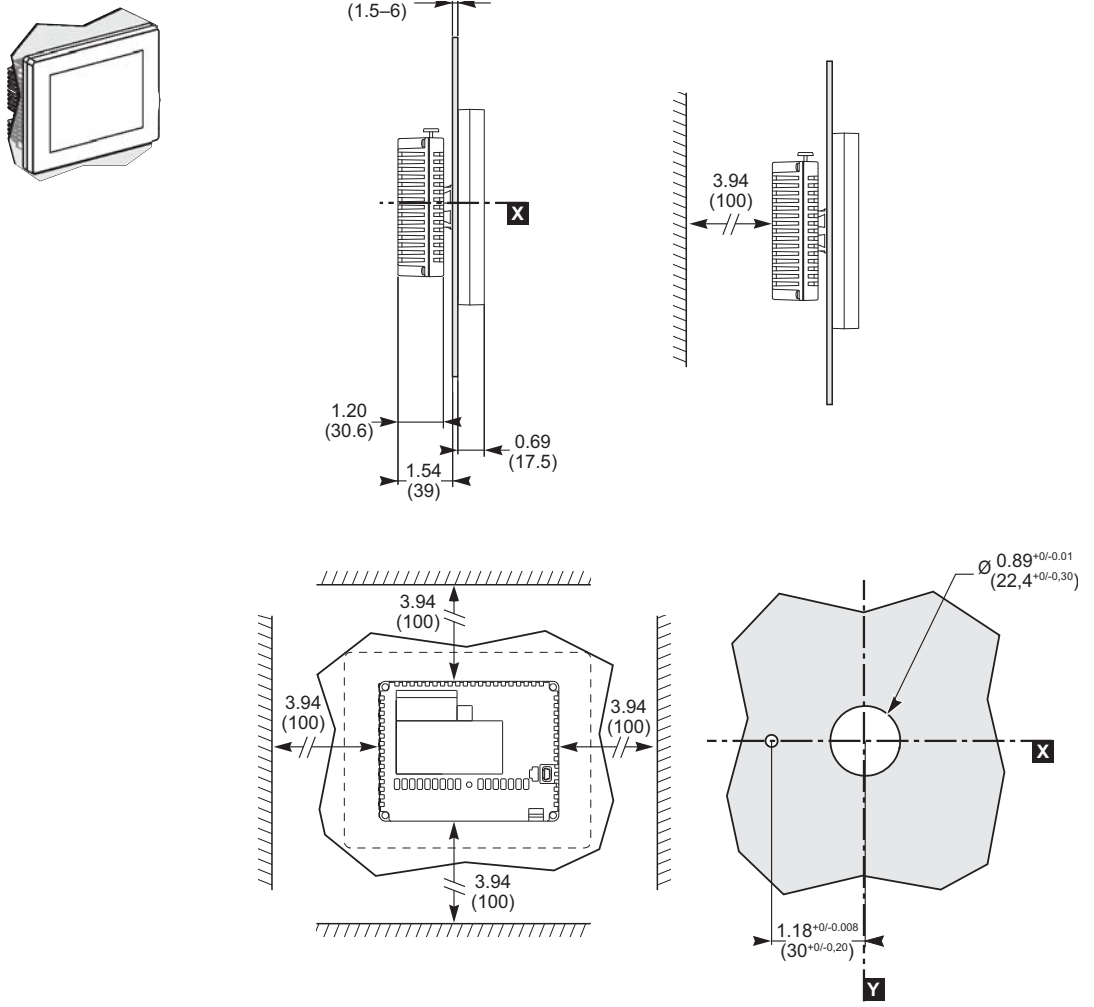
Accessory Dimensional Drawings

Figure 67: FDM128 Switchboard Display Dimensions



Dimensions: in. (mm)

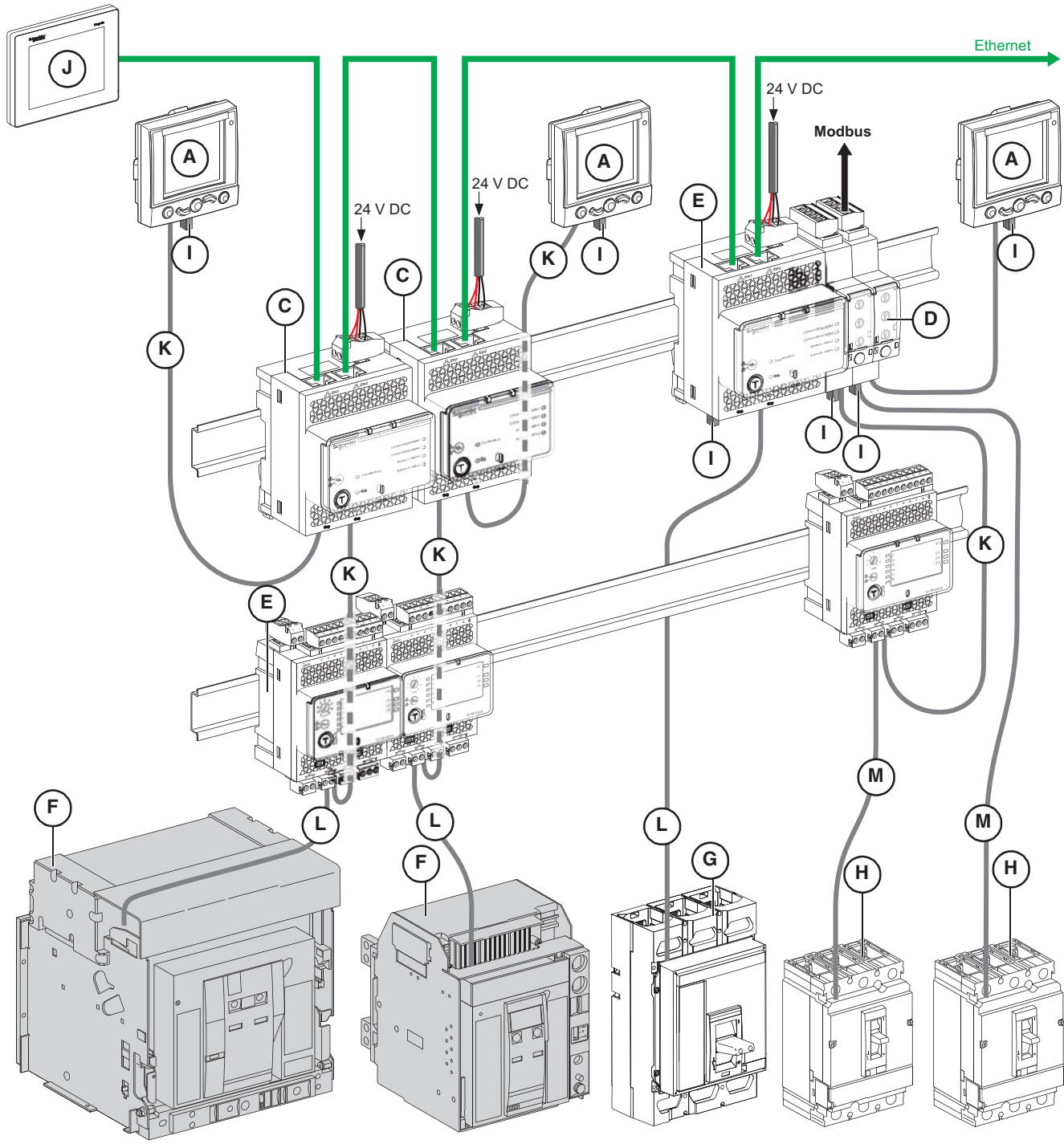
Figure 68: FDM128 Switchboard Display Mounting on Panel



Dimensions: in. (mm)

PowerPact H-, J-, and L-Frame Circuit Breakers Accessory Dimensional Drawings

Figure 69: Circuit Breaker Communication



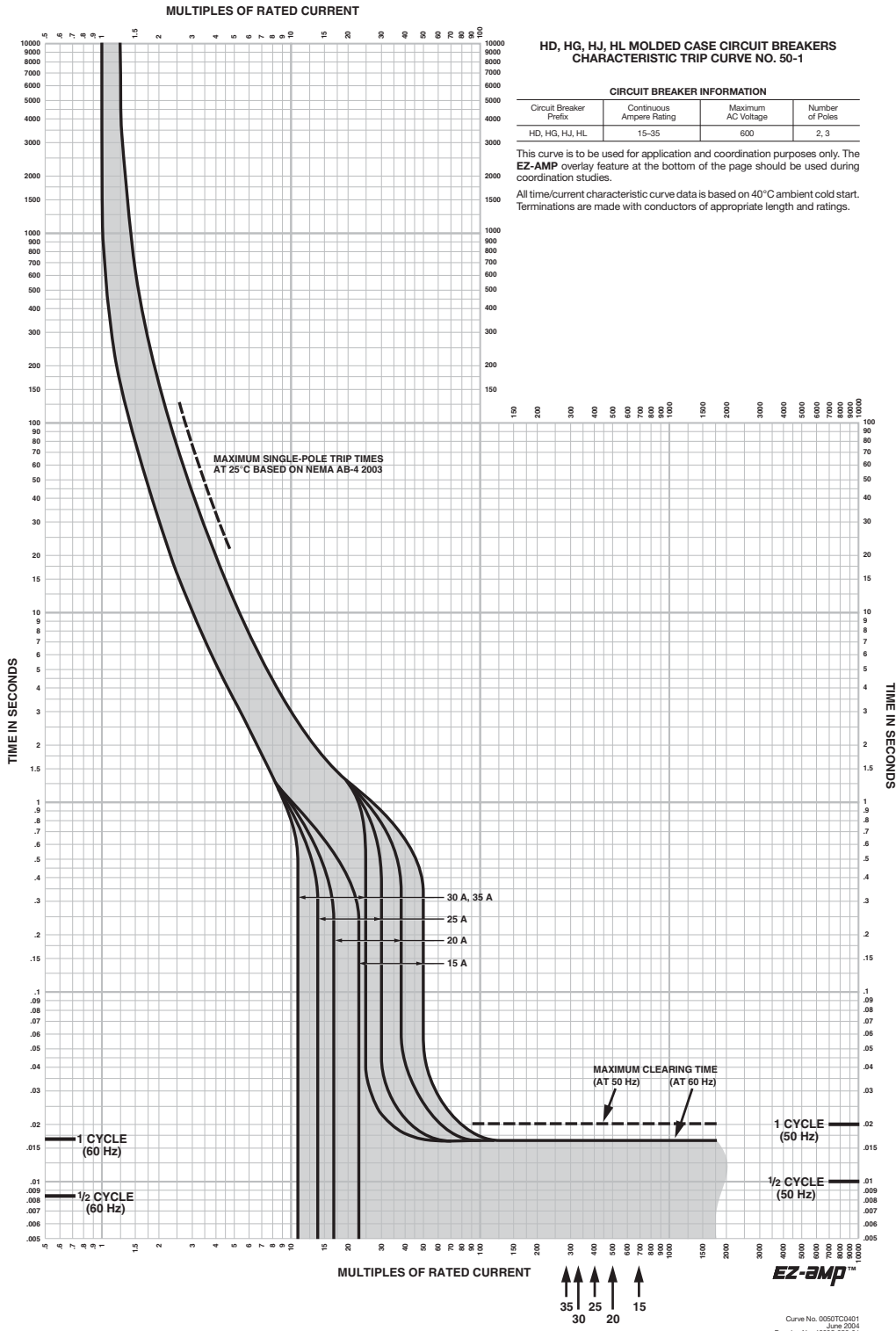
- | | | | |
|--------------------------|-------------------------------------|-------------------------------|-------------|
| A. FDM121 (TRV00121) | E. IO application module (LV434063) | I. ULP termination (TRV00880) | M. NSX cord |
| B. IFE master (LV434011) | F. Masterpact NT/NW | J. FDM128 (LV434128) | |
| C. IFE (LV434010) | G. PowerPact P/R | K. ULP cable | |
| D. IFM (TRV00210) | H. PowerPact H/J/L | L. Circuit breaker ULP cord | |

PowerPact H-, J-, and L-Frame Circuit Breakers Trip Curves

Section 15—Trip Curves

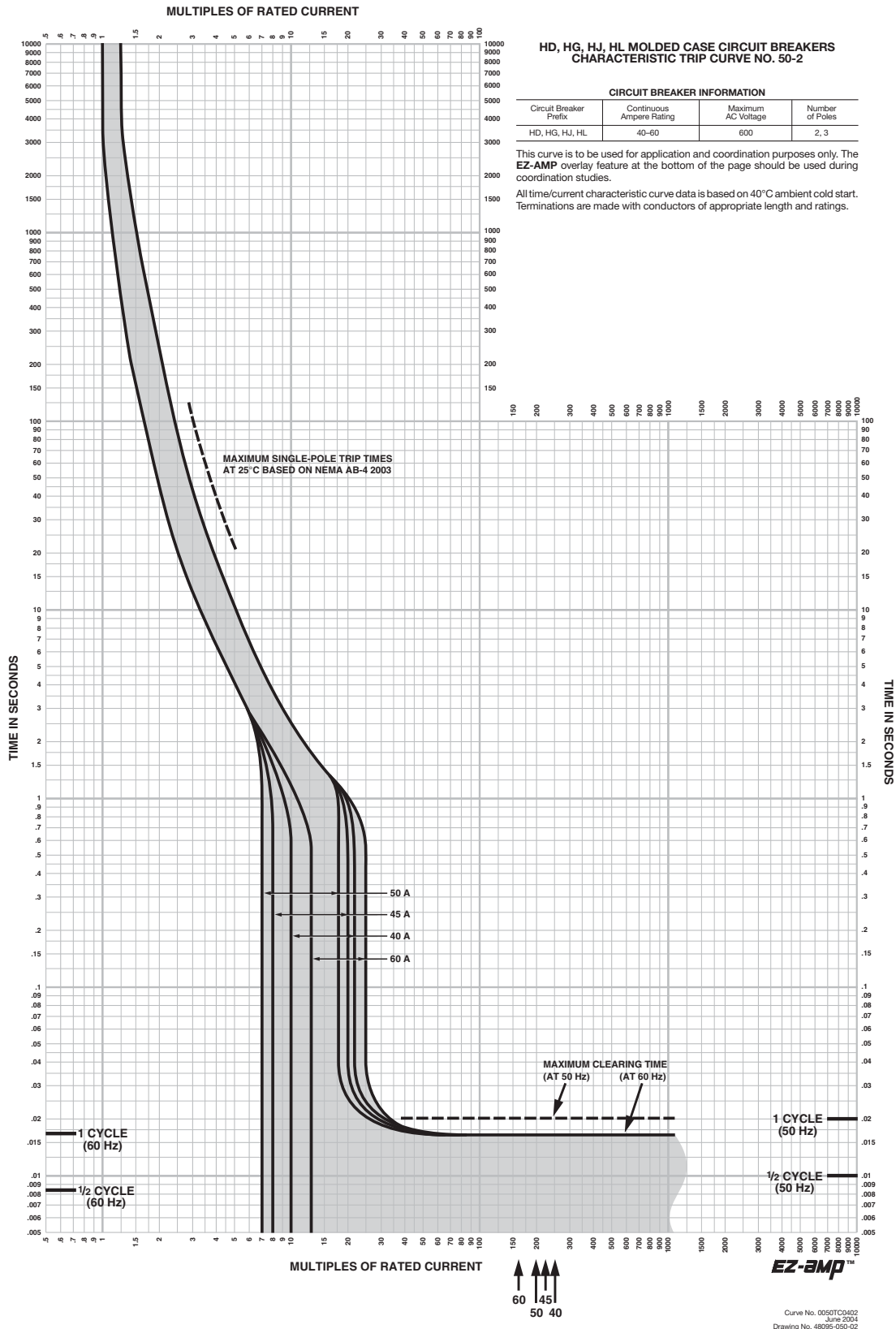
PowerPact H- and J-Frame Thermal-Magnetic Trip Circuit Breakers

Figure 70: H-Frame 15–35 A (HD, HG, HJ, and HL) Thermal-Magnetic Trip



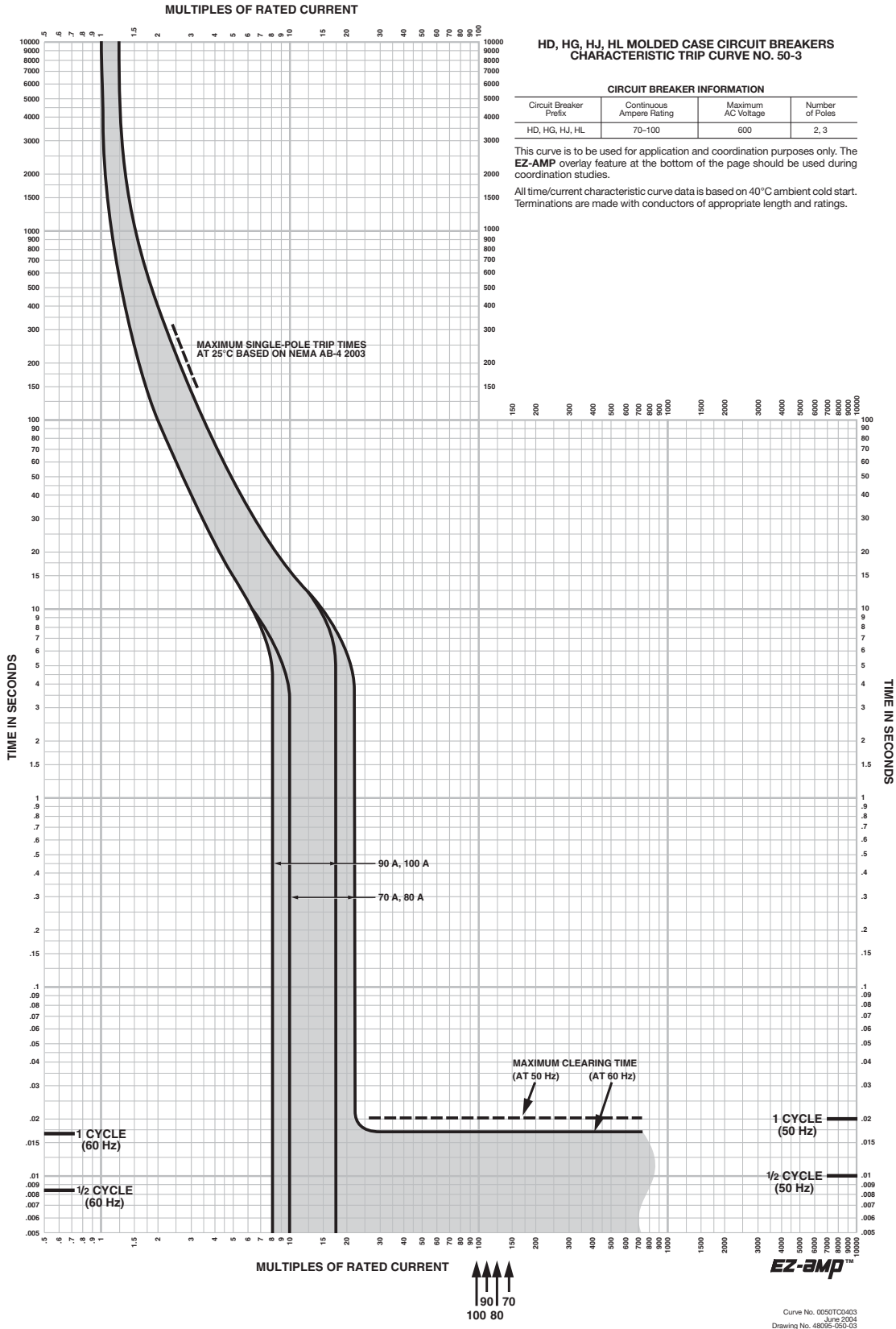
PowerPact H-, J-, and L-Frame Circuit Breakers Trip Curves

Figure 71: H-Frame 40–60 A (HD, HG, HJ, and HL) Thermal-Magnetic Trip



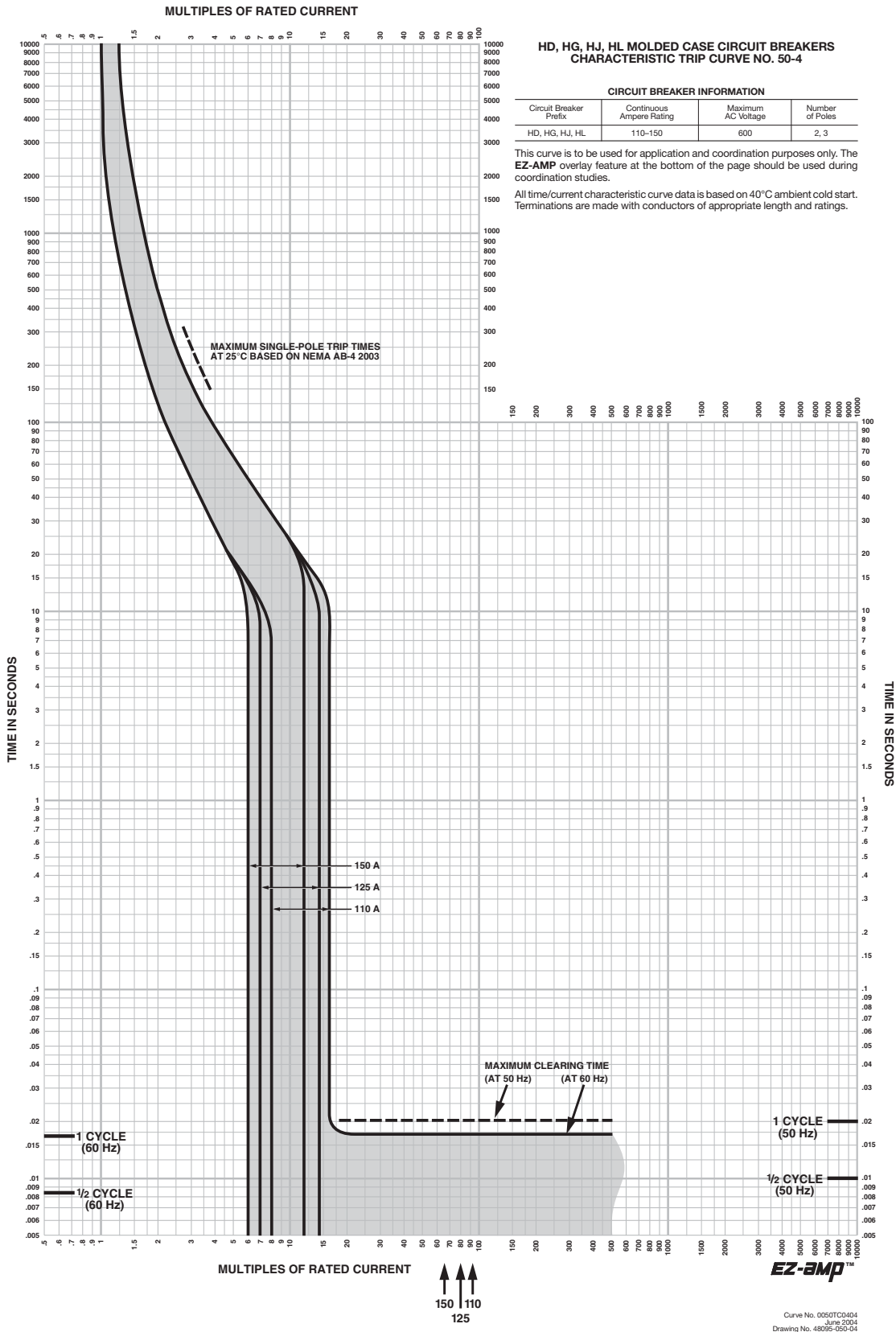
PowerPact H-, J-, and L-Frame Circuit Breakers Trip Curves

Figure 72: H-Frame 70–100 A (HD, HG, HJ, and HL) Thermal-Magnetic Trip



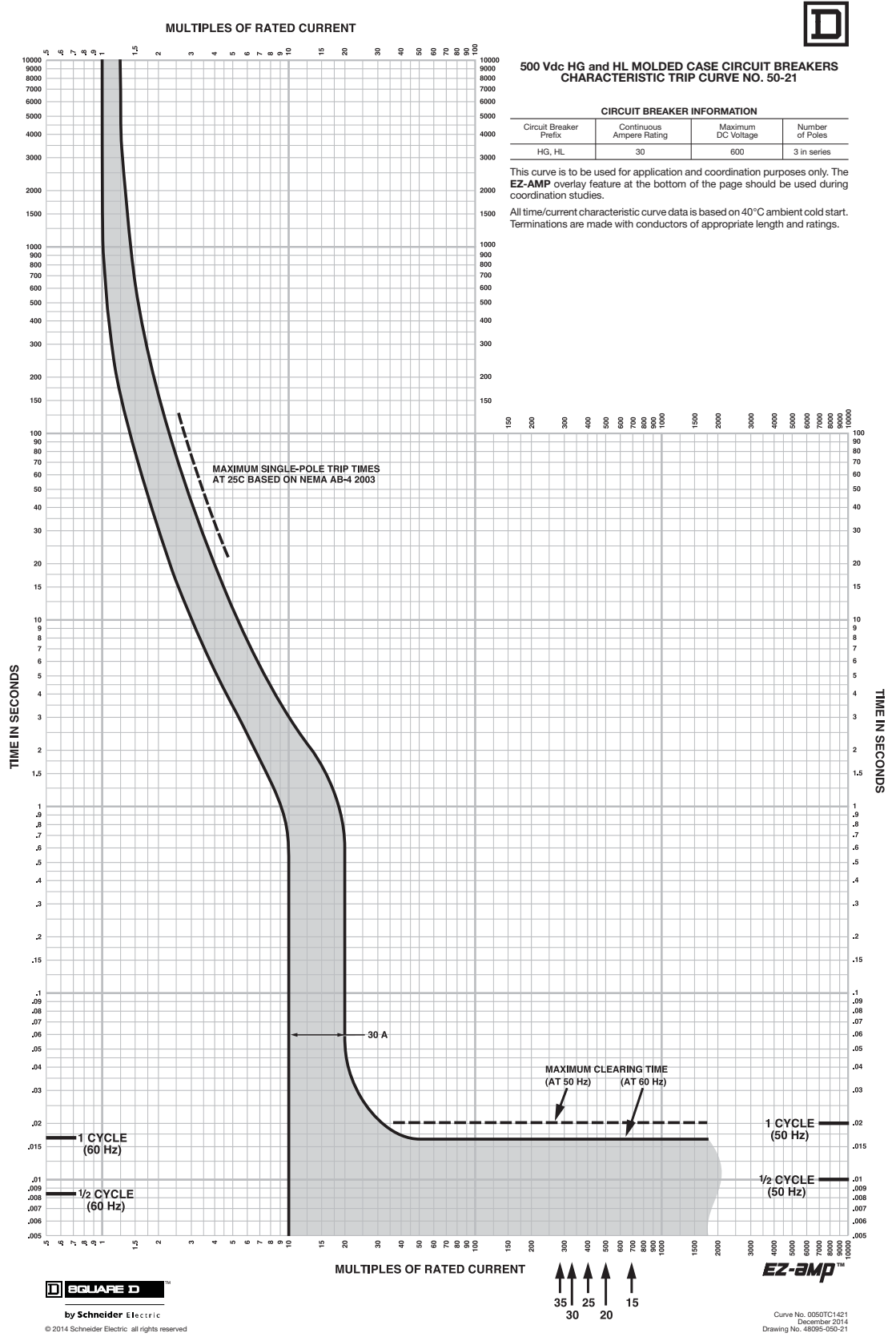
PowerPact H-, J-, and L-Frame Circuit Breakers Trip Curves

Figure 73: H-Frame 110–150 A (HD, HG, HJ, and HL) Thermal-Magnetic Trip



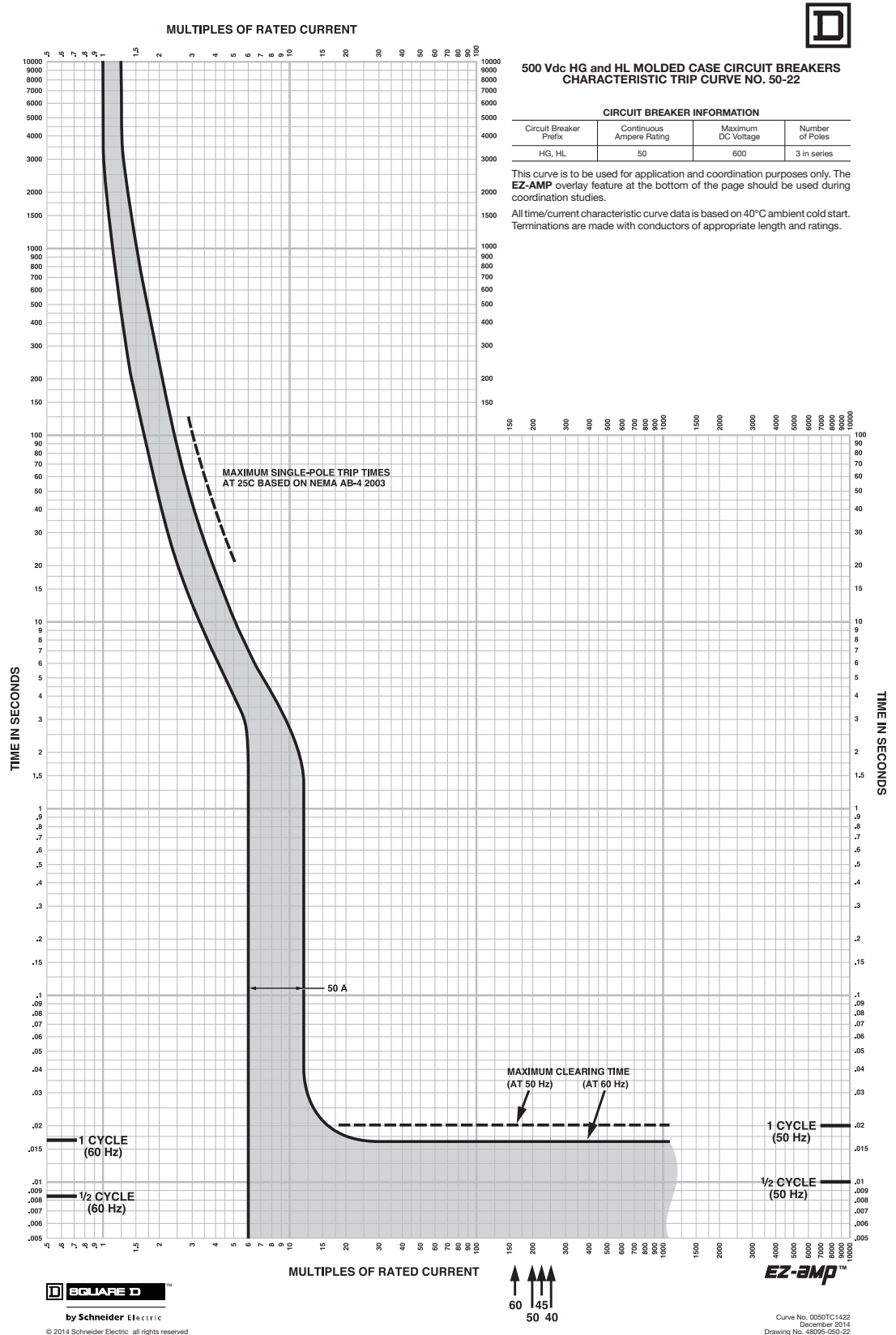
PowerPact H-, J-, and L-Frame Circuit Breakers Trip Curves

Figure 74: HG and HL 30 A 500Vdc Thermal-Magnetic Trip



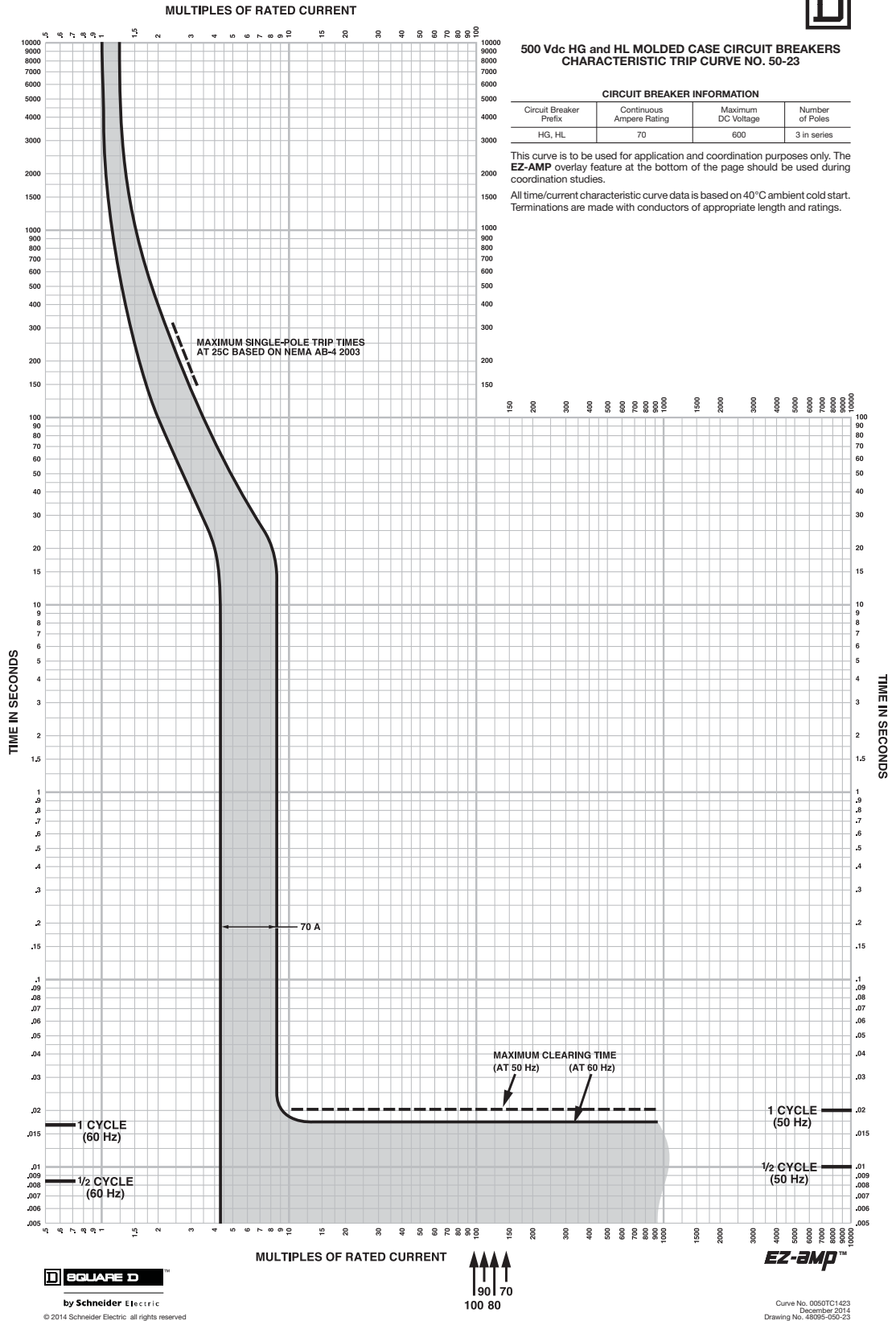
PowerPact H-, J-, and L-Frame Circuit Breakers Trip Curves

Figure 75: HG and HL 50 A 500Vdc Thermal-Magnetic Trip



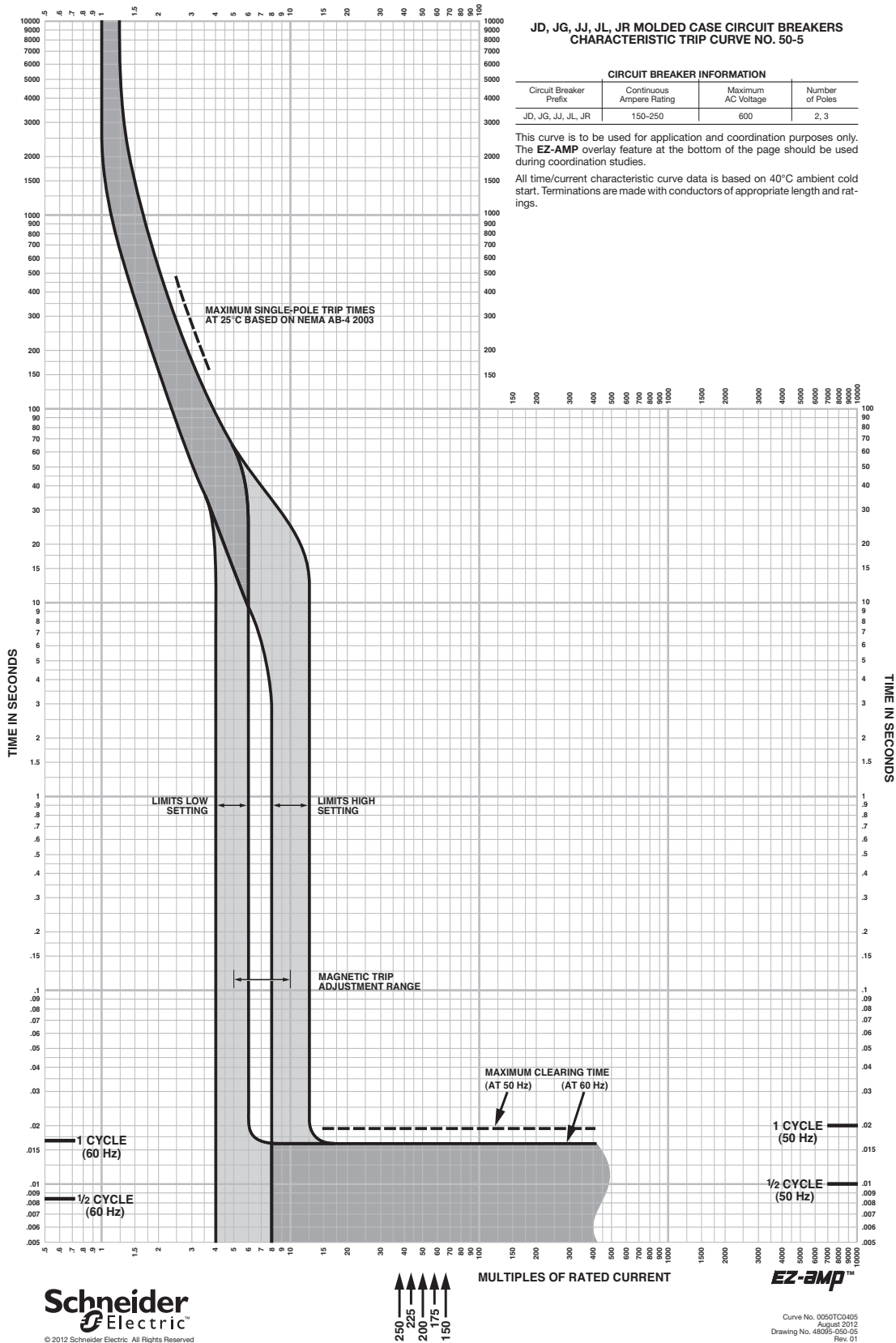
PowerPact H-, J-, and L-Frame Circuit Breakers Trip Curves

Figure 76: HG and HL 370 A 500Vdc Thermal-Magnetic Trip



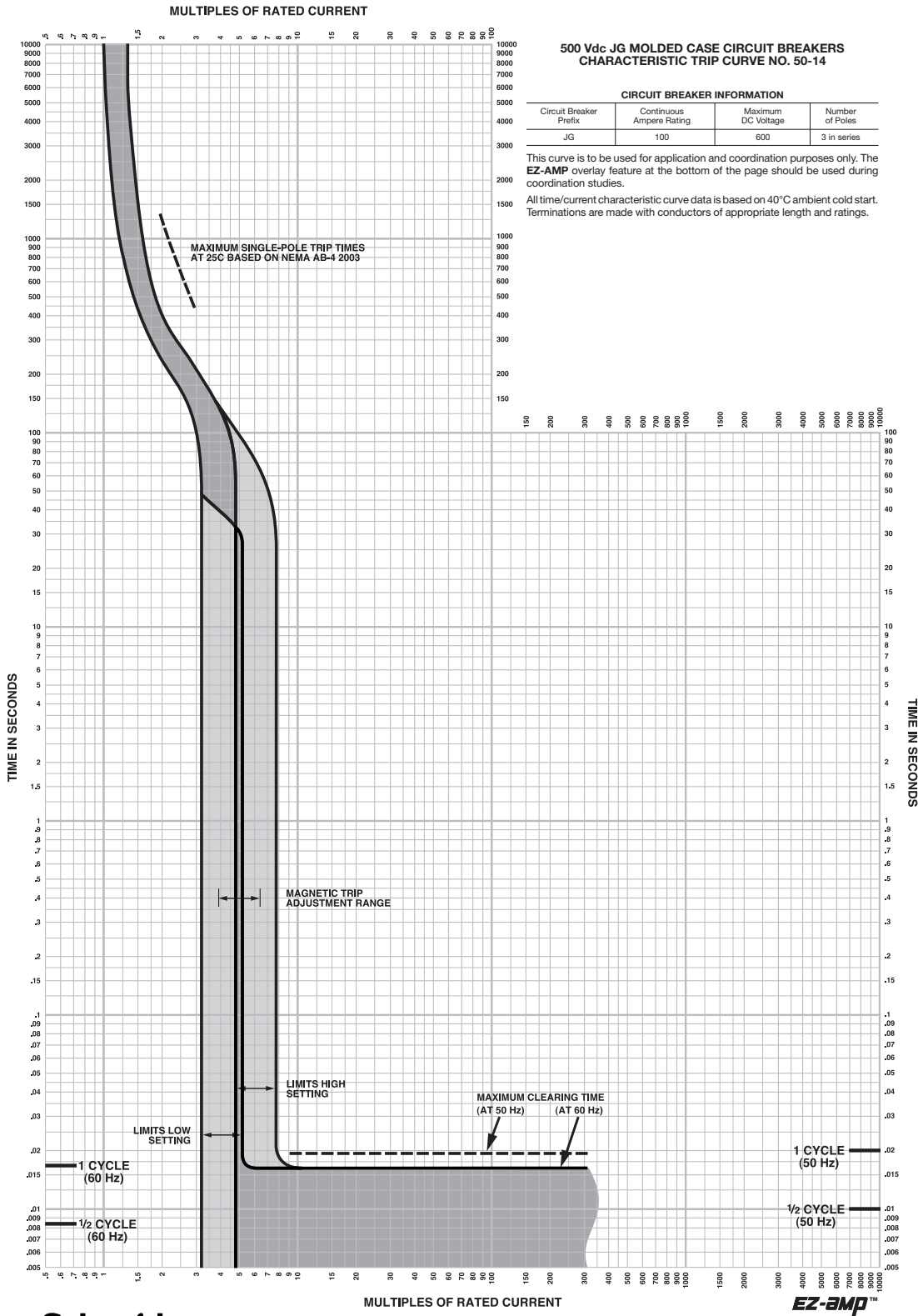
PowerPact H-, J-, and L-Frame Circuit Breakers Trip Curves

Figure 77: J-Frame 150–250 A (JD, JG, JJ, JL, and JR) Thermal-Magnetic Trip



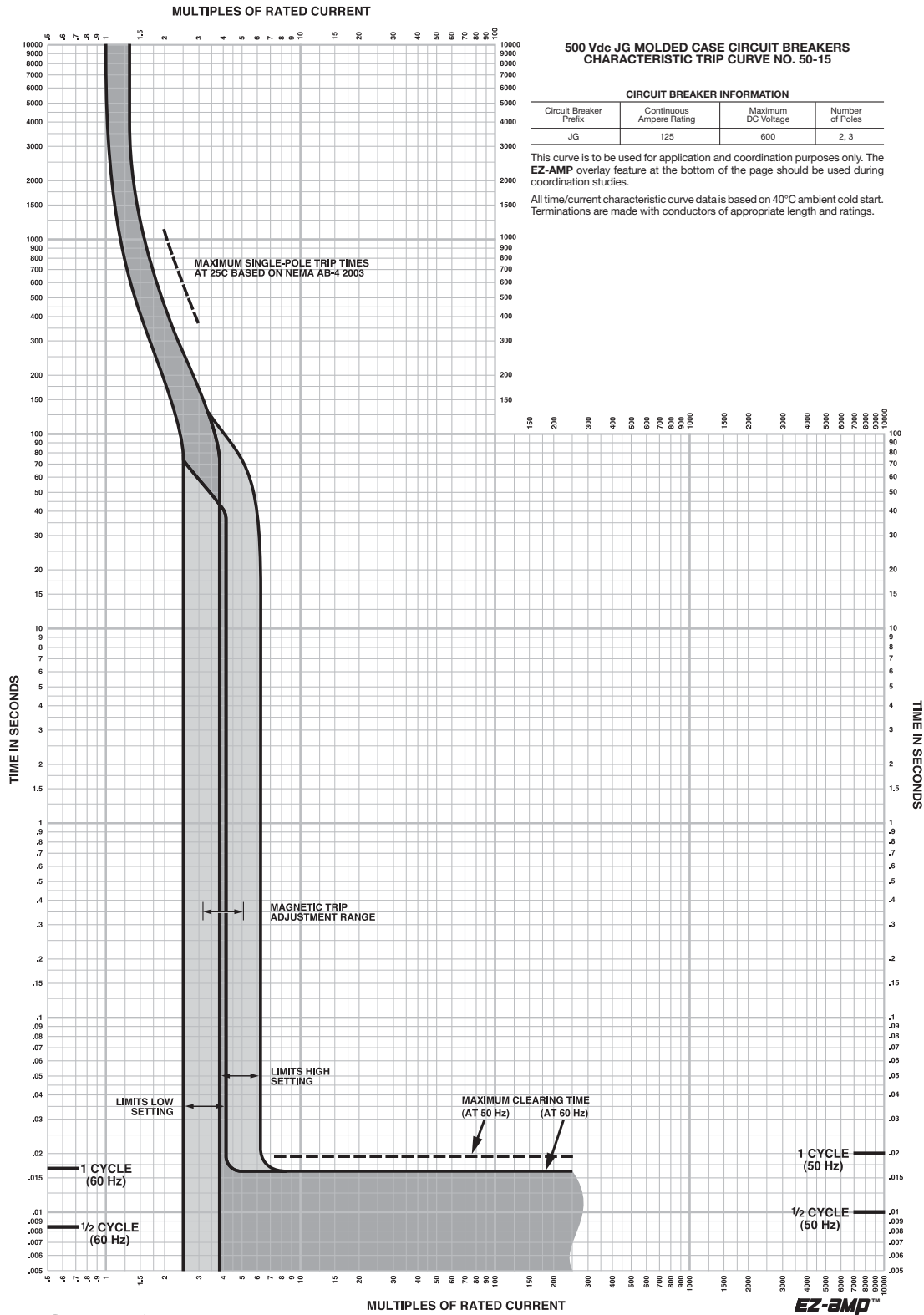
PowerPact H-, J-, and L-Frame Circuit Breakers Trip Curves

Figure 78: J-Frame 100 A (JG) 500 Vdc Thermal-Magnetic 500 Trip



PowerPact H-, J-, and L-Frame Circuit Breakers Trip Curves

Figure 79: J-Frame 125 A (JG) 500 Vdc Thermal-Magnetic Trip



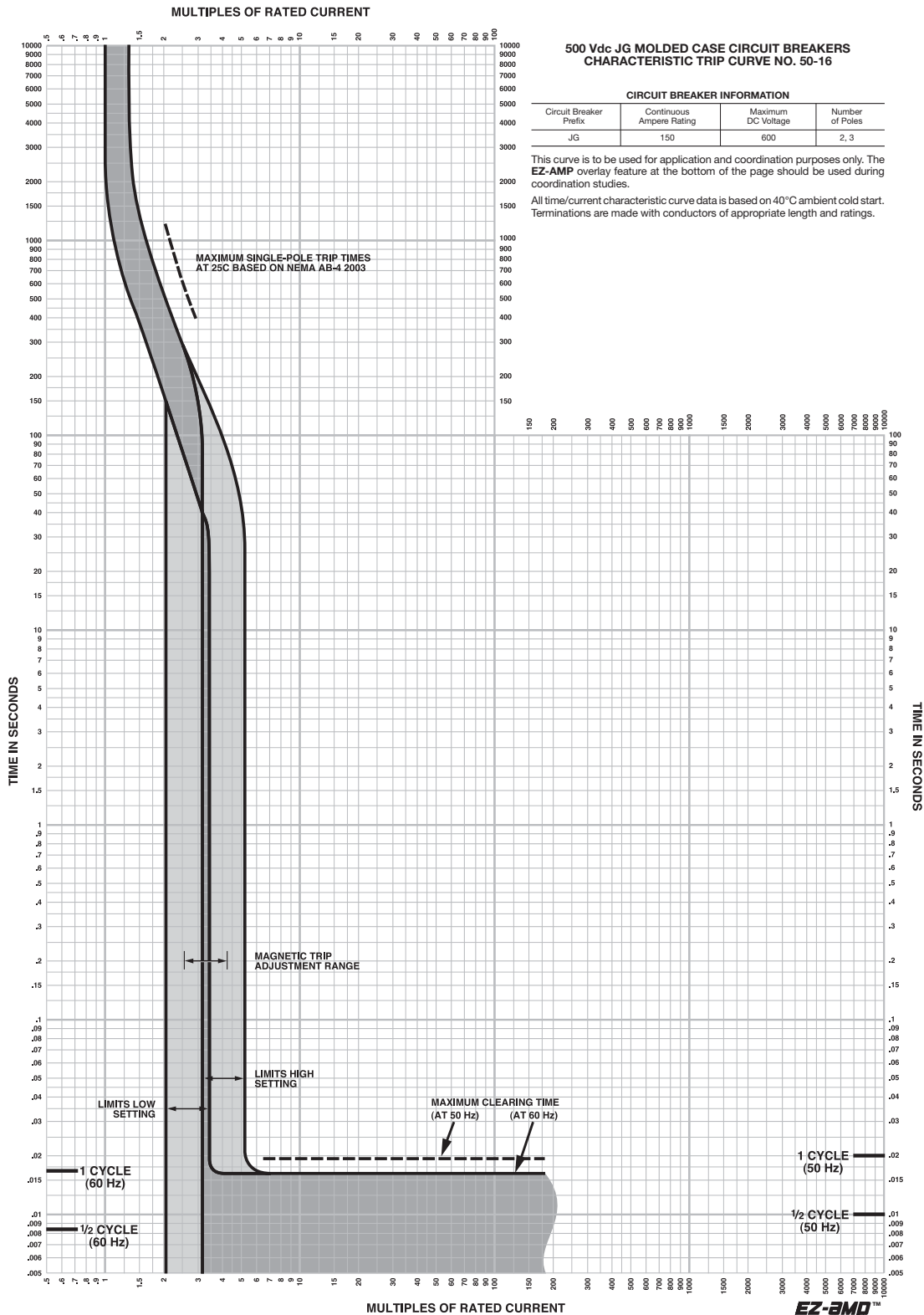
© 2009 Schneider Electric. All Rights Reserved.



Curve No. 0050TC0915
September 2009
Drawing No. 48095-050-15

PowerPact H-, J-, and L-Frame Circuit Breakers Trip Curves

Figure 80: J-Frame 150 A (JG) 500 Vdc Thermal-Magnetic Trip



500 Vdc JG MOLDED CASE CIRCUIT BREAKERS CHARACTERISTIC TRIP CURVE NO. 50-16

CIRCUIT BREAKER INFORMATION

Circuit Breaker Prefix	Continuous Ampere Rating	Maximum DC Voltage	Number of Poles
JG	150	600	2, 3

This curve is to be used for application and coordination purposes only. The EZ-AMP overlay feature at the bottom of the page should be used during coordination studies.

All time/current characteristic curve data is based on 40°C ambient cold start. Terminations are made with conductors of appropriate length and ratings.



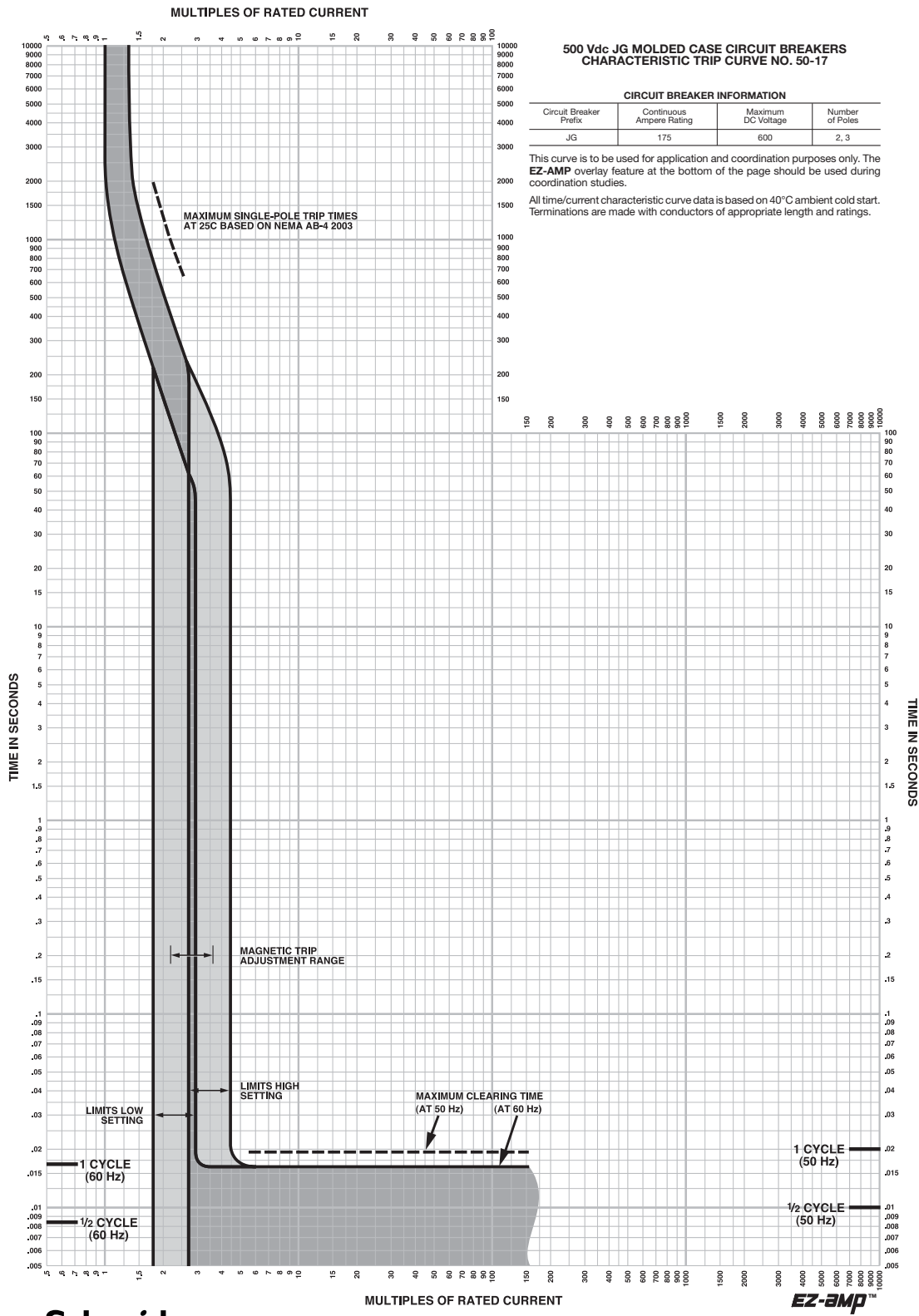
© 2009 Schneider Electric. All Rights Reserved



Curve No. 0050TC0916
September 2009
Drawing No. 49095-001-16

PowerPact H-, J-, and L-Frame Circuit Breakers Trip Curves

Figure 81: J-Frame 175 A (JG) 500 Vdc Thermal-Magnetic Trip

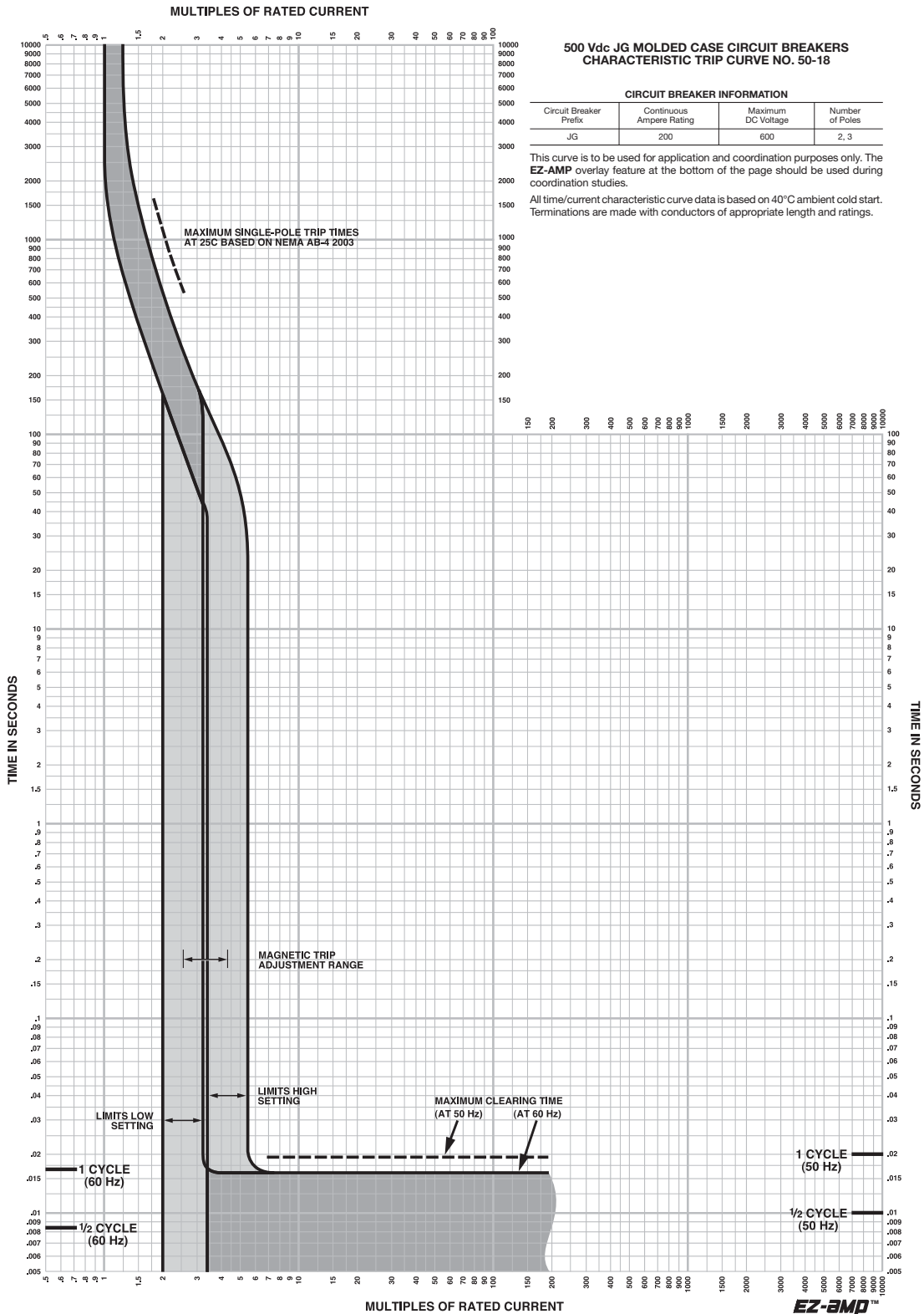


© 2009 Schneider Electric. All Rights Reserved

Curve No. 0050TC0917
September 2009
Drawing No. 48095-050-17

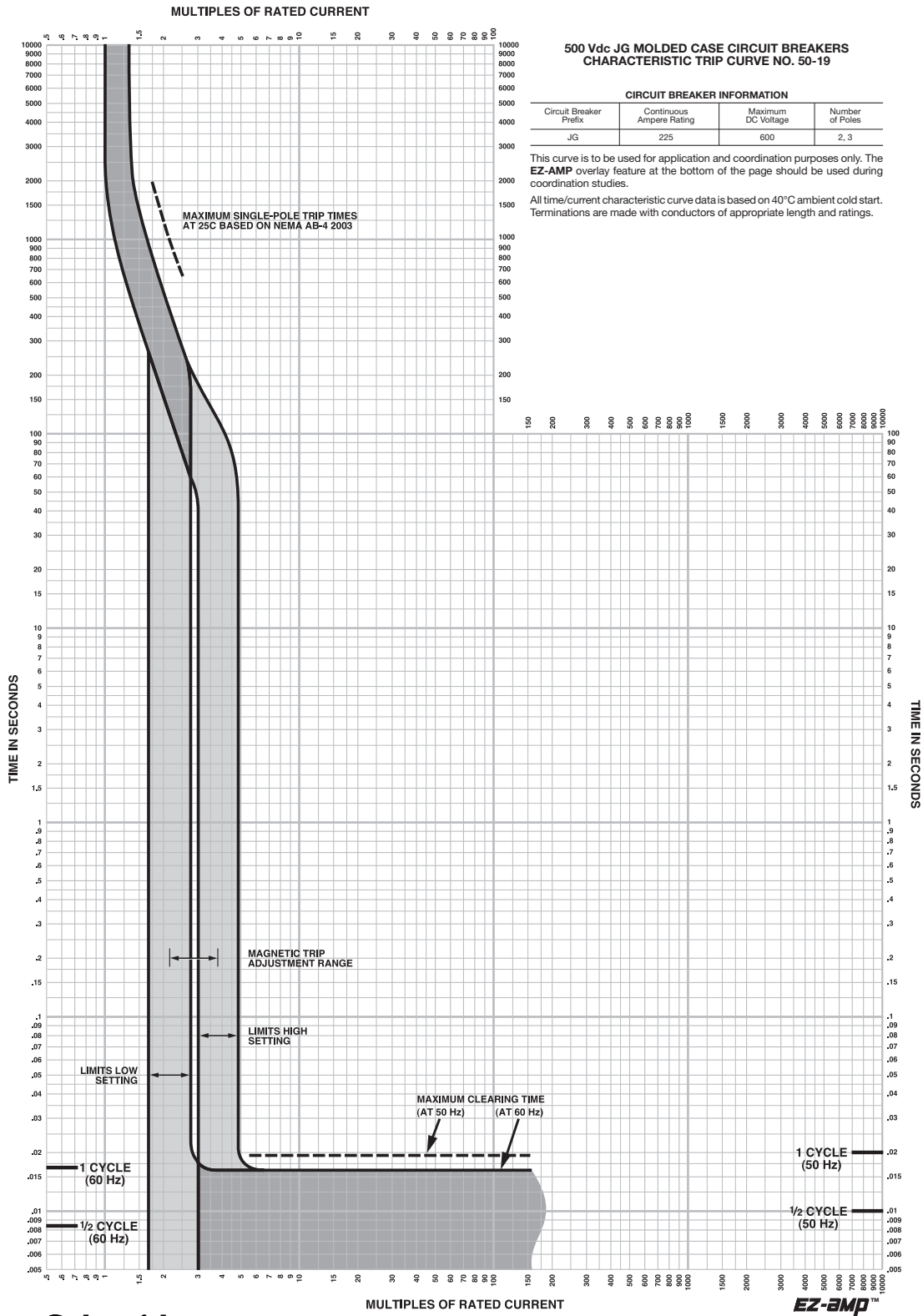
PowerPact H-, J-, and L-Frame Circuit Breakers Trip Curves

Figure 82: J-Frame 200 A (JG) 500 Vdc Thermal-Magnetic Trip



PowerPact H-, J-, and L-Frame Circuit Breakers Trip Curves

Figure 83: J-Frame 225 A (JG) 500 Vdc Thermal-Magnetic Trip



**500 Vdc JG MOLDED CASE CIRCUIT BREAKERS
CHARACTERISTIC TRIP CURVE NO. 50-19**

CIRCUIT BREAKER INFORMATION

Circuit Breaker Prefix	Continuous Ampere Rating	Maximum DC Voltage	Number of Poles
JG	225	600	2, 3

This curve is to be used for application and coordination purposes only. The **EZ-AMP** overlay feature at the bottom of the page should be used during coordination studies.

All time/current characteristic curve data is based on 40°C ambient cold start. Terminations are made with conductors of appropriate length and ratings.

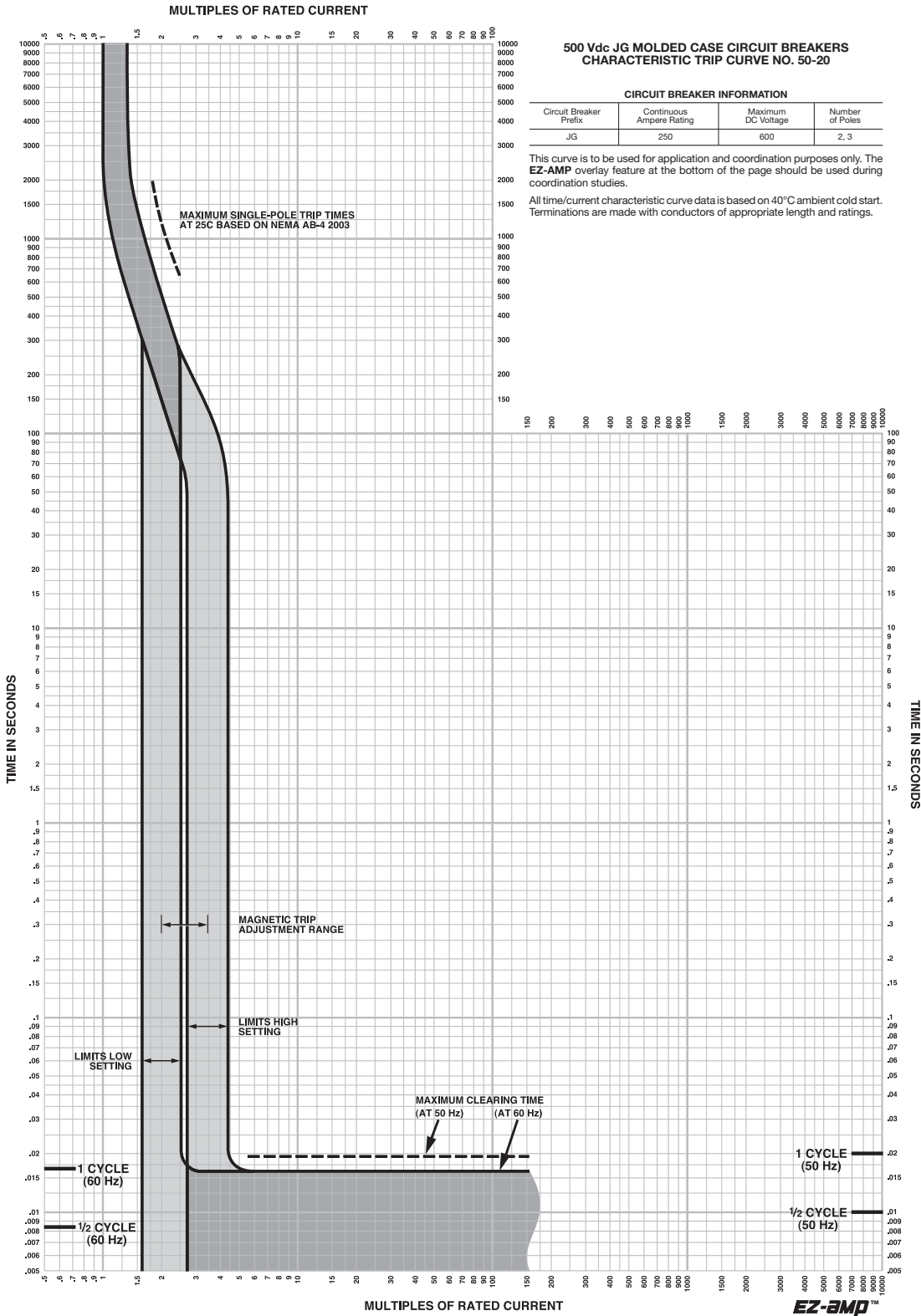


© 2009 Schneider Electric. All Rights Reserved

Curve No. 0050TC0919
September 2009
Drawing No. 48095-550-19

PowerPact H-, J-, and L-Frame Circuit Breakers Trip Curves

Figure 84: J-Frame 250 A (JG) 500 Vdc Thermal-Magnetic Trip



500 Vdc JG MOLDED CASE CIRCUIT BREAKERS CHARACTERISTIC TRIP CURVE NO. 50-20

CIRCUIT BREAKER INFORMATION

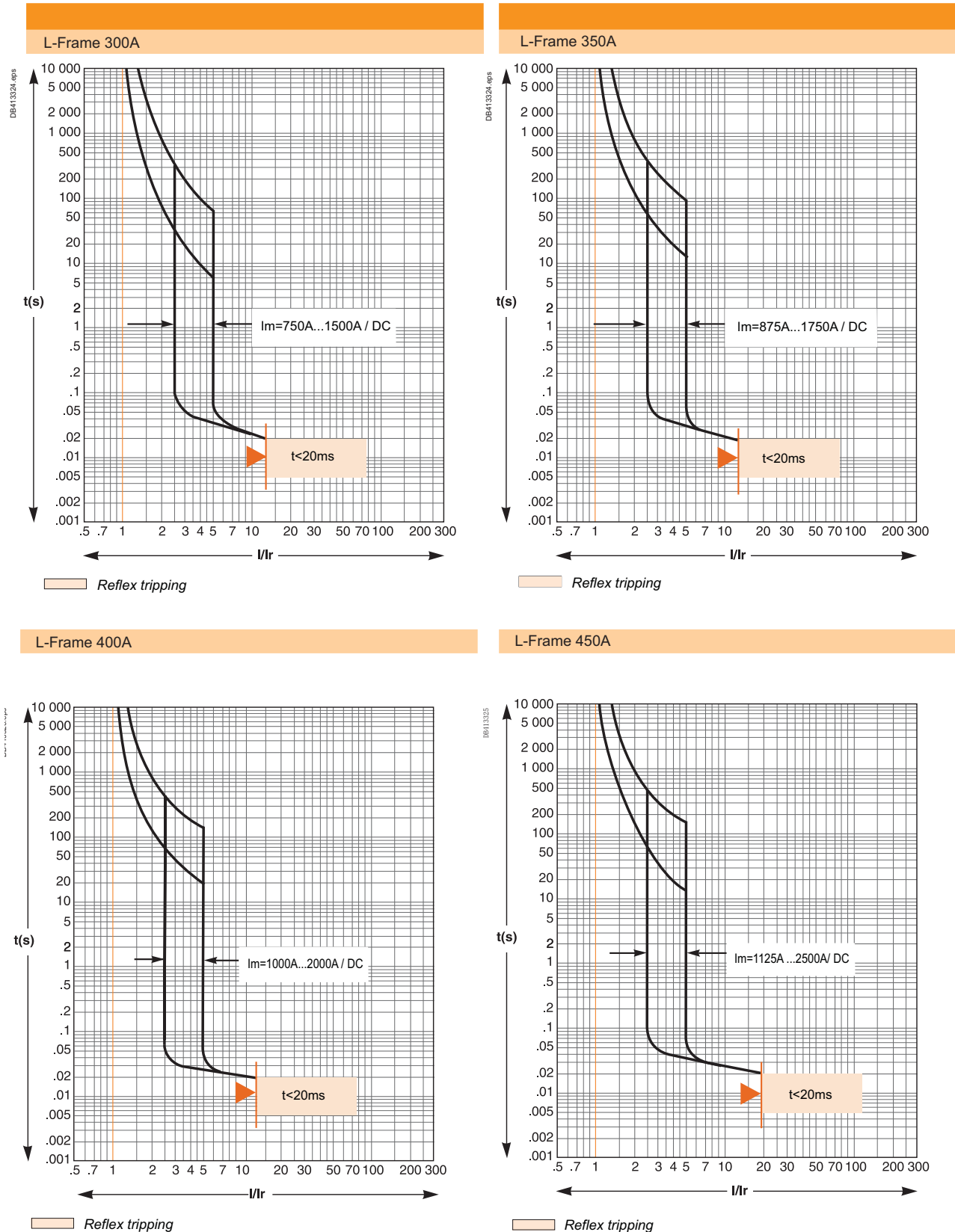
Circuit Breaker Prefix	Continuous Ampere Rating	Maximum DC Voltage	Number of Poles
JG	250	600	2, 3

This curve is to be used for application and coordination purposes only. The EZ-AMP overlay feature at the bottom of the page should be used during coordination studies.

All time/current characteristic curve data is based on 40°C ambient cold start. Terminations are made with conductors of appropriate length and ratings.

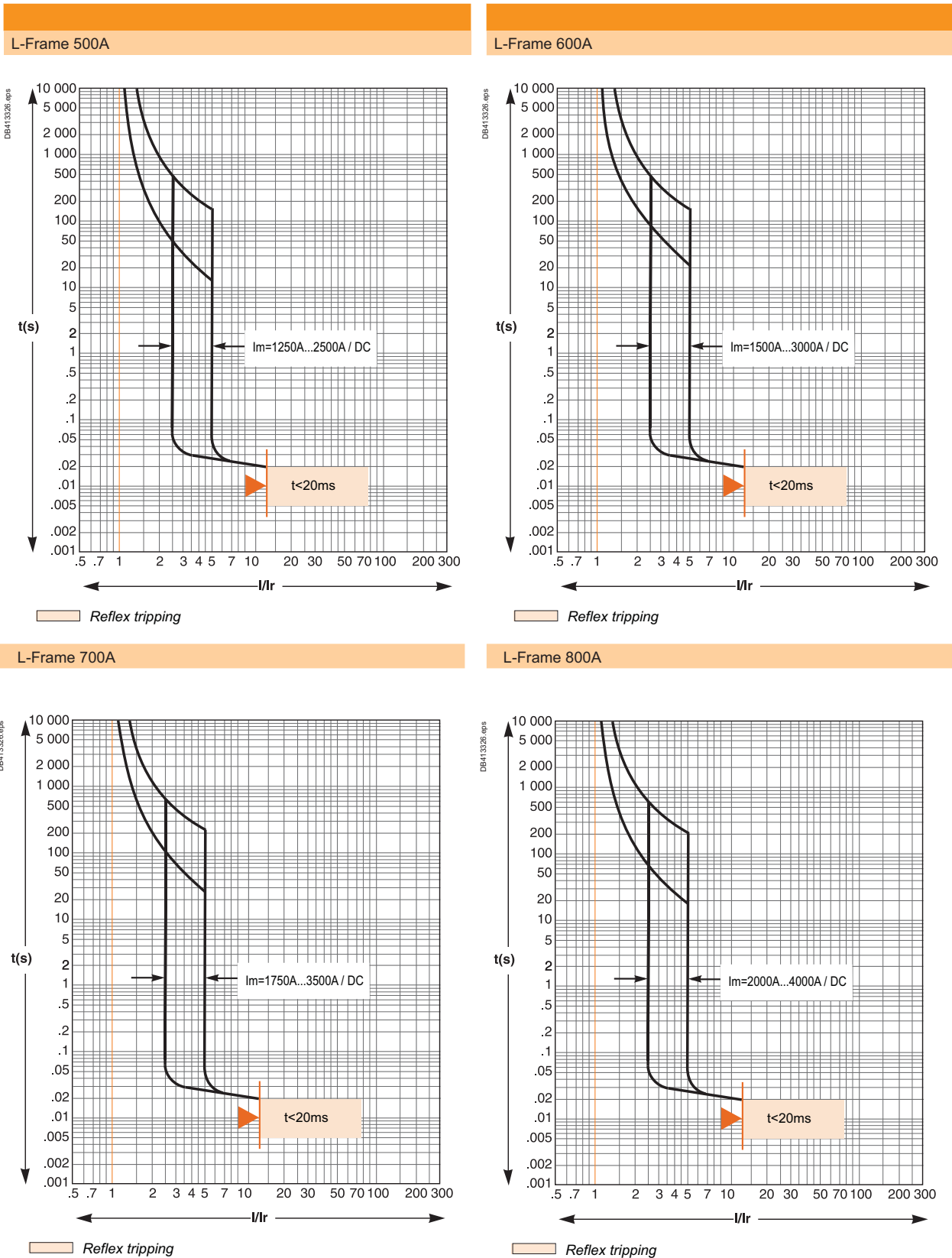
PowerPact H-, J-, and L-Frame Circuit Breakers Trip Curves

Figure 85: L-Frame 300–450 A (LG and LL) 500 Vdc Thermal-Magnetic Trip



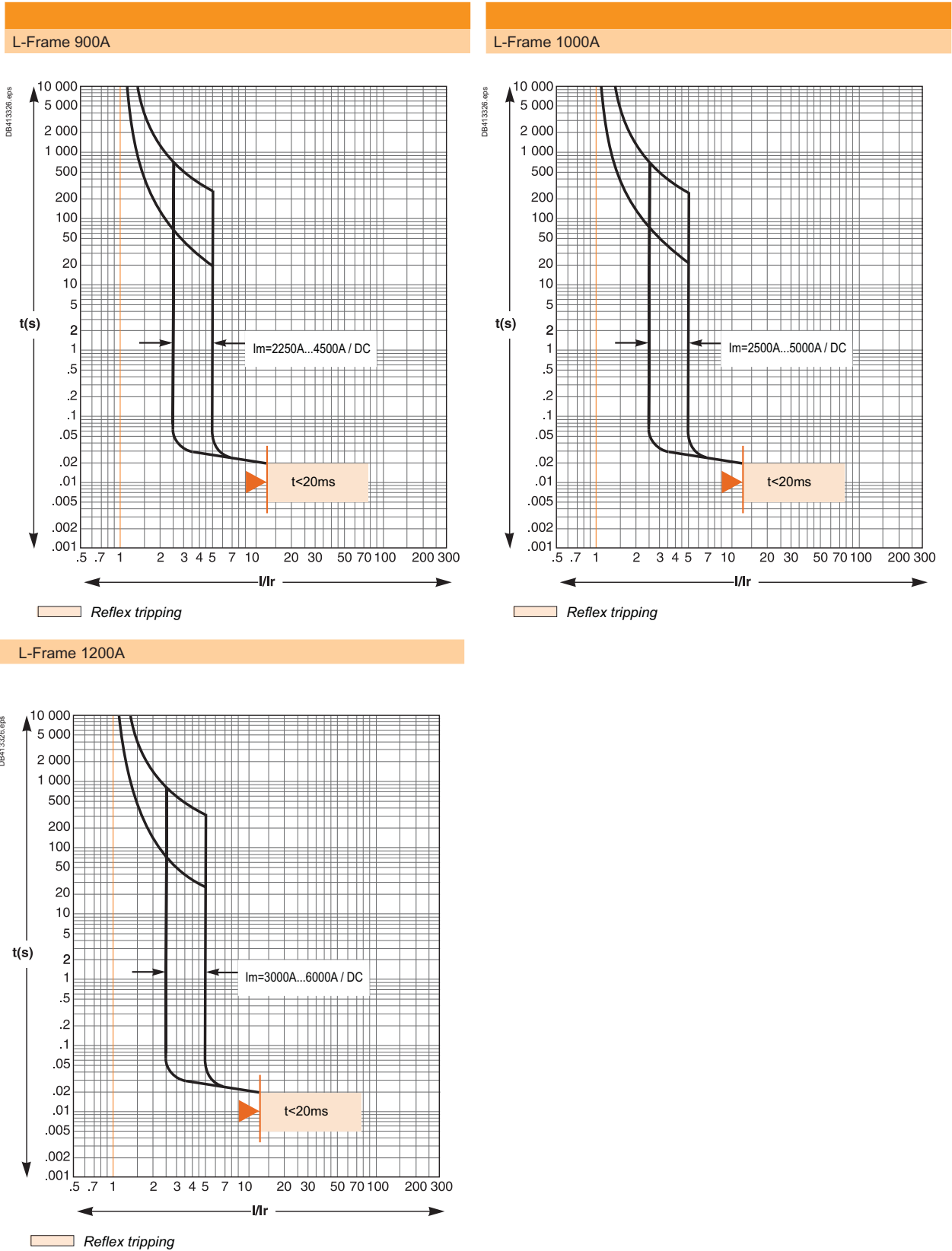
PowerPact H-, J-, and L-Frame Circuit Breakers Trip Curves

Figure 86: L-Frame 500–800 A (LG and LL) 500 Vdc Thermal-Magnetic Trip



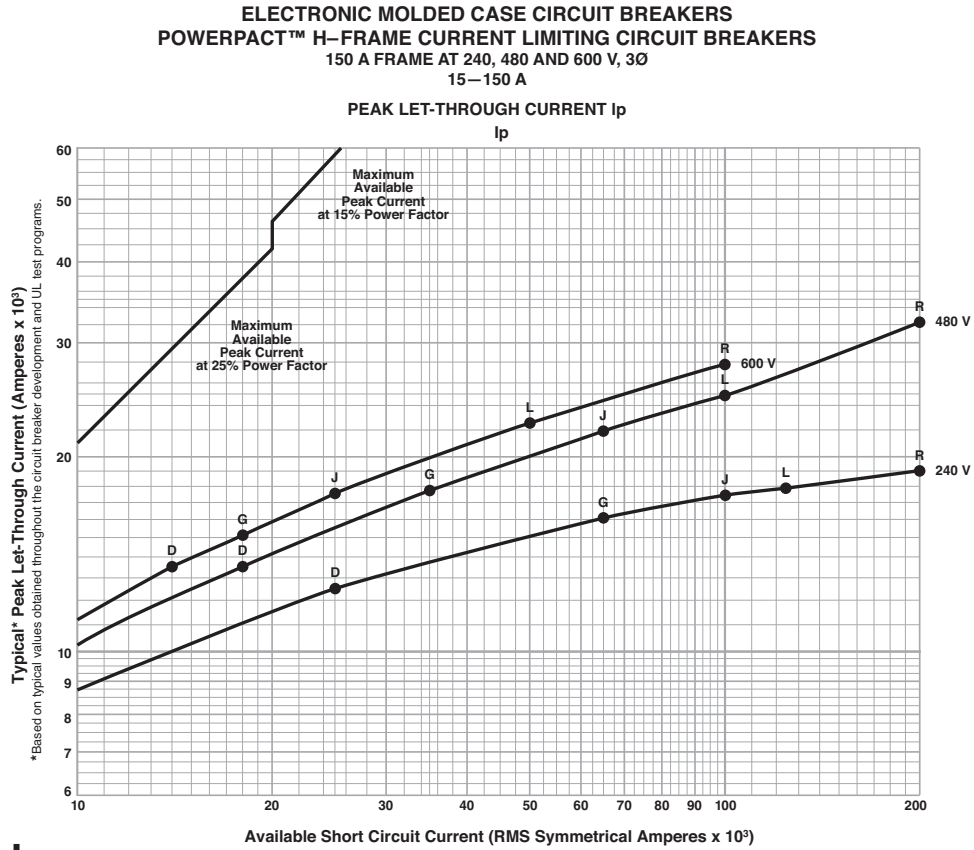
PowerPact H-, J-, and L-Frame Circuit Breakers Trip Curves

Figure 87: L-Frame 900–1200 A (LG and LL) 500 Vdc Thermal-Magnetic Trip



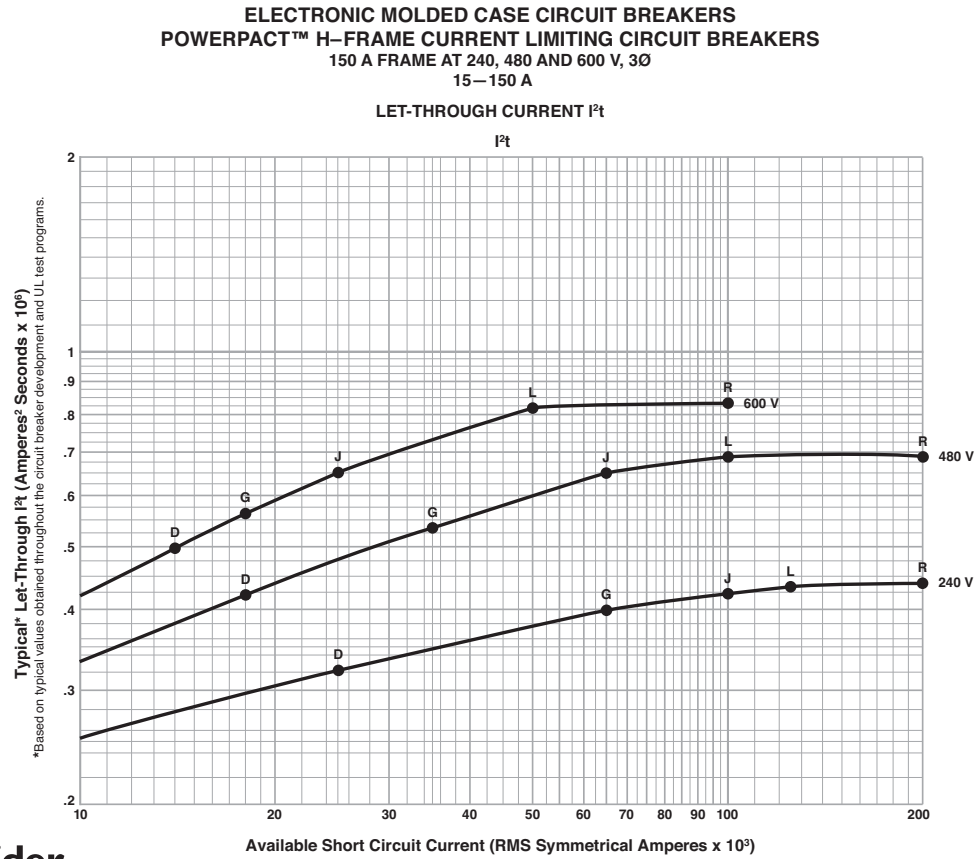
PowerPact H-, J-, and L-Frame Circuit Breakers Trip Curves

Figure 88: H-Frame 150 A Typical Peak Let-Through Curves



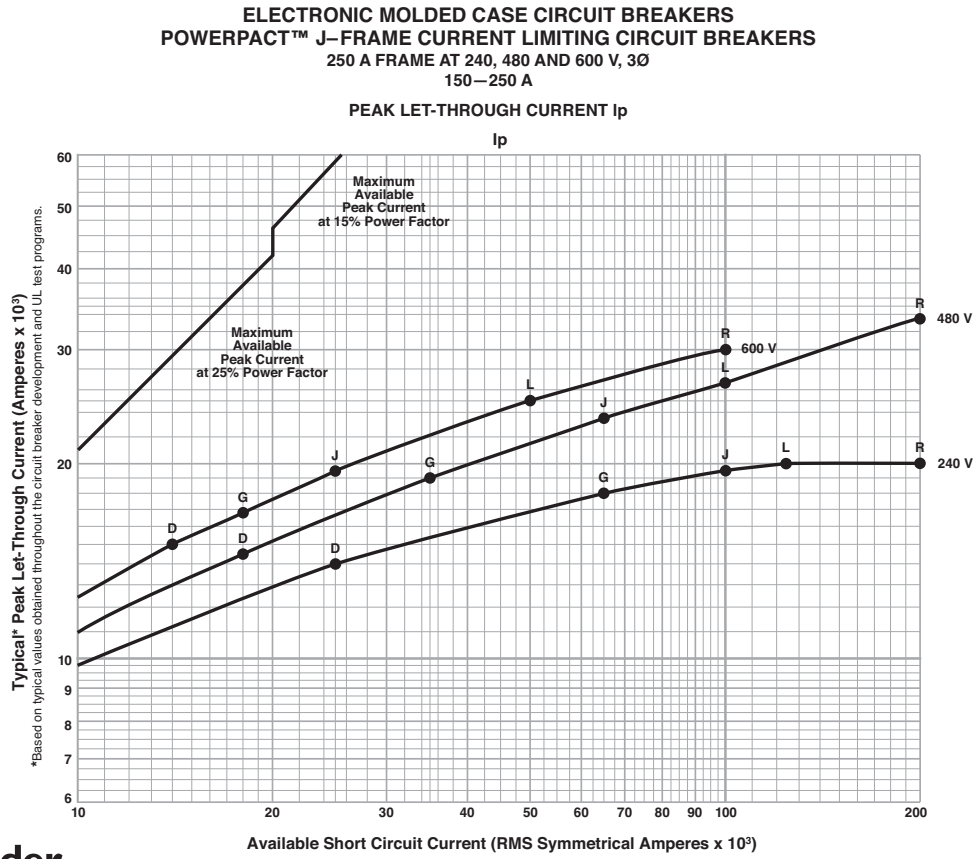
PowerPact H-, J-, and L-Frame Circuit Breakers Trip Curves

Figure 89: H-Frame 150 A Typical I²t Let-Through Curves



PowerPact H-, J-, and L-Frame Circuit Breakers Trip Curves

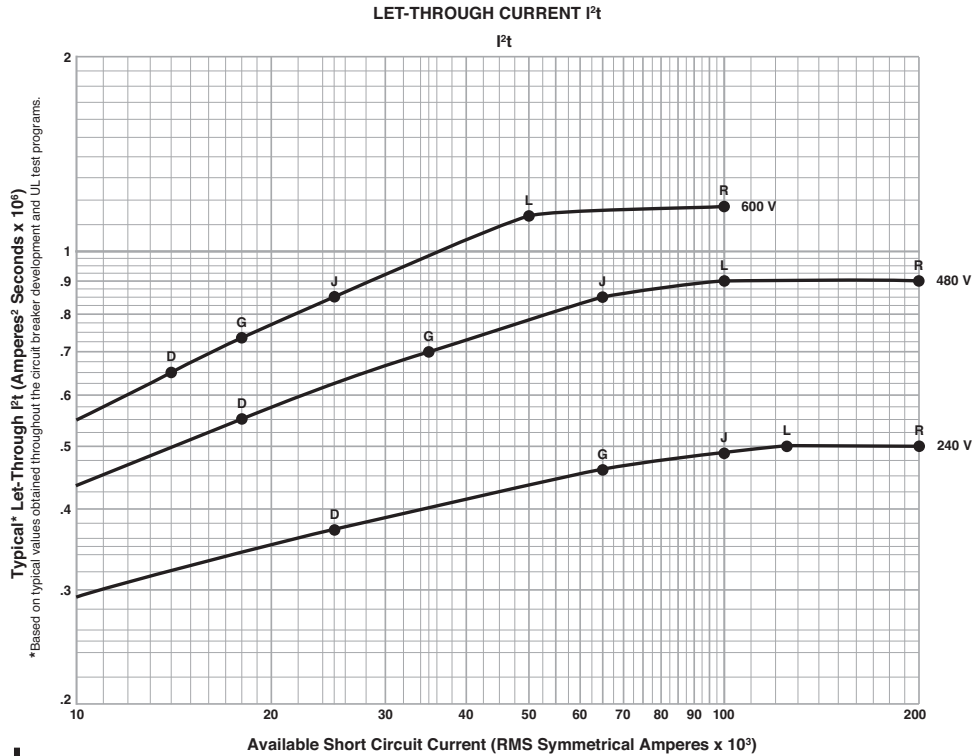
Figure 90: J-Frame 250 A Typical Peak Let-Through Curves



PowerPact H-, J-, and L-Frame Circuit Breakers Trip Curves

Figure 91: J-Frame 250 A Typical I^2t Let-Through Curves

ELECTRONIC MOLDED CASE CIRCUIT BREAKERS POWERPACT™ J-FRAME CURRENT LIMITING CIRCUIT BREAKERS 250 A FRAME AT 240, 480 AND 600 V, 3Ø 150–250 A

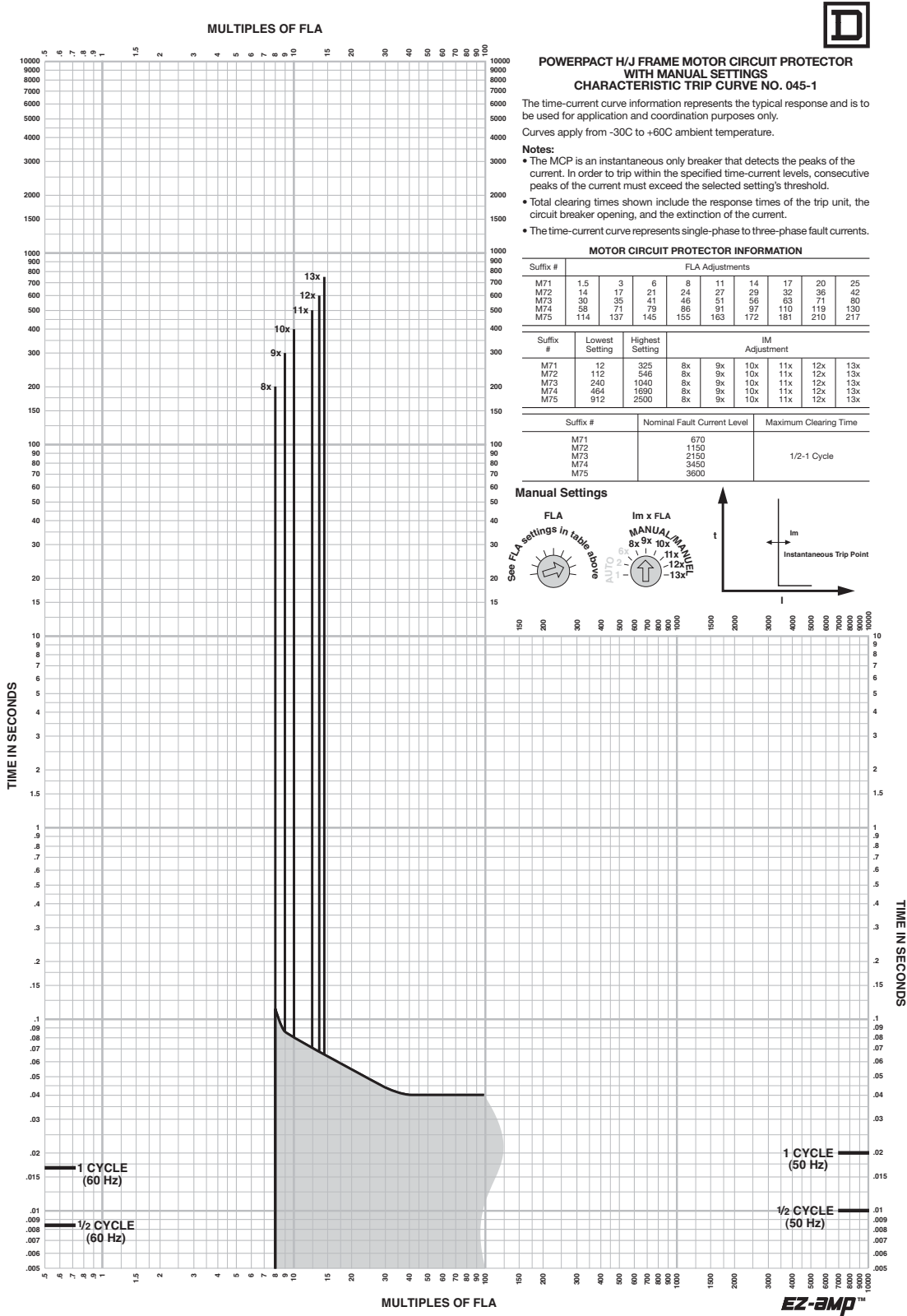


© 2012 Schneider Electric all rights reserved

Drawing No. 48095-050-08
April 2012
Rev. 01

PowerPact H-, J-, and L-Frame Circuit Breakers Trip Curves

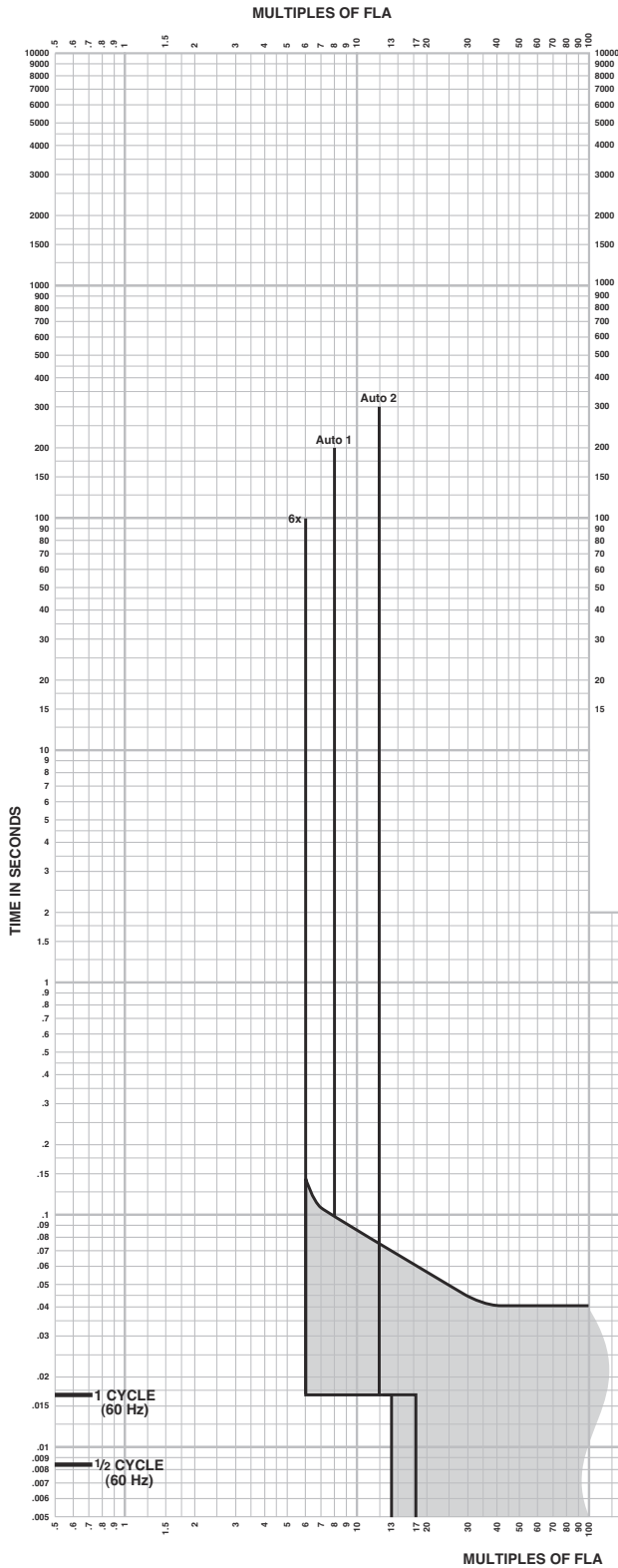
Figure 92: H- and J-Frame Motor Circuit Protector



Curve No. 0045TC0501
August 2006
Drawing No. 48095-045-01

PowerPact H-, J-, and L-Frame Circuit Breakers Trip Curves

Figure 93: H- and J-Frame Motor Circuit Protector



POWERPACT H/J FRAME MOTOR CIRCUIT PROTECTOR WITH AUTO SETTINGS CHARACTERISTIC TRIP CURVE NO. 045-2

The time-current curve information represents the typical response and is to be used for application and coordination purposes only. Curves apply from -30C to +60C ambient temperature.

Notes:

- The MCP is an instantaneous only breaker that detects the peaks of the current. In order to trip within the specified time-current levels, consecutive peaks of the current must exceed the selected setting's threshold.
- Total clearing times shown include the response times of the trip unit, the circuit breaker opening, and the extinction of the current.
- The time-current curve represents single-phase to three-phase fault currents.

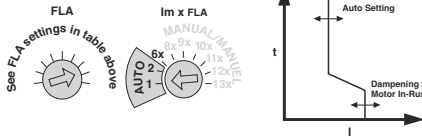
MOTOR CIRCUIT PROTECTOR INFORMATION

Suffix #	FLA Adjustments								
	1.5	3	6	8	11	14	17	20	25
M71	1.5	3	6	8	11	14	17	20	25
M72	14	17	21	24	27	29	32	36	42
M73	30	35	41	46	51	56	63	71	80
M74	58	71	79	86	91	97	110	119	130
M75	114	137	145	155	163	172	181	210	217

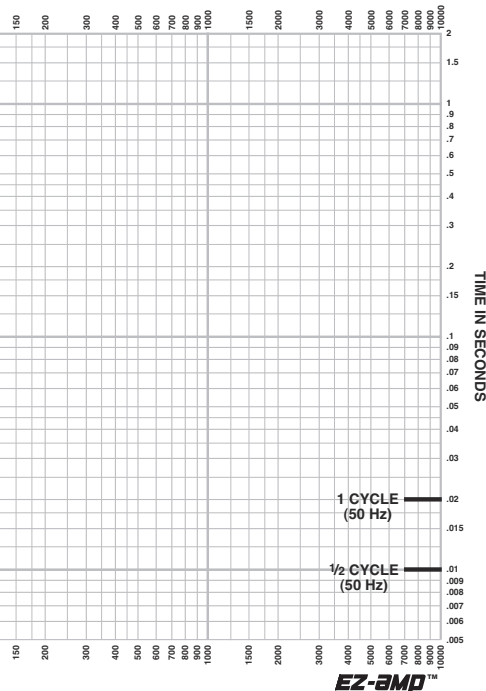
Suffix #	Auto Setting	Instantaneous Trip Point % FLA	Dampening For Motor In-Rush % FLA
M71, M72 M73, M74	Auto 1	800	1300
	Auto 2	1100	1700
	6x	600	1300
M75	Auto 1	800	1300
	Auto 2	1100	1100 - 1700
	6x	600	1100 - 1300

Suffix #	Nominal Fault Current Level	Maximum Clearing Time
M71	670	1/2-1 Cycle
M72	1150	
M73	2150	
M74	3450	
M75	3600	

Automatic Settings



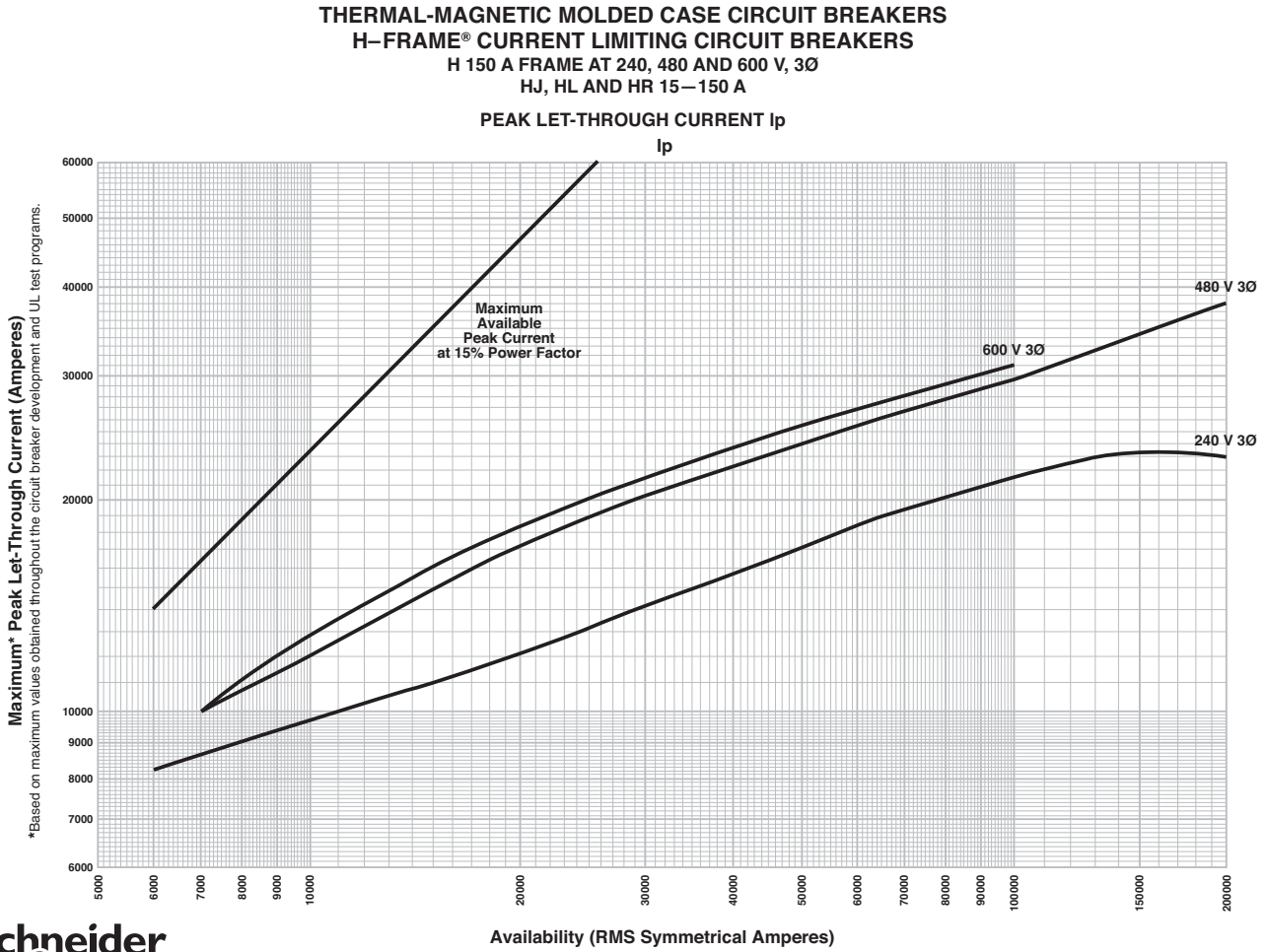
Motor Type/Type de Motor/Type de Moteur	Auto	NEMA	IEC	Type/Type
1	A, B, C, D	N	Standard	
2	B, E	H	Energy Efficient Energie Efficace Energia Efficiente	



Curve No. 0045TC0602
August 2006
Drawing No. 4805-045-02

PowerPact H-, J-, and L-Frame Circuit Breakers Trip Curves

Figure 94: H-Frame UL Listed Current-Limiting Circuit Breaker



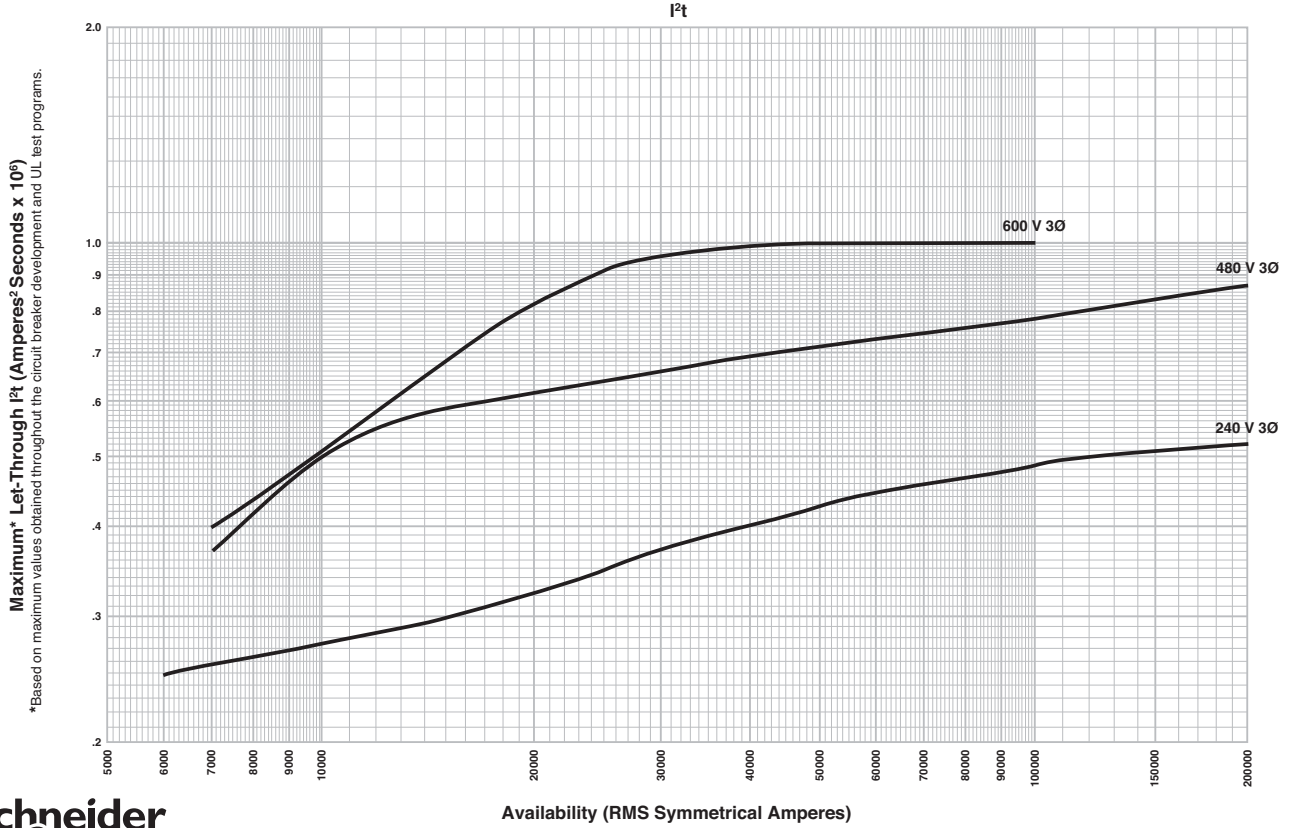
Schneider Electric
© 2012 Schneider Electric all rights reserved

Drawing No. 48095-050-10
April 2012
Rev. 02

PowerPact H-, J-, and L-Frame Circuit Breakers Trip Curves

Figure 95: H-Frame UL Listed Current-Limiting Circuit Breaker

THERMAL-MAGNETIC MOLDED CASE CIRCUIT BREAKERS
H-FRAME® CURRENT LIMITING CIRCUIT BREAKERS
H 150 A FRAME AT 240, 480 AND 600 V, 3Ø
HJ, HL AND HR 15–150 A
LET-THROUGH CURRENT I^2t



*Based on maximum values obtained throughout the circuit breaker development and UL test programs.

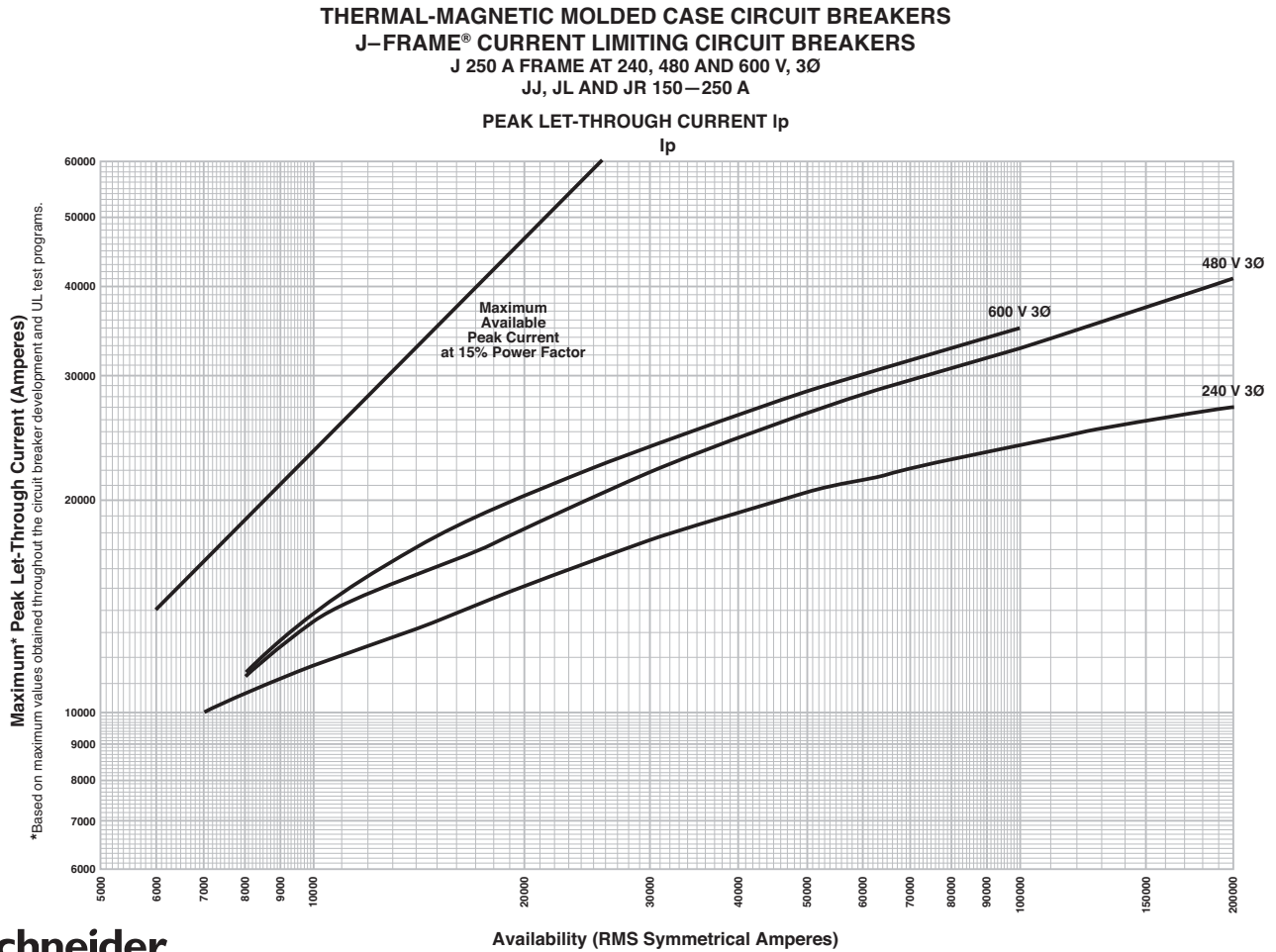


© 2012 Schneider Electric all rights reserved

Drawing No. 48095-050-11
April 2012
Rev. 02

PowerPact H-, J-, and L-Frame Circuit Breakers Trip Curves

Figure 96: J-Frame UL Listed Current -Limiting Circuit Breaker

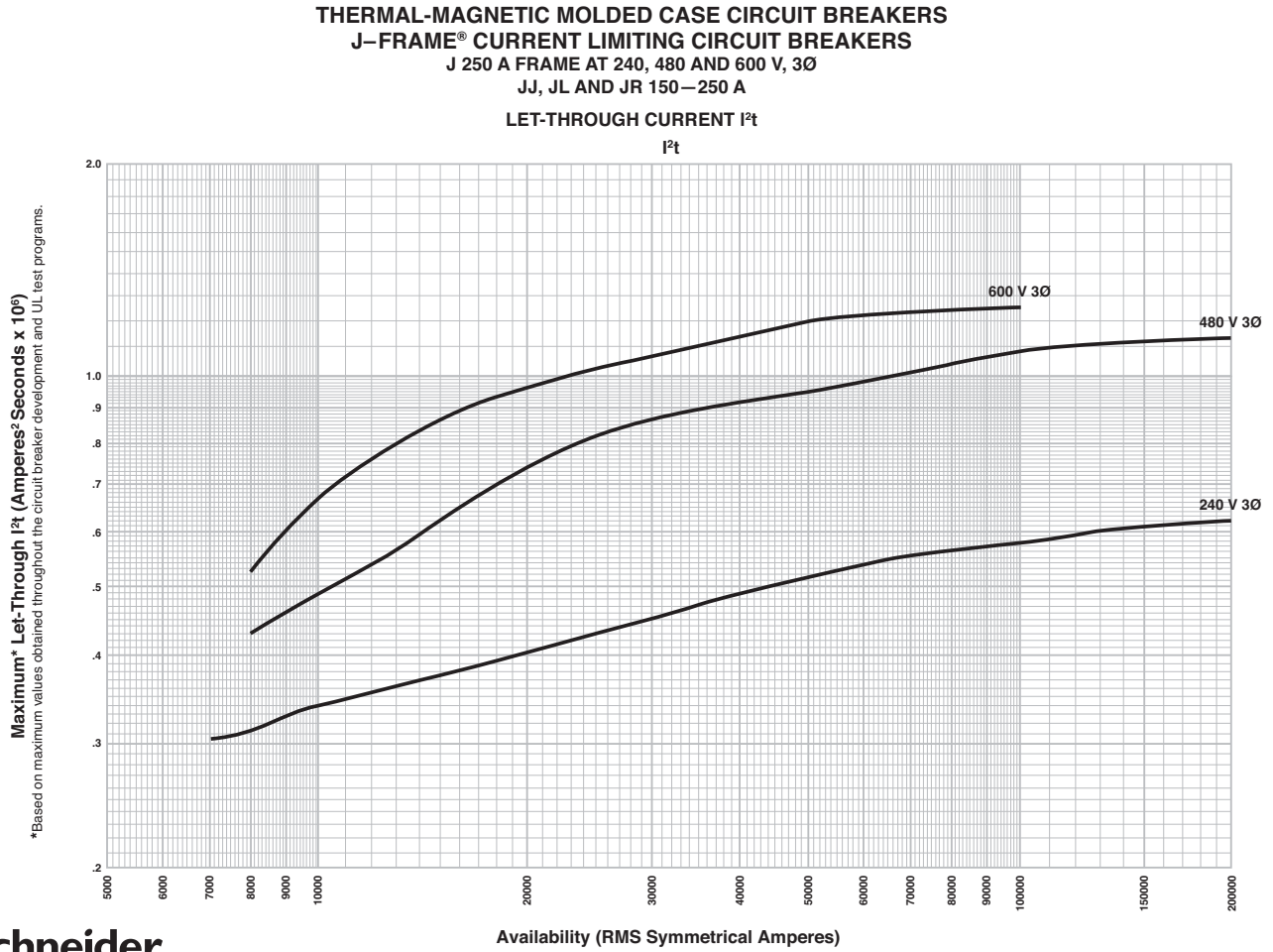


© 2012 Schneider Electric all rights reserved

Drawing No. 48095-050-12
April 2012
Rev. 02

PowerPact H-, J-, and L-Frame Circuit Breakers Trip Curves

Figure 97: J-Frame UL Listed Current-Limiting Circuit Breaker



© 2012 Schneider Electric all rights reserved

Drawing No. 48095-050-13
 April 2012
 Rev. 02

PowerPact H-, J-, and L-Frame Circuit Breakers Trip Curves

Figure 98: Ground Fault Module GFM150HD Trip Curve

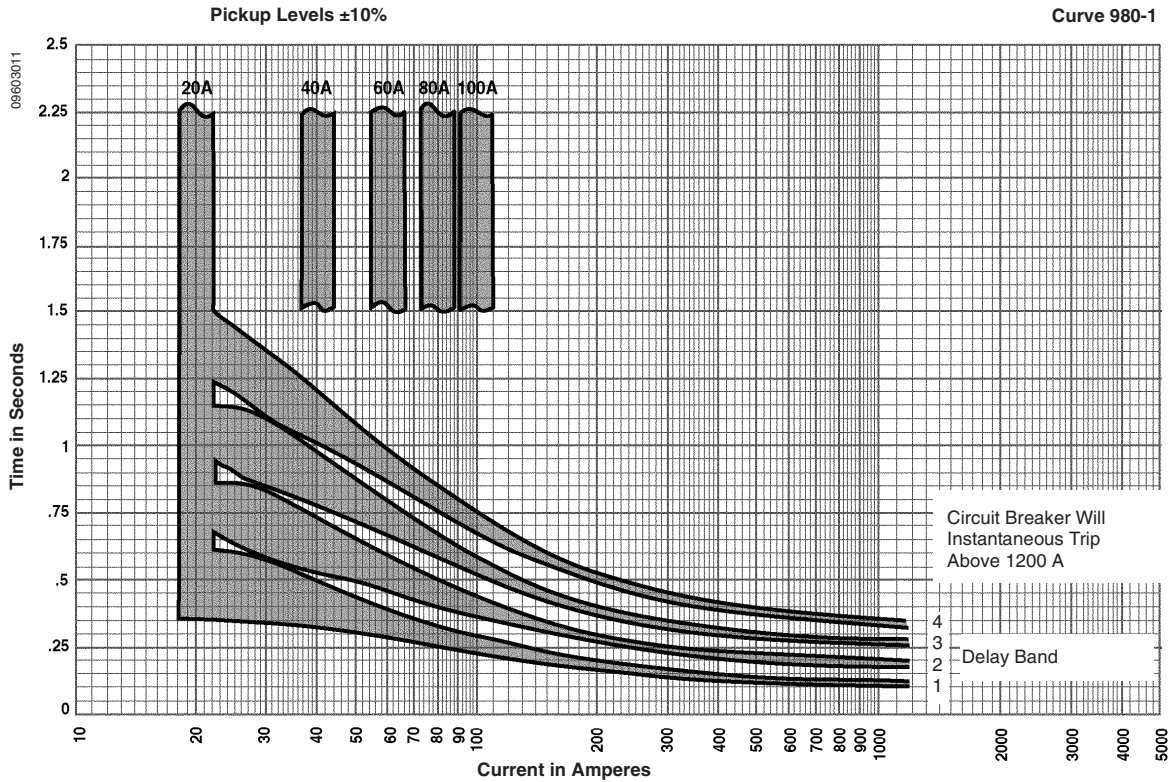
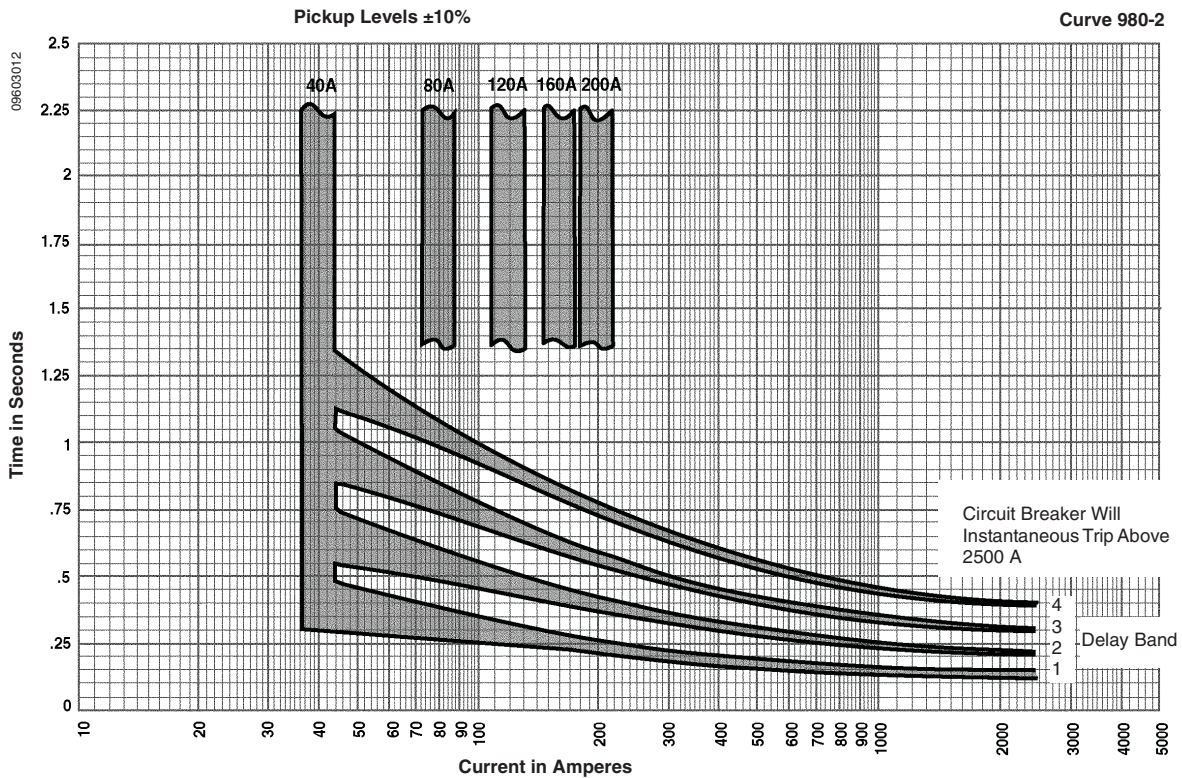
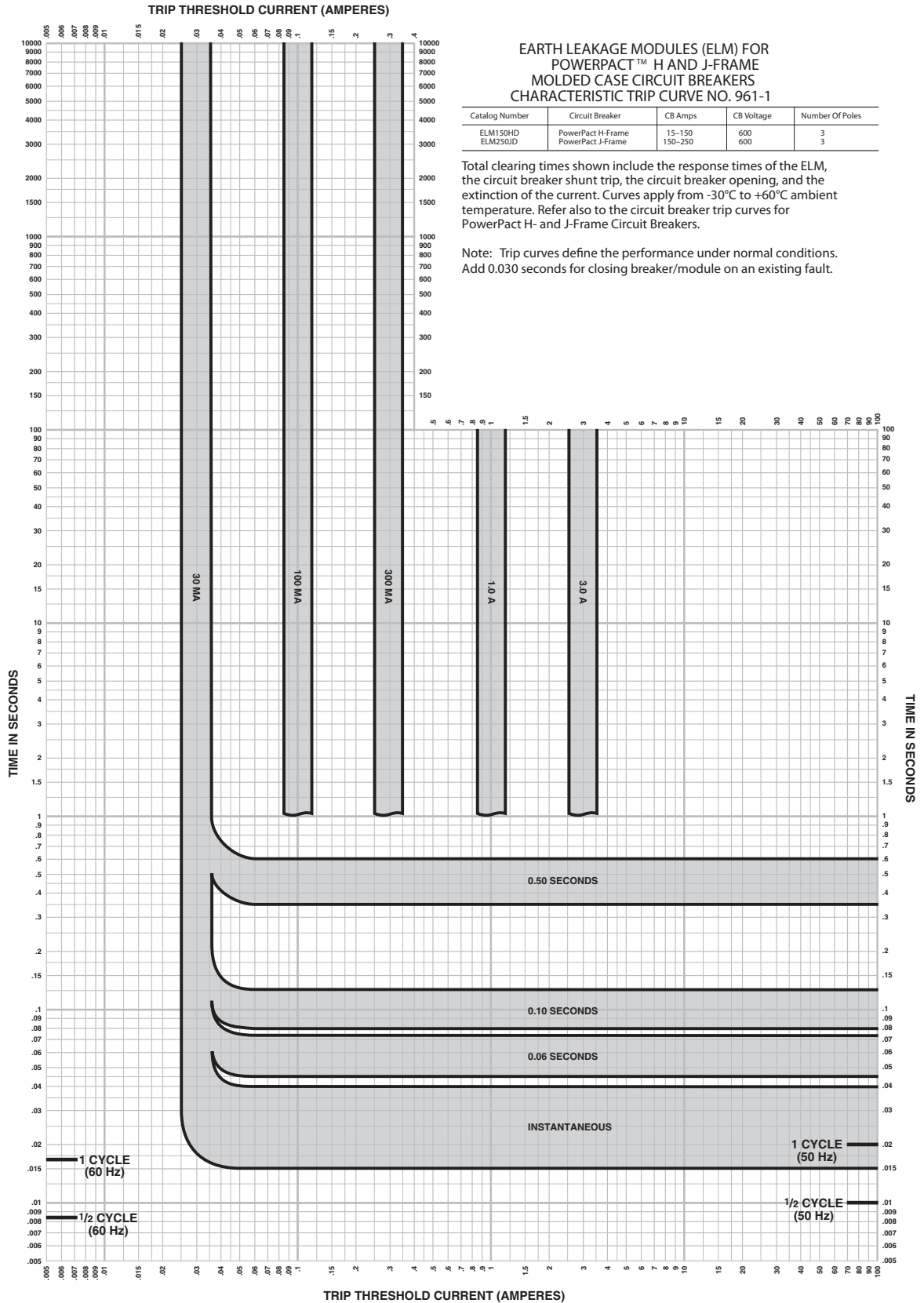


Figure 99: Ground Fault Module GFM250JD Trip Curve



PowerPact H-, J-, and L-Frame Circuit Breakers Trip Curves

Figure 100: Earth Leakage Module Trip Curve



PowerPact H-, J-, and L-Frame Circuit Breakers Trip Curves

PowerPact H- and J-Frame Thermal-Magnetic Trip MCP Instantaneous Trip Points

Table 143: M71 Instantaneous Trip Points

		Automatic Setting (A)		Manual Adjustment (A)						
I_m Setting		1	2	6x	8x	9x	10x	11x	12x	13x
Motor Type	NEMA	A, B, C, D	B, E	(FLA) x (I_m)						
	IEC	N	H							
FLA	1.5	12	16.5	9	12	13.5	15	16.5	18	19.5
	3	24	33	18	24	27	30	33	36	39
	6	48	66	36	48	54	60	66	72	78
	8	64	88	48	64	72	80	88	96	104
	11	88	121	66	88	99	110	121	132	143
	14	112	154	84	112	126	140	154	168	182
	17	136	187	102	136	153	170	187	204	221
	20	160	220	120	160	180	200	220	240	260
	25	200	275	150	200	225	250	275	300	325
Dampening for motor in-rush (% FLA)		1300%	1700%	1300%	—					

Table 144: M72 Instantaneous Trip Points

		Automatic Setting (A) ¹		Manual Adjustment (A) ¹						
I_m Setting		1	2	6x	8x	9x	10x	11x	12x	13x
Motor Type	NEMA	A, B, C, D	B, E	(FLA) x (I_m)						
	IEC	N	H							
FLA	14	112	154	84	112	126	140	154	168	182
	17	136	187	102	136	153	170	187	204	221
	21	168	231	126	168	189	210	231	252	273
	24	192	264	144	192	216	240	264	288	312
	27	216	297	162	216	243	270	297	324	351
	29	232	319	174	232	261	290	319	348	377
	32	256	352	192	256	288	320	352	384	416
	36	288	396	216	288	324	360	396	432	468
	42	336	462	252	336	378	420	462	504	546
Dampening for motor in-rush (% FLA)		1300%	1700%	1300%	—					

¹ ± 5% of nominal amperage shown above.

PowerPact H-, J-, and L-Frame Circuit Breakers Trip Curves

Table 145: M73 Instantaneous Trip Points

		Automatic Setting (A) ¹		Manual Adjustment (A) ¹						
I _m Setting		1	2	6x	8x	9x	10x	11x	12x	13x
Motor Type	NEMA	A, B, C, D	B, E	(FLA) x (I _m)						
	IEC	N	H							
FLA	30	240	330	180	240	270	300	330	360	390
	35	280	385	210	280	315	350	385	420	455
	41	328	451	246	328	369	410	451	492	533
	46	368	506	276	368	414	460	506	552	598
	51	408	561	306	408	459	510	561	612	663
	56	448	616	336	448	504	560	616	672	728
	63	504	693	378	504	567	630	693	756	819
	71	568	781	426	568	639	710	781	852	923
	80	640	880	480	640	720	800	880	960	1040
Dampening for motor in-rush (% FLA)		1300%	1700%	1300%	—					

¹ ± 5% of nominal amperage shown above.

Table 146: M74 Instantaneous Trip Points

		Automatic Setting (A) ¹		Manual Adjustment (A) ¹						
I _m Setting		1	2	6x	8x	9x	10x	11x	12x	13x
Motor Type	NEMA	A, B, C, D	B, E	(FLA) x (I _m)						
	IEC	N	H							
FLA	58	464	638	348	464	522	580	638	696	754
	71	568	781	426	568	639	710	781	852	923
	79	632	869	474	632	711	790	869	948	1027
	86	688	946	516	688	774	860	946	1032	1118
	91	728	1001	546	728	819	910	1001	1092	1183
	97	776	1067	582	776	873	970	1067	1164	1261
	110	880	1210	660	880	990	1100	1210	1320	1430
	119	952	1309	714	952	1071	1190	1309	1428	1547
	130	1040	1430	780	1040	1170	1300	1430	1560	1690
Dampening for motor in-rush (% FLA)		1300%	1700%	1300%	—					

¹ ± 5% of nominal amperage shown above.

Table 147: M75 Instantaneous Trip Points

		Automatic Setting (A) ¹		Manual Adjustment (A) ¹						
I _m Setting		1	2	6x	8x	9x	10x	11x	12x	13x
Motor Type	NEMA	A, B, C, D	B, E	(FLA) x (I _m)						
	IEC	N	H							
FLA	114	912	1254	684	912	1026	1140	1254	1368	1482
	137	1096	1507	822	1096	1233	1370	1507	1644	1781
	145	1160	1595	870	1160	1305	1450	1595	1740	1885
	155	1240	1705	930	1240	1395	1550	1705	1860	2015
	163	1304	1793	978	1304	1467	1630	1793	1956	2119
	172	1376	1892	1032	1376	1548	1720	1892	2064	2236
	181	1448	1991	1086	1448	1629	1810	1991	2172	2353
	210	1680	2310	1260	1680	1890	2100	2310	2500 ²	2500 ²
	217	1736	2387	1302	1736	1953	2170	2387	2500 ²	2500 ²
Dampening for motor in-rush (% FLA)		1100–1300%	1100–1700%	1100–1300%	—					

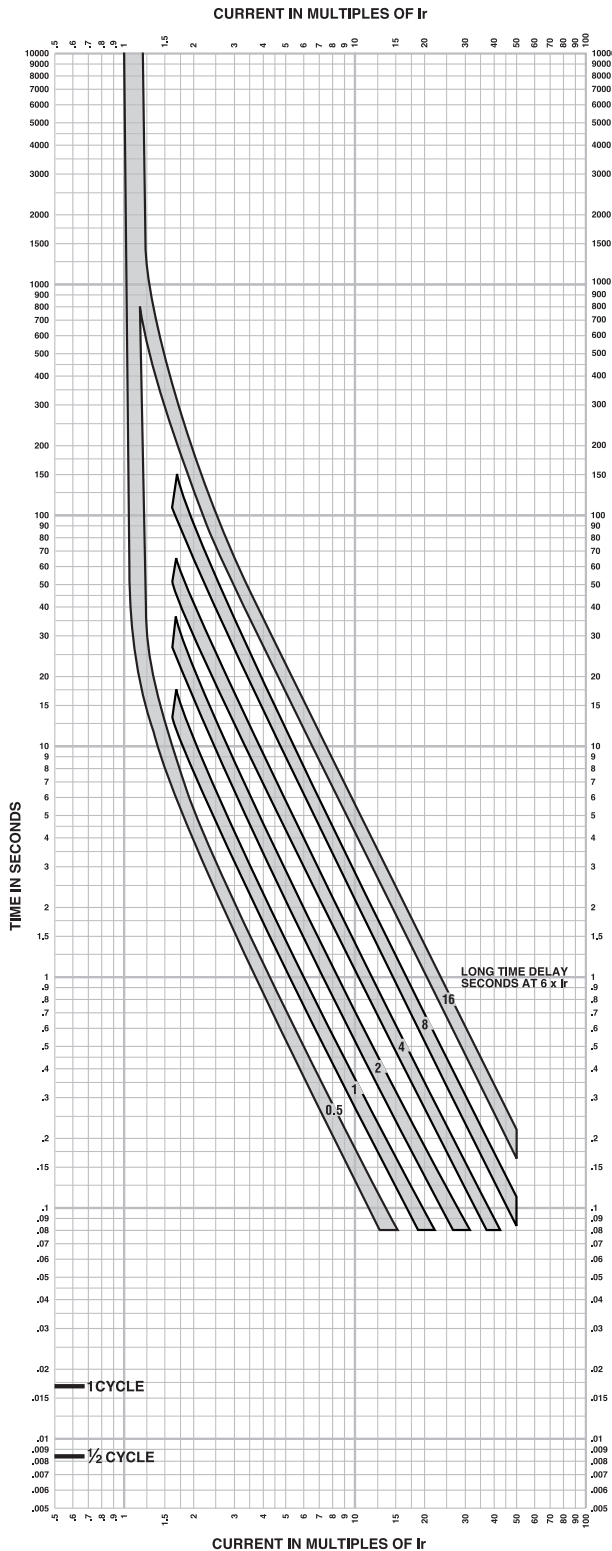
¹ ± 5% of nominal amperage shown above.

² 2500 A maximum instantaneous trip point.

PowerPact H-, J-, and L-Frame Circuit Breakers Trip Curves

PowerPact H-Frame Electronic Trip Circuit Breakers— 60/100/150 A Frame

Figure 101: Micrologic 3.2 Electronic Trip Unit Long Time Trip Curve



MICROLOGIC™ ELECTRONIC TRIP UNITS Micrologic™ 3.2 Long Time Trip Curve 60A, 100A, 150A H-Frame

The time-current curve information is to be used for application and coordination purposes only.

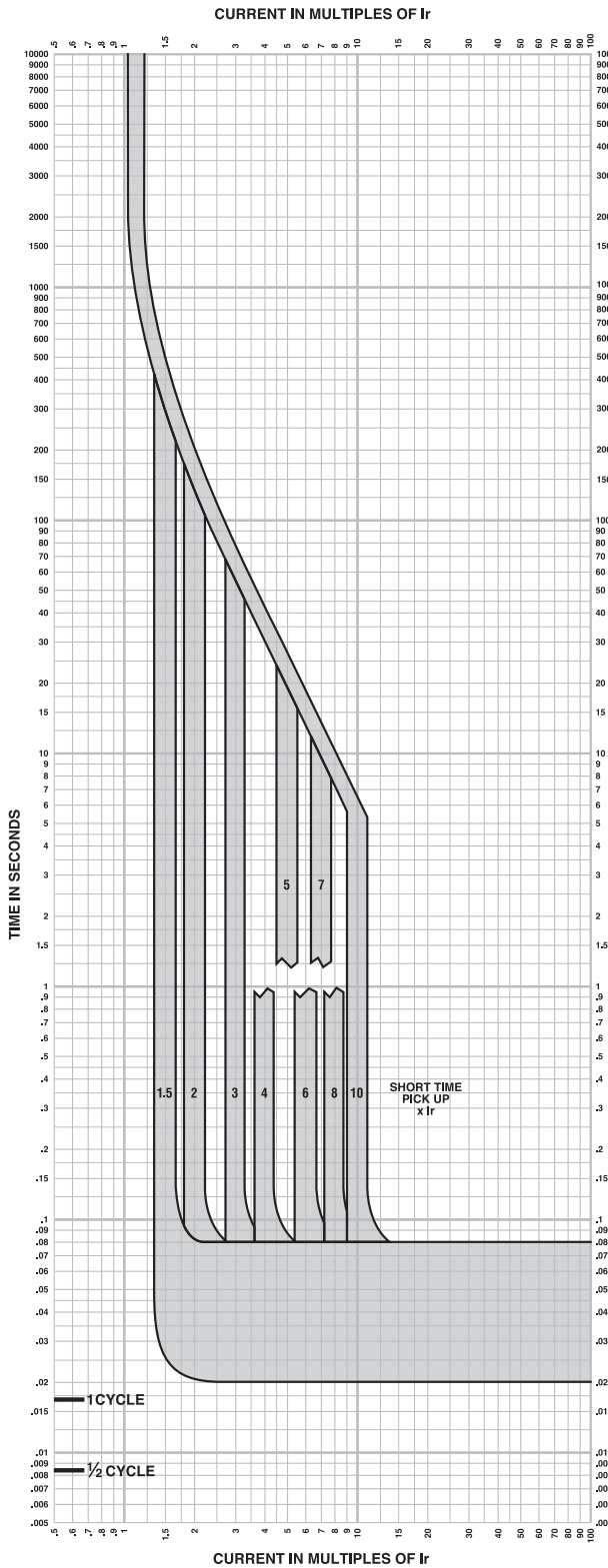
Notes:

1. There is a thermal-imaging effect that can act to shorten the long-time delay. The thermal imaging effect comes into play if a current above the long-time delay pickup value exists for a time and then is cleared by the tripping of a downstream device or the circuit breaker itself. A subsequent overload will cause the circuit breaker to trip in a shorter time than normal. The amount of time delay reduction is inverse to the amount of time that has elapsed since the previous overload. Approximately 20 minutes is required between overloads to completely reset thermal-imaging.
2. Total clearing times shown include the response times of the trip unit, the circuit breaker opening, and the extinction of the current.

Curves apply from -35°C to +70°C (-31°F to +158°F) ambient temperature.

PowerPact H-, J-, and L-Frame Circuit Breakers Trip Curves

Figure 102: Micrologic 3.2S Electronic Trip Unit Long Time / Short Time Trip Curve



MICROLOGIC™ ELECTRONIC TRIP UNITS Micrologic™ 3.2S Long Time/ Short Time Trip Curve 60A, 100A, 150A H-Frame

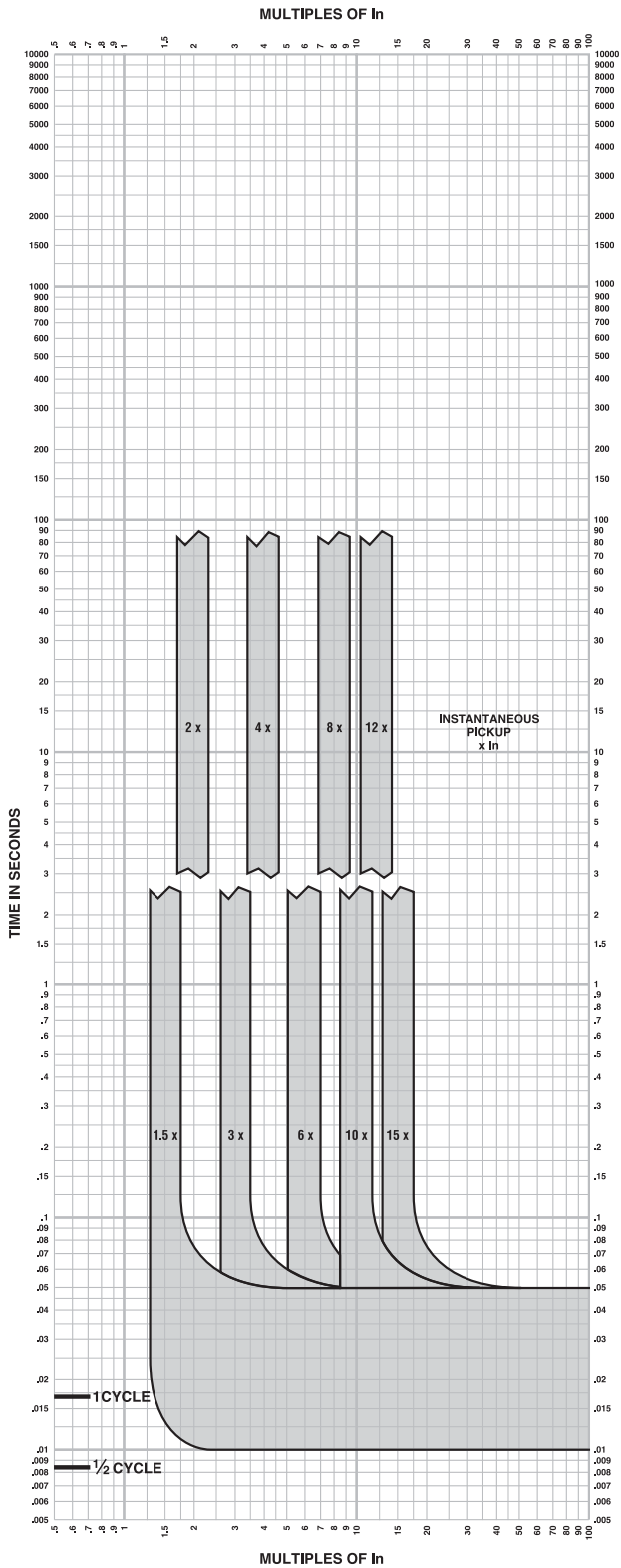
The time-current curve information is to be used for application and coordination purposes only.

Notes:

1. There is a thermal-imaging effect that can act to shorten the long-time delay. The thermal imaging effect comes into play if a current above the long-time delay pickup value exists for a time and then is cleared by the tripping of a downstream device or the circuit breaker itself. A subsequent overload will cause the circuit breaker to trip in a shorter time than normal. The amount of time delay reduction is inverse to the amount of time that has elapsed since the previous overload. Approximately 20 minutes is required between overloads to completely reset thermal-imaging.
 2. Total clearing times shown include the response times of the trip unit, the circuit breaker opening, and the extinction of the current.
- Curves apply from -35°C to +70°C (-31°F to +158°F) ambient temperature.

PowerPact H-, J-, and L-Frame Circuit Breakers Trip Curves

Figure 103: Micrologic 3.2/3.2S/5.2A/5.2E/6.2A/6.2E Electronic Trip Unit Instantaneous Trip Curve



MICROLOGIC™ ELECTRONIC TRIP UNITS Micrologic™ 3.2/3.2S/5.2A or E/6.2A or E Instantaneous Trip Curve 60A, 100A, 150A H-Frame

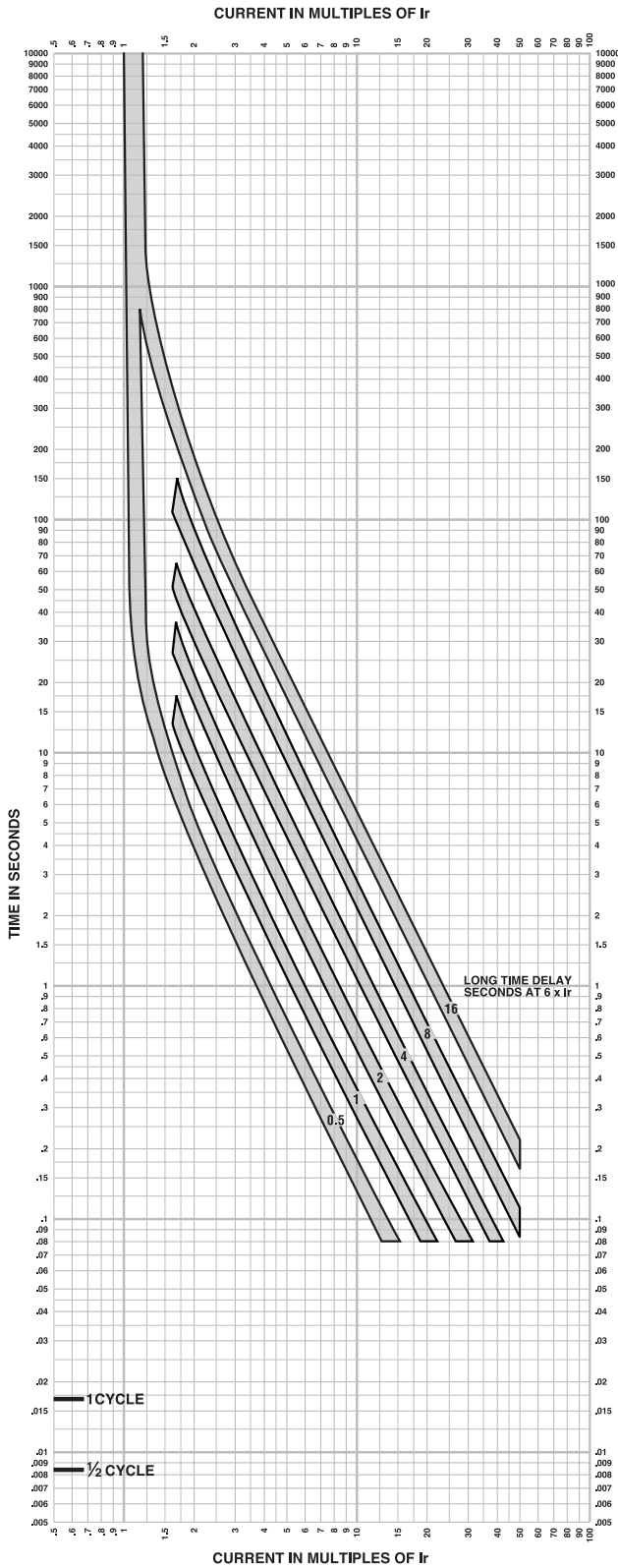
The time-current curve information is to be used for application and coordination purposes only.

Notes:

1. There is a thermal-imaging effect that can act to shorten the long-time delay. The thermal imaging effect comes into play if a current above the long-time delay pickup value exists for a time and then is cleared by the tripping of a downstream device or the circuit breaker itself. A subsequent overload will cause the circuit breaker to trip in a shorter time than normal. The amount of time delay reduction is inverse to the amount of time that has elapsed since the previous overload. Approximately 20 minutes is required between overloads to completely reset thermal-imaging.
 2. Total clearing times shown include the response times of the trip unit, the circuit breaker opening, and the extinction of the current.
 3. In = Maximum dial setting of Ir.
60A H-Frame: In = 60A = Max Ir setting
100A H-Frame: In = 100A = Max Ir setting
150A H-Frame: In = 150A = Max Ir setting
- Curves apply from -35°C to +70°C (-31°F to +158°F) ambient temperature.

PowerPact H-, J-, and L-Frame Circuit Breakers Trip Curves

Figure 104: Micrologic 5.2A/5.2E/6.2A/6.2E Electronic Trip Unit Long Time Trip Curve



MICROLOGIC™ ELECTRONIC TRIP UNITS Micrologic™ 5.2A or E/6.2A or E Long Time Trip Curve 60A, 100A, 150A H-Frame

The time-current curve information is to be used for application and coordination purposes only.

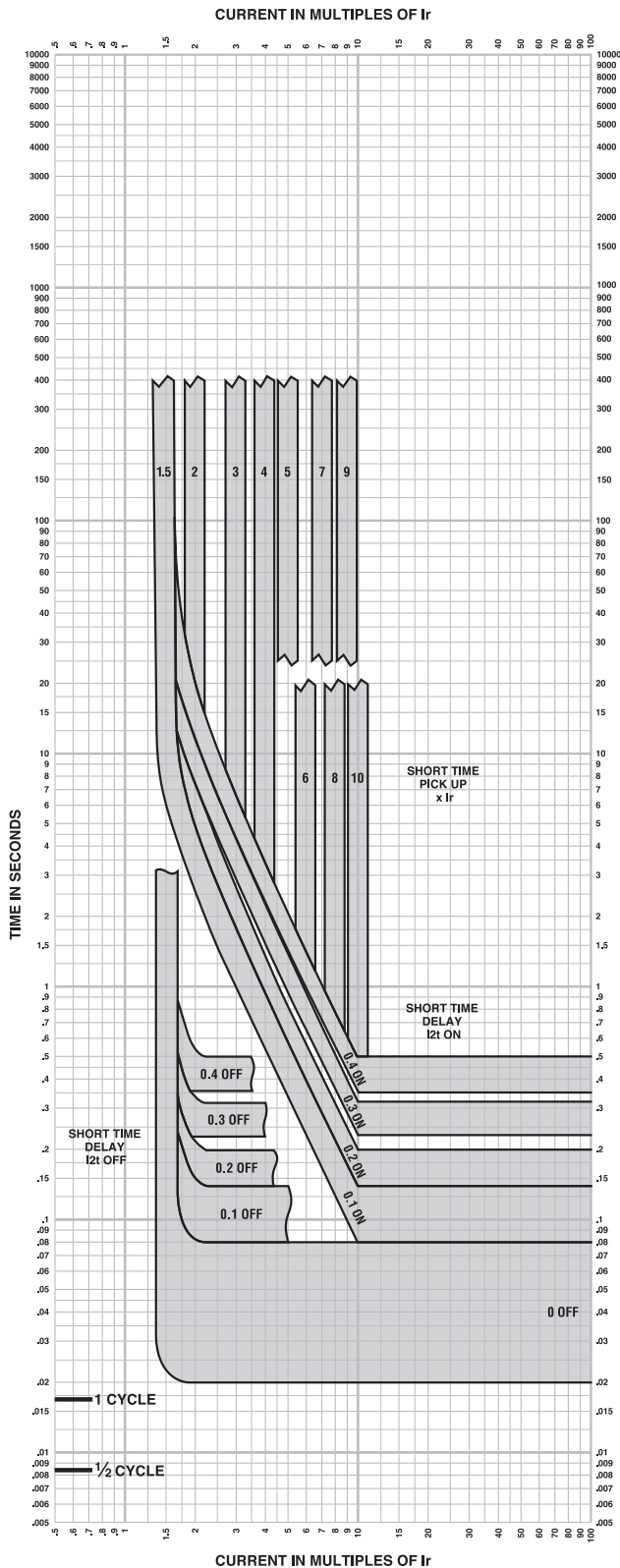
Notes:

1. There is a thermal-imaging effect that can act to shorten the long-time delay. The thermal imaging effect comes into play if a current above the long-time delay pickup value exists for a time and then is cleared by the tripping of a downstream device or the circuit breaker itself. A subsequent overload will cause the circuit breaker to trip in a shorter time than normal. The amount of time delay reduction is inverse to the amount of time that has elapsed since the previous overload. Approximately 20 minutes is required between overloads to completely reset thermal-imaging.
2. Total clearing times shown include the response times of the trip unit, the circuit breaker opening, and the extinction of the current.

Curves apply from -35°C to +70°C (-31°F to +158°F) ambient temperature.

PowerPact H-, J-, and L-Frame Circuit Breakers Trip Curves

Figure 105: Micrologic 5.2A/5.2E/6.2A/6.2E Electronic Trip Unit Short Time Trip Curve



MICROLOGIC™ ELECTRONIC TRIP UNITS Micrologic™ 5.2A or E/6.2A or E Short Time Trip Curve 60A, 100A, 150A H-Frame

The time-current curve information is to be used for application and coordination purposes only.

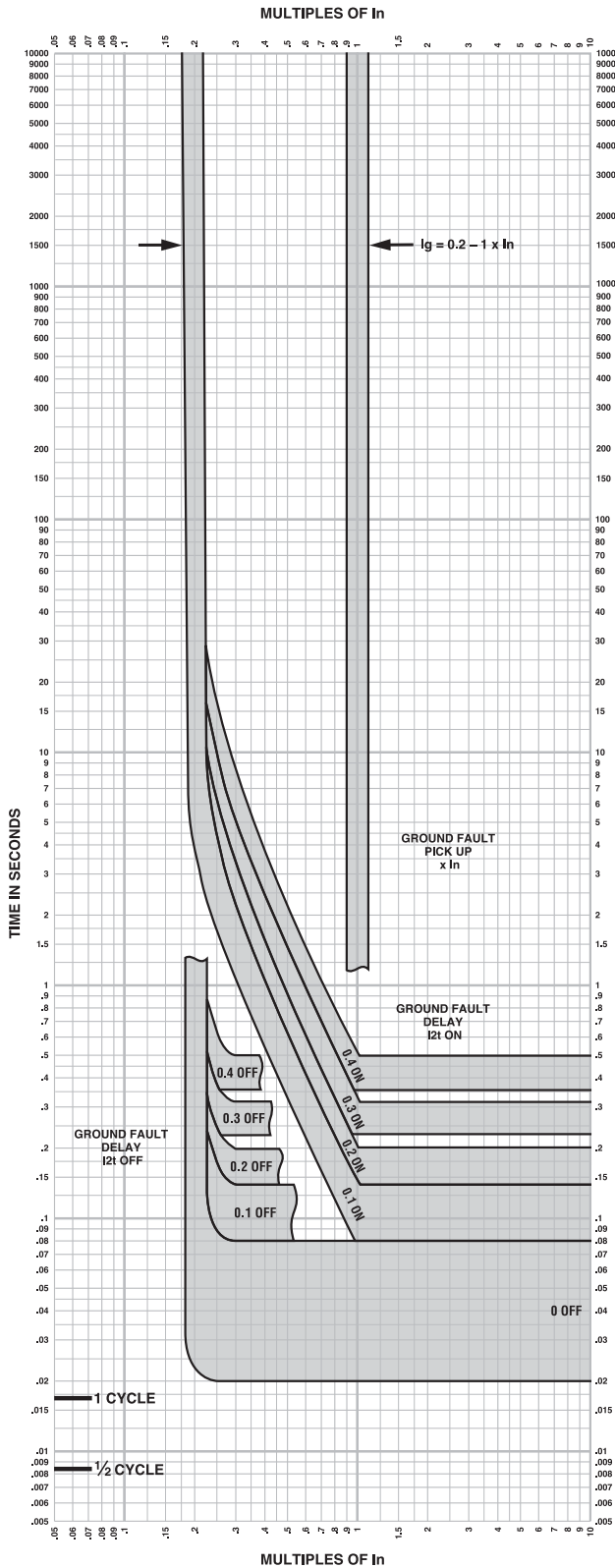
Notes:

1. There is a thermal-imaging effect that can act to shorten the long-time delay. The thermal imaging effect comes into play if a current above the long-time delay pickup value exists for a time and then is cleared by the tripping of a downstream device or the circuit breaker itself. A subsequent overload will cause the circuit breaker to trip in a shorter time than normal. The amount of time delay reduction is inverse to the amount of time that has elapsed since the previous overload. Approximately 20 minutes is required between overloads to completely reset thermal-imaging.
2. Total clearing times shown include the response times of the trip unit, the circuit breaker opening, and the extinction of the current.

Curves apply from -35°C to +70°C (-31°F to +158°F) ambient temperature.

PowerPact H-, J-, and L-Frame Circuit Breakers Trip Curves

Figure 106: Micrologic 6.2A/6.2E Electronic Trip Unit Ground Fault Trip Curve



MICROLOGIC™ ELECTRONIC TRIP UNITS Micrologic™ 6.2A or E Ground Fault Trip Curve 100A, 150A H-Frame

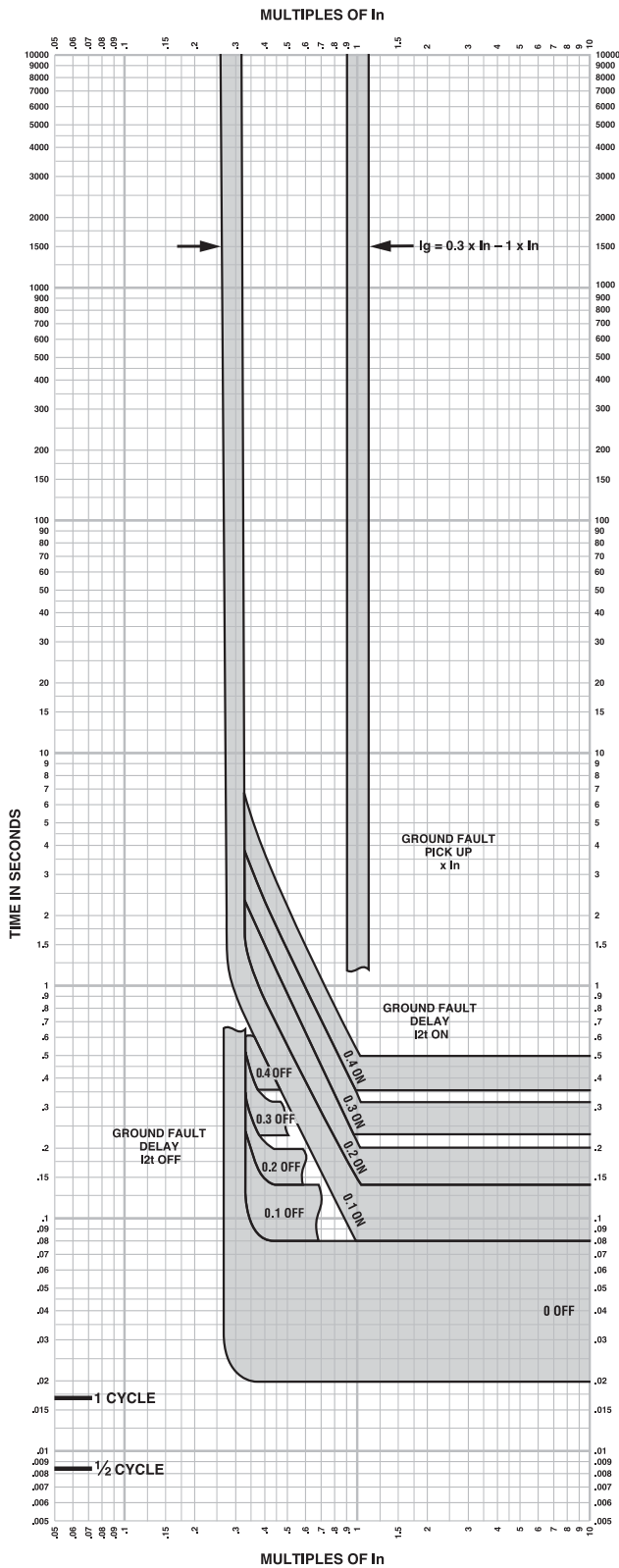
The time-current curve information is to be used for application and coordination purposes only.

1. Total clearing times shown include the response times of the trip unit, the circuit breaker opening, and the extinction of the current.

Curves apply from -35°C to +70°C (-31°F to +158°F) ambient temperature.

PowerPact H-, J-, and L-Frame Circuit Breakers Trip Curves

Figure 107: Micrologic 6.2A/6.2E Electronic Trip Unit Ground Fault Trip Curve



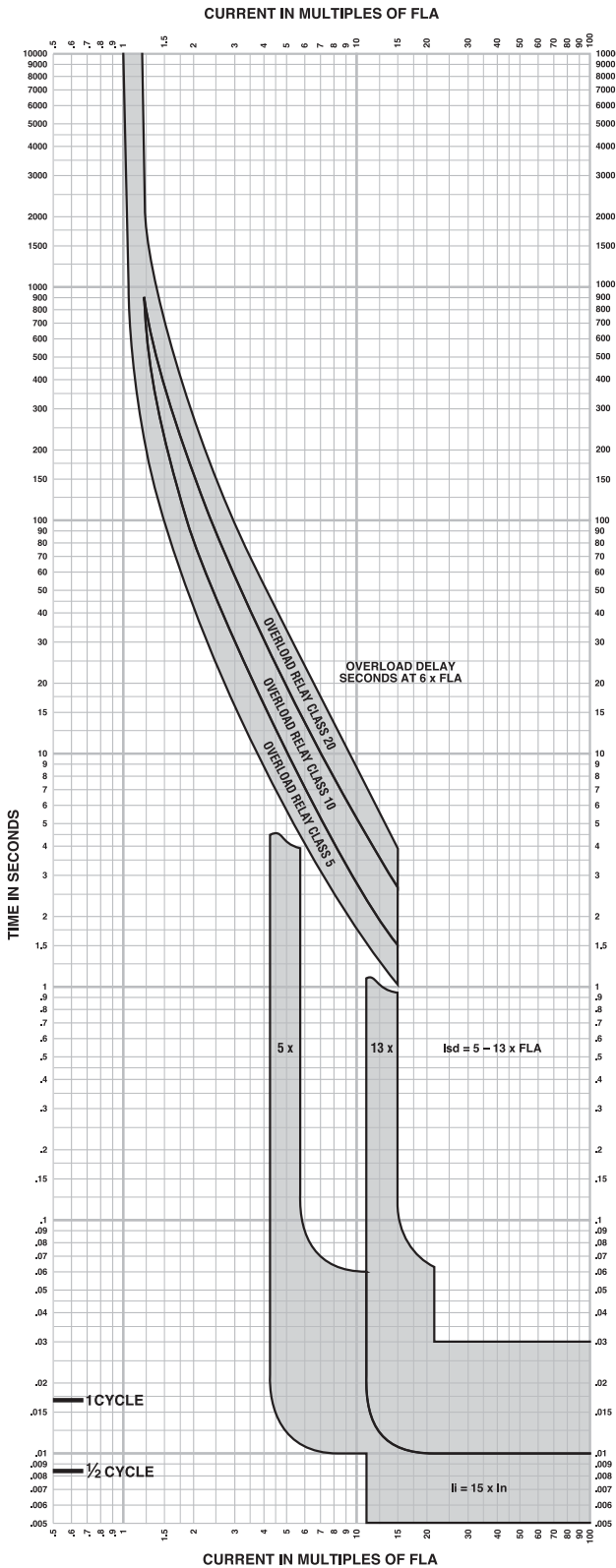
MICROLOGIC™ ELECTRONIC TRIP UNITS Micrologic™ 6.2A or E Ground Fault Trip Curve 60A H-Frame

The time-current curve information is to be used for application and coordination purposes only.

1. Total clearing times shown include the response times of the trip unit, the circuit breaker opening, and the extinction of the current.

Curves apply from -35°C to +70°C (-31°F to +158°F) ambient temperature.

Figure 108: Micrologic 2.2 M Electronic Trip Unit Overload Trip Curve



MICROLOGIC™ ELECTRONIC TRIP UNITS
Micrologic™ 2.2M Overload Trip Curve
30A, 50A, 100A, 150A H-Frame, 250A J-Frame

The time-current curve information is to be used for application and coordination purposes only.

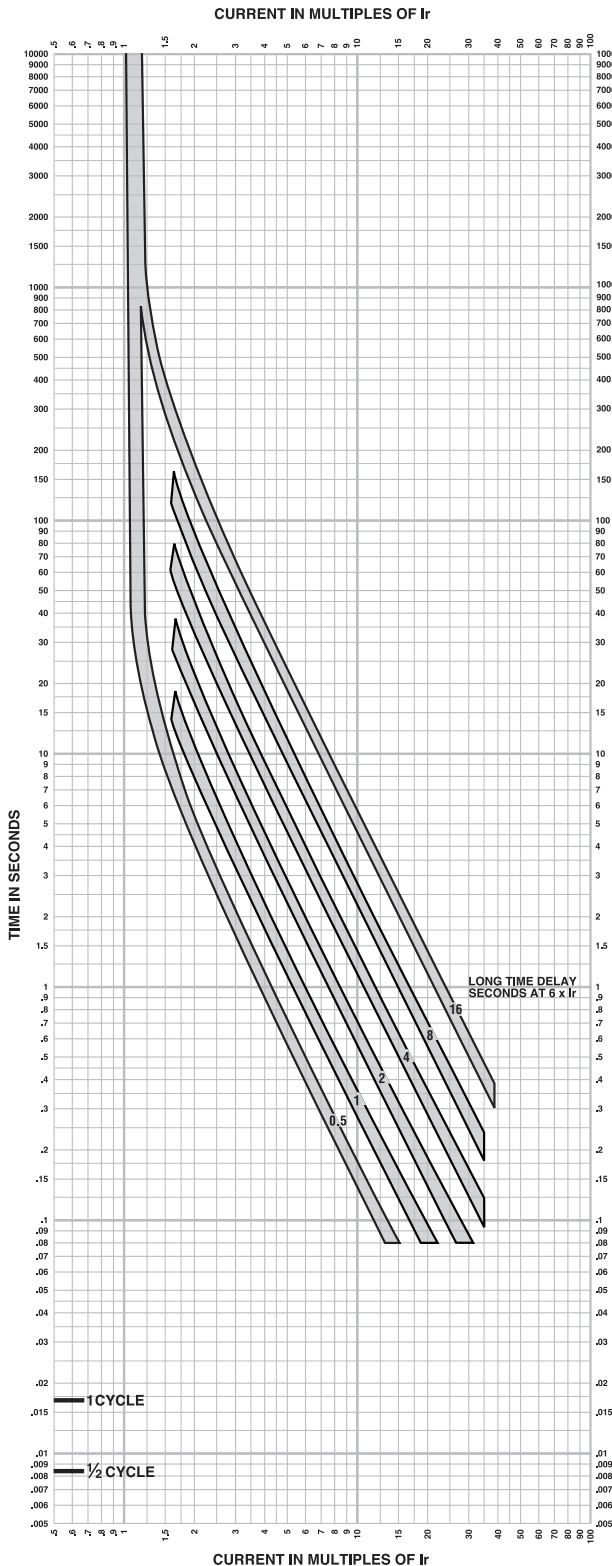
Notes:

1. If overload still exists past overload relay delay, MCP will open 0.4 seconds later.
 2. Total clearing times shown include the response times of the trip unit, the circuit breaker opening, and the extinction of the current.
 3. Isd minimum and maximum only shown.
 4. $I_i = 15 \times I_n$
 $I_n = 30A, 50A, 100A, 150A, 250A$
 MCP will trip <30ms at $15 \times I_n$
- Curves apply from -35°C to +70°C (-31°F to +158°F) ambient temperature.

PowerPact H-, J-, and L-Frame Circuit Breakers Trip Curves

J-Frame Electronic Trip Circuit Breakers—250 A Frame

Figure 109: Micrologic 3.2 and 3.2-W Electronic Trip Unit Long-Time Trip Curve



MICROLOGIC™ ELECTRONIC TRIP UNITS Micrologic™ 3.2 and 3.2-W Long Time Trip Curve 250A J-Frame

The time-current curve information is to be used for application and coordination purposes only.

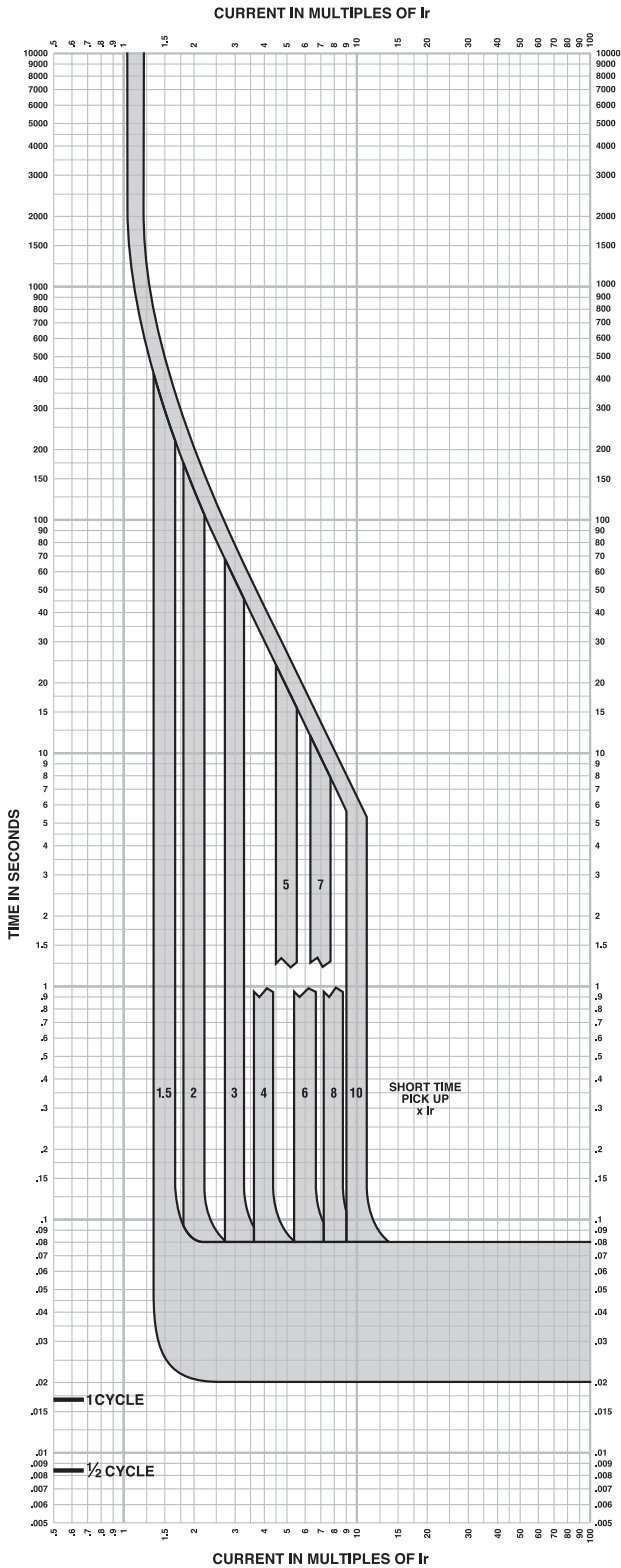
Notes:

1. There is a thermal-imaging effect that can act to shorten the long-time delay. The thermal imaging effect comes into play if a current above the long-time delay pickup value exists for a time and then is cleared by the tripping of a downstream device or the circuit breaker itself. A subsequent overload will cause the circuit breaker to trip in a shorter time than normal. The amount of time delay reduction is inverse to the amount of time that has elapsed since the previous overload. Approximately 20 minutes is required between overloads to completely reset thermal-imaging.
2. Total clearing times shown include the response times of the trip unit, the circuit breaker opening, and the extinction of the current.

Curves apply from -35°C to +70°C (-31°F to +158°F) ambient temperature.

PowerPact H-, J-, and L-Frame Circuit Breakers Trip Curves

Figure 110: Micrologic 3.2S and 3.2S-W Electronic Trip Unit Long Time / Short Time Trip Curve



MICROLOGIC™ ELECTRONIC TRIP UNITS Micrologic™ 3.2S and 3.2S-W Long Time/Short Time Trip Curve 250A J-Frame

The time-current curve information is to be used for application and coordination purposes only.

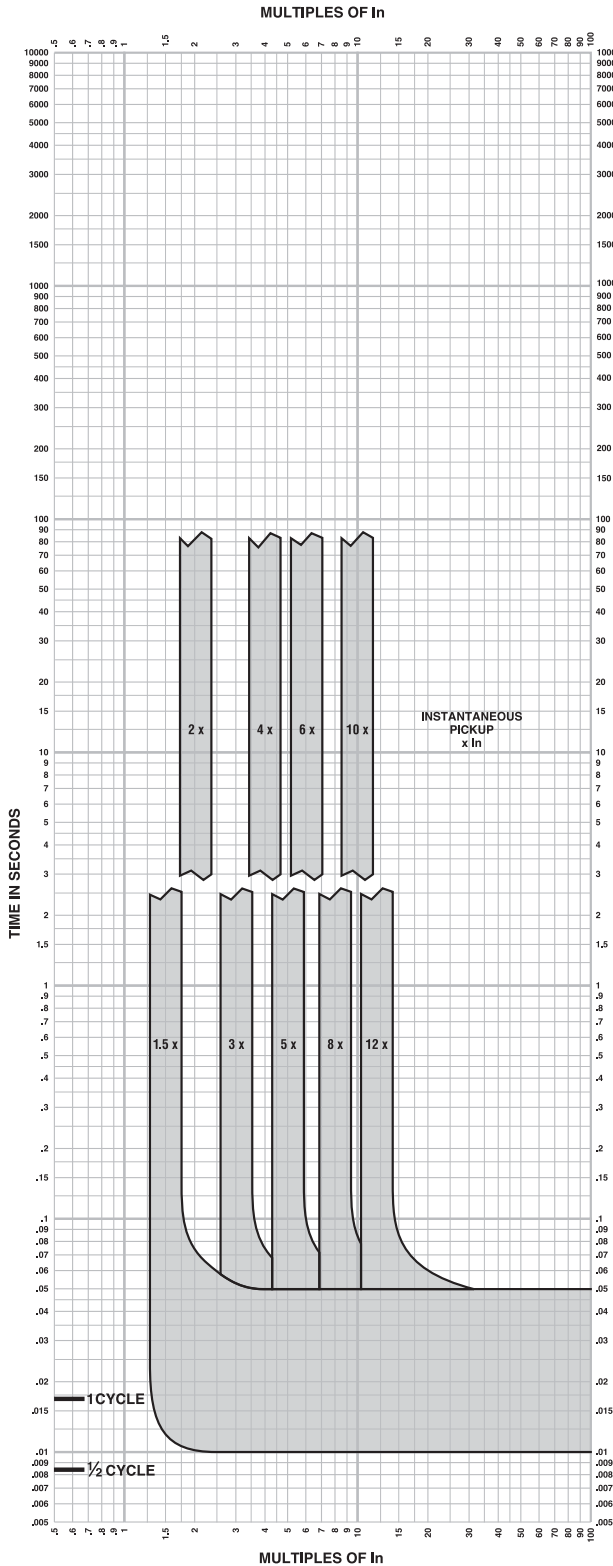
Notes:

1. There is a thermal-imaging effect that can act to shorten the long-time delay. The thermal imaging effect comes into play if a current above the long-time delay pickup value exists for a time and then is cleared by the tripping of a downstream device or the circuit breaker itself. A subsequent overload will cause the circuit breaker to trip in a shorter time than normal. The amount of time delay reduction is inverse to the amount of time that has elapsed since the previous overload. Approximately 20 minutes is required between overloads to completely reset thermal-imaging.
2. Total clearing times shown include the response times of the trip unit, the circuit breaker opening, and the extinction of the current.

Curves apply from -35°C to +70°C (-31°F to +158°F) ambient temperature.

PowerPact H-, J-, and L-Frame Circuit Breakers Trip Curves

Figure 111: Micrologic 3.2, 3.2-W, 3.2S, 3.2S-W, 5.2A, 5.2A-W, 5.2E, 5.2E-W, 6.2A, 6.2A-W, 6.2E, and 6.2E-W Electronic Trip Curve Instantaneous Trip Curve



MICROLOGIC™ ELECTRONIC TRIP UNITS
Micrologic™ 3.2, 3.2-W, 3.2S, 3.2S-W, 5.2A,
5.2A-W, 5.2E, 5.2E-W, 6.2A, 6.2A-W,
6.2E, and 6.2E-W
Instantaneous Trip Curve
250A J-Frame

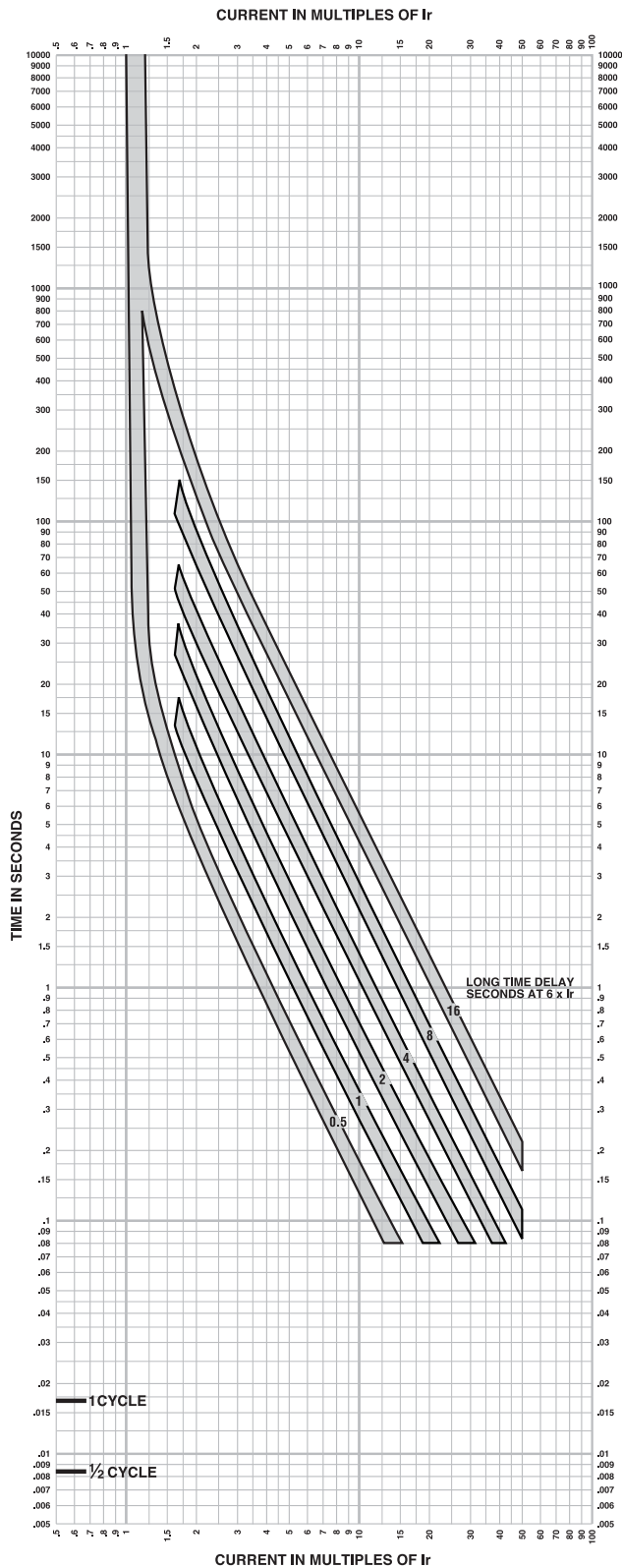
The time-current curve information is to be used for application and coordination purposes only.

Notes:

1. There is a thermal-imaging effect that can act to shorten the long-time delay. The thermal imaging effect comes into play if a current above the long-time delay pickup value exists for a time and then is cleared by the tripping of a downstream device or the circuit breaker itself. A subsequent overload will cause the circuit breaker to trip in a shorter time than normal. The amount of time delay reduction is inverse to the amount of time that has elapsed since the previous overload. Approximately 20 minutes is required between overloads to completely reset thermal-imaging.
2. Total clearing times shown include the response times of the trip unit, the circuit breaker opening, and the extinction of the current.
3. I_n = Maximum dial setting of I_r .
 250A J-Frame: $I_n = 250A = \text{Max } I_r$ setting
 Curves apply from -35°C to $+70^\circ\text{C}$ (-31°F to $+158^\circ\text{F}$) ambient temperature.

PowerPact H-, J-, and L-Frame Circuit Breakers Trip Curves

Figure 112: Micrologic 5.2A, 5.2A-W, 5.2E, 5.2E-W, 6.2A, 6.2A-W, 6.2E, and 6.2E-W Electronic Trip Unit Long Time Trip Curve



MICROLOGIC™ ELECTRONIC TRIP UNITS Micrologic™ 5.2A, 5.2A-W, 5.2E, 5.2E-W, 6.2A, 6.2A-W, 6.2E, and 6.2E-W Long Time Trip Curve 250A J-Frame

The time-current curve information is to be used for application and coordination purposes only.

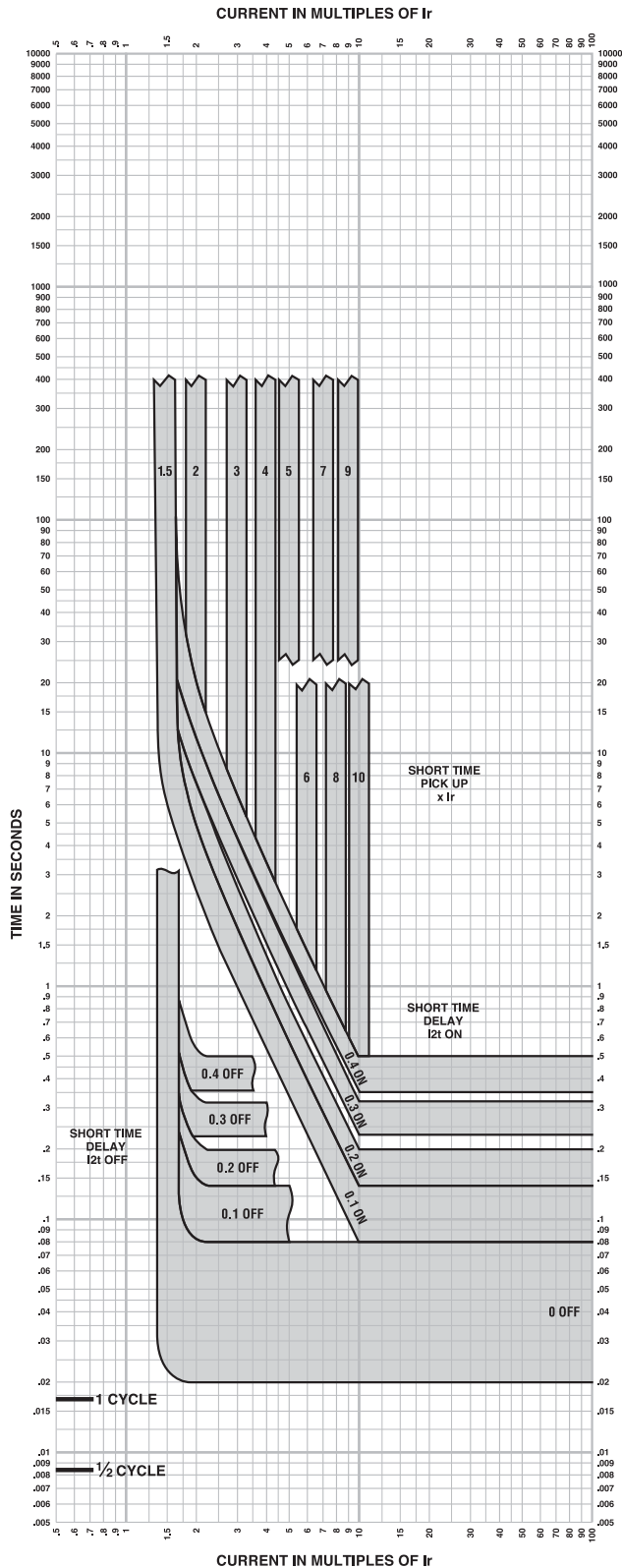
Notes:

1. There is a thermal-imaging effect that can act to shorten the long-time delay. The thermal imaging effect comes into play if a current above the long-time delay pickup value exists for a time and then is cleared by the tripping of a downstream device or the circuit breaker itself. A subsequent overload will cause the circuit breaker to trip in a shorter time than normal. The amount of time delay reduction is inverse to the amount of time that has elapsed since the previous overload. Approximately 20 minutes is required between overloads to completely reset thermal-imaging.
2. Total clearing times shown include the response times of the trip unit, the circuit breaker opening, and the extinction of the current.

Curves apply from -35°C to +70°C (-31°F to +158°F) ambient temperature.

PowerPact H-, J-, and L-Frame Circuit Breakers Trip Curves

Figure 113: Micrologic 5.2A, 5.2A-W, 5.2E, 5.2E-W, 6.2A, 6.2A-W, 6.2E, and 6.2E-W Electronic Trip Unit Short Time Trip Curve



MICROLOGIC™ ELECTRONIC TRIP UNITS Micrologic™ 5.2A, 5.2A-W, 5.2E, 5.2E-W, 6.2A, 6.2A-W, 6.2E, and 6.2E-W Short Time Trip Curve 250A J-Frame

The time-current curve information is to be used for application and coordination purposes only.

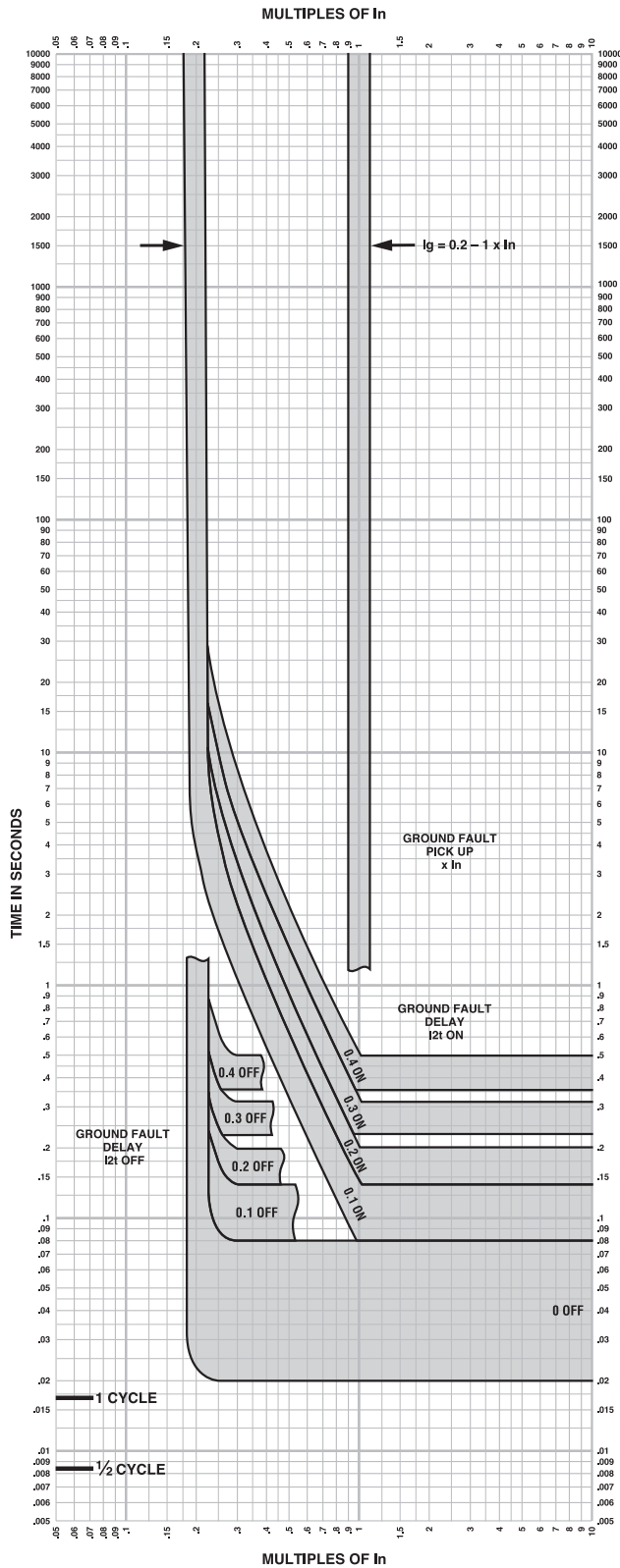
Notes:

1. There is a thermal-imaging effect that can act to shorten the long-time delay. The thermal imaging effect comes into play if a current above the long-time delay pickup value exists for a time and then is cleared by the tripping of a downstream device or the circuit breaker itself. A subsequent overload will cause the circuit breaker to trip in a shorter time than normal. The amount of time delay reduction is inverse to the amount of time that has elapsed since the previous overload. Approximately 20 minutes is required between overloads to completely reset thermal-imaging.
2. Total clearing times shown include the response times of the trip unit, the circuit breaker opening, and the extinction of the current.

Curves apply from -35°C to +70°C (-31°F to +158°F) ambient temperature.

PowerPact H-, J-, and L-Frame Circuit Breakers Trip Curves

Figure 114: Micrologic 6.2A, 6.2A-W, 6.2E, and 6.2E-W Electronic Trip Unit Ground Fault Trip Curve



MICROLOGIC™ ELECTRONIC TRIP UNITS Micrologic™ 6.2A, 6.2A-W, 6.2E, and 6.2E-W Ground Fault Trip Curve 250A J-Frame

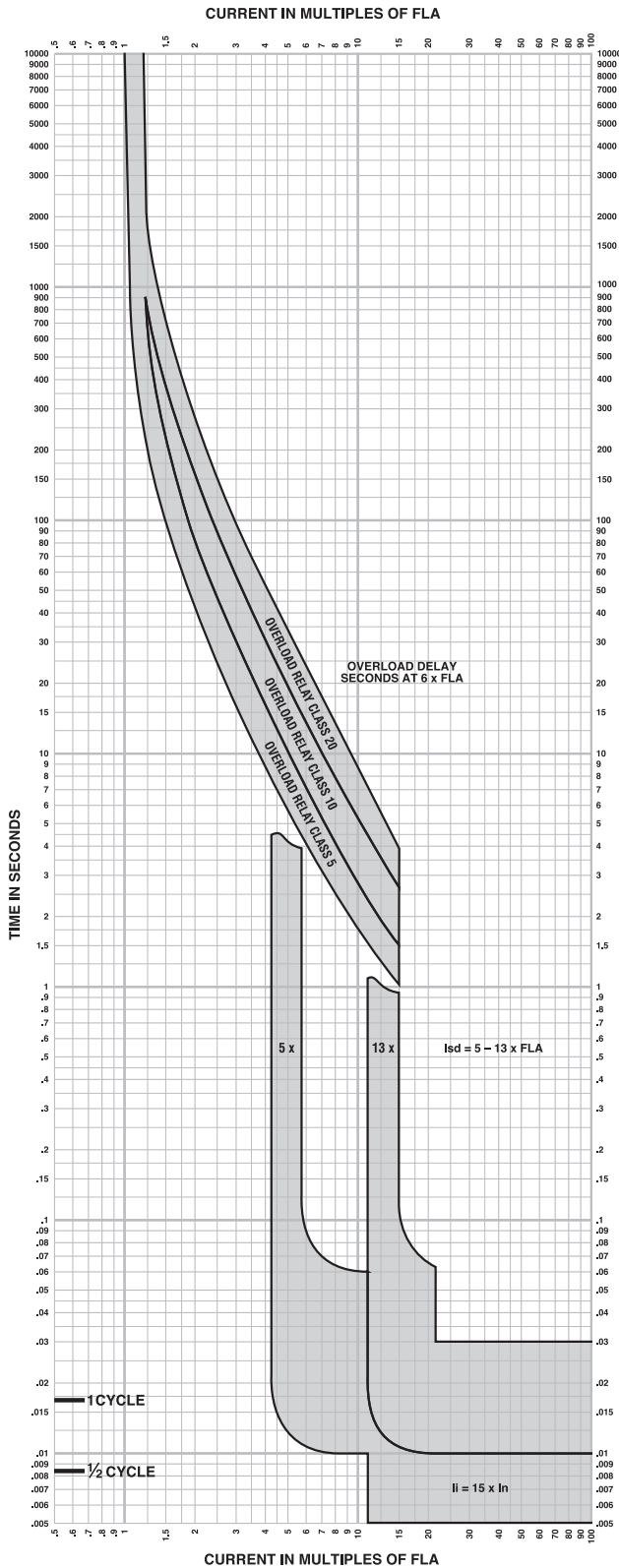
The time-current curve information is to be used for application and coordination purposes only.

1. Total clearing times shown include the response times of the trip unit, the circuit breaker opening, and the extinction of the current.

Curves apply from -35°C to +70°C (-31°F to +158°F) ambient temperature.

PowerPact H-, J-, and L-Frame Circuit Breakers Trip Curves

Figure 115: Micrologic 2.2 M Electronic Trip Unit Overload Trip Curve



MICROLOGIC™ ELECTRONIC TRIP UNITS Micrologic™ 2.2M Overload Trip Curve 30A, 50A, 100A, 150A H-Frame, 250A J-Frame

The time-current curve information is to be used for application and coordination purposes only.

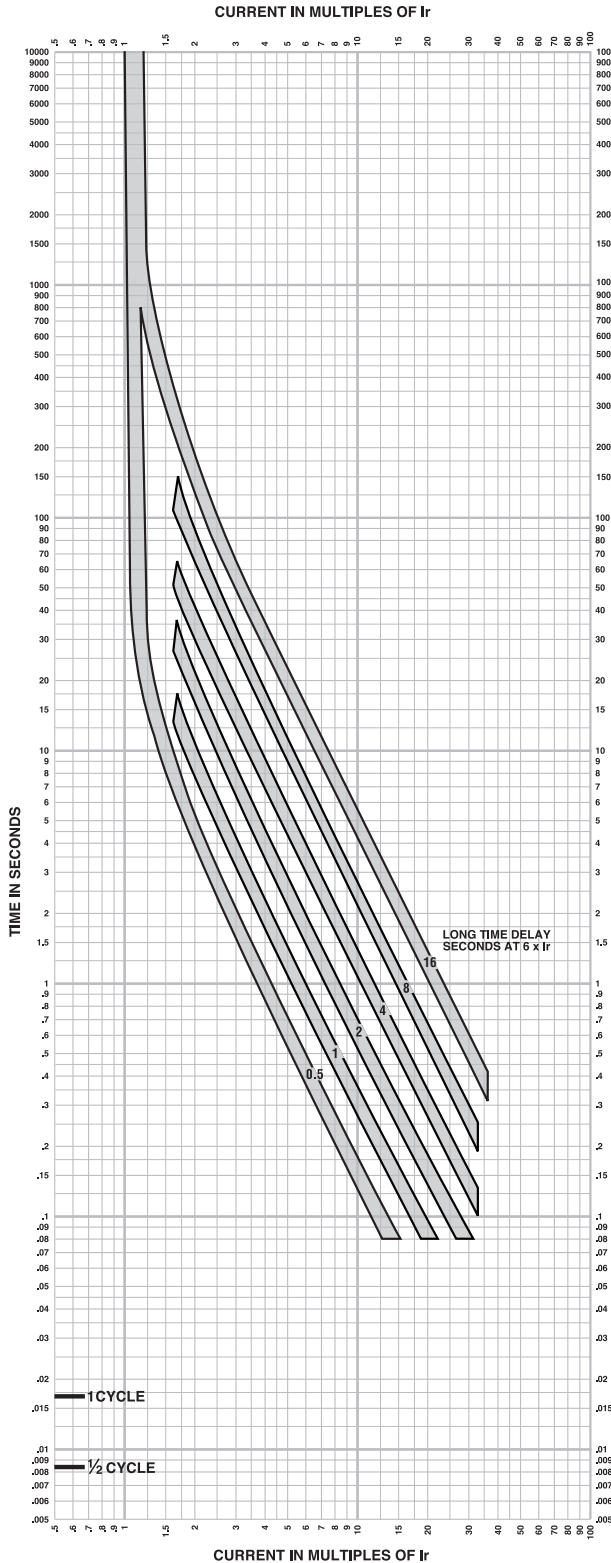
Notes:

1. If overload still exists past overload relay delay, MCP will open 0.4 seconds later.
2. Total clearing times shown include the response times of the trip unit, the circuit breaker opening, and the extinction of the current.
3. Isd minimum and maximum only shown.
4. $I_i = 15 \times I_n$
 $I_n = 30A, 50A, 100A, 150A, 250A$
MCP will trip <30ms at $15 \times I_n$

Curves apply from -35°C to +70°C (-31°F to +158°F) ambient temperature.

PowerPact L-Frame Electronic Trip Circuit Breakers—
250 A/400 A/600 A Frame

Figure 116: Micrologic 3.3 and 3.3-W Electronic Trip Unit Long Time Trip Curve



MICROLOGIC™ ELECTRONIC TRIP UNITS
Micrologic™ 3.3 and 3.3-W
Long Time Trip Curve
250A, 400A L-Frame

The time-current curve information is to be used for application and coordination purposes only.

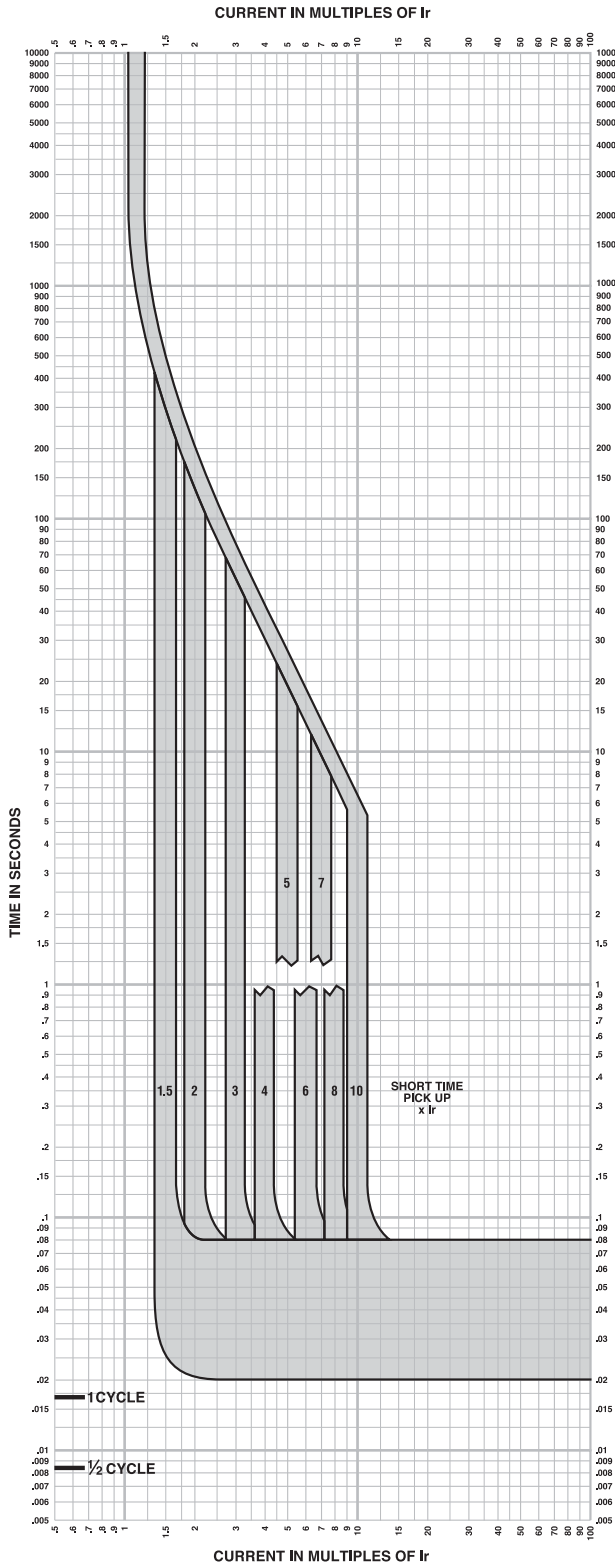
Notes:

1. There is a thermal-imaging effect that can act to shorten the long-time delay. The thermal imaging effect comes into play if a current above the long-time delay pickup value exists for a time and then is cleared by the tripping of a downstream device or the circuit breaker itself. A subsequent overload will cause the circuit breaker to trip in a shorter time than normal. The amount of time delay reduction is inverse to the amount of time that has elapsed since the previous overload. Approximately 20 minutes is required between overloads to completely reset thermal-imaging.
2. Total clearing times shown include the response times of the trip unit, the circuit breaker opening, and the extinction of the current.

Curves apply from -35°C to +70°C (-31°F to +158°F) ambient temperature.

PowerPact H-, J-, and L-Frame Circuit Breakers Trip Curves

Figure 117: Micrologic 3.3S and 3.3S-W Electronic Trip Unit Long Time/Short Time Trip Curve



MICROLOGIC™ ELECTRONIC TRIP UNITS Micrologic™ 3.3S and 3.3S-W Long Time/Short Time Trip Curve 250A, 400A L-Frame

The time-current curve information is to be used for application and coordination purposes only.

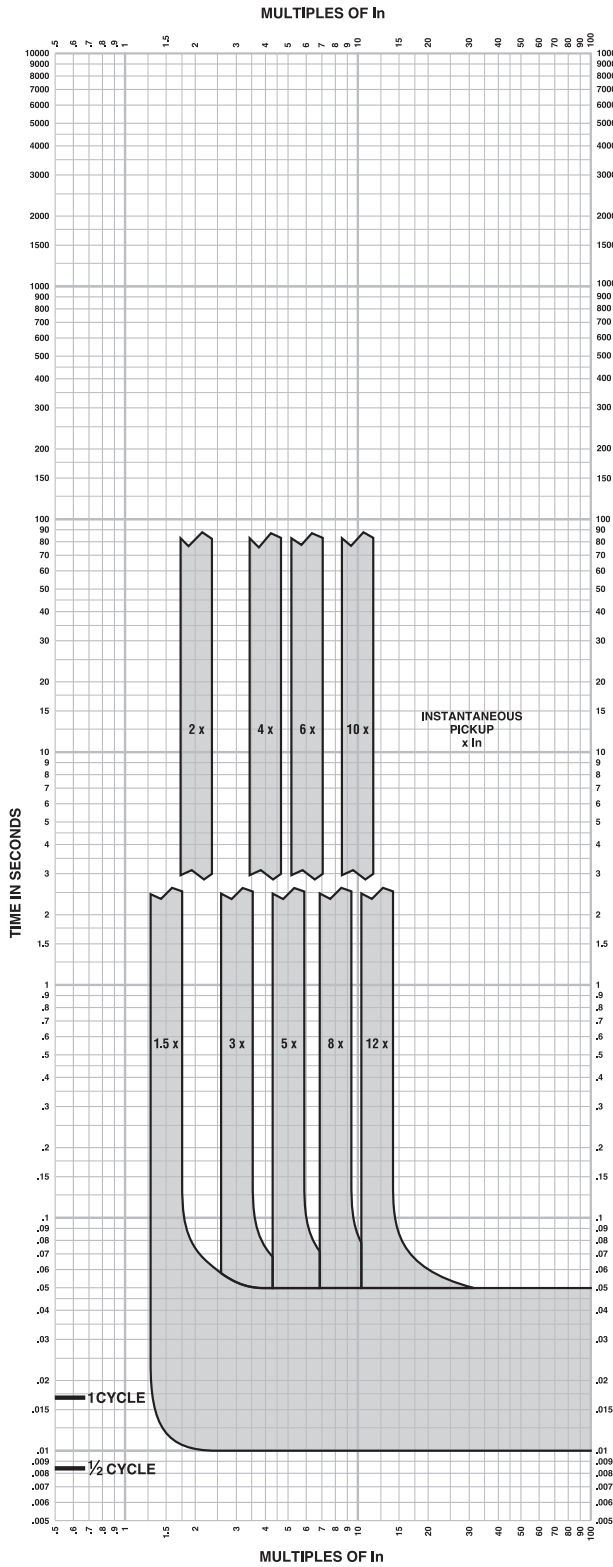
Notes:

1. There is a thermal-imaging effect that can act to shorten the long-time delay. The thermal imaging effect comes into play if a current above the long-time delay pickup value exists for a time and then is cleared by the tripping of a downstream device or the circuit breaker itself. A subsequent overload will cause the circuit breaker to trip in a shorter time than normal. The amount of time delay reduction is inverse to the amount of time that has elapsed since the previous overload. Approximately 20 minutes is required between overloads to completely reset thermal-imaging.
2. Total clearing times shown include the response times of the trip unit, the circuit breaker opening, and the extinction of the current.

Curves apply from -35°C to +70°C (-31°F to +158°F) ambient temperature.

PowerPact H-, J-, and L-Frame Circuit Breakers Trip Curves

Figure 118: Micrologic 3.3, 3.3-W, 3.3S, and 3.3S-W Electronic Trip Unit Instantaneous Trip Curve



MICROLOGIC™ ELECTRONIC TRIP UNITS Micrologic™ 3.3, 3.3-W, 3.3S, and 3.3S-W Instantaneous Trip Curve 250A L-Frame

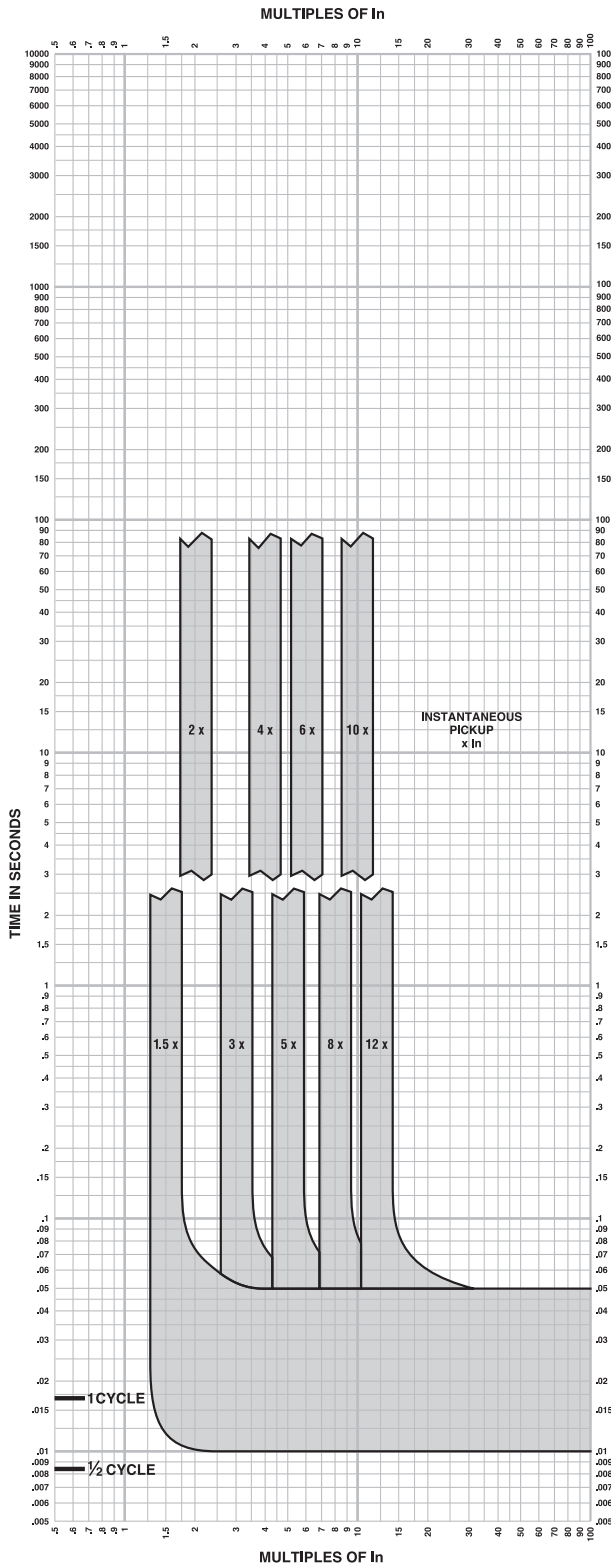
The time-current curve information is to be used for application and coordination purposes only.

Notes:

1. There is a thermal-imaging effect that can act to shorten the long-time delay. The thermal imaging effect comes into play if a current above the long-time delay pickup value exists for a time and then is cleared by the tripping of a downstream device or the circuit breaker itself. A subsequent overload will cause the circuit breaker to trip in a shorter time than normal. The amount of time delay reduction is inverse to the amount of time that has elapsed since the previous overload. Approximately 20 minutes is required between overloads to completely reset thermal-imaging.
 2. Total clearing times shown include the response times of the trip unit, the circuit breaker opening, and the extinction of the current.
 3. In = Maximum dial setting of Ir.
250A L-Frame: In = 250A = Max Ir setting
- Curves apply from -35°C to +70°C (-31°F to +158°F) ambient temperature.

PowerPact H-, J-, and L-Frame Circuit Breakers Trip Curves

Figure 119: Micrologic 3.3, 3.3-W, 3.3S, 3.3S-W, 5.3A, 5.3A-W, 5.3E, 5.3E-W, 6.3A, 6.3A-W, 6.3E, and 6.3E-W Electronic Trip Unit Instantaneous Trip Curve



MICROLOGIC™ ELECTRONIC TRIP UNITS Micrologic™ 3.3, 3.3-W, 3.3S, 3.3S-W, 5.3A, 5.3A-W, 5.3E, 5.3E-W, 6.3A, 6.3A-W, 6.3E, and 6.3E-W Instantaneous Trip Curve 400A L-Frame

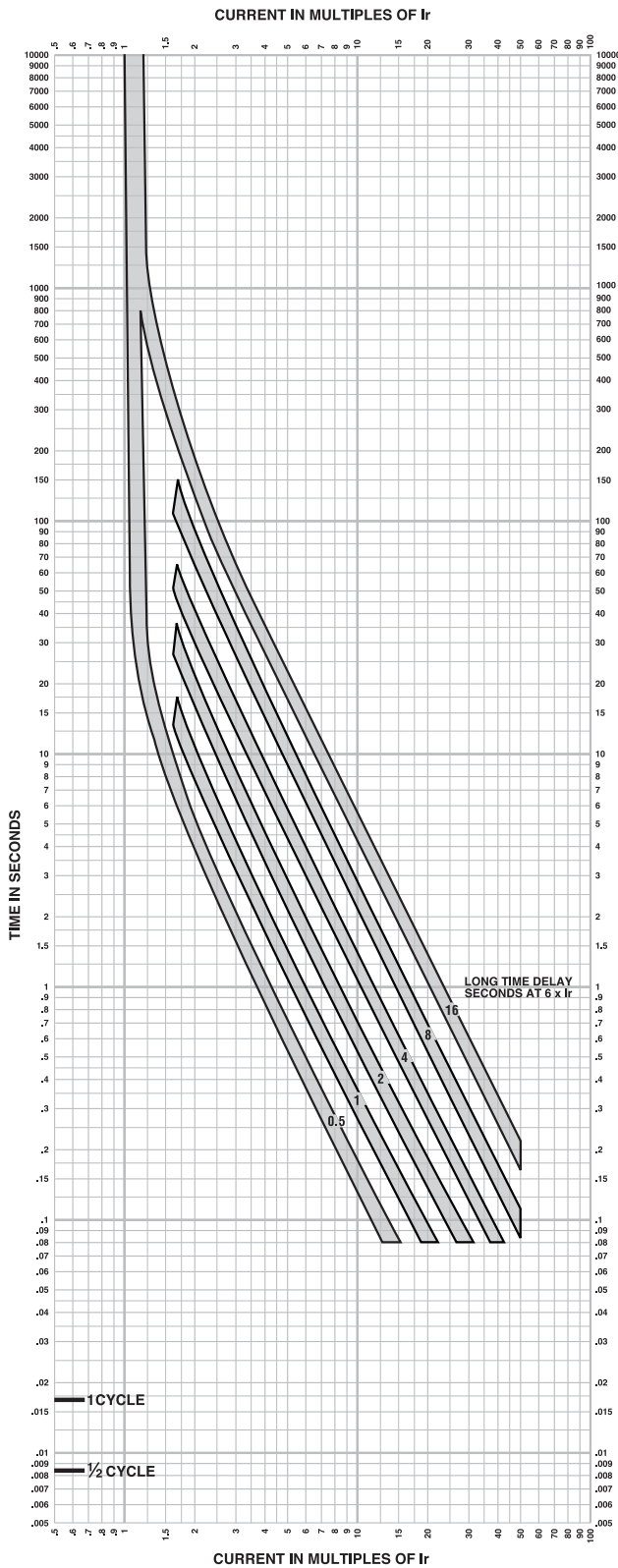
The time-current curve information is to be used for application and coordination purposes only.

Notes:

1. There is a thermal-imaging effect that can act to shorten the long-time delay. The thermal imaging effect comes into play if a current above the long-time delay pickup value exists for a time and then is cleared by the tripping of a downstream device or the circuit breaker itself. A subsequent overload will cause the circuit breaker to trip in a shorter time than normal. The amount of time delay reduction is inverse to the amount of time that has elapsed since the previous overload. Approximately 20 minutes is required between overloads to completely reset thermal-imaging.
 2. Total clearing times shown include the response times of the trip unit, the circuit breaker opening, and the extinction of the current.
 3. I_n = Maximum dial setting of I_r .
400A L-Frame: $I_n = 400A = \text{Max } I_r \text{ setting}$
- Curves apply from -35°C to $+70^\circ\text{C}$ (-31°F to $+158^\circ\text{F}$) ambient temperature.

PowerPact H-, J-, and L-Frame Circuit Breakers Trip Curves

Figure 120: Micrologic 5.3A, 5.3A-W, 5.3E, 5.3E-W, 6.3A, 6.3A-W, 6.3E, and 6.3E-W Electronic Trip Unit Long Time Trip Curve



MICROLOGIC™ ELECTRONIC TRIP UNITS Micrologic™ 5.3A, 5.3A-W, 5.3E, 5.3E-W, 6.3A, 6.3A-W, 6.3E, and 6.3E-W Long Time Trip Curve 400A L-Frame

The time-current curve information is to be used for application and coordination purposes only.

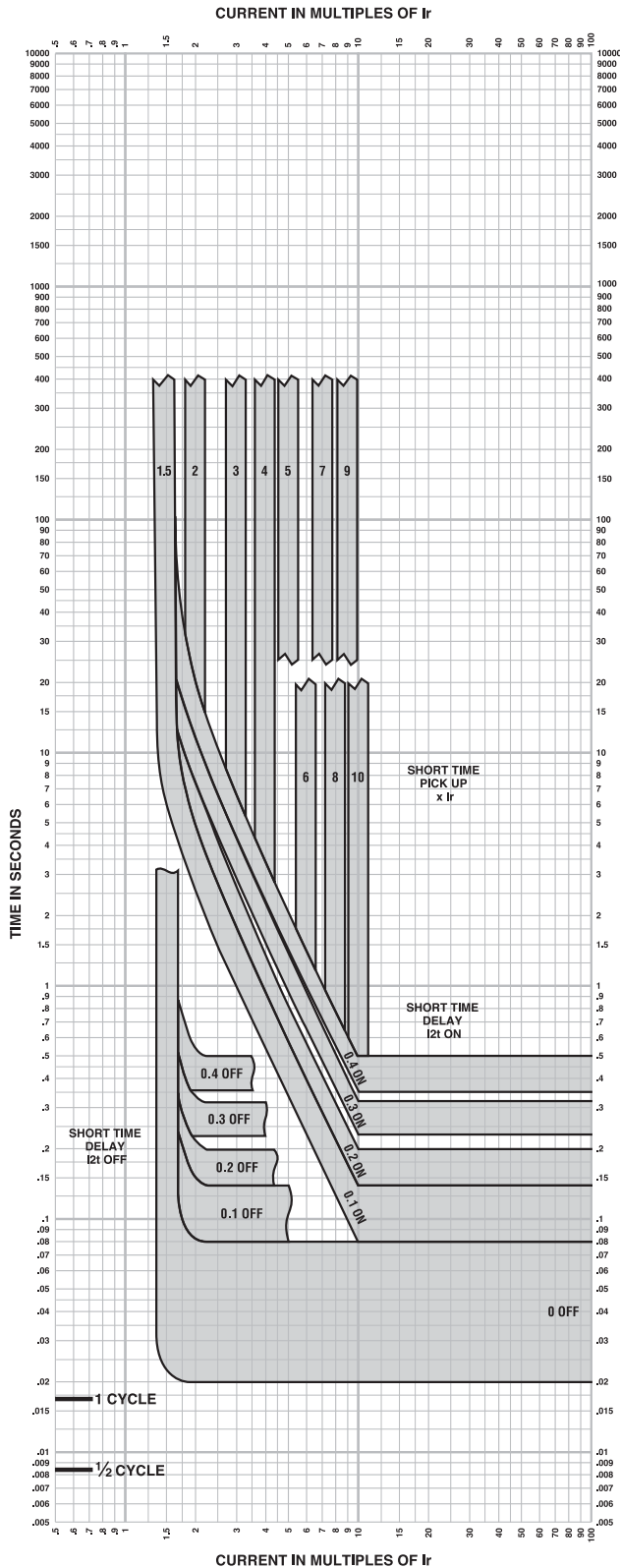
Notes:

1. There is a thermal-imaging effect that can act to shorten the long-time delay. The thermal imaging effect comes into play if a current above the long-time delay pickup value exists for a time and then is cleared by the tripping of a downstream device or the circuit breaker itself. A subsequent overload will cause the circuit breaker to trip in a shorter time than normal. The amount of time delay reduction is inverse to the amount of time that has elapsed since the previous overload. Approximately 20 minutes is required between overloads to completely reset thermal-imaging.
2. Total clearing times shown include the response times of the trip unit, the circuit breaker opening, and the extinction of the current.

Curves apply from -35°C to $+70^{\circ}\text{C}$ (-31°F to $+158^{\circ}\text{F}$) ambient temperature.

PowerPact H-, J-, and L-Frame Circuit Breakers Trip Curves

Figure 121: Micrologic 5.3, 5.3A-W, 5.3E, 5.3E-W, 6.3A, 6.3A-W, 6.3E, and 6.3E-W Electronic Trip Unit Short Time Trip Curve



MICROLOGIC™ ELECTRONIC TRIP UNITS Micrologic™ 5.3A, 5.3A-W, 5.3E, 5.3E-W, 6.3A, 6.3A-W, 6.3E, and 6.3E-W Short Time Trip Curve 400A L-Frame

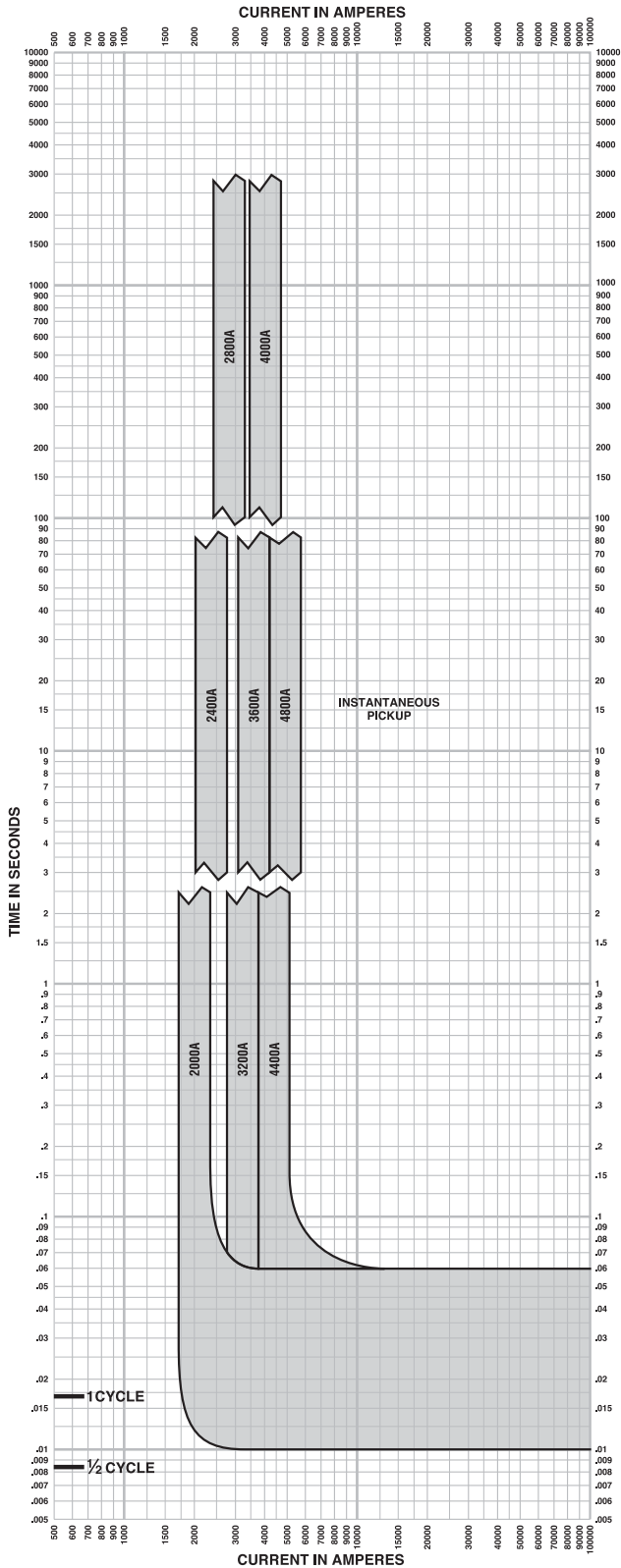
The time-current curve information is to be used for application and coordination purposes only.

Notes:

1. There is a thermal-imaging effect that can act to shorten the long-time delay. The thermal imaging effect comes into play if a current above the long-time delay pickup value exists for a time and then is cleared by the tripping of a downstream device or the circuit breaker itself. A subsequent overload will cause the circuit breaker to trip in a shorter time than normal. The amount of time delay reduction is inverse to the amount of time that has elapsed since the previous overload. Approximately 20 minutes is required between overloads to completely reset thermal-imaging.
2. Total clearing times shown include the response times of the trip unit, the circuit breaker opening, and the extinction of the current.

Curves apply from -35°C to +70°C (-31°F to +158°F) ambient temperature.

Figure 122: Micrologic 1.3 M Electronic Trip Unit Instantaneous Trip Curve



MICROLOGIC™ ELECTRONIC TRIP UNITS Micrologic™ 1.3M Instantaneous Trip Curve 400A L-Frame

The time-current curve information is to be used for application and coordination purposes only.

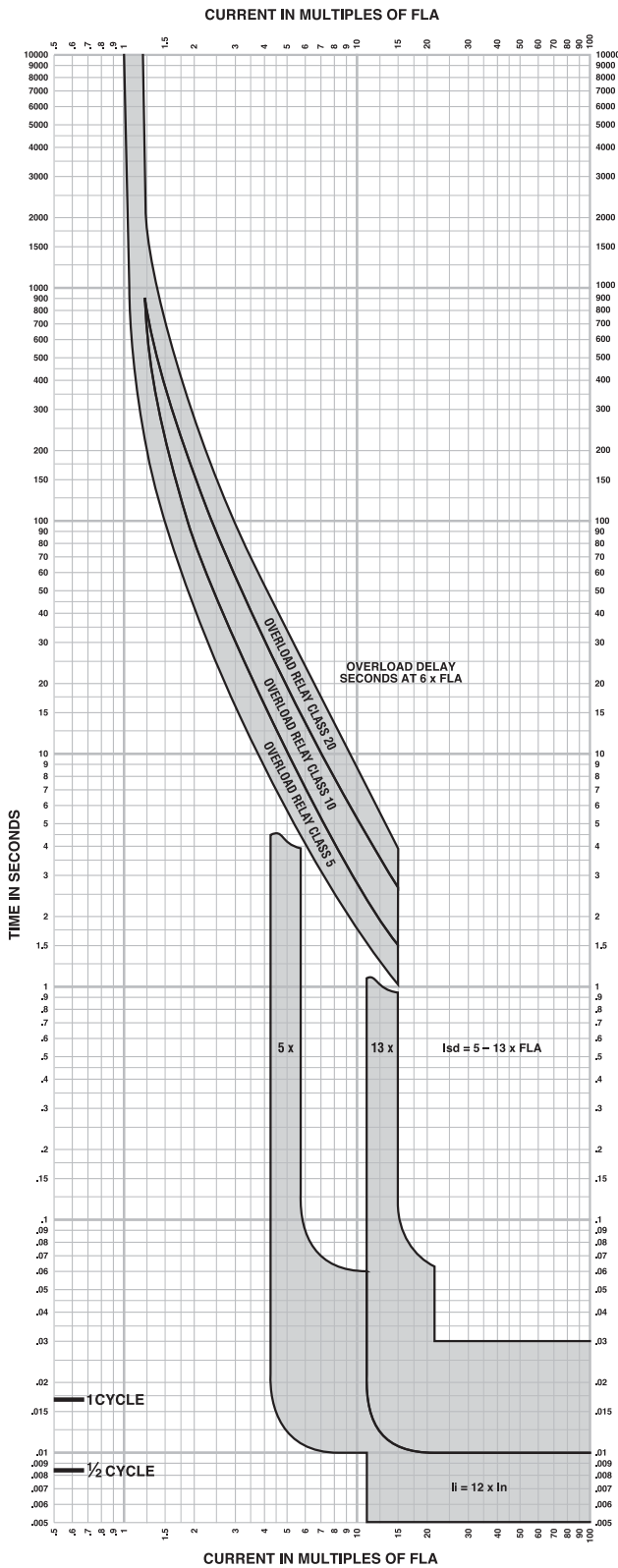
Notes:

1. Total clearing times shown include the response times of the trip unit, the circuit breaker opening, and the extinction of the current.

Curves apply from -35°C to +70°C (-31°F to +158°F) ambient temperature.

PowerPact H-, J-, and L-Frame Circuit Breakers Trip Curves

Figure 123: Micrologic 2.3 M Electronic Trip Unit Overload Trip Curve



MICROLOGIC™ ELECTRONIC TRIP UNITS Micrologic™ 2.3M Overload Trip Curve 400A, 600A L-Frame

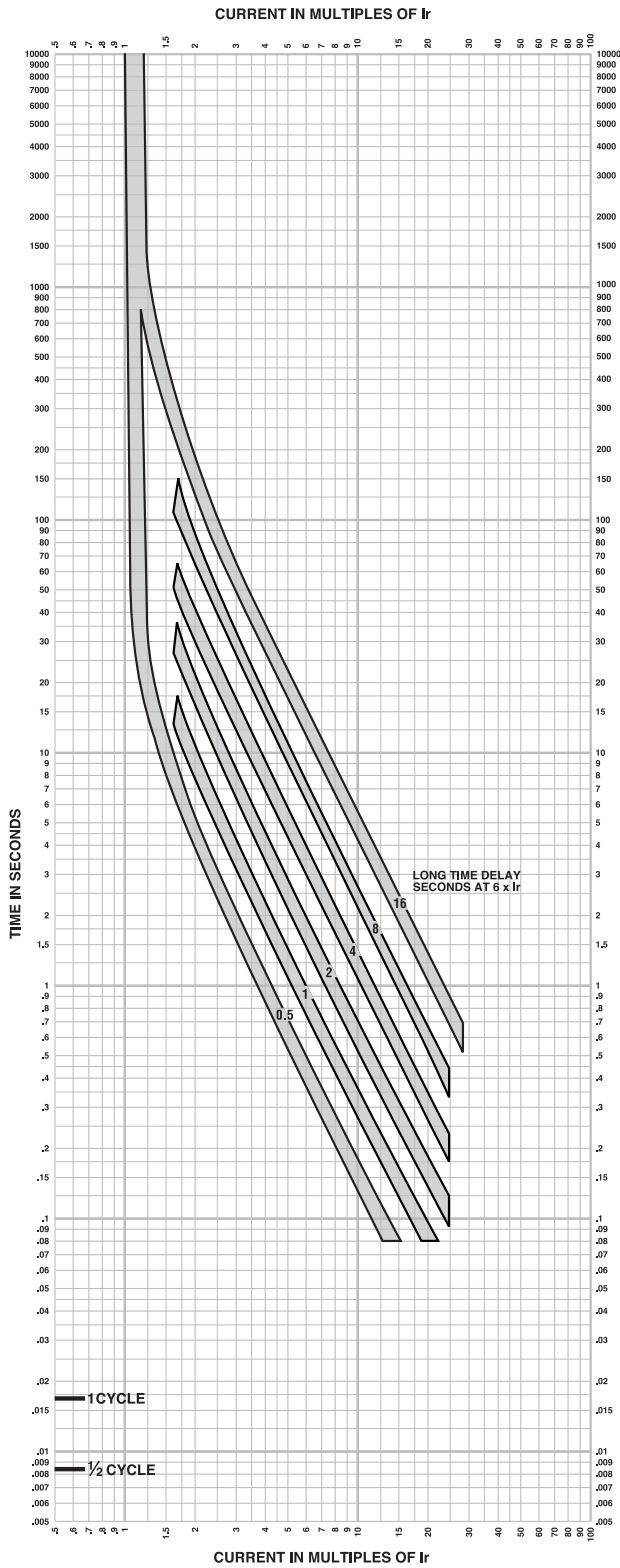
The time-current curve information is to be used for application and coordination purposes only.

Notes:

1. If overload still exists past overload relay delay, MCP will open 0.4 seconds later.
 2. Total clearing times shown include the response times of the trip unit, the circuit breaker opening, and the extinction of the current.
 3. I_{sd} minimum and maximum only shown.
 4. $I_i = 12 \times I_n$
 $I_n = 400A, 600A$
MCP will trip <30ms at $12 \times I_n$
- Curves apply from $-35^\circ C$ to $+70^\circ C$ ($-31^\circ F$ to $+158^\circ F$) ambient temperature.

PowerPact H-, J-, and L-Frame Circuit Breakers Trip Curves

Figure 124: Micrologic 3.3 and 3.3W Electronic Trip Unit Long Time Trip Curve



MICROLOGIC™ ELECTRONIC TRIP UNITS Micrologic™ 3.3 and 3.3-W Long Time Trip Curve 600A L-Frame

The time-current curve information is to be used for application and coordination purposes only.

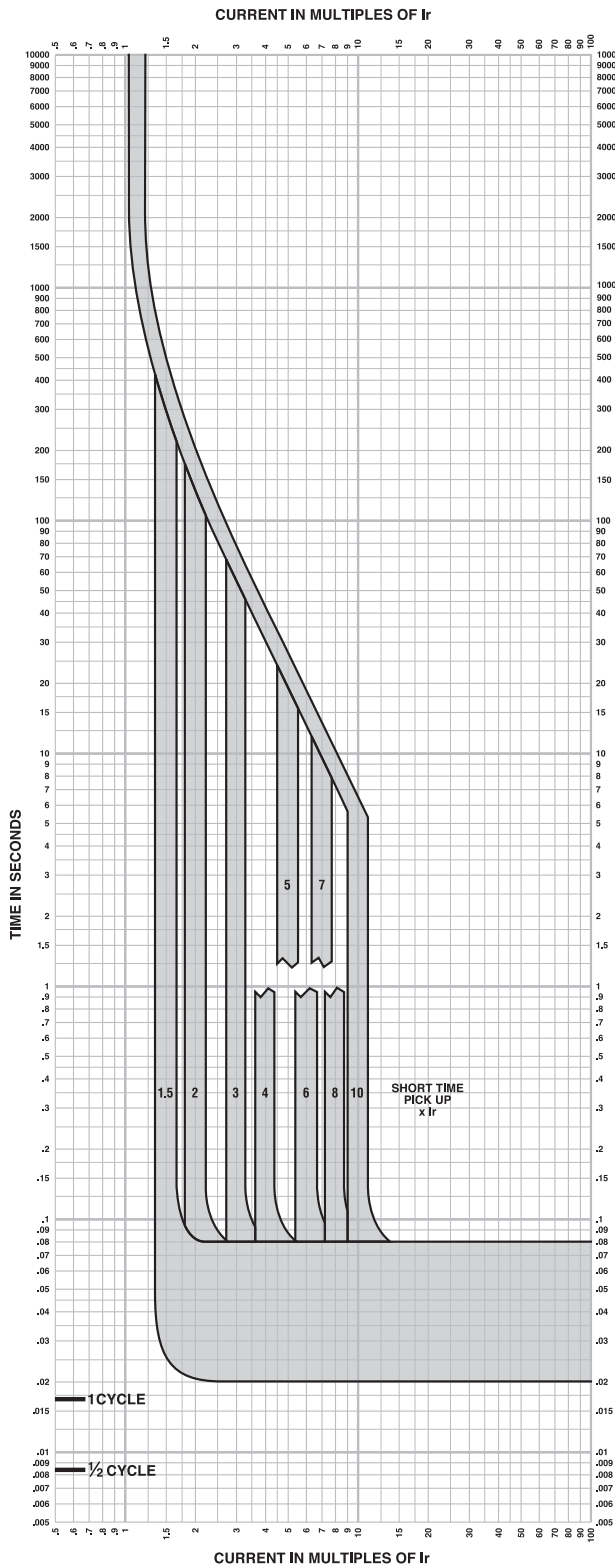
Notes:

1. There is a thermal-imaging effect that can act to shorten the long-time delay. The thermal imaging effect comes into play if a current above the long-time delay pickup value exists for a time and then is cleared by the tripping of a downstream device or the circuit breaker itself. A subsequent overload will cause the circuit breaker to trip in a shorter time than normal. The amount of time delay reduction is inverse to the amount of time that has elapsed since the previous overload. Approximately 20 minutes is required between overloads to completely reset thermal-imaging.
2. Total clearing times shown include the response times of the trip unit, the circuit breaker opening, and the extinction of the current.

Curves apply from -35°C to +70°C (-31°F to +158°F) ambient temperature.

PowerPact H-, J-, and L-Frame Circuit Breakers Trip Curves

Figure 125: Micrologic 3.3S and 3.3S-W Electronic Trip Unit Long Time/Short Time Trip Curve



MICROLOGIC™ ELECTRONIC TRIP UNITS Micrologic™ 3.3S and 3.3S-W Long Time/Short Time Trip Curve 600A L-Frame

The time-current curve information is to be used for application and coordination purposes only.

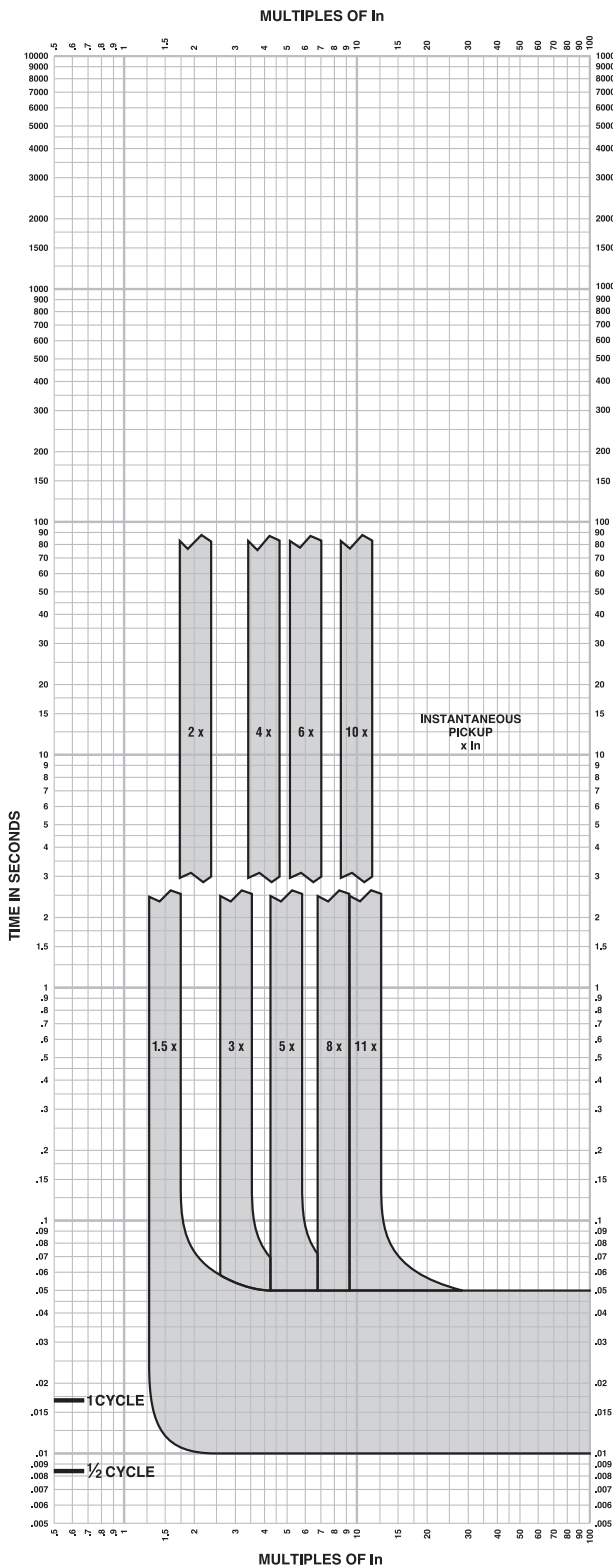
Notes:

1. There is a thermal-imaging effect that can act to shorten the long-time delay. The thermal imaging effect comes into play if a current above the long-time delay pickup value exists for a time and then is cleared by the tripping of a downstream device or the circuit breaker itself. A subsequent overload will cause the circuit breaker to trip in a shorter time than normal. The amount of time delay reduction is inverse to the amount of time that has elapsed since the previous overload. Approximately 20 minutes is required between overloads to completely reset thermal-imaging.
2. Total clearing times shown include the response times of the trip unit, the circuit breaker opening, and the extinction of the current.

Curves apply from -35°C to +70°C (-31°F to +158°F) ambient temperature.

PowerPact H-, J-, and L-Frame Circuit Breakers Trip Curves

Figure 126: Micrologic 3.3, 3.3-W, 3.3S, 3.3S-W, 5.3A, 5.3A-W, 5.3E, 5.3E-W, 6.3A, 6.3A-W, 6.3E, and 6.3E-W Electronic Trip Unit Instantaneous Trip Curve



MICROLOGIC™ ELECTRONIC TRIP UNITS
Micrologic™ 3.3, 3.3-W, 3.3S, 3.3S-W,
5.3A, 5.3A-W, 5.3E, 5.3E-W, 6.3A, 6.3A-W,
6.3E, and 6.3E-W
Instantaneous Trip Curve
600A L-Frame

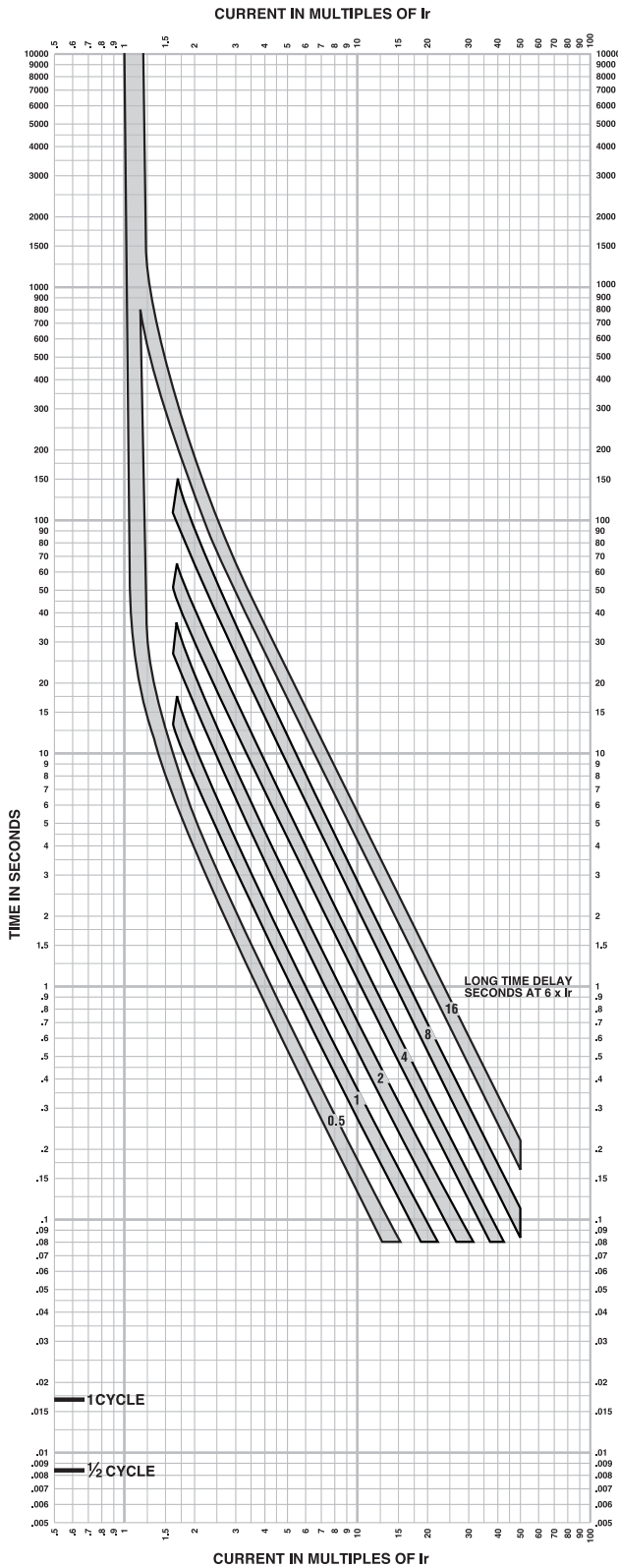
The time-current curve information is to be used for application and coordination purposes only.

Notes:

1. There is a thermal-imaging effect that can act to shorten the long-time delay. The thermal imaging effect comes into play if a current above the long-time delay pickup value exists for a time and then is cleared by the tripping of a downstream device or the circuit breaker itself. A subsequent overload will cause the circuit breaker to trip in a shorter time than normal. The amount of time delay reduction is inverse to the amount of time that has elapsed since the previous overload. Approximately 20 minutes is required between overloads to completely reset thermal-imaging.
 2. Total clearing times shown include the response times of the trip unit, the circuit breaker opening, and the extinction of the current.
 3. In = Maximum dial setting of Ir.
 600A L-Frame: In = 600A = Max Ir setting
- Curves apply from -35°C to +70°C (-31°F to +158°F) ambient temperature.

PowerPact H-, J-, and L-Frame Circuit Breakers Trip Curves

Figure 127: Micrologic 5.3A, 5.3A-W, 5.3E, 5.3E-W, 6.3A, 6.3A-W, 6.3E, and 6.3E-W Electronic Trip Unit Long Time Trip Curve



MICROLOGIC™ ELECTRONIC TRIP UNITS Micrologic™ 5.3A, 5.3A-W, 5.3E, 5.3E-W, 6.3A, 6.3A-W, 6.3E, and 6.3E-W Long Time Trip Curve 600A L-Frame

The time-current curve information is to be used for application and coordination purposes only.

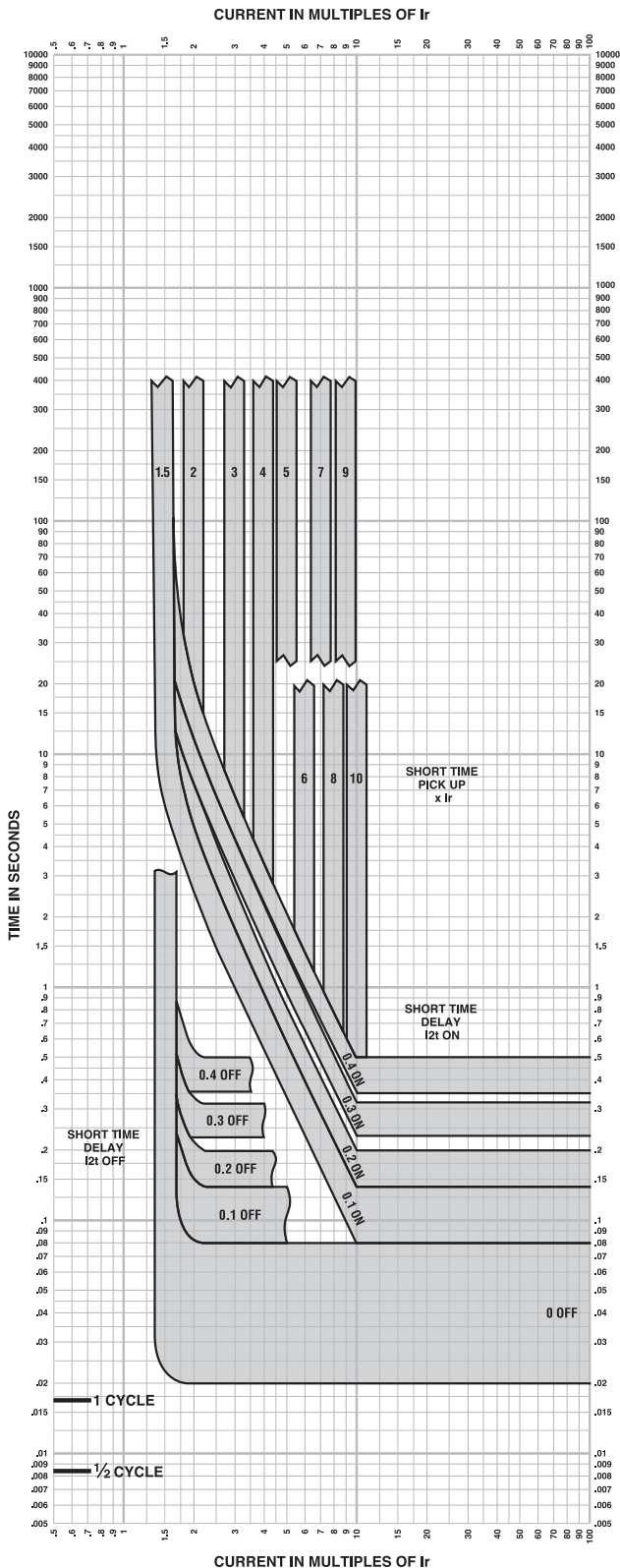
Notes:

1. There is a thermal-imaging effect that can act to shorten the long-time delay. The thermal imaging effect comes into play if a current above the long-time delay pickup value exists for a time and then is cleared by the tripping of a downstream device or the circuit breaker itself. A subsequent overload will cause the circuit breaker to trip in a shorter time than normal. The amount of time delay reduction is inverse to the amount of time that has elapsed since the previous overload. Approximately 20 minutes is required between overloads to completely reset thermal-imaging.
2. Total clearing times shown include the response times of the trip unit, the circuit breaker opening, and the extinction of the current.

Curves apply from -35°C to +70°C (-31°F to +158°F) ambient temperature.

PowerPact H-, J-, and L-Frame Circuit Breakers Trip Curves

Figure 128: Micrologic 5.3A, 5.3A-W, 5.3E, 5.3E-W, 6.3A, 6.3A-W, 6.3E, and 6.3E-W Electronic Trip Unit Short Time Trip Curve



MICROLOGIC™ ELECTRONIC TRIP UNITS Micrologic™ 5.3A, 5.3A-W, 5.3E, 5.3E-W, 6.3A, 6.3A-W, 6.3E, and 6.3E-W Short Time Trip Curve 600A L-Frame

The time-current curve information is to be used for application and coordination purposes only.

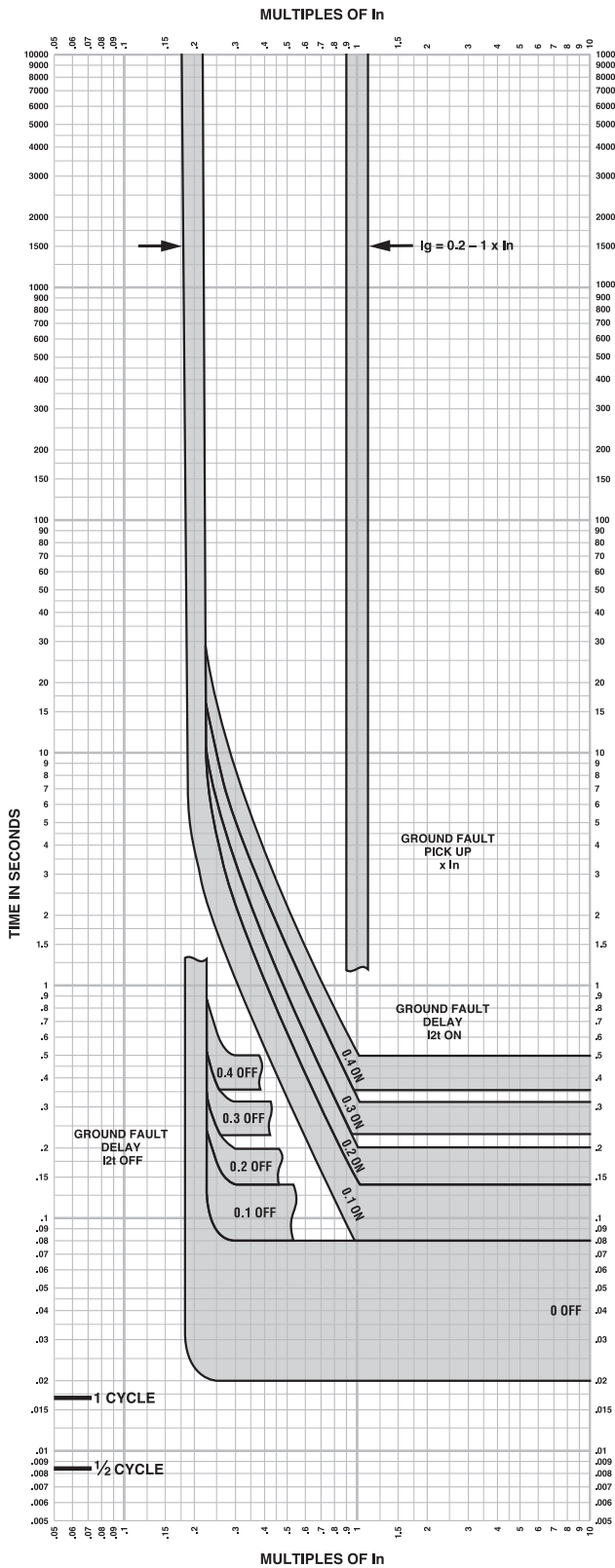
Notes:

1. There is a thermal-imaging effect that can act to shorten the long-time delay. The thermal imaging effect comes into play if a current above the long-time delay pickup value exists for a time and then is cleared by the tripping of a downstream device or the circuit breaker itself. A subsequent overload will cause the circuit breaker to trip in a shorter time than normal. The amount of time delay reduction is inverse to the amount of time that has elapsed since the previous overload. Approximately 20 minutes is required between overloads to completely reset thermal-imaging.
2. Total clearing times shown include the response times of the trip unit, the circuit breaker opening, and the extinction of the current.

Curves apply from -35°C to +70°C (-31°F to +158°F) ambient temperature.

PowerPact H-, J-, and L-Frame Circuit Breakers Trip Curves

Figure 129: Micrologic 6.3A, 6.3A-W, 6.3E, and 6.3E-W Ground-Fault Trip Curve



MICROLOGIC™ ELECTRONIC TRIP UNITS Micrologic™ 6.3A, 6.3A-W, 6.3E, and 6.3E-W Ground Fault Trip Curve 400A, 600A L-Frame

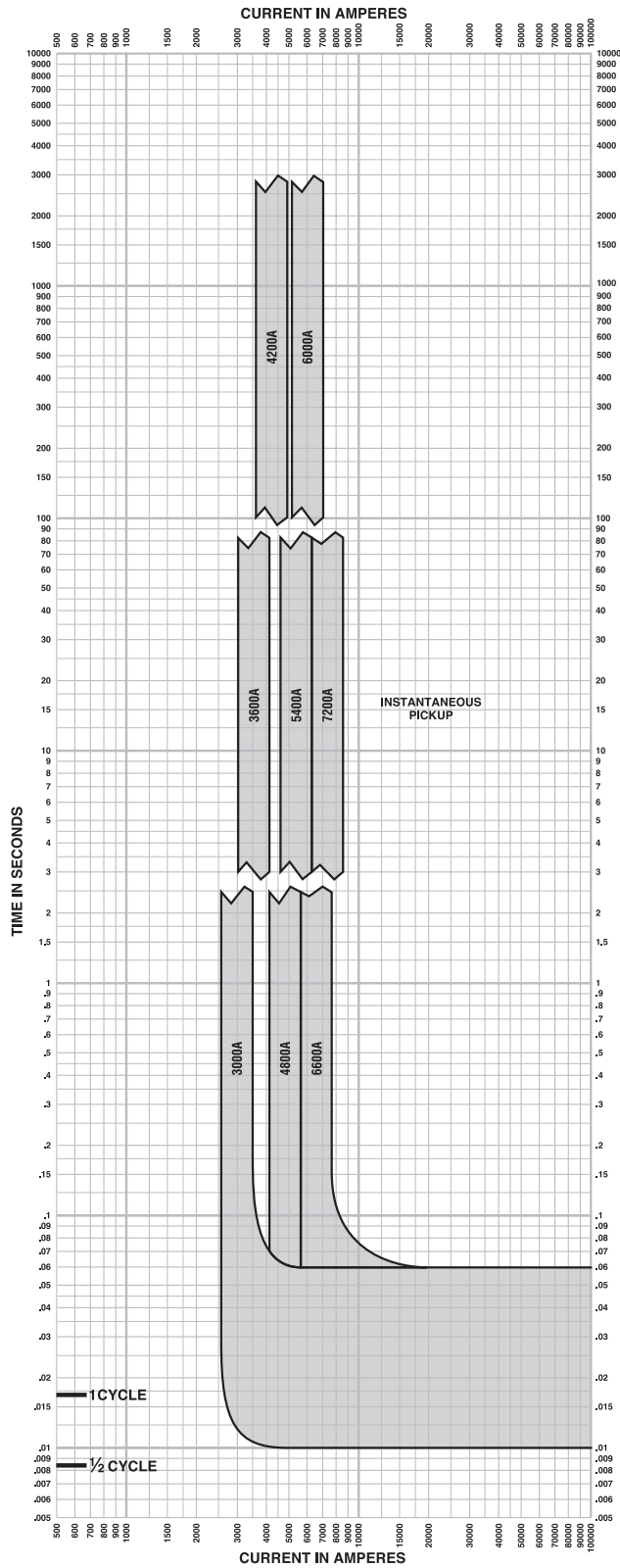
The time-current curve information is to be used for application and coordination purposes only.

1. Total clearing times shown include the response times of the trip unit, the circuit breaker opening, and the extinction of the current.

Curves apply from -35°C to +70°C (-31°F to +158°F) ambient temperature.

PowerPact H-, J-, and L-Frame Circuit Breakers Trip Curves

Figure 130: Micrologic 1.3 M Electronic Trip Unit Instantaneous Trip Curve



MICROLOGIC™ ELECTRONIC TRIP UNITS Micrologic™ 1.3M Instantaneous Trip Curve 600A L-Frame

The time-current curve information is to be used for application and coordination purposes only.

Notes:

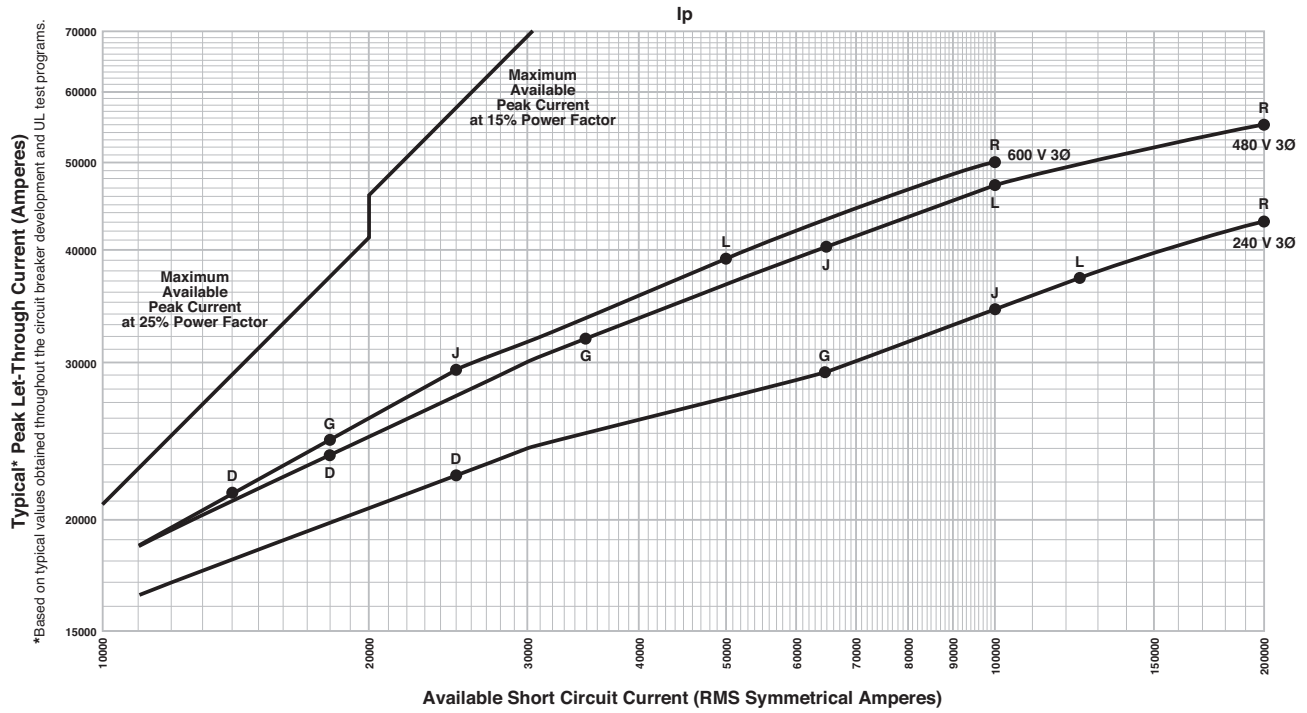
1. Total clearing times shown include the response times of the trip unit, the circuit breaker opening, and the extinction of the current.

Curves apply from -35°C to +70°C (-31°F to +158°F) ambient temperature.

PowerPact H-, J-, and L-Frame Circuit Breakers Trip Curves

Figure 131: L-Frame 600 A Typical Peak Let-Through Curves

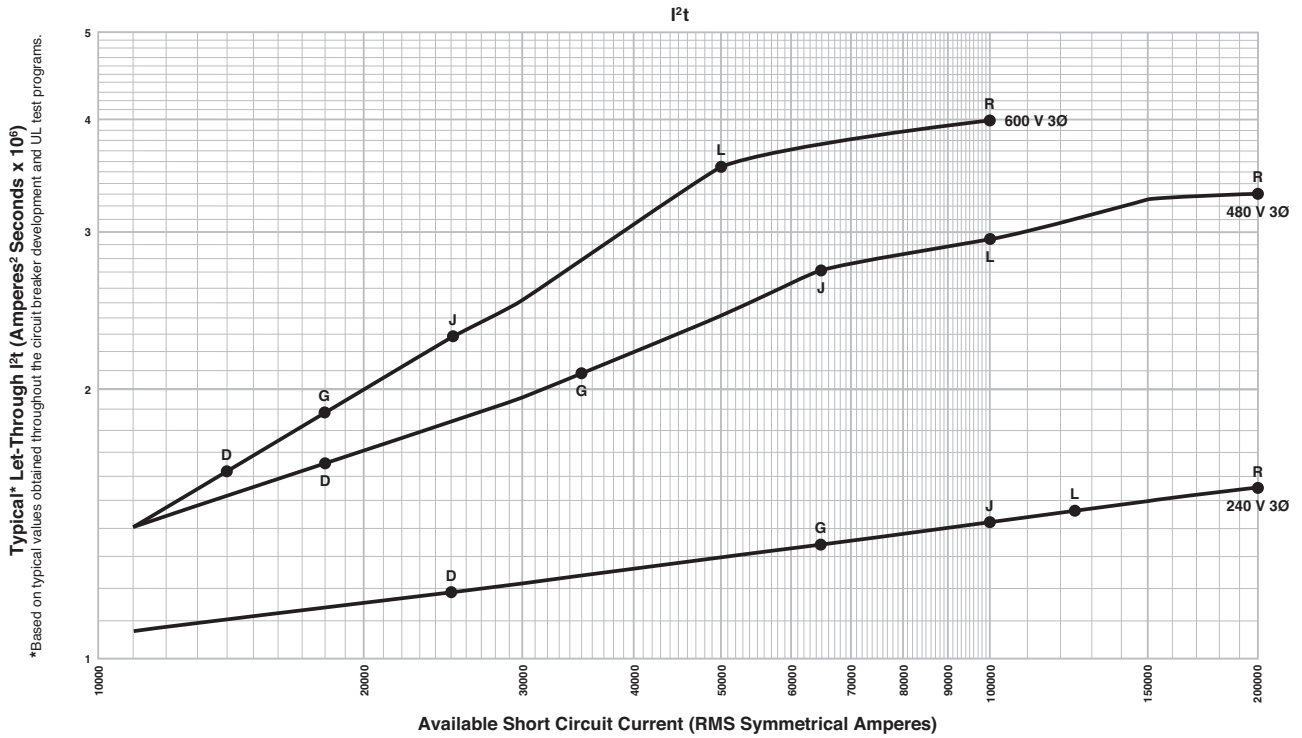
ELECTRONIC MOLDED CASE CIRCUIT BREAKERS
POWERPACT™ L-FRAME CURRENT LIMITING CIRCUIT BREAKERS
 600 A FRAME AT 240, 480 AND 600 V, 3Ø
 LD, LG, LJ, LL AND LR 250–600 A
PEAK LET-THROUGH CURRENT I_p



PowerPact H-, J-, and L-Frame Circuit Breakers Trip Curves

Figure 132: L-Frame 600 A Typical I^2t Let-Through Curves

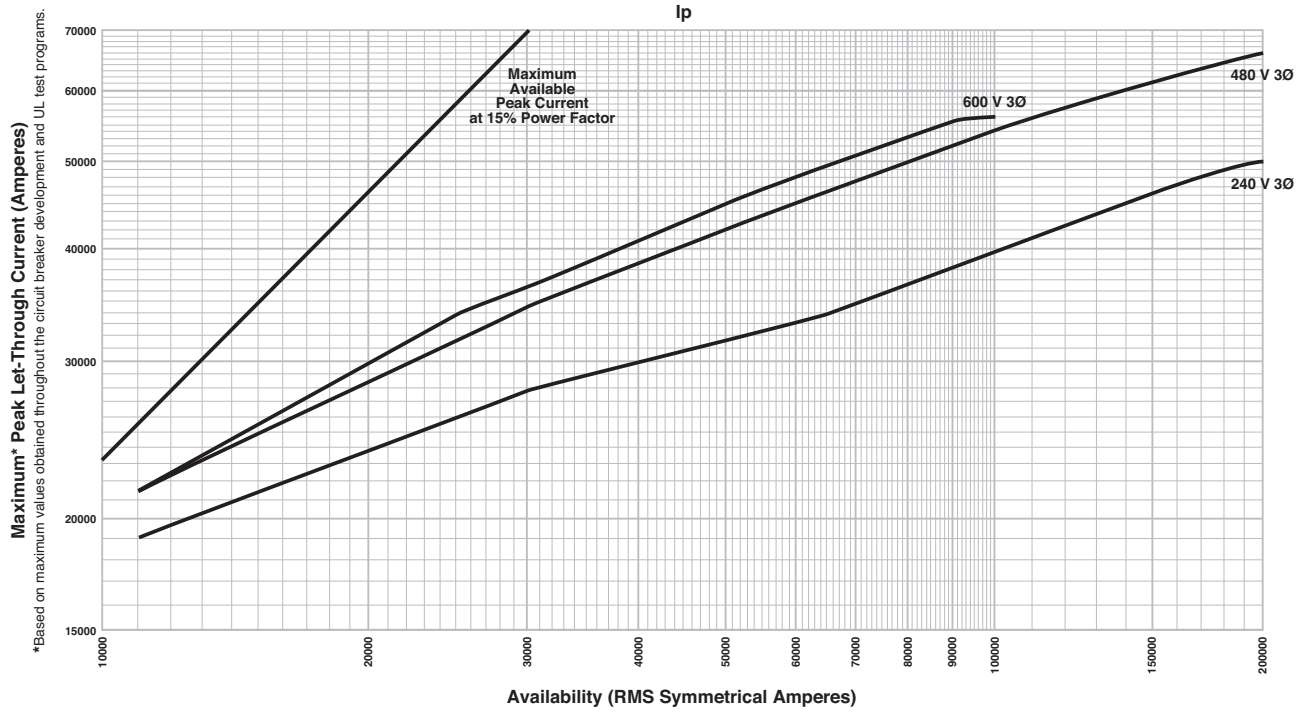
ELECTRONIC MOLDED CASE CIRCUIT BREAKERS
POWERPACT™ L-FRAME CURRENT LIMITING CIRCUIT BREAKERS
600 A FRAME AT 240, 480 AND 600 V, 3Ø
LD, LG, LJ, LL AND LR 250–600 A
LET-THROUGH I^2t



PowerPact H-, J-, and L-Frame Circuit Breakers Trip Curves

Figure 133: L-Frame UL Listed Current-Limiting Circuit Breaker

ELECTRONIC MOLDED CASE CIRCUIT BREAKERS
POWERPACT™ L-FRAME CURRENT LIMITING CIRCUIT BREAKERS
 600 A FRAME AT 240, 480 AND 600 V, 3Ø
 LJ, LL AND LR 250–600 A
PEAK LET-THROUGH CURRENT I_p



PowerPact H-, J-, and L-Frame Circuit Breakers Trip Curves

Figure 134: L-Frame UL Listed Current-Limiting Circuit Breaker

ELECTRONIC MOLDED CASE CIRCUIT BREAKERS
POWERPACT™ L-FRAME CURRENT LIMITING CIRCUIT BREAKERS
 600 A FRAME AT 240, 480 AND 600 V, 3Ø
 LJ, LL AND LR 250–600 A
 LET-THROUGH I^2t

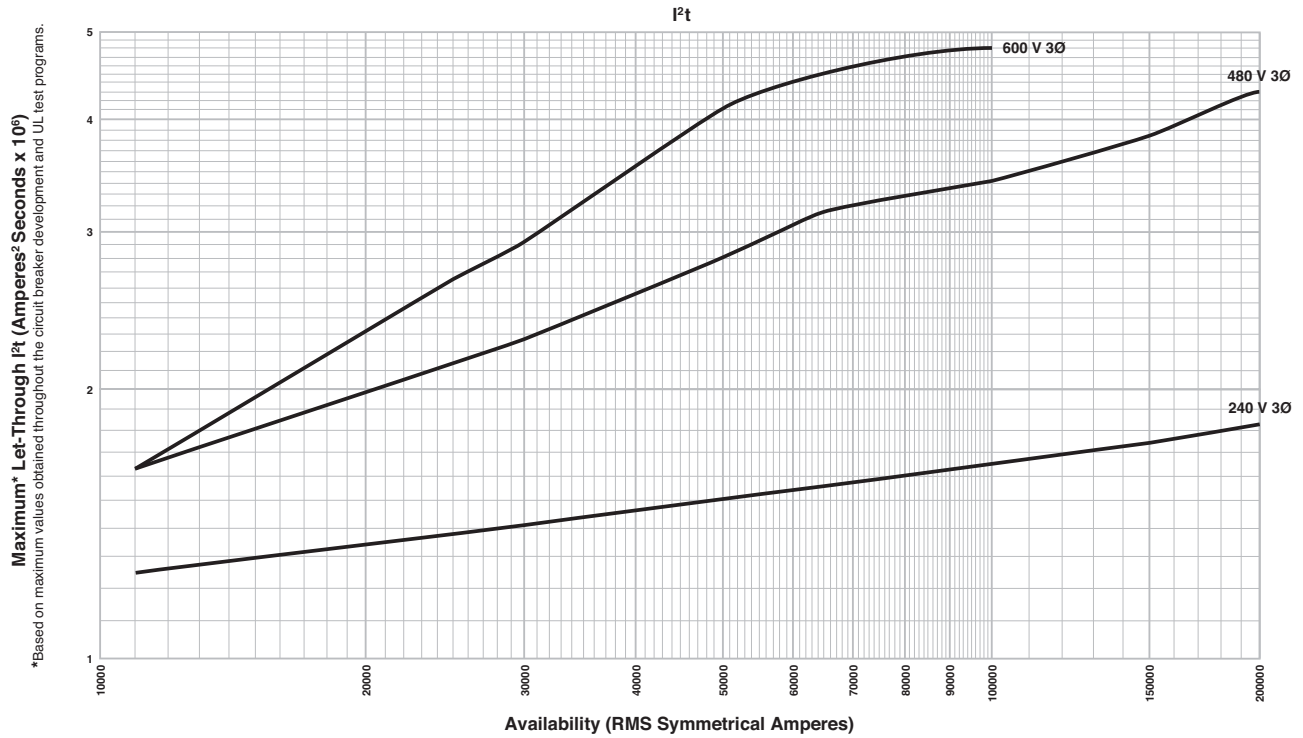
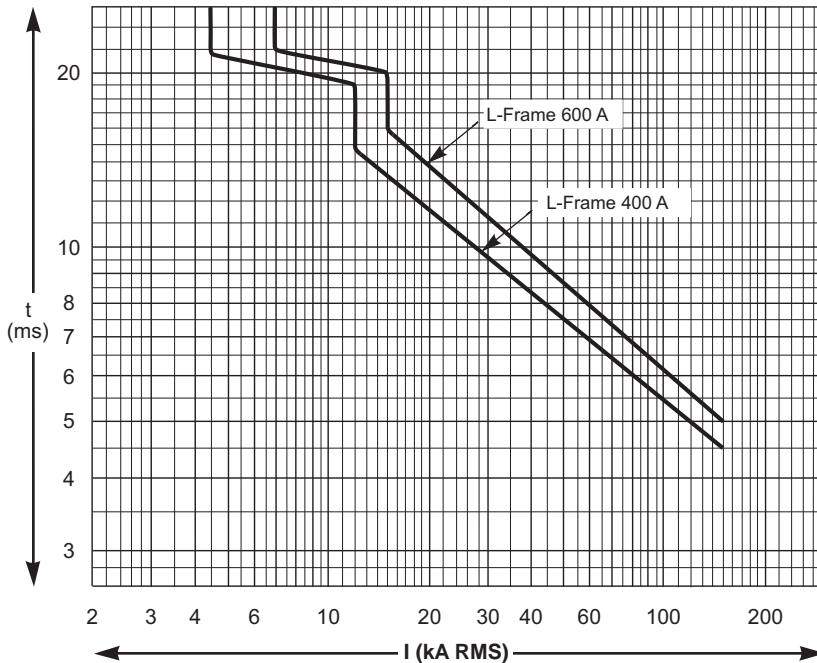


Figure 135: L-Frame Circuit Breaker Reflex Tripping



PowerPact H-, J-, and L-Frame Circuit Breakers

Catalog Numbers

Catalog Numbers

29271	143	HDA26100()	33	HDL26150	29	HDL36125T	36	HGA36040	33
32521	143	HDA26110()	33	HDL26150C	29	HDL36150	29	HGA36045	33
32556	134	HDA26125()	33	HDL36015	29	HDL36150C	29	HGA36050	33
32595	135	HDA26150()	33	HDL36015C	29	HDL36150CU31X	31	HGA36060	33
685823	109	HDA261501	140	HDL36015T	36	HDL36150CU33X	31	HGA36060U31X	35
685824	109	HDA261502	140	HDL36020	29	HDL36150CU43X	31	HGA36060U33X	35
685825	109	HDA261503	140	HDL36020C	29	HDL36150CU53X	31	HGA36060U43X()	35
685826	109	HDA261504	140	HDL36020T	36	HDL36150T	36	HGA36060U44X	35
685827	109	HDA261505	140	HDL36025	29	HDL36150TU31X	37	HGA36060U53X	35
685829	109	HDA261506	140	HDL36025C	29	HDL36150TU33X	37	HGA36060U54X	35
685831	110	HDA36015	33	HDL36025T	36	HDL36150TU43X	37	HGA36070	33
9421LC46	129	HDA36020	33	HDL36030	29	HDL36150TU44X	37	HGA36080	33
9421LD1	129	HDA36025	33	HDL36030C	29	HDL36150TU53X	37	HGA36090	33
9421LD4	129	HDA36030	33	HDL36030T	36	HDL36150TU54X	37	HGA36100	33
9421LH46	129	HDA36035	33	HDL36035	29	HDL36150U31X	31	HGA36100U31X	35
9421LH6	129	HDA36040	33	HDL36035C	29	HDL36150U33X	31	HGA36100U33X	35
9421LJ1	128	HDA36045	33	HDL36035T	36	HDL36150U43X	31	HGA36100U43X	35
9421LJ4	128	HDA36050	33	HDL36040	29	HDL36150U44X	31	HGA36100U44X	35
9421LJ7	129	HDA36060	33	HDL36040C	29	HDL36150U53X	31	HGA36100U53X	35
9421LS13	129	HDA36060U31X	35	HDL36040T	36	HDL36150U54X	31	HGA36100U54X	35
9421LS8	129	HDA36060U33X	35	HDL36045	29	HE3060U31X	38	HGA36110	33
9422A1	129	HDA36060U43X	35	HDL36045C	29	HE3060U31X	93	HGA36125	33
9422CSF10	129	HDA36060U44X	35	HDL36045T	36	HE3060U33X	38	HGA36150	33
9422CSF30	129	HDA36060U53X	35	HDL36050	29	HE3060U33X	93	HGA36150U31X	35
9422CSF50	129	HDA36060U54X	35	HDL36050C	29	HE3060U43X	38	HGA36150U33X	35
9422CSF70	129	HDA36070	33	HDL36050T	36	HE3060U43X	94	HGA36150U43X	35
9422CSJ10	129	HDA36080	33	HDL36060	29	HE3060U43X	94	HGA36150U44X	35
9422CSJ30	129	HDA36090	33	HDL36060C	29	HE3060U44X	38	HGA36150U53X	35
9422CSJ50	129	HDA36100	33	HDL36060CU31X	31	HE3060U44X	94	HGA36150U54X	35
9422RSI	129	HDA36100U31X	35	HDL36060CU33X	31	HE3060U53X	38	HGF36000F06	38
9422RSI	130	HDA36100U33X	35	HDL36060CU43X	31	HE3060U53X	94	HGF36000F15	38
AL150HD	145	HDA36100U43X	35	HDL36060CU53X	31	HE3060U54X	38	HGL26000S15	47
AL175JD	145	HDA36100U44X	35	HDL36060T	36	HE3060U54X	94	HGL26015	29
AL250JD	145	HDA36100U53X	35	HDL36060TU31X	37	HE3100U31X	38	HGL26015C	29
AL400L61K3	145	HDA36100U54X	35	HDL36060TU33X	37	HE3100U31X	93	HGL26020	29
AL400L61K4	145	HDA36110	33	HDL36060TU43X	37	HE3100U33X	38	HGL26020C	29
AL600LF52K34	145	HDA36125	33	HDL36060TU44X	37	HE3100U33X	93	HGL26025	29
AL600LS52K3	145	HDA36150	140	HDL36060TU53X	37	HE3100U43X	38	HGL26025C	29
AL600LS52K44	145	HDA36150	33	HDL36060TU54X	37	HE3100U44X	38	HGL26030	29
CU150HD	145	HDA361506	140	HDL36060U31X	31	HE3100U44X	94	HGL26030C	29
CU250JD	145	HDA36150U31X	35	HDL36060U33X	31	HE3100U53X	38	HGL26035	29
CU400L61K3	145	HDA36150U33X	35	HDL36060U43X	31	HE3100U53X	94	HGL26035C	29
CU400L61K4	145	HDA36150U43X	35	HDL36060U44X	31	HE3100U54X	38	HGL26040	29
CU600LF52K34	145	HDA36150U44X	35	HDL36060U53X	31	HE3100U54X	94	HGL26040C	29
CU600LS52K34	145	HDA36150U53X	35	HDL36060U54X	31	HE3150U31X	38	HGL26045	29
CU600LS52K44	145	HDA36150U54X	35	HDL36070	29	HE3150U31X	93	HGL26045C	29
CYA060HD	149	HDF36000F06	38	HDL36070C	29	HE3150U33X	38	HGL26050	29
CYA060HD	149	HDF36000F15	38	HDL36070T	36	HE3150U33X	93	HGL26050C	29
CYA150HD	149	HDL26015	29	HDL36080	29	HE3150U43X	38	HGL26060	29
CYA150HD	149	HDL26015C	29	HDL36080C	29	HE3150U43X	94	HGL26060C	29
CYA150JD	149	HDL26020	29	HDL36080T	36	HE3150U44X	38	HGL26070	29
CYA150JD	149	HDL26020C	29	HDL36090	29	HE3150U44X	94	HGL26070C	29
CYA250J3	149	HDL26025	29	HDL36090C	29	HE3150U53X	38	HGL26080	29
CYA250J3	149	HDL26025C	29	HDL36090T	36	HE3150U53X	94	HGL26080C	29
CYA400L31K3	149	HDL26030	29	HDL36100	29	HE3150U54X	38	HGL26090	29
CYA400L31K4	149	HDL26030C	29	HDL36100C	29	HE3150U54X	94	HGL26090C	29
CYA400L51K3	149	HDL26035	29	HDL36100CU31X	31	HGA26015()	33	HGL26100	29
CYA400L51K4	149	HDL26035C	29	HDL36100CU33X	31	HGA26020()	33	HGL26100C	29
CYA600L32K3	149	HDL26040	29	HDL36100CU43X	31	HGA26025()	33	HGL26110	29
CYA600L32K4	149	HDL26040C	29	HDL36100CU53X	31	HGA26030()	33	HGL26110C	29
CYA600L52K3	149	HDL26045	29	HDL36100T	36	HGA26035()	33	HGL26125	29
CYA600L52K4	149	HDL26045C	29	HDL36100TU31X	37	HGA26040()	33	HGL26125C	29
ELM150HD	126	HDL26050	29	HDL36100TU33X	37	HGA26045()	33	HGL26150	29
ELM250JD	126	HDL26050C	29	HDL36100TU43X	37	HGA26050()	33	HGL26150C	29
GFM150HD	125	HDL26060	29	HDL36100TU44X	37	HGA26060()	33	HGL36000S15	47
GFM250JD	125	HDL26060C	29	HDL36100TU53X	37	HGA26070()	33	HGL36015	29
HDA26015()	33	HDL26070	29	HDL36100TU54X	37	HGA26080()	33	HGL36015C	29
HDA26020()	33	HDL26070C	29	HDL36100U31X	31	HGA26090()	33	HGL36015T	36
HDA26025()	33	HDL26080	29	HDL36100U33X	31	HGA26100()	33	HGL36020	29
HDA26030()	33	HDL26080C	29	HDL36100U43X	31	HGA26110()	33	HGL36020C	29
HDA26035()	33	HDL26090	29	HDL36100U44X	31	HGA26125()	33	HGL36020T	36
HDA26040()	33	HDL26090C	29	HDL36100U53X	31	HGA26150()	33	HGL36025	29
HDA26045()	33	HDL26100	29	HDL36100U54X	31	HGA36000S15	47	HGL36025C	29
HDA26050()	33	HDL26100C	29	HDL36110	29	HGA36015	33	HGL36025T	36
HDA26060()	33	HDL26110	29	HDL36110C	29	HGA36020	33	HGL36030	29
HDA26070()	33	HDL26110C	29	HDL36110T	36	HGA36025	33	HGL36030C	29
HDA26080()	33	HDL26125	29	HDL36125	29	HGA36030	33	HGL36030T	36
HDA26090()	33	HDL26125C	29	HDL36125C	29	HGA36035	33	HGL36035	29

PowerPact H-, J-, and L-Frame Circuit Breakers

Catalog Numbers

HGL36035C29	HGL36150U44X31	HJL2609029	HJL36100U43X31	HLA36150U54X35
HGL36035T36	HGL36150U53X31	HJL26090C29	HJL36100U44X31	HLF36000F0638
HGL3604029	HGL36150U54X31	HJL2610029	HJL36100U53X31	HLF36000F1538
HGL36040C29	HGL37030D8720	HJL26100C29	HJL36100U54X31	HLL26000S1547
HGL36040T36	HGL37050D8720	HJL2611029	HJL3611029	HLL2601529
HGL3604529	HGL37070D8720	HJL26110C29	HJL36110C29	HLL26015C29
HGL36045C29	HJA26015()33	HJL2612529	HJL36110T36	HLL2602029
HGL36045T36	HJA26020()33	HJL26125C29	HJL3612529	HLL26020C29
HGL3605029	HJA26025()33	HJL2615029	HJL36125C29	HLL2602529
HGL36050C29	HJA26030()33	HJL26150C29	HJL36125T36	HLL26025C29
HGL36050T36	HJA26035()33	HJL3601529	HJL3615029	HLL2603029
HGL3606029	HJA26040()33	HJL36015C29	HJL36150C29	HLL26030C29
HGL36060C29	HJA26045()33	HJL36015T36	HJL36150CU31X31	HLL2603529
HGL36060CU31X31	HJA26050()33	HJL3602029	HJL36150CU33X31	HLL26035C29
HGL36060CU33X31	HJA26060()33	HJL36020C29	HJL36150CU43X31	HLL2604029
HGL36060CU43X31	HJA26070()33	HJL36020T36	HJL36150CU53X31	HLL26040C29
HGL36060CU53X31	HJA26080()33	HJL3602529	HJL36150M7453	HLL2604529
HGL36060T36	HJA26090()33	HJL36025C29	HJL36150T36	HLL26045C29
HGL36060TU31X37	HJA26100()33	HJL36025T36	HJL36150TU31X37	HLL2605029
HGL36060TU33X37	HJA26110()33	HJL3603029	HJL36150TU33X37	HLL26050C29
HGL36060TU43X37	HJA26125()33	HJL36030C29	HJL36150TU43X37	HLL2606029
HGL36060TU44X37	HJA26150()33	HJL36030M7153	HJL36150TU44X37	HLL26060C29
HGL36060TU53X37	HJA3601533	HJL36030T36	HJL36150TU53X37	HLL2607029
HGL36060TU54X37	HJA3602033	HJL3603529	HJL36150TU54X37	HLL26070C29
HGL36060U31X31	HJA3602533	HJL36035C29	HJL36150U31X31	HLL2608029
HGL36060U33X31	HJA3603033	HJL36035T36	HJL36150U33X31	HLL26080C29
HGL36060U43X31	HJA3603533	HJL3604029	HJL36150U43X31	HLL2609029
HGL36060U44X31	HJA3604033	HJL36040C29	HJL36150U44X31	HLL26090C29
HGL36060U53X31	HJA3604533	HJL36040T36	HJL36150U53X31	HLL2610029
HGL36060U54X31	HJA3605033	HJL3604529	HJL36150U54X31	HLL26100C29
HGL3607029	HJA3606033	HJL36045C29	HJL36150U54X()33	HLL2611029
HGL36070C29	HJA36060U31X35	HJL36045T36	HLA26020()33	HLL26110C29
HGL36070T36	HJA36060U33X35	HJL3605029	HLA26025()33	HLL2612529
HGL3608029	HJA36060U43X35	HJL36050C29	HLA26030()33	HLL26125C29
HGL36080C29	HJA36060U44X35	HJL36050M7253	HLA26035()33	HLL2615029
HGL36080T36	HJA36060U53X35	HJL36050T36	HLA26040()33	HLL26150C29
HGL3609029	HJA36060U54X35	HJL3606029	HLA26045()33	HLL36000S1547
HGL36090C29	HJA3607033	HJL36060C29	HLA26050()33	HLL3601529
HGL36090T36	HJA3608033	HJL36060CU31X31	HLA26060()33	HLL36015C29
HGL3610029	HJA3609033	HJL36060CU33X31	HLA26070()33	HLL36015T36
HGL36100C29	HJA3610033	HJL36060CU43X31	HLA26080()33	HLL3602029
HGL36100CU31X31	HJA36100U31X35	HJL36060CU53X31	HLA26090()33	HLL36020C29
HGL36100CU33X31	HJA36100U33X35	HJL36060T36	HLA26100()33	HLL36020T36
HGL36100CU43X31	HJA36100U43X35	HJL36060TU31X37	HLA26110()33	HLL3602529
HGL36100CU53X31	HJA36100U44X35	HJL36060TU33X37	HLA26125()33	HLL36025C29
HGL36100T36	HJA36100U53X35	HJL36060TU43X37	HLA26150()33	HLL36025T36
HGL36100TU31X37	HJA36100U54X35	HJL36060TU44X37	HLA36000S1547	HLL3603029
HGL36100TU33X37	HJA3611033	HJL36060TU53X37	HLA3601533	HLL36030C29
HGL36100TU43X37	HJA3612533	HJL36060TU54X37	HLA3602033	HLL36030M7153
HGL36100TU44X37	HJA3615033	HJL36060U31X31	HLA3602533	HLL36030T36
HGL36100TU53X37	HJA36150U31X35	HJL36060U33X31	HLA3603033	HLL3603529
HGL36100TU54X37	HJA36150U33X35	HJL36060U43X31	HLA3603533	HLL36035C29
HGL36100U31X31	HJA36150U43X35	HJL36060U44X31	HLA3604033	HLL36035T36
HGL36100U33X31	HJA36150U44X35	HJL36060U53X31	HLA3604533	HLL3604029
HGL36100U43X31	HJA36150U53X35	HJL36060U54X31	HLA3605033	HLL36040C29
HGL36100U44X31	HJA36150U54X()35	HJL3607029	HLA3606033	HLL36040T36
HGL36100U53X31	HJF36000F0638	HJL36070C29	HLA36060U31X35	HLL3604529
HGL36100U54X31	HJF36000F1538	HJL36070T36	HLA36060U33X35	HLL36045C29
HGL3611029	HJL2601529	HJL3608029	HLA36060U43X35	HLL36045T36
HGL36110C29	HJL26015C29	HJL36080C29	HLA36060U44X35	HLL3605029
HGL36110T36	HJL2602029	HJL36080T36	HLA36060U53X35	HLL36050C29
HGL3612529	HJL26020C29	HJL3609029	HLA36060U54X35	HLL36050M7253
HGL36125C29	HJL2602529	HJL36090C29	HLA3607033	HLL36050T36
HGL36125T36	HJL26025C29	HJL36090T36	HLA3608033	HLL3606029
HGL3615029	HJL2603029	HJL3610029	HLA3609033	HLL36060C29
HGL36150C29	HJL26030C29	HJL36100C29	HLA3610033	HLL36060CU31X31
HGL36150CU31X31	HJL2603529	HJL36100CU31X31	HLA36100U31X35	HLL36060CU33X31
HGL36150CU33X31	HJL26035C29	HJL36100CU33X31	HLA36100U33X35	HLL36060CU43X31
HGL36150CU43X31	HJL2604029	HJL36100CU43X31	HLA36100U43X35	HLL36060CU53X31
HGL36150CU53X31	HJL26040C29	HJL36100CU53X31	HLA36100U44X35	HLL36060T36
HGL36150T36	HJL2604529	HJL36100M7353	HLA36100U53X35	HLL36060TU31X37
HGL36150TU31X37	HJL26045C29	HJL36100T36	HLA36100U54X35	HLL36060TU33X37
HGL36150TU33X37	HJL2605029	HJL36100TU31X37	HLA3611033	HLL36060TU43X37
HGL36150TU43X37	HJL26050C29	HJL36100TU33X37	HLA3612533	HLL36060TU44X37
HGL36150TU44X37	HJL2606029	HJL36100TU43X37	HLA3615033	HLL36060TU53X37
HGL36150TU53X37	HJL26060C29	HJL36100TU44X37	HLA36150U3135	HLL36060TU54X37
HGL36150TU54X37	HJL2607029	HJL36100TU53X37	HLA36150U33X35	HLL36060U31X31
HGL36150U31X31	HJL26070C29	HJL36100TU54X37	HLA36150U43X35	HLL36060U33X31
HGL36150U33X31	HJL2608029	HJL36100U31X31	HLA36150U44X35	HLL36060U43X31
HGL36150U43X31	HJL26080C29	HJL36100U33X31	HLA36150U53X35	HLL36060U44X31

PowerPact H-, J-, and L-Frame Circuit Breakers

Catalog Numbers

HLL36060U53X	31	HRL36060CU31X	31	JDA36250U31X	35	JGA36175	34	JJA36150	34
HLL36060U54X	31	HRL36060CU33X	31	JDA36250U33X	35	JGA36200	34	JJA36175	34
HLL36070	29	HRL36060CU43X	31	JDA36250U43X	35	JGA36225	34	JJA36200	34
HLL36070C	29	HRL36060CU53X	31	JDA36250U44X	35	JGA36250	34	JJA36225	34
HLL36070T	36	HRL36060U31X	31	JDA36250U53X	35	JGA36250U31X	35	JJA36250	34
HLL36080	29	HRL36060U33X	31	JDA36250U54X	35	JGA36250U33X	35	JJA36250U31X	35
HLL36080C	29	HRL36060U43X	31	JDF36000F25	38	JGA36250U43X	35	JJA36250U33X	35
HLL36080T	36	HRL36060U44X	31	JDL26150	30	JGA36250U44X	35	JJA36250U43X	35
HLL36090	29	HRL36060U53X	31	JDL26150C	30	JGA36250U53X	35	JJA36250U44X	35
HLL36090C	29	HRL36060U54X	31	JDL26175	30	JGA36250U54X	35	JJA36250U53X	35
HLL36090T	36	HRL36100CU31X	31	JDL26175C	30	JGF36000F25	38	JJA36250U54X	35
HLL36100	29	HRL36100CU33X	31	JDL26200	30	JGL26000S17	47	JJF36000F25	38
HLL36100C	29	HRL36100CU43X	31	JDL26200C	30	JGL26000S25	47	JJL26150	30
HLL36100CU31X	31	HRL36100CU53X	31	JDL26225	30	JGL26150	30	JJL26150C	30
HLL36100CU33X	31	HRL36100M73	53	JDL26225C	30	JGL26150C	30	JJL26175	30
HLL36100CU43X	31	HRL36100U31X	31	JDL26250	30	JGL26175	30	JJL26175C	30
HLL36100CU53X	31	HRL36100U33X	31	JDL26250C	30	JGL26175C	30	JJL26200	30
HLL36100M73	53	HRL36100U43X	31	JDL34250WU31X	32	JGL26200	30	JJL26200C	30
HLL36100T	36	HRL36100U44X	31	JDL34250WU33X	32	JGL26200C	30	JJL26225	30
HLL36100TU31X	37	HRL36100U53X	31	JDL34250WU43X	32	JGL26225	30	JJL26225C	30
HLL36100TU33X	37	HRL36100U54X	31	JDL34250WU44X	32	JGL26225C	30	JJL26250	30
HLL36100TU43X	37	HRL36150CU31X	31	JDL34250WU45X	32	JGL26250	30	JJL26250C	30
HLL36100TU44X	37	HRL36150CU33X	31	JDL34250WU54X	32	JGL26250C	30	JJL34250WU31X	32
HLL36100TU53X	37	HRL36150CU43X	31	JDL36150	30	JGL34250WU31X	32	JJL34250WU33X	32
HLL36100TU54X	37	HRL36150CU53X	31	JDL36150C	30	JGL34250WU33X	32	JJL34250WU43X	32
HLL36100U31X	31	HRL36150M74	53	JDL36150T	36	JGL34250WU43X	32	JJL34250WU44X	32
HLL36100U33X	31	HRL36150U31X	31	JDL36175	30	JGL34250WU44X	32	JJL34250WU53X	32
HLL36100U43X	31	HRL36150U33X	31	JDL36175C	30	JGL34250WU53X	32	JJL34250WU54X	32
HLL36100U44X	31	HRL36150U43X	31	JDL36175T	36	JGL34250WU54X	32	JJL36150	30
HLL36100U53X	31	HRL36150U44X	31	JDL36200	30	JGL36000S17	47	JJL36150C	30
HLL36100U54X	31	HRL36150U53X	31	JDL36200C	30	JGL36000S25	47	JJL36150T	36
HLL36110	29	HRL36150U54X	31	JDL36200T	36	JGL36150	30	JJL36175	30
HLL36110C	29	HT3015	86	JDL36225	30	JGL36150C	30	JJL36175C	30
HLL36110T	36	HT3015	86	JDL36225C	30	JGL36150T	36	JJL36175T	36
HLL36125	29	HT3020	37	JDL36225T	36	JGL36175	30	JJL36200	30
HLL36125C	29	HT3020	86	JDL36250	30	JGL36175C	30	JJL36200C	30
HLL36125T	36	HT3025	37	JDL36250C	30	JGL36175T	36	JJL36200T	36
HLL36150	29	HT3025	86	JDL36250CU31X	31	JGL36200	30	JJL36225	30
HLL36150C	29	HT3030	37	JDL36250CU33X	31	JGL36200C	30	JJL36225C	30
HLL36150CU31X	31	HT3030	86	JDL36250CU43X	31	JGL36200T	36	JJL36225T	36
HLL36150CU33X	31	HT3035	37	JDL36250CU53X	31	JGL36225	30	JJL36250	30
HLL36150CU43X	31	HT3035	86	JDL36250T	36	JGL36225C	30	JJL36250C	30
HLL36150CU53X	31	HT3040	37	JDL36250TU31X	37	JGL36225T	36	JJL36250CU31X	31
HLL36150M74	53	HT3040	86	JDL36250TU33X	37	JGL36250	30	JJL36250CU33X	31
HLL36150T	36	HT3045	37	JDL36250TU43X	37	JGL36250C	30	JJL36250CU43X	31
HLL36150TU31X	37	HT3045	86	JDL36250TU44X	37	JGL36250CU31X	31	JJL36250CU43X	31
HLL36150TU33X	37	HT3050	37	JDL36250TU53X	37	JGL36250CU33X	31	JJL36250M75	53
HLL36150TU43X	37	HT3050	86	JDL36250TU54X	37	JGL36250CU43X	31	JJL36250T	36
HLL36150TU44X	37	HT3060	37	JDL36250U31X	31	JGL36250CU53X	31	JJL36250TU31X	37
HLL36150TU53X	37	HT3060	86	JDL36250U33X	31	JGL36250T	36	JJL36250TU33X	37
HLL36150TU54X	37	HT3070	37	JDL36250U43X	31	JGL36250TU31X	37	JJL36250TU43X	37
HLL36150U31X	31	HT3070	86	JDL36250U44X	31	JGL36250TU33X	37	JJL36250TU44X	37
HLL36150U33X	31	HT3080	37	JDL36250U53X	31	JGL36250TU43X	37	JJL36250TU53X	37
HLL36150U43X	31	HT3080	86	JDL36250U54X	31	JGL36250TU44X	37	JJL36250TU54X	37
HLL36150U44X	31	HT3090	37	JE3250U31X	38	JGL36250TU53X	37	JJL36250U31X	31
HLL36150U53X	31	HT3090	86	JE3250U31X	93	JGL36250TU54X	37	JJL36250U33X	31
HLL36150U54X	31	HT3100	37	JE3250U33X	38	JGL36250U31X	31	JJL36250U43X	31
HLL37030D87	20	HT3100	86	JE3250U33X	93	JGL36250U33X	31	JJL36250U44X	31
HLL37050D87	20	HT3110	37	JE3250U43X	38	JGL36250U43X	31	JJL36250U53X	31
HLL37070D87	20	HT3110	86	JE3250U43X	94	JGL36250U44X	31	JJL36250U54X	31
HRA36060U31X	35	HT3125	37	JE3250U44X	38	JGL36250U53X	31	JJA34250WU31X	35
HRA36060U33X	35	HT3125	86	JE3250U44X	94	JGL36250U54X	31	JJA34250WU33X	35
HRA36060U43X	35	HT3150	37	JE3250U53X	38	JGL37100D81	20	JJA34250WU43X	35
HRA36060U44X	35	HT3150	86	JE3250U53X	94	JGL37125D81	20	JJA34250WU44X	35
HRA36060U53X	35	JDA26150()	34	JE3250U54X	38	JGL37150D81	20	JJA34250WU53X	35
HRA36060U54X	35	JDA26175()	34	JE3250U54X	94	JGL37175D81	20	JJA34250WU54X	35
HRA36100U31X	35	JDA26200()	34	JJA26150()	34	JGL37200D82	20	JJA36000S17	47
HRA36100U33X	35	JDA26225()	34	JJA26175()	34	JGL37225D82	20	JJA36000S25	47
HRA36100U43X	35	JDA26250()	34	JJA26200()	34	JGL37250D82	20	JJA36150	34
HRA36100U44X	35	JDA34250WU31X	35	JJA26225()	34	JJA26150()	34	JJA36175	34
HRA36100U53X	35	JDA34250WU33X	35	JJA26250()	34	JJA26175()	34	JJA36200	34
HRA36100U54X	35	JDA34250WU43X	35	JJA26200()	34	JJA26200()	34	JJA36225	34
HRA36150U31X	35	JDA34250WU44X	35	JJA26225()	34	JJA26225()	34	JJA36250	34
HRA36150U33X	35	JDA34250WU53X	35	JJA26250()	34	JJA26250()	34	JJA36250U31X	35
HRA36150U43X	35	JDA34250WU54X	35	JJA34250WU31X	35	JJA34250WU31X	35	JJA36250U33X	35
HRA36150U44X	35	JDA36150	34	JJA34250WU33X	35	JJA34250WU33X	35	JJA36250U43X	35
HRA36150U53X	35	JDA36175	34	JJA34250WU43X	35	JJA34250WU43X	35	JJA36250U44X	35
HRA36150U54X	35	JDA36200	34	JJA34250WU44X	35	JJA34250WU44X	35	JJA36250U53X	35
HRL36030M71	53	JDA36225	34	JJA34250WU53X	35	JJA34250WU53X	35	JJA36250U54X	35
HRL36050M72	53	JDA36250	34	JJA36150	34	JJA34250WU54X	35	JJF36000F25	38

PowerPact H-, J-, and L-Frame Circuit Breakers Catalog Numbers

JLL26000S17	47	JRL36225	30	LDL36250RU31X	43	LE3250U33X	44	LGF36000F60	44
JLL26000S25	47	JRL36225C	30	LDL36250RU33X	43	LE3250U33X	93	LGL34250WU31X	40
JLL26150	30	JRL36250	30	LDL36250TU31X	43	LE3400U31X	44	LGL34250WU33X	40
JLL26150C	30	JRL36250C	30	LDL36250TU33X	43	LE3400U31X	93	LGL34400WU31X	40
JLL26175	30	JRL36250CU31X	31	LDL36250U31X	39	LE3400U33X	44	LGL34400WU33X	40
JLL26175C	30	JRL36250CU33X	31	LDL36250U33X	39	LE3400U33X	93	LGL34400WU43X	40
JLL26200	30	JRL36250CU43X	31	LDL36250U31X	39	LE3400U43X	44	LGL34400WU44X	40
JLL26200C	30	JRL36250CU53X	31	LDL36400CU33X	39	LE3400U43X	94	LGL34400WU53X	40
JLL26225	30	JRL36250M75	53	LDL36400CU43X	39	LE3400U44X	44	LGL34400WU54X	40
JLL26225C	30	JRL36250U31X	31	LDL36400CU44X	39	LE3400U44X	94	LGL34600WU31X	40
JLL26250	30	JRL36250U33X	31	LDL36400CU53X	39	LE3400U53X	44	LGL34600WU33X	40
JLL26250C	30	JRL36250U43X	31	LDL36400CU54X	39	LE3400U53X	94	LGL34600WU43X	40
JLL34250WU31X	32	JRL36250U44X	31	LDL36400RU31X	43	LE3400U54X	44	LGL34600WU44X	40
JLL34250WU33X	32	JRL36250U53X	31	LDL36400RU33X	43	LE3400U54X	94	LGL34600WU53X	40
JLL34250WU43X	32	JRL36250U54X	31	LDL36400RU43X	43	LE3600U31X	44	LGL34600WU54X	40
JLL34250WU44X	32	JT3150	37	LDL36400RU44X	43	LE3600U31X	93	LGL36000S40X	48
JLL34250WU53X	32	JT3150	86	LDL36400RU53X	43	LE3600U33X	44	LGL36000S60X	48
JLL34250WU54X	32	JT3175	37	LDL36400RU54X	43	LE3600U33X	93	LGL36250CU31X	39
JLL36000S17	47	JT3175	86	LDL36400TU31X	43	LE3600U43X	44	LGL36250CU33X	39
JLL36000S25	47	JT3200	37	LDL36400TU33X	43	LE3600U43X	94	LGL36250RU31X	43
JLL36150	30	JT3200	86	LDL36400TU43X	43	LE3600U44X	44	LGL36250RU33X	43
JLL36150C	30	JT3225	37	LDL36400TU44X	43	LE3600U44X	94	LGL36250TU31X	43
JLL36150T	36	JT3225	86	LDL36400TU53X	43	LE3600U53X	44	LGL36250TU33X	43
JLL36175	30	JT3250	37	LDL36400TU54X	43	LE3600U53X	94	LGL36250U31X	39
JLL36175C	30	JT3250	86	LDL36400U31X	39	LE3600U54X	44	LGL36250U33X	39
JLL36175T	36	LDA34250WU31X	42	LDL36400U33X	39	LE3600U54X	94	LGL36400CU31X	39
JLL36200	30	LDA34250WU33X	42	LDL36400U43X	39	LE4250U31X	93	LGL36400CU33X	39
JLL36200C	30	LDA34400WU31X	42	LDL36400U44X	39	LE4250U33X	93	LGL36400CU43X	39
JLL36200T	36	LDA34600WU31X	42	LDL36400U53X	39	LE4400U31X	93	LGL36400CU44X	39
JLL36225	30	LDA34400WU33X	42	LDL36400U54X	39	LE4400U33X	93	LGL36400CU53X	39
JLL36225C	30	LDA34400WU43X	42	LDL36600U31X	43	LE4400U43X	94	LGL36400CU54X	39
JLL36225T	36	LDA34400WU44X	42	LDL36600U33X	43	LE4400U44X	94	LGL36400RU31X	43
JLL36250	30	LDA34400WU53X	42	LDL36600TU33X	43	LE4400U53X	94	LGL36400RU33X	43
JLL36250C	30	LDA34400WU54X	42	LDL36600TU43X	43	LE4400U54X	94	LGL36400RU43X	43
JLL36250CU31X	31	LDA34600WU33X	42	LDL36600TU53X	43	LE4600U31X	93	LGL36400RU44X	43
JLL36250CU33X	31	LDA34600WU43X	42	LDL36600TU54X	43	LE4600U33X	93	LGL36400RU53X	43
JLL36250CU43X	31	LDA34600WU44X	42	LDL36600U31X	39	LE4600U43X	94	LGL36400RU54X	43
JLL36250CU53X	31	LDA34600WU53X	42	LDL36600U33X	39	LE4600U44X	94	LGL36400TU31X	43
JLL36250M75	53	LDA34600WU54X	42	LDL36600U43X	39	LE4600U53X	94	LGL36400TU33X	43
JLL36250T	36	LDA36250CU31X	43	LDL36600U44X	39	LE4600U54X	94	LGL36400TU43X	43
JLL36250TU31X	37	LDA36250CU33X	43	LDL36600U53X	39	LGA34250WU31X	42	LGL36400TU44X	43
JLL36250TU33X	37	LDA36250U31X	42	LDL36600U54X	39	LGA34250WU33X	42	LGL36400TU53X	43
JLL36250TU43X	37	LDA36250U33X	42	LDL44250WU31X	41	LGA34400WU31X	42	LGL36400TU54X	43
JLL36250TU44X	37	LDA36400CU31X	43	LDL44250WU33X	41	LGA34400WU33X	42	LGL36400U31X	39
JLL36250TU53X	37	LDA36400CU33X	43	LDL44400WU31X	41	LGA34400WU43X	42	LGL36400U33X	39
JLL36250TU54X	37	LDA36400CU43X	43	LDL44400WU33X	41	LGA34400WU44X	42	LGL36400U43X	39
JLL36250U31X	31	LDA36400CU44X	43	LDL44400WU43X	41	LGA34400WU53X	42	LGL36400U44X	39
JLL36250U33X	31	LDA36400CU53X	43	LDL44400WU44X	41	LGA34400WU54X	42	LGL36400U53X	39
JLL36250U43X	31	LDA36400CU54X	43	LDL44400WU53X	41	LGA34600WU31X	42	LGL36400U54X	39
JLL36250U44X	31	LDA36400U31X	42	LDL44400WU54X	41	LGA34600WU33X	42	LGL36600TU31X	43
JLL36250U53X	31	LDA36600U31X	42	LDL44600WU31X	41	LGA34600WU43X	42	LGL36600TU33X	43
JLL36250U54X	31	LDA36400U33X	42	LDL44600WU33X	41	LGA34600WU44X	42	LGL36600TU43X	43
JLL37100D81	20	LDA36400U43X	42	LDL44600WU43X	41	LGA34600WU53X	42	LGL36600TU44X	43
JLL37125D81	20	LDA36400U44X	42	LDL44600WU44X	41	LGA34600WU54X	42	LGL36600TU53X	43
JLL37150D81	20	LDA36400U53X	42	LDL44600WU53X	41	LGA36000S40X	48	LGL36600TU54X	43
JLL37175D81	20	LDA36400U54X	42	LDL44600WU54X	41	LGA36000S60X	48	LGL36600U31X	39
JLL37200D82	20	LDA36600U33X	42	LDL46250CU31X	41	LGA36250CU31X	43	LGL36600U33X	39
JLL37225D82	20	LDA36600U43X	42	LDL46250CU33X	41	LGA36250CU33X	43	LGL36600U43X	39
JLL37250D82	20	LDA36600U44X	42	LDL46250U31X	41	LGA36250U31X	42	LGL36600U44X	39
JRA36000S17	47	LDA36600U53X	42	LDL46250U33X	41	LGA36250U33X	42	LGL36600U53X	39
JRA36000S25	47	LDA36600U54X	42	LDL46400CU31X	41	LGA36400CU31X	43	LGL36600U54X	39
JRA36150	34	LDF36000F25	44	LDL46400CU33X	41	LGA36400CU33X	43	LGL37030D27	20
JRA36175	34	LDF36000F40	44	LDL46400CU43X	41	LGA36400CU43X	43	LGL37035D29	20
JRA36200	34	LDF36000F60	44	LDL46400CU44X	41	LGA36400CU44X	43	LGL37040D30	20
JRA36225	34	LDL34250WU31X	40	LDL46400CU53X	41	LGA36400CU53X	43	LGL37045D31	20
JRA36250	34	LDL34250WU33X	40	LDL46400CU54X	41	LGA36400CU54X	43	LGL37050D32	20
JRA36250U31X	35	LDL34400WU31X	40	LDL46400U31X	41	LGA36400U31X	42	LGL37060D33	20
JRA36250U33X	35	LDL34400WU33X	40	LDL46400U33X	41	LGA36400U33X	42	LGL44250WU31X	41
JRA36250U43X	35	LDL34400WU43X	40	LDL46400U43X	41	LGA36400U43X	42	LGL44250WU33X	41
JRA36250U44X	35	LDL34400WU44X	40	LDL46400U44X	41	LGA36400U44X	42	LGL44400WU31X	41
JRA36250U53X	35	LDL34400WU53X	40	LDL46400U53X	41	LGA36400U53X	42	LGL44400WU33X	41
JRA36250U54X	35	LDL34400WU54X	40	LDL46400U54X	41	LGA36400U54X	42	LGL44400WU43X	41
JRL36000S17	47	LDL36000WU31X	40	LDL46600U31X	41	LGA36600U31X	42	LGL44400WU44X	41
JRL36000S25	47	LDL36600WU33X	40	LDL46600U33X	41	LGA36600U33X	42	LGL44400WU53X	41
JRL36150	30	LDL36600WU43X	40	LDL46600U43X	41	LGA36600U43X	42	LGL44400WU54X	41
JRL36150C	30	LDL36600WU44X	40	LDL46600U44X	41	LGA36600U44X	42	LGL44600WU31X	41
JRL36175	30	LDL36600WU53X	40	LDL46600U53X	41	LGA36600U53X	42	LGL44600WU33X	41
JRL36175C	30	LDL36600WU54X	40	LDL46600U54X	41	LGA36600U54X	42	LGL44600WU43X	41
JRL36200	30	LDL36250CU31X	39	LE3250U31X	44	LGF36000F25	44	LGL44600WU44X	41
JRL36200C	30	LDL36250CU33X	39	LE3250U33X	93	LGF36000F40	44	LGL44600WU53X	41

PowerPact H-, J-, and L-Frame Circuit Breakers

Catalog Numbers

LGL4600S40X	41	LJL34600WU44X	40	LJL46600U44X	41	LLL36400TU31X	43	LRA36400CU33X	43
LGL4600S60X	48	LJL34600WU53X	40	LJL46600U53X	41	LLL36400TU33X	43	LRA36400CU43X	43
LGL46250CU31X	41	LJL34600WU54X	40	LJL46600U54X	41	LLL36400TU43X	43	LRA36400CU44X	43
LGL46250CU33X	41	LJL36250CU31X	39	LLA34250WU31X	42	LLL36400TU44X	43	LRA36400CU53X	43
LGL46250CU33X	41	LJL36250CU33X	39	LLA34250WU33X	42	LLL36400TU53X	43	LRA36400CU54X	43
LGL46250U31X	41	LJL36250RU31X	43	LLA34400WU31X	42	LLL36400TU54X	43	LRA36400U31X	42
LGL46250U33X	41	LJL36250RU33X	43	LLA34400WU33X	42	LLL36400U31X	39	LRA36400U33X	42
LGL46400CU31X	41	LJL36250TU31X	43	LLA34400WU43X	42	LLL36400U33X	39	LRA36400U43X	42
LGL46400CU33X	41	LJL36250TU33X	43	LLA34400WU44X	42	LLL36400U43X	39	LRA36400U44X	42
LGL46400CU43X	41	LJL36250U31X	39	LLA34400WU53X	42	LLL36400U44X	39	LRA36400U53X	42
LGL46400CU44X	41	LJL36250U33X	39	LLA34400WU54X	42	LLL36400U53X	39	LRA36400U54X	42
LGL46400CU53X	41	LJL36400CU31X	39	LLA34600WU31X	42	LLL36400U54X	39	LRA36600U31X	42
LGL46400CU54X	41	LJL36400CU43X	39	LLA34600WU33X	42	LLL36600TU31X	43	LRA36600U33X	42
LGL46400U31X	41	LJL36400CU44X	39	LLA34600WU43X	42	LLL36600TU33X	43	LRA36600U43X	42
LGL46400U33X	41	LJL36400CU53X	39	LLA34600WU44X	42	LLL36600TU43X	43	LRA36600U44X	42
LGL46400U43X	41	LJL36400CU54X	39	LLA34600WU44X	42	LLL36600TU44X	43	LRA36600U44X	42
LGL46400U44X	41	LJL36400RU31X	43	LLA34600WU54X	42	LLL36600TU53X	43	LRA36600U54X	42
LGL46400U53X	41	LJL36400RU33X	43	LLA36000S40X	48	LLL36600TU54X	43	LRL36000S40X	48
LGL46400U54X	41	LJL36400RU43X	43	LLA36000S60X	48	LLL36600U31X	39	LRL36250CU31X	39
LGL46600U31X	41	LJL36400RU44X	43	LLA36250CU31X	43	LLL36600U33X	39	LRL36250CU33X	39
LGL46600U33X	41	LJL36400RU53X	43	LLA36250CU33X	43	LLL36600U43X	39	LRL36250U31X	39
LGL46600U43X	41	LJL36400RU54X	43	LLA36250U31X	42	LLL36600U44X	39	LRL36250U33X	39
LGL46600U44X	41	LJL36400TU31X	43	LLA36250U33X	42	LLL36600U53X	39	LRL36400CU31X	39
LGL46600U53X	41	LJL36400TU33X	43	LLA36400CU31X	43	LLL36600U54X	39	LRL36400CU33X	39
LGL46600U54X	41	LJL36400TU43X	43	LLA36400CU33X	43	LLL37030D27	20	LRL36400CU43X	39
LGL47070D35	20	LJL36400TU44X	43	LLA36400CU43X	43	LLL37035D29	20	LRL36400CU44X	39
LGL47080D36	20	LJL36400TU53X	43	LLA36400CU44X	43	LLL37040D30	20	LRL36400CU53X	39
LGL47090D86	20	LJL36400TU54X	43	LLA36400CU53X	43	LLL37045D31	20	LRL36400CU54X	39
LGL47100D40	20	LJL36400U31X	39	LLA36400CU54X	43	LLL37050D32	20	LRL36400U31X	39
LGL47120D42	20	LJL36400U33X	39	LLA36400U31X	42	LLL37060D33	20	LRL36400U33X	39
LJA34250WU31X	42	LJL36400U43X	39	LLA36400U31X	42	LLL44250WU31X	41	LRL36400U43X	39
LJA34250WU33X	42	LJL36400U44X	39	LLA36400U43X	42	LLL44250WU33X	41	LRL36400U44X	39
LJA34400WU31X	42	LJL36400U53X	39	LLA36400U44X	42	LLL44400WU31X	41	LRL36400U53X	39
LJA34400WU33X	42	LJL36400U54X	39	LLA36400U53X	42	LLL44400WU33X	41	LRL36400U54X	39
LJA34400WU43X	42	LJL36400C0U33X	39	LLA36600U31X	42	LLL44400WU43X	41	LRL36600U31X	39
LJA34400WU44X	42	LJL36600TU31X	43	LLA36600U33X	42	LLL44400WU44X	41	LRL36600U33X	39
LJA34400WU53X	42	LJL36600TU33X	43	LLA36600U43X	42	LLL44600WU31X	41	LRL36600U43X	39
LJA34400WU54X	42	LJL36600TU43X	43	LLA36600U44X	42	LLL44600WU33X	41	LRL36600U44X	39
LJA34600WU31X	42	LJL36600TU44X	43	LLA36600U53X	42	LLL44600WU33X	41	LRL46000S40X	48
LJA34600WU33X	42	LJL36600TU53X	43	LLA36600U54X	42	LLL44600WU43X	41	LRL46000S60X	48
LJA34600WU43X	42	LJL36600U31X	39	LLF36000F25	44	LLL44600WU44X	41	LRL46250CU31X	41
LJA34600WU44X	42	LJL36600U33X	39	LLF36000F40	44	LLL44600WU53X	41	LRL46250CU33X	41
LJA34600WU44X	42	LJL36600U43X	39	LLF36000F60	44	LLL46000S40X	48	LRL46250U31X	41
LJA34600WU44X	42	LJL36600U44X	39	LLL34250WU31X	40	LLL46000S60X	48	LRL46250U33X	41
LJA34600WU53X	42	LJL36600U53X	39	LLL34250WU33X	40	LLL46250CU31X	41	LRL46400CU31X	41
LJA34600WU53X	42	LJL36600U54X	39	LLL34400WU31X	40	LLL46250CU33X	41	LRL46400CU33X	41
LJA36250CU31X	43	LJL44250WU31X	41	LLL34400WU33X	40	LLL46250U31X	41	LRL46400CU43X	41
LJA36250CU33X	43	LJL44250WU33X	41	LLL34400WU43X	40	LLL46250U33X	41	LRL46400CU44X	41
LJA36250U31X	42	LJL44400WU31X	41	LLL34400WU44X	40	LLL46400CU31X	41	LRL46400CU53X	41
LJA36250U33X	42	LJL44400WU33X	41	LLL34400WU53X	40	LLL46400CU33X	41	LRL46400CU54X	41
LJA36400CU31X	43	LJL44400WU43X	41	LLL34600WU31X	40	LLL46400CU43X	41	LRL46400U31X	41
LJA36400CU33X	43	LJL44400WU44X	41	LLL34600WU33X	40	LLL46400CU44X	41	LRL46400U33X	41
LJA36400CU43X	43	LJL44400WU53X	41	LLL34600WU43X	40	LLL46400CU43X	41	LRL46400U43X	41
LJA36400CU44X	43	LJL44400WU54X	41	LLL34600WU44X	40	LLL46400U31X	41	LRL46400U44X	41
LJA36400CU53X	43	LJL44400WU53X	41	LLL34600WU44X	40	LLL46400U33X	41	LRL46400U53X	41
LJA36400CU54X	43	LJL44400WU54X	41	LLL34600WU53X	40	LLL46400U43X	41	LRL46600U31X	41
LJA36400U31X	42	LJL44600WU31X	41	LLL34600WU54X	40	LLL46400U44X	41	LRL46600U33X	41
LJA36400U33X	42	LJL44600WU33X	41	LLL36000S40X	48	LLL46400U53X	41	LRL46600U43X	41
LJA36400U33X	42	LJL44600WU43X	41	LLL36000S60X	48	LLL46400U54X	41	LRL46600U44X	41
LJA36400U43X	42	LJL44600WU44X	41	LLL36250CU31X	39	LLL46400U53X	41	LRL46600U53X	41
LJA36400U44X	42	LJL44600WU53X	41	LLL36250CU33X	39	LLL46600U31X	41	LRL46600U54X	41
LJA36400U44X	42	LJL44600WU54X	41	LLL36250RU31X	43	LLL46600U33X	41	LRL46600U53X	41
LJA36400U53X	42	LJL46250CU31X	41	LLL36250RU33X	43	LLL46600U43X	41	MICROTUSEAL	134
LJA36400U53X	42	LJL46250CU33X	41	LLL36250TU31X	43	LLL46600U44X	41	MICROTUSEAL	94
LJA36400U54X	42	LJL46250U31X	39	LLL36250TU33X	43	LLL46600U44X	41	PDC12DG4L3	147
LJA36600U31X	42	LJL46250U31X	39	LLL36250U31X	39	LLL47070D35	20	PDC3HD2	147
LJA36600U33X	42	LJL46400CU31X	41	LLL36250U33X	39	LLL47080D36	20	PDC3HD2	149
LJA36600U43X	42	LJL46400CU43X	41	LLL36400CU31X	39	LLL47090D86	20	PDC3JD2	149
LJA36600U44X	42	LJL46400CU44X	41	LLL36400CU43X	39	LLL47100D40	20	PDC3JD20	147
LJA36600U44X	42	LJL46400CU53X	41	LLL36400CU44X	39	LLL47120D42	20	PDC5DG20L3	147
LJA36600U53X	42	LJL46400U31X	41	LLL36400CU53X	39	LRA36000S40X	48	PDC6HD6	147
LJA36600U53X	42	LJL46400U43X	41	LLL36400CU54X	39	LRA36000S60X	48	PDC6HD6	149
LJA36600U54X	42	LJL46400U44X	41	LLL36400RU31X	43	LRA36250CU31X	43	PDC6JD4	147
LJF36000F25	44	LJL46400U53X	41	LLL36400RU33X	43	LRA36250CU33X	43	PDC6JD4	149
LJF36000F40	44	LJL46400U54X	41	LLL36400RU43X	43	LRA36250U31X	42	S29272	143
LJF36000F60	44	LJL46600U31X	41	LLL36400RU44X	43	LRA36250U33X	42	S29273	143
LJL34250WU31X	40	LJL46600U33X	41	LLL36400RU53X	43	LRA36400CU31X	43	S29273	143
LJL34250WU33X	40	LJL46600U43X	41	LLL36400RU54X	43				
LJL34400WU31X	40	LJL46600U44X	41						
LJL34400WU33X	40	LJL46600U53X	41						
LJL34400WU43X	40	LJL46600U54X	41						
LJL34400WU44X	40	LJL46600U31X	41						
LJL34400WU53X	40	LJL46600U33X	41						
LJL34400WU54X	40	LJL46600U43X	41						
LJL34600WU31X	40	LJL46600U44X	41						
LJL34600WU33X	40	LJL46600U53X	41						
LJL34600WU43X	40	LJL46600U54X	41						

PowerPact H-, J-, and L-Frame Circuit Breakers

Catalog Numbers

S29273	143	S32558	134	S434202	108
S29274	143	S32560	135	S434202BS	109
S29274	143	S32562	143	S434204	108
S29275	143	S32562	143	S434204BS	109
S29275	143	S32562	144	S434205	109
S29278	143	S32563	143	S434206	110
S29278	143	S32563	143	S434210	109
S29282	143	S32563	144	S434212	113
S29283	143	S32648	124	S434300	114
S29284	135	S32649	124	S434301	114
S29284	143	S36967	144	S434302	114
S29284	143	S36967	146	S434303	108
S29286	143	S37420	124	S434303BS	109
S29286	143	S37420	124	S434500	114
S29287	143	S37423	145	S434501	114
S29287	143	S37423	145	S434502	114
S29287	143	S37424	145	S434503	114
S29313	135	S37424	145	S434504	114
S29315	134	S37425	146	S434505	114
S29317	134	S37426	146	S434506	114
S29319	135	S37427	146	S434507	114
S29375	134	S37428	146	S434508	114
S29382	122	S37429	145	SN100FA	137
S29383	122	S37430	145	SN100FA	137
S29384	122	S37432	144	SN400LA	137
S29385	122	S37433	144	SN400LA	137
S29386	122	S37434	144	SN400LA	137
S29387	122	S37436	143	SN400LA	137
S29388	122	S37436	144	STRV00211	110
S29389	122	S37437	144	STRV00910	111
S29390	122	S37438	144	STRV00911	111
S29391	122	S37439	144	TCSWAAC13FB	111
S29392	122	S37440	143	TRV00803	112
S29393	122	S37440	144	TRV00806	112
S29394	122	S37442	143	TRV00810	112
S29402	122	S37443	143	TRV00820	112
S29403	122	S37444	146	TRV00830	112
S29404	122	S37445	146	TRV00850	112
S29405	122	S37446	149	TRV00870	112
S29406	122	S37447	149	TRV00880	112
S29407	122	S37448	149	TRV00915	111
S29408	122	S37449	149	TRV00917	111
S29409	122	S37450	149	VW3A8306DRC	112
S29410	122	S41940	124	YA060HD	148
S29411	122	S41940	124	YA060HD	149
S29412	122	S41940	124	YA150HD	148
S29413	122	S42888	124	YA150HD	149
S29414	122	S42888	124	YA150JD	148
S29433	124	S42888	124	YA150JD	149
S29434	124	S429424	121	YA250J35	148
S29435	124	S429441	124	YA400L31K3	148
S29436	124	S429449	124	YA400L51K3	148
S29437	124	S429449	124	YA400L51K4	148
S29438	124	S429478	94	YA400L71K3	148
S29439	124	S429481	94	YA400L71K4	148
S29440	124	S429483	94	YA600L32K3	148
S29450	119	S429484	94	YA600L32K4	148
S29450	119	S429521	113	YA600L52K3	148
S29452	119	S429532	121	YA600L52K4	148
S29452	119	S430562	113		
S31540	124	S430563	113		
S31541	124	S431549	124		
S31542	124	S432459	94		
S31543	124	S432461	94		
S31544	124	S432475	144		
S31545	124	S432476	144		
S31546	124	S432553	135		
S31548	124	S432575	113		
S32477	144	S432639	124		
S32478	144	S432640	124		
S32514	143	S432641	124		
S32514	143	S432642	124		
S32515	143	S432643	124		
S32515	143	S432644	124		
S32523	143	S432645	124		
S32525	143	S432646	124		
S32532	143	S432647	124		
S32533	143	S432652	124		
S32534	135	S434201	108		
S32534	143	S434201BS	109		

Glossary

accessory = An electrical or mechanical device that performs a secondary or minor function apart from overcurrent protection.

accessory cover = A removable cover on the front of a circuit breaker behind which are mounted the trip unit and all electrical accessories.

adjustable rating plug = A component which plugs into the trip unit, establishing the ampere rating of the circuit breaker

AIC = Amperes interrupting capacity.

AIR = See *amperes interrupting rating*.

alarm switch (bell alarm) = See *overcurrent trip switch*.

ambient temperature rating = Temperature at which the continuous current rating (handle rating) of a circuit breaker is based; the temperature of the air immediately surrounding the circuit breaker which can affect the thermal (overload) tripping characteristics of thermal-magnetic circuit breakers. Electronic trip circuit breakers, however, are insensitive to normal (-10° to 50°C) ambient conditions.

ammeter (local current meter) = A module that mounts directly to the circuit breaker trip unit and reports RMS phase and ground-fault current values as seen by the trip unit. Current values are displayed one phase at a time.

ampacity = The current, in amperes, that a conductor or circuit breaker can carry continuously under the conditions of use without exceeding its temperature rating.

ampere = The equivalent of one coulomb per second or the steady current produced by one volt applied across a resistance of one ohm.

amperes interrupting rating = The highest current at rated voltage that an overcurrent protective device is intended to interrupt under specified test conditions (NEC).

ANCE (National Association of Standardization and Certification for the Electrical Sector) = The standards and certification agency accredited by the Mexican government.

ANSI® = American National Standards Institute.

automatic molded case switch = A switch with construction similar to a molded case circuit breaker except that the switch opens only instantaneously at a non-adjustable trip point calibrated to protect only the molded case switch itself.

auxiliary switch = A switch mechanically operated by the main device for signaling, interlocking, or other purposes.

bell alarm = A mechanically-operated switch used to indicate the main contact position of a circuit breaker, which indicates when a circuit breaker has tripped. Also see *overcurrent trip switch*.

BPFE = See *electrical closing push button*.

branch circuit = The circuit between the final overcurrent device protecting the circuit and the outlet(s).

BCM = See *circuit breaker communications module*.

Canadian Standards Association® (CSA®) = Canadian product safety testing and certification organization.

carriage = See *cradle*.

CCM = See *cradle communication module*.

CD = See *cell switch*.

CDM = See *mechanical operation counter*.

CE = See *cell switch*.

PowerPact H-, J-, and L-Frame Circuit Breakers Glossary

cell switch = A switch which indicates the position of a drawout circuit breaker in relation to the cradle.

- **CD** = Disconnected position cell switch.
- **CE** = Connected position cell switch.
- **CT** = Test position cell switch.

CH = A spring-charged contact inside of the spring charging motor on insulated-case and low-voltage power circuit breakers.

charging handle = See *spring charging handle*.

circuit breaker = A device designed to open and close a circuit by non-automatic means and to open the circuit automatically on an overcurrent without damage to itself when properly applied within its rating.

circuit breaker communications module (BCM) = A module which, when installed in a circuit breaker, receives and transmits information on the communication network.

circuit breaker frame = (1) The circuit breaker housing which contains the current carrying components, the current sensing components, and the tripping and operating mechanism. (2) That portion of an interchangeable trip molded case circuit breaker remaining when the interchangeable trip unit is removed.

close button = A button for manually closing the main contacts after the closing springs are charged.

close button cover = A cover which fits over the close button and blocks access to it. Access to the close button may be permitted through the use of a tool or rod inserted through a small hole in the front of the close button cover.

closing coil (shunt close) = A coil which closes the circuit breaker electrically using an external voltage source when a specified voltage is applied across the coil.

coil clearing switch = A mechanically-operated switch in series with the coil of a shunt trip device which breaks the coil current when the circuit breaker opens.

communication network = A network allowing the flow of information between electrical components, comprised of programmable controller interface units, protocol software and modems.

conductor = A substance or body that allows a current of electricity to pass continuously along it.

continuous current rating (handle rating) (ampere rating) = The designated RMS alternating or direct current in amperes which a device or assembly will carry continuously in free air without tripping or exceeding temperature limits.

continuous load = A load where the maximum current on the circuit is expected to continue.

cradle communications module (CCM) = An external module which allows addressing of the cradle and retention of the address when the drawout circuit breaker is in the disconnected position and which is used to transmit information about the position of the circuit breaker in the cradle to the communication network.

cradle compartment = A compartment containing all connectors, shields, adapters, barriers, spreaders, shutters, keys and interlocking devices for a drawout circuit breaker.

CSA® = See *Canadian Standards Association*.

CT = Current transformer. See also *cell switch*.

current path (of a circuit breaker) = The current-carrying conductors within a circuit breaker between, and including, line and load terminations.

current transformer (current sensor) (CT) = An instrument to measure current, encircling a conductor carrying the current to be measured or controlled.

demand metering = The metering of power or current demand seen by a circuit breaker. It is calculated over a fixed or sliding time window that can be programmed from five to 60 minutes. Depending on the contract signed with the power supplier, specific programming makes it possible to avoid or minimize the cost of overrunning the subscribed power. Maximum demand values are systematically stored and time stamped.

disconnecting contacts = See *main disconnecting contacts* and *secondary disconnecting contacts*.

PowerPact H-, J-, and L-Frame Circuit Breakers

Glossary

drawout circuit breaker = An assembly of a circuit breaker and a supporting structure (cradle) so constructed that the circuit breaker is supported and can be moved to either the main circuit connected or disconnected position without removing connections or mounting supports.

drawout mechanism = A mechanism which engages the drawout cradle assembly and draws the circuit breaker into or out of the equipment. The drawout mechanism includes the drawout mechanism shaft, drawout levering device arms and a drawout position indicator.

drawout position indicator = An indicating means which shows the position of the circuit breaker in the drawout structure.

drawout access cover (drawout shaft cover) = A shutter which allows or restricts access to the drawout shaft.

electrical closing push button (BPFE) = A push button used to electrically close a circuit breaker using a shunt close with communication option. This takes into account all safety functions that are part of the control and monitoring system of the installation.

electrical operator (motor operator) = An electrical device used to open and close a circuit breaker or switch and reset a circuit breaker. See also *spring charging motor*.

electronic trip circuit breaker = A circuit breaker which uses current sensors and electronic circuitry to sense, measure and respond to current levels.

fixed-mounted circuit breaker = A circuit breaker so mounted that it cannot be removed without removing primary and sometimes secondary connections and/or mounting supports.

frame size = The largest ampere rating available in a group of circuit breakers of similar physical configuration.

frequency = The number of cycles per second for an alternating current system.

frequency rating = The range of frequencies within which a product can be applied.

ground fault = An unintentional current path, through ground, back to the source.

ground-fault delay = The length of time the circuit breaker trip unit will delay before initiating a trip signal to the circuit breaker after a ground fault has been detected.

ground-fault module = An electronic accessory used in combination with thermal-magnetic circuit breakers to provide branch circuit ground-fault protection and ground-fault indication.

ground-fault pickup = The level of ground-fault current at which the trip system begins timing.

handle rating = Continuous current rating.

IDMTL = Long-time delay curve which can be varied in slope to enhance selectivity.

IEC® = International Electrotechnical Commission.

IEEE® = Institute of Electrical and Electronics Engineers.

I_g = See *ground-fault pickup*.

I_i = See *instantaneous pickup*.

I_n = See *sensor rating*.

individually-mounted circuit breaker = A circuit breaker so mounted that it cannot be removed without removing primary and sometimes secondary connections and/or mounting supports.

instantaneous pickup = The current level at which the circuit breaker will trip with no intentional time delay.

instantaneous trip = A qualifying term indicating that no delay is purposely introduced in the tripping action of the circuit breaker during short-circuit conditions.

insulated case circuit breaker (ICCB) = UL Standard 489 Listed non-fused molded case circuit breakers which utilize a two-step stored energy closing mechanism, electronic trip system and drawout construction.

integral ground-fault protection for equipment = Equipment ground-fault protection on grounded neutral systems provided by components internal to the circuit breaker.

interchangeable trip unit = A trip unit which can be interchanged by a user among circuit breaker frames of the same design.

interrupting rating = The highest current at rated voltage available at the incoming terminals of the circuit breaker. When the circuit breaker can be used at more than one voltage, the interrupting rating will be shown on the circuit breaker for each voltage level. The interrupting rating of a circuit breaker must be equal to or greater than the available short-circuit current at the point at which the circuit breaker is applied to the system.

inverse time = A qualifying term indicating there is purposely introduced a delay in the tripping action of the circuit breaker, which delay decreases as the magnitude of the current increases.

I_r = See *long-time pickup*.

I_{sd} = See *short-time pickup*.

I^2t = See *let-through current*.

$I^2 t$ IN ($I^2 t$ ON) = An inverse time delay characteristic.

$I^2 t$ OUT ($I^2 t$ OFF) = A constant time delay characteristic.

latch check switch = A mechanically-operated switch which senses if the trip latch is reset.

let-through current = The peak current (measured in amperes) which passes through an overcurrent protective device during an interruption.

let-through I^2t = An expression related to energy (measured in ampere-squared seconds) which passes through an overcurrent protective device during an interruption.

LI = A combination of adjustable trip functions including long-time ampere rating, long-time delay, and instantaneous pickup.

lifting adapter = A device used with a crane, chain block or an optional lifting mechanism supplied with switchgear for removing and installing a drawout circuit breaker or fuse truck.

LIG = A combination of adjustable trip functions including long-time ampere rating, long-time delay, instantaneous pickup, ground-fault pickup and ground-fault delay.

limit switch = A switch mechanically operated by a device.

local current meter = An ammeter installed as part of the trip unit.

long-time ampere rating = An adjustment which, in combination with the installed rating plug, establishes the continuous current rating of a full-function electronic trip circuit breaker.

long-time delay = The length of time the circuit breaker will carry a sustained overcurrent (greater than the long-time pickup) before initiating a trip signal.

long-time pickup = The current level at which the circuit breaker long-time delay function begins timing.

low voltage power circuit breaker (LVPCB) = A circuit breaker tested to the ANSI C37 Standards with a two-step stored-energy mechanism, an electronic trip system, and drawout construction.

LS = A combination of adjustable trip functions including long-time ampere rating, long-time delay, short-time pickup, short-time delay and a defeatable instantaneous pickup.

LSG = A combination of adjustable trip functions including long-time ampere rating, long-time delay, short-time pickup, short-time delay, defeatable instantaneous pickup, ground-fault pickup and ground-fault delay.

LSI = A combination of adjustable trip functions including long-time ampere rating, long-time delay, short-time pickup, short-time delay and defeatable instantaneous pickup.

LSIG = A combination of adjustable trip functions including long-time ampere rating, long-time delay, short-time pickup, short-time delay, defeatable instantaneous pickup, ground-fault pickup and ground-fault delay.

PowerPact H-, J-, and L-Frame Circuit Breakers Glossary

main disconnecting contacts = Spring-loaded and self-aligning contact on the rear of a drawout circuit breaker that provide positive electrical contact when the circuit breaker is in the connected position.

Masterpact™ = The family of universal power circuit breakers including insulated case circuit breakers and low-voltage power circuit breakers.

MCH = See *spring-charging motor*.

MDGF = Modified differential ground-fault system.

manual charging handle = A manually-operated handle which charges the circuit breaker closing springs.

mechanical operation counter (CDM) = A mechanical device which indicates the total number of circuit breaker operating cycles.

Micrologic™ = The family of electronic trip systems available on molded case circuit breakers, insulated case circuit breakers and low-voltage power circuit breakers.

miniature circuit breaker (MCB) = A small circuit breaker which is assembled as an integral unit in a supportive and enclosed housing of insulating material, rated 150 A or less and used in 120 V, 120/240 V, 240 V and 480Y/277 V ac systems and dc systems up to 125 Vdc.

MN = See *undervoltage release*.

Modbus™ communication network = A communication network comprised of programmable controller interface units, protocol software and modems.

molded case circuit breaker (MCCB) = A circuit breaker which is assembled as an integral unit in a supportive and enclosed housing of insulating material, generally 20 to 3000 A in size and used in systems up to 600 Vac and 500 Vdc.

motor circuit protector = A recognized component of construction similar to a circuit breaker except with no thermal elements so that it provides short-circuit protection only.

MX = See *shunt trip*.

National Association of Standardization and Certification for the Electrical Sector = See *ANCE*.

neutral current transformer = A current transformer which encircles the neutral conductor; required on circuit breakers with ground-fault protection, when applied on a grounded system.

NMX® (Norma Mexicana X) = Listing mark indicating certification to non-mandatory Mexican safety standards.

NOM = Listing mark indicating certification to mandatory Mexican safety standards

OF = See *auxiliary switch*.

open/closed indicator = An indicating means which displays the position (open or closed) of the main contacts.

operating mechanism = An internal mechanical system which opens and closes the circuit breaker contacts.

OTS = Overcurrent trip switch (alarm switch, bell alarm). A mechanical switch that operates when the circuit breaker is tripped by the trip system.

overcurrent = Any current in excess of the rated continuous current of equipment or the ampacity of a conductor.

overcurrent mechanism = An internal mechanical system which trips the circuit breaker during an overcurrent.

overcurrent trip element = A device which detects an overcurrent and transmits the energy necessary to open the circuit automatically (UL only).

overcurrent trip switch (SDE) = A mechanically-operated switch which indicates when a circuit breaker has tripped due to overcurrent conditions.

overload delay = The length of time the circuit breaker will carry a sustained low-level overcurrent before initiating a trip signal.

peak current sensing = A method of determining the current by means of detecting the current peaks.

peak let-through current = The maximum peak current flowing in a circuit during an overcurrent condition.

PF = A switch used to indicate a circuit breaker is ready to close.

phase barrier = A barrier which provides phase-to-phase or phase-to-ground isolation.

PowerLogic™ = The family of electronic circuit monitoring systems available on molded case circuit breakers, insulated case circuit breakers and low-voltage power circuit breakers.

Power-Zone™ = The family of low-voltage and medium-voltage switchgear.

programmable contact module (M6C and M2C) = A programmable module which indicates the type of fault and the instantaneous and delayed threshold overruns. It may be programmed with instantaneous return to the initial state, without return to the initial state, or with return to the initial state following a delay.

primary disconnect contacts = An electrical plug-on connector in the main current path between the drawout components and the cradle mounted in the equipment.

push-to-close button = A button for manually closing the main contacts after the closing springs are charged.

push-to-open button = A button for manually opening the circuit breaker.

push-to-trip button = A button for manually tripping the circuit breaker.

racking device shutter = See *drawout shaft cover*.

racking interlock = An interlock to prevent racking of a drawout circuit breaker when the enclosure door is open by not allowing the racking crank to be inserted into the circuit breaker.

rating plug = A component which plugs into the full-function electronic trip unit, establishing the maximum continuous current rating of the circuit breaker.

remote reset after fault (RES) = A component which resets the overcurrent trip switch (SDE) and the mechanical operator after tripping.

RES = See *remote reset after fault*.

residual ground-fault sensing = A means of providing equipment ground-fault protection utilizing sensors on each individual phase.

restraint interface module (RIM) = A component which allows zone-selective interlocking communication between Square D™ full-function electronic trip systems, add-on ground-fault modules and zero-sequence ground-fault relays.

RIM = Restraint interface module.

RMS = Root-mean-square.

RMS current sensing = A method of determining the true RMS current of sinusoidal and non-sinusoidal waveforms by sampling the current waveform a number of times per cycle, then calculating the true RMS value.

safety shutter = A device that closes to block access to the main disconnects when the circuit breaker is in the disconnected, test or withdrawn position.

SDE = See *overcurrent trip switch*.

secondary disconnect contacts = An electrical plug-on connector in the secondary (control) circuit between a drawout circuit breaker and its cradle in the equipment.

sensor = The current sensing element within the circuit breaker which provides the sensing function for that circuit breaker.

sensor plug = A component used with a Micrologic trip system to set the sensor size of a circuit breaker.

PowerPact H-, J-, and L-Frame Circuit Breakers

Glossary

sensor size = Maximum ampere rating possible for a specific circuit breaker, based on the size of the current sensor inside the circuit breaker. Sensor size is less than or equal to frame size.

SGR = Source ground return system.

short-circuit delay (STD) = The length of time the circuit breaker will carry a short circuit (current greater than the short-circuit pickup) before initiating a trip signal.

short-circuit pickup = The current level at which the circuit breaker short-circuit delay function begins timing.

short-time delay = The length of time the circuit breaker will carry a short circuit (current greater than the short-time pickup) before initiating a trip signal.

short-time pickup = The current level at which the circuit breaker short-time delay function begins timing.

shunt close (closing coil) (XF) = An accessory which closes the circuit breaker from a remote location using an external voltage source.

shunt trip (MX) = An accessory which trips the circuit breaker from a remote location using an external voltage source.

spring-charging handle = A handle located on the front of the circuit breaker used to manually charge the stored energy mechanism.

spring charging motor = A motor which electrically charges the stored energy closing spring(s).

STD = Short-time delay.

stored energy mechanism (SEM) = A spring mechanism that is compressed or “charged” and then released or “discharged” to close the circuit breaker.

terminal block = The connections for control wiring.

tg = See *ground-fault delay*.

thermal imaging = A trip unit function that accurately maps the heating and cooling effects of load behavior on rated conductors to provide thermal protection without nuisance tripping.

thermal-magnetic circuit breaker = A general purpose term for circuit breakers that use bimetals and electromagnetic assemblies to provide both thermal and magnetic overcurrent protection.

thermal memory = Provides continuous temperature rise status of the wiring for a period of time both before and after the device trips. This allows the circuit breaker to respond to a series of overload conditions which would otherwise go undetected.

t_r = See *long-time delay*.

t_{sd} = See *short-time delay*.

two-step stored energy mechanism = See *stored energy mechanism*.

transformer = A static device with primary winding, connected in series with the conductor (bus) carrying the current to be measured or controlled within the switchgear.

trip button = See *push-to-trip button*.

trip curve = A graphical representation of the response of a circuit breaker to current over a period of time.

trip indicator = A module that mounts directly to the circuit breaker trip unit that displays whether the circuit breaker tripped due to an overload, a short-circuit or a ground-fault condition.

trip indicator reset = A button on the trip indicator module used to reset the trip indicator.

trip system = A system which consists of a Micrologic trip unit and current transformers.

trip unit = A programmable device which measures and times current flowing through the circuit breaker and initiates a trip signal when appropriate.

UL® = See *Underwriters Laboratories Inc.*

PowerPact H-, J-, and L-Frame Circuit Breakers Glossary

undervoltage trip (MN, UVR) = An accessory which trips the circuit breaker automatically when the monitored circuit voltage falls below a predetermined percentage of its specified value.

Underwriters Laboratories Inc.® (UL®) = An independent, not-for-profit standards development, product safety testing and certification organization.

unit-mount circuit breaker = A circuit breaker mounted such that it cannot be removed without removing primary and sometimes secondary connections or mounting supports.

withstand rating = The level of RMS symmetrical current that a circuit breaker can carry with the contacts in a closed position for a stated period of time—usually stated in cycles.

zero-blind time = Metering method used by the Micrologic H trip unit where a dedicated metering data chain is separate from the protection data chain so that a greater number of data samples can be used for metering. This increases the number of samples taken per time period, which in turn gives the H trip unit a higher degree of metering accuracy.

zero-sequence ground-fault sensing = A means of providing equipment ground-fault protection utilizing an external sensor (surrounding all phase and neutral conductors).

zone-selective interlocking (ZSI) = A communication capability between electronic trip systems and ground-fault relays which permits a short circuit or ground fault to be isolated and cleared by the nearest upstream device with no intentional time delay.

ZSI = Zone-selective interlocking.

Schneider Electric USA, Inc.
800 Federal Street
Andover, MA 01810 USA
888-778-2733
www.schneider-electric.us

Schneider Electric Canada, Inc.
5985 McLaughlin Road
Mississauga, ON L5R 1B8 Canada
800-565-6699
www.schneider-electric.ca

Schneider Electric, Square D, PowerPact and Micrologic are trademarks owned by Schneider Electric Industries SAS or its affiliated companies. All other trademarks are the property of their respective owners.

Schneider Electric, Square D, PowerPact et Micrologic sont des marques commerciales de Schneider Electric Industries SAS ou de ses compagnies affiliées. Toutes les autres marques commerciales utilisées dans ce document sont la propriété de leurs propriétaires respectifs.

0611CT1001 R02/15 Replaces / Remplace 0611CT1001 R12/15
© 2011–2016 Schneider Electric All Rights Reserved / Tous droits réservés