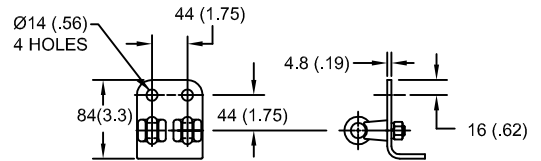
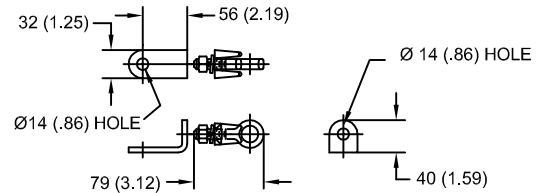


LINE TERMINAL DETAIL

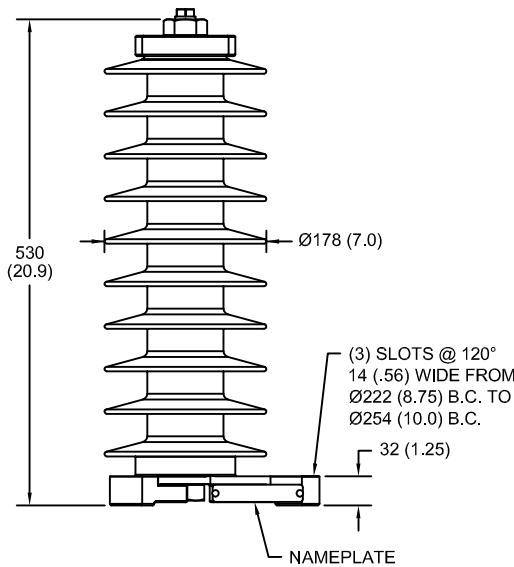


HDG 4-HOLE TERMINAL PAD, PART No. 274914-4002
 TWO HDG TERMINALS, PART No. 271414-3001
 SUITABLE FOR Cu OR Al CONDUCTOR SIZE
 Ø 7 (.25) - Ø 21 (.81) DIA
 25 - 240 sq mm
 AWG#4 - 500 MCM

GROUND TERMINAL DETAIL



HDG TERMINAL BRACKET, PART No. 89606-4001
 ONE HDG TERMINAL, PART No. 271414-3001
 SUITABLE FOR Cu OR Al CONDUCTOR SIZE
 Ø 7 (.25) - Ø 21 (.81) DIA
 25 - 240 sq mm
 AWG#4 - 500 MCM



CHARACTERISTICS

RATED VOLTAGE	36 kVrms
MCOV	29 kVrms
MASS	12.1 kg (26.6 lb)
COG ABOVE BASE	267 (10.5)
CREEPAGE DISTANCE	1294 (50.9)
STRIKE DISTANCE	455 (17.9)
LIGHTNING IMP W/S	261 kVpk
SWITCHING IMP WET W/S	219 kVpk
POWER FREQ WET W/S	125 kVrms
TOV 1s NO PRIOR DUTY	41.4 kVrms
TOV 10s NO PRIOR DUTY	39.6 kVrms
TOV 1s W/PRIOR DUTY	40.0 kVrms
TOV 10s W/PRIOR DUTY	38.4 kVrms

CANTILEVER FORCE

MAXIMUM CONTINUOUS	1843 N (414 lbs)
ULTIMATE (max pk)	3687 N (829 lbs)

RECOMMENDED CLEARANCE (CENTER - CENTER)

PHASE TO GROUND	262 (10.3)
PHASE TO PHASE	391 (15.4)

- NOTES:
 1. DIMENSIONS IN millimeters(inches) SUBJECT TO ±3% TOLERANCE
 2. CLEARANCE AND INSULATION W/S VOLTAGE APPLY AT SEA LEVEL
 3. ARRESTER SUITABLE FOR OPERATION AT ALTITUDES UP TO 1800 m (6000 ft)
 4. PACKAGED IN A CORRUGATED BOX.

.5µSEC 10kA IR kV	SWITCHING SURGE IR kV		MAXIMUM 8/20 DISCHARGE VOLTAGE - kV AT					
	500 A	1 KA	1.5 kA	3.0 kA	5 kA	10 kA	20 kA	40 kA
97.0	68.6	71.5	73.2	76.9	80.7	86.5	93.6	107

ANSI STATION CLASS SURGE ARRESTER Program Revision 2011.06.7.12.40.56 REV DATE 05/03/11	CONFIDENTIAL: THIS DRAWING AND ITS CONTENTS ARE CONFIDENTIAL AND THE EXCLUSIVE PROPERTY OF HUBBELL POWER SYSTEMS. NO PUBLICATION, DISTRIBUTION OR COPIES MAY BE MADE WITHOUT THE WRITTEN CONSENT OF HUBBELL POWER SYSTEMS. HUBBELL POWER SYSTEMS UNPUBLISHED ALL RIGHTS RESERVED UNDER THE COPYRIGHT LAWS.	TITLE EVP ARRESTER 29 KV MCOV			
		SIZE S	DWG NO. 112261297	CAT / PART / ASSY NO. EVP002900-3001	REV 0
DO NOT SCALE THIS DRAWING		DRN BY NON	DATE 05/03/11	SHEET 1 OF 1	