

**Fire-Rated Poke-Throughs**  
**SystemOne Recessed**  
**6-Inch Diameter Core Hole**



**Features**

- One 3/4" EMT for Power, One 2" EMT for Low Voltage
- S1R6CVRALU, Brushed Aluminum Cover Included
- S1R6SPD, S1R6SPE, S1R6SPH, Sub-Plates Included
- Junction Box Included

**Ordering Information**

- Fire-Rated Poke-Through Fitting, Sub-Plates and Cover
- Cover and Sub-Plates Installed Onsite

| Catalog Number | UPC Number   | Cover Series | Core Hole Diameter |
|----------------|--------------|--------------|--------------------|
| S1R6PTDEHALU   | 783585443225 | S1R6CVR      | 6-Inch             |

| Minimum Deck Thickness | Connection Type |
|------------------------|-----------------|
| 2.25" Over Metal Deck  | Recessed        |

**Standards**

cULus & ULC Listed  
 UL scrub water compliant  
 ADA Compliant

**Specifications**

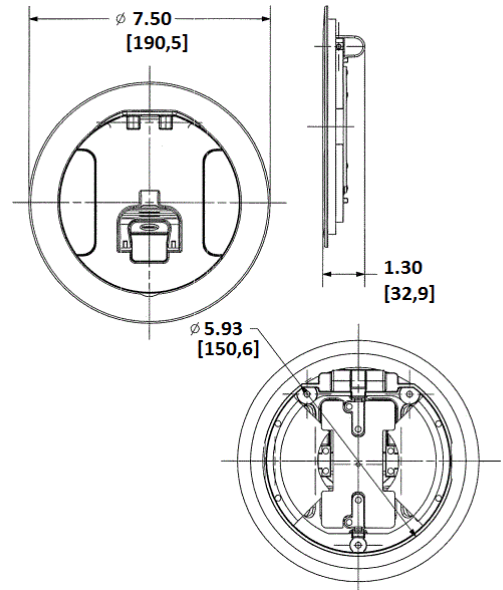
|                       |   |
|-----------------------|---|
| Cover load rating     | 1000 lbs. static load through 3" diameter mandral |
| Access cover material | Die cast aluminum                                 |
| Fire Rating           | 1 - 2 Hour Fire Rating                            |

**Accessories**

6" Pre-Pour Tube, removed need for core hold drilling **S1R6PPT**

**Online Resources**

Customer Use Drawing  
 eCatalog  
 Installation Instructions



Dimensions in Inches (mm)

Hubbell Wiring Device-Kellems • Hubbell Incorporated (Delaware) • 40 Waterview Drive • Shelton, CT 06484

Phone (800) 288-6000 • Fax (800) 255-1031 • Specifications subject to change without notice.

