

Straight Blade Devices
 20A, 125V, 2 Pole, 3 Wire Grounding
 HBL® Extra Heavy Duty Hospital Grade
 Duplex Receptacle

HUBBELL

Features

- Deep body design with impact resistant face
- Patented ground contact provides redundant grounding
- Unique bypass contact design
- Circuit ID marking area

Ordering Information

Description	Device Color	UPC	Catalog Number
Deep body design with circuit ID face. Back and side wired.	Red	783585247533	HBL8300RED

Listings

UL Listed to UL498 File No. E2186
 CSA Certified 22.2, No. 42 File 285
 Fed. Spec. W-C-596
 NEMA® WD-6 Compliant

Specifications

Face	PBT
Base	PBT
By-Pass Power Contacts	.036" (.9) Nickel plated brass
Ground Contacts	Brass
Clamping Plate	Nickel plated brass
Terminal Screws	Plated brass
Mounting Strap	Nickel plated brass
Automatic Self-grounding Clip	Stainless steel
Mounting Screws	Stainless steel

Performance

Electrical

Current Interrupting	Certified for current interrupting at full rated current
Dielectric Voltage	Withstands 2,000V minimum

Mechanical

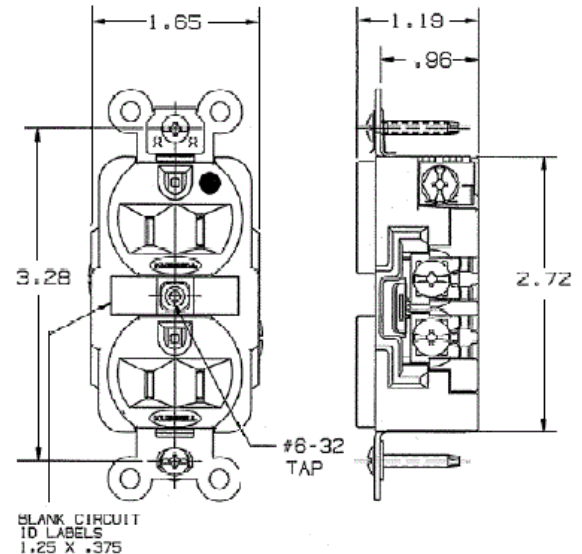
Product Identification	Ratings are a permanent part of the device
Terminal Accommodation	#12-#10 AWG stranded or solid copper wire only
Terminal Identification	Terminals identified in accordance with UL 498 and CSA

Environmental

Flammability	UL 94 V-0
Operating Temperatures	Maximum continuous 75°C; minimum -40°C (w/o impact)



20A 125V
 NEMA 5-20R
 UL CSA
 1 HP



Complementary Products

Wallplate or Weatherproof Cover Duplex Opening

Online Resources

Customer Use Drawing
 eCatalog
 Installation Instructions

Dimensions in Inches (mm)

Hubbell Wiring Device-Kellems • Hubbell Incorporated (Delaware) • 40 Waterview Drive • Shelton, CT 06484

Phone (800) 288-6000 • Fax (800) 255-1031 • Specifications subject to change without notice.

