



Product Datasheet


ANDERSON FARGO

HAST2118N -- Suspension Clamp



Suspension Clamp, Aluminum, for use with T2 conductors 0.398 - 0.502 with fitting: None

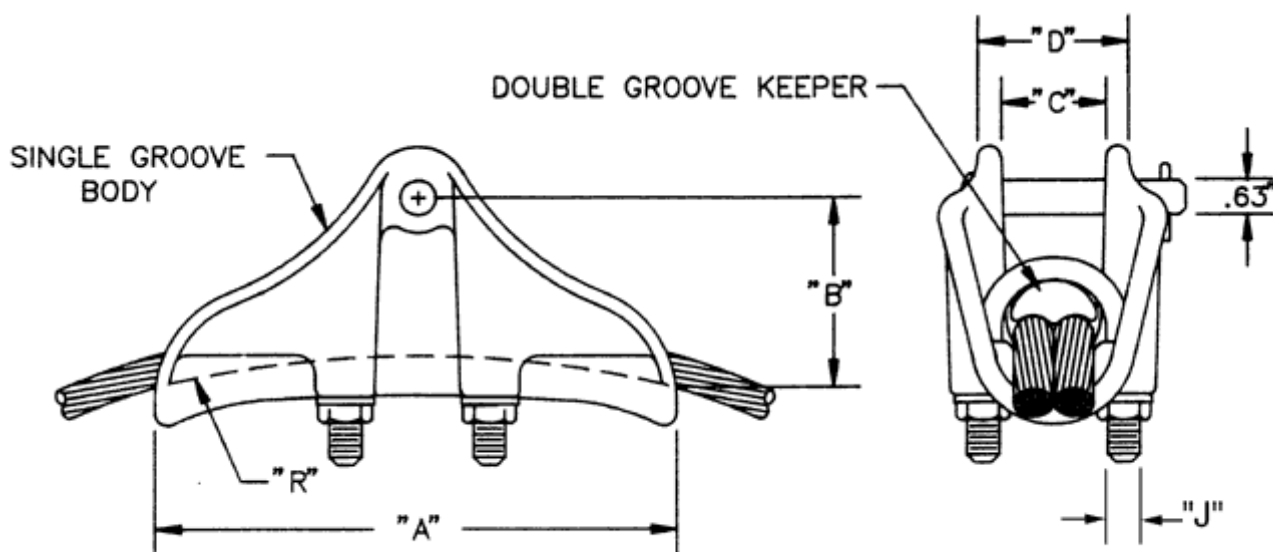
Product Specifications

<p>Series</p>	 <p>HAST2 series Standard Voltage, Aluminum for use on T2 conductor</p>
<p>PDF Catalog Page</p>	<p>Click HERE to view the web page.</p>
<p>Fitting</p>	<p>None</p>
<p>Clamp Material</p>	<p>Aluminum</p>
<p>Fitting Catalog No.</p>	<p>-</p>
<p>Ultimate Body Strength</p>	<p>25,000 lbs (11,340 kgs)</p>
<p>Maximum Take-off Angle 0</p>	<p>22.5</p>
<p>Dimension A</p>	<p>8.00 in (203.2 mm)</p>
<p>Dimension B</p>	<p>2.75 in (69.9 mm)</p>
<p>Dimension C</p>	<p>1.41 in (35.7 mm)</p>
<p>Dimension D</p>	<p>2.41 in (61.1 mm)</p>
<p>Dimension J</p>	<p>0.500 in (12.7 mm)</p>
<p>Hardware Material</p>	<p>Galvanized Steel</p>
<p>Minimum - Maximum Conductor Size</p>	<p>AAC 2/0 str (7) Thru AAC 4 str (7) w/Armor Rods AAAC 2/0 str(7) Thru AAAC 5 str(7) w/Armor Rods ACSR 1/0 (6/1) Thru ACSR 6 (6/1) w/Armor Rods</p>

Clamping Range	0.40 - 0.50 in (10.11 - 12.75 mm)
Voltage Application	Standard
Material Type	Standard
UPC Code	09635931523
Standard Package	1
Standard Package Unit	Each
Min Order Qty	1
Weight / Ea.	2.744 lbs

Compressed Product Number

HAST2118N



[Catalog Home](#)



[Warranty Info](#) | [Trademarks](#) | [Terms of Use](#)

All contents Copyright © 2007 Hubbell Power Systems, Inc. All rights reserved.

NOTE: Because Hubbell has a policy of continuous product improvement, we reserve the right to change design and specifications without notice.