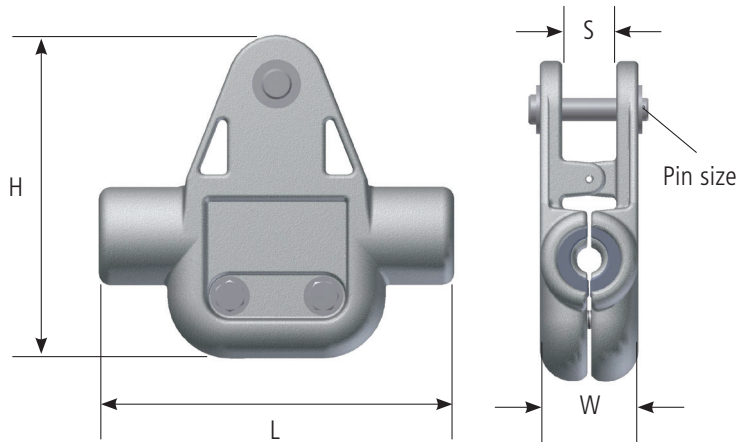
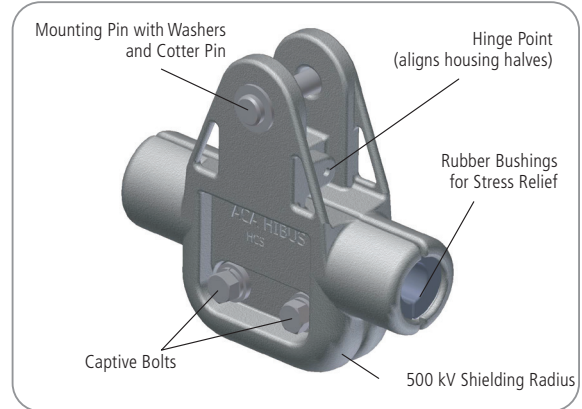


HiTemp® HIBUS® Suspension for ACCC Conductors Rated for 250°C



Suspension Components



Ordering Information

HCSHT	1073	LL	BNC
HCSHT = HIBUS Series Conductor Suspension for high temperature applications	Conductor Range Code	Blank = no Live-line Attachment Point LL = include Live-line Attachment Point	Blank = Clevis Pin and Cotter Pin Attachment BNC = Bolt, Nut, Cotter Pin Attachment

Ordering Example: HCSHT1073LL

HIBUS Series Conductor Suspension, 1.073-1.115 range, rated for 250°C high temperature application and including a Live-line Attachment Point.

Notes

- Limited availability for BNC. Contact AFL at 1.800.866.7385
- For specifications on HiTemp HIBUS Suspensions with Helsinki/ACCC, contact AFL at 1.800.866.7385.

AFL NO.		ACCC	DIMENSION (INCHES)				VERTICAL LOAD RATING (LBS)	PIN/BOLT SIZE	EST. WEIGHT (LBS)
STANDARD	HITEMP	SIZE	L	H	W	S			
HCS710	HCSHT710	LINNET (LA JOLLA)	9.5	8.6	2.6	1.4	25000	0.625 x 3.25	7.5
HCS843	HCSHT843	HAWK (HERMOSA)	9.5	8.6	2.6	1.4	25000	0.625 x 3.26	7.5
HCS880	HCSHT880	DOVE (DOHNEY)	9.5	8.6	2.6	1.4	25000	0.625 x 3.27	7.5
HCS981	HCSHT981	GROSBEAK (GOLETA)	9.5	8.8	2.9	1.4	25000	0.625 x 3.28	7.8
HCS1073	HCSHT1073	DRAKE (DEL MAR)	9.5	8.8	2.9	1.4	25000	0.625 x 3.29	7.8
HCS1197	HCSHT1197	CARDINAL (CARLSBAD)	9.5	8.8	2.9	1.4	25000	0.625 x 3.30	7.8
HCS1295	HCSHT1295	BITTERN (BALBOA)	10	9.6	3.3	1.4	25000	0.625 x 3.31	8.1
HCS1402	HCSHT1402	ANTWERP	10	9.6	3.3	1.4	25000	0.625 x 3.32	8.1
HCS1500	HCSHT1500	LAPWING (LAGUNA)	10	9.6	3.3	1.4	25000	0.625 x 3.33	8.1
HCS1708	HCSHT1708	BLUEBIRD (BIG SUR)	10.9	10.4	3.8	1.5	30000	0.750 x 4.00	9.7

ACCC	CONDUCTOR		DIAMETER		CORE DIAMETER		WEIGHT		CORE RATED STRENGTH		COND. RATED STRENGTH	
	SIZE	(KCMIL)	(MM²)	(IN)	(MM)	(IN)	(MM)	(LB/KFT)	(KG/KM)	(LBF)	(KN)	(LBF)
LINNET (LA JOLLA)	430	218.1	0.720	18.29	0.235	5.97	440	655	13,600	60.4	16,300	72.5
HAWK (HERMOSA)	611	309.7	0.858	21.79	0.280	7.11	625	930	19,300	85.7	23,200	103.2
DOVE (DOHNEY)	714	361.5	0.927	23.55	0.305	7.75	728	1083	22,900	101.7	27,500	122.3
GROSBEAK (GOLETA)	821	416.2	0.990	25.15	0.320	8.13	837	1245	25,200	112	30,400	135.2
DRAKE (DEL MAR)	1026	519.7	1.108	28.14	0.375	9.53	1052	1565	34,600	153.8	41,200	183.3
CARDINAL (CARLSBAD)	1222	619.1	1.198	30.43	0.345	8.76	1225	1823	29,300	130.2	37,100	165
BITTERN (BALBOA)	1582	801.4	1.345	34.16	0.345	8.76	1566	2331	29,300	130.2	39,400	175.3
ANTWERP	1865	944.8	1.451	36.86	0.385	9.78	1855	2760	36,400	162.1	48,400	215.2
LAPWING (LAGUNA)	1949	987.5	1.504	38.2	0.385	9.78	1940	2887	36,400	162.1	48,900	217.5
BLUEBIRD (BIG SUR)	2741	1388.7	1.762	44.75	0.415	10.54	2703	4022	42,300	188.3	59,900	266.4

Only a representative selection of conductors and hardware has been shown here. Please contact AFL at 1.800.866.7385 for part numbers on conductors not shown.