

Meter Mains - Without Bypass

100 & 200 Amp



1M1R (closed)



U2M2R (open)

Application

- Single meter position
- Receive ANSI C12.10 watt-hour meters
- Surface or flush mount (see chart)

Construction

- Ring type
- NEMA Type 3R
- ANSI 61 gray E-coat finish
- Aluminum snap ring included



Standards

- UL 414 Listed
- ANSI C12.7
- EUSERC 301

Accessories

- AW Hub

Meter Mains
Without Bypass

Part/UPC Number	Catalog Number	Amp Rating	Jaws	Service Type	Access	Main Breaker		Provisions	
						Voltage	AIC		
78205143000	1M1R	100	4	1Ø/3W	OH	120/240	10K	(1) 100A, 2P	--
78205143020	1M1R7	100	7	3Ø/4W	OH	120/240 & 120/208	10K	(1) 100A, 3P	--
78205143025	1M1RP	100	4	1Ø/3W	OH	120/240	10K	(1) 100A, 2P	(1) 2P
78205158000	2M11R	200	4	1Ø/3W	OH	120/240	10K	(1) 200A, 2P	--
78205157020	2M211R	200	4	1Ø/3W	OH	120/240	10K	(1) 200A, 2P & (2) 100A, 2P	--
78205157010	2M25R	200	4	1Ø/3W	OH	120/240	10K	(1) 200A, 2P & (1) 500A, 2P	--
78205157000	2M2R	200	4	1Ø/3W	OH	120/240	10K	(1) 200A, 2P	--
78205157065	2M2R7	200	7	3Ø/4W	OH	120/240 & 120/208	10K	(1) 200A, 3P	--
78205157005	2M2RP	200	4	1Ø/3W	OH	120/240	10K	(1) 200A, 2P	(1) 2P
78205143060	U1M1R *	100	4	1Ø/3W	UG	120/240	10K	(1) 100A, 2P	--
78205143080	U1M1R7 *	100	7	3Ø/4W	UG	120/240 & 120/208	10K	(1) 100A, 3P	--
78205143090	U1M1RP *	100	4	1Ø/3W	UG	120/240	10K	(1) 100A, 2P	(1) 2P
78205158060	U2M11R *	200	4	1Ø/3W	UG	120/240	10K	(1) 200A, 2P	--
78205157040	U2M211R *	200	4	1Ø/3W	UG	120/240	10K	(1) 200A, 2P & (2) 100A, 2P	--
78205157037	U2M25R *	200	4	1Ø/3W	UG	120/240	10K	(1) 200A, 2P & (1) 500A, 2P	--
78205157030	U2M2R *	200	4	1Ø/3W	UG	120/240	10K	(1) 200A, 2P	--
78205157085	U2M2R7 *	200	7	3Ø/4W	UG	120/240 & 120/208	10K	(1) 200A, 3P	-
78205157035	U2M2RP *	200	4	1Ø/3W	UG	120/240	10K	(1) 200A, 2P	(1) 2P

Part/UPC Number	Catalog Number	Connections			Overall Dimensions			Top Provision	Knockout Layout
		Line	Load	Neutral	Height	Width	Depth		
78205143000	1M1R	#14 - 2/0	MCB	#14 - 2/0	24"	8"	4 ⁵ / ₈ "	AW Hub	Fig. 1
78205143020	1M1R7	#14 - 1/0	MCB	#14 - 2/0	24"	8"	4 ⁵ / ₈ "	AW Hub	Fig. 2
78205143025	1M1RP	#14 - 2/0	MCB	#14 - 2/0	24"	8"	4 ⁵ / ₈ "	AW Hub	Fig. 1
78205158000	2M11R	#6 - 250 MCM	MCB	#6 - 250 MCM	32"	8"	4 ⁵ / ₈ "	AW Hub	Fig. 3
78205157020	2M211R	#6 - 250 MCM	MCB	#6 - 250 MCM	36"	8"	4 ⁵ / ₈ "	AW Hub	Fig. 3
78205157010	2M25R	#6 - 250 MCM	MCB	#6 - 250 MCM	32"	8"	4 ⁵ / ₈ "	AW Hub	Fig. 1
78205157000	2M2R	#6 - 250 MCM	MCB	#6 - 250 MCM	32"	8"	4 ⁵ / ₈ "	AW Hub	Fig. 2
78205157065	2M2R7	#6 - 250 MCM	MCB	#6 - 250 MCM	36"	10"	5"	AW Hub	Fig. 4
78205157005	2M2RP	#6 - 250 MCM	MCB	#6 - 250 MCM	32"	8"	4 ⁵ / ₈ "	AW Hub	Fig. 2
78205143060	U1M1R *	#14 - 2/0	MCB	#14 - 2/0	24"	14"	4 ⁵ / ₈ "	None	Fig. 5
78205143080	U1M1R7 *	#14 - 1/0	MCB	#14 - 2/0	24"	14"	4 ⁵ / ₈ "	None	Fig. 6
78205143090	U1M1RP *	#14 - 2/0	MCB	#14 - 2/0	24"	14"	4 ⁵ / ₈ "	None	Fig. 5
78205158060	U2M11R *	#6 - 250 MCM	MCB	#6 - 250 MCM	25"	14"	6"	None	Fig. 7
78205157040	U2M211R *	#6 - 250 MCM	MCB	#6 - 250 MCM	27"	14"	6"	None	Fig. 7
78205157037	U2M25R *	#6 - 250 MCM	MCB	#6 - 250 MCM	25"	14"	6"	None	Fig. 8
78205157030	U2M2R *	#6 - 250 MCM	MCB	#6 - 250 MCM	25"	14"	6"	None	Fig. 8
78205157085	U2M2R7 *	#6 - 250 MCM	MCB	#6 - 250 MCM	30"	17"	5"	None	Fig. 9
78205157035	U2M2RP *	#6 - 250 MCM	MCB	#6 - 250 MCM	25"	14"	6"	None	Fig. 8

* Only UG versions are EUSERC 301 compliant.

MCB - Main Circuit Breaker

Data subject to change without notice. Consult local utility for area acceptance. All dimensions are in inches.

Meter Mains - Without Bypass

100 & 200 Amp

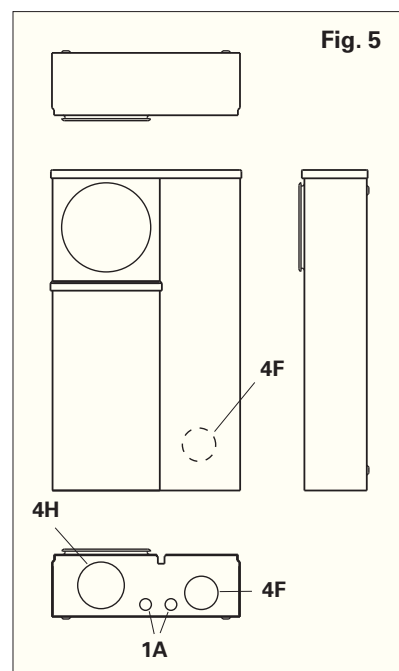
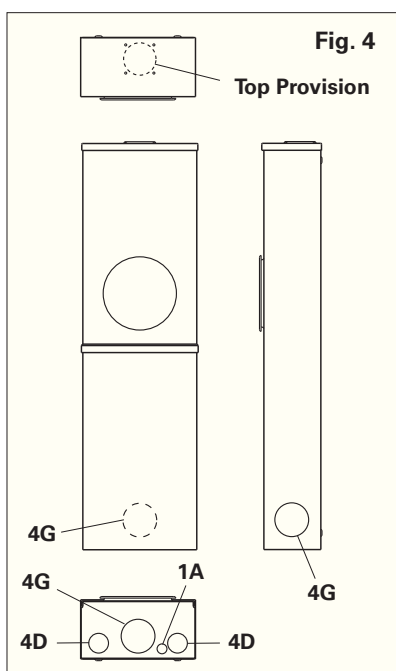
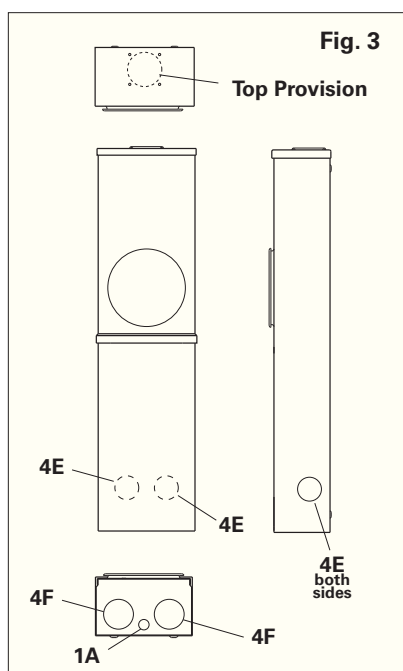
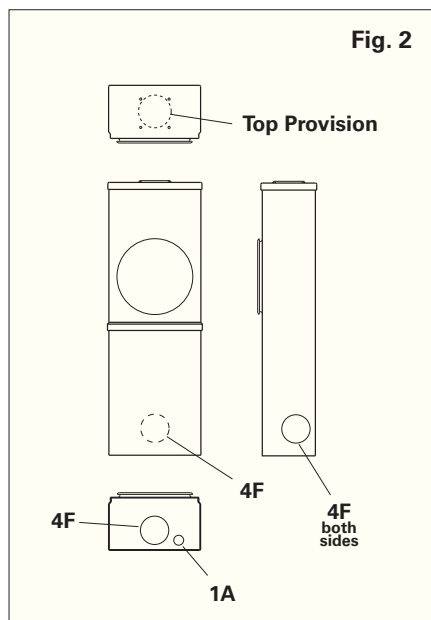
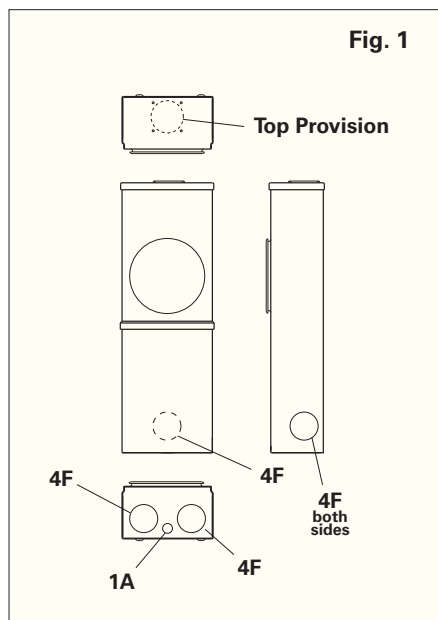
Style #	Suffixes
(U) 1M1R	F - Flush Mount
1M11R	MS20 - Ring Protector
1M211R	MS43 - No Breaker Included
(U) 2M2R	SS - Stainless Steel

Knockouts - Conduit Sizes

1A = 1/2"
4D = 1 1/4" - 1" - 3/4" - 1/2"
4E = 1 1/2" - 1 1/4" - 1" - 3/4"
4F = 2" - 1 1/2" - 1 1/4" - 1"
4G = 2 1/2" - 2" - 1 1/2" - 1 1/4"
4H = 3" - 2 1/2" - 2" - 1 1/2"
Top Provision = See Chart

Meter Mains
Without Bypass

Knockout Layouts



Data subject to change without notice. Consult local utility for area acceptance. All dimensions are in inches.

Meter Mains - Without Bypass

100 & 200 Amp

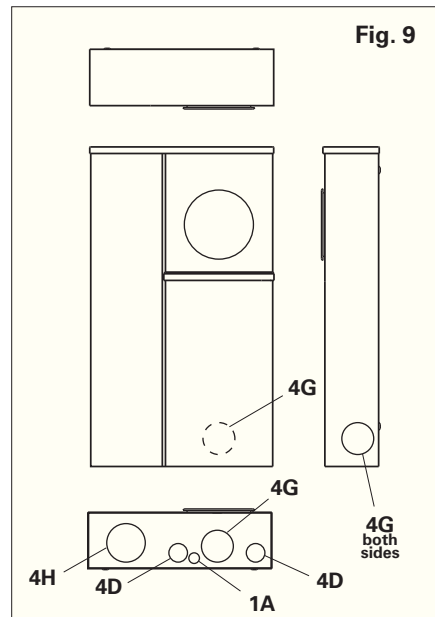
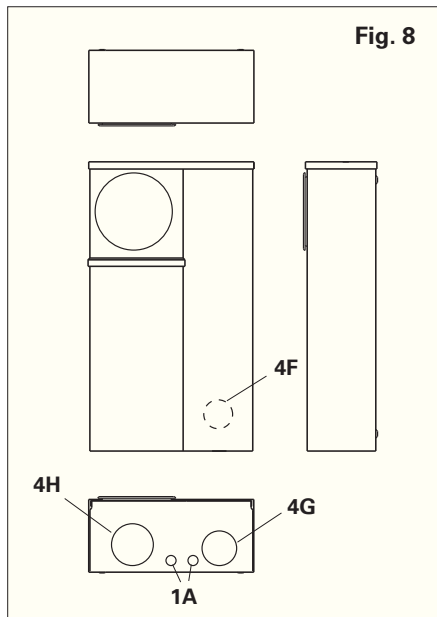
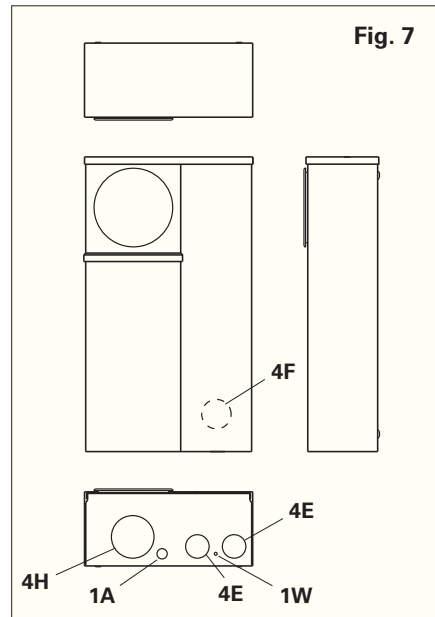
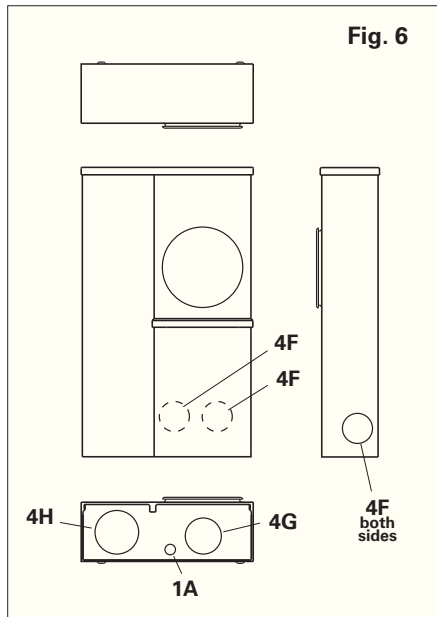
Meter Mains
Without Bypass

Style #	Suffixes
(U) 1M1R	F - Flush Mount
1M11R	MS20 - Ring Protector
1M211R	MS43 - No Breaker Included
(U) 2M2R	SS - Stainless Steel

Knockouts - Conduit Sizes

1A = 1/2"
 4D = 1 1/4" - 1" - 3/4" - 1/2"
 4E = 1 1/2" - 1 1/4" - 1" - 3/4"
 4F = 2" - 1 1/2" - 1 1/4" - 1"
 4G = 2 1/2" - 2" - 1 1/2" - 1 1/4"
 4H = 3" - 2 1/2" - 2" - 1 1/2"
 1W = 1/4"
 Top Provision = See Chart

Knockout Layouts



Meter Mains - Without Bypass

Breaker Data

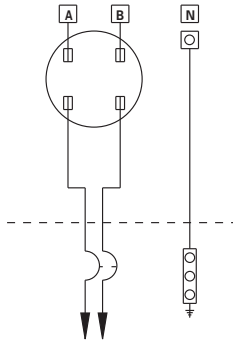
Breaker Data					
Catalog Number	B-Line Breaker #	ITE Breaker #	Ampacity	# of Poles	AIC
U1M1R	25458P	Q2100	100A	2P	10K
U1M1RP	25458P	Q2100	100A	2P	10K
U1M1R7	25460P	Q3100	100A	3P	10K
U2M2R	25508K	QJ22B200	200A	2P	10K
U2M25R	25508K	QJ22B200	200A	2P	10K
U2M11R	25458P	Q2100	100A	2P	10K
U2M2R7	25510K	QJ23B200	200A	3P	10K
U2M2RP	25508K	QJ22B200	200A	2P	10K
U2M211R	25508K	QJ22B200	200A	2P	10K

Meter Mains
Without Bypass

Data subject to change without notice. Consult local utility for area acceptance. All dimensions are in inches.

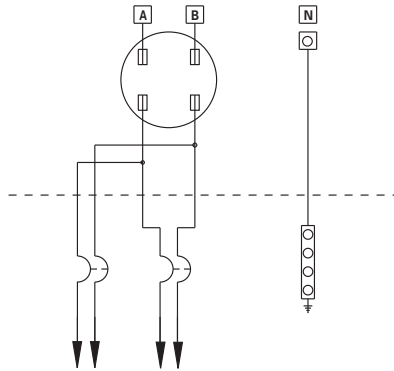
Meter Mains - Wiring Drawings

Meter Mains
Without Bypass



Catalog #

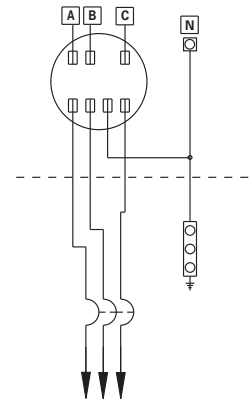
- 1M1RMS43LB
- 1M1RF
- 1M1R
- 2M2R/150
- 2M2RF
- 2M2R



The sum of disconnects ampere rating cannot exceed 125% of the continuous ampere rating of the socket.

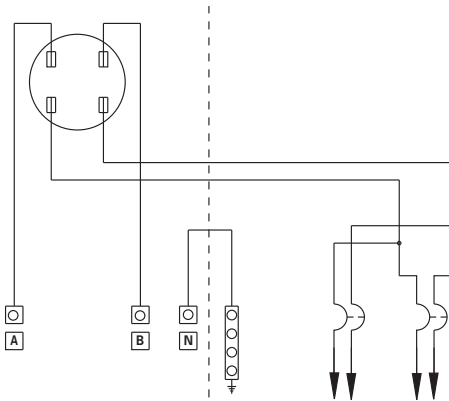
Catalog #

- 1M1RP
- 1M1RFP
- 2M25RP
- 2M25R
- 2M2RPF
- 2M2RP
- 2M11RF
- 2M11R



Catalog #

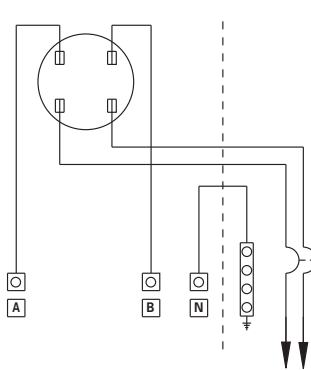
- 1M1R7MS43LB
- 1M1R7F
- 1M1R7
- 2M2R7F
- 2M2R7



The sum of disconnects ampere rating cannot exceed 125% of the continuous ampere rating of the socket.

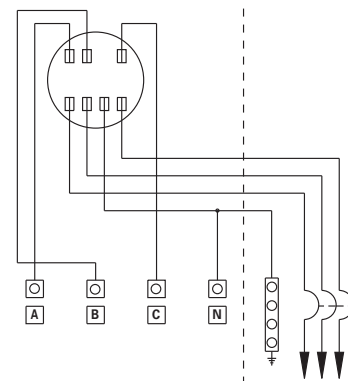
Catalog #

- U1M1RPF
- U1M1RP
- U2M25RF
- U2M25R
- U2M2RPF
- U2M2RP
- U2M11RF
- U2M11R



Catalog #

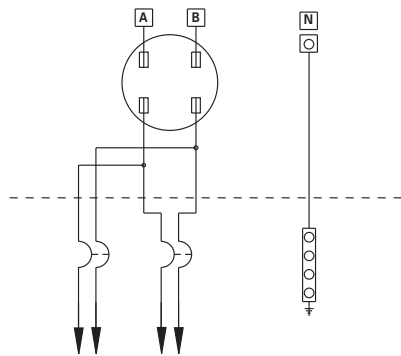
- U1M1RMS43LB
- U1M1RF
- U1M1R
- U2M2RF
- U2M2R



Catalog #

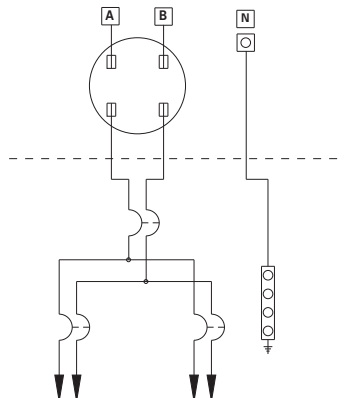
- U1M1R7MS43LB
- U1M1R7F
- U1M1R7
- U2M2R7F
- U2M2R7

Meter Mains - Wiring Drawings

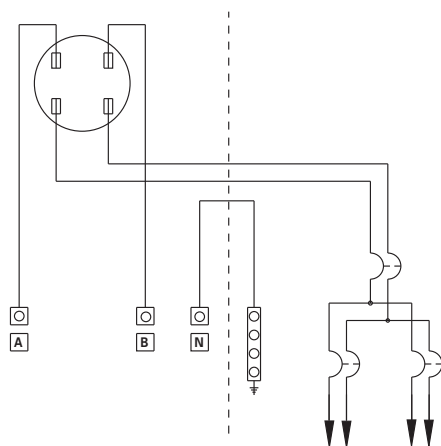


The sum of disconnects ampere rating cannot exceed 125% of the continuous ampere rating of the socket.

Catalog #
2M11RF
2M11R



Catalog #
2M211RF
2M211R



Catalog #
U2M211RF
U2M211R

**Meter Mains
 Without Bypass**